

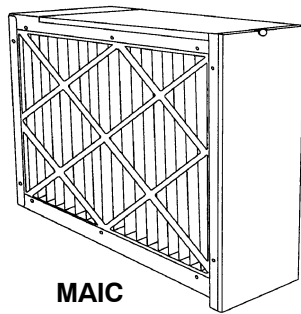
MAIC & FLIC Series Media Filter Cleaner



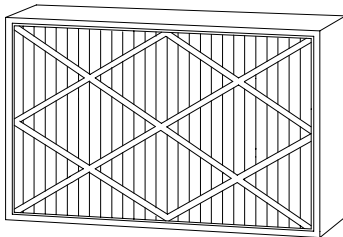
MAIC & FLIC MEDIA FILTER CLEANER

The **MAIC** Media Filter Cleaner cleans the air of dust, pollen, and smoke which helps keep homes cleaner and fresher longer.

The **FLIC** filter's Minimum Efficiency Reporting Value (MERV) is specified by ASHRAE Standard 52.2. It is based on lab tests to determine the filter's ability to trap particles. MERVs for residential filters will typically be in the range of MERV 1-10. The higher the value, the more efficient the filter. MERV 8 filters have a minimum of 70% particle collection efficiency in the 3-10 micron particle size range. (Human hair is approximately 50-100 microns in diameter.) Each filter reach a MERV 8.



MAIC



FLIC

Representative drawing only, some models may vary in appearance.

MAIC FEATURES:

EASY FILTER ACCESS

- Using the MAIC air cleaner allows the homeowners easy filter access. They will no longer have to go inside the furnace to access or change the filter.

IMPROVED INDOOR AIR QUALITY (IAQ)

- When using the high efficiency FLIC filter, the MAIC media cabinet provides homeowners with improved IAQ.

TROUBLE FREE INSTALLATION

- No electricity is required.

NEARLY MAINTENANCE FREE OPERATION

- The only maintenance required is replacing the media filter cartridge when needed - before each heating or cooling season or at least once a year, depending on conditions.

FLIC FEATURES:

LARGE DUST HOLDING CAPACITY

- These filters can accommodate between 20 and 31 sq. ft. of filter media into a unique low-pressure drop design - providing one of the largest dust holding capacities available in efficient residential air cleaners today.
- The FLIC has a high dust holding capacity. This increased the time between filter changes.
- The exceptionally large surface area traps dust, pollen, molds, tobacco smoke, grease, soot, bacteria, and animal dander to provide cleaner, fresher air that is free of airborne pollutants and irritants regardless of the season.

EXCEPTIONAL SYSTEM PERFORMANCE

- For optimum system performance use the MAIC with FLIC high efficiency media.

RESIDENTIAL AND COMMERCIAL SYSTEMS • SPLIT SYSTEMS • PACKAGED AIR CONDITIONERS
• COMBINATION GAS / ELECTRIC UNITS • HEAT PUMPS • AIR HANDLERS • MANUFACTURED
HOME AIR CONDITIONERS • GAS, OIL AND ELECTRIC FURNACES

770 61 1201 01

International Comfort Products
650 Heil-Quaker Avenue, Lewisburg, TN 37091

10/27/04

FLIC PHYSICAL DATA		
MODEL NUMBER	FLIC0014A	FLIC0020A
Rated Airflow Range	600 - 1600 CFM	600 - 2000 CFM
Minimum Efficiency Reporting Value (MERV)	8	8
Dust Holding Capacity (grams)	115	150
Atmospheric Dust Spot Efficiency	43.5%	41.2%
Typical Static Pressure Drop (in. wc.) (Clean@rated airflow)	<.25	<.25
Filter Media	Polyolefin	
Shipping Weight (2 pack)	6 lb	8 lb

PLEATED MEDIA FILTER	EFFICIENCY¹	DUST HOLDING CAPACITY²
16 in. (FLIC0014A)	E1: 19.8%	120.0g
	E2: 50.0%	
	E3: 72.7%	
20 in. (FLIC0020A)	E1: 19.8%	155.0g
	E2: 50.0%	
	E3: 72.7%	

Notes:

1. Minimum Efficiency Reporting Value (MERV) per ASHRAE 52.2 (Exceeds proposed ASHRAE 62.2p requirement for manufacturers to provide a filter with a MERV rating of at least 6.)

E1: MINIMUM Average Efficiency for particles sized between 0.3 and 1 micron.

E2: MINIMUM Average Efficiency for particles sized between 1 and 3 microns.

E3: MINIMUM Average Efficiency for particles sized between 3 and 10 microns. Reaches 98% efficiency for particles sized between 7 and 10 microns at 0.40-in. pressure drop.

2. At 0.5-in. pressure drop and 500FPM per ASHRAE 52.1. (Filter change is recommended at 0.5-in. pressure drop.)

REPLACEMENT FLIC FILTERS		
MODEL NUMBER	Media Area (Gross)	Dimensions (in.)
FLIC0014A	20.6 sq. ft.	24-3/4 x 15-5/8 x 4-5/16
FLIC0020A	26.1 sq. ft.	24-3/4 x 19-13/16 x 4-5/16

PRESSURE DROP AT VARIOUS AIRFLOWS (CLEAN)			
SIZE	Typical Factory Supplied Furnace/Fan Coil Filter	014 Typical	020 Typical
Airflow (CFM)	Resistance (inches of water) (Clean Filter)*		
600	0.015	0.04	0.03
800	0.02	0.07	0.04
1000	0.03	0.10	0.06
1200	0.035	0.14	0.08
1400	0.045	0.18	0.11
1600	0.055	0.23	0.13
1800	0.062	-	0.17
2000	0.07	-	0.18
2200	-	-	-

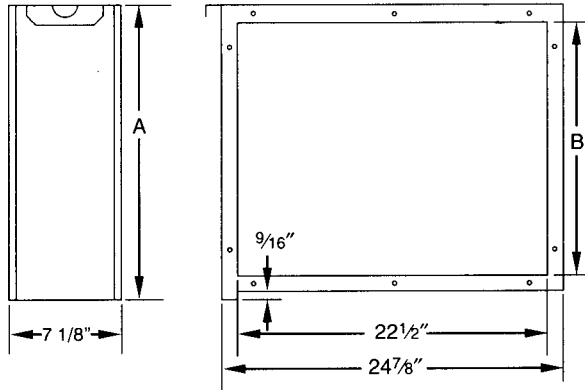
* Pressure drop tested with complete MAIC cabinet and FLIC filter.

NOTE: When applying the MAIC and FLIC, attention must be given to the duct and system design because all these components affect system static pressure. The FLIC has a higher static pressure drop than the typical factory supplied furnace and/or fan coil filter (as shown above), but is designed to ensure proper system efficiency and reliability when applied to a properly designed duct system and properly sized HVAC equipment.

MODEL NUMBER IDENTIFICATION GUIDE

MODEL NUMBER	MAIC	0	014	A	
PRODUCT FAMILY					Series
MAIC = Media Filter Cleaner					CFM
FLIC = Media Filter					014 = 600 to 1600 CFM
NO VOLTAGE					020 = 600 to 2000 CFM

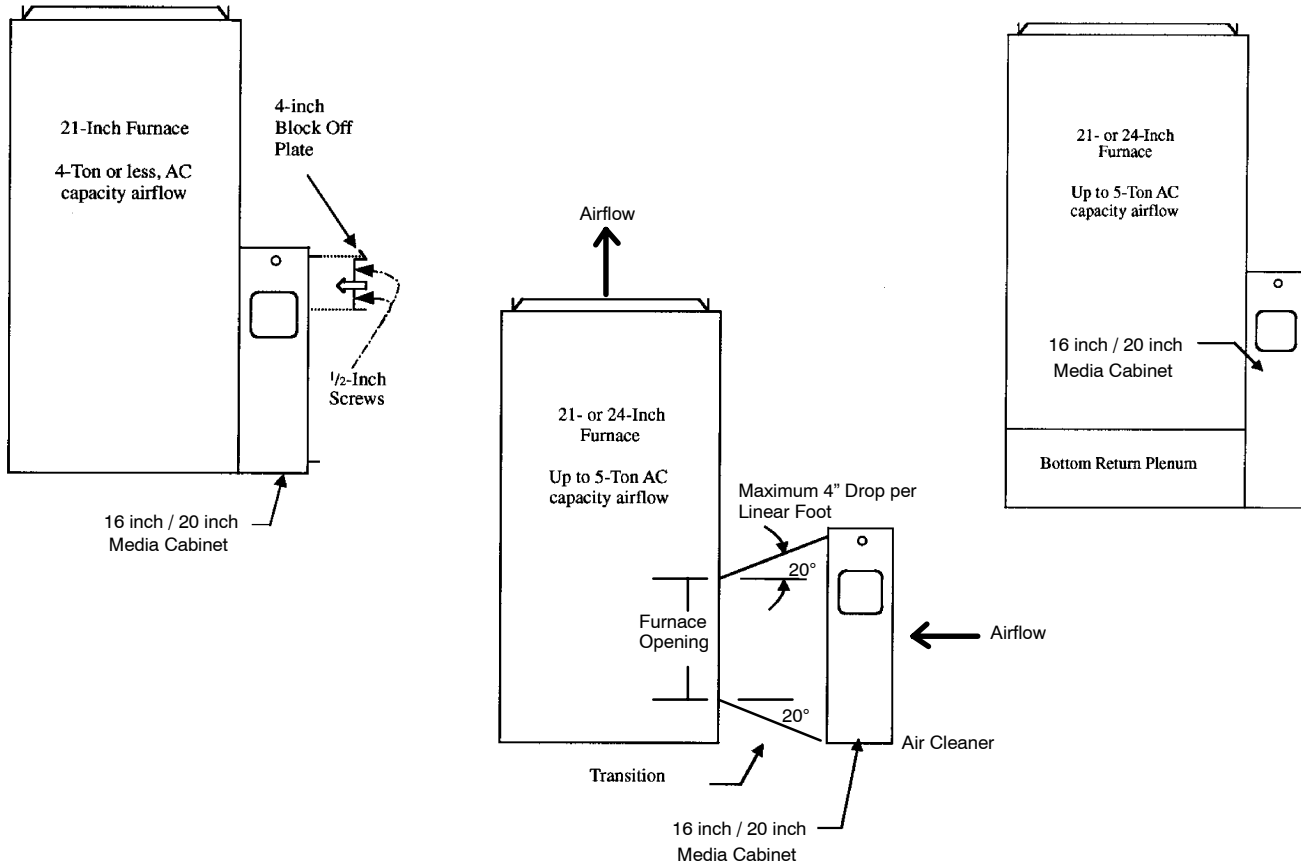
MAIC DIMENSIONS



Media Filter Cabinet	Opening A	Opening B
16"	16-3/8"	13-7/8"
20"	20-3/8"	17-7/8"

NOTES:

Typical Installations



TYPICAL FURNACE INSTALLATIONS

