

# FSA4X

## Product Specifications

### APARTMENT FAN COILS

**AVAILABLE WITH FACTORY INSTALLED 5, 7, & 11 kW ELECTRIC HEAT, or NO HEAT**

### R-410A SYSTEMS

**1-1/2 THRU 3 TONS**

#### FEATURES

- TXV metering device factory installed on all models
- Upflow only
- 22" (559mm) wide galvanized steel cabinet fits between studs (24" (610mm) stud spacing)
- All electrical and refrigerant lines enter through top of cabinet
- Service access through front of cabinet
- Primary and secondary drain fittings exit bottom, left, or right side of cabinet
- Replaceable Air filter factory supplied with all models
- Copper tube / aluminum fin coil
- Sweat connections
- 5 amp automotive type fuse on control board
- Time delay relay (TDR)
- Wall-hung kit available as accessory
- Decorative grille available as accessory
- Field installed electric heater packages from 5 kW – 11 kW available separately
- Units tested and certified by manufacturer to achieve a 2% or less leakage rate at 1.0 inch water column
- 208/230-1-60 supply voltage



Use of the AHRI Certified TM Mark indicates a manufacturer's participation in the program. For verification of certification for individual products, go to [www.ahridirectory.org](http://www.ahridirectory.org).



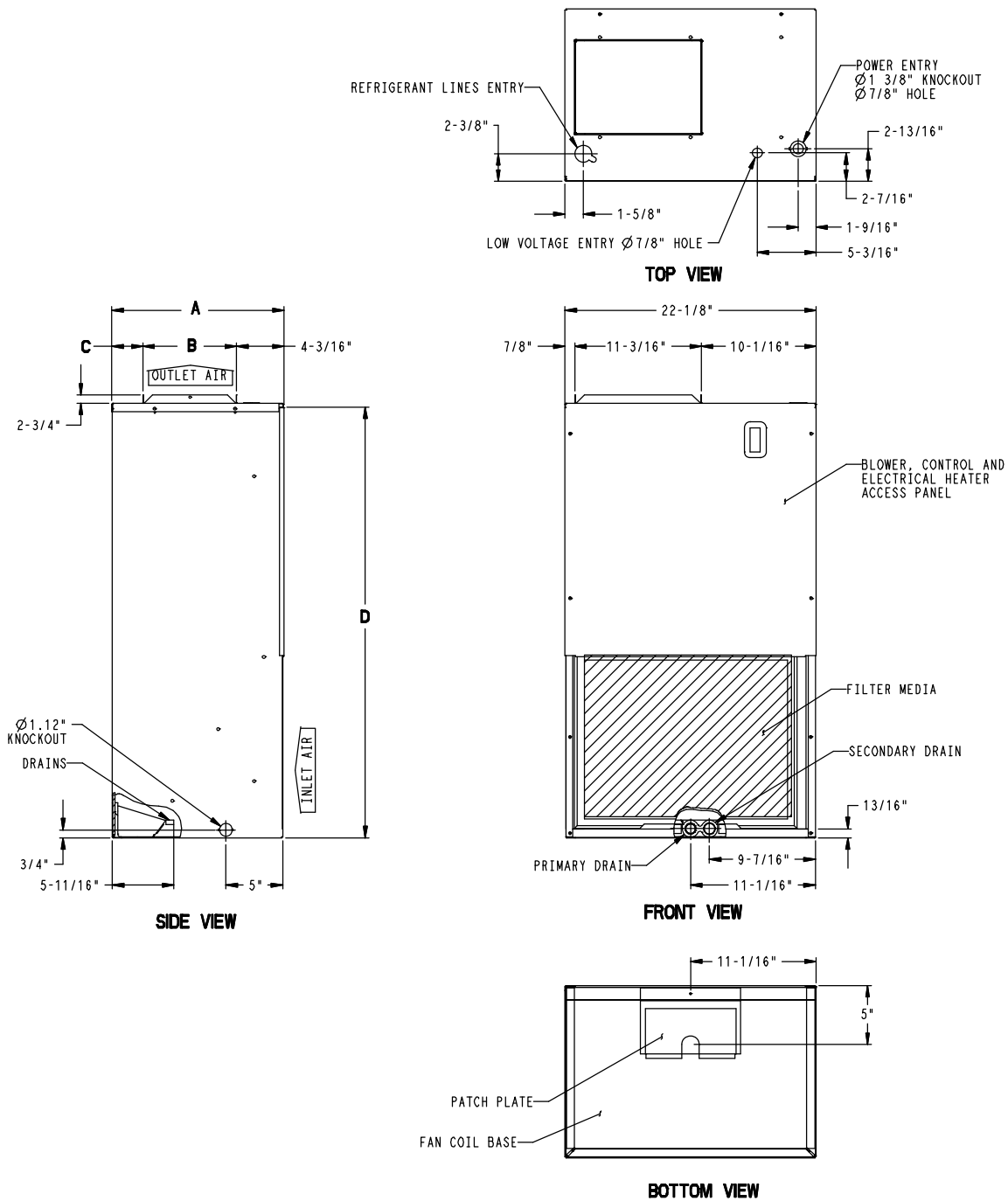
#### WARRANTY\*

- 5 year parts limited warranty
  - With timely registration, an additional 5 year parts limited warranty
- \* Applies to original purchaser/homeowner, some limitations may apply. See Warranty certificate for complete details.

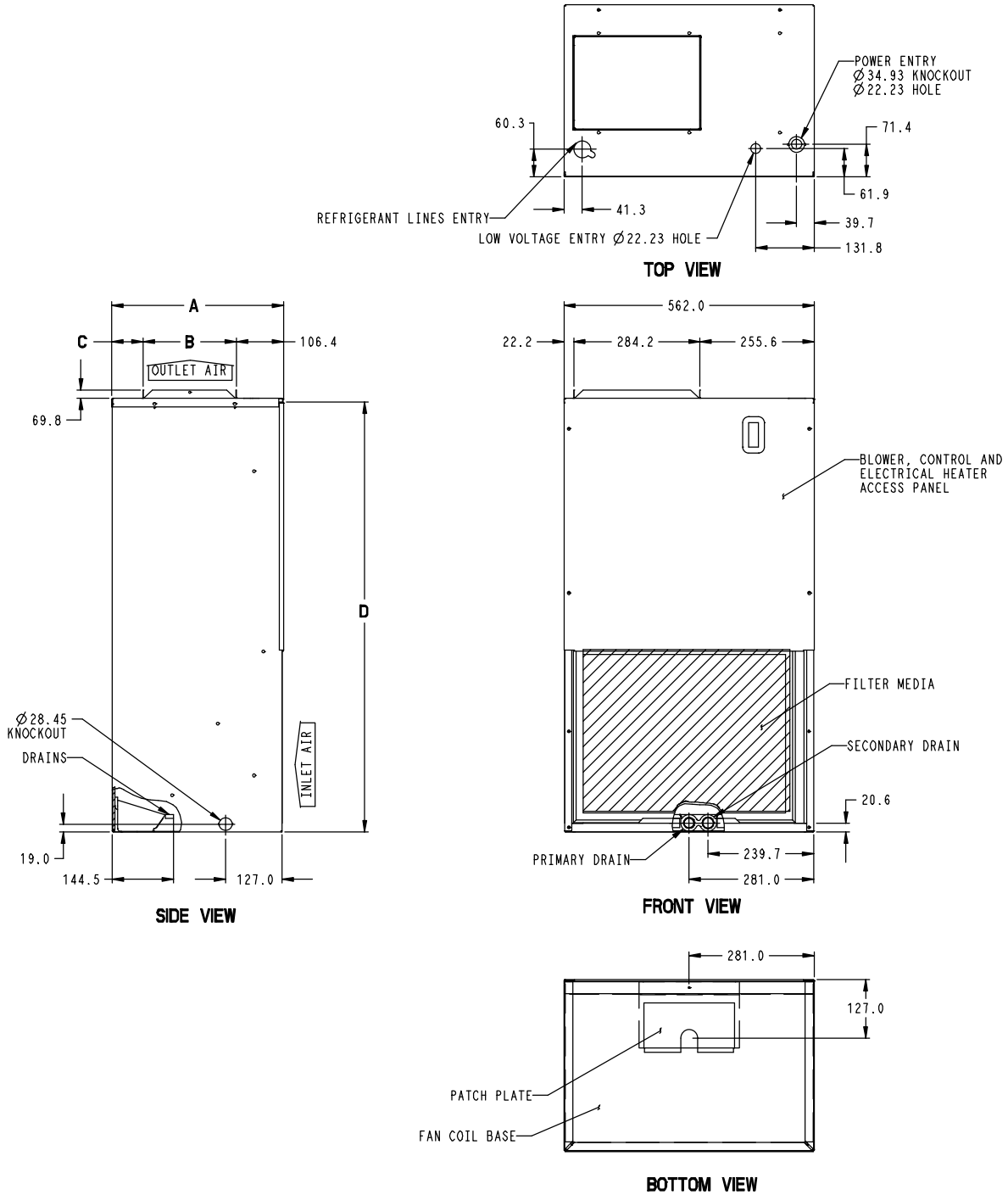
Model	Tons	Heat (kW)	Nom. CFM (L/s)	Dimensions H x W x D in. (mm)	Filter Size in. (mm)	Ship. Weight lbs. (kg)				
FSA4X1800A	1-1/2	none	600 (283)	38-1/16 x 22-1/8 x 15-3/16 (967 x 562 x 386)	16 x 20 x 1 (406 x 508 x 25)	85 (39)				
FSA4X1805A	1-1/2	5				90 (41)				
FSA4X1807A	1-1/2	7				90 (41)				
FSA4X1811A	1-1/2	11				90 (41)				
FSA4X2400A	2	none	800 (378)			38-1/16 x 22-1/8 x 15-3/16 (967 x 562 x 386)	16 x 20 x 1 (406 x 508 x 25)	87 (40)		
FSA4X2405A	2	5						92 (42)		
FSA4X2407A	2	7						92 (42)		
FSA4X2411A	2	11						92 (42)		
FSA4X3000A	2-1/2	none	1000 (472)					38-1/16 x 22-1/8 x 15-3/16 (967 x 562 x 386)	16 x 20 x 1 (406 x 508 x 25)	90 (41)
FSA4X3005A	2-1/2	5								95 (43)
FSA4X3007A	2-1/2	7								95 (43)
FSA4X3011A	2-1/2	11								95 (43)
FSA4X3600A	3	none	1200 (566)	43-3/16 x 22-1/8 x 18-3/8 (1097 x 562 x 467)	20 x 20 x 1 (508 x 508 x 25)					105 (48)
FSA4X3605A	3	5								110 (50)
FSA4X3607A	3	7								110 (50)
FSA4X3611A	3	11								110 (50)

<b>FAN COIL MODEL NUMBER IDENTIFICATION GUIDE</b>										
			<b>F</b>	<b>S</b>	<b>A</b>	<b>4</b>	<b>X</b>	<b>18**</b>	<b>A</b>	<b>1</b>
F = Fan Coil										
S = Standard PSC			<b>MOTOR TYPE</b>							
A = Apartment			<b>INSTALLATION TYPE</b>							
4 = R-410A						<b>REFRIGERANT</b>				
X = TXV						<b>METERING DEVICE</b>				
18** = 18,000 BTUH = 1-1/2 tons						** = 00 no electric heat				
24** = 24,000 BTUH = 2 tons						** = 05, 07, or 11 kW electric heat (factory installed)				
30** = 30,000 BTUH = 2-1/2 tons										
36** = 36,000 BTUH = 3 tons									<b>NOMINAL CAPACITY</b>	
Sales Code										
Engineering Revision										

<b>ACCESSORY MODEL NUMBER IDENTIFICATION GUIDE</b>										
			<b>A</b>	<b>M</b>	<b>WK</b>	<b>001</b>	<b>CK</b>	<b>A</b>	<b>1</b>	
A = Accessory										
C = Cooling										
H = Heating										
M = Multi-use (Cooling and/or Heating)										
X = Special			<b>PRODUCT TYPE</b>							
Series										
Product Identifier										
Product Identifier (see below)										
Sales Code										
Engineering Revision										
<b>Product Identifier Codes</b>										
AH = Auxiliary Heater			MK = Wall Mounting Brackets Kit							
CK = Cooling Control Kit			WG = Louvered Wall Panel with Frame							



DIMENSIONAL DATA Inches (English)				
Model Size	A	B	C	D
FSA4X18	15-3/16	8-1/4	2-3/4	38-1/16
FSA4X24	15-3/16	8-1/4	2-3/4	38-1/16
FSA4X30	15-3/16	8-1/4	2-3/4	38-1/16
FSA4X36	18-3/8	9-1/4	5	43-3/16



**DIMENSIONAL DATA MM (SI Metric)**

Model Size	A	B	C	D
FSA4X18	386	210	70	967
FSA4X24	386	210	70	967
FSA4X30	386	210	70	967
FSA4X36	467	235	127	1097

PHYSICAL DATA				
Model Size	FSA4X18*	FSA4X24*	FSA4X30*	FSA4X36*
<b>TXV factory installed, hard shut-off, bi-flow type for heat pump application</b>				
FSA4X TXV Size	2 ton			3 ton
<b>Blower Data (direct drive, 10" dia x 6" wide blower wheel)</b>				
CFM [nominal] (L/s)	600 (283)	800 (378)	1000 (472)	1200 (566)
Motor type	2-speed, PSC (Permanent Split Capacitor)			
HP	1/5	1/5	1/3	1/3
<b>Filter Data (replaceable filter factory supplied with unit)</b>				
Filter Size in. (mm)	16 x 20 x 1 (406 x 508 x 25)			20 x 20 x 1 (1097 x 562 x 467)
<b>Coil Data (all coils Slope type, 3 rows, 14½ fins per inch, wavy lanced bare aluminum fin)</b>				
face area ft² (m²)	2.25 (0.21)	2.75 (0.26)		3.47 (0.32)
<b>Connections</b>				
Refrigerant Liquid in. (mm)	3/8 (10) sweat			
Refrigerant Suction in. (mm)	3/4 (19) sweat			
Condensate Drain in. (mm)	3/4 (19) female NPT, Primary and Secondary			

ELECTRICAL DATA					
208 / 230V, single phase, 60 Hz					
Model	Motor Full Load Amps (FLA)	Factory Installed Heater Model	Heater Amps 208V / 230V	Minimum Circuit Ampacity (MCA) 208V / 230V	Maximum Fuse/Circuit Breaker Amps (MOCP) 208V / 230V
FSA4X1800	1.5	none	0	2.5	15
FSA4X1805	1.5	MAMWK005AH	18.1 / 20.0	24.5 / 26.9	25 / 30
FSA4X1807	1.5	MAMWK007AH	27.1 / 30.0	35.8 / 39.4	40 / 40
FSA4X1811	1.5	MAMWK011AH	39.8 / 44.0	51.6 / 56.9	60 / 60
FSA4X2400	1.5	none	0	2.5	15
FSA4X2405	1.5	MAMWK005AH	18.1 / 20.0	24.5 / 26.9	25 / 30
FSA4X2407	1.5	MAMWK007AH	27.1 / 30.0	35.8 / 39.4	40 / 40
FSA4X2411	1.5	MAMWK011AH	39.8 / 44.0	51.6 / 56.9	60 / 60
FSA4X3000	1.9	none	0	2.5	15
FSA4X3005	1.9	MAMWK005AH	18.1 / 20.0	25.0 / 27.4	30 / 30
FSA4X3007	1.9	MAMWK007AH	27.1 / 30.0	36.3 / 39.9	40 / 40
FSA4X3011	1.9	MAMWK011AH	39.8 / 44.0	52.1 / 57.4	60 / 60
FSA4X3600	2.0	none	0	2.5	15
FSA4X3605	2.0	MAMWK005AH	18.1 / 20.0	25.1 / 27.5	30 / 30
FSA4X3607	2.0	MAMWK007AH	27.1 / 30.0	36.4 / 40.0	40 / 40
FSA4X3611	2.0	MAMWK011AH	39.8 / 44.0	52.3 / 57.5	60 / 60

AIRFLOW PERFORMANCE - CFM at a given Speed and Static reading							
Model Size	Blower Speed	Measured Static Pressure, inlet to outlet (inches water column)					
		0.10	0.20	0.30	0.40	0.50	0.60
FSA4X18	High	995	955	910	862	811	-
	Low	738	711	678	641	600	-
FSA4X24	High	950	908	861	810	754	693
	Low	732	699	662	621	576	527
FSA4X30	High	1128	1082	1030	973	911	845
	Low	1053	1011	964	911	854	791
FSA4X36	High	1408	1355	1295	1227	1152	1068
	Low	1191	1157	1113	1061	1000	931

NOTES:

1. Airflow based on dry coil at 230V with factory approved filter and 2 element electric heater.
2. Not recommended for use above 0.60 inches water column external static pressure.
3. Shaded cells indicate airflow is greater than 450 CFM per ton.

**STATIC PRESSURE CORRECTION FROM DRY TO WET COIL (inches of water column)**

AIRFLOW PERFORMANCE chart was developed using fan coils with DRY coils.  
 When taking a static reading across a WET coil, adjust the static pressure numbers in the AIRFLOW PERFORMANCE chart by **adding** the values in this table.

Model Size	CFM								
	500	600	700	800	900	1000	1100	1200	1300
FSA4X18	.034	.049	.063	-	-	-	-	-	-
FSA4X24	.021	.033	.045	.056	.068	-	-	-	-
FSA4X30	-	-	-	.056	.068	.079	.090	-	-
FSA4X36	-	-	-	-	-	.055	.064	.073	.081

**STATIC PRESSURE CORRECTION FOR ELECTRIC HEATERS (inches of water column)**

AIRFLOW PERFORMANCE chart was developed using fan coils with 2-element electric heaters (7.5 kW or 11 kW).  
 When using a 1-element electric heater (5 kW), or no electric heater, adjust the static pressure numbers in the AIRFLOW PERFORMANCE chart by **subtracting** the values in this table.

Electric Heater	CFM								
	500	600	700	800	900	1000	1100	1200	1300
none	.012	.018	.028	.050	.075	.100	.130	-	-
5 kW	.002	.003	.003	.015	.020	.030	.050	-	-

**ELECTRIC HEATERS**

Part Number	Description	Heating Capacity (Btuh)	
		208V	230V
AMWK005AH	5 kW, single phase, 208 / 230V, 60 Hz	14,300	17,200
AMWK007AH	7 kW, single phase, 208 / 230V, 60 Hz	20,700	25,000
AMWK011AH	11 kW, single phase, 208 / 230V, 60 Hz	29,700	36,000

**ACCESSORIES**

Description	Part Number
Cooling Control Kit	AMWK001CK
Louvered Wall Panel (Decorative Grille) with Frame for model sizes 18, 24, 30 (package of 6)	AMWK001WG
Louvered Wall Panel (Decorative Grille) with Frame for model size 36 (package of 6)	AMWK002WG
Wall Mounting (Suspended) Brackets Kit	AMWK001MK