



### 13 SEER PACKAGE AIR CONDITIONER, 2 to 5 TONS

Single Phase, 208/230 V, 60 Hz



#### REFRIGERATION CIRCUIT

- Environmentally sound R-410A refrigerant
- Scroll compressor standard on all models
- Copper tube/aluminum fin condenser and evaporator coils
- Dehumidification mode (airflow reduction) on all models

#### EASY TO INSTALL AND SERVICE

- Installs easily on a rooftop or at ground level
- Easy three-panel accessibility for maintenance and installation
- Easily converts to down discharge applications

#### BUILT TO LAST

- Pre-painted steel cabinet
- High efficiency ECM indoor blower motor on all models
- Hail guard (3/8" spacing) wire grilles standard on PAD3\*\*000KTP models (2" spacing wire grilles on non-tin models)
- Vertical condenser fan discharge
- Full perimeter steel base rails
- High and Low pressure switches provide added reliability for the compressor
- All models available with optional factory installed tin-coated copper evaporator coil (These models are identified with letters TP in the 11th and 12th positions in the model number)

#### WARRANTY\*

- 1 year No Hassle Replacement limited warranty for models with tin coated copper evaporator coils
- 5 year parts limited warranty (including compressor and coils)
  - With timely registration, an additional 5 year parts limited warranty (including compressor and coils)

\*Applies to original purchaser/homeowner, some limitations may apply. See warranty certificate for complete details.



Use of the AHRI Certified TM Mark indicates a manufacturer's participation in the program. For verification of certification for individual products, go to [www.ahridirectory.org](http://www.ahridirectory.org).

#### UNIT PERFORMANCE DATA

Model Number	COOLING			Unit Dimensions Height x Width x Depth in (mm)	Operating Weight lbs (kg)
	Capacity BTU/h	SEER	EER		
PAD324000K000C	23,000	13.2	11.0	40x48 <sup>3</sup> / <sub>16</sub> x32 <sup>5</sup> / <sub>8</sub> (1016x1224x829)	272 (123)
PAD324000KTP0C	23,000	13.2	11.0	40x48 <sup>3</sup> / <sub>16</sub> x32 <sup>5</sup> / <sub>8</sub> (1016x1224x829)	272 (123)
PAD330000K000C	28,600	13.5	11.2	42x48 <sup>3</sup> / <sub>16</sub> x32 <sup>5</sup> / <sub>8</sub> (1067x1224x829)	277 (125)
PAD330000KTP0C	28,600	13.5	11.2	42x48 <sup>3</sup> / <sub>16</sub> x32 <sup>5</sup> / <sub>8</sub> (1067x1224x829)	277 (125)
PAD336000K000C	34,400	13.0	11.0	46x48 <sup>3</sup> / <sub>16</sub> x32 <sup>5</sup> / <sub>8</sub> (1168x1224x829)	283 (128)
PAD336000KTP0C	34,400	13.0	11.0	46x48 <sup>3</sup> / <sub>16</sub> x32 <sup>5</sup> / <sub>8</sub> (1168x1224x829)	283 (128)
PAD342000K000C	40,500	13.2	11.2	40x48 <sup>3</sup> / <sub>16</sub> x44 <sup>1</sup> / <sub>8</sub> (1016x1224x1123)	369 (167)
PAD342000KTP0C	40,500	13.2	11.2	40x48 <sup>3</sup> / <sub>16</sub> x44 <sup>1</sup> / <sub>8</sub> (1016x1224x1123)	369 (167)
PAD348000K000C	46,500	13.2	11.2	42x48 <sup>3</sup> / <sub>16</sub> x44 <sup>1</sup> / <sub>8</sub> (1067x1224x1123)	375 (170)
PAD348000KTP0C	46,500	13.2	11.2	42x48 <sup>3</sup> / <sub>16</sub> x44 <sup>1</sup> / <sub>8</sub> (1067x1224x1123)	375 (170)
PAD360000K000C	57,000	13.4	11.0	42x48 <sup>3</sup> / <sub>16</sub> x44 <sup>1</sup> / <sub>8</sub> (1067x1224x1123)	397 (180)
PAD360000KTP0C	57,000	13.4	11.0	42x48 <sup>3</sup> / <sub>16</sub> x44 <sup>1</sup> / <sub>8</sub> (1067x1224x1123)	397 (180)

MODEL NOMENCLATURE											
MODEL SERIES	1	2	3	4	5,6	7,8,9	10	11,12	13	14	15
	P	A	D	3	36	000	K	00	0	C	1
P = Package											
A = Air Conditioner											
D = Standard											
3 = 13											
4 = 14											
5 = 15											
24 = 24,000 BTUH = 2 Tons											
30 = 30,000 BTUH = 2.5 Tons											
36 = 36,000 BTUH = 3 Tons											
42 = 42,000 BTUH = 3.5 Tons											
48 = 48,000 BTUH = 4 Tons											
60 = 60,000 BTUH = 5 Tons											
TIER											
SEER											
NOMINAL COOLING CAPACITY											
000 = no factory heat											
NOMINAL HEATING BTUH (input)											
K = 208/230-1-60											
VOLTAGE											
00 = No options											
TP = Tin Plated Evaporator Main Tubes											
FACTORY INSTALLED OPTIONS											
0 = Standard											
FEATURE CODE											
Sales Model Digit											
Engineering Digit											

## AHRI\* CAPACITIES

COOLING CAPACITIES AND EFFICIENCIES					
UNIT PAD3	NOMINAL TONS	STANDARD CFM	NET COOLING CAPACITIES (Btuh)	EER**	SEER†
24	2	800	23,000	11.0	13.2
30	2-1/2	1000	28,600	11.2	13.5
36	3	1200	34,400	11.0	13.0
42	3-1/2	1400	40,500	11.2	13.2
48	4	1600	46,500	11.2	13.2
60	5	1750	57,000	11.0	13.4

### LEGEND

dB – Sound Levels (decibels)

db – Dry Bulb

SEER – Seasonal Energy Efficiency Ratio

wb – Wet Bulb

COP – Coefficient of Performance

\* Air Conditioning, Heating & Refrigeration Institute.

\*\*At 'A' conditions—80°F (26.7°C) indoor db/67°F (19.4°C) indoor wb & 95°F (35°C) outdoor db.

† Rated in accordance with U.S. Government DOE (Department of Energy) test procedures and/or AHRI Standards 210/240-08.

### Notes:

1. Ratings are net values, reflecting the effects of circulating fan heat.

Ratings are based on:

**Cooling Standard:** 80°F (26.7°C) db, 67°F wb (19.4°C) indoor entering-air temperature and 95°F db (35°C) outdoor entering-air temperature.

2. Before purchasing this appliance, read important energy cost and efficiency information available from your retailer.

**ELECTRICAL DATA PAD3**

UNIT	NOMINAL V-PH-HZ	VOLTAGE RANGE		COMPRESSOR		OFM	IFM	ELECTRIC HEAT			POWER SUPPLY		
		MIN	MAX	RLA	LRA	FLA	FLA	NOMINAL kW 208v/230v	FLA		MCA		MOCP ** 208v/230v
									208	230	208	230	
PAD324	208/230-1-60	197	253	12.8	58.3	1.2	4.1	-/-	-	-	21.3	21.3	30
								3.8/5	18.1	20.8	27.8	31.1	30/35
								5.4/7.2	25.9	30.0	37.5	42.6	40/45
								7.5/10	36.1	41.7	50.3	57.3	60/60
PAD330	208/230-1-60	197	253	12.8	64.0	1.2	4.1	-/-	-	-	21.3	21.3	30
								3.8/5	18.1	20.8	27.8	31.1	30/35
								5.4/7.2	25.9	30.0	37.5	42.6	40/45
								7.5/10	36.1	41.7	50.3	57.3	60/60
PAD336	208/230-1-60	197	253	16.7	79.0	1.2	6.0	-/-	-	-	28.0	28.0	40
								3.8/5	18.1	20.8	30.1	33.5	40/40
								5.4/7.2	25.9	30.0	39.9	45.0	40/45
								7.5/10	36.1	41.7	52.6	59.6	60/60
PAD342	208/230-1-60	197	253	17.9	112.0	1.2	6.0	-/-	-	-	29.6	29.6	40
								3.8/5	18.1	20.8	30.1	33.5	40/40
								5.4/7.2	25.9	30.0	39.9	45.0	40/45
								7.5/10	36.1	41.7	52.6	59.6	60/60
PAD348	208/230-1-60	197	253	21.8	117.0	1.2	7.6	-/-	-	-	36.0	36.0	50
								3.8/5	18.1	20.8	36.0	36.0	50/50
								5.4/7.2	25.9	30.0	41.9	47.0	50/50
								7.5/10	36.1	41.7	54.6	61.6	60/70
PAD360	208/230-1-60	197	253	26.4	134.0	1.2	7.6	-/-	-	-	41.8	41.8	60
								3.8/5	18.1	20.8	41.8	41.8	60/60
								5.4/7.2	25.9	30.0	41.9	47.0	60/60
								7.5/10	36.1	41.7	54.6	61.6	60/70
								11.3/15	54.2	62.5	77.3	87.6	80/90
								15/20	72.2	83.3	99.8	113.6	100/125

\* kW @ 208/240

\*\* FUSE OR CIRCUIT BREAKER

\*\* FUSE OR CIRCUIT BREAKER

LEGEND

FLA = Full Load Amps

LRA = Locked Rotor Amps

MCA = Minimum Circuit Ampacity

MOCP = Maximum Overcurrent Protection

RLA = Rated Load Amps

1. In compliance with NEC (National Electrical Code) requirements for multimotor and combination load equipment (refer to NEC Articles 430 and 440), the overcurrent protective device for the unit shall be Power Supply fuse. The CGA (Canadian Gas Association) units may be fuse or circuit breaker.

2. Minimum wire size is based on 60 C copper wire. If other than 60 C wire is used, or if length exceeds wire length in table, determine size from NEC.



UNIT SPECIFICATIONS – UNIT PAD3							
UNIT SIZE		24	30	36	42	48	60
NOMINAL CAPACITY (ton)		2	2-1/2	3	3-1/2	4	5
SHIPPING WEIGHT lb.		279	284	290	378	384	406
SHIPPING WEIGHT (kg)		127	129	132	171	174	184
COMPRESSORS		Scroll					
Quantity		1					
REFRIGERANT (R-410A)	Quantity lb	4.8	6.2	6.4	6.1	6.4	10.0
	Quantity (kg)	2.2	2.8	2.9	2.7	2.9	4.5
REFRIGERANT METERING DEVICE		TXV					
OUTDOOR COIL	Rows...Fins/in.	1...21	1...21	1...21	1...21	1...21	2...21
	Face Area (sq ft)	10.2	11.9	15.4	13.6	15.5	15.5
OUTDOOR FAN	Nominal Cfm	2800	3000	3200	3600	4000	3200
	Diameter in.	24	24	24	26	26	26
	Diameter (mm)	610	610	610	660	660	660
	Motor Hp (Rpm)	1/5 (810)	1/5 (810)	1/5 (810)	1/5 (810)	1/5 (810)	1/5 (810)
INDOOR COIL	Rows...Fins/in.	2...17	3...17	3...17	3...17	3...17	3...17
	Face Area (sq ft)	3.7	3.7	3.7	4.7	4.7	5.7
INDOOR BLOWER	Nominal Cooling Airflow (Cfm)	800	1000	1200	1400	1600	1750
	Size in.	10x10	10x10	11x10	11x10	11x10	11x10
	Size (mm.)	254x254	254x254	279.4x254	279.4x254	279.4x254	279.4x254
	Motor HP (RPM)	1/2 (1050)	1/2 (1050)	3/4 (1000)	3/4 (1075)	1.0 (1075)	1.0 (1040)
HIGH-PRESSURE SWITCH	(psig) Cut-out	650 +/- 15					
	Reset (auto)	420 +/- 25					
LOSS-OF-CHARGE/ LOW-PRESSURE SWITCH (Liquid Line) (psig)	Cut-out	20 +/- 5					
	Reset (auto)	45 +/- 10					
RETURN-AIR FILTERS†‡	Throwaway Size in.	20x20x1	20x24x1	24x30x1	24x36x1		
	Throwaway Size mm	508x508x25	508x610x25	610x762x25	610x914x25		

† Required filter sizes shown are based on the larger of the AHRI (Air Conditioning and Refrigeration Institute) rated cooling airflow or the heating airflow velocity of 300 ft/minute for throwaway type or 450 ft/minute for high-capacity type. Air filter pressure drop for non-standard filters must not exceed 0.08 in. W.C.

‡ If using accessory filter rack refer to the filter rack installation instructions for correct filter sizes and quantity.

DRY COIL AIR DELIVERY* — HORIZONTAL AND DOWNFLOW DISCHARGE (CFM)												
UNIT	MOTOR SPEED	WIRE COLOR		0.1	0.2	0.3	0.4	0.5	0.6	0.7	0.8	0.9
PAD324	Low	Blue	CFM	754	650	538	429	---	---	---	---	---
	Med-Low	Pink	CFM	851	777	675	591	475	---	---	---	---
	Medium <sup>1</sup>	Red	CFM	941	851	774	684	576	479	---	---	---
	Med-High	Orange	CFM	1009	917	840	759	667	577	447	---	---
PAD330	High	Black	CFM	1241	1167	1111	1036	969	881	818	731	640
	Low	Blue	CFM	741	638	547	415	---	---	---	---	---
	Med-Low	Pink	CFM	973	887	823	733	665	538	451	---	---
	Medium	Red	CFM	1088	1023	954	881	800	723	658	563	461
PAD336	Med-High <sup>1</sup>	Orange	CFM	1140	1064	996	915	840	758	687	564	480
	High	Black	CFM	1202	1140	1082	1015	961	881	810	732	631
	Low	Blue	CFM	1234	1168	1093	1021	961	894	825	759	687
	Med-Low	Pink	CFM	1290	1223	1154	1090	1027	977	894	828	762
PAD342	Medium <sup>1</sup>	Red	CFM	1354	1290	1226	1158	1102	1046	981	918	843
	Med-High	Orange	CFM	1606	1546	1489	1430	1371	1316	1258	1208	1140
	High	Black	CFM	1630	1580	1517	1463	1407	1339	1277	1210	1131
	Low	Blue	CFM	1295	1234	1182	1126	1075	1016	955	898	857
PAD348	Med-Low	Pink	CFM	1345	1282	1235	1194	1140	1095	1027	974	921
	Medium	Red	CFM	1505	1452	1413	1358	1323	1282	1234	1169	1130
	Med-High <sup>1</sup>	Orange	CFM	1545	1492	1449	1411	1362	1313	1278	1231	1188
	High	Black	CFM	1705	1643	1607	1568	1518	1483	1448	1404	1360
PAD360	Low	Blue	CFM	1402	1351	1311	1263	1224	1172	1136	1080	1041
	Med-Low	Pink	CFM	1457	1404	1367	1318	1284	1233	1197	1144	1104
	Medium <sup>1</sup>	Red	CFM	1736	1695	1642	1601	1553	1512	1465	1427	1381
	Med-High	Orange	CFM	2149	2111	2062	2026	1980	1945	1905	1864	1793
PAD360	High	Black	CFM	2344	2306	2259	2203	2141	2070	1991	1902	1803
	Med-Low	Pink	CFM	1678	1635	1602	1558	1513	1474	1438	1404	1349
	Medium <sup>1</sup>	Red	CFM	1962	1915	1880	1843	1794	1753	1711	1675	1628
	Med-High	Orange	CFM	2131	2088	2065	2013	1982	1941	1888	1860	1785
High	Black	CFM	2461	2409	2339	2286	2192	2140	2062	1968	1874	

\* Air delivery values are without air filter and are for dry coil (See PAD3-A Horizontal Wet Coil Pressure Drop table).

<sup>1</sup> Factory-shipped cooling speed

Note: For horizontal applications deduct field-supplied air filter pressure drop and wet coil pressure drop to obtain external static pressure available for ducting. For downflow applications see Wet Coil Air Delivery Downflow-Height Speed with 1-in Filter and Economizer Table for available static including wet coil, 1-in. filter and economizer.

Shaded areas indicate airflows that are not recommended for dehumidification control.

HORIZONTAL WET COIL PRESSURE DROP (in wc)															
UNIT-PAD3	STANDARD CFM (S.C.F.M.)														
	600	700	800	900	1000	1100	1200	1300	1400	1500	1600	1700	1800	1900	2000
24	0.030	0.037	0.044	0.053	0.063	-	-	-	-	-	-	-	-	-	-
30	-	0.037	0.044	0.053	0.063	0.072	0.081	0.105	-	-	-	-	-	-	-
36	-	-	-	0.055	0.060	0.090	0.100	0.110	0.140	-	-	-	-	-	-
42	-	-	-	-	0.045	0.050	0.060	0.065	0.075	0.080	0.090	0.094	0.110	-	-
48	-	-	-	-	-	-	0.041	0.063	0.085	0.100	0.104	0.110	0.120	0.130	-
60	-	-	-	-	-	-	-	-	-	0.060	0.065	0.072	0.077	0.085	0.100

DOWNFLOW WET COIL AIR DELIVERY (CFM) – HIGH SPEED WITH 1-IN. (25 MM) FILTER AND ECONOMIZER											
UNIT PAD3	EXTERNAL STATIC PRESSURE (in wc)										
	0.1	0.2	0.3	0.4	0.5	0.6	0.7	0.8	0.9	1.0	
36	1333	1289	1256	1214	1152	1118	1076	1035	997	950	
42	1612	1569	1527	1481	1451	1393	1351	1317	1278	1242	
48	2166	2085	2002	1919	1798	1709	1582	1467	1270	988	
60	2298	2239	2180	2110	2044	1951	1862	1777	1697	1591	

FILTER PRESSURE DROP TABLE (in wc) PAD3																			
FILTER SIZE in. (mm)	CFM																		
	500	600	700	800	900	1000	1100	1200	1300	1400	1500	1600	1700	1800	1900	2000	2100	2200	2300
20X20X1 (508X508X25)	0.05	0.07	0.08	0.1	0.12	0.13	0.14	0.15	-	-	-	-	-	-	-	-	-	-	-
20X24X1 (508X610X25)	-	-	-	.09	.10	.11	.13	.14	.15	.16	-	-	-	-	-	-	-	-	-
24X30X1 (610X762X25)	-	-	-	0.04	0.05	0.06	0.07	0.07	0.08	0.09	0.1	-	-	-	-	-	-	-	-
24X36X1 (610X914X25)	-	-	-	-	-	-	-	0.06	0.07	0.07	0.08	0.09	0.09	0.10	0.11	0.12	0.13	0.14	0.14

ECONOMIZER 1-IN. (25 MM) FILTER PRESSURE DROP (in wc)	
UNIT PAD	PRESSURE DROP
24-36	0.20
42-60	0.25

MULTIPLICATION FACTORS		
HEATER kW RATING	VOLTAGE DISTRIBUTION V/3/60	MULTIPLICATION FACTOR
240	200	0.69
	208	0.75
	230	0.92
	240	1.00

### ELECTRIC HEAT PRESSURE DROP TABLES (in wc)

SMALL CABINET: PAD324-36												
	500	600	700	800	900	1000	1100	1200	1300	1400	1500	1600
5kw	0.00	0.00	0.00	0.00	0.00	0.00	0.00	0.00	0.02	0.04	0.06	0.07
7.5 kw	0.00	0.00	0.00	0.00	0.00	0.00	0.00	0.02	0.03	0.05	0.07	0.09
10 kw	0.00	0.00	0.00	0.00	0.00	0.00	0.02	0.04	0.06	0.07	0.09	0.11
15 kw	0.00	0.00	0.00	0.00	0.02	0.04	0.06	0.08	0.10	0.12	0.14	0.18

LARGE CABINET: PAD342-60															
	1100	1200	1300	1400	1500	1600	1700	1800	1900	2000	2100	2200	2300	2400	2500
5kw	0.00	0.00	0.00	0.01	0.02	0.03	0.04	0.05	0.06	0.07	0.08	0.09	0.10	0.11	0.12
7.5 kw	0.00	0.00	0.01	0.02	0.03	0.04	0.05	0.06	0.07	0.08	0.09	0.10	0.11	0.12	0.13
10 kw	0.00	0.00	0.01	0.02	0.03	0.04	0.05	0.06	0.07	0.08	0.09	0.10	0.11	0.12	0.13
15 kw	0.00	0.02	0.03	0.04	0.05	0.06	0.07	0.08	0.09	0.10	0.11	0.12	0.13	0.14	0.15
20 kw	0.02	0.03	0.04	0.05	0.06	0.07	0.08	0.09	0.10	0.11	0.12	0.13	0.14	0.15	0.16

MINIMUM AIRFLOW FOR SAFE ELECTRIC HEATER OPERATION (CFM)							
SIZE	24	30	36	36	42	48	60
CFM	800	1000	1000	1200	1400	1600	1750

A-WEIGHTED SOUND POWER LEVEL (DBA)								
UNIT PAD3	STANDARD RATING (dBA)	TYPICAL OCTAVE BAND SPECTRUM (dBA without tone adjustment)						
		125	250	500	1000	2000	4000	8000
24	76	66.0	66.0	70.5	71.5	67.5	62.5	58.5
30	75	66.0	63.5	68.0	68.5	67.5	61.5	55.0
36	75	64.0	63.5	68.0	70.5	64.5	61.0	61.0
42	77	67.0	67.0	69.5	70.5	68.0	65.5	61.0
48	78	71.5	66.5	73.0	71.5	68.0	64.0	57.0
60	78	74.5	66.5	70.0	70.0	66.5	64.0	57.0

\* Tested in accordance with AHRI Standard 270 (not listed in AHRI) physical data.

**PAD324 COOLING EXTENDED PERFORMANCE TABLE**

EVAPORATOR AIR		CONDENSER ENTERING AIR TEMPERATURES ° F (° C)																							
		75 (23.9)				85 (29.4)				95 (35)				105 (40.6)				115 (46.1)				125 (51.7)			
		Capacity MBtuh		Total Sys KW		Capacity MBtuh		Total Sys KW		Capacity MBtuh		Total Sys KW		Capacity MBtuh		Total Sys KW		Capacity MBtuh		Total Sys KW		Capacity MBtuh		Total Sys KW	
CFM/BF	EWB ° F (° C)	Total	Sens	Total	Sens	Total	Sens	Total	Sens	Total	Sens	Total	Sens	Total	Sens	Total	Sens	Total	Sens	Total	Sens	Total	Sens		
7000/0.07	57 (13.8)	22.74	22.74	1.66	21.26	21.26	1.85	19.77	19.77	2.06	18.28	18.28	2.29	16.77	16.77	2.54	15.24	15.24	2.80	13.75	13.75	3.05	12.24	12.24	3.30
	62 (16.6)	23.94	20.55	1.66	22.18	19.57	1.86	20.42	18.59	2.07	18.67	17.59	2.30	16.93	16.57	2.54	15.24	15.24	2.80	13.75	13.75	3.05	12.24	12.24	3.30
	63* (17.2)	24.48	17.00	1.67	22.68	16.12	1.86	20.88	15.23	2.07	19.08	14.35	2.30	17.27	13.46	2.54	15.45	12.56	2.81	13.86	13.86	3.06	12.36	12.36	3.31
	67 (19.4)	26.34	17.55	1.67	24.42	16.65	1.86	22.49	15.76	2.07	20.57	14.86	2.30	18.64	13.97	2.55	16.70	13.07	2.82	14.07	14.07	3.07	12.57	12.57	3.32
	72 (22.2)	28.95	14.51	1.67	26.85	13.70	1.87	24.76	12.88	2.08	22.66	12.07	2.31	20.56	11.25	2.56	18.45	10.43	2.83	14.28	14.28	3.08	12.78	12.78	3.33
8000/0.09	57 (13.8)	23.78	23.78	1.68	22.21	22.21	1.87	20.64	20.64	2.08	19.06	19.06	2.31	17.46	17.46	2.56	15.85	15.85	2.82	14.26	14.26	3.09	12.78	12.78	3.34
	62 (16.6)	24.57	22.03	1.68	22.75	20.99	1.87	20.94	19.93	2.08	19.15	18.83	2.31	17.46	17.46	2.56	15.85	15.85	2.82	14.26	14.26	3.09	12.78	12.78	3.34
	63* (17.2)	25.10	18.06	1.68	23.23	17.14	1.88	21.36	16.21	2.09	19.49	15.29	2.32	17.62	14.37	2.56	15.74	13.44	2.82	14.47	14.47	3.10	12.99	12.99	3.35
	67 (19.4)	27.00	18.66	1.69	25.00	17.73	1.88	23.00	16.80	2.09	21.01	15.87	2.32	19.01	14.94	2.57	17.00	14.00	2.83	14.68	14.68	3.11	13.20	13.20	3.36
	72 (22.2)	29.65	15.23	1.69	27.48	14.39	1.89	25.30	13.54	2.10	23.13	12.71	2.33	20.96	11.86	2.58	18.77	11.01	2.84	14.89	14.89	3.12	13.41	13.41	3.37
9000/0.1	57 (13.8)	24.67	24.67	1.70	23.02	23.02	1.89	21.37	21.37	2.10	19.71	19.71	2.33	18.05	18.05	2.58	16.36	16.36	2.84	14.90	14.90	3.13	13.62	13.62	3.38
	62 (16.6)	25.09	23.40	1.70	23.23	22.27	1.89	21.39	21.39	2.10	19.71	19.71	2.33	18.04	18.04	2.58	16.35	16.35	2.84	14.91	14.91	3.13	13.63	13.63	3.38
	63* (17.2)	25.60	19.06	1.70	23.66	18.11	1.89	21.74	17.15	2.10	19.81	16.20	2.33	17.89	15.24	2.58	15.96	14.27	2.84	15.12	15.12	3.14	13.84	13.84	3.39
	67 (19.4)	27.52	19.73	1.70	25.45	18.76	1.90	23.40	17.80	2.11	21.34	16.83	2.34	19.29	15.87	2.59	17.23	14.89	2.85	15.33	15.33	3.15	14.05	14.05	3.40
	72 (22.2)	30.21	15.91	1.71	27.97	15.04	1.90	25.72	14.18	2.11	23.50	13.31	2.35	21.26	12.45	2.60	19.02	11.58	2.86	15.54	15.54	3.16	14.26	14.26	3.41

**PAD330 COOLING EXTENDED PERFORMANCE TABLE**

EVAPORATOR AIR		CONDENSER ENTERING AIR TEMPERATURES ° F (° C)																							
		75 (23.9)				85 (29.4)				95 (35)				105 (40.6)				115 (46.1)				125 (51.7)			
		Capacity MBtuh		Total Sys KW		Capacity MBtuh		Total Sys KW		Capacity MBtuh		Total Sys KW		Capacity MBtuh		Total Sys KW		Capacity MBtuh		Total Sys KW		Capacity MBtuh		Total Sys KW	
CFM/BF	EWB ° F (° C)	Total	Sens	Total	Sens	Total	Sens	Total	Sens	Total	Sens	Total	Sens	Total	Sens	Total	Sens	Total	Sens	Total	Sens	Total	Sens		
875/0.03	57 (13.8)	29.20	29.20	2.09	27.20	27.20	2.30	25.19	25.19	2.52	23.18	23.18	2.77	21.16	21.16	3.04	19.13	19.13	3.32	17.12	17.12	3.59	15.09	15.09	3.86
	62 (16.6)	30.09	26.44	2.09	27.78	25.28	2.30	25.48	24.10	2.52	23.22	23.12	2.77	21.16	21.16	3.04	19.12	19.12	3.32	17.14	17.14	3.61	15.11	15.11	3.88
	63* (17.2)	30.75	21.65	2.09	28.36	20.61	2.30	25.99	19.56	2.52	23.63	18.51	2.77	21.26	17.45	3.04	18.90	16.38	3.32	17.16	17.16	3.63	15.13	15.13	3.90
	67 (19.4)	33.12	22.39	2.08	30.58	21.34	2.29	28.05	20.29	2.52	25.52	19.23	2.77	23.00	18.16	3.04	20.48	17.08	3.32	17.18	17.18	3.65	15.15	15.15	3.92
	72 (22.2)	36.50	18.28	2.08	33.73	17.33	2.29	30.97	16.37	2.52	28.22	15.41	2.77	25.48	14.44	3.04	22.73	13.46	3.32	17.20	17.20	3.67	15.17	15.17	3.94
1000/0.03	57 (13.8)	30.51	30.51	2.12	28.39	28.39	2.33	26.27	26.27	2.56	24.14	24.14	2.80	22.01	22.01	3.07	19.87	19.87	3.35	17.22	17.22	3.69	15.19	15.19	3.96
	62 (16.6)	30.85	28.45	2.12	28.49	28.24	2.33	26.26	26.26	2.56	24.14	24.14	2.80	22.01	22.01	3.07	19.86	19.86	3.35	17.24	17.24	3.71	15.21	15.21	3.98
	63* (17.2)	31.44	23.11	2.12	28.97	22.02	2.33	26.51	20.93	2.56	24.07	19.84	2.81	21.63	18.73	3.07	19.21	17.60	3.35	17.26	17.26	3.73	15.23	15.23	4.00
	67 (19.4)	33.86	23.94	2.12	31.22	22.85	2.33	28.60	21.75	2.55	25.99	20.65	2.80	23.40	19.53	3.07	20.80	18.40	3.35	17.28	17.28	3.75	15.25	15.25	4.02
	72 (22.2)	37.30	19.27	2.11	34.43	18.29	2.32	31.58	17.30	2.55	28.74	16.31	2.80	25.91	15.31	3.07	23.07	14.29	3.35	17.30	17.30	3.77	15.27	15.27	4.04
1125/0.04	57 (13.8)	31.61	31.61	2.15	29.39	29.39	2.36	27.17	27.17	2.59	24.95	24.95	2.84	22.72	22.72	3.10	20.48	20.48	3.39	17.32	17.32	3.81	15.29	15.29	4.06
	62 (16.6)	31.61	31.61	2.15	29.39	29.39	2.36	27.17	27.17	2.59	24.95	24.95	2.84	22.72	22.72	3.10	20.48	20.48	3.39	17.34	17.34	3.83	15.31	15.31	4.08
	63* (17.2)	31.97	24.51	2.15	29.43	23.38	2.36	26.91	22.25	2.59	24.41	21.10	2.84	21.92	19.95	3.10	19.45	18.75	3.39	17.36	17.36	3.85	15.33	15.33	4.10
	67 (19.4)	34.42	25.44	2.15	31.71	24.30	2.36	29.02	23.16	2.59	26.35	22.01	2.84	23.69	20.84	3.10	21.05	19.65	3.39	17.38	17.38	3.87	15.35	15.35	4.12
	72 (22.2)	37.91	20.22	2.14	34.96	19.20	2.35	32.03	18.19	2.58	29.12	17.17	2.83	26.22	16.14	3.10	23.32	15.10	3.39	17.40	17.40	3.89	15.37	15.37	4.14

See Legend and Notes following tables.

**PAD336 COOLING EXTENDED PERFORMANCE TABLE**

EVAPORATOR AIR		CONDENSER ENTERING AIR TEMPERATURES °F (°C)																	
		75 (23.9)			85 (29.4)			95 (35)			105 (40.6)			115 (46.1)			125 (51.7)		
		CFM/BF	EWB °F (°C)	Capacity MBtuh		Total Sys KW	Capacity MBtuh		Total Sys KW	Capacity MBtuh		Total Sys KW	Capacity MBtuh		Total Sys KW	Capacity MBtuh		Total Sys KW	
Total	Sens			Total	Sens		Total	Sens		Total	Sens		Total	Sens		Total	Sens		
1050/0.04	57 (13.8)	35.66	35.66	2.38	32.84	32.84	2.71	30.06	30.06	3.07	27.32	27.32	3.47	24.62	24.62	3.91	21.93	21.93	4.39
	62 (16.6)	37.06	32.25	2.39	33.82	30.46	2.71	30.65	28.68	3.07	27.56	26.88	3.47	24.62	24.62	3.91	21.93	21.93	4.39
	63* (17.2)	37.87	26.52	2.39	34.55	24.93	2.71	31.28	23.37	3.08	28.09	21.82	3.48	24.95	20.29	3.91	21.88	18.77	4.39
	67 (19.4)	40.79	27.41	2.39	37.23	25.80	2.72	33.74	24.21	3.08	30.32	22.64	3.48	26.96	21.09	3.92	23.65	19.54	4.39
	72 (22.2)	44.91	22.49	2.39	41.02	21.04	2.72	37.19	19.62	3.09	33.45	18.21	3.49	29.78	16.82	3.93	26.16	15.44	4.40
1200/0.04	57 (13.8)	37.24	37.24	2.43	34.27	34.27	2.76	31.33	31.33	3.12	28.44	28.44	3.52	25.58	25.58	3.96	22.76	22.76	4.44
	62 (16.6)	37.97	34.65	2.43	34.64	32.72	2.76	31.35	31.35	3.12	28.43	28.43	3.52	25.58	25.58	3.96	22.75	22.75	4.44
	63* (17.2)	38.73	28.25	2.43	35.29	26.59	2.76	31.91	24.95	3.12	28.60	23.33	3.52	25.37	21.73	3.96	22.21	20.12	4.44
	67 (19.4)	41.71	29.24	2.44	38.02	27.56	2.76	34.40	25.90	3.13	30.86	24.26	3.53	27.40	22.63	3.97	24.00	21.00	4.44
	72 (22.2)	45.90	23.65	2.44	41.86	22.16	2.77	37.91	20.68	3.13	34.05	19.23	3.54	30.26	17.79	3.98	26.53	16.36	4.45
1350/0.05	57 (13.8)	38.59	38.59	2.48	35.47	35.47	2.81	32.40	32.40	3.17	29.37	29.37	3.57	26.39	26.39	4.01	23.43	23.43	4.49
	62 (16.6)	38.77	36.79	2.48	35.46	35.46	2.81	32.39	32.39	3.17	29.37	29.37	3.57	26.38	26.38	4.01	23.43	23.43	4.49
	63* (17.2)	39.40	29.91	2.48	35.85	28.18	2.81	32.38	26.47	3.17	28.99	24.78	3.57	25.69	23.09	4.01	22.46	21.40	4.49
	67 (19.4)	42.41	31.01	2.48	38.61	29.26	2.81	34.89	27.52	3.18	31.27	25.81	3.58	27.72	24.10	4.02	24.26	22.39	4.49
	72 (22.2)	46.65	24.77	2.49	42.51	23.22	2.82	38.45	21.70	3.18	34.49	20.20	3.58	30.61	18.72	4.03	26.80	17.24	4.50

519 41 3101 05

**PAD342 COOLING EXTENDED PERFORMANCE TABLE**

EVAPORATOR AIR		CONDENSER ENTERING AIR TEMPERATURES °F (°C)																	
		75 (23.9)			85 (29.4)			95 (35)			105 (40.6)			115 (46.1)			125 (51.7)		
		CFM/BF	EWB °F (°C)	Capacity MBtuh		Total Sys KW	Capacity MBtuh		Total Sys KW	Capacity MBtuh		Total Sys KW	Capacity MBtuh		Total Sys KW	Capacity MBtuh		Total Sys KW	
Total	Sens			Total	Sens		Total	Sens		Total	Sens		Total	Sens		Total	Sens		
1225/0.03	57 (13.8)	40.45	40.45	3.00	37.98	37.98	3.37	35.49	35.49	3.78	32.98	32.98	4.20	30.44	30.44	4.65	27.84	27.84	5.10
	62 (16.6)	42.06	37.63	2.94	39.15	35.73	3.33	36.25	33.83	3.74	33.37	31.92	4.18	30.48	30.39	4.64	27.88	27.88	5.10
	63* (17.2)	42.93	30.96	2.91	39.95	29.27	3.31	36.96	27.59	3.72	33.97	25.92	4.17	30.95	24.26	4.63	27.90	22.59	5.10
	67 (19.4)	46.12	31.94	2.80	42.92	30.23	3.19	39.72	28.52	3.61	36.53	26.83	4.05	33.31	25.15	4.52	30.04	23.46	4.99
	72 (22.2)	50.58	26.16	2.65	47.09	24.61	3.04	43.59	23.08	3.46	40.11	21.56	3.90	36.60	20.05	4.37	33.04	18.53	4.84
1400/0.04	57 (13.8)	42.24	42.24	2.98	39.61	39.61	3.35	36.97	36.97	3.76	34.32	34.32	4.18	31.63	31.63	4.63	28.88	28.88	5.08
	62 (16.6)	43.11	40.44	2.95	40.11	38.38	3.34	37.15	36.28	3.75	34.31	34.31	4.18	31.62	31.62	4.63	28.88	28.88	5.08
	63* (17.2)	43.91	32.97	2.92	40.81	31.21	3.32	37.71	29.45	3.73	34.61	27.70	4.18	31.49	25.96	4.64	28.35	24.21	5.12
	67 (19.4)	47.15	34.07	2.81	43.82	32.28	3.20	40.50	30.50	3.62	37.19	28.73	4.06	33.86	26.97	4.53	30.50	25.20	5.00
	72 (22.2)	51.67	27.51	2.65	48.05	25.91	3.05	44.42	24.32	3.46	40.81	22.75	3.91	37.19	21.19	4.38	33.51	19.62	4.85
1575/0.05	57 (13.8)	43.75	43.75	2.97	40.99	40.99	3.34	38.22	38.22	3.75	35.43	35.43	4.17	32.62	32.62	4.62	29.74	29.74	5.07
	62 (16.6)	44.02	42.95	2.96	41.01	41.01	3.34	38.21	38.21	3.75	35.43	35.43	4.17	32.61	32.61	4.62	29.74	29.74	5.07
	63* (17.2)	44.67	34.90	2.94	41.47	33.06	3.33	38.28	31.23	3.75	35.10	29.41	4.20	31.91	27.58	4.66	28.70	25.74	5.14
	67 (19.4)	47.93	36.13	2.82	44.51	34.26	3.21	41.09	32.40	3.63	37.69	30.56	4.08	34.28	28.71	4.54	30.85	26.85	5.02
	72 (22.2)	52.51	28.80	2.67	48.78	27.15	3.06	45.05	25.51	3.48	41.34	23.89	3.93	37.63	22.28	4.39	33.86	20.67	4.87

See Legend and Notes following tables.

**PAD348 COOLING EXTENDED PERFORMANCE TABLE**

EVAPORATOR AIR		CONDENSER ENTERING AIR TEMPERATURES °F (°C)																	
		75 (23.9)			85 (29.4)			95 (35)			105 (40.6)			115 (46.1)			125 (51.7)		
		CFM/BF	Ewb °F (°C)	Capacity MBtuh		Total Sys KW	Capacity MBtuh		Total Sys KW	Capacity MBtuh		Total Sys KW	Capacity MBtuh		Total Sys KW	Capacity MBtuh		Total Sys KW	
Total	Sens			Total	Sens		Total	Sens		Total	Sens		Total	Sens					
1400/0.04	57 (13.8)	46.51	43.60	43.60	3.29	43.60	40.66	4.11	37.70	37.70	4.56	34.70	34.70	5.05	31.64	31.64	5.55		
	62 (16.6)	48.43	41.91	40.09	3.68	45.02	38.24	4.10	38.19	36.35	4.56	34.81	34.56	5.05	31.64	31.64	5.55		
	63* (17.2)	49.45	34.51	32.87	3.68	42.43	31.22	4.10	38.89	29.56	4.56	35.34	27.89	5.05	31.75	26.19	5.55		
1600/0.05	57 (13.8)	58.33	29.19	27.68	3.28	54.23	27.68	3.67	50.11	26.15	4.09	46.00	24.62	4.55	41.85	23.08	5.54		
	62 (16.6)	48.55	48.55	45.46	3.74	42.35	42.35	4.16	39.21	39.21	4.61	36.04	36.04	5.10	32.81	32.81	5.60		
	63* (17.2)	49.82	44.99	43.02	3.74	46.10	40.97	4.16	39.21	39.21	4.61	36.04	36.04	5.10	32.80	32.80	5.60		
1800/0.06	57 (13.8)	50.57	36.73	35.02	3.74	43.27	33.30	4.16	39.61	31.57	4.61	35.94	29.83	5.10	32.24	28.05	5.60		
	62 (16.6)	54.31	37.96	36.23	3.73	46.50	34.50	4.15	42.59	32.76	4.61	38.66	30.99	5.09	34.70	29.20	5.60		
	63* (17.2)	59.58	30.68	29.12	3.73	51.05	27.54	4.15	48.80	25.97	4.60	42.51	24.38	5.08	38.17	22.76	5.59		
2250/0.03	57 (13.8)	50.26	50.26	47.02	3.79	43.76	43.76	4.21	40.47	40.47	4.66	37.15	37.15	5.15	33.76	33.76	5.65		
	62 (16.6)	50.84	47.75	47.06	3.79	43.75	43.75	4.21	40.46	40.46	4.66	37.14	37.14	5.15	33.76	33.76	5.65		
	63* (17.2)	51.44	38.88	37.10	3.79	43.92	35.31	4.21	40.16	33.51	4.67	36.40	31.68	5.15	32.62	29.81	5.66		
PAD360 - COOLING EXTENDED PERFORMANCE TABLE	57 (13.8)	55.22	40.25	38.45	3.79	47.17	36.64	4.21	43.16	34.83	4.66	39.13	32.98	5.14	35.08	31.10	5.65		
	62 (16.6)	60.54	32.12	30.51	3.40	56.16	51.77	4.20	47.40	27.27	4.65	43.00	25.64	5.13	38.55	23.98	5.64		
	63* (17.2)	66.52	34.02	32.12	3.40	61.77	28.89	4.20	51.77	28.89	4.20	47.40	27.27	4.65	43.00	25.64	5.13		

EVAPORATOR AIR		CONDENSER ENTERING AIR TEMPERATURES °F (°C)																	
		75 (23.9)			85 (29.4)			95 (35)			105 (40.6)			115 (46.1)			125 (51.7)		
		CFM/BF	Ewb °F (°C)	Capacity MBtuh		Total Sys KW	Capacity MBtuh		Total Sys KW	Capacity MBtuh		Total Sys KW	Capacity MBtuh		Total Sys KW	Capacity MBtuh		Total Sys KW	
Total	Sens			Total	Sens		Total	Sens		Total	Sens		Total	Sens					
1750/0.02	57 (13.8)	57.89	57.89	4.22	54.53	51.13	5.08	47.68	47.68	5.56	44.15	44.15	6.06	40.50	40.50	6.59			
	62 (16.6)	59.66	51.98	4.24	55.71	49.84	4.65	47.84	45.44	5.56	44.15	44.15	6.06	40.49	40.49	6.59			
	63* (17.2)	60.79	42.58	4.25	56.72	40.64	4.66	48.53	36.74	5.57	44.37	34.78	6.06	40.12	32.78	6.58			
2000/0.02	57 (13.8)	65.28	43.94	4.28	60.89	41.97	4.70	52.08	38.03	5.61	47.59	36.03	6.10	43.00	34.00	6.62			
	62 (16.6)	71.52	35.78	4.34	66.71	33.95	4.75	57.02	30.30	5.66	45.07	28.45	6.15	47.01	26.57	6.66			
	63* (17.2)	60.39	60.39	4.33	56.80	56.80	4.74	49.50	49.50	5.66	45.74	45.74	6.16	41.85	41.85	6.68			
2250/0.03	57 (13.8)	61.11	55.94	4.33	57.07	53.59	4.74	49.50	49.50	5.66	45.74	45.74	6.16	41.85	41.85	6.68			
	62 (16.6)	62.07	45.41	4.34	57.83	43.39	4.75	49.33	39.33	5.66	45.03	37.28	6.15	40.64	35.18	6.67			
	63* (17.2)	66.60	46.95	4.38	62.04	44.89	4.79	52.89	40.78	5.69	48.25	38.70	6.19	43.52	36.58	6.70			
2250/0.03	57 (13.8)	62.47	62.47	4.43	58.69	58.69	4.84	51.00	51.00	5.75	47.03	47.03	6.25	42.94	42.94	6.77			
	62 (16.6)	62.48	62.48	4.43	58.68	58.68	4.84	50.99	50.99	5.75	47.03	47.03	6.25	42.94	42.94	6.77			
	63* (17.2)	63.04	48.14	4.43	58.67	46.04	4.84	49.93	41.81	5.74	45.52	39.67	6.23	41.04	37.45	6.75			
PAD360 - COOLING EXTENDED PERFORMANCE TABLE	57 (13.8)	67.60	49.85	4.47	62.90	47.72	4.88	58.21	45.59	5.32	53.50	43.44	5.78	48.74	41.27	6.27			
	62 (16.6)	73.95	39.47	4.53	68.79	37.54	4.94	63.63	35.61	5.37	58.45	33.68	5.84	53.20	31.73	6.32			
	63* (17.2)	73.95	39.47	4.53	68.79	37.54	4.94	63.63	35.61	5.37	58.45	33.68	5.84	53.20	31.73	6.32			

\* At 75°F (24°C) entering dry bulb - Tennessee Valley Authority (TVA) rating conditions; all others at 80°F (27°C) entering dry bulb.

LEGEND:  
 BF — Bypass Factor  
 Edb — Entering Dry Bulb  
 Ewb — Entering Wet Bulb  
 kW — Total Unit Power Input  
 SHC — Sensible Heat Capacity (x1000 Btuh)  
 TC — Total Capacity (x1000 Btuh) (net)  
 rh — Relative Humidity

NOTES:  
 1. Ratings are net; they account for the effects of the evaporator-fan motor power and heat.  
 2. Direct interpolation is permissible. Do not extrapolate.  
 3. The following formulas may be used:  
 $t_{Lwb} = t_{Edb} - \frac{1.10 \times \text{cfm}}{\text{Sensible Capacity (Btuh)}}$   
 $h_{Lwb} = h_{Ewb} - \frac{\text{Total Capacity (Btuh)}}{4.5 \times \text{cfm}}$   
 $t_{Lwb}$  = Wet bulb temperature corresponding to enthalpy of air leaving evaporator coil ( $t_{Lwb}$ )  
 Where:  $h_{Ewb}$  = Enthalpy of air entering evaporator coil  
 4. The SHC is based on 80°F Edb temperature of air entering evaporator coil.  
 Below 80°F Edb, subtract (corr factor x cfm) from SHC.  
 Above 80°F Edb, add (corr factor x cfm) to SHC. Correction Factor = 1.10 x (1 + BF) x (Edb + 80).  
 5. Integrated capacity is maximum (instantaneous) capacity less the effect of frost on the outdoor coil and the heat required to defrost it.



# UNIT DIMENSIONS - PAD324-36

PADS	ELECTRICAL CHARACTERISTICS		UNIT WT.		UNIT HEIGHT		CENTER OF GRAVITY IN/MM				
	LB	KG	"A"	"B"	X	Y	Z				
24	208/230-1-60	272	123.3	40	1016.0	20-1/2	520.7	15-3/4	400.1	16-1/2	419.1
30	208/230-1-60	277	125.5	42	1066.8	20-1/2	520.7	15-3/4	400.1	16-13/16	427.0
36	208/230-1-60	283	128.3	46	1168.4	20-1/2	520.7	15-3/4	400.1	17	431.8

PADS	CORNER WEIGHT LB/KG			
	"1"	"2"	"3"	"4"
24	54.4	24.7	43.5	19.7
30	55.4	25.1	44.3	20.1
36	56.6	25.7	45.2	20.5

**REQUIRED CLEARANCES TO COMBUSTIBLE MATL.**

TOP OF UNIT..... INCHES (MM) 4 (102.0)

SIDE OF UNIT..... INCHES (MM) 2 (50.8)

BOTTOM OF UNIT..... INCHES (MM) 0 (0.0)

ELECTRICAL PANEL..... INCHES (MM) 36 (914.4)

**NEC REQUIRED CLEARANCES**

BETWEEN UNITS, POWER ENTRY SIDE..... INCHES (MM) 42 (1066.8)

UNIT AND UNGROUNDED SURFACES, POWER ENTRY SIDE..... INCHES (MM) 36 (914.4)

UNIT AND BLOCK OR CONCRETE WALLS AND OTHER GROUNDED SURFACES, POWER ENTRY SIDE..... INCHES (MM) 42 (1066.8)

**REQUIRED CLEARANCE FOR OPERATION AND SERVICES**

EVAP. COIL ACCESS SIDE..... INCHES (MM) 36 (914.0)

POWER ENTRY SIDE..... INCHES (MM) 42 (1066.8)

EXCEPT FOR NEC REQUIREMENTS)

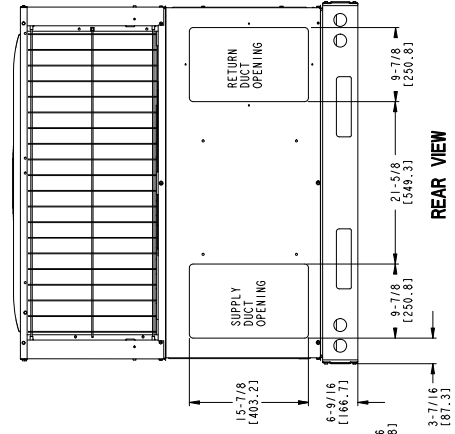
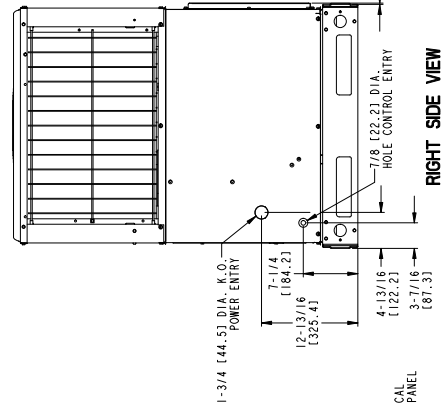
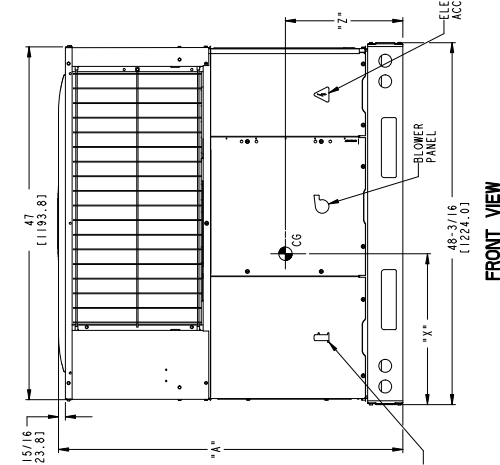
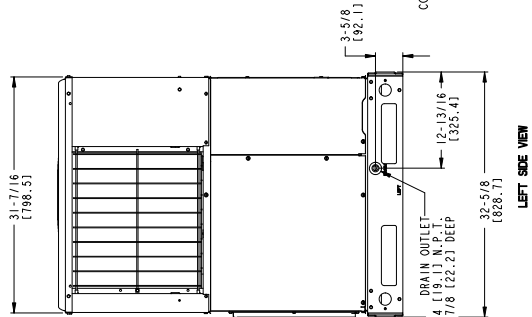
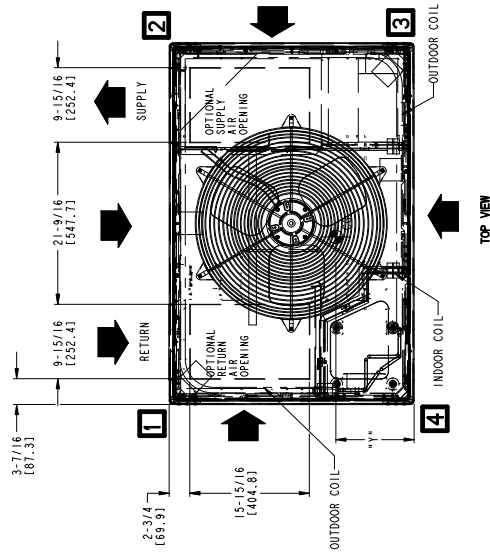
UNIT TOP..... INCHES (MM) 48 (1219.2)

SIDE OPPOSITE DUCTS..... INCHES (MM) 36 (914.0)

DUCT PANEL..... INCHES (MM) 12 (304.8)

**\*MINIMUM DISTANCES: IF UNIT IS PLACED LESS THAN 12 (304.8) FROM WALL SYSTEM, THEN SYSTEM PERFORMANCE MAYBE COMPROMISED.**

DIMENSIONS IN ( ) ARE IN MILLIMETERS



50ES500151 2.0

# UNIT DIMENSIONS - PAD342-60

PAD3	ELECTRICAL CHARACTERISTICS	UNIT WT.		UNIT HEIGHT	CENTER OF GRAVITY IN/AM		
		LB	KG		"A"	Y	Z
42	208/230-1-60	369	167.5	39-15/16 (1014.4)	20-1/4 (514.4)	17-1/2 (444.5)	17-1/8 (435.0)
48	208/230-1-60	375	170.2	41-15/16 (1065.2)	20-1/4 (514.4)	17-1/2 (444.5)	17-3/8 (441.3)
60	208/230-1-60	397	180.2	41-15/16 (1065.2)	20-1/4 (514.4)	17-1/2 (444.5)	17-5/8 (447.7)

PAD3	CORNER WEIGHT LB/KG		
	"1"	"2"	"3"
42	73.8 (33.5)	59.1 (26.8)	88.6 (40.2)
48	75.0 (34.1)	60.0 (27.3)	90.1 (40.9)
60	79.4 (36.1)	63.6 (28.9)	95.3 (43.3)

REQUIRED CLEARANCES TO COMBUSTIBLE MATL.

INCHES (MM)

TOP OF UNIT.....14 (355.8)

DUCT SIDE OF UNIT.....2 (50.8)

DUCT SIDE OF DUCTS.....6 (152.4)

BOTTOM OF UNIT.....0 (0.0)

ELECTRICAL PANEL.....36 (914.4)

NEC REQUIRED CLEARANCES:

INCHES (MM)

BETWEEN UNITS, POWER ENTRY SIDE.....42 (1066.8)

UNIT AND UNROUNDED SURFACES, POWER ENTRY SIDE.....36 (914.0)

UNIT AND BLOCK OR CONCRETE WALLS AND OTHER GROUNDED SURFACES, POWER ENTRY SIDE.....42 (1066.8)

REQUIRED CLEARANCE FOR OPERATION AND SERVICING

INCHES (MM)

EVAP. COIL ACCESS SIDE.....36 (914.0)

POWER ENTRY SIDE.....42 (1066.8)

ACCESS FOR NEC REQUIREMENTS.....48 (1219.2)

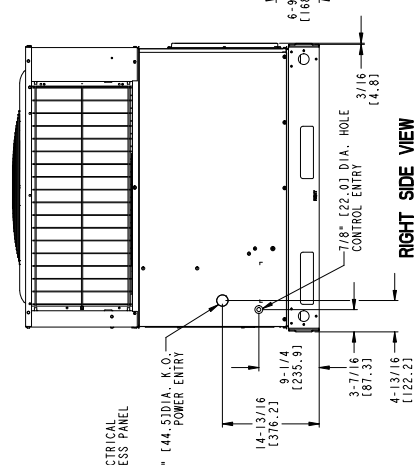
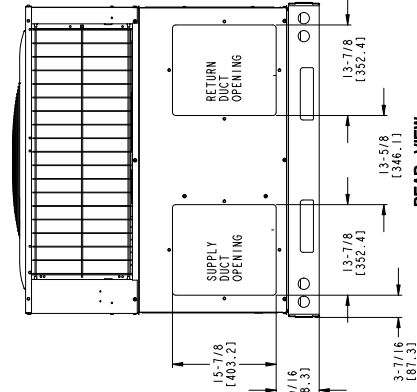
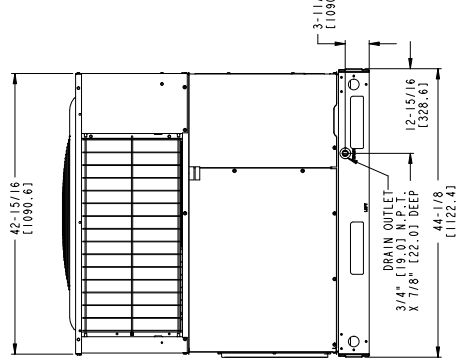
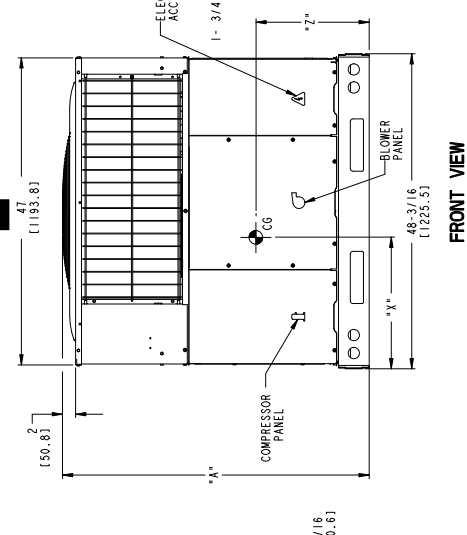
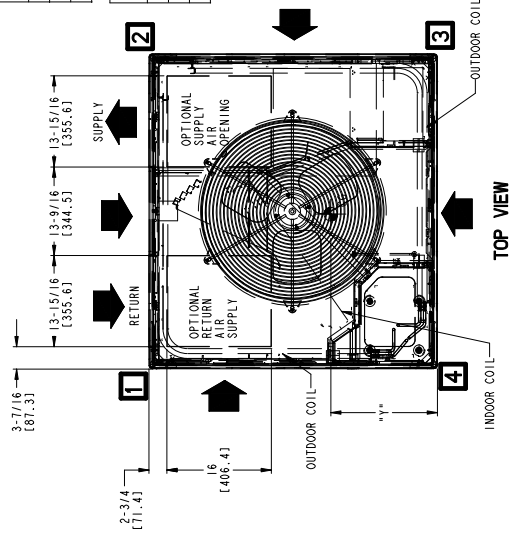
UNIT TOP.....48 (1219.2)

SIDE OPPOSITE DUCTS.....36 (914.0)

DUCT PANEL.....12 (304.8)

MINIMUM DISTANCES: IF UNIT IS PLACED LESS THAN 12 (304.8) FROM WALL SYSTEM, THEN SYSTEM PERFORMANCE MAY BE COMPROMISED.

DIMENSIONS IN ( ) ARE IN MILLIMETERS

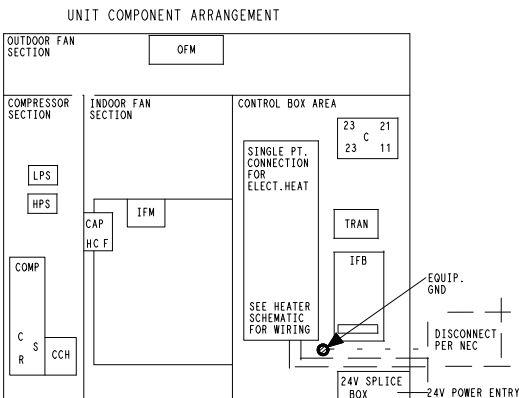
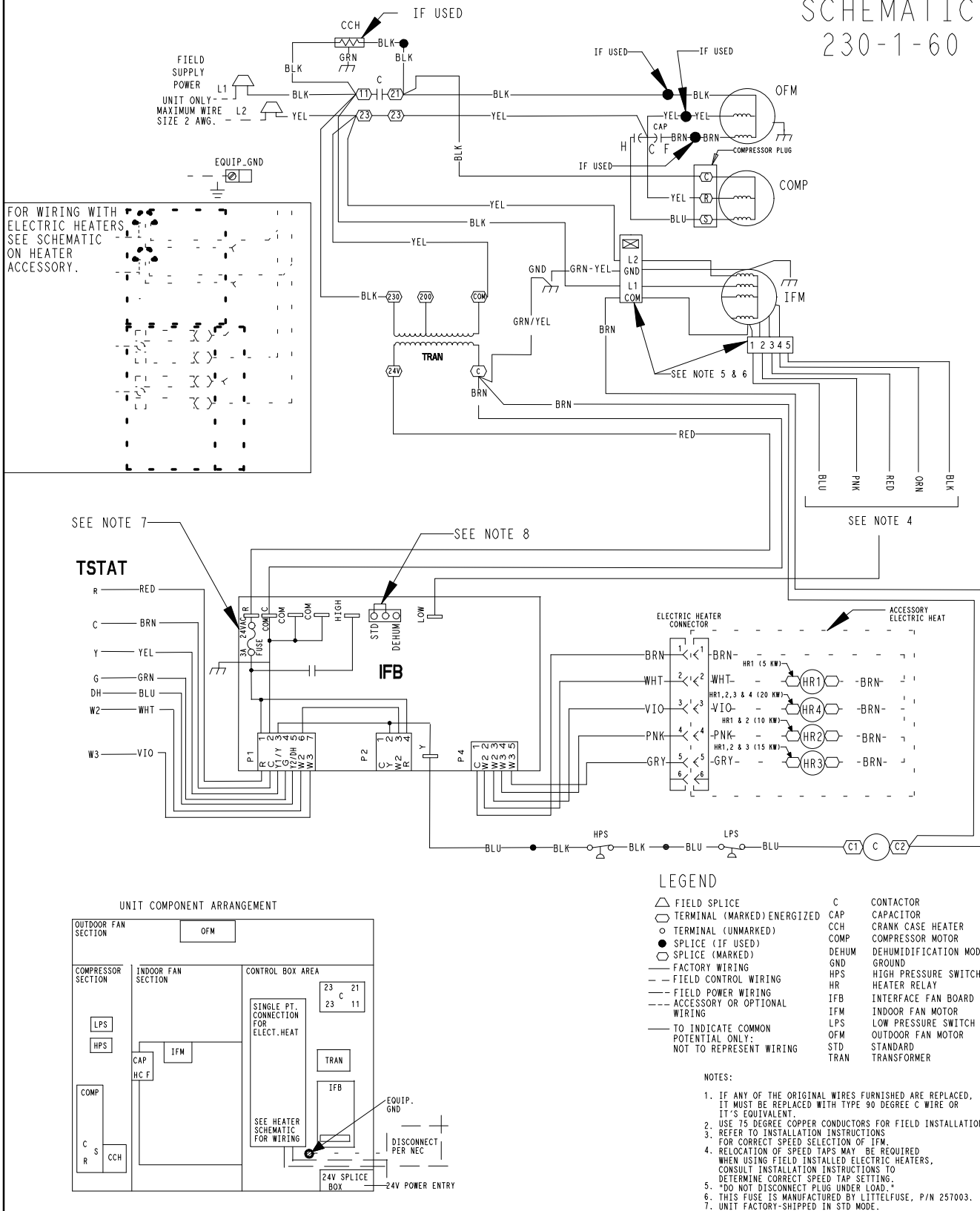


50ES500152 2.0

CONNECTION WIRING DIAGRAM

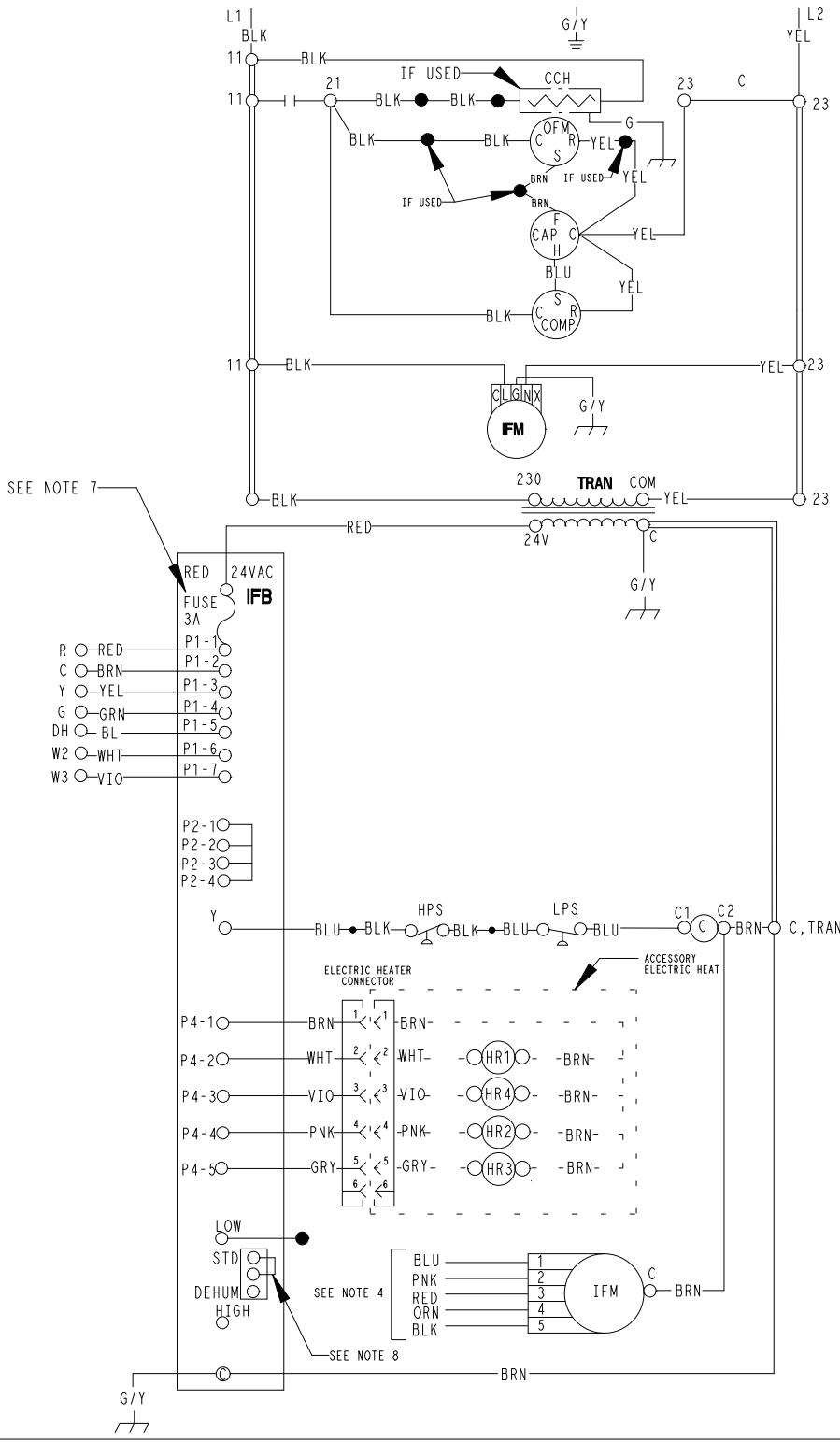
DANGER: ELECTRICAL SHOCK HAZARD DISCONNECT POWER BEFORE SERVICING

SCHMATIC  
230-1-60



LADDER WIRING DIAGRAM

DANGER: ELECTRICAL SHOCK HAZARD DISCONNECT POWER BEFORE SERVICING



50VL500269

E

## CONTROLS

### Operating sequence

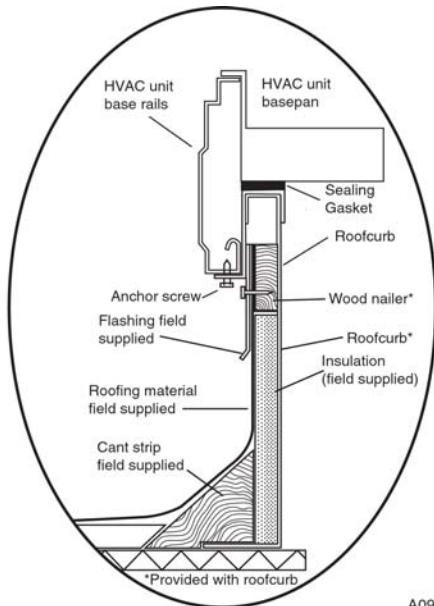
**Cooling** — When the system thermostat calls for cooling, 24 V is supplied to the “Y” and “G” terminals of the thermostat. This completes the circuit to the contactor coil (C) and indoor (evaporator) fan motor (IFM). The normally open contacts of C close and complete the circuit through compressor motor (COMP) to outdoor (condenser) fan motor (OFM). Both motors start instantly. Simultaneously, 24 volts is supplied through G to the Interface Fan Board (IFB) and to the IFM. The IFM starts instantly.

On the loss of the thermostat call for cooling, 24 V is removed from both the “Y” and “G” terminals (provided the fan switch is in the “AUTO” position) de-energizing the compressor contactor and opening the contacts supplying power to compressor/OFM. After a 60-second delay, the IFM shuts off. If the thermostat fan selector switch is in the “ON” position, the IFM will run continuously. For the 460 V units there is a step down auto-transformer supplying 230 V to the Indoor Fan Motor.

**NOTE:** On units with an anti-cycle timer: Once the compressor has started and then stopped, it cannot be restarted again until 5 minutes have elapsed.

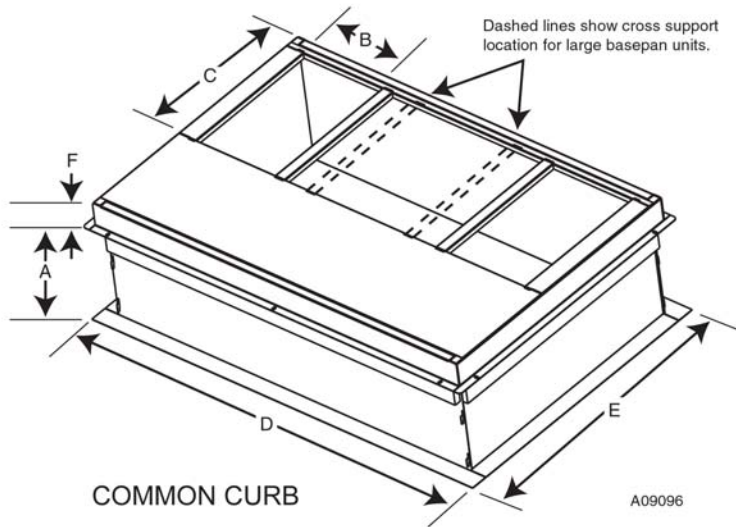
**Heating** — If accessory electric heaters are installed, on a call for heat, circuit R-W is made through the thermostat contacts. Circuit R-G is made which energizes the IFM. If the heaters are staged, then the thermostat closes a second set of contacts (W2) when second stage is required. When thermostat is satisfied, contacts open, deenergizing the heater relay and the IFM.

ROOF CURB – PAD324–60



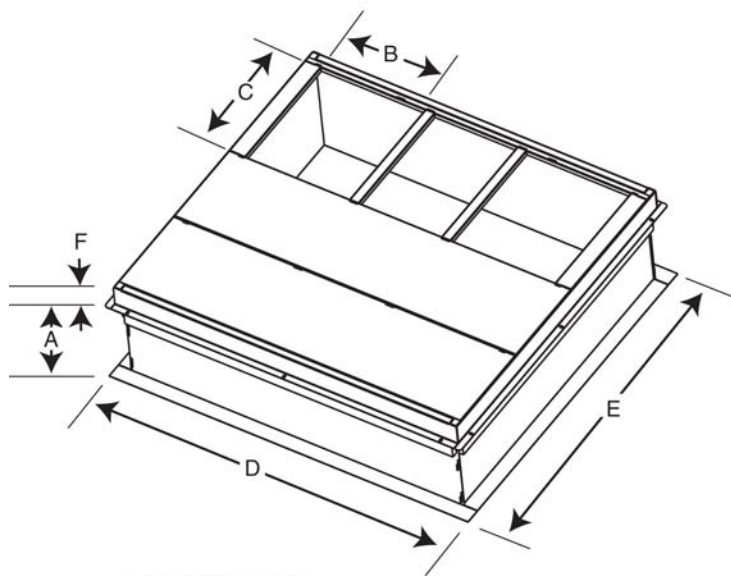
ROOF CURB DETAIL

A09090



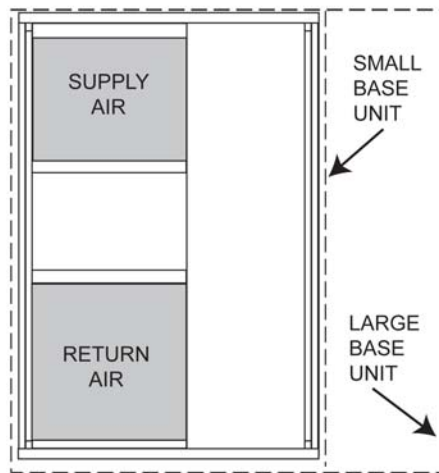
COMMON CURB

A09096



LARGE CURB

A09095



UNIT PLACEMENT ON COMMON CURB

A09094

SMALL OR LARGE BASE UNIT

UNIT SIZE	CATALOG NUMBER	A IN. (mm)	B (small base) IN. (mm)*	B (large base) IN. (mm)*	C IN. (mm)	D IN. (mm)	E IN. (mm)	F IN. (mm)
Small or Large	CPRFCURB010A00	11 (279)	10 (254)	14 (356)	16 (406)	47.8 (1214)	32.4 (822)	2.7 (69)
	CPRFCURB011A00	14 (356)						
Large	CPRFCURB012A00	11 (279)	N/A				43.9 (1116)	
	CPRFCURB013A00	14 (356)						

\* Part Numbers CPRFCURB010A00 and CPRFCURB011A00 can be used on both small and large basepan units. The cross supports must be located based on whether the unit is a small basepan or a large basepan.

NOTES:

1. Roof curb must be set up for unit being installed.
2. Seal strip must be applied, as required, to unit being installed.
3. Roof curb is made of 16-gauge steel.
4. Attach ductwork to curb (flanges of duct rest on curb).
5. Insulated panels: 1-in. (25.4 mm) thick fiberglass 1 lb. density.

## PAD3 ACCESSORIES (continued)

### ROOF CURBS

Model Number	Description	Use With Model Size
CPRFCURB010A00	Roof Curb, 11" High	24 – 60
CPRFCURB011A00	Roof Curb, 14" High	24 – 60
CPRFCURB012A00	Roof Curb, 11" High	42 – 60
CPRFCURB013A00	Roof Curb, 14" High	42 – 60

**Note: CPRFCURB010A00 AND CPRFCURB011A00 can be used with 42–60 size units with some overhang.**

### ADAPTER CURBS\*

CPADCURB001A00	Adapter curb for use with NPRFCURB006A00 & NPRFCURB007A00	24 – 36
CPADCURB002A00	Adapter curb for use with NPRFCURB008A00 & NPRFCURB009A00	42 – 60

\* Can also be used when replacing other manufacturer's older generation units that contain a composite base without a metal base rail.

### CONCENTRIC ADAPTERS – (Use with curb only)

NPCONADP001A00	For 18" round duct (use with curbs CPRFCURB010A00, CPRFCURB011A00)	Small Curb
NPCONADP002A00	For 18" round duct (use with curbs CPRFCURB012A00, CPRFCURB013A00)	Large Curb

### CONCENTRIC DIFFUSERS – (Ceiling or under roof)

AXB020CSA*	Step Down Diffuser – Fits 2' x 4' Ceiling Grid (16" round collars for flex conn.)	24 – 42
AXB020CFA*	Flush Mount Diffuser – Fits 2' x 4' Ceiling Grid (16" round collars for flex conn.)	24 – 42
AXB030CSA	Step Down Diffuser – Fits 2' x 4' Ceiling Grid (18" round collars for flex conn.)	24 – 60
AXB030CFA	Flush Mount Diffuser – Fits 2' x 4' Ceiling Grid (18" round collars for flex conn.)	24 – 60

\* A field supplied 18" to 16" round reducer required when used with NP concentric adaptor

### ECONOMIZERS

Model Number	Description	Use With Model Size
CPECOMZR007A00	Dedicated Vertical Economizer – Internal with solid state controller, gear driven, fully modulating damper, spring return actuator, up to 50% barometric relief, supply and dry bulb outdoor air sensors. Includes filter rack with 1" filters*.	24 – 36
CPECOMZR008A00		42, 48
CPECOMZR009A00		60
CPECOMZR010A00	Dedicated Horizontal Economizer – Internal with solid state controller, fully modulating damper, spring return actuator, supply and dry bulb outdoor air sensor, and low ambient compressor lockout switch included. Includes filter rack with 1-inch filters*.	24 – 36
CPECOMZR011A00		42, 48
CPECOMZR012A00		60
AXB078ENT	Outdoor Enthalpy Control	24 – 60

\* Outdoor enthalpy available as field installed accessory; Filter rack and 1" filter, same as CPFILTRK kit

### MANUAL FRESH AIR DAMPERS

Model Number	Description	Use With Model Size
CPMANDPR007A00	Manual Outside Air Damper – (Includes filter rack and 1" filter, same as CPFILTRK kit)	24 – 36
CPMANDPR008A00		42, 48
CPMANDPR009A00		60

### INTERNAL FILTER RACK and FILTER (shipped with 1" filters)

Model Number	Description	Use With Model Size
CPFILTRK007A00	Internal Filter Rack	24 – 36
CPFILTRK008A00		42, 48
CPFILTRK009A00		60

### CRANKCASE HEATER – BELLY BAND TYPE

NPCRKHTR008A00	240V Crankcase Heater	24 – 36
NPCRKHTR004A00	240V Crankcase Heater	42 – 60

### LOW AMBIENT, ANTI-CYCLE TIMER, COMPRESSOR START ASSIST

CPLOWAMB001A00	Low ambient Control – enables cooling system to operate down to 0 Deg. F by cycling condenser fan on and off	ALL
NRTIMEGD001A00	5 minute anti-cycle timer (Note: many thermostats have inherent anti-cycle timer logic)	ALL
CPHSTART002A00	PTC type compressor start assist	ALL

## PAD3 ACCESSORIES (continued)

### HAIL GUARDS / COIL PROTECTION (Factory installed on PAD\*\*000KTP models)

Model Number	Description	Use With Model Size
NAPA00301GR	3/8" spacing dense wire grilles	24
NAPA00501GR	3/8" spacing dense wire grilles	30
NAPA00901GR	3/8" spacing dense wire grilles	36
NAPA00601GR	3/8" spacing dense wire grilles	42
NAPA00801GR	3/8" spacing dense wire grilles	48 - 60

### ELECTRIC HEATERS

#### 208/240V

PART NO.	NOMINAL CAPACITY (kW)	FUSED	# FUSES	STAGES	USE WITH
EHNA05K4F	3.8 / 5.0	YES	4	1	ALL
EHNA05K0N	3.8 / 5.0	NO	0	1	ALL
EHNA07K0N	5.4 / 7.2	NO	0	2	ALL
EHNA07K4F	5.4 / 7.2	YES	4	2	ALL
EHNA10K0N	7.5 / 10.0	NO	0	2	24 - 42
EHNA10K4F	7.5 / 10.0	YES	4	2	ALL
EHNA15K4F	11.3 / 15.0	YES	4	2	30 - 42
EHNA15K6F	11.3 / 15.0	YES	6	2	30 - 60
EHNA20K4F	15.0 / 20.0	YES	4	2	42
EHNA20K6F	15.0 / 20.0	YES	6	2	42 - 60

### DUAL POINT WIRING KIT

Model Number	Description	Use With Model Size
CPDUALPT001A00	Dual Point Wiring kit, 5-20kW Heaters	ALL

### DUCT TRANSITIONS

NPDUCLG002A00	Square to 14" Round (1 set of 2, use with horizontal duct flanges only)	24 - 48
---------------	---	---------

International Comfort Products, LLC  
Lewisburg, Tennessee 37091 USA  
[www.GoComfortmaker.com](http://www.GoComfortmaker.com)