



### 13 SEER PACKAGE GAS / ELECTRIC UNIT, 2.5 to 5 TONS

208/230-3-60, 460-3-60

#### REFRIGERATION CIRCUIT

- Environmentally sound R-410A refrigerant
- Scroll compressor standard on all models
- Copper tube/aluminum fin condenser and evaporator coils
- Dehumidification mode (airflow reduction) on all models

#### EASY TO INSTALL AND SERVICE

- Installs easily on a rooftop or at ground level
- Easy three-panel accessibility for maintenance and installation
- Easily converts to down discharge applications
- Combination gas heating and electric cooling
- Low NOx units available

#### BUILT TO LAST

- Induced-draft combustion and venting
- Pre-painted steel cabinet
- Direct spark ignition
- High efficiency ECM indoor blower motor on all models
- Aluminized steel tubular heat exchanger on PGD3 models, Stainless Steel tubular heat exchanger on PGS3 models
- Vertical condenser fan discharge
- Full perimeter steel base rails
- High and low pressure switches provide added reliability for the compressor

#### WARRANTY

- 10 year heat exchanger limited warranty
- 5 year compressor limited warranty
- 1 year parts limited warranty



Use of the AHRI Certified TM Mark indicates a manufacturer's participation in the program. For verification of certification for individual products, go to [www.ahridirectory.org](http://www.ahridirectory.org).



| UNIT PERFORMANCE DATA           |                                |                   |      |      |                |                      |   |                              |
|---------------------------------|--------------------------------|-------------------|------|------|----------------|----------------------|---|------------------------------|
| Aluminized Steel Heat Exchanger | Stainless Steel Heat Exchanger | COOLING           |      |      | HEATING        |                      | Unit Dimensions<br>Height x Width x Depth<br>in (mm)                                | Operating Weight<br>lbs (kg) |
|                                 |                                | Capacity<br>BTU/h | SEER | EER  | Input<br>BTU/h | Efficiency<br>AFUE % |   |                              |
| PGD330040H00°C                  | PGS330040HGS°C                 | 28,600            | 13.5 | 11.2 | 40,000         | 80.0                 | 42x48 <sup>3</sup> / <sub>16</sub> x32 <sup>5</sup> / <sub>8</sub> (1066x1224x829)  | 309 (140)                    |
| PGD330060H00°C                  | PGS330060HGS°C                 | 28,600            | 13.5 | 11.2 | 60,000         | 80.0                 | 42x48 <sup>3</sup> / <sub>16</sub> x32 <sup>5</sup> / <sub>8</sub> (1066x1224x829)  | 309 (140)                    |
| PGD336060*00°C                  | PGS336060*GS°C                 | 34,400            | 13.0 | 11.0 | 60,000         | 80.0                 | 46x48 <sup>3</sup> / <sub>16</sub> x32 <sup>5</sup> / <sub>8</sub> (1168x1224x829)  | 319 (144)                    |
| PGD336090*00°C                  | PGS336090*GS°C                 | 34,400            | 13.0 | 11.0 | 90,000         | 79.3                 | 46x48 <sup>3</sup> / <sub>16</sub> x32 <sup>5</sup> / <sub>8</sub> (1168x1224x829)  | 319 (144)                    |
| PGD342060*00°C                  | PGS342060*GS°C                 | 40,500            | 13.2 | 11.2 | 60,000         | 78.5                 | 40x48 <sup>3</sup> / <sub>16</sub> x44 <sup>1</sup> / <sub>8</sub> (1016x1224x1123) | 411 (186)                    |
| PGD342090*00°C                  | PGS342090*GS°C                 | 40,500            | 13.2 | 11.2 | 90,000         | 80.4                 | 40x48 <sup>3</sup> / <sub>16</sub> x44 <sup>1</sup> / <sub>8</sub> (1016x1224x1123) | 411 (186)                    |
| PGD348090*00°C                  | PGS348090*GS°C                 | 46,500            | 13.2 | 11.2 | 90,000         | 80.4                 | 42x48 <sup>3</sup> / <sub>16</sub> x44 <sup>1</sup> / <sub>8</sub> (1066x1224x1123) | 419 (190)                    |
| PGD348115*00°C                  | PGS348115*GS°C                 | 46,500            | 13.2 | 11.2 | 115,000        | 80.3                 | 42x48 <sup>3</sup> / <sub>16</sub> x44 <sup>1</sup> / <sub>8</sub> (1066x1224x1123) | 419 (190)                    |
| PGD348130*00°C                  | PGS348130*GS°C                 | 46,500            | 13.2 | 11.2 | 130,000        | 78.9                 | 42x48 <sup>3</sup> / <sub>16</sub> x44 <sup>1</sup> / <sub>8</sub> (1066x1224x1123) | 419 (190)                    |
| PGD360090*00°C                  | PGS360090*GS°C                 | 57,000            | 13.4 | 11.0 | 90,000         | 80.4                 | 42x48 <sup>3</sup> / <sub>16</sub> x44 <sup>1</sup> / <sub>8</sub> (1066x1224x1123) | 419 (190)                    |
| PGD360115*00°C                  | PGS360115*GS°C                 | 57,000            | 13.4 | 11.0 | 115,000        | 80.3                 | 42x48 <sup>3</sup> / <sub>16</sub> x44 <sup>1</sup> / <sub>8</sub> (1066x1224x1123) | 441 (200)                    |
| PGD360130*00°C                  | PGS360130*GS°C                 | 57,000            | 13.4 | 11.0 | 130,000        | 78.9                 | 42x48 <sup>3</sup> / <sub>16</sub> x44 <sup>1</sup> / <sub>8</sub> (1066x1224x1123) | 441 (200)                    |

\* - 0 = Standard, 1 = Low NOx

^ - H = 208/230 V, L = 460 V

| MODEL NOMENCLATURE  |   |   |   |   |     |       |    |       |    |    |    |
|---|---|---|---|---|-----|-------|----|-------|----|----|----|
| MODEL SERIES  | 1 | 2 | 3 | 4 | 5,6 | 7,8,9 | 10 | 11,12 | 13 | 14 | 15 |
|   | P | G | D | 3 | 36  | 090   | H  | 00    | 0  | C  | 1  |
| <b>TYPE</b><br>P = Package<br>A = Air Conditioner<br>H = Heat Pump<br>G = Gas/Electric<br>D = Dual Fuel<br>D = Standard<br>S = Mainline w/ SS HX                              |   |   |   |   |     |       |    |       |    |    |    |
| <b>TIER</b><br>3 = 13<br>4 = 14   |   |   |   |   |     |       |    |       |    |    |    |
| <b>SEER</b><br>30 = 30,000 BTUH = 2.5 Tons<br>36 = 36,000 BTUH = 3 Tons<br>42 = 42,000 BTUH = 3.5 Tons<br>48 = 48,000 BTUH = 4 Tons<br>60 = 60,000 BTUH = 5 Tons              |   |   |   |   |     |       |    |       |    |    |    |
| <b>NOMINAL COOLING CAPACITY</b><br>000 = no factory heat<br>040 = 40,000 BTU/hr<br>060 = 60,000 BTU/hr<br>090 = 90,000 BTU/hr<br>115 = 115,000 BTU/hr<br>130 = 130,000 BTU/hr |   |   |   |   |     |       |    |       |    |    |    |
| <b>NOMINAL HEATING BTUH (input)</b><br>K = 208/230-1-60<br>H = 208/230-3-60<br>L = 460-3-60   |   |   |   |   |     |       |    |       |    |    |    |
| <b>VOLTAGE</b><br>00 = No options<br>GS = Stainless Steel Heat Exchanger  |   |   |   |   |     |       |    |       |    |    |    |
| <b>FACTORY INSTALLED OPTIONS</b><br>0 = Standard<br>1 = Low NOx   |   |   |   |   |     |       |    |       |    |    |    |
| <b>FEATURE CODE</b><br>Sales Model Digit<br>Engineering Digit   |   |   |   |   |     |       |    |       |    |    |    |

## AHRI\* CAPACITIES

| COOLING CAPACITIES AND EFFICIENCIES |              |              |                               |       |       |
|-------------------------------------|--------------|--------------|-------------------------------|-------|-------|
| UNIT PG(D,S)3                       | NOMINAL TONS | STANDARD CFM | NET COOLING CAPACITIES (Btuh) | EER** | SEER† |
| 30                                  | 2-1/2        | 1000         | 28,400                        | 11.2  | 13.5  |
| 36                                  | 3            | 1200         | 34,400                        | 11.0  | 13.0  |
| 42                                  | 3-1/2        | 1400         | 40,500                        | 11.2  | 13.2  |
| 48                                  | 4            | 1600         | 46,500                        | 11.2  | 13.2  |
| 60                                  | 5            | 1750         | 57,000                        | 11.0  | 13.4  |

### LEGEND

dB—Sound Levels (decibels)

db—Dry Bulb

SEER—Seasonal Energy Efficiency Ratio

wb—Wet Bulb

COP—Coefficient of Performance

\* Air Conditioning, Heating & Refrigeration Institute.

\*\*At "A" conditions—80°F (26.7°C) indoor db/67°F (19.4°C) indoor wb & 95°F (35°C) outdoor db.

† Rated in accordance with U.S. Government DOE Department of Energy) test procedures and/or AHRI Standards 210/240.

Notes:

1. Ratings are net values, reflecting the effects of circulating fan heat.

Ratings are based on:

**Cooling Standard:** 80°F (26.7°C) db, 67°F wb (19.4°C) indoor entering—air temperature and 95°F db (35°C) outdoor entering—air temperature.

2. Before purchasing this appliance, read important energy cost and efficiency information available from your retailer.

## GAS HEATING CAPACITIES AND EFFICIENCIES

| PG(D,S)3   | HEATING INPUT (Btuh) | OUTPUT CAPACITY (Btuh)               | TEMPERATURE RISE RANGE °F (°C) | AFUE (%)                     |
|--|----------------------|--------------------------------------|--------------------------------|------------------------------|
| <b>30040</b>   | 40,000               | 32,000                               | 30-60<br>(16.7-33.3)           | 80.0                         |
| <b>30060</b><br><b>36060</b><br><b>42060</b>                 | 60,000               | 48,000<br>48,000<br>48,000<br>47,000 | 25-55<br>(13.9-30.6)           | 80.0<br>80.0<br>80.0<br>78.5 |
| <b>36090</b><br><b>42090</b><br><b>48090</b><br><b>60090</b> | 90,000               | 72,000<br>73,000<br>73,000<br>73,000 | 35-65<br>(19.4-36.1)           | 79.3<br>80.4<br>80.4<br>80.4 |
| <b>48115</b><br><b>60115</b>                                 | 115,000              | 93,000                               | 30-60<br>(16.7-33.3)           | 80.3                         |
| <b>48130</b><br><b>60130</b>                                 | 130,000              | 103,000                              | 35-65<br>(19.4-36.1)           | 78.9                         |

**LEGEND**

**AFUE**—Annual Fuel Utilization Efficiency

NOTE: Before purchasing this appliance, read important energy cost and efficiency information available from your retailer.

## UNIT ELECTRICAL SPECIFICATIONS

| MODEL NUMBER  | NOMINAL V-PH-HZ | Voltage Range |      | Compressor |       | OFM | IFM | IDM  | Power Supply |      |     |      |    |
|---------------|-----------------|---------------|------|------------|-------|-----|-----|------|--------------|------|-----|------|----|
|               |                 | Min.          | Max. | RLA        | LRA   | FLA | FLA | FLA  | MCA          | MOCP |     |      |    |
| PG(D,S)330040 | 208/230-3-60    | 187           | 253  | 8.4        | 58.0  | 1.2 | 4.1 | 0.7  | 15.8         | 20   |     |      |    |
| PG(D,S)330060 |                 |               |      | 8.4        | 58.0  | 1.2 | 4.1 | 1.7  | 15.8         | 20   |     |      |    |
| PG(D,S)336060 |                 |               |      | 10.4       | 88.0  | 1.2 | 6.0 | 1.7  | 20.3         | 30   |     |      |    |
| PG(D,S)336090 |                 |               |      | 10.4       | 88.0  | 1.2 | 6.0 | 0.5  | 20.3         | 30   |     |      |    |
| PG(D,S)342060 |                 |               |      | 13.5       | 88.0  | 1.2 | 6.0 | 1.7  | 24.1         | 35   |     |      |    |
| PG(D,S)342090 |                 |               |      | 13.5       | 88.0  | 1.2 | 6.0 | 0.7  | 24.1         | 35   |     |      |    |
| PG(D,S)348090 |                 |               |      | 13.7       | 83.1  | 1.2 | 7.6 | 0.7  | 25.9         | 35   |     |      |    |
| PG(D,S)348115 |                 |               |      | 13.7       | 83.1  | 1.2 | 7.6 | 1.7  | 25.9         | 35   |     |      |    |
| PG(D,S)348130 |                 |               |      | 13.7       | 83.1  | 1.2 | 7.6 | 0.5  | 25.9         | 35   |     |      |    |
| PG(D,S)360090 |                 |               |      | 16.0       | 110.0 | 1.2 | 7.6 | 0.7  | 28.8         | 40   |     |      |    |
| PG(D,S)360115 |                 |               |      | 16.0       | 110.0 | 1.2 | 7.6 | 1.7  | 28.8         | 40   |     |      |    |
| PG(D,S)360130 |                 |               |      | 16.0       | 110.0 | 1.2 | 7.6 | 0.5  | 28.8         | 40   |     |      |    |
| PG(D,S)336060 |                 |               |      | 460-3-60   | 414   | 506 | 5.8 | 38.0 | 0.5          | 3.0  | 0.7 | 10.7 | 15 |
| PG(D,S)336090 |                 |               |      |            |       |     | 5.8 | 38.0 | 0.5          | 3.0  | 0.3 | 10.7 | 15 |
| PG(D,S)342060 | 6.0             | 44.0          | 0.5  |            |       |     | 3.0 | 0.7  | 11.0         | 15   |     |      |    |
| PG(D,S)342090 | 6.0             | 44.0          | 0.5  |            |       |     | 3.0 | 0.3  | 11.0         | 15   |     |      |    |
| PG(D,S)348090 | 6.2             | 41.0          | 0.5  |            |       |     | 3.8 | 0.3  | 12.1         | 15   |     |      |    |
| PG(D,S)348115 | 6.2             | 41.0          | 0.5  |            |       |     | 3.8 | 0.7  | 12.1         | 15   |     |      |    |
| PG(D,S)348130 | 6.2             | 41.0          | 0.5  |            |       |     | 3.8 | 0.3  | 12.1         | 15   |     |      |    |
| PG(D,S)360090 | 7.8             | 52.0          | 0.5  |            |       |     | 3.8 | 0.3  | 14.3         | 20   |     |      |    |
| PG(D,S)360115 | 7.8             | 52.0          | 0.5  |            |       |     | 3.8 | 0.7  | 14.0         | 20   |     |      |    |
| PG(D,S)360130 | 7.8             | 52.0          | 0.5  |            |       |     | 3.8 | 0.3  | 14.0         | 20   |     |      |    |

**\*\* FUSE OR CIRCUIT BREAKER**

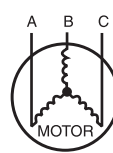
Note: 460 volt units have 230 volt ID motors with FLA values at 230 volts

**LEGEND**

- FLA -- Full Load Amps
- LRA -- Locked Rotor Amps
- MCA -- Minimum Circuit Amps
- MOCP -- Maximum Overcurrent Protection
- RLA -- Rated Load Amps



EXAMPLE: Supply voltage is 230-3-60.



AB = 228 v  
BC = 231 v  
AC = 227 v

$$\begin{aligned} \text{Average Voltage} &= \frac{228 + 231 + 227}{3} \\ &= \frac{686}{3} \\ &= 229 \end{aligned}$$

Determine maximum deviation from average voltage.

- (AB) 229 - 228 = 1 v
- (BC) 231 - 229 = 2 v
- (AC) 229 - 227 = 2 v

Maximum deviation is 2 v.

Determine percent of voltage imbalance

$$\begin{aligned} \% \text{ Voltage Imbalance} &= 100 \times \frac{2}{229} \\ &= 0.8\% \end{aligned}$$

This amount of phase imbalance is satisfactory as it is below the maximum allowable 2%.

**NOTES:**

1. In compliance with NEC (National Electrical Code) requirements for multimotor and combination load equipment (refer to NEC Articles 430 and 440), the overcurrent protective device for the unit shall be Power Supply fuse. The CGA (Canadian Gas Association) units may be fuse or circuit breaker.
2. Minimum wire size is based on 60 C copper wire. If other than 60 C wire is used, or if length exceeds wire length in table, determine size from NEC.
3. Unbalanced 3-Phase Supply Voltage  
*Never operate a motor where a phase imbalance in supply voltage is greater than 2%.* Use the following formula to determine the percentage of voltage imbalance

$$\% \text{ Voltage imbalance} = 100 \times \frac{\text{max voltage deviation from average voltage}}{\text{average voltage}}$$

**IMPORTANT:** If the supply voltage phase imbalance is more than 2%, contact your local electric utility company immediately.

| <b>UNIT SPECIFICATIONS PG(D,S)330 – 42</b>                       |  |                       |              |              |                       |              |
|--|--|-----------------------|--------------|--------------|-----------------------|--------------|
| <b>UNIT SIZE</b>   | <b>30040</b>   | <b>30060</b>          | <b>36060</b> | <b>36090</b> | <b>42060</b>          | <b>42090</b> |
| <b>NOMINAL COOLING CAPACITY (ton)</b>                            | 2–1/2  | 2–1/2                 | 3            | 3            | 3–1/2                 | 3–1/2        |
| <b>NOMINAL HEATING INPUT (Btu/hrs)</b>                           | 40,000   | 60,000                | 60,000       | 90,000       | 60,000                | 90,000       |
| <b>SHIPPING WEIGHT** lb.</b>                                     | 316  | 316                   | 326          | 326          | 420                   | 420          |
| <b>SHIPPING WEIGHT** (kg)</b>                                    | 143  | 143                   | 148          | 148          | 191                   | 191          |
| <b>COMPRESSORS</b>   | Scroll   |                       |              |              |                       |              |
| Quantity   | 1  |                       |              |              |                       |              |
| <b>REFRIGERANT (R–410A)</b>                                      |  |                       |              |              |                       |              |
| Quantity lb.   | 6.2  | 6.2                   | 6.4          | 6.4          | 6.1                   | 6.1          |
| Quantity (kg)  | 2.8  | 2.8                   | 2.9          | 2.9          | 2.7                   | 2.7          |
| <b>REFRIGERANT METERING DEVICE</b>                               | TXV  |                       |              |              |                       |              |
| <b>OUTDOOR COIL</b>  |  |                       |              |              |                       |              |
| Rows...Fins/in.  | 1...21   | 1...21                | 1...21       | 1...21       | 1...21                | 1...21       |
| Face Area (sq ft)  | 11.9   | 11.9                  | 15.4         | 15.4         | 13.6                  | 13.6         |
| <b>OUTDOOR FAN</b>   |  |                       |              |              |                       |              |
| Nominal CFM  | 3000   | 3000                  | 3200         | 3200         | 3600                  | 3600         |
| Diameter in.   | 24   | 24                    | 24           | 24           | 26                    | 26           |
| Diameter (mm)  | 609.6  | 609.6                 | 609.6        | 609.6        | 660.4                 | 660.4        |
| Motor Hp (Rpm)   | 1/5 (810)  | 1/5 (810)             | 1/5 (810)    | 1/5 (810)    | 1/5 (810)             | 1/5 (810)    |
| <b>INDOOR COIL</b>   |  |                       |              |              |                       |              |
| Rows...Fins/in.  | 3...17   | 3...17                | 3...17       | 3...17       | 3...17                | 3...17       |
| Face Area (sq ft)  | 3.7  | 3.7                   | 3.7          | 3.7          | 4.7                   | 4.7          |
| <b>INDOOR BLOWER</b>   |  |                       |              |              |                       |              |
| Nominal Cooling Airflow (Cfm)                                    | 1000   | 1000                  | 1200         | 1200         | 1400                  | 1400         |
| Size in.   | 10x10  | 10x10                 | 11x10        | 11x10        | 11x10                 | 11x10        |
| Size (mm.)   | 254x254  | 254x254               | 279.4x254    | 279.4x254    | 279.4x254             | 279.4x254    |
| Motor HP (RPM)   | 1/2 (1050)   | 1/2 (1050)            | 3/4 (1000)   | 3/4 (1000)   | 3/4 (1075)            | 3/4 (1075)   |
| <b>FURNACE SECTION*</b>  |  |                       |              |              |                       |              |
| Burner Orifice No. (Qty...Drill Size)                            |  |                       |              |              |                       |              |
| Natural Gas Factory Installed                                    | 2...44   | 2...38                | 2...38       | 3...38       | 2...38                | 3...38       |
| Propane Gas  | 2...55   | 2...53                | 2...53       | 3...53       | 2...53                | 3...53       |
| <b>HIGH-PRESSURE SWITCH (psig)</b>                               | <b>Cut-out (Auto) 650 +/- 15</b><br><b>Reset (Auto) 420 +/- 25</b> |                       |              |              |                       |              |
| <b>LOSS-OF-CHARGE / LOW-PRESSURE SWITCH (Liquid Line) (psig)</b> | <b>Cut-out (Auto) 20 +/- 5</b><br><b>Reset (Auto) 45 +/- 10</b>    |                       |              |              |                       |              |
| <b>RETURN-AIR FILTERS†‡</b>                                      |  |                       |              |              |                       |              |
| Throwaway Size in. (mm)  | 20x20x1<br>508x508x25  | 20x24x1<br>508x610x25 |              |              | 24x30x1<br>610x762x25 |              |

| <b>UNIT SPECIFICATIONS 48 – 60</b>                               |  |              |              |              |              |              |
|--|--|--------------|--------------|--------------|--------------|--------------|
| <b>UNIT SIZE</b>   | <b>48090</b>   | <b>48115</b> | <b>48130</b> | <b>60090</b> | <b>60115</b> | <b>60130</b> |
| <b>NOMINAL CAPACITY (ton)</b>                                    | 4  | 4            | 4            | 5            | 5            | 5            |
| <b>NOMINAL HEATING INPUT (Btu/hrs)</b>                           | 90,000   | 115,000      | 130,000      | 90,000       | 115,000      | 130,000      |
| <b>SHIPPING WEIGHT** lb</b>                                      | 428  | 428          | 428          | 450          | 450          | 450          |
| <b>SHIPPING WEIGHT** kg</b>                                      | 194  | 194          | 194          | 204          | 204          | 204          |
| <b>COMPRESSORS</b>   | Scroll   |              |              |              |              |              |
| Quantity   | 1  |              |              |              |              |              |
| <b>REFRIGERANT (R–410A)</b>                                      |  |              |              |              |              |              |
| Quantity lb  | 6.4  | 6.4          | 6.4          | 10.0         | 10.0         | 10.0         |
| Quantity (kg.)   | 2.9  | 2.9          | 2.9          | 4.5          | 4.5          | 4.5          |
| <b>REFRIGERANT METERING DEVICE</b>                               | TXV  |              |              |              |              |              |
| <b>OUTDOOR COIL</b>  |  |              |              |              |              |              |
| Rows...Fins/in.  | 1...21   | 1...21       | 1...21       | 2...21       | 2...21       | 2...21       |
| Face Area (sq ft)  | 15.5   | 15.5         | 15.5         | 15.5         | 15.5         | 15.5         |
| <b>OUTDOOR FAN</b>   |  |              |              |              |              |              |
| Nominal Cfm  | 4000   | 4000         | 4000         | 3200         | 3200         | 3200         |
| Diameter in.   | 26   | 26           | 26           | 26           | 26           | 26           |
| Diameter (mm)  | 660.4  | 660.4        | 660.4        | 660.4        | 660.4        | 660.4        |
| Motor Hp (Rpm)   | 1/5 (810)  | 1/5 (810)    | 1/5 (810)    | 1/5 (810)    | 1/5 (810)    | 1/5 (810)    |
| <b>INDOOR COIL</b>   |  |              |              |              |              |              |
| Rows...Fins/in.  | 3...17   | 3...17       | 3...17       | 3...17       | 3...17       | 3...17       |
| Face Area (sq ft)  | 4.7  | 4.7          | 4.7          | 5.7          | 5.7          | 5.7          |
| <b>INDOOR BLOWER</b>   |  |              |              |              |              |              |
| Nominal Cooling Airflow (Cfm)                                    | 1600   | 1600         | 1600         | 1750         | 1750         | 1750         |
| Size in.   | 11x10  | 11x10        | 11x10        | 11x10        | 11x10        | 11x10        |
| Size (mm)  | 279.4x254  | 279.4x254    | 279.4x254    | 279.4x254    | 279.4x254    | 279.4x254    |
| Motor HP (RPM)   | 1.0 (1075)   | 1.0 (1075)   | 1.0 (1075)   | 1.0 (1040)   | 1.0 (1040)   | 1.0 (1040)   |
| <b>FURNACE SECTION*</b>  |  |              |              |              |              |              |
| <b>Burner Orifice No.</b>  |  |              |              |              |              |              |
| Natural Gas Qty...Drill Size (Factory Installed)                 | 3...38   | 3...33       | 3...31       | 3...38       | 3...33       | 3...31       |
| Propane Gas  | 3...53   | 3...51       | 3...49       | 3...53       | 3...51       | 3...49       |
| <b>HIGH-PRESSURE SWITCH (psig)</b>                               | <b>Cut-out (Auto) 650 +/- 15</b><br><b>Reset (Auto) 420 +/- 25</b> |              |              |              |              |              |
| <b>LOSS-OF-CHARGE / LOW-PRESSURE SWITCH (Liquid Line) (psig)</b> | <b>Cut-out (Auto) 20 +/- 5</b><br><b>Reset (Auto) 45 +/- 10</b>    |              |              |              |              |              |
| <b>RETURN-AIR FILTERS †‡ Throwaway†‡ in. (mm)</b>                | 24x36x1<br>610x914x25  |              |              |              |              |              |

\*Based on altitude of 0 to 2000 ft (0–610 m).

† Required filter sizes shown are based on the larger of the AHRI (Air Conditioning, Heating, and Refrigeration Institute) rated cooling airflow or the heating airflow velocity of 300 ft/minute for throwaway type. Air filter pressure drop for non-standard filters must not exceed 0.08 in wc.

‡ If using accessory filter rack refer to the filter rack installation instructions for correct filter sizes and quantity.

**UNIT AIRFLOW, Horizontal and Downflow Discharge, Dry Coil**

| Unit<br>PG(D,S)3 | Heating<br>Rise Range<br>°F (°C) | Motor<br>Speed        | Wire<br>Color |                   | External Static Pressure (in wc) |      |      |      |      |      |      |      |      |    |
|------------------|----------------------------------|-----------------------|---------------|-------------------|----------------------------------|------|------|------|------|------|------|------|------|----|
|                  |                                  |                       |               |                   | 0.1                              | 0.2  | 0.3  | 0.4  | 0.5  | 0.6  | 0.7  | 0.8  | 0.9  |    |
| 30040            | 30 – 60<br>(17 – 33)             | Low                   | Blue          | CFM               | 741                              | 638  | 547  | 415  | --   | --   | --   | --   | --   | -- |
|                  |                                  |                       |               | Heating Rise (°F) | 41                               | 47   | 55   | NA   | NA   | NA   | NA   | NA   | NA   |    |
|                  |                                  |                       |               | Heating Rise (°C) | 23                               | 26   | 31   | NA   | NA   | NA   | NA   | NA   | NA   |    |
|                  |                                  | Med-Low <sup>1</sup>  | Pink          | CFM               | 973                              | 887  | 823  | 733  | 665  | 538  | 451  | --   | --   |    |
|                  |                                  |                       |               | Heating Rise (°F) | 31                               | 34   | 37   | 41   | 45   | 56   | NA   | NA   | NA   |    |
|                  |                                  |                       |               | Heating Rise (°C) | 17                               | 19   | 20   | 23   | 25   | 31   | NA   | NA   | NA   |    |
|                  |                                  | Medium                | Red           | CFM               | 1088                             | 1023 | 954  | 881  | 800  | 723  | 658  | 563  | 461  |    |
|                  |                                  |                       |               | Heating Rise (°F) | NA                               | 30   | 32   | 34   | 38   | 42   | 46   | 54   | NA   |    |
|                  |                                  |                       |               | Heating Rise (°C) | NA                               | 16   | 18   | 19   | 21   | 23   | 26   | 30   | NA   |    |
|                  |                                  | Med-High <sup>2</sup> | Orange        | CFM               | 1140                             | 1064 | 996  | 915  | 840  | 758  | 687  | 564  | 480  |    |
|                  |                                  |                       |               | Heating Rise (°F) | NA                               | NA   | 30   | 33   | 36   | 40   | 44   | 54   | NA   |    |
|                  |                                  |                       |               | Heating Rise (°C) | NA                               | NA   | 17   | 18   | 20   | 22   | 24   | 30   | NA   |    |
|                  |                                  | High                  | Black         | CFM               | 1202                             | 1140 | 1082 | 1015 | 961  | 881  | 810  | 732  | 631  |    |
|                  |                                  |                       |               | Heating Rise (°F) | NA                               | NA   | NA   | 30   | 31   | 34   | 37   | 41   | 48   |    |
|                  |                                  |                       |               | Heating Rise (°C) | NA                               | NA   | NA   | 17   | 17   | 19   | 21   | 23   | 27   |    |
| 330060           | 25 – 55<br>(14 – 31)             | Low                   | Blue          | CFM               | 741                              | 638  | 547  | 415  | --   | --   | --   | --   | --   |    |
|                  |                                  |                       |               | Heating Rise (°F) | NA                               | NA   | NA   | NA   | NA   | NA   | NA   | NA   | NA   |    |
|                  |                                  |                       |               | Heating Rise (°C) | NA                               | NA   | NA   | NA   | NA   | NA   | NA   | NA   | NA   |    |
|                  |                                  | Med-Low               | Pink          | CFM               | 973                              | 887  | 823  | 733  | 665  | 538  | 451  | --   | --   |    |
|                  |                                  |                       |               | Heating Rise (°F) | 46                               | 50   | 54   | NA   | NA   | NA   | NA   | NA   | NA   |    |
|                  |                                  |                       |               | Heating Rise (°C) | 25                               | 28   | 30   | NA   | NA   | NA   | NA   | NA   | NA   |    |
|                  |                                  | Medium                | Red           | CFM               | 1088                             | 1023 | 954  | 881  | 800  | 723  | 658  | 563  | 461  |    |
|                  |                                  |                       |               | Heating Rise (°F) | 41                               | 43   | 47   | 50   | NA   | NA   | NA   | NA   | NA   |    |
|                  |                                  |                       |               | Heating Rise (°C) | 23                               | 24   | 26   | 28   | NA   | NA   | NA   | NA   | NA   |    |
|                  |                                  | Med-High <sup>2</sup> | Orange        | CFM               | 1140                             | 1064 | 996  | 915  | 840  | 758  | 687  | 564  | 480  |    |
|                  |                                  |                       |               | Heating Rise (°F) | 39                               | 42   | 45   | 49   | 53   | NA   | NA   | NA   | NA   |    |
|                  |                                  |                       |               | Heating Rise (°C) | 22                               | 23   | 25   | 27   | 29   | NA   | NA   | NA   | NA   |    |
|                  |                                  | High <sup>1</sup>     | Black         | CFM               | 1202                             | 1140 | 1082 | 1015 | 961  | 881  | 810  | 732  | 631  |    |
|                  |                                  |                       |               | Heating Rise (°F) | 37                               | 39   | 41   | 44   | 46   | 50   | 55   | NA   | NA   |    |
|                  |                                  |                       |               | Heating Rise (°C) | 21                               | 22   | 23   | 24   | 26   | 28   | 30   | NA   | NA   |    |
| 336060           | 25 – 55<br>(14 – 31)             | Low <sup>1</sup>      | Blue          | CFM               | 1234                             | 1168 | 1093 | 1021 | 961  | 894  | 825  | 759  | 687  |    |
|                  |                                  |                       |               | Heating Rise (°F) | 36                               | 38   | 41   | 44   | 46   | 50   | 54   | NA   | NA   |    |
|                  |                                  |                       |               | Heating Rise (°C) | 20                               | 21   | 23   | 24   | 26   | 28   | 30   | NA   | NA   |    |
|                  |                                  | Med-Low               | Pink          | CFM               | 1290                             | 1223 | 1154 | 1090 | 1027 | 977  | 894  | 828  | 762  |    |
|                  |                                  |                       |               | Heating Rise (°F) | 34                               | 36   | 39   | 41   | 43   | 45   | 50   | 54   | NA   |    |
|                  |                                  |                       |               | Heating Rise (°C) | 19                               | 20   | 21   | 23   | 24   | 25   | 28   | 30   | NA   |    |
|                  |                                  | Medium                | Red           | CFM               | 1354                             | 1290 | 1226 | 1158 | 1102 | 1046 | 981  | 918  | 843  |    |
|                  |                                  |                       |               | Heating Rise (°F) | 33                               | 34   | 36   | 38   | 40   | 42   | 45   | 48   | 53   |    |
|                  |                                  |                       |               | Heating Rise (°C) | 18                               | 19   | 20   | 21   | 22   | 24   | 25   | 27   | 29   |    |
|                  |                                  | Med-High              | Orange        | CFM               | 1606                             | 1546 | 1489 | 1430 | 1371 | 1316 | 1258 | 1208 | 1140 |    |
|                  |                                  |                       |               | Heating Rise (°F) | 28                               | 29   | 30   | 31   | 32   | 34   | 35   | 37   | 39   |    |
|                  |                                  |                       |               | Heating Rise (°C) | 15                               | 16   | 17   | 17   | 18   | 19   | 20   | 20   | 22   |    |
|                  |                                  | High                  | Black         | CFM               | 1630                             | 1580 | 1517 | 1463 | 1407 | 1339 | 1277 | 1210 | 1131 |    |
|                  |                                  |                       |               | Heating Rise (°F) | 27                               | 28   | 29   | 30   | 32   | 33   | 35   | 37   | 39   |    |
|                  |                                  |                       |               | Heating Rise (°C) | 15                               | 16   | 16   | 17   | 18   | 18   | 19   | 20   | 22   |    |
| 36090            | 35 – 65<br>(19 – 36)             | Low                   | Blue          | CFM               | 1234                             | 1168 | 1093 | 1021 | 961  | 894  | 825  | 759  | 687  |    |
|                  |                                  |                       |               | Heating Rise (°F) | 55                               | 58   | 62   | NA   | NA   | NA   | NA   | NA   | NA   |    |
|                  |                                  |                       |               | Heating Rise (°C) | 31                               | 32   | 35   | NA   | NA   | NA   | NA   | NA   | NA   |    |
|                  |                                  | Med-Low               | Pink          | CFM               | 1290                             | 1223 | 1154 | 1090 | 1027 | 977  | 894  | 828  | 762  |    |
|                  |                                  |                       |               | Heating Rise (°F) | 53                               | 56   | 59   | 62   | NA   | NA   | NA   | NA   | NA   |    |
|                  |                                  |                       |               | Heating Rise (°C) | 29                               | 31   | 33   | 35   | NA   | NA   | NA   | NA   | NA   |    |
|                  |                                  | Medium                | Red           | CFM               | 1354                             | 1290 | 1226 | 1158 | 1102 | 1046 | 981  | 918  | 843  |    |
|                  |                                  |                       |               | Heating Rise (°F) | 50                               | 53   | 55   | 59   | 62   | 65   | NA   | NA   | NA   |    |
|                  |                                  |                       |               | Heating Rise (°C) | 28                               | 29   | 31   | 33   | 34   | 36   | NA   | NA   | NA   |    |
|                  |                                  | Med-High              | Orange        | CFM               | 1606                             | 1546 | 1489 | 1430 | 1371 | 1316 | 1258 | 1208 | 1140 |    |
|                  |                                  |                       |               | Heating Rise (°F) | 42                               | 44   | 46   | 48   | 50   | 52   | 54   | 56   | 60   |    |
|                  |                                  |                       |               | Heating Rise (°C) | 24                               | 24   | 25   | 26   | 28   | 29   | 30   | 31   | 33   |    |
|                  |                                  | High <sup>1</sup>     | Black         | CFM               | 1630                             | 1580 | 1517 | 1463 | 1407 | 1339 | 1277 | 1210 | 1131 |    |
|                  |                                  |                       |               | Heating Rise (°F) | 42                               | 43   | 45   | 46   | 48   | 51   | 53   | 56   | 60   |    |
|                  |                                  |                       |               | Heating Rise (°C) | 23                               | 24   | 25   | 26   | 27   | 28   | 30   | 31   | 33   |    |
| 42060            | 25 – 55<br>(14 – 31)             | Low <sup>1</sup>      | Blue          | CFM               | 1295                             | 1234 | 1182 | 1126 | 1075 | 1016 | 955  | 898  | 857  |    |
|                  |                                  |                       |               | Heating Rise (°F) | 34                               | 36   | 38   | 39   | 41   | 44   | 47   | 49   | 52   |    |
|                  |                                  |                       |               | Heating Rise (°C) | 19                               | 20   | 21   | 22   | 23   | 24   | 26   | 27   | 29   |    |
|                  |                                  | Med-Low               | Pink          | CFM               | 1345                             | 1282 | 1235 | 1194 | 1140 | 1095 | 1027 | 974  | 921  |    |
|                  |                                  |                       |               | Heating Rise (°F) | 33                               | 35   | 36   | 37   | 39   | 41   | 43   | 46   | 48   |    |
|                  |                                  |                       |               | Heating Rise (°C) | 18                               | 19   | 20   | 21   | 22   | 23   | 24   | 25   | 27   |    |
|                  |                                  | Medium                | Red           | CFM               | 1505                             | 1452 | 1413 | 1358 | 1323 | 1282 | 1234 | 1169 | 1130 |    |
|                  |                                  |                       |               | Heating Rise (°F) | 30                               | 31   | 31   | 33   | 34   | 35   | 36   | 38   | 39   |    |
|                  |                                  |                       |               | Heating Rise (°C) | 16                               | 17   | 17   | 18   | 19   | 19   | 20   | 21   | 22   |    |
|                  |                                  | Med-High <sup>2</sup> | Orange        | CFM               | 1545                             | 1492 | 1449 | 1411 | 1362 | 1313 | 1278 | 1231 | 1188 |    |
|                  |                                  |                       |               | Heating Rise (°F) | 29                               | 30   | 31   | 31   | 33   | 34   | 35   | 36   | 37   |    |
|                  |                                  |                       |               | Heating Rise (°C) | 16                               | 17   | 17   | 17   | 18   | 19   | 19   | 20   | 21   |    |
|                  |                                  | High                  | Black         | CFM               | 1705                             | 1643 | 1607 | 1568 | 1518 | 1483 | 1448 | 1404 | 1360 |    |
|                  |                                  |                       |               | Heating Rise (°F) | 26                               | 27   | 28   | 28   | 29   | 30   | 31   | 32   | 33   |    |
|                  |                                  |                       |               | Heating Rise (°C) | 14                               | 15   | 15   | 16   | 16   | 17   | 17   | 18   | 18   |    |

See footnotes following airflow tables.

**509 41 3402 04**

SPECIFICATIONS SUBJECT TO CHANGE WITHOUT NOTICE

**UNIT AIRFLOW, Horizontal and Downflow Discharge, Dry Coil**

| Unit<br>PG(D,S)3 | Heating<br>Rise Range<br>°F (°C) | Motor<br>Speed        | Wire<br>Color | External Static Pressure (in wc) |      |      |      |      |      |      |      |      |      |
|------------------|----------------------------------|-----------------------|---------------|----------------------------------|------|------|------|------|------|------|------|------|------|
|                  |                                  |                       |               | 0.1                              | 0.2  | 0.3  | 0.4  | 0.5  | 0.6  | 0.7  | 0.8  | 0.9  |      |
| 42090            | 35 – 65<br>(19 – 36)             | Low                   | Blue          | CFM                              | 1295 | 1234 | 1182 | 1126 | 1075 | 1016 | 955  | 898  | 857  |
|                  |                                  |                       |               | Heating Rise (°F)                | 53   | 55   | 58   | 60   | 63   | NA   | NA   | NA   | NA   |
|                  |                                  |                       |               | Heating Rise (°C)                | 29   | 31   | 32   | 34   | 35   | NA   | NA   | NA   | NA   |
|                  |                                  | Med-Low               | Pink          | CFM                              | 1345 | 1282 | 1235 | 1194 | 1140 | 1095 | 1027 | 974  | 921  |
|                  |                                  |                       |               | Heating Rise (°F)                | 51   | 53   | 55   | 57   | 60   | 62   | NA   | NA   | NA   |
|                  |                                  |                       |               | Heating Rise (°C)                | 28   | 29   | 31   | 32   | 33   | 35   | NA   | NA   | NA   |
|                  |                                  | Medium <sup>1</sup>   | Red           | CFM                              | 1505 | 1452 | 1413 | 1358 | 1323 | 1282 | 1234 | 1169 | 1130 |
|                  |                                  |                       |               | Heating Rise (°F)                | 45   | 47   | 48   | 50   | 51   | 53   | 55   | 58   | 60   |
|                  |                                  |                       |               | Heating Rise (°C)                | 25   | 26   | 27   | 28   | 29   | 29   | 31   | 32   | 33   |
|                  |                                  | Med-High <sup>2</sup> | Orange        | CFM                              | 1545 | 1492 | 1449 | 1411 | 1362 | 1313 | 1278 | 1231 | 1188 |
|                  |                                  |                       |               | Heating Rise (°F)                | 44   | 46   | 47   | 48   | 50   | 52   | 53   | 55   | 57   |
|                  |                                  |                       |               | Heating Rise (°C)                | 24   | 25   | 26   | 27   | 28   | 29   | 30   | 31   | 32   |
|                  |                                  | High                  | Black         | CFM                              | 1705 | 1643 | 1607 | 1568 | 1518 | 1483 | 1448 | 1404 | 1360 |
|                  |                                  |                       |               | Heating Rise (°F)                | 40   | 41   | 42   | 43   | 45   | 46   | 47   | 48   | 50   |
|                  |                                  |                       |               | Heating Rise (°C)                | 22   | 23   | 24   | 24   | 25   | 25   | 26   | 27   | 28   |
| 48090            | 35 – 65<br>(19 – 36)             | Low <sup>1</sup>      | Blue          | CFM                              | 1402 | 1351 | 1311 | 1263 | 1224 | 1172 | 1136 | 1080 | 1041 |
|                  |                                  |                       |               | Heating Rise (°F)                | 49   | 50   | 52   | 54   | 56   | 58   | 60   | 63   | 65   |
|                  |                                  |                       |               | Heating Rise (°C)                | 27   | 28   | 29   | 30   | 31   | 32   | 33   | 35   | 36   |
|                  |                                  | Med-Low               | Pink          | CFM                              | 1457 | 1404 | 1367 | 1318 | 1284 | 1233 | 1197 | 1144 | 1104 |
|                  |                                  |                       |               | Heating Rise (°F)                | 47   | 48   | 50   | 52   | 53   | 55   | 57   | 59   | 62   |
|                  |                                  |                       |               | Heating Rise (°C)                | 26   | 27   | 28   | 29   | 29   | 31   | 32   | 33   | 34   |
|                  |                                  | Medium <sup>2</sup>   | Red           | CFM                              | 1736 | 1695 | 1642 | 1601 | 1553 | 1512 | 1465 | 1427 | 1381 |
|                  |                                  |                       |               | Heating Rise (°F)                | 39   | 40   | 41   | 42   | 44   | 45   | 46   | 48   | 49   |
|                  |                                  |                       |               | Heating Rise (°C)                | 22   | 22   | 23   | 24   | 24   | 25   | 26   | 26   | 27   |
|                  |                                  | Med-High              | Orange        | CFM                              | 2149 | 2111 | 2062 | 2026 | 1980 | 1945 | 1905 | 1864 | 1793 |
|                  |                                  |                       |               | Heating Rise (°F)                | NA   | NA   | NA   | NA   | NA   | 35   | 36   | 36   | 38   |
|                  |                                  |                       |               | Heating Rise (°C)                | NA   | NA   | NA   | NA   | NA   | 19   | 20   | 20   | 21   |
|                  |                                  | High                  | Black         | CFM                              | 2344 | 2306 | 2259 | 2203 | 2141 | 2070 | 1991 | 1902 | 1803 |
|                  |                                  |                       |               | Heating Rise (°F)                | NA   | NA   | NA   | NA   | NA   | NA   | NA   | 36   | 38   |
|                  |                                  |                       |               | Heating Rise (°C)                | NA   | NA   | NA   | NA   | NA   | NA   | NA   | 20   | 21   |
| 48115            | 30 – 60<br>(17 – 33)             | Low                   | Blue          | CFM                              | 1402 | 1351 | 1311 | 1263 | 1224 | 1172 | 1136 | 1080 | 1041 |
|                  |                                  |                       |               | Heating Rise (°F)                | NA   | NA   | NA   | NA   | NA   | NA   | NA   | NA   | NA   |
|                  |                                  |                       |               | Heating Rise (°C)                | NA   | NA   | NA   | NA   | NA   | NA   | NA   | NA   | NA   |
|                  |                                  | Med-Low               | Pink          | CFM                              | 1457 | 1404 | 1367 | 1318 | 1284 | 1233 | 1197 | 1144 | 1104 |
|                  |                                  |                       |               | Heating Rise (°F)                | 60   | NA   | NA   | NA   | NA   | NA   | NA   | NA   | NA   |
|                  |                                  |                       |               | Heating Rise (°C)                | 33   | NA   | NA   | NA   | NA   | NA   | NA   | NA   | NA   |
|                  |                                  | Medium <sup>2</sup>   | Red           | CFM                              | 1736 | 1695 | 1642 | 1601 | 1553 | 1512 | 1465 | 1427 | 1381 |
|                  |                                  |                       |               | Heating Rise (°F)                | 50   | 51   | 53   | 54   | 56   | 57   | 59   | NA   | NA   |
|                  |                                  |                       |               | Heating Rise (°C)                | 28   | 28   | 29   | 30   | 31   | 32   | 33   | NA   | NA   |
|                  |                                  | Med-High <sup>1</sup> | Orange        | CFM                              | 2149 | 2111 | 2062 | 2026 | 1980 | 1945 | 1905 | 1864 | 1793 |
|                  |                                  |                       |               | Heating Rise (°F)                | 40   | 41   | 42   | 43   | 44   | 45   | 46   | 47   | 48   |
|                  |                                  |                       |               | Heating Rise (°C)                | 22   | 23   | 23   | 24   | 24   | 25   | 25   | 26   | 27   |
|                  |                                  | High                  | Black         | CFM                              | 2344 | 2306 | 2259 | 2203 | 2141 | 2070 | 1991 | 1902 | 1803 |
|                  |                                  |                       |               | Heating Rise (°F)                | 37   | 38   | 38   | 39   | 41   | 42   | 44   | 46   | 48   |
|                  |                                  |                       |               | Heating Rise (°C)                | 21   | 21   | 21   | 22   | 23   | 23   | 24   | 25   | 27   |
| 48130            | 35 – 65<br>(19 – 36)             | Low                   | Blue          | CFM                              | 1402 | 1351 | 1311 | 1263 | 1224 | 1172 | 1136 | 1080 | 1041 |
|                  |                                  |                       |               | Heating Rise (°F)                | NA   | NA   | NA   | NA   | NA   | NA   | NA   | NA   | NA   |
|                  |                                  |                       |               | Heating Rise (°C)                | NA   | NA   | NA   | NA   | NA   | NA   | NA   | NA   | NA   |
|                  |                                  | Med-Low               | Pink          | CFM                              | 1457 | 1404 | 1367 | 1318 | 1284 | 1233 | 1197 | 1144 | 1104 |
|                  |                                  |                       |               | Heating Rise (°F)                | NA   | NA   | NA   | NA   | NA   | NA   | NA   | NA   | NA   |
|                  |                                  |                       |               | Heating Rise (°C)                | NA   | NA   | NA   | NA   | NA   | NA   | NA   | NA   | NA   |
|                  |                                  | Medium <sup>2</sup>   | Red           | CFM                              | 1736 | 1695 | 1642 | 1601 | 1553 | 1512 | 1465 | 1427 | 1381 |
|                  |                                  |                       |               | Heating Rise (°F)                | 55   | 57   | 59   | 60   | 62   | 64   | NA   | NA   | NA   |
|                  |                                  |                       |               | Heating Rise (°C)                | 31   | 32   | 33   | 33   | 34   | 35   | NA   | NA   | NA   |
|                  |                                  | Med-High <sup>1</sup> | Orange        | CFM                              | 2149 | 2111 | 2062 | 2026 | 1980 | 1945 | 1905 | 1864 | 1793 |
|                  |                                  |                       |               | Heating Rise (°F)                | 45   | 46   | 47   | 48   | 49   | 50   | 51   | 52   | 54   |
|                  |                                  |                       |               | Heating Rise (°C)                | 25   | 25   | 26   | 26   | 27   | 28   | 28   | 29   | 30   |
|                  |                                  | High                  | Black         | CFM                              | 2344 | 2306 | 2259 | 2203 | 2141 | 2070 | 1991 | 1902 | 1803 |
|                  |                                  |                       |               | Heating Rise (°F)                | 41   | 42   | 43   | 44   | 45   | 47   | 48   | 51   | 53   |
|                  |                                  |                       |               | Heating Rise (°C)                | 23   | 23   | 24   | 24   | 25   | 26   | 27   | 28   | 30   |

See footnotes following airflow tables.

**UNIT AIRFLOW, Horizontal and Downflow Discharge, Dry Coil**

| Unit<br>PG(D,S)3 | Heating<br>Rise<br>Range<br>°F (°C) | Motor<br>Speed            | Wire<br>Color |                   | External Static Pressure (in wc) |      |      |      |      |      |      |      |      |
|------------------|-------------------------------------|---------------------------|---------------|-------------------|----------------------------------|------|------|------|------|------|------|------|------|
|                  |                                     |                           |               |                   | 0.1                              | 0.2  | 0.3  | 0.4  | 0.5  | 0.6  | 0.7  | 0.8  | 0.9  |
| 60090            | 35 – 65<br>(19 – 36)                | Low <sup>1</sup>          | Blue          | CFM               | 1445                             | 1389 | 1341 | 1281 | 1236 | 1189 | 1139 | 1072 | 1027 |
|                  |                                     |                           |               | Heating Rise (°F) | 47                               | 49   | 51   | 53   | 55   | 57   | 60   | 63   | NA   |
|                  |                                     |                           |               | Heating Rise (°C) | 26                               | 27   | 28   | 29   | 31   | 32   | 33   | 35   | NA   |
|                  |                                     | Med–<br>Low               | Pink          | CFM               | 1678                             | 1635 | 1602 | 1558 | 1513 | 1474 | 1438 | 1404 | 1349 |
|                  |                                     |                           |               | Heating Rise (°F) | 41                               | 42   | 42   | 44   | 45   | 46   | 47   | 48   | 50   |
|                  |                                     |                           |               | Heating Rise (°C) | 23                               | 23   | 24   | 24   | 25   | 26   | 26   | 27   | 28   |
|                  |                                     | Medium <sup>2</sup>       | Red           | CFM               | 1962                             | 1915 | 1880 | 1843 | 1794 | 1753 | 1711 | 1675 | 1628 |
|                  |                                     |                           |               | Heating Rise (°F) | 35                               | 36   | 36   | 37   | 38   | 39   | 40   | 41   | 42   |
|                  |                                     |                           |               | Heating Rise (°C) | 19                               | 20   | 20   | 20   | 21   | 22   | 22   | 23   | 23   |
|                  |                                     | Med–<br>High              | Orange        | CFM               | 2131                             | 2088 | 2065 | 2013 | 1982 | 1941 | 1888 | 1860 | 1785 |
|                  |                                     |                           |               | Heating Rise (°F) | NA                               | NA   | NA   | NA   | NA   | 35   | 36   | 37   | 38   |
|                  |                                     |                           |               | Heating Rise (°C) | NA                               | NA   | NA   | NA   | NA   | 19   | 20   | 20   | 21   |
| High             | Black                               | CFM                       | 2461          | 2409              | 2339                             | 2286 | 2192 | 2140 | 2062 | 1968 | 1874 |      |      |
|                  |                                     | Heating Rise (°F)         | NA            | NA                | NA                               | NA   | NA   | NA   | NA   | 35   | 36   |      |      |
|                  |                                     | Heating Rise (°C)         | NA            | NA                | NA                               | NA   | NA   | NA   | NA   | 19   | 20   |      |      |
| 60115            | 30 – 60<br>(17 – 33)                | Low                       | Blue          | CFM               | 1445                             | 1389 | 1341 | 1281 | 1236 | 1189 | 1139 | 1072 | 1027 |
|                  |                                     |                           |               | Heating Rise (°F) | 60                               | NA   | NA   | NA   | NA   | NA   | NA   | NA   | NA   |
|                  |                                     |                           |               | Heating Rise (°C) | 33                               | NA   | NA   | NA   | NA   | NA   | NA   | NA   | NA   |
|                  |                                     | Med–<br>Low               | Pink          | CFM               | 1678                             | 1635 | 1602 | 1558 | 1513 | 1474 | 1438 | 1404 | 1349 |
|                  |                                     |                           |               | Heating Rise (°F) | 52                               | 53   | 54   | 56   | 57   | 59   | 60   | NA   | NA   |
|                  |                                     |                           |               | Heating Rise (°C) | 29                               | 30   | 30   | 31   | 32   | 33   | 34   | NA   | NA   |
|                  |                                     | Medium <sup>2</sup>       | Red           | CFM               | 1962                             | 1915 | 1880 | 1843 | 1794 | 1753 | 1711 | 1675 | 1628 |
|                  |                                     |                           |               | Heating Rise (°F) | 44                               | 45   | 46   | 47   | 48   | 50   | 51   | 52   | 53   |
|                  |                                     |                           |               | Heating Rise (°C) | 25                               | 25   | 26   | 26   | 27   | 28   | 28   | 29   | 30   |
|                  |                                     | Med–<br>High <sup>1</sup> | Orange        | CFM               | 2131                             | 2088 | 2065 | 2013 | 1982 | 1941 | 1888 | 1860 | 1785 |
|                  |                                     |                           |               | Heating Rise (°F) | 41                               | 42   | 42   | 43   | 44   | 45   | 46   | 47   | 49   |
|                  |                                     |                           |               | Heating Rise (°C) | 23                               | 23   | 23   | 24   | 24   | 25   | 26   | 26   | 27   |
| High             | Black                               | CFM                       | 2461          | 2409              | 2339                             | 2286 | 2192 | 2140 | 2062 | 1968 | 1874 |      |      |
|                  |                                     | Heating Rise (°F)         | 35            | 36                | 37                               | 38   | 40   | 41   | 42   | 44   | 46   |      |      |
|                  |                                     | Heating Rise (°C)         | 20            | 20                | 21                               | 21   | 22   | 23   | 23   | 25   | 26   |      |      |
| 60130            | 35 – 65<br>(19 – 36)                | Low                       | Blue          | CFM               | 1445                             | 1389 | 1341 | 1281 | 1236 | 1189 | 1139 | 1072 | 1027 |
|                  |                                     |                           |               | Heating Rise (°F) | NA                               | NA   | NA   | NA   | NA   | NA   | NA   | NA   | NA   |
|                  |                                     |                           |               | Heating Rise (°C) | NA                               | NA   | NA   | NA   | NA   | NA   | NA   | NA   | NA   |
|                  |                                     | Med–<br>Low               | Pink          | CFM               | 1678                             | 1635 | 1602 | 1558 | 1513 | 1474 | 1438 | 1404 | 1349 |
|                  |                                     |                           |               | Heating Rise (°F) | 57                               | 59   | 60   | 62   | 64   | 65   | NA   | NA   | NA   |
|                  |                                     |                           |               | Heating Rise (°C) | 32                               | 33   | 33   | 34   | 35   | 36   | NA   | NA   | NA   |
|                  |                                     | Medium <sup>2</sup>       | Red           | CFM               | 1962                             | 1915 | 1880 | 1843 | 1794 | 1753 | 1711 | 1675 | 1628 |
|                  |                                     |                           |               | Heating Rise (°F) | 49                               | 50   | 51   | 52   | 54   | 55   | 56   | 57   | 59   |
|                  |                                     |                           |               | Heating Rise (°C) | 27                               | 28   | 28   | 29   | 30   | 31   | 31   | 32   | 33   |
|                  |                                     | Med–<br>High <sup>1</sup> | Orange        | CFM               | 2131                             | 2088 | 2065 | 2013 | 1982 | 1941 | 1888 | 1860 | 1785 |
|                  |                                     |                           |               | Heating Rise (°F) | 45                               | 46   | 47   | 48   | 49   | 50   | 51   | 52   | 54   |
|                  |                                     |                           |               | Heating Rise (°C) | 25                               | 26   | 26   | 27   | 27   | 28   | 28   | 29   | 30   |
| High             | Black                               | CFM                       | 2461          | 2409              | 2339                             | 2286 | 2192 | 2140 | 2062 | 1968 | 1874 |      |      |
|                  |                                     | Heating Rise (°F)         | 39            | 40                | 41                               | 42   | 44   | 45   | 47   | 49   | 51   |      |      |
|                  |                                     | Heating Rise (°C)         | 22            | 22                | 23                               | 23   | 24   | 25   | 26   | 27   | 29   |      |      |

**FOOTNOTES:**

\*Air delivery values are without air filter and are for dry coil (See Horizontal Wet Coil Pressure Drop table).

<sup>1</sup> Factory-shipped heating speed

<sup>2</sup> Factory-shipped cooling speed

"NA" = Not allowed for heating speed

Note: For horizontal applications deduct field-supplied air filter pressure drop and wet coil pressure drop to obtain external static pressure available for ducting.

For downflow applications see Wet Coil Air Delivery Table for available static including wet coil, 1–in. (25 mm) filter and economizer.

Shaded areas indicate speed/static combinations that are not permitted for dehumidification speed.

| <b>HORIZONTAL WET COIL PRESSURE DROP (in wc)</b> |                        |       |       |       |       |       |       |       |       |       |       |       |       |       |       |
|--|------------------------|-------|-------|-------|-------|-------|-------|-------|-------|-------|-------|-------|-------|-------|-------|
| PG(D,S)3<br>UNIT SIZE                            | STANDARD CFM (S.C.F.M) |       |       |       |       |       |       |       |       |       |       |       |       |       |       |
|  | 600                    | 700   | 800   | 900   | 1000  | 1100  | 1200  | 1300  | 1400  | 1500  | 1600  | 1700  | 1800  | 1900  | 2000  |
| 30   | -                      | 0.037 | 0.044 | 0.053 | 0.063 | 0.072 | 0.081 | 0.105 | -     | -     | -     | -     | -     | -     | -     |
| 36   | -                      | -     | -     | 0.055 | 0.060 | 0.090 | 0.100 | 0.110 | 0.140 | -     | -     | -     | -     | -     | -     |
| 42   | -                      | -     | -     | -     | 0.045 | 0.050 | 0.060 | 0.065 | 0.075 | 0.080 | 0.090 | 0.094 | 0.110 | -     | -     |
| 48   | -                      | -     | -     | -     | -     | -     | 0.041 | 0.063 | 0.085 | 0.100 | 0.104 | 0.110 | 0.120 | 0.130 | -     |
| 60   | -                      | -     | -     | -     | -     | -     | -     | -     | -     | 0.060 | 0.065 | 0.072 | 0.077 | 0.085 | 0.100 |

| <b>DOWNFLOW WET COIL PRESSURE DROP (in wc) – HIGH SPEED with 1 inch (25mm) Filter and Economizer</b> |                                  |      |      |      |      |      |      |      |      |      |
|--|----------------------------------|------|------|------|------|------|------|------|------|------|
| PG(D,S)3 UNIT SIZE   | EXTERNAL STATIC PRESSURE (in wc) |      |      |      |      |      |      |      |      |      |
|  | 0.1                              | 0.2  | 0.3  | 0.4  | 0.5  | 0.6  | 0.7  | 0.8  | 0.9  | 1.0  |
| 36   | 1333                             | 1289 | 1256 | 1214 | 1152 | 1118 | 1076 | 1035 | 997  | 950  |
| 42   | 1612                             | 1569 | 1527 | 1481 | 1451 | 1393 | 1351 | 1317 | 1278 | 1242 |
| 48   | 2166                             | 2085 | 2002 | 1919 | 1798 | 1709 | 1582 | 1467 | 1270 | 988  |
| 60   | 2298                             | 2239 | 2180 | 2110 | 2044 | 1951 | 1862 | 1777 | 1697 | 1591 |

### HORIZONTAL FILTER PRESSURE DROP (in wc)

| FILTER SIZE<br>in. (mm) | CFM  |      |      |      |      |      |      |      |      |      |      |      |      |      |      |      |      |      |      |
|-------------------------|------|------|------|------|------|------|------|------|------|------|------|------|------|------|------|------|------|------|------|
|                         | 500  | 600  | 700  | 800  | 900  | 1000 | 1100 | 1200 | 1300 | 1400 | 1500 | 1600 | 1700 | 1800 | 1900 | 2000 | 2100 | 2200 | 2300 |
| 20X20X1<br>(508X508X25) | 0.05 | 0.07 | 0.08 | 0.1  | 0.12 | 0.13 | 0.14 | 0.15 | —    | —    | —    | —    | —    | —    | —    | —    | —    | —    | —    |
| 20X24X1<br>(508X610X25) | —    | —    | —    | —    | 0.09 | 0.10 | 0.11 | 0.13 | 0.14 | 0.15 | 0.16 | —    | —    | —    | —    | —    | —    | —    |      |
| 24X30X1<br>(610X762X25) | —    | —    | —    | 0.04 | 0.05 | 0.06 | 0.07 | 0.07 | 0.08 | 0.09 | 0.1  | —    | —    | —    | —    | —    | —    | —    |      |
| 24X36X1<br>(610X914X25) | —    | —    | —    | —    | —    | —    | —    | 0.06 | 0.07 | 0.07 | 0.08 | 0.09 | 0.09 | 0.10 | 0.11 | 0.12 | 0.13 | 0.14 | 0.14 |

### HORIZONTAL ECONOMIZER 1 inch (25mm) FILTER PRESSURE DROP (in wc)

| UNIT PG(D,S)3 | PRESSURE DROP |
|---------------|---------------|
| 30-36         | 0.20          |
| 42-60         | 0.25          |

### NATURAL GAS ORIFICE SIZES AND MANIFOLD PRESSURE

| Nameplate Input<br>(Btu/hr) |                   | ALTITUDE OF INSTALLATION (FT. ABOVE SEA LEVEL) U.S.A.* |                                 |                                 |                                  |                                  |
|-----------------------------|-------------------|--|---------------------------------|---------------------------------|----------------------------------|----------------------------------|
|                             |                   | 0 to 2000<br>(0-610 m)                                 | 2001 to 3000*<br>(611 to 914 m) | 3001 to 4000<br>(915 to 1219 m) | 4001 to 5000<br>(1220 to 1524 m) | 5001 to 6000<br>(1524 to 1829 m) |
| 40000                       | Orifice No. (Qty) | 44 (2)   | 45 (2)†                         | 48 (2)†                         | 48 (2)†                          | 48 (2)†                          |
|                             | Manifold Press.   | 3.2  | 3.2                             | 3.8                             | 3.5                              | 3.2                              |
| 60000                       | Orifice No. (Qty) | 38 (2)   | 41 (2)†                         | 41 (2)†                         | 42 (2)†                          | 42 (2)†                          |
|                             | Manifold Press.   | 3.6  | 3.8                             | 3.4                             | 3.4                              | 3.2                              |
| 90000                       | Orifice No. (Qty) | 38 (3)   | 41 (3)†                         | 41 (3)†                         | 42 (3)†                          | 42 (3)†                          |
|                             | Manifold Press.   | 3.6  | 3.8                             | 3.4                             | 3.4                              | 3.2                              |
| 115000                      | Orifice No. (Qty) | 33 (3)   | 36 (3)†                         | 36 (3)†                         | 36 (3)†                          | 38 (3)†                          |
|                             | Manifold Press.   | 3.8  | 3.8                             | 3.6                             | 3.3                              | 3.6                              |
| 130000                      | Orifice No. (Qty) | 31 (3)   | 31 (3)                          | 33 (3)†                         | 33 (3)†                          | 34 (3)†                          |
|                             | Manifold Press.   | 3.8  | 3.2                             | 3.7                             | 3.4                              | 3.3                              |

\*In the U.S.A., the input rating for altitudes above 2000 ft (610m) must be reduced by 4% for each 1000 ft (305 m) above Sea level.  
 In Canada, the input rating for altitudes from 2001 to 4500 ft (611 to 1372 m) above sea level must be derated by 10% by an authorized gas conversion station or dealer.  
 For Canadian Installations from 2000 to 4500 ft, use U.S.A. column 2001 to 3000 ft.  
 Note: Orifice sizes and manifold pressure settings are based on natural gas with a heating value of 1025 Btu/ft<sup>3</sup> and a specific gravity of .6.  
 † Orifices available through your distributor.

### PROPANE GAS ORIFICE SIZES AND MANIFOLD PRESSURE

| Nameplate Input<br>(Btu/hr) |                       | ALTITUDE OF INSTALLATION (FT. ABOVE SEA LEVEL) U.S.A.* |                                 |                                 |                                  |                                  |
|-----------------------------|-----------------------|--|---------------------------------|---------------------------------|----------------------------------|----------------------------------|
|                             |                       | 0 to 2000<br>(0-610 m)                                 | 2001 to 3000*<br>(611 to 914 m) | 3001 to 4000<br>(915 to 1219 m) | 4001 to 5000<br>(1220 to 1524 m) | 5001 to 6000<br>(1524 to 1829 m) |
| 40000                       | Orifice No. (Qty)     | 55 (2)   | 56 (2)                          | 56 (2)                          | 56 (2)                           | 56 (2)                           |
|                             | Manifold Press. ("WC) | 10.0   | 11.0                            | 11.0                            | 11.0                             | 10.7                             |
| 60000                       | Orifice No. (Qty)     | 53 (2)   | 54 (2)                          | 54 (2)                          | 54 (2)                           | 54 (2)                           |
|                             | Manifold Press. ("WC) | 10.0   | 11.0                            | 11.0                            | 11.0                             | 11.0                             |
| 90000                       | Orifice No. (Qty)     | 53 (3)   | 54 (3)                          | 54 (3)                          | 54 (3)                           | 54 (3)                           |
|                             | Manifold Press. ("WC) | 10.0   | 11.0                            | 11.0                            | 11.0                             | 11.0                             |
| 115000                      | Orifice No. (Qty)     | 51 (3)   | 52 (3)                          | 52 (3)                          | 53 (3)                           | 53 (3)                           |
|                             | Manifold Press. ("WC) | 10.0   | 11.0                            | 10.6                            | 11.0                             | 11.0                             |
| 130000                      | Orifice No. (Qty)     | 49 (3)   | 50 (3)                          | 51 (3)                          | 52 (3)                           | 52 (3)                           |
|                             | Manifold Press. ("WC) | 10.0   | 11.0                            | 11.0                            | 11.0                             | 11.0                             |

\*In the U.S.A., the input rating for altitudes above 2000 ft (610m) must be reduced by 4% for each 1000 ft (305 m) above Sea level.  
 In Canada, the input rating for altitudes from 2001 to 4500 ft (611 to 1372 m) above sea level must be derated by 10% by an authorized gas conversion station or dealer.  
 For Canadian Installations from 2000 to 4500 ft, use U.S.A. column 2001 to 3000 ft.  
 †Use Kit No. NPLPCONV013A00 (0-2000 ft [0-610 m] above sea level). Use Kit No. NPLPCONV014A00 (2001-6000 ft [611-1829 m] above sea level).

### HIGH ALTITUDE COMPENSATION, NATURAL GAS

| Nameplate Input<br>(Btu/hr) | 0 to 2000 ft<br>(0-610 m)   | 2001 to 3000 ft*<br>(611 to 914 m) | 3001 to 4000 ft<br>(915 to 1219 m) | 4001 to 5000 ft<br>(1220 to 1524 m) | 5001 to 6000 ft<br>(1524 to 1829 m) |
|-----------------------------|---|------------------------------------|------------------------------------|-------------------------------------|-------------------------------------|
|                             | Rated Heating Input (Btu/hr), Natural Gas at Installation Altitude Above Sea Level, U.S.A.* |                                    |                                    |                                     |                                     |
| 40000                       | 40000   | 36000                              | 34400                              | 32800                               | 31200                               |
| 60000                       | 60000   | 54000                              | 51600                              | 49200                               | 46800                               |
| 90000                       | 90000   | 81000                              | 77400                              | 73800                               | 70200                               |
| 115000                      | 115000  | 103500                             | 98900                              | 94300                               | 89700                               |
| 130000                      | 130000  | 117000                             | 111800                             | 106600                              | 101400                              |

\*In the U.S.A., the input rating for altitudes above 2000 ft (610m) must be reduced by 4% for each 1000 ft (305 m) above Sea level.  
 In Canada, the input rating for altitudes from 2001 to 4500 ft (611 to 1372 m) above sea level must be derated by 10% by an authorized gas conversion station or dealer.  
 For Canadian Installations from 2000 to 4500 ft (610-1372 m), use U.S.A. column 2001 to 3000 ft (611 to 914 m).

### HIGH ALTITUDE COMPENSATION, PROPANE GAS

| Nameplate Input<br>(Btu/hr) | 0 to 2000 ft<br>(0-610 m)  | 2001 to 3000 ft*<br>(611 to 914 m) | 3001 to 4000 ft<br>(915 to 1219 m) | 4001 to 5000 ft<br>(1220 to 1524 m) | 5001 to 6000 ft<br>(1524 to 1829 m) |
|-----------------------------|--|------------------------------------|------------------------------------|-------------------------------------|-------------------------------------|
|                             | Rated Heating Input (Btu/hr), LP Gas at Installation Altitude Above Sea Level, U.S.A.* |                                    |                                    |                                     |                                     |
| 40000                       | 38000  | 31700                              | 31700                              | 31700                               | 31200                               |
| 60000                       | 53000  | 45900                              | 45900                              | 45800                               | 45800                               |
| 90000                       | 79000  | 68900                              | 68900                              | 68600                               | 68600                               |
| 115000                      | 103000   | 100400                             | 98900                              | 83000                               | 83000                               |
| 130000                      | 116000   | 115500                             | 111800                             | 101300                              | 100400                              |

\*In the U.S.A., the input rating for altitudes above 2000 ft (610m) must be reduced by 4% for each 1000 ft (305 m) above Sea level.  
 In Canada, the input rating for altitudes from 2001 to 4500 ft (611 to 1372 m) above sea level must be derated by 10% by an authorized gas conversion station or dealer.  
 For Canadian Installations from 2000 to 4500 ft (610-1372 m), use U.S.A. column 2001 to 3000 ft (611 to 914 m).

### A-WEIGHTED SOUND POWER LEVEL (dBA)

| UNIT PG(D,S)3 | STANDARD<br>RATING dBA | TYPICAL OCTAVE BAND SPECTRUM (dBA without tone adjustment) |      |      |      |      |      |      |
|---------------|------------------------|--|------|------|------|------|------|------|
|               |                        | 125  | 250  | 500  | 1000 | 2000 | 4000 | 8000 |
| 30            | 75                     | 66.0   | 63.5 | 68.0 | 68.5 | 67.5 | 61.5 | 55.0 |
| 36            | 75                     | 64.0   | 63.5 | 68.0 | 70.5 | 64.5 | 61.0 | 61.0 |
| 42            | 77                     | 67.0   | 67.0 | 69.5 | 70.5 | 68.0 | 65.5 | 61.0 |
| 48            | 78                     | 71.5   | 66.5 | 73.0 | 71.5 | 68.0 | 64.0 | 57.0 |
| 60            | 78                     | 74.5   | 66.5 | 70.0 | 70.0 | 66.5 | 64.0 | 57.0 |

\* Tested in accordance with AHRI Standard 270 (not listed in AHRI).



**PG(D,S)330 EXTENDED COOLING PERFORMANCE**

| EVAPORATOR AIR |            | CONDENSER ENTERING AIR TEMPERATURES deg F |       |                 |       |                |       |                 |       |                |       |                 |       |                |       |                 |       |                |       |                 |       |                |       |                 |  |
|----------------|------------|---|-------|-----------------|-------|----------------|-------|-----------------|-------|----------------|-------|-----------------|-------|----------------|-------|-----------------|-------|----------------|-------|-----------------|-------|----------------|-------|-----------------|--|
|                |            | 75 (23.8 °C)                              |       |                 |       | 85 (29.4 °C)   |       |                 |       | 95 (35 °C)     |       |                 |       | 105 (40.5 °C)  |       |                 |       | 115 (46.1 °C)  |       |                 |       | 125 (51.6 °C)  |       |                 |  |
|                |            | Capacity MBtuh                            |       | Total System KW |       | Capacity MBtuh |       | Total System KW |       | Capacity MBtuh |       | Total System KW |       | Capacity MBtuh |       | Total System KW |       | Capacity MBtuh |       | Total System KW |       | Capacity MBtuh |       | Total System KW |  |
| CFM/ BF        | EWB        | Total                                     | Sens  | Total           | Sens  | Total          | Sens  | Total           | Sens  | Total          | Sens  | Total           | Sens  | Total          | Sens  | Total           | Sens  | Total          | Sens  | Total           | Sens  | Total          | Sens  |                 |  |
| 875(0.03)      | 57 (13.8)  | 29.20                                     | 29.20 | 2.09            | 27.20 | 27.20          | 25.19 | 25.19           | 2.52  | 23.18          | 23.18 | 2.77            | 21.16 | 21.16          | 2.77  | 19.13           | 19.13 | 3.04           | 17.11 | 17.11           | 3.32  | 15.08          | 15.08 | 3.59            |  |
|                | 62 (16.6)  | 30.09                                     | 26.44 | 2.09            | 27.78 | 25.28          | 24.10 | 24.10           | 2.52  | 23.22          | 23.12 | 2.77            | 21.16 | 21.16          | 2.77  | 19.12           | 19.12 | 3.04           | 17.12 | 17.12           | 3.32  | 15.09          | 15.09 | 3.59            |  |
|                | 63* (17.2) | 30.75                                     | 21.65 | 2.09            | 28.36 | 21.56          | 23.63 | 18.51           | 2.52  | 23.63          | 18.51 | 2.77            | 21.26 | 17.45          | 2.77  | 18.90           | 16.38 | 3.04           | 16.38 | 3.32            | 14.33 | 13.32          | 3.59  | 11.32           |  |
|                | 67 (19.4)  | 33.12                                     | 22.39 | 2.08            | 30.58 | 21.34          | 28.05 | 20.29           | 2.52  | 24.00          | 19.23 | 2.77            | 23.00 | 18.16          | 2.77  | 20.48           | 17.08 | 3.04           | 17.08 | 3.32            | 15.03 | 13.03          | 3.59  | 11.03           |  |
|                | 72 (22.2)  | 36.50                                     | 18.28 | 2.08            | 33.73 | 17.33          | 30.97 | 16.37           | 2.29  | 28.22          | 15.41 | 2.77            | 25.48 | 14.44          | 2.77  | 22.73           | 13.46 | 3.04           | 13.46 | 3.32            | 11.46 | 9.46           | 3.59  | 7.46            |  |
| 1000(0.03)     | 57 (13.8)  | 30.51                                     | 28.39 | 2.12            | 28.39 | 26.27          | 26.27 | 2.56            | 24.14 | 24.14          | 2.80  | 22.01           | 22.01 | 3.07           | 19.87 | 19.87           | 3.35  | 17.82          | 17.82 | 3.63            | 15.77 | 15.77          | 3.90  |                 |  |
|                | 62 (16.6)  | 30.85                                     | 28.45 | 2.12            | 28.49 | 28.24          | 26.26 | 2.56            | 24.14 | 24.14          | 2.80  | 22.01           | 22.01 | 3.07           | 19.86 | 19.86           | 3.35  | 17.81          | 17.81 | 3.63            | 15.76 | 15.76          | 3.90  |                 |  |
|                | 63* (17.2) | 31.44                                     | 23.11 | 2.12            | 28.97 | 22.02          | 26.51 | 20.83           | 2.56  | 24.07          | 19.84 | 2.81            | 22.03 | 18.73          | 2.81  | 17.60           | 15.60 | 3.07           | 15.60 | 3.35            | 13.55 | 11.55          | 3.90  |                 |  |
|                | 67 (19.4)  | 33.86                                     | 23.94 | 2.12            | 31.22 | 22.85          | 28.60 | 21.75           | 2.55  | 25.99          | 20.65 | 2.80            | 23.40 | 19.53          | 2.80  | 20.80           | 18.40 | 3.07           | 18.40 | 3.35            | 16.35 | 14.35          | 3.90  |                 |  |
|                | 72 (22.2)  | 37.30                                     | 19.27 | 2.11            | 34.43 | 18.29          | 31.58 | 17.30           | 2.32  | 28.74          | 16.31 | 2.55            | 25.91 | 15.31          | 2.55  | 23.07           | 14.29 | 3.07           | 14.29 | 3.35            | 12.29 | 10.29          | 3.90  |                 |  |
| 1125(0.04)     | 57 (13.8)  | 31.61                                     | 31.61 | 2.15            | 29.39 | 29.39          | 27.17 | 27.17           | 2.59  | 24.95          | 24.95 | 2.84            | 22.72 | 22.72          | 3.10  | 20.48           | 20.48 | 3.39           | 18.43 | 18.43           | 3.67  | 16.38          | 16.38 | 3.94            |  |
|                | 62 (16.6)  | 31.61                                     | 31.61 | 2.15            | 29.39 | 29.39          | 27.17 | 27.17           | 2.59  | 24.95          | 24.95 | 2.84            | 22.72 | 22.72          | 3.10  | 20.48           | 20.48 | 3.39           | 18.43 | 18.43           | 3.67  | 16.38          | 16.38 | 3.94            |  |
|                | 63* (17.2) | 31.97                                     | 24.51 | 2.15            | 29.43 | 23.38          | 27.17 | 21.10           | 2.84  | 24.41          | 21.10 | 2.84            | 22.72 | 22.72          | 3.10  | 19.45           | 18.75 | 3.10           | 18.75 | 3.39            | 16.75 | 15.75          | 3.94  |                 |  |
|                | 67 (19.4)  | 34.42                                     | 25.44 | 2.15            | 31.71 | 24.30          | 29.02 | 23.16           | 2.59  | 26.35          | 22.01 | 2.84            | 23.69 | 20.84          | 2.84  | 21.05           | 19.65 | 3.10           | 19.65 | 3.39            | 17.65 | 16.65          | 3.94  |                 |  |
|                | 72 (22.2)  | 37.91                                     | 20.22 | 2.14            | 34.96 | 19.20          | 32.03 | 18.19           | 2.58  | 28.12          | 17.17 | 2.83            | 26.22 | 16.14          | 2.83  | 23.32           | 15.10 | 3.10           | 15.10 | 3.39            | 13.10 | 11.10          | 3.94  |                 |  |

**PG(D,S)336 EXTENDED COOLING PERFORMANCE**

| EVAPORATOR AIR |            | CONDENSER ENTERING AIR TEMPERATURES deg F |       |                 |       |                |       |                 |      |                |       |                 |       |                |      |                 |       |                |       |                 |      |                |       |                 |  |
|----------------|------------|---|-------|-----------------|-------|----------------|-------|-----------------|------|----------------|-------|-----------------|-------|----------------|------|-----------------|-------|----------------|-------|-----------------|------|----------------|-------|-----------------|--|
|                |            | 75 (23.8 °C)                              |       |                 |       | 85 (29.4 °C)   |       |                 |      | 95 (35 °C)     |       |                 |       | 105 (40.5 °C)  |      |                 |       | 115 (46.1 °C)  |       |                 |      | 125 (51.6 °C)  |       |                 |  |
|                |            | Capacity MBtuh                            |       | Total System KW |       | Capacity MBtuh |       | Total System KW |      | Capacity MBtuh |       | Total System KW |       | Capacity MBtuh |      | Total System KW |       | Capacity MBtuh |       | Total System KW |      | Capacity MBtuh |       | Total System KW |  |
| CFM/ BF        | EWB        | Total                                     | Sens  | Total           | Sens  | Total          | Sens  | Total           | Sens | Total          | Sens  | Total           | Sens  | Total          | Sens | Total           | Sens  | Total          | Sens  | Total           | Sens | Total          | Sens  |                 |  |
| 105(0.04)      | 57 (13.8)  | 35.66                                     | 35.66 | 2.38            | 32.84 | 32.84          | 30.06 | 30.06           | 3.07 | 27.32          | 27.32 | 3.47            | 24.62 | 24.62          | 3.91 | 21.93           | 21.93 | 4.44           | 19.88 | 19.88           | 4.91 | 17.33          | 17.33 | 5.38            |  |
|                | 62 (16.6)  | 37.06                                     | 32.25 | 2.39            | 33.82 | 30.46          | 27.71 | 27.71           | 3.07 | 27.56          | 26.88 | 3.47            | 24.62 | 24.62          | 3.91 | 21.93           | 21.93 | 4.44           | 19.88 | 19.88           | 4.91 | 17.33          | 17.33 | 5.38            |  |
|                | 63* (17.2) | 37.87                                     | 26.52 | 2.39            | 34.55 | 21.82          | 31.28 | 23.87           | 3.08 | 28.09          | 20.29 | 3.48            | 24.95 | 20.29          | 3.91 | 18.77           | 18.77 | 4.39           | 16.77 | 16.77           | 4.91 | 14.77          | 14.77 | 5.38            |  |
|                | 67 (19.4)  | 40.79                                     | 27.41 | 2.39            | 37.23 | 25.80          | 33.74 | 24.21           | 3.08 | 30.32          | 22.84 | 3.48            | 26.86 | 21.09          | 3.92 | 19.54           | 19.54 | 4.39           | 18.54 | 18.54           | 4.91 | 16.54          | 16.54 | 5.38            |  |
|                | 72 (22.2)  | 44.91                                     | 22.49 | 2.43            | 41.02 | 21.04          | 37.19 | 19.62           | 3.09 | 33.45          | 18.21 | 3.49            | 28.35 | 16.22          | 3.93 | 15.44           | 15.44 | 4.40           | 14.44 | 14.44           | 4.91 | 12.44          | 12.44 | 5.38            |  |
| 1200(0.04)     | 57 (13.8)  | 37.24                                     | 34.27 | 2.43            | 34.27 | 34.27          | 31.33 | 31.33           | 3.12 | 28.44          | 28.44 | 3.52            | 25.58 | 25.58          | 3.96 | 22.75           | 22.75 | 4.44           | 20.75 | 20.75           | 4.91 | 18.15          | 18.15 | 5.38            |  |
|                | 62 (16.6)  | 37.97                                     | 34.65 | 2.43            | 34.64 | 32.72          | 31.35 | 31.35           | 3.12 | 28.43          | 28.43 | 3.52            | 25.58 | 25.58          | 3.96 | 22.75           | 22.75 | 4.44           | 20.75 | 20.75           | 4.91 | 18.15          | 18.15 | 5.38            |  |
|                | 63* (17.2) | 38.73                                     | 28.25 | 2.43            | 35.29 | 26.59          | 33.72 | 26.59           | 3.12 | 28.60          | 23.32 | 3.52            | 25.58 | 25.58          | 3.96 | 22.75           | 22.75 | 4.44           | 20.75 | 20.75           | 4.91 | 18.15          | 18.15 | 5.38            |  |
|                | 67 (19.4)  | 41.71                                     | 29.24 | 2.44            | 38.02 | 27.56          | 34.40 | 25.90           | 3.13 | 30.86          | 24.26 | 3.53            | 27.40 | 22.63          | 3.97 | 20.00           | 21.00 | 4.44           | 19.00 | 19.00           | 4.91 | 17.00          | 17.00 | 5.38            |  |
|                | 72 (22.2)  | 45.90                                     | 24.82 | 2.44            | 41.86 | 22.62          | 37.91 | 20.68           | 2.77 | 33.45          | 17.79 | 3.54            | 30.26 | 17.79          | 3.98 | 16.36           | 16.36 | 4.45           | 14.36 | 14.36           | 4.91 | 12.36          | 12.36 | 5.38            |  |
| 1350(0.05)     | 57 (13.8)  | 38.59                                     | 38.59 | 2.48            | 35.47 | 35.47          | 32.40 | 32.40           | 3.17 | 29.37          | 29.37 | 3.57            | 26.39 | 26.39          | 4.01 | 23.43           | 23.43 | 4.49           | 21.43 | 21.43           | 4.91 | 19.43          | 19.43 | 5.38            |  |
|                | 62 (16.6)  | 38.79                                     | 36.79 | 2.48            | 35.46 | 35.46          | 32.39 | 32.39           | 3.17 | 29.37          | 29.37 | 3.57            | 26.38 | 26.38          | 4.01 | 23.43           | 23.43 | 4.49           | 21.43 | 21.43           | 4.91 | 19.43          | 19.43 | 5.38            |  |
|                | 63* (17.2) | 39.40                                     | 29.81 | 2.48            | 35.65 | 28.18          | 32.38 | 26.47           | 3.17 | 28.89          | 24.78 | 3.57            | 25.69 | 23.09          | 4.01 | 21.40           | 21.40 | 4.49           | 19.40 | 19.40           | 4.91 | 17.40          | 17.40 | 5.38            |  |
|                | 67 (19.4)  | 42.41                                     | 29.26 | 2.48            | 38.61 | 29.26          | 34.89 | 27.52           | 3.18 | 31.27          | 25.81 | 3.58            | 27.72 | 24.10          | 4.02 | 22.39           | 22.39 | 4.49           | 20.39 | 20.39           | 4.91 | 18.39          | 18.39 | 5.38            |  |
|                | 72 (22.2)  | 46.65                                     | 24.71 | 2.48            | 42.51 | 23.22          | 38.45 | 21.70           | 3.18 | 34.49          | 20.20 | 3.58            | 30.61 | 18.72          | 4.03 | 17.24           | 17.24 | 4.50           | 15.24 | 15.24           | 4.91 | 13.24          | 13.24 | 5.38            |  |

**PG(D,S)342 EXTENDED COOLING PERFORMANCE**

| EVAPORATOR AIR |            | CONDENSER ENTERING AIR TEMPERATURES deg F |       |                 |       |                |       |                 |       |                |       |                 |       |                |      |                 |       |                |       |                 |         |                |       |                 |  |
|----------------|------------|---|-------|-----------------|-------|----------------|-------|-----------------|-------|----------------|-------|-----------------|-------|----------------|------|-----------------|-------|----------------|-------|-----------------|---------|----------------|-------|-----------------|--|
|                |            | 75 (23.8 °C)                              |       |                 |       | 85 (29.4 °C)   |       |                 |       | 95 (35 °C)     |       |                 |       | 105 (40.5 °C)  |      |                 |       | 115 (46.1 °C)  |       |                 |         | 125 (51.6 °C)  |       |                 |  |
|                |            | Capacity MBtuh                            |       | Total System KW |       | Capacity MBtuh |       | Total System KW |       | Capacity MBtuh |       | Total System KW |       | Capacity MBtuh |      | Total System KW |       | Capacity MBtuh |       | Total System KW |         | Capacity MBtuh |       | Total System KW |  |
| CFM/ BF        | EWB        | Total                                     | Sens  | Total           | Sens  | Total          | Sens  | Total           | Sens  | Total          | Sens  | Total           | Sens  | Total          | Sens | Total           | Sens  | Total          | Sens  | Total           | Sens    | Total          | Sens  |                 |  |
| 1225(0.03)     | 57 (13.8)  | 40.45                                     | 40.45 | 3.00            | 37.98 | 37.98          | 35.49 | 35.49           | 3.76  | 32.98          | 32.98 | 4.20            | 30.44 | 30.44          | 4.65 | 27.84           | 27.84 | 5.10           | 25.84 | 25.84           | 5.10    | 23.84          | 23.84 | 5.10            |  |
|                | 62 (16.6)  | 42.06                                     | 37.63 | 2.94            | 39.15 | 35.73          | 36.25 | 33.83           | 3.74  | 33.37          | 31.92 | 4.18            | 30.48 | 30.39          | 4.64 | 27.88           | 27.88 | 5.10           | 25.90 | 25.90           | 5.10    | 23.90          | 23.90 | 5.10            |  |
|                | 63* (17.2) | 42.93                                     | 30.96 | 2.91            | 39.95 | 29.27          | 33.31 | 27.59           | 3.72  | 33.97          | 25.92 | 4.17            | 30.95 | 24.26          | 4.63 | 27.90           | 22.59 | 4.99           | 22.59 | 4.99            | 20.59   | 18.59          | 4.99  |                 |  |
|                | 67 (19.4)  | 46.12                                     | 31.94 | 2.80            | 42.92 | 30.23          | 36.53 | 28.52           | 3.61  | 36.83          | 26.83 | 4.05            | 33.31 | 25.15          | 4.52 | 30.04           | 23.46 | 4.99           | 23.46 | 4.99            | 21.46   | 18.46          | 4.99  |                 |  |
|                | 72 (22.2)  | 50.58                                     | 26.16 | 2.85            | 47.09 | 24.61          | 40.11 | 21.56           | 3.46  | 40.11          | 21.56 | 3.90            | 36.60 | 20.05          | 4.04 | 33.04           | 18.53 | 4.84           | 18.53 | 4.84            | 16.53   | 14.53          | 4.84  |                 |  |
| 1400(0.04)     | 57 (13.8)  | 42.24                                     | 42.24 | 2.88            | 39.61 | 39.61          | 36.97 | 36.97           | 3.76  | 34.32          | 34.32 | 4.18            | 31.63 | 31.63          | 4.63 | 28.88           | 28.88 | 5.08           | 26.88 | 26.88           | 5.08    | 24.88          | 24.88 | 5.08            |  |
|                | 62 (16.6)  | 43.11                                     | 40.44 | 2.85            | 40.11 | 38.28          | 37.15 | 36.28           | 3.74  | 34.31          | 34.31 | 4.18            | 31.62 | 31.62          | 4.63 | 28.88           | 28.88 | 5.08           | 26.88 | 26.88           | 5.08    | 24.88          | 24.88 | 5.08            |  |
|                | 63* (17.2) | 43.91                                     | 32.97 | 2.82            | 40.81 | 31.21          | 37.32 | 31.71           | 29.25 | 32.92          | 27.70 | 4.18            | 31.69 | 25.96          | 4.64 | 28.35           | 24.21 | 5.12           | 24.21 | 5.12            | 22.21   | 20.21          | 5.12  |                 |  |
|                | 67 (19.4)  | 47.15                                     | 34.07 | 2.81            | 43.82 | 32.28          | 40.50 | 30.50           | 3.62  | 37.19          | 28.73 | 4.06            | 33.86 | 26.97          | 4.58 | 30.50           | 25.20 | 5.00           | 25.20 | 5.00            | 23.20   | 21.20          | 5.00  |                 |  |
|                | 72 (22.2)  | 51.67                                     | 27.51 | 2.85            | 48.05 | 25.91          | 44.22 | 24.32           | 3.46  | 44.22          | 22.75 | 3.91            | 37.19 | 19.62          | 4.85 | 23.62           | 21.62 | 4.85           | 21.62 | 4.85            | 19.62</ |                |       |                 |  |

**PG(D,S)348 EXTENDED COOLING PERFORMANCE**

| EVAPORATOR AIR |     | CONDENSER ENTERING AIR TEMPERATURES deg F |       |                 |       |                |      |                 |       |                |       |                 |       |                |       |                 |       |                |       |                 |       |                |       |                 |  |
|----------------|-----|---|-------|-----------------|-------|----------------|------|-----------------|-------|----------------|-------|-----------------|-------|----------------|-------|-----------------|-------|----------------|-------|-----------------|-------|----------------|-------|-----------------|--|
|                |     | 75 (23.8°C)                               |       |                 |       | 85 (29.4°C)    |      |                 |       | 95 (35°C)      |       |                 |       | 105 (40.5°C)   |       |                 |       | 115 (46.1°C)   |       |                 |       | 125 (51.6°C)   |       |                 |  |
|                |     | Capacity MBtuh                            |       | Total System KW |       | Capacity MBtuh |      | Total System KW |       | Capacity MBtuh |       | Total System KW |       | Capacity MBtuh |       | Total System KW |       | Capacity MBtuh |       | Total System KW |       | Capacity MBtuh |       | Total System KW |  |
| CFM/ BF        | EWB | Total                                     | Sens  | Total           | Sens  | Total          | Sens | Total           | Sens  | Total          | Sens  | Total           | Sens  | Total          | Sens  | Total           | Sens  | Total          | Sens  | Total           | Sens  | Total          | Sens  |                 |  |
| 57 (13.8)      |     | 46.51                                     | 46.51 | 3.29            | 43.60 | 40.66          | 4.11 | 37.70           | 37.70 | 4.56           | 34.70 | 34.70           | 34.70 | 34.70          | 34.70 | 34.70           | 34.70 | 34.70          | 34.70 | 34.70           | 34.70 | 34.70          | 34.70 | 34.70           |  |
| 62 (16.6)      |     | 48.43                                     | 41.91 | 3.29            | 45.02 | 38.24          | 3.68 | 41.60           | 38.24 | 4.10           | 38.19 | 36.35           | 38.19 | 36.35          | 38.19 | 36.35           | 38.19 | 36.35          | 38.19 | 36.35           | 38.19 | 36.35          | 38.19 | 36.35           |  |
| 63* (17.2)     |     | 49.45                                     | 32.87 | 3.29            | 45.95 | 32.87          | 3.68 | 42.43           | 31.22 | 4.10           | 38.89 | 29.56           | 38.89 | 29.56          | 38.89 | 29.56           | 38.89 | 29.56          | 38.89 | 29.56           | 38.89 | 29.56          | 38.89 | 29.56           |  |
| 67 (19.4)      |     | 53.14                                     | 35.61 | 3.29            | 49.39 | 33.93          | 3.68 | 45.62           | 32.29 | 4.10           | 41.85 | 30.61           | 41.85 | 30.61          | 41.85 | 30.61           | 41.85 | 30.61          | 41.85 | 30.61           | 41.85 | 30.61          | 41.85 | 30.61           |  |
| 72 (22.2)      |     | 58.33                                     | 29.19 | 3.28            | 54.23 | 27.68          | 3.67 | 50.11           | 26.15 | 4.09           | 46.00 | 24.82           | 46.00 | 24.82          | 46.00 | 24.82           | 46.00 | 24.82          | 46.00 | 24.82           | 46.00 | 24.82          | 46.00 | 24.82           |  |
| 57 (13.8)      |     | 48.55                                     | 48.55 | 3.35            | 45.46 | 45.46          | 3.74 | 42.35           | 42.35 | 4.16           | 39.21 | 39.21           | 39.21 | 39.21          | 39.21 | 39.21           | 39.21 | 39.21          | 39.21 | 39.21           | 39.21 | 39.21          | 39.21 | 39.21           |  |
| 62 (16.6)      |     | 49.62                                     | 44.99 | 3.35            | 46.10 | 43.02          | 3.74 | 42.60           | 40.97 | 4.16           | 39.21 | 39.21           | 39.21 | 39.21          | 39.21 | 39.21           | 39.21 | 39.21          | 39.21 | 39.21           | 39.21 | 39.21          | 39.21 | 39.21           |  |
| 63* (17.2)     |     | 50.37                                     | 36.73 | 3.35            | 46.92 | 35.02          | 3.74 | 43.27           | 33.30 | 4.16           | 39.61 | 31.57           | 39.61 | 31.57          | 39.61 | 31.57           | 39.61 | 31.57          | 39.61 | 31.57           | 39.61 | 31.57          | 39.61 | 31.57           |  |
| 67 (19.4)      |     | 54.31                                     | 37.96 | 3.34            | 50.41 | 36.23          | 3.73 | 46.50           | 34.50 | 4.15           | 42.59 | 30.99           | 42.59 | 30.99          | 42.59 | 30.99           | 42.59 | 30.99          | 42.59 | 30.99           | 42.59 | 30.99          | 42.59 | 30.99           |  |
| 72 (22.2)      |     | 59.58                                     | 30.68 | 3.34            | 55.32 | 27.54          | 3.73 | 51.05           | 24.38 | 4.15           | 46.80 | 25.97           | 46.80 | 25.97          | 46.80 | 25.97           | 46.80 | 25.97          | 46.80 | 25.97           | 46.80 | 25.97          | 46.80 | 25.97           |  |
| 57 (13.8)      |     | 50.26                                     | 50.26 | 3.40            | 47.02 | 47.02          | 3.79 | 43.76           | 43.76 | 4.21           | 40.46 | 40.46           | 40.46 | 40.46          | 40.46 | 40.46           | 40.46 | 40.46          | 40.46 | 40.46           | 40.46 | 40.46          | 40.46 | 40.46           |  |
| 62 (16.6)      |     | 50.64                                     | 47.75 | 3.40            | 47.06 | 43.75          | 3.79 | 43.75           | 43.75 | 4.21           | 40.46 | 40.46           | 40.46 | 40.46          | 40.46 | 40.46           | 40.46 | 40.46          | 40.46 | 40.46           | 40.46 | 40.46          | 40.46 | 40.46           |  |
| 63* (17.2)     |     | 51.44                                     | 38.68 | 3.40            | 47.67 | 37.10          | 3.79 | 43.92           | 35.51 | 4.21           | 40.16 | 33.51           | 40.16 | 33.51          | 40.16 | 33.51           | 40.16 | 33.51          | 40.16 | 33.51           | 40.16 | 33.51          | 40.16 | 33.51           |  |
| 67 (19.4)      |     | 55.22                                     | 40.25 | 3.40            | 51.19 | 38.45          | 3.79 | 47.17           | 36.64 | 4.21           | 43.16 | 34.83           | 43.16 | 34.83          | 43.16 | 34.83           | 43.16 | 34.83          | 43.16 | 34.83           | 43.16 | 34.83          | 43.16 | 34.83           |  |
| 72 (22.2)      |     | 60.54                                     | 32.12 | 3.40            | 56.16 | 30.51          | 3.78 | 51.77           | 28.89 | 4.20           | 47.40 | 27.27           | 47.40 | 27.27          | 47.40 | 27.27           | 47.40 | 27.27          | 47.40 | 27.27           | 47.40 | 27.27          | 47.40 | 27.27           |  |

**PG(D,S)360 EXTENDED COOLING PERFORMANCE**

| EVAPORATOR AIR |     | CONDENSER ENTERING AIR TEMPERATURES deg F |       |                 |       |                |      |                 |       |                |       |                 |       |                |       |                 |       |                |       |                 |       |                |       |                 |  |
|----------------|-----|---|-------|-----------------|-------|----------------|------|-----------------|-------|----------------|-------|-----------------|-------|----------------|-------|-----------------|-------|----------------|-------|-----------------|-------|----------------|-------|-----------------|--|
|                |     | 75 (23.8°C)                               |       |                 |       | 85 (29.4°C)    |      |                 |       | 95 (35°C)      |       |                 |       | 105 (40.5°C)   |       |                 |       | 115 (46.1°C)   |       |                 |       | 125 (51.6°C)   |       |                 |  |
|                |     | Capacity MBtuh                            |       | Total System KW |       | Capacity MBtuh |      | Total System KW |       | Capacity MBtuh |       | Total System KW |       | Capacity MBtuh |       | Total System KW |       | Capacity MBtuh |       | Total System KW |       | Capacity MBtuh |       | Total System KW |  |
| CFM/ BF        | EWB | Total                                     | Sens  | Total           | Sens  | Total          | Sens | Total           | Sens  | Total          | Sens  | Total           | Sens  | Total          | Sens  | Total           | Sens  | Total          | Sens  | Total           | Sens  | Total          | Sens  |                 |  |
| 57 (13.8)      |     | 57.89                                     | 57.89 | 4.22            | 54.53 | 54.53          | 4.64 | 51.13           | 51.13 | 5.08           | 47.68 | 47.68           | 47.68 | 47.68          | 47.68 | 47.68           | 47.68 | 47.68          | 47.68 | 47.68           | 47.68 | 47.68          | 47.68 |                 |  |
| 62 (16.6)      |     | 59.66                                     | 51.98 | 4.24            | 55.71 | 49.94          | 4.65 | 51.77           | 47.68 | 5.09           | 47.84 | 45.44           | 47.84 | 45.44          | 47.84 | 45.44           | 47.84 | 45.44          | 47.84 | 45.44           | 47.84 | 45.44          | 47.84 | 45.44           |  |
| 63* (17.2)     |     | 60.79                                     | 42.58 | 4.25            | 56.72 | 40.64          | 4.66 | 52.64           | 38.69 | 5.10           | 48.53 | 36.74           | 48.53 | 36.74          | 48.53 | 36.74           | 48.53 | 36.74          | 48.53 | 36.74           | 48.53 | 36.74          | 48.53 | 36.74           |  |
| 67 (19.4)      |     | 65.28                                     | 43.94 | 4.28            | 60.89 | 41.97          | 4.70 | 56.50           | 40.00 | 5.14           | 52.08 | 38.03           | 52.08 | 38.03          | 52.08 | 38.03           | 52.08 | 38.03          | 52.08 | 38.03           | 52.08 | 38.03          | 52.08 | 38.03           |  |
| 72 (22.2)      |     | 71.52                                     | 35.78 | 4.34            | 66.71 | 33.30          | 4.75 | 61.88           | 32.13 | 5.19           | 57.02 | 30.30           | 57.02 | 30.30          | 57.02 | 30.30           | 57.02 | 30.30          | 57.02 | 30.30           | 57.02 | 30.30          | 57.02 | 30.30           |  |
| 57 (13.8)      |     | 60.39                                     | 60.39 | 4.33            | 56.80 | 56.80          | 4.74 | 53.18           | 53.18 | 5.18           | 49.50 | 49.50           | 49.50 | 49.50          | 49.50 | 49.50           | 49.50 | 49.50          | 49.50 | 49.50           | 49.50 | 49.50          | 49.50 | 49.50           |  |
| 62 (16.6)      |     | 61.11                                     | 55.94 | 4.33            | 57.07 | 53.59          | 4.74 | 53.18           | 53.18 | 5.18           | 49.50 | 49.50           | 49.50 | 49.50          | 49.50 | 49.50           | 49.50 | 49.50          | 49.50 | 49.50           | 49.50 | 49.50          | 49.50 | 49.50           |  |
| 63* (17.2)     |     | 62.07                                     | 45.41 | 4.34            | 57.83 | 43.39          | 4.75 | 53.59           | 41.36 | 5.19           | 49.53 | 39.33           | 49.53 | 39.33          | 49.53 | 39.33           | 49.53 | 39.33          | 49.53 | 39.33           | 49.53 | 39.33          | 49.53 | 39.33           |  |
| 67 (19.4)      |     | 66.60                                     | 46.95 | 4.38            | 62.04 | 44.89          | 4.79 | 57.38           | 42.84 | 5.23           | 52.89 | 40.78           | 52.89 | 40.78          | 52.89 | 40.78           | 52.89 | 40.78          | 52.89 | 40.78           | 52.89 | 40.78          | 52.89 | 40.78           |  |
| 72 (22.2)      |     | 72.91                                     | 37.66 | 4.43            | 67.90 | 35.78          | 4.85 | 62.90           | 33.90 | 5.28           | 57.85 | 32.01           | 57.85 | 32.01          | 57.85 | 32.01           | 57.85 | 32.01          | 57.85 | 32.01           | 57.85 | 32.01          | 57.85 | 32.01           |  |
| 57 (13.8)      |     | 62.47                                     | 62.47 | 4.43            | 58.69 | 58.69          | 4.84 | 54.87           | 54.87 | 5.28           | 51.00 | 51.00           | 51.00 | 51.00          | 51.00 | 51.00           | 51.00 | 51.00          | 51.00 | 51.00           | 51.00 | 51.00          | 51.00 | 51.00           |  |
| 62 (16.6)      |     | 62.48                                     | 62.48 | 4.43            | 58.68 | 58.68          | 4.84 | 54.86           | 54.86 | 5.28           | 50.99 | 50.99           | 50.99 | 50.99          | 50.99 | 50.99           | 50.99 | 50.99          | 50.99 | 50.99           | 50.99 | 50.99          | 50.99 | 50.99           |  |
| 63* (17.2)     |     | 63.04                                     | 48.14 | 4.43            | 58.67 | 46.04          | 4.84 | 54.31           | 41.81 | 5.28           | 49.93 | 41.81           | 49.93 | 41.81          | 49.93 | 41.81           | 49.93 | 41.81          | 49.93 | 41.81           | 49.93 | 41.81          | 49.93 | 41.81           |  |
| 67 (19.4)      |     | 67.60                                     | 49.95 | 4.47            | 62.90 | 47.72          | 4.88 | 58.21           | 45.59 | 5.32           | 53.50 | 43.44           | 53.50 | 43.44          | 53.50 | 43.44           | 53.50 | 43.44          | 53.50 | 43.44           | 53.50 | 43.44          | 53.50 | 43.44           |  |
| 72 (22.2)      |     | 73.95                                     | 39.47 | 4.53            | 68.79 | 37.54          | 4.94 | 63.63           | 35.61 | 5.37           | 58.45 | 33.68           | 58.45 | 33.68          | 58.45 | 33.68           | 58.45 | 33.68          | 58.45 | 33.68           | 58.45 | 33.68          | 58.45 | 33.68           |  |

\* 63°F Ewb is at 75°F entering dry bulb — Tennessee Valley Authority [TVA] rating conditions; all others at 80°F entering dry bulb.

LEGEND: BF — Bypass Factor Ewb — Entering Wet Bulb kW — Total Unit Power Input SHC — Sensible Heat Capacity (x1000 Btuh) TC — Total Capacity (x1000 Btuh) (net)

NOTES:

- Ratings are net; they account for the effects of the evaporator fan motor power and heat.
- Direct interpolation is permissible. Do not extrapolate.
- The following formulas may be used:

$$t_{Ldb} = t_{Edb} - \frac{\text{Sensible Capacity (BTU/h)}}{1.10 \times \text{cfm}}$$

$$h_{Lwb} = h_{Ewb} - \frac{\text{Total Capacity (BTU/h)}}{4.5 \times \text{cfm}}$$

$t_{Lwb}$  = Wet bulb temperature corresponding to enthalpy of air leaving evaporator coil ( $h_{Lwb}$ )

$h_{Lwb}$  = Wet bulb temperature corresponding to enthalpy of air entering evaporator coil ( $h_{Lwb}$ )

Below 80°F Edb, subtract (corr factor x cfm) from SHC.

Above 80°F Edb, add (corr factor x cfm) to SHC. Correction Factor =  $1.10 \times (1 + BF) \times (Edb + 80)$ .

Where:  $h_{Ewb}$  = Enthalpy of air entering evaporator coil

| Unit<br>PG(D,S)3 | ELECTRICAL CHARACTERISTICS |      | UNIT WT. |      | UNIT HEIGHT IN/MM |           | CENTER OF GRAVITY IN/MM |         |       |          |       |
|------------------|----------------------------|------|----------|------|-------------------|-----------|-------------------------|---------|-------|----------|-------|
|                  | VOLTAGE                    | AMPS | LB       | KG   | "A"               | "B"       | X                       | Y       | Z     |          |       |
| 30040/060        | 208/230-3-60               | 3.09 | 140.0    | 42.0 | 1066.8            | 122-13/16 | 1579.4                  | 15-5/16 | 388.9 | 15-13/16 | 401.6 |
| 36060/090        | 208/230-3-60               | 3.19 | 144.6    | 46.0 | 1168.4            | 122-13/16 | 1579.4                  | 15-5/16 | 388.9 | 16-5/8   | 422.3 |
|                  | 460-3-60                   | 3.33 | 150.9    | 46.0 | 1168.4            | 122-13/16 | 1579.4                  | 15-5/16 | 388.9 | 16-5/8   | 422.3 |

| Unit<br>PG(D,S)3 | CORNER WEIGHT LB/KG |      | "A"   |      | "B"    |           | "C"    |         | "D"   |          |       |
|------------------|---------------------|------|-------|------|--------|-----------|--------|---------|-------|----------|-------|
|                  | VOLTAGE             | AMPS | LB    | KG   | "A"    | "B"       | "C"    | "D"     | "E"   | "F"      |       |
| 24040/060        | 208/230-3-60        | 3.09 | 140.0 | 42.0 | 1066.8 | 122-13/16 | 1579.4 | 15-5/16 | 388.9 | 15-13/16 | 401.6 |
| 30040/060        | 208/230-3-60        | 3.19 | 144.6 | 46.0 | 1168.4 | 122-13/16 | 1579.4 | 15-5/16 | 388.9 | 16-5/8   | 422.3 |
| 36060/090        | 460-3-60            | 3.33 | 150.9 | 46.0 | 1168.4 | 122-13/16 | 1579.4 | 15-5/16 | 388.9 | 16-5/8   | 422.3 |

REQUIRED CLEARANCES TO COMBUSTIBLE MATL.

INCHES (MM)

TOP OF UNIT.....14 (355.8)

DUCT SIDE OF UNIT.....2 (50.8)

DUCTS.....6 (152.4)

BOTTOM OF UNIT.....6 (152.4)

FLUE PANEL.....36 (914.4)

NEC. REQUIRED CLEARANCES.

INCHES (MM)

BETWEEN UNITS, POWER ENTRY SIDE.....42 (1066.8)

UNIT AND UNGRAUNDED SURFACES, POWER ENTRY SIDE.....36 (914.0)

UNIT AND BLOCK OR CONCRETE WALLS AND OTHER GRAUNDED SURFACES, POWER ENTRY SIDE.....42 (1066.8)

REQUIRED CLEARANCE FOR OPERATION AND SERVICING

EVAP. COIL ACCESS SIDE.....36 (914.0)

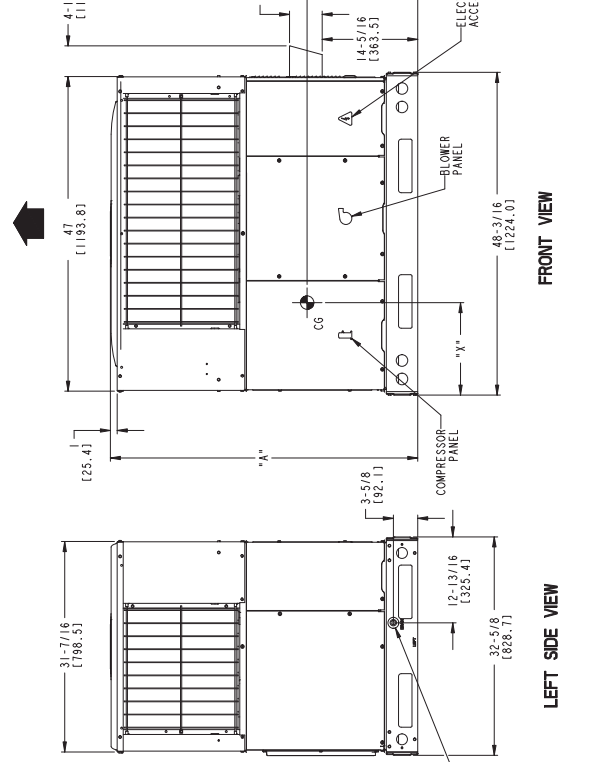
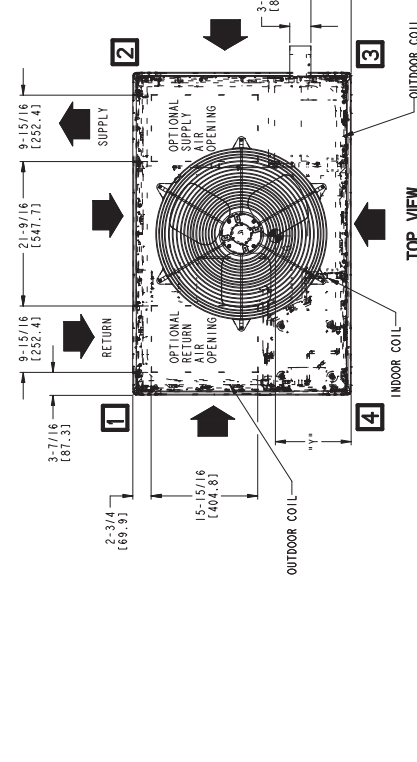
EXCEPT FOR REFRIGERANTS.....42 (1066.8)

UNIT TOP.....48 (1219.2)

SIDE OPPOSITE DUCTS.....36 (914.0)

DUCT PANEL.....12 (304.8)

\*MINIMUM DISTANCES: IF UNIT IS PLACED LESS THAN 12 (304.8) FROM WALL SYSTEM, THEN SYSTEM PERFORMANCE MAYBE COMPROMISED.



DIMENSIONS IN ( ) ARE IN MM

| Unit<br>PG(D,S)3 | ELECTRICAL<br>CHARACTERISTICS | UNIT WT. |       | UNIT HEIGHT |        | CENTER OF GRAVITY |       |    |       |        |       |
|------------------|-------------------------------|----------|-------|-------------|--------|-------------------|-------|----|-------|--------|-------|
|                  |                               | LB       | KG    | "A"         | "A"    | X                 | Y     | Z  |       |        |       |
| 208/230-3-60     | 208/230-3-60                  | 411      | 186.5 | 39-1/16     | 1014.4 | 22-13/16          | 579.4 | 18 | 457.2 | 17-1/8 | 435.0 |
| 420/60/090       | 420-3-60                      | 425      | 192.3 | 39-1/16     | 1014.4 | 22-13/16          | 579.4 | 18 | 457.2 | 17-1/8 | 435.0 |
| 208/230-3-60     | 208/230-3-60                  | 419      | 190.2 | 41-1/16     | 1065.2 | 22-13/16          | 579.4 | 18 | 457.2 | 17-3/8 | 441.3 |
| 480/90/115/130   | 480-3-60                      | 433      | 196.5 | 41-1/16     | 1065.2 | 22-13/16          | 579.4 | 18 | 457.2 | 17-3/8 | 441.3 |
| 600/90/115/130   | 600/230-3-60                  | 441      | 200.1 | 41-1/16     | 1065.2 | 22-13/16          | 579.4 | 18 | 457.2 | 17-5/8 | 447.7 |
| 600/90/115/130   | 480-3-60                      | 455      | 206.5 | 41-1/16     | 1065.2 | 22-13/16          | 579.4 | 18 | 457.2 | 17-5/8 | 447.7 |

REQUIRED CLEARANCES TO COMBUSTIBLE MATL.

| Unit<br>PG(D,S)3 | VOLTAGE | CORNER WEIGHT |      | TOP OF UNIT | UNIT  | SIDE  | OPPOSITE | DUCTS | BOTTOM | OF UNIT        | FLUE | PANEL |      |       |       |       |       |      |      |      |      |      |       |       |       |       |      |     |
|------------------|---------|---------------|------|-------------|-------|-------|----------|-------|--------|----------------|------|-------|------|-------|-------|-------|-------|------|------|------|------|------|-------|-------|-------|-------|------|-----|
|                  |         | "2"           | "3"  |             |       |       |          |       |        |                |      |       |      |       |       |       |       |      |      |      |      |      |       |       |       |       |      |     |
| 208/230          | 61.7    | 28.0          | 82.2 | 31.3        | 123.4 | 56.0  | 143.3    | 65.3  | 460    | 61.7           | 28.0 | 82.2  | 31.3 | 123.4 | 56.0  | 143.3 | 65.3  | 460  | 61.7 | 28.0 | 82.2 | 31.3 | 123.4 | 56.0  | 143.3 | 65.3  | 460  |     |
| 420/60/090       | 460     | 61.7          | 28.0 | 82.2        | 31.3  | 123.4 | 56.0     | 143.3 | 67.6   | 480/90/115/130 | 62.9 | 28.6  | 83.8 | 38.1  | 125.8 | 57.1  | 146.7 | 66.6 | 460  | 62.9 | 28.6 | 83.8 | 38.1  | 125.8 | 57.1  | 146.7 | 66.6 | 460 |
| 480/90/115/130   | 460     | 62.9          | 28.6 | 83.8        | 38.1  | 125.8 | 57.1     | 146.7 | 68.9   | 600/90/115/130 | 66.2 | 30.0  | 88.2 | 40.1  | 132.4 | 60.1  | 154.4 | 70.1 | 460  | 66.2 | 30.0 | 88.2 | 40.1  | 132.4 | 60.1  | 154.4 | 70.1 | 460 |

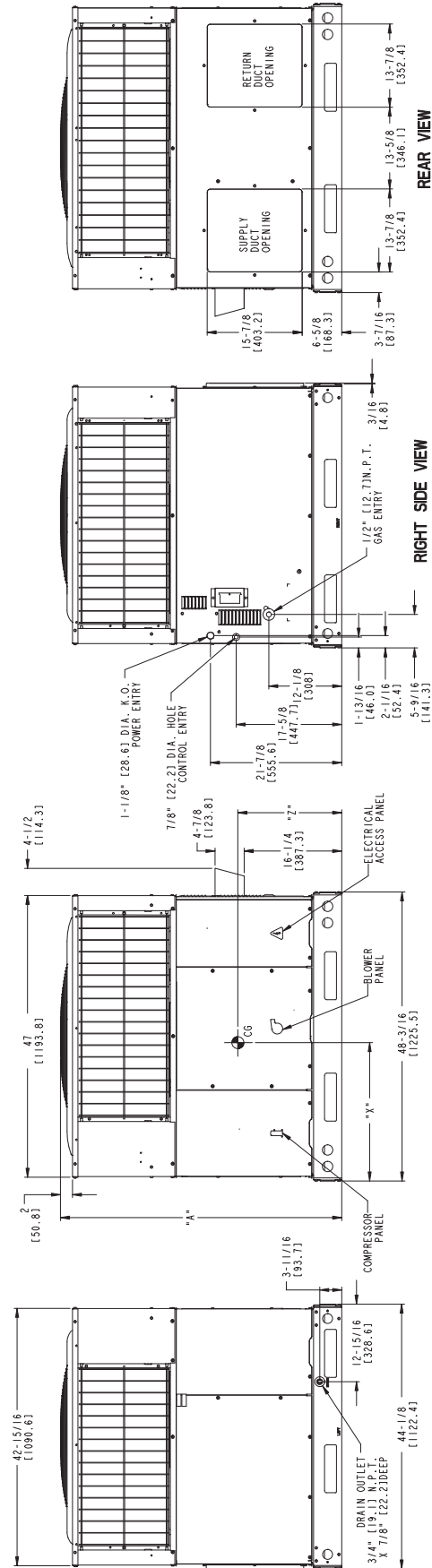
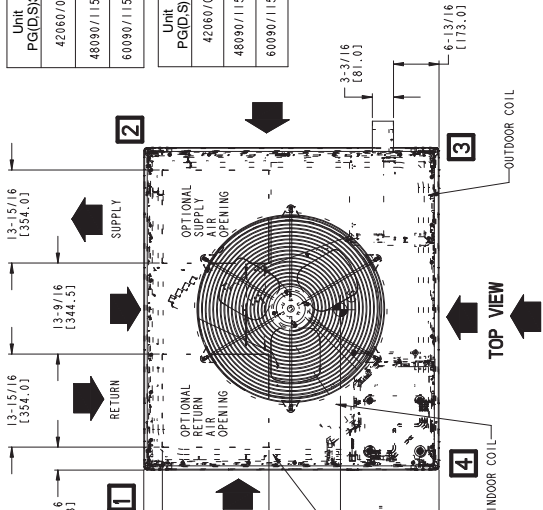
NEC - REQUIRED CLEARANCES.

BETWEEN UNITS: POWER ENTRY SIDE.....42 [1066.8]  
 UNIT AND UNGROUNDED SURFACES, POWER ENTRY SIDE.....36 [914.0]  
 UNIT AND UNGROUNDED SURFACES, POWER ENTRY SIDE.....36 [914.0]  
 UNIT AND UNGROUNDED SURFACES, POWER ENTRY SIDE.....42 [1066.8]  
 UNIT AND UNGROUNDED SURFACES, POWER ENTRY SIDE.....42 [1066.8]

REQUIRED CLEARANCE FOR OPERATION AND SERVICING  
 EWP, COIL ACCESS SIDE.....42 [1066.8]  
 POWER ENTRY SIDE.....42 [1066.8]  
 (EXCEPT FOR NEC REQUIREMENTS)  
 UNIT TOP.....48 [1219.2]  
 SIDE OPPOSITE DUCTS.....36 [914.0]  
 DUCT PANEL.....12 [304.8]

\*MINIMUM DISTANCES: IF UNIT IS PLACED LESS THAN 12 [304.8] FROM WALL SYSTEM, THEN SYSTEM PERFORMANCE MAYBE COMPROMISED.

DIMENSIONS IN [ ] ARE IN MM



DANGER: ELECTRICAL SHOCK HAZARD DISCONNECT POWER BEFORE SERVICING

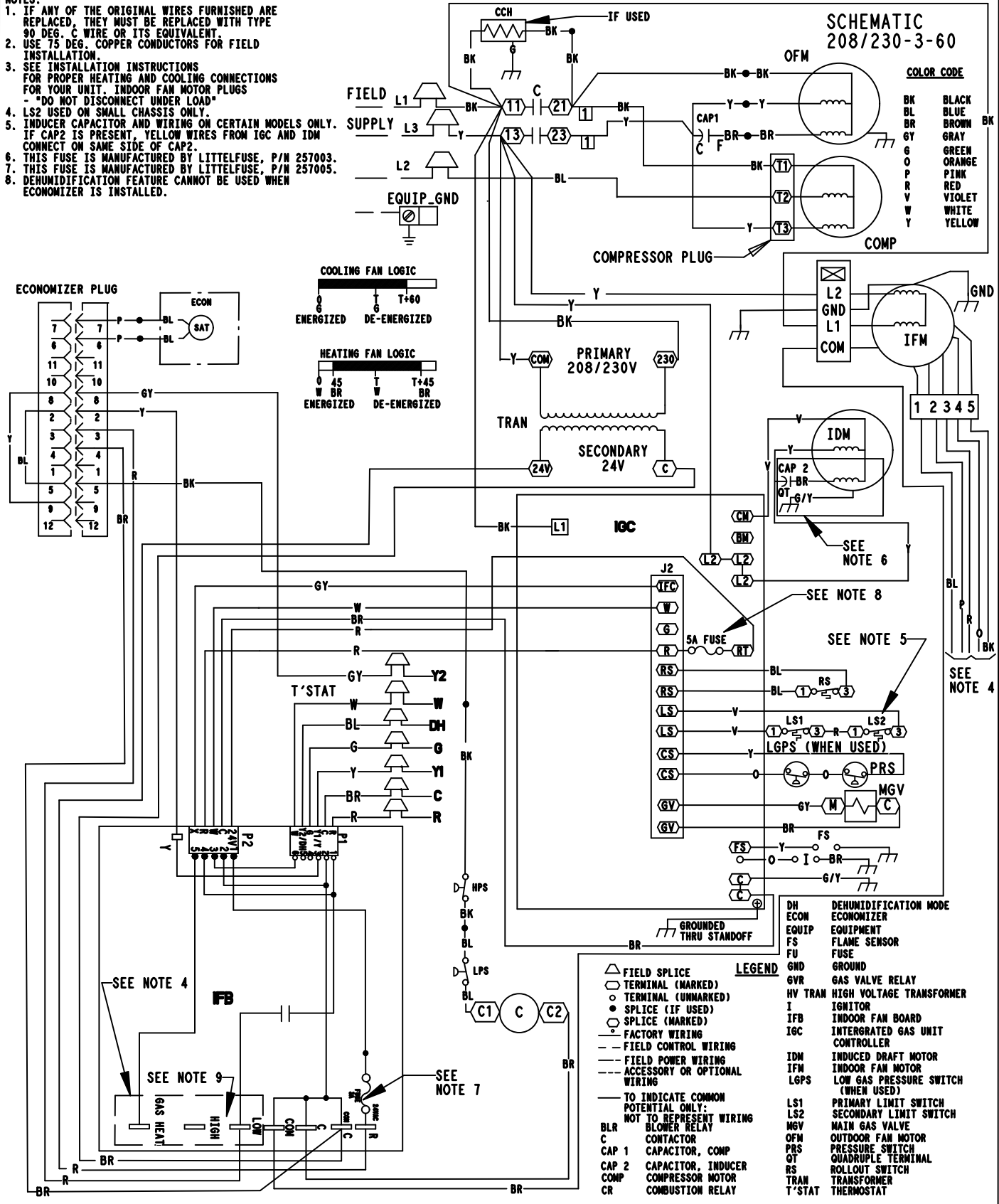
NOTES:

- IF ANY OF THE ORIGINAL WIRES FURNISHED ARE REPLACED, THEY MUST BE REPLACED WITH TYPE 90 DEG. C WIRE OR ITS EQUIVALENT.
- USE 15 DEG. COPPER CONDUCTORS FOR FIELD INSTALLATION.
- SEE INSTALLATION INSTRUCTIONS FOR PROPER HEATING AND COOLING CONNECTIONS FOR YOUR UNIT. INDOOR FAN MOTOR PLUGS - "DO NOT DISCONNECT UNDER LOAD"
- LS2 USED ON SMALL CHASSIS ONLY.
- INDUCER CAPACITOR AND WIRING ON CERTAIN MODELS ONLY. IF CAP2 IS PRESENT, YELLOW WIRES FROM IGC AND IDM CONNECT ON SAME SIDE OF CAP2.
- THIS FUSE IS MANUFACTURED BY LITTELFUSE, P/N 257003.
- THIS FUSE IS MANUFACTURED BY LITTELFUSE, P/N 257005.
- DEHUMIDIFICATION FEATURE CANNOT BE USED WHEN ECONOMIZER IS INSTALLED.

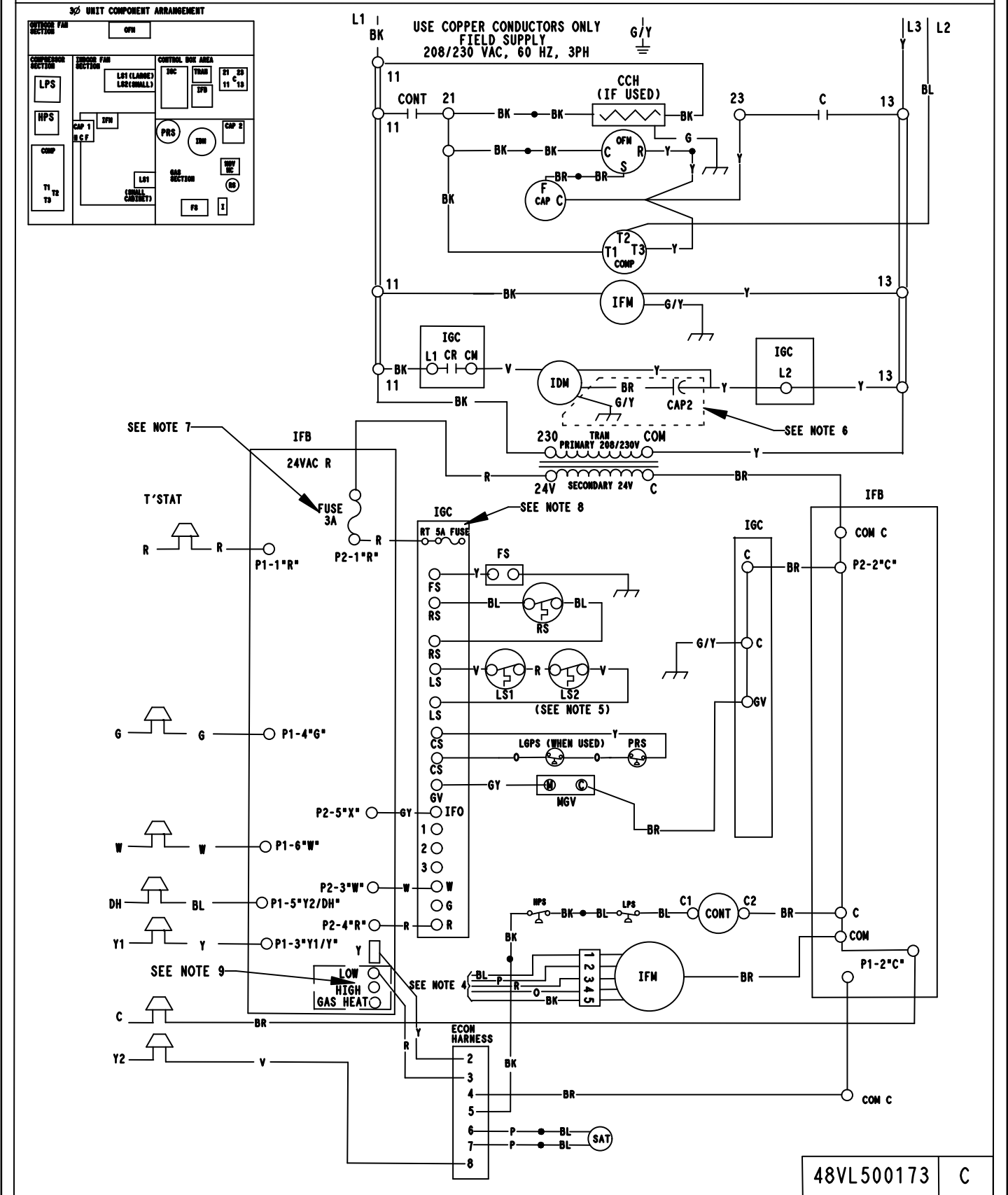
SCHEMATIC 208/230-3-60

COLOR CODE

|    |        |
|----|--------|
| BK | BLACK  |
| BL | BLUE   |
| BR | BROWN  |
| GY | GRAY   |
| G  | GREEN  |
| O  | ORANGE |
| P  | PINK   |
| R  | RED    |
| V  | VIOLET |
| W  | WHITE  |
| Y  | YELLOW |



DANGER: ELECTRICAL SHOCK HAZARD DISCONNECT POWER BEFORE SERVICING



# CONNECTION WIRING SCHEMATIC 460-3-60

**DANGER: ELECTRICAL SHOCK HAZARD DISCONNECT POWER BEFORE SERVICING**

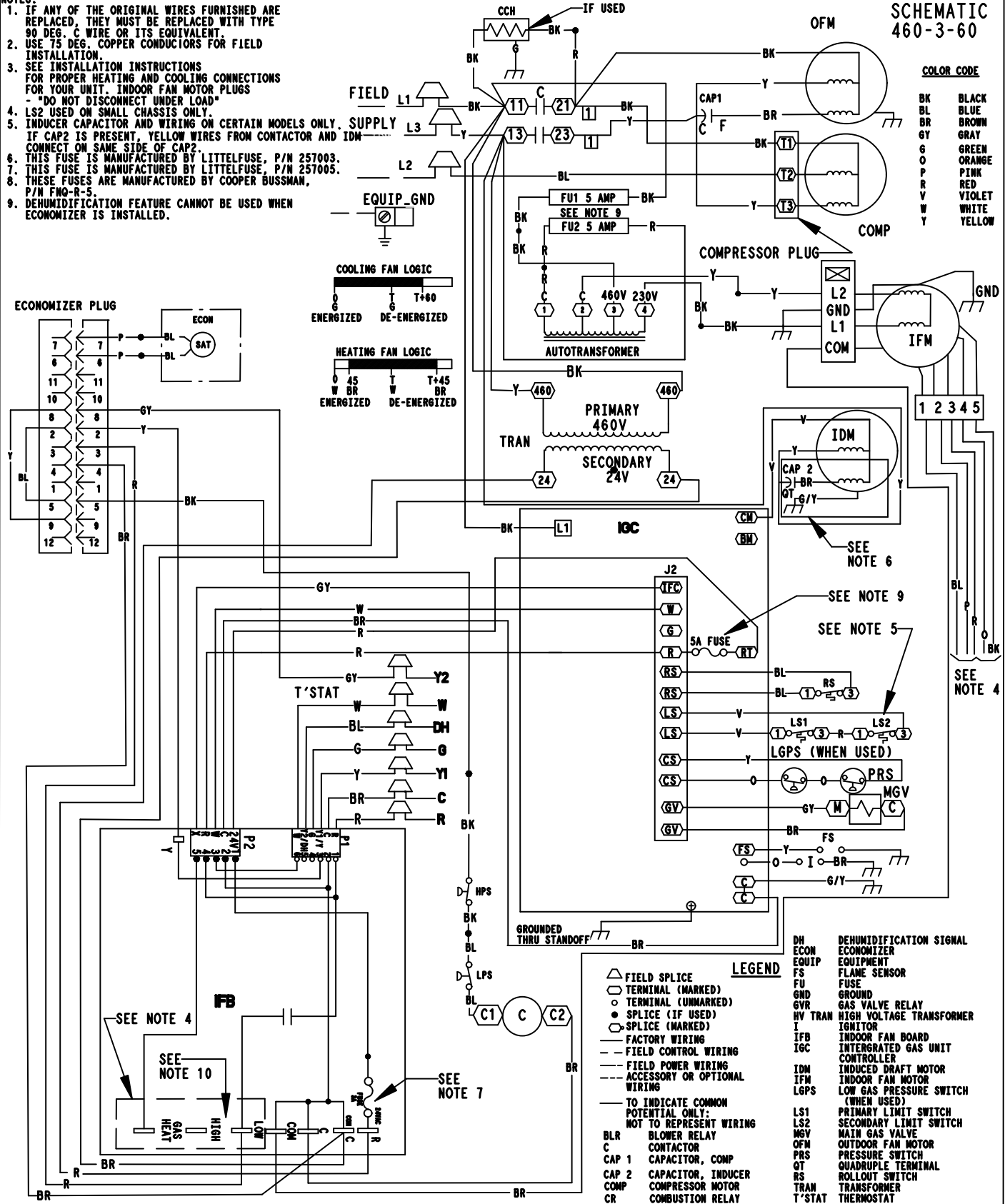
**SCHEMATIC  
460-3-60**

**NOTES:**

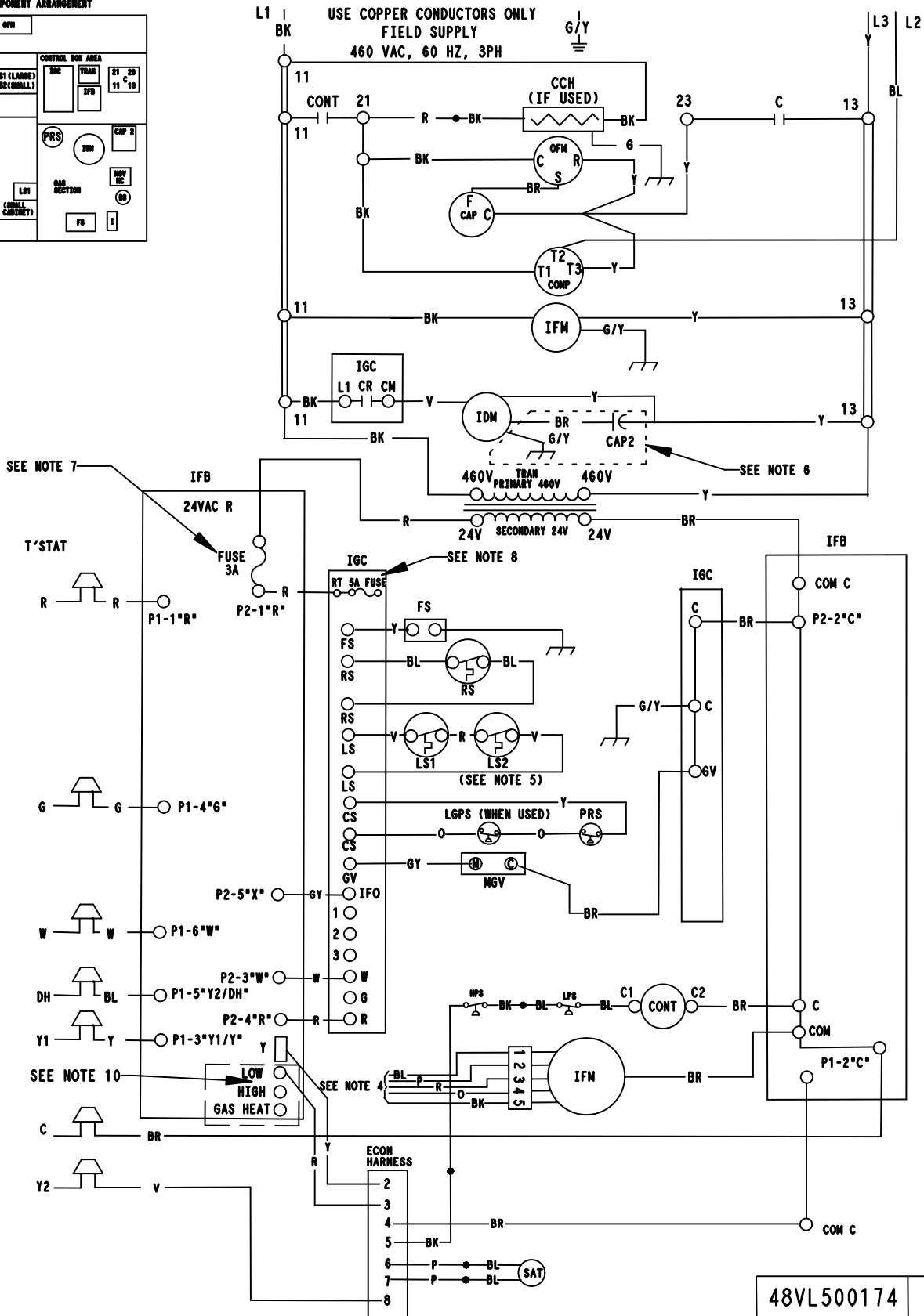
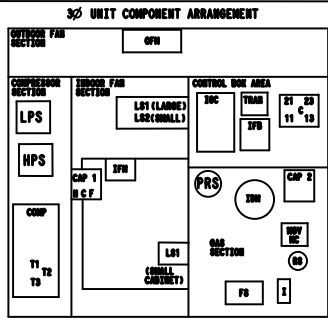
1. IF ANY OF THE ORIGINAL WIRES FURNISHED ARE REPLACED, THEY MUST BE REPLACED WITH TYPE 90 DEG. C WIRE OR ITS EQUIVALENT.
2. USE 75 DEG. COPPER CONDUCTORS FOR FIELD INSTALLATION.
3. SEE INSTALLATION INSTRUCTIONS FOR PROPER HEATING AND COOLING CONNECTIONS FOR YOUR UNIT. INDOOR FAN MOTOR PLUGS - "DO NOT DISCONNECT UNDER LOAD"
4. LS2 USED ON SMALL CHASSIS ONLY.
5. INDUCER CAPACITOR AND WIRING ON CERTAIN MODELS ONLY. IF CAP2 IS PRESENT, YELLOW WIRES FROM CONTACTOR AND IDM CONNECT ON SAME SIDE OF CAP2.
6. THIS FUSE IS MANUFACTURED BY LITTELFUSE, P/N 257003.
7. THIS FUSE IS MANUFACTURED BY LITTELFUSE, P/N 257005.
8. THESE FUSES ARE MANUFACTURED BY COOPER BUSSMAN, P/N FMO-R-5.
9. DEHUMIDIFICATION FEATURE CANNOT BE USED WHEN ECONOMIZER IS INSTALLED.

**COLOR CODE**

|    |        |
|----|--------|
| BK | BLACK  |
| BL | BLUE   |
| BR | BROWN  |
| GY | GRAY   |
| G  | GREEN  |
| O  | ORANGE |
| P  | PINK   |
| R  | RED    |
| V  | VIOLET |
| W  | WHITE  |
| Y  | YELLOW |



DANGER: ELECTRICAL SHOCK HAZARD DISCONNECT POWER BEFORE SERVICING





## CONTROLS

### Operating sequence

**Heating** – On a call for heating, terminal “W” of the thermostat is energized, starting the induced-draft motor. When the pressure switch senses that the induced-draft motor is moving sufficient combustion air, the burner sequence begins. This function is performed by the integrated gas unit controller (IGC). The indoor (evaporator)-fan motor is energized 45 sec after flame is established. When the thermostat is satisfied and W is de-energized, the burners stop firing and the indoor (evaporator) fan motor shuts off after a 45-sec time-off delay. Please note that the IGC has the capability to automatically reduce the indoor fan motor on delay and increase the indoor fan motor off delay in the event of high duct static and/or partially-clogged filter.

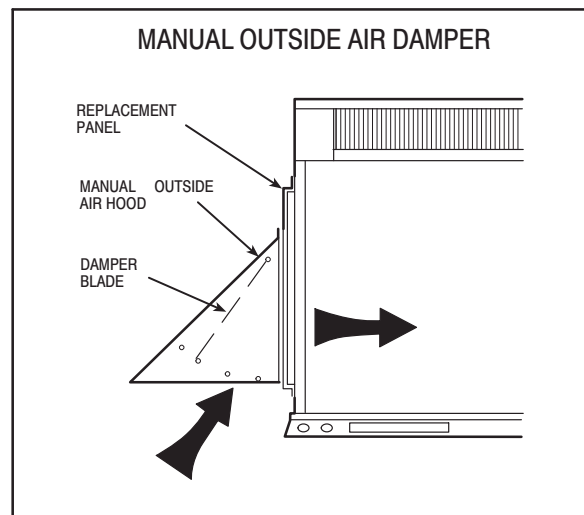
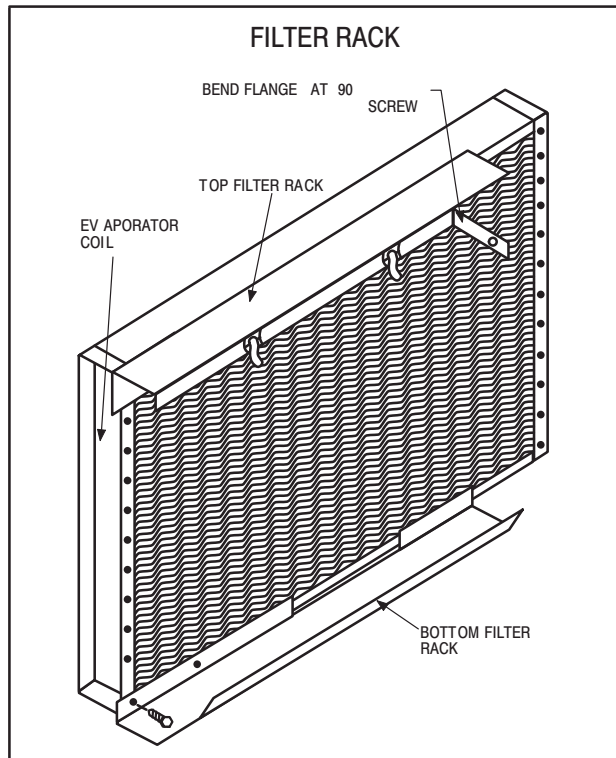
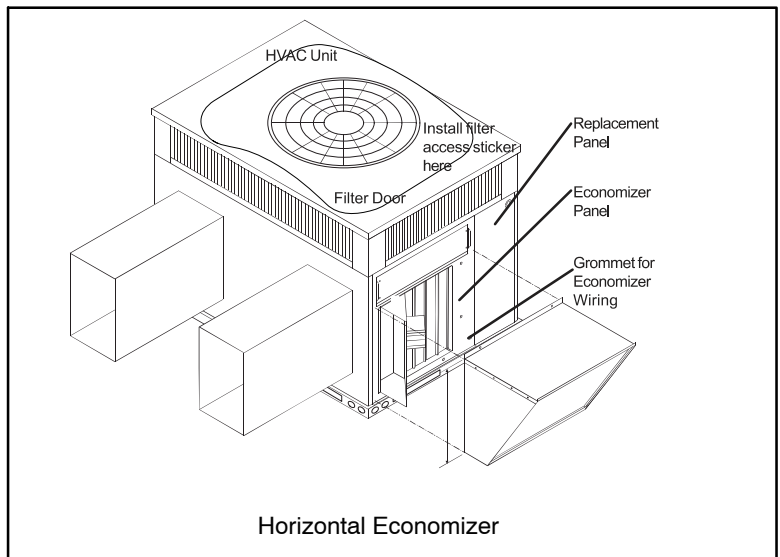
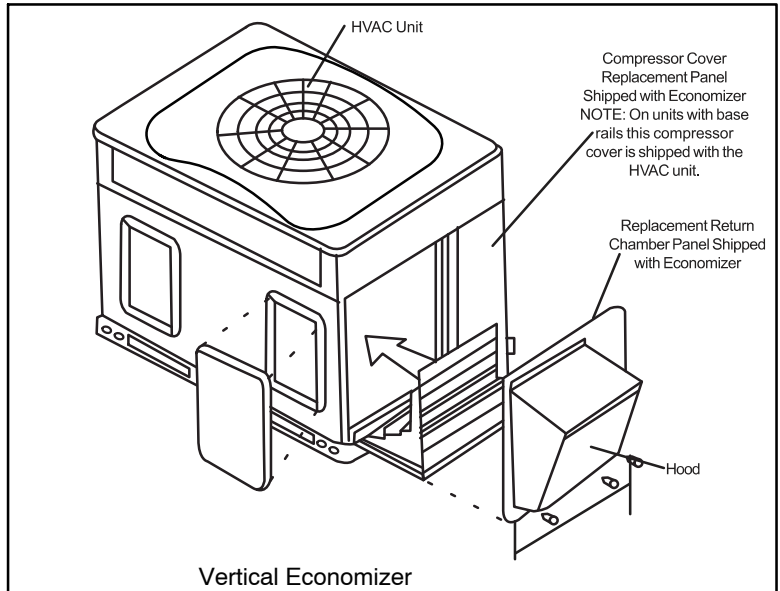
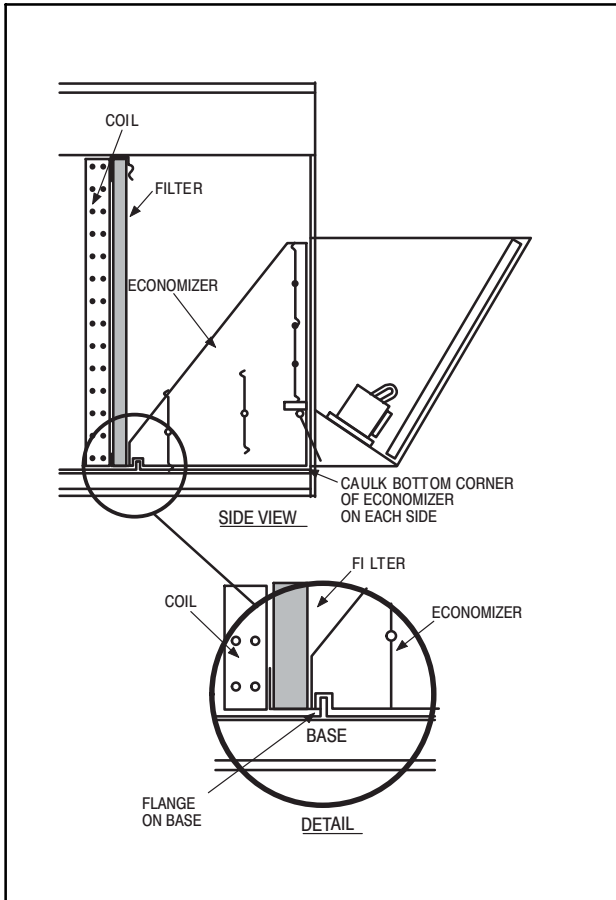
**Cooling** — When the system thermostat calls for cooling, 24 V is supplied to the “Y1/Y” and “G” terminals of the thermostat. This completes the circuit to the contactor coil (C) and indoor (evaporator) fan relay (IFR). The normally open contacts of energized C close and complete the circuit through compressor motor (COMP) to outdoor (condenser) fan motor (OFM). Both motors start instantly. The set of normally open contacts of energized IFR close and complete the circuit through IFM. The IFM starts instantly.

On the loss of the thermostat call for cooling, 24 V is removed from both the “Y1/Y” and “G” terminals (provided the fan switch is in the “AUTO” position) de-energizing the compressor contactor and opening the contacts supplying power to compressor/OFM. After a 90-second delay, the IFM shuts off. If the thermostat fan selector switch is in the “ON” position, the IFM will run continuously.

NOTE: On units with an anti-cycle device: Once the compressor has started and then stopped, it cannot be restarted again until 5 minutes have elapsed.

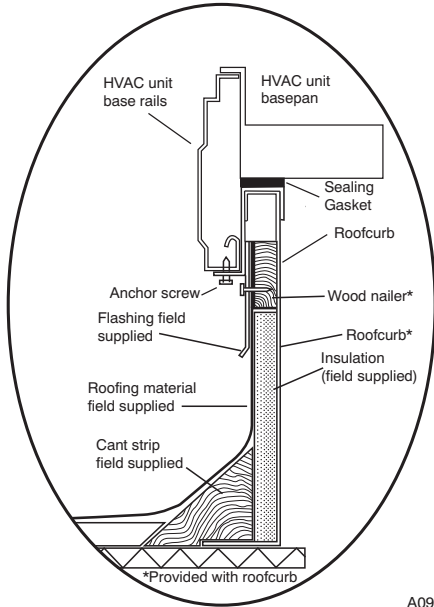
# ACCESSORIES

## ECONOMIZER



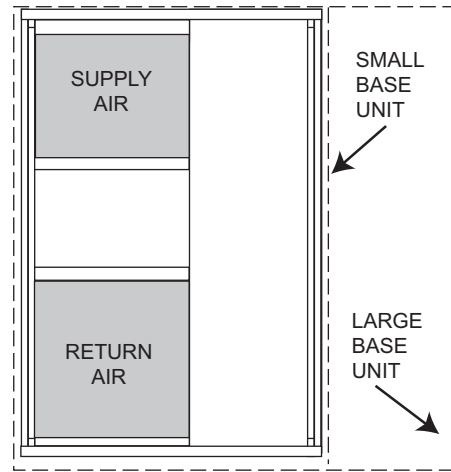
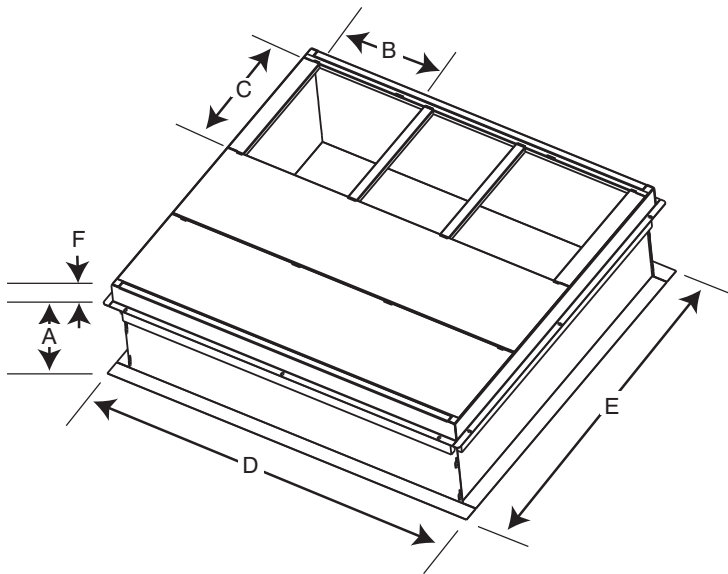
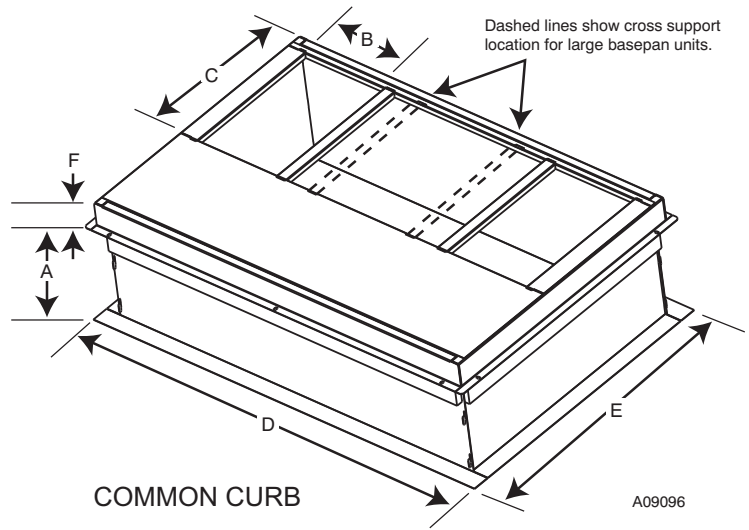
# ACCESSORIES

## ROOF CURBS



A09090

ROOF CURB DETAIL



SMALL OR LARGE BASE UNIT

| UNIT SIZE      | CATALOG NUMBER | A IN. (mm) | B (small base) IN. (mm)* | B (large base) IN. (mm)* | C IN. (mm) | D IN. (mm)  | E IN. (mm)  | F IN. (mm) |
|----------------|----------------|------------|--------------------------|--------------------------|------------|-------------|-------------|------------|
| Small or Large | CPRFCURB010A00 | 11 (279)   | 10 (254)                 | 14 (356)                 | 16 (406)   | 47.8 (1214) | 32.4 (822)  | 2.7 (69)   |
|                | CPRFCURB011A00 | 14 (356)   |                          |                          |            |             | 43.9 (1116) |            |
| Large          | CPRFCURB012A00 | 11 (279)   | N/A                      |                          |            |             | 43.9 (1116) |            |
|                | CPRFCURB013A00 | 14 (356)   |                          |                          |            |             |             |            |

\* Part Numbers CPRFCURB010A00 and CPRFCURB011A00 can be used on both small and large basepan units. The cross supports must be located based on whether the unit is a small basepan or a large basepan.

NOTES:

1. Roof curb must be set up for unit being installed.
2. Seal strip must be applied, as required, to unit being installed.
3. Roof curb is made of 16-gauge steel.
4. Attach ductwork to curb (flanges of duct rest on curb).
5. Insulated panels: 1-in. (25.4 mm) thick fiberglass 1 lb. density.

## PGD3, PGS3 ACCESSORIES (continued)

| <b>ROOF CURBS</b>  |   |                     |
|--|---|---------------------|
| Model Number   | Description   | Use With Model Size |
| CPRFCURB010A00   | Roof Curb, 11" High   | 30 – 60             |
| CPRFCURB011A00   | Roof Curb, 14" High   | 30 – 60             |
| CPRFCURB012A00   | Roof Curb, 11" High   | 42 – 60             |
| CPRFCURB013A00   | Roof Curb, 14" High   | 42 – 60             |
| <b>Note: CPRFCURB010A00 AND CPRFCURB011A00 can be used with 42–60 size units with some overhang.</b>                                   |   |                     |
| <b>ADAPTER CURBS*</b>  |   |                     |
| CPADCURB001A00   | Adapter Curb for use with NPRFCURB006A00 & NPRFCURB007A00   | 30 – 36             |
| CPADCURB002A00   | Adapter Curb for use with NPRFCURB008A00 & NPRFCURB009A00   | 42 – 60             |
| * Can also be used when replacing other manufacturer's older generation units that contain a composite base without a metal base rail. |   |                     |
| <b>CONCENTRIC ADAPTERS – (Use with curb only)</b>  |   |                     |
| NPCONADP001A00   | For 18" round duct (use with curbs CPRFCURB010A00, CPRFCURB011A00)  | Small Curb          |
| NPCONADP002A00   | For 18" round duct (use with curbs CPRFCURB012A00, CPRFCURB013A00)  | Large Curb          |
| <b>CONCENTRIC DIFFUSERS – (Ceiling or under roof)</b>  |   |                     |
| AXB020CSA*   | Step Down Diffuser – Fits 2' x 4' Ceiling Grid (16" round collars for flex conn.)   | 30 – 42             |
| AXB020CFA*   | Flush Mount Diffuser – Fits 2' x 4' Ceiling Grid (16" round collars for flex conn.)   | 30 – 42             |
| AXB030CSA  | Step Down Diffuser – Fits 2' x 4' Ceiling Grid (18" round collars for flex conn.)   | 30 – 60             |
| AXB030CFA  | Flush Mount Diffuser – Fits 2' x 4' Ceiling Grid (18" round collars for flex conn.)   | 30 – 60             |
| * A field supplied 18" to 16" round reducer required when used with NP concentric adaptor  |   |                     |
| <b>ECONOMIZERS</b>   |   |                     |
| Model Number   | Description   | Use With Model Size |
| CPECOMZR007A00   | Dedicated Vertical Economizer – Internal with solid state controller, gear driven, fully modulating damper, spring return actuator, up to 50% barometric relief, supply and dry bulb outdoor air sensors. Includes filter rack with 1" filters*.                | 30, 36              |
| CPECOMZR008A00   |   | 42, 48              |
| CPECOMZR009A00   |   | 60                  |
| CPECOMZR010A00   | Dedicated Horizontal Economizer – Internal with solid state controller, fully modulating damper, spring return actuator, supply and dry bulb outdoor air sensor, and low ambient compressor lockout switch included. Includes filter rack with 1–inch filters*. | 30, 36              |
| CPECOMZR011A00   |   | 42, 48              |
| CPECOMZR012A00   |   | 60                  |
| AXB078ENT  | Outdoor Enthalpy Control  | ALL                 |
| * Outdoor enthalpy available as field installed accessory; Filter rack and 1" filter, same as CPFILTRK kit                             |   |                     |
| <b>MANUAL FRESH AIR DAMPERS</b>  |   |                     |
| Model Number   | Description   | Use With Model Size |
| CPMANDPR007A00   | Manual Outside Air Damper – (Includes filter rack and 1" filter, same as CPFILTRK kit)  | 30, 36              |
| CPMANDPR008A00   |   | 42, 48              |
| CPMANDPR009A00   |   | 60                  |
| <b>INTERNAL FILTER RACK and FILTER (shipped with 1" filters)</b>   |   |                     |
| Model Number   | Description   | Use With Model Size |
| CPFILTRK007A00   | Internal Filter Rack  | 30, 36              |
| CPFILTRK008A00   |   | 42, 48              |
| CPFILTRK009A00   |   | 60                  |
| <b>LOW AMBIENT, ANTI-CYCLE TIMER</b>   |   |                     |
| Model Number   | Description   | Use With Model Size |
| CPLOWAMB001A00   | Low ambient Control – enables cooling system to operate down to 0 Deg. F by cycling condenser fan on and off  | ALL                 |
| NRTIMEGD001A00   | 5 minute anti-cycle timer (Note: many thermostats have inherent anti-cycle timer logic)   | ALL                 |

**PGD3, PGS3 ACCESSORIES (continued)**

**CRANKCASE HEATER – BELLY BAND TYPE**

|                |  |        |
|----------------|--|--------|
| NPCRKHTR008A00 | 240V Crankcase Heater                                | 30, 36 |
| NPCRKHTR004A00 | 240V Crankcase Heater (included with 60 size models) | 42, 48 |
| NPCRKHTR009A00 | 460V Crankcase Heater                                | 36     |
| NPCRKHTR005A00 | 460V Crankcase Heater (included with 60 size models) | 42, 48 |

**GAS CONVERSION KITS**

| Model Number   | Description   | Use With Model Size |
|----------------|---|---------------------|
| NPLPCONV013A00 | Natural Gas to Propane Conversion Kit (0 – 2000')     | ALL                 |
| NPLPCONV014A00 | Natural Gas to Propane Conversion Kit (2001' – 6000') | ALL                 |
| NPNGCONV004A00 | Propane to Natural Gas Conversion Kit (0 – 2000')     | ALL                 |

**FLUE DISCHARGE DEFLECTOR**

| Model Number   | Description  | Heat Input (BTU/h) |
|----------------|--|--------------------|
| CRFLUEDS001A00 | Directs flue gas exhaust 90 degrees upward from current discharge. Designed to allow tighter distances between unit and combustible surfaces. 24 inch Height. AGA certified. | 40,000 – 130,000   |

**HAIL GUARD / COIL PROTECTION**

| Model Number | Description                     | Use With Model Size |
|--------------|---------------------------------|---------------------|
| NAPA00501GR  | 3/8" spacing dense wire grilles | 30                  |
| NAPA00901GR  | 3/8" spacing dense wire grilles | 36                  |
| NAPA00601GR  | 3/8" spacing dense wire grilles | 42                  |
| NAPA00801GR  | 3/8" spacing dense wire grilles | 48, 60              |

**DUCT TRANSITIONS**

| Model Number   | Description   | Use With Model Size |
|----------------|---|---------------------|
| NPDUCFLG002A00 | Square to 14" Round (1 set of 2, use with horizontal duct flanges only) | 30 – 48             |

International Comfort Products, LLC  
 Lewisburg, Tennessee 37091 USA  
[www.GoComfortmaker.com](http://www.GoComfortmaker.com)