

INSTALLATION INSTRUCTIONS

3-Phase R-22 Split System Heat Pump

Product Family: N2H3, H2H3

These instructions must be read and understood completely before attempting installation.

Safety Labeling and Signal Words

DANGER, WARNING, CAUTION, and NOTE

The signal words **DANGER**, **WARNING**, **CAUTION**, and **NOTE** are used to identify levels of hazard seriousness. The signal word **DANGER** is only used on product labels to signify an immediate hazard. The signal words **WARNING**, **CAUTION**, and **NOTE** will be used on product labels and throughout this manual and other manuals that may apply to the product.

DANGER – Immediate hazards which **will** result in severe personal injury or death.

WARNING – Hazards or unsafe practices which **could** result in severe personal injury or death.

CAUTION – Hazards or unsafe practices which **may** result in minor personal injury or product or property damage.

NOTE – Used to highlight suggestions which **will** result in enhanced installation, reliability, or operation.

Signal Words in Manuals

The signal word **WARNING** is used throughout this manual in the following manner:



The signal word **CAUTION** is used throughout this manual in the following manner:



Signal Words on Product Labeling

Signal words are used in combination with colors and/or pictures on product labels.

TABLE OF CONTENTS

Inspect New Unit	2
Safety Considerations	2
Location	2
Clearances	2 – 3
Unit Support	4
Refrigeration System	5 – 9
Electrical Wiring	9 – 11
Defrost System	12
Start-up Procedure	13
Refrigerant Charge	13 – 14
Sequence of Operation	14
Troubleshooting	15
Maintenance	15
Comfort Alert™ Diagnostics Codes	16 – 17



DEATH, PERSONAL INJURY, AND/OR PROPERTY DAMAGE HAZARD

Failure to carefully read and follow this warning could result in equipment malfunction, property damage, personal injury and/or death.

Installation or repairs made by unqualified persons could result in equipment malfunction, property damage, personal injury and/or death.

The information contained in this manual is intended for use by a qualified service technician familiar with safety procedures and equipped with the proper tools and test instruments.

Installation must conform with local building codes and with the National Electrical Code NFPA70 current edition or Canadian Electrical Code Part 1 CSA C.22.1.

INSPECT NEW UNIT

After uncrating unit, inspect thoroughly for hidden damage. If damage is found, notify the transportation

company immediately and file a concealed damage claim.

SAFETY CONSIDERATIONS

Consult a qualified installer, service agency, or the dealer/distributor for information and assistance. The qualified installer must use factory authorized kits and accessories when modifying this product. Refer to the individual instructions packaged with the kit or accessory when installing.

The weight of the product requires careful and proper handling procedures when lifting or moving to avoid personal injury. Use care to avoid contact with sharp or pointed edges.

Follow all safety codes. Wear safety glasses, protective clothing, and work gloves. Use a heat sinking material – such as a wet rag – during brazing operations. Keep a fire extinguisher available. Consult local codes and the National Electric Code (NEC) for special requirements.

LOCATION

Check local codes for regulations concerning zoning, noise, platforms, and other issues.

Locate unit away from fresh air intakes, vents, or bedroom windows. Noise may carry into the openings and disturb people inside.

Locate unit in a well drained area, or support unit high enough so that water runoff will not enter the unit.

Locate unit away from areas where heat, lint, or exhaust fumes will be discharged onto unit (as from dryer vents).

CLEARANCES

Nominal minimum clearances are 48 inches (1.2m) above unit for discharge air and 18 inches (457mm) on each side of the coil for intake air. Clearance on any **one** side of the coil (normally between unit and structure) may be reduced to 6 inches (152mm). Nominal minimum clearances are based on a solid parallel object such as a wall or roof overhang.

The clearance may be reduced for a single object with small surface area, such as the end of a wall, outside corner of a wall, fence section, post, etc. As a general rule, the minimum clearance from the unit should equal the width of the object. For example, a 6 inch (152mm) fence post should be a minimum of 6 inches (152mm) from the unit.

Do not install unit under roof overhangs unless gutters are present. A minimum vertical clearance of 48 inches (1.2m) is required to the overhang.

Improper installation, adjustment, alteration, service or maintenance can void the warranty.



WARNING

ELECTRICAL SHOCK HAZARD

Failure to follow this warning could result in personal injury or death.

Before installing, modifying or servicing system, turn OFF the main (remote) electrical disconnect device. There may be more than one disconnect device. Lock out and tag switch with a suitable warning label.

Locate unit away from recessed or confined areas where recirculation of discharge air may occur (refer to CLEARANCES section of this document).

Roof-top installation is acceptable providing the roof will support the unit and provisions are made for water drainage and noise/vibration dampening.

NOTE: Roof mounted units exposed to wind may require wind baffles. Consult the manufacturer for additional information.

Inside corner locations on single story structures require evaluation. Large overhanging soffits may cause air recirculation in a corner area even though recommended minimum clearances are maintained. As a guide, locate the unit far enough out so that half of the discharge grille is out from under the soffit.

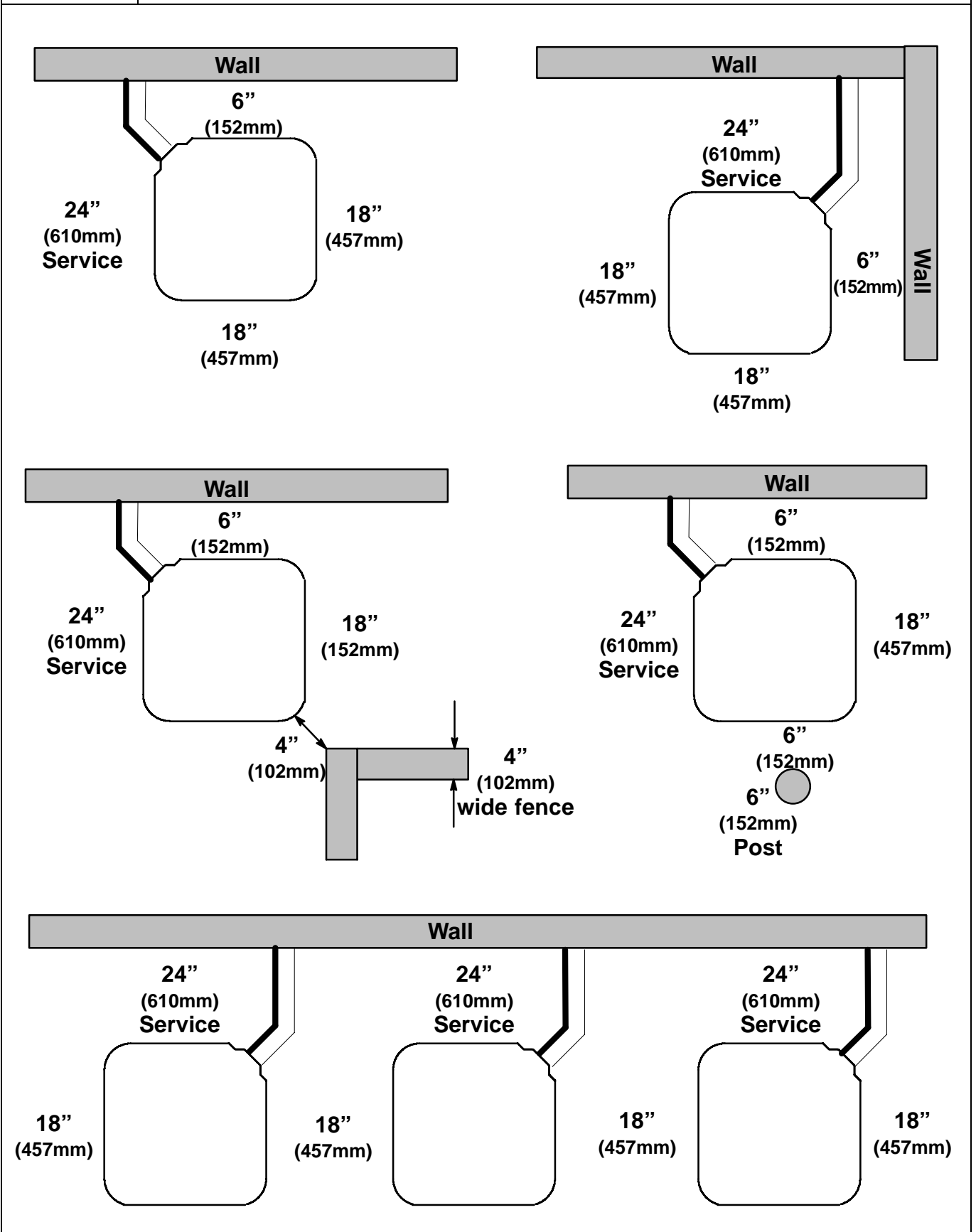
When placing two or more units side-by-side, provide a minimum of 18 inches (457mm) between units.

Provide minimum service clearance of 24 inches (610mm) from control box corner and side service panel.

Refer to Figure 1.

Figure 1

Clearances (various examples)



UNIT SUPPORT

NOTE: Unit must be level ± 2 degrees { $\frac{3}{8}$ inch rise or fall per foot of run (10mm rise or fall per 305 mm of run) } or compressor may not function properly.

A. GROUND LEVEL INSTALLATION

The unit must be level and supported above grade by beams, platform, or a pad. Platform or pad can be of open or solid construction but should be of permanent materials such as concrete, bricks, blocks, steel, or pressure-treated timbers approved for ground contact. Soil conditions must be considered so that the platform or pad does not shift or settle and leave the unit partially supported. Minimum pad dimensions are shown in Figure 2.

If beams or an open platform are used for support, it is recommended that the soil be treated or area be grveled to reduce the growth of grasses and weeds.

To minimize vibration or noise transmission, it is recommended that supports not be in contact with the building structure. However, slabs on grade constructions with an extended pad are normally acceptable.

! **CAUTION**

PROPERTY DAMAGE HAZARD

Failure to follow this caution may result in property damage.

Top surface of platform must be above estimated snowfall level to prevent snow blocking coil and to allow water melt to drain from unit.

B. ROOF TOP INSTALLATION

This type of installation is not recommended on wood frame structures where low noise levels are required.

Supporting structure or platform for the unit must be level. If installation is on a flat roof, locate unit minimum 6 inches (152mm) above roof level.

Place the unit over one or more load bearing walls. If there are several units, mount them on platforms that are self-supporting and span several load bearing walls. These suggestions are to minimize noise and vibration transmission through the structure. If the structure is a home or apartment, avoid locating the unit over bedrooms or study.

NOTE: When unit is to be installed on a bonded guaranteed roof, a release must be obtained from the building owner to free the installer from all liabilities.

C. FASTENING UNIT DOWN

If conditions or local codes require the unit be attached in place, remove the knockouts in the base pan and install tie down bolts through the holes (refer to Figure 2).

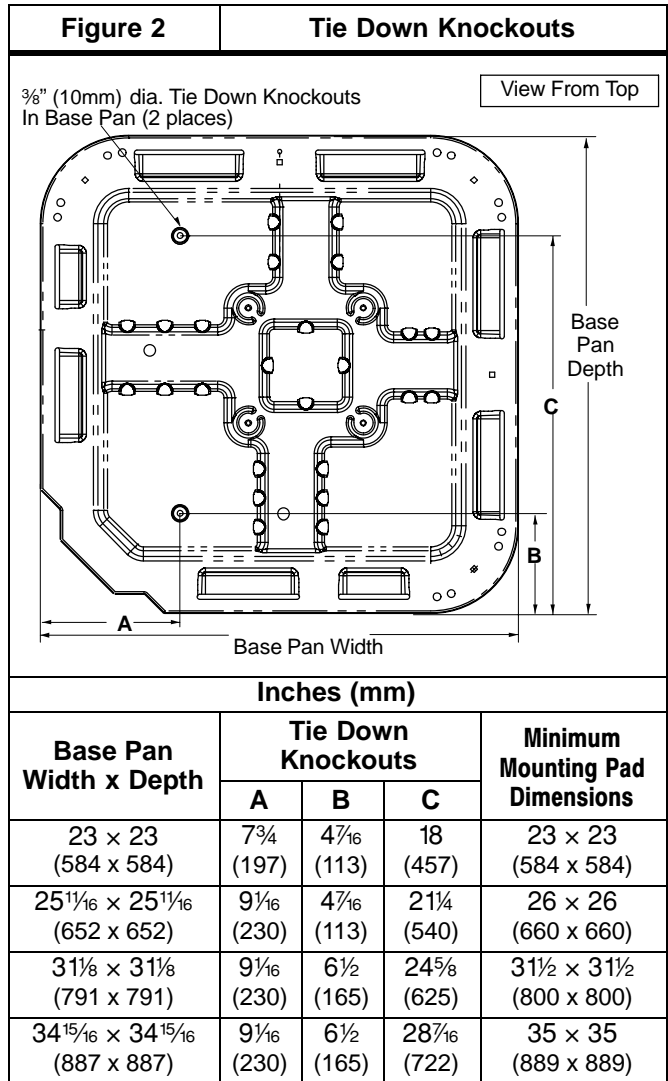
Contact local distributor for hurricane hold-down details and the P.E. (Professional Engineer) certification, when required.

! **CAUTION**

PROPERTY DAMAGE HAZARD

Failure to follow this caution may result in property damage.

Inadequate unit support may cause excessive vibration, noise, and/or stress on the refrigerant lines, leading to refrigerant line failure.



REFRIGERATION SYSTEM

A. COMPONENT MATCHES

Check to see that the proper system components are in place, especially the indoor coil.

R-22 outdoor units can only be used with R-22 specific indoor coils. If there is a refrigerant mis-match, consult the indoor coil manufacturer to determine if a refrigerant conversion kit is available for the indoor coil.

This outdoor unit is designed for use only with indoor coils that utilize a TXV refrigerant metering device. If any other type of metering device is installed on the indoor coil, consult the indoor coil manufacturer to determine if a TXV conversion kit is available.

B. REFRIGERANT LINE SETS

The refrigerant line set must be properly sized to assure maximum efficiency and proper oil circulation.

Refer to Product Specifications and Long Line Applications Guideline for line set sizing.

NOTE: If the line set actual length is to exceed 80 feet (24.4m), or if there is more than 20 feet (6.1m) vertical separation between outdoor and indoor units, refer to the Long Line Application Guideline document for additional instructions.

NOTE: Line set actual length must not exceed 200 feet (61m).

NOTE: A crankcase heater must be used when the refrigerant line length exceeds 80 feet (24.4m).

If it is necessary to add refrigerant line in the field, use dehydrated or dry, sealed, deoxidized, copper refrigeration tubing. Do not use copper water pipe.

Do not remove rubber plugs or caps from copper tubing until connections are ready to be made.

Be extra careful when bending refrigeration tubing. Tubing can “kink” easily, and if this occurs, the entire length of tubing must be replaced.

⚠ CAUTION

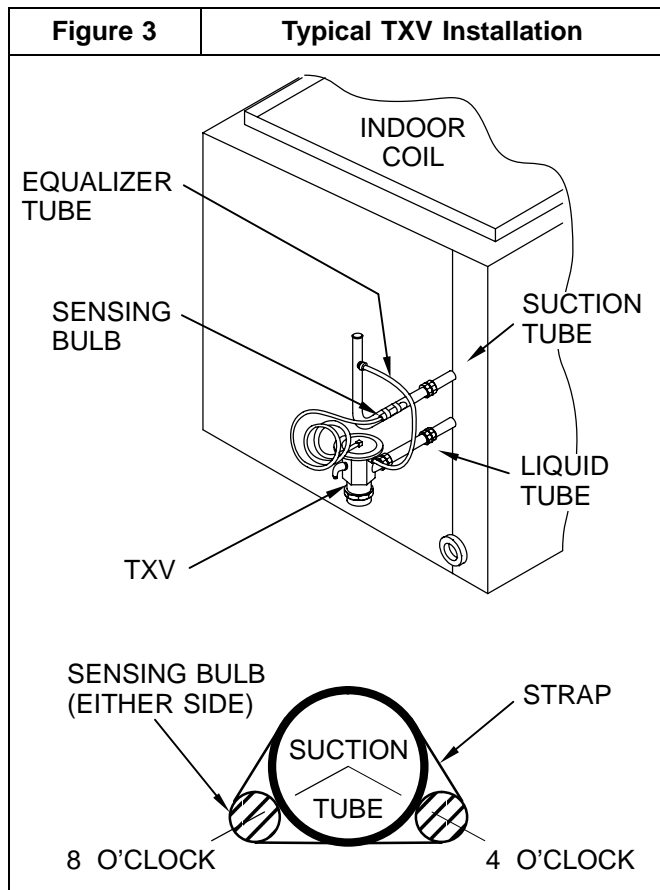
PRODUCT DAMAGE HAZARD

Failure to follow this caution may result in product damage.

Indoor coil and outdoor unit must be listed as a certified combination (match) in the ARI Unitary Directory of Certified Products. Indoor coil must have R-22 specific, TXV refrigerant metering device.

When installing a TXV on an indoor coil, follow the instructions provided with the new TXV.

A typical TXV installation is shown in Figure 3.



⚠ WARNING

PERSONAL INJURY HAZARD

Failure to follow this warning could result in personal injury and/or death.

Relieve pressure and recover all refrigerant before servicing existing equipment, and before final unit disposal. Use all service ports and open all flow-control devices, including solenoid valves.

⚠ CAUTION

UNIT OPERATION HAZARD

Failure to follow this caution may result in improper product operation.

Do not leave system open to atmosphere any longer than absolutely required for installation. Internal system components – especially refrigerant oils – are extremely susceptible to moisture contamination. Keep ends of tubing sealed during installation until the last possible moment.

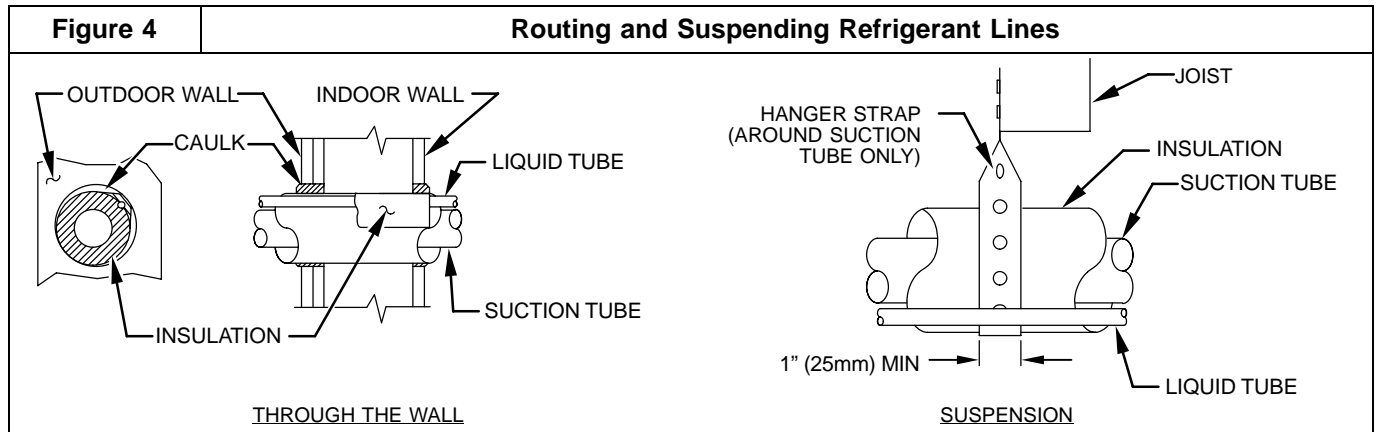
C. ROUTING AND SUSPENDING REFRIGERANT LINES

Run refrigerant lines as straight and direct as possible, avoiding unnecessary bends and turns. Always insulate the entire suction line. Both lines should be insulated when routed through an attic or when routed through an underground raceway.

When routing refrigerant lines through a foundation or wall, do not allow refrigerant lines to come in direct contact with the building structure. Make openings large

enough so that lines can be wrapped with extra insulation. Fill all gaps with RTV caulk. This will prevent noise transmission between the tubing and the foundation or wall.

Along floor or ceiling joists, suspend refrigerant lines so that they do not contact the building structure, water pipes, or ductwork. Use insulated or suspension type hangers. Metal straps must be at least 1" (25mm) wide to avoid cutting into the tube insulation. Keep the liquid and suction lines separate. Refer to Figure 4.



	CAUTION
UNIT OPERATION HAZARD	
<p>Failure to follow this caution may result in improper product operation.</p> <p>Do not bury more than 36" (1m) of line set underground. Refrigerant may migrate to cooler buried section during extended periods of unit shut-down, causing refrigerant slugging and possible compressor damage at start-up.</p> <p>If ANY section of the line set is buried underground, provide a minimum 6" (152mm) vertical rise at the service valve.</p>	

D. OUTDOOR UNIT HIGHER THAN INDOOR UNIT

Proper oil return to the compressor should be maintained with suction gas velocity. If velocities drop below 1500 fpm (feet per minute), oil return will be decreased. To maintain suction gas velocity, do not upsize vertical suction risers.

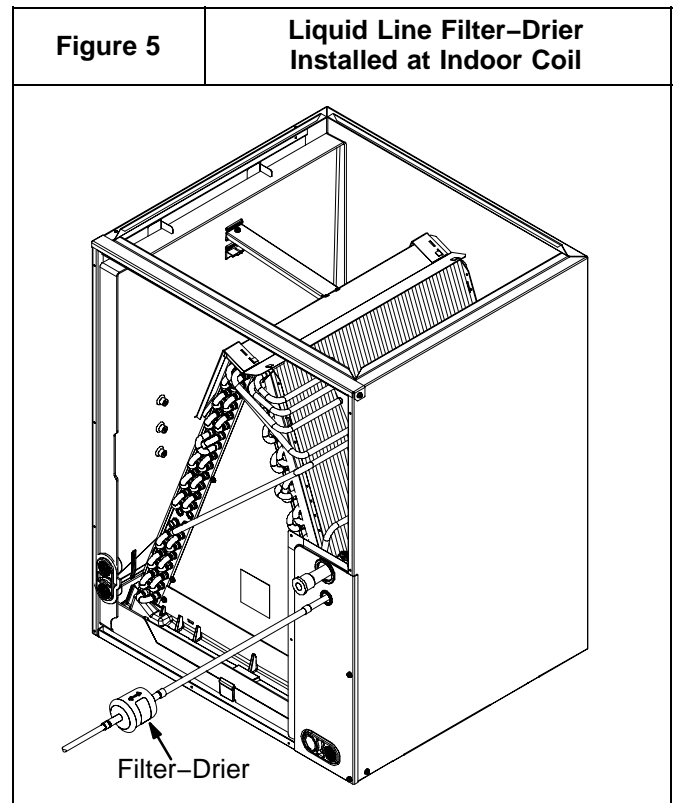
NOTE: If there is more than 20 feet (6.1m) vertical separation between outdoor and indoor units, refer to the Long Line Application Guideline document for additional instructions.

E. DUAL FUEL APPLICATIONS

	WARNING
PERSONAL INJURY - PRODUCT DAMAGE HAZARD	
<p>Failure to follow this warning could result in personal injury, death, and/or product damage.</p> <p>Dual fuel applications require a High Pressure Switch. Refer to Product Specifications literature for kit part number. (Some models may have High Pressure Switch factory installed.)</p>	

F. LIQUID LINE FILTER-DRIER

Outdoor units are shipped with an appropriate filter-drier for installation in the liquid line. Leave the plugs in the tube ends until the filter-drier is installed. The optimal location for the filter-drier is close to the indoor coil. Heat pump filter-driers are "bi-flow" type. Either end can be pointed towards indoor coil. Refer to Figure 5.



G. SERVICE VALVES

Service valves are closed and plugged from the factory. Outdoor units are shipped with a refrigerant charge sealed in the unit. Leave the service valves closed until all other refrigeration system work is complete or the charge will be lost. Leave the plugs in place until line set tubing is ready to be inserted.

Heat pumps require a piston metering device in the liquid service valve for proper heating operation. Piston and retainer are shipped in the piston body of the liquid service valve, temporarily held in place with a plastic cap. Do not remove the plastic cap until line set tubing is ready to be installed.

Refer to Figure 6 and follow these steps for piston installation:

1. Remove plastic cap holding piston and retainer in piston body of liquid service valve.
2. Check that piston size (stamped on side of piston) matches with number listed on unit rating plate. Return piston to piston body of liquid service valve (either direction).
Return retainer to piston body.
NOTE: Small end of retainer fits inside piston body, with O-ring sealing against inside of piston body
3. Find plastic bag taped to unit containing copper adapter tube with brass nut.
4. Install adapter tube against retainer and thread brass nut onto liquid service valve. Tighten nut finger tight, then wrench additional 1/2 turn only.

Service valve bodies are brass and suction tube stub is copper.

H. BRAZING CONNECTIONS

NOTE:

For Liquid Service Valve – Braze lineset to adapter tube BEFORE bolting adapter to valve. This helps prevent overheating and damage to plastic washer or o-ring.

For Vapor Service Valve – remove valve core from schrader port on both Service Valves BEFORE brazing. This helps prevent overheating and damage to valve seals (refer to Figure 6). Replace valve core when brazing is completed.

WARNING

FIRE HAZARD

Failure to follow this warning could result in personal injury, death, and/or property damage.

Refrigerant and oil mixture could ignite and burn as it escapes and contacts brazing torch. Make sure the refrigerant charge is properly removed from both the high and low sides of the system before brazing any component or lines.

Clean line set tube ends with emery cloth or steel brush. Remove any grit or debris.

Insert line set tube ends into service valve tube stubs.

Apply heat absorbing paste or heat sink product between service valve and joint. Wrap service valves with a heat sinking material such as a wet cloth.

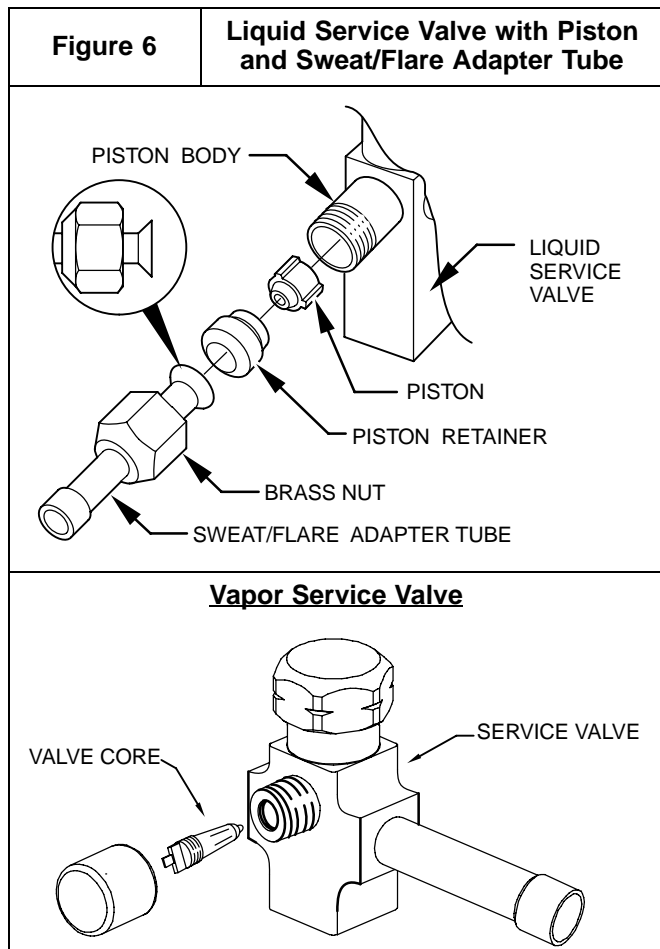
Braze joints using a Sil-Fos or Phos-copper alloy.

CAUTION

PRODUCT DAMAGE HAZARD

Failure to follow this caution may result in product damage.

Braze with Sil-Fos or Phos-copper alloy on copper-to-copper joints and wrap a wet cloth around rear of fitting to prevent damage to TXV.



I. EVACUATING LINE SET AND INDOOR COIL

The unit is shipped with a factory refrigerant charge. The liquid line and suction line service valves have been closed after final testing at the factory. Do not disturb these valves until the line set and indoor coil have been evacuated and leak checked, or the charge in the unit may be lost.

NOTE: Do not use any portion of the factory charge for purging or leak testing. The factory charge is for filling the system only after a complete evacuation and leak check has been performed.

⚠ CAUTION

PRODUCT DAMAGE HAZARD

Failure to follow this caution may result in product damage.

Never use the outdoor unit compressor as a vacuum pump. Doing so may damage the compressor.

Line set and indoor coil should be evacuated using the recommended deep vacuum method of 500 microns. If deep vacuum equipment is not available, the alternate triple evacuation method may be used by following the specified procedure.

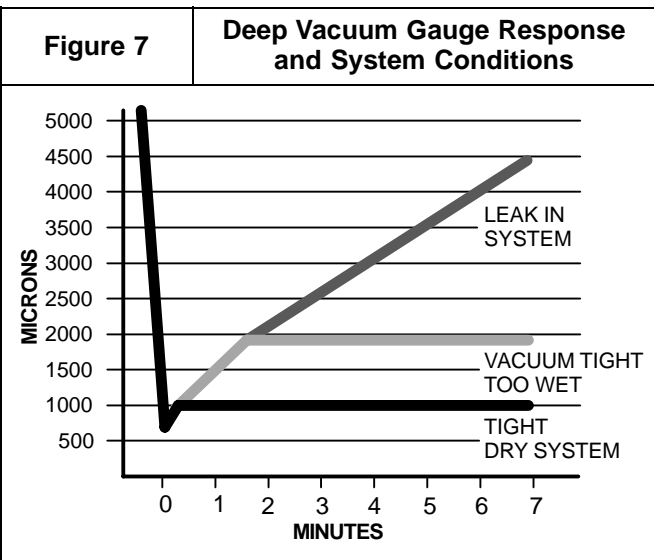
If vacuum must be interrupted during the evacuation procedure, always break vacuum with dry nitrogen.

Deep Vacuum Method

The deep vacuum method requires a vacuum pump capable of pulling a vacuum to 500 microns and a vacuum gauge capable of accurately measuring this vacuum level. The deep vacuum method is the most positive way of assuring a system is free of air and water.

Watch the vacuum gauge as the system is pulling down. The response of the gauge is an indicator of the condition of the system (refer to Figure 7).

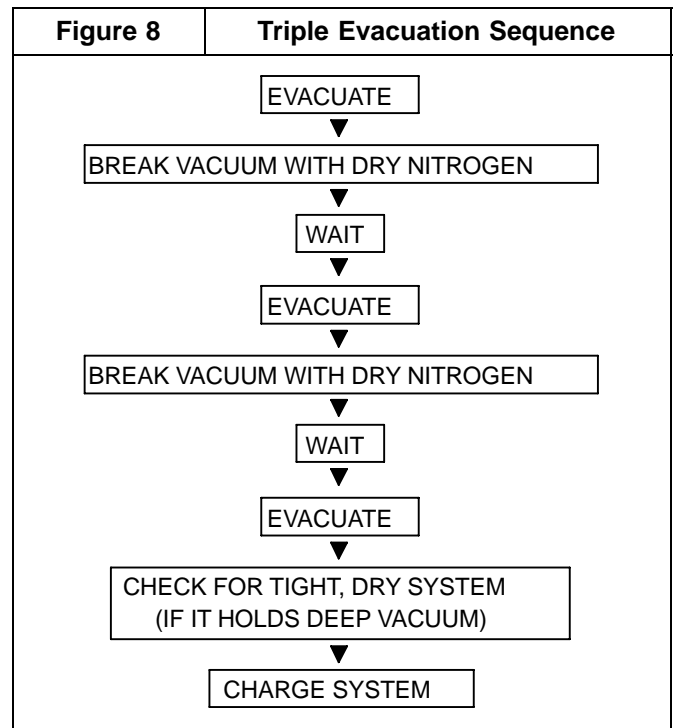
With no leaks in the system, allow the vacuum pump to run for 30 minutes minimum at the deep vacuum level.



Triple Evacuation Method

The triple evacuation method should only be used when system does not contain any water in liquid form and vacuum pump is only capable of pulling down to 28 inches of mercury (711mm Hg). Refer to Fig. 8 and proceed as follows:

1. Pull system down to 28 inches of mercury (711mm Hg) and allow pump to continue operating for an additional 15 minutes.
2. Close manifold valves or valve at vacuum pump and shut off vacuum pump.
3. Connect a nitrogen cylinder and regulator to system and fill with nitrogen until system pressure is 2 psig.
4. Close nitrogen valve and allow system to stand for 1 hour. During this time, dry nitrogen will diffuse throughout the system absorbing moisture.
5. Repeat this procedure as indicated in Figure 8.
6. After the final evacuate sequence, confirm there are no leaks in the system. If a leak is found, repeat the entire process after repair is made.



J. OPENING SERVICE VALVES

Outdoor units are shipped with a refrigerant charge sealed in the unit. Opening the service valves releases this charge into the system.

NOTE: Open the Suction service valve first. If the Liquid service valve is opened first, oil from the compressor may be drawn into the indoor coil TXV, restricting refrigerant flow and affecting operation of the system.

Remove Suction service valve cap and insert a hex wrench into the valve stem. Hold the valve body steady with an end-wrench and back out the stem by turning the hex wrench counterclockwise. Turn the stem until it just contacts the rolled lip of the valve body.

After the refrigerant charge has bled into the system, open the Liquid service valve.

NOTE: These are not back-seating valves. It is not necessary to force the stem tightly against the rolled lip.


The service valve cap is a primary seal for the valve and must be properly tightened to prevent leaks. Make sure cap is clean and apply refrigerant oil to threads and sealing surface on inside of cap.

Tighten cap finger tight and then tighten additional 1/8 of a turn (1 wrench flat) to properly seat the sealing surfaces.

K. GAUGE PORTS

Check for leaks at the schrader ports and tighten valve cores if necessary. Install plastic caps finger tight.

ELECTRICAL WIRING

 <p>WARNING</p>
<p>ELECTRICAL SHOCK HAZARD</p> <p>Failure to follow this warning could result in personal injury or death.</p> <p>Before installing, modifying or servicing system, turn OFF the main (remote) electrical disconnect device. There may be more than one disconnect device.</p>

Refer to unit rating plate for the required supply voltage. Depending on the model, required supply voltage will be:

208/230 V, 3-phase, 60 Hz.
or
460 V, 3-phase, 60 Hz.

Outdoor units are approved for use with copper conductors only. Do not use aluminum wire.

Refer to unit rating plate for minimum circuit ampacity and circuit protection requirements.

Grounding

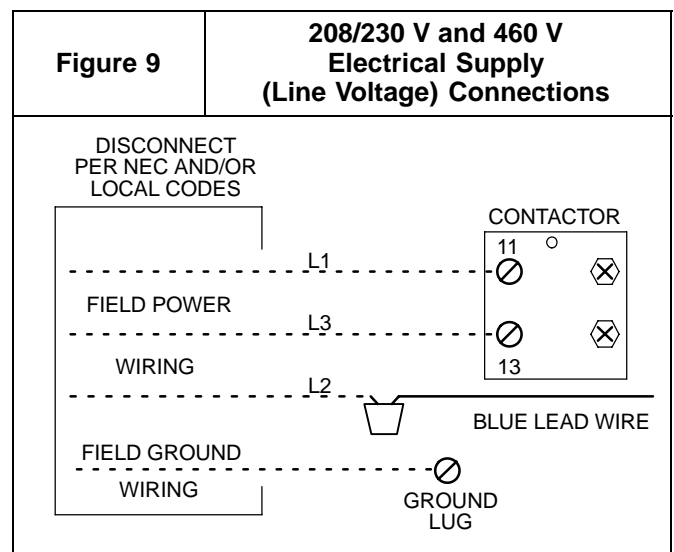
Permanently ground unit in accordance with the National Electrical Code and local codes or ordinances. Use a copper conductor of the correct size from the grounding lug in control box to a grounded connection in the service panel or a properly driven and electrically grounded ground rod.

Supply Voltage Wiring Connections

Make all outdoor electrical supply (Line Voltage) connections with raintight conduit and fittings. Most codes require a disconnect switch outdoors within sight of the unit. Consult local codes for special requirements.

Route electrical supply (Line Voltage) wiring through knockout hole in bottom of Control Box.

Connect two power wires to Contactor and one power wire to Blue lead wire (use wire nut). Connect ground wire to Ground Lug. Refer to Wiring Diagram on unit and Figure 9.



Phase Monitor Relay Board

The Phase Monitor Board detects the sequence of the three phase electrical system, and a relay breaks the Y (call for cooling) control signal if the phasing is incorrect. Additionally, the board will detect the loss of voltage on any of the three phase inputs and break the Y signal in the same way.

An LED on the board displays the following status:

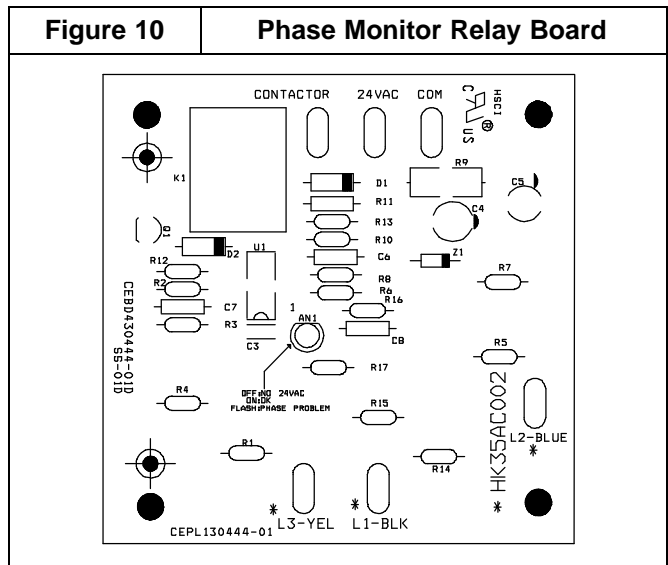
- Red LED ON – Normal function, relay contact closed.
- Red LED Blinking – Abnormal function, relay contact open.
- Red LED OFF – No 24 VAC control power present at board.

NOTE: If phase monitor is activated, correct the phase problem, and then follow these steps to reset the phase monitor:

1. Ensure line voltage is ON to the unit.
2. Disconnect 24 volts to outdoor unit.
3. Re-apply 24 volts to the outdoor unit.

This will reset the phase monitor.

NOTE: Units with Comfort Alert™ Diagnostics device have phase monitor feature built in.



Thermostat Wiring Connections

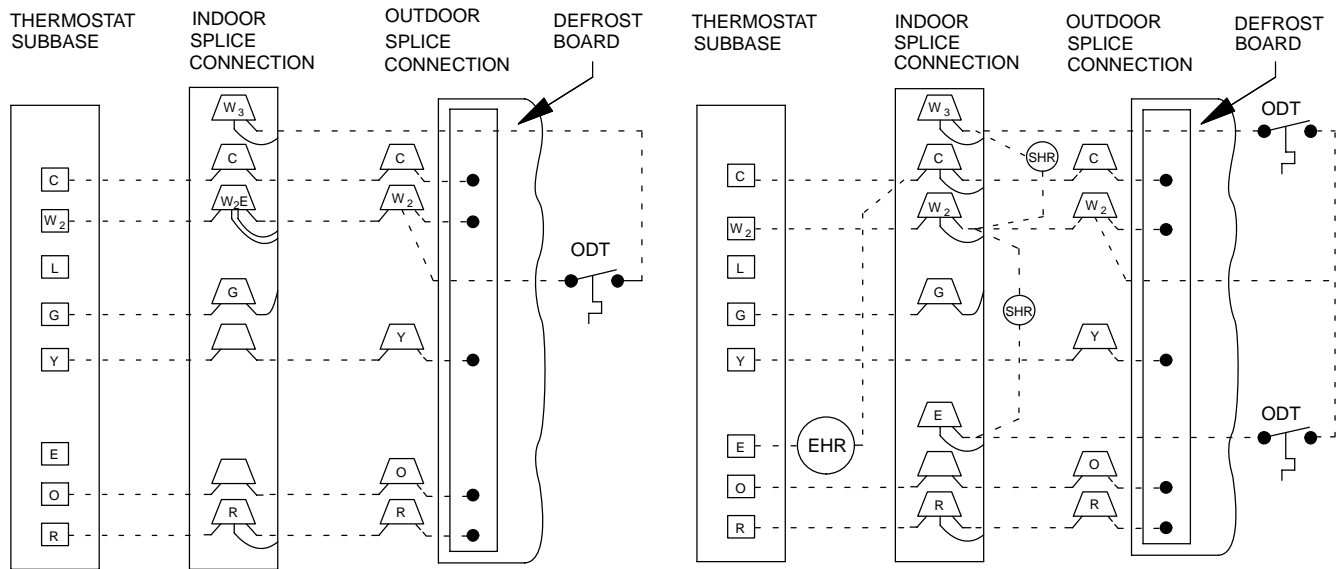
Route thermostat wiring through rubber grommet in bottom of Control Box. Low voltage lead wires are provided in the control box for connection to thermostat wires (use wire nuts). Refer to Wiring Diagram on unit and Figure 11 for low voltage wiring examples.

NOTE: Use No. 18 AWG (American Wire Gauge) color-coded, insulated (35 °C minimum) wire. If thermostat is located more than 100 feet (30.5 m) from unit as measured along the control voltage wires, use No. 16 AWG color-coded wires to avoid excessive voltage drop.

Figure 11

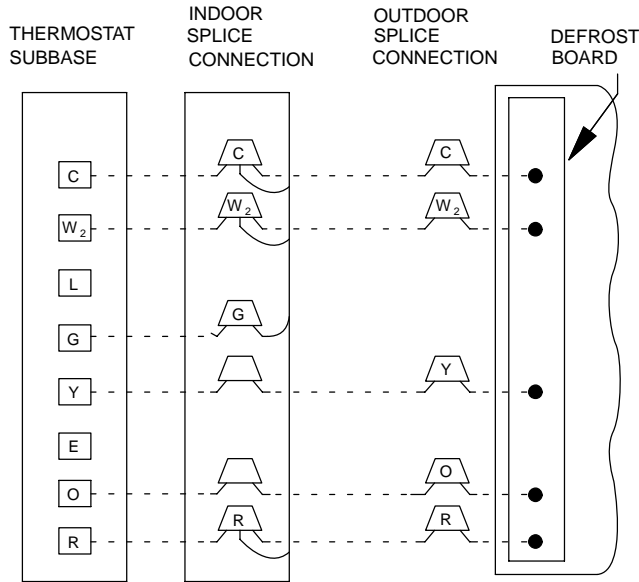
Typical Thermostat (Control Circuit) Connections

NOTE: WHEN USING OUTDOOR THERMOSTATS, W₂ MUST BE ENERGIZED WHEN REQUESTING SUPPLEMENTAL HEAT.
 SYSTEMS WITH ONE OUTDOOR THERMOSTAT SYSTEMS WITH TWO OUTDOOR THERMOSTATS



REMOVE WIRES FROM CRIMP NUT IN INDOOR FAN COIL WHEN INSTALLING OUTDOOR THERMOSTATS.

SYSTEMS WITHOUT OUTDOOR THERMOSTATS



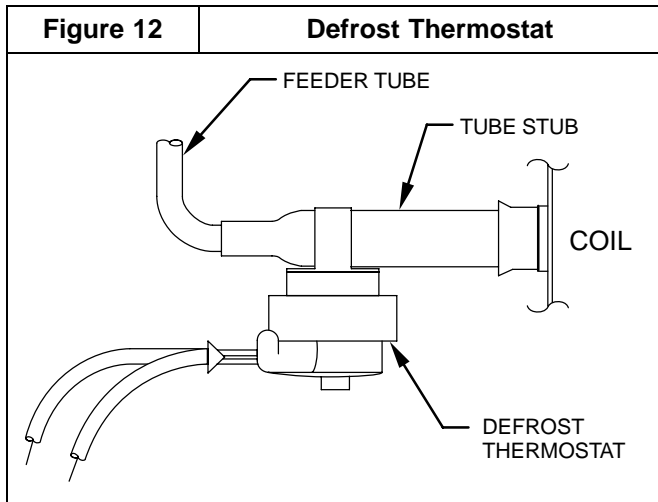
LEGEND

- 24-V FACTORY WIRING
- - - - 24-V FIELD WIRING
- FIELD SPLICE CONNECTION
- OUTDOOR THERMOSTAT
- EMERGENCY HEAT RELAY
- SUPPLEMENTAL HEAT RELAY

DEFROST SYSTEM

A. DEFROST THERMOSTAT

The defrost thermostat is factory installed on a short tube stub extending from the coil end plate. Refer to Figure 12 and confirm that the thermostat is securely fastened in place on the tube stub.



B. DEFROST CONTROL BOARD

The defrost board is a time/temperature control which includes a field-selectable time period between defrost cycles of 30, 60, or 90 minutes (quick-connects located at board edge, factory set at 90 minutes).

Defrost mode is identical to cooling mode except that outdoor-fan motor stops and second-stage heat is turned on to continue warming conditioned space.

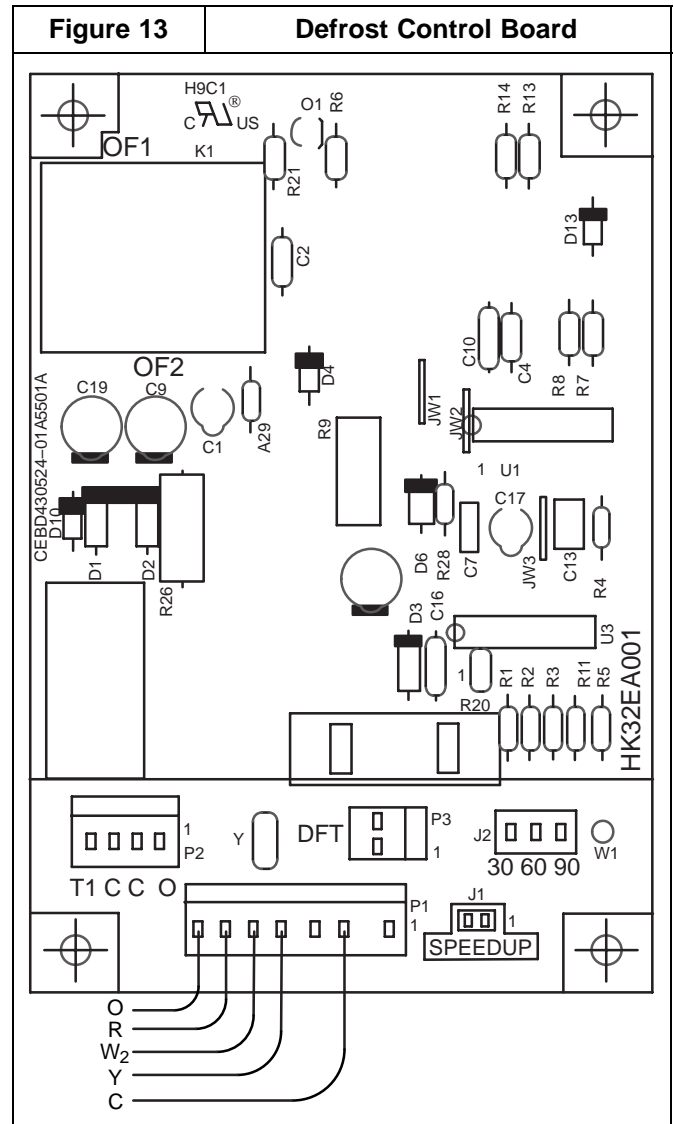
Initially, the defrost cycle timer starts when the contactor is energized and a 24 VAC signal is present on the T1 terminal. Then the defrost cycle begins when the defrost thermostat is closed and the cycle timer times out (30, 60, 90 or minutes).

To initiate a forced defrost cycle, the defrost thermostat must be closed. This can be accomplished as follows:

1. Turn off power to outdoor unit.
2. Disconnect outdoor fan-motor lead from OF2 on control board (refer to Figure 13). Tape lead to prevent grounding.
3. Restart unit in heating mode, allowing frost to accumulate on outdoor coil.
4. After a few minutes in heating mode, liquid line temperature should drop below closing point of defrost thermostat, approximately 32° F (0° C).
5. Short between speed-up terminals with a flat-bladed screwdriver (refer to Figure 13). This reduces the timing sequence to 7, 14, or 21 seconds (30, 60, or 90 minute defrost selection, respectively).
6. When you hear reversing valve change position, remove screwdriver immediately; otherwise, control will terminate normal 10-minute defrost cycle in approximately 2 seconds.

NOTE: Length of defrost cycle is dependent upon length of time it takes to remove screwdriver from test pins after reversing valve has shifted.

7. Unit will remain in defrost for remainder of defrost-cycle time or until defrost thermostat reopens at approximately 65° F(18° C) coil temperature of liquid line.
8. Turn off power to outdoor unit and reconnect fan-motor lead to OF2 on control board (refer to Figure 13).



START-UP PROCEDURE

1. Set indoor thermostat selector switch to OFF.
2. Turn ON all electrical disconnect devices.
3. If unit has a crankcase heater, energize the heater and wait 24 hours before proceeding.
4. Set indoor thermostat at desired temperature. Be sure setpoint is below indoor ambient temperature to call for cooling, or above indoor ambient to call for heating.
5. Set indoor thermostat selector switch to COOL or HEAT. Operate unit for minimum 15 minutes, then check the system refrigerant charge.

Check For Proper Phasing

Observe the LED on the Phase Monitor Relay Board. If the LED is blinking, turn off power to the unit and swap any two of the supply voltage wires. Turn power back on and repeat the start-up procedure.

REFRIGERANT CHARGE

A. COOLING MODE

Outdoor units are shipped with a refrigerant charge to match a specific indoor coil and 15 feet (4.6m) of refrigerant line. If shorter or longer refrigerant lines or a different indoor coil are used, the charge will have to be adjusted.

For different line lengths, add or remove charge based on 0.6 ounces (17g) charge per foot (305mm) of difference. For example, a 25 foot (7.6m) line set is 10 feet (3m) longer than the specified 15 feet (4.6m). Add 0.6 ounces (17g) charge for each of the extra 10 feet (3m):

$10 \times 0.6 = 6.0$ ounces additional charge

$(3\text{m} \times 17\text{g} = 51\text{g})$ additional charge)

This outdoor unit is designed for use only with indoor coils that utilize a TXV refrigerant metering device. With an indoor TXV, use the subcooling method to make final charge adjustments:

NOTE: Only use subcooling charging method when

- outdoor ambient temperature is between 70°F and 100°F (21°C and 38°C)
- indoor temperature is between 70° and 80°F (21°C and 27°C)
- line set is less than 80 feet (24.4m).

1. Operate unit a minimum of 15 minutes before checking charge.

NOTE: If outdoor unit has a 2-speed fan motor, motor will operate in low speed when outdoor ambient temperature is below 82°F (28°C). Pull one of the yellow low voltage wires off the fan control and the unit will default to high speed fan for servicing. Reconnect wire after servicing.

2. Measure liquid service valve pressure by attaching an accurate gauge to service port.

3. Measure liquid line temperature by attaching an accurate thermistor type sensor or electronic thermometer to liquid line near outdoor coil.

4. Refer to unit rating plate for required subcooling temperature.

5. Refer to Figure 14. Find the required liquid line temperature where the rating plate subcooling temperature intersects measured liquid service valve pressure.

6. If the measured liquid line temperature is higher than the chart number, add refrigerant to lower the measured temperature.

NOTE: When adding refrigerant, charge in liquid form, using a flow restricting device, into the suction port.

If the measured liquid line temperature is lower than the chart number, reclaim refrigerant to raise the measured temperature.

Tolerance is $\pm 3^\circ\text{F}$ ($\pm 1.7^\circ\text{C}$).

B. HEATING MODE

To check system operation during heating cycle, refer to the Tech Label on outdoor unit. This chart indicates whether a correct relationship exists between system operating pressure and air temperature entering indoor and outdoor units. If pressure and temperature do not match on chart, system refrigerant charge may not be correct. Do not use chart to adjust refrigerant charge.

NOTE: When charging is necessary during heating season, charge must be weighed in accordance with unit rating plate ± 0.6 ounces per foot of $\frac{3}{8}$ inch liquid line above or below 15 feet respectively ($\pm 17\text{g}$ per 305mm of 10mm liquid line above or below 4.6m respectively).

Figure 14 Measured Liquid Pressure (psig)	Rating Plate (required) Subcooling Temperature °F (°C)							
	°F 5	(°C) 3	°F 10	(°C) 6	°F 15	(°C) 8	°F 20	(°C) 11
	R-22 Required Liquid Line Temperature °F (°C)							
163	83	28	78	26	73	23	68	20
171	86	30	81	27	76	24	71	22
179	89	32	84	29	79	26	74	23
187	92	33	87	31	82	28	77	25
196	95	35	90	32	85	29	80	27
205	98	37	93	34	88	31	83	28
214	101	38	96	36	91	33	86	30
223	104	40	99	37	94	34	89	32
233	107	42	102	39	97	36	92	33
243	110	43	105	41	100	38	95	35
253	113	45	108	42	103	39	98	37
264	116	47	111	44	106	41	101	38
274	119	48	114	46	109	43	104	40
285	122	50	117	47	112	44	107	42
297	125	52	120	49	115	46	110	43
309	128	53	123	51	118	48	113	45

SEQUENCE OF OPERATION

A. COOLING MODE

On a call for cooling, the thermostat makes circuits R-O, R-Y, and R-G. Circuit R-O energizes reversing valve, switching it to cooling position. Circuit R-Y energizes contactor, starting outdoor fan motor and compressor. Circuit R-G energizes indoor unit blower relay, starting indoor blower motor.

When thermostat is satisfied, its contacts open, de-energizing contactor and blower relay. Compressor and motors stop.

NOTE: If indoor unit is equipped with a time-delay relay circuit, the blower runs an additional length of time to increase system efficiency. (Applies to both cooling and heating modes.)

B. HEATING MODE

On a call for heating, the thermostat makes circuits R-Y and R-G (circuit R-O is NOT made, and the reversing valve stays in the de-energized, heating position). Circuit R-Y energizes contactor, starting outdoor fan motor and compressor. Circuit R-G energizes indoor blower relay, starting blower motor. If the room temperature continues to fall, circuit R-W2 is made through the second-stage room thermostat bulb. Circuit R-W2 energizes a sequencer, bringing on the first bank supplemental electric heat and providing electrical potential to the second heater sequencer (if used). If outdoor temperature falls below the setting of the outdoor thermostat (field-installed option), contacts close to complete the circuit and bring on the second bank of supplemental electric heat.

When the thermostat is satisfied, its contacts open, de-energizing contactor, blower relay, and sequencer. Compressor, motors, and heaters stop.

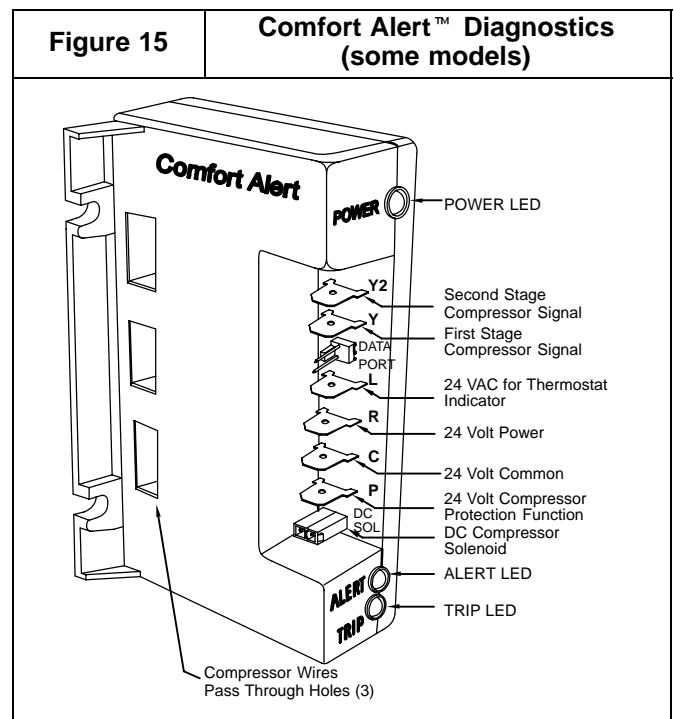
TROUBLESHOOTING

Some models are factory equipped with the Comfort Alert™ Diagnostics device in the control box (refer to Figure 15). Comfort Alert provides around-the-clock monitoring for common electrical problems, compressor defects, and broad system faults. If trouble is detected, an alert code is displayed with a flashing LED indicator.

NOTE: Comfort Alert is required for unit operation. Comfort Alert provides active safety protection and compressor may be shut down. Alert codes are listed in Figures 16 and 17.

Comfort Alert is factory wired and requires no modification. Low voltage lead wires are provided in the control box for connection to thermostat wires (use wire nuts).

The Comfort Alert device operates by monitoring the compressor power leads and the thermostat demand signal (Y terminal). It draws constant 24 VAC power at the R and C terminals.



MAINTENANCE

Condensate Drain

During the cooling season, check monthly for free flow of drainage and clean if necessary.

Cleanliness

These tips will help keep the air conditioner looking better and working more efficiently:

1. Free flow of air is essential. Keep fences, shrubs, trash cans, and other obstructions at least 18 inches from all coil inlets.

2. Keep the coil free of grass clippings, leaves, weeds, and other debris.

NOTE: Coil may occasionally require cleaning with a liquid solution. The coil must be cold when cleaning. Use an alkaline based cleaner only. Cleaning a hot coil or using an acid based cleaner will remove the paint from the fins and may clog the coil.

3. Never use a weather cover over the outdoor unit unless it is a ventilated type or made of breathable fabric that will allow moisture to evaporate rapidly. A cover that holds moisture in the unit will cause more rust build-up and damage than normal exposure to weather.

Figure 16		Comfort Alert™ Diagnostics (some models)	
Status LED	Status LED Description	Status LED Troubleshooting Information	
Green "POWER"	Module has power	Supply voltage is present at module terminals	
Red "TRIP" LED On Solid	Thermostat demand signal Y1 is present, but the compressor is not running	<ol style="list-style-type: none"> 1. Compressor protector is open 2. Outdoor unit power disconnect is open 3. Compressor circuit breaker or fuse(s) is open 4. Broken wire or connector is not making contact 5. Compressor power wires not routed through Comfort Alert 6. Compressor contactor has failed open 	
Red "TRIP" LED Flashing	The anti-short cycle timer (3 minutes), in module is preventing compressor restart.		
Module locks out compressor when compressor damaging ALERT codes appear. Lockout ALERT codes are noted in the Status LED Description; during a compressor lockout, 24VAC power must be removed from module to manually reset.			
Yellow "ALERT" LED On Solid	A short circuit or over current condition exists on PROT terminal	<ol style="list-style-type: none"> 1. Compressor contact coil shorted 2. Electrical load too high for PROT circuit (maximum) 1 amp 3. 24 VAC wired directly to PROT terminal 	
Yellow "ALERT" Flash Code 2	System Pressure Trip Discharge or suction pressure out of limits or compressor overloaded (if no high pressure switch in system) LOCKOUT	<ol style="list-style-type: none"> 1. High head pressure 2. Condenser coil poor air circulation (dirty, blocked, damaged) 3. Condenser fan is not running 4. If low pressure switch present in system, check Flash Code 3 information 	
Yellow "ALERT" Flash Code 3	Short Cycling Compressor is running only briefly LOCKOUT	<ol style="list-style-type: none"> 1. If low pressure switch is open: <ol style="list-style-type: none"> a. Low refrigerant charge b. Evaporator bower is not running c. Evaporator coil is frozen d. Faulty metering device e. Condenser coil is dirty f. Liquid line restriction 2. If high pressure switch present go to Flash Code 2 information 3. Intermittent thermostat demand signal 4. System or control board defective 	
Yellow "ALERT" Flash Code 4	Locked Rotor LOCKOUT	<ol style="list-style-type: none"> 1. Low line voltage to compressor 2. Excessive liquid refrigerant in compressor 3. Compressor bearings are seized 	
Yellow "ALERT" Flash Code 5	Open Circuit	<ol style="list-style-type: none"> 1. Outdoor unit power disconnect is open 2. Compressor circuit breaker or fuse(s) is open 3. Compressor contactor has failed open 4. High pressure switch is open and requires manual reset 5. Broken supply wires or connector is not making contact 6. Unusually long compressor protector reset time due to extreme ambient temperature 7. Compressor windings are damaged 	
Yellow "ALERT" Flash Code 6	Missing Phase LOCKOUT	<ol style="list-style-type: none"> 1. Compressor fuse is open on one phase 2. Broken wire or connector on one phase 3. Compressor motor winding is damaged 4. Utility supply has dropped one phase 	
Yellow "ALERT" Flash Code 7	Reverse Phase LOCKOUT	<ol style="list-style-type: none"> 1. Compressor running backward do to supply phase reversal 	
Yellow "ALERT" Flash Code 8	Welded Contactor Compressor always runs	<ol style="list-style-type: none"> 1. Compressor contactor has failed closed 2. Thermostat demand signal not connected to module 	
Yellow "ALERT" Flash Code 9	Low Voltage Control circuit < 18VAC	<ol style="list-style-type: none"> 1. Control circuit transformer is overloaded 2. Low line voltage to compressor 	

- Flash Code number corresponds to a number of LED flashes, followed by a pause and then repeated.
- TRIP and ALERT LEDs flashing at same time means control circuit voltage is too low for operation.
- Reset ALERT Flash code by removing 24VAC power from module.
- Last ALERT Flash code is displayed for 1 minute after module is powered on.
- ALERT codes can be reset manually or automatically. ALERT codes that result in a lockout or compressor lockout can only be reset manually.
 - For manual reset, cycle power to Comfort Alert off and on.
 - For automatic reset, Comfort Alert will continue to monitor compressor and system; if condition returns to normal, the ALERT code is automatically turned off.

Figure 17	Comfort Alert™ Diagnostics (some models)
Miswired Module Indication	Troubleshooting Information
Green LED is not on, module does not power up	Determine if both R and C module terminals are connected. Verify voltage is present at module's R and C terminals.
Green LED intermittent, module powers up only when compressor runs	Determine if R and Y terminals are wired in reverse. Verify module's R and C terminals have a constant source.
TRIP LED is on but system and compressor check OK	Verify Y terminal is wired properly per OEM wiring diagram. Verify voltage at contactor coil falls below 0.5VAC when off. Verify 24VAC is present across Y and C when thermostat demand signal is present. If not, R and C are reverse wired.
TRIP LED and ALERT LED flashing together	Verify R and C terminals are supplied with 19-28VAC.
ALERT Flash Code 3 (Compressor short cycling) displayed incorrectly	Verify Y terminal is connected to 24VAC at contactor coil. Verify voltage at contactor coil falls below 0.5VAC when off.
ALERT Flash Code 5 or 6 (Open Circuit, Missing Phase) displayed incorrectly	Check that compressor T1 and T3 wires are through module's current sensing holes. Verify Y terminal is connected to 24VAC at contactor coil. Verify voltage at contactor coil falls below 0.5VAC when off.
ALERT Flash Code 8 (Welded Contactor) displayed incorrectly	Determine if module's Y terminal is connected. Verify Y terminal is connected to 24VAC at contactor coil. Verify 24VAC is present across Y and C when thermostat demand signal is present. If not, R and C are reversed wired. Verify voltage at contactor coil falls below 0.5VAC when off. Review.