



### EFFICIENT 13 SEER 3-PHASE AIR CONDITIONER

2-1/2 THRU 5 TONS SPLIT SYSTEM

208 / 230 Volt, 3-phase, 60 Hz

460 Volt, 3-phase, 60 Hz

575 Volt, 3-phase, 60 Hz

#### REFRIGERATION CIRCUIT

- Copeland® compressors on all models
- Filter-Drier supplied with every unit for field installation
- Copper tube / aluminum fin coil

#### EASY TO INSTALL AND SERVICE

- Easy Access service valves on all models
- External high and low refrigerant service ports
- Only two screws to access control panel
- Factory charged with R-410A refrigerant

#### BUILT TO LAST

- Baked-on powder coat finish over galvanized steel
- Post-painted (black) coil fins
- Coated, weather-resistant cabinet screws
- Coated inlet grille with 3/8" (10mm) grille spacing (hail guard)

#### WARRANTY

- 5 year compressor limited warranty
- 1 year coil and parts limited warranty



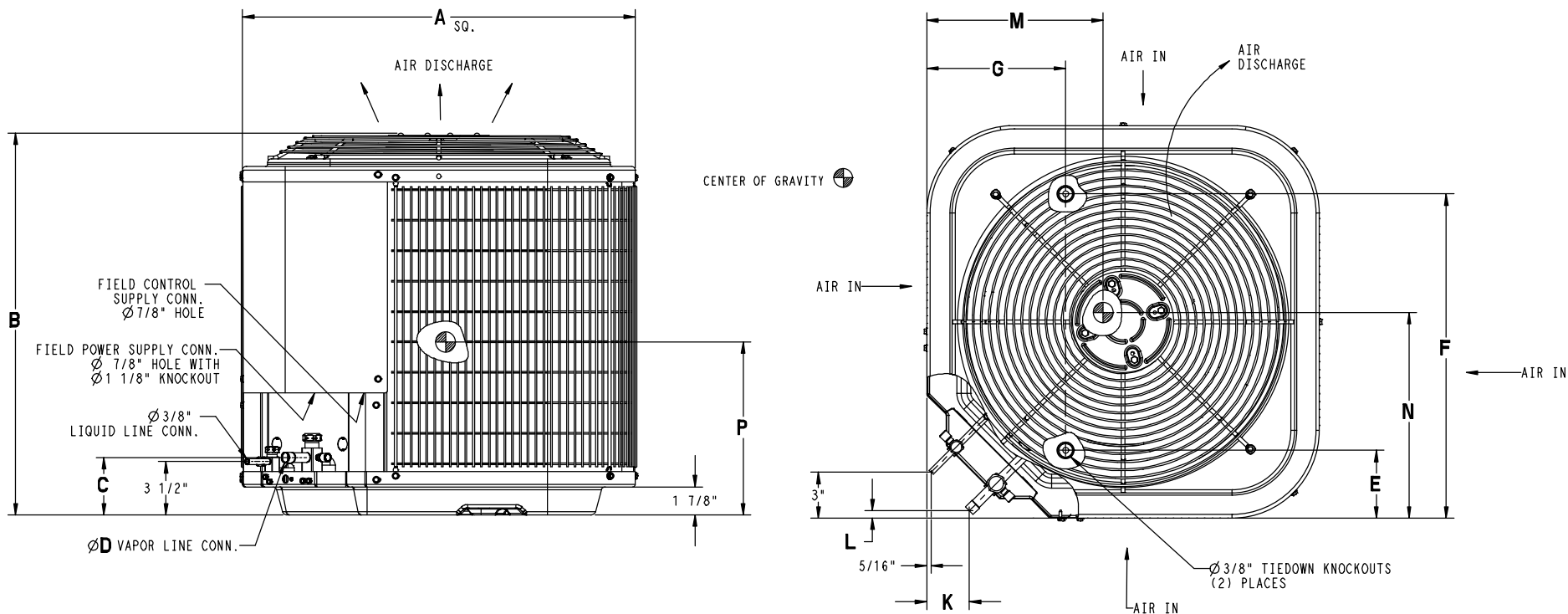
Use of the AHRI Certified TM Mark indicates a manufacturer's participation in the program. For verification of certification for individual products, go to [www.ahridirectory.org](http://www.ahridirectory.org).



Model Number	Voltage	Size (tons)	Nominal Btu/hr	Min. Circuit Ampacity	Max. Fuse or Breaker	Operating Dimensions h x w x d in. (mm)	Ship / Operating Weight lbs. (kg)
N4A330GHC	208/230	2-1/2	30,000	11.2	20	28-11/16 x 23-1/8 x 23-1/8 (729 x 587 x 587)	136 / 111 (62 / 50)
N4A336GHB	208/230	3	36,000	14.5	20	31-13/16 x 25-3/4 x 25-3/4 (808 x 654 x 654)	170 / 141 (77 / 64)
N4A336GLB	460			7.7	15		
N4A336GSB	575			5.3	15		
N4A342GHA	208/230	3-1/2	42,000	18.0	30	32-5/16 x 31-3/16 x 31-3/16 (821 x 792 x 792)	208 / 180 (94 / 82)
N4A342GLA	460			8.1	15		
N4A348GHB	208/230	4	48,000	17.8	30	35-3/4 x 31-3/16 x 31-3/16 (908 x 792 x 792)	215 / 178 (98 / 81)
N4A348GLB	460			8.3	15		
N4A348GSB	575			6.0	15		
N4A360GHC	208/230	5	60,000	21.4	30	28-15/16 x 31-3/16 x 31-3/16 (735 x 792 x 792)	224 / 192 (102 / 87)
N4A360GLC	460			10.5	15		
N4A360GSC	575			7.6	15		

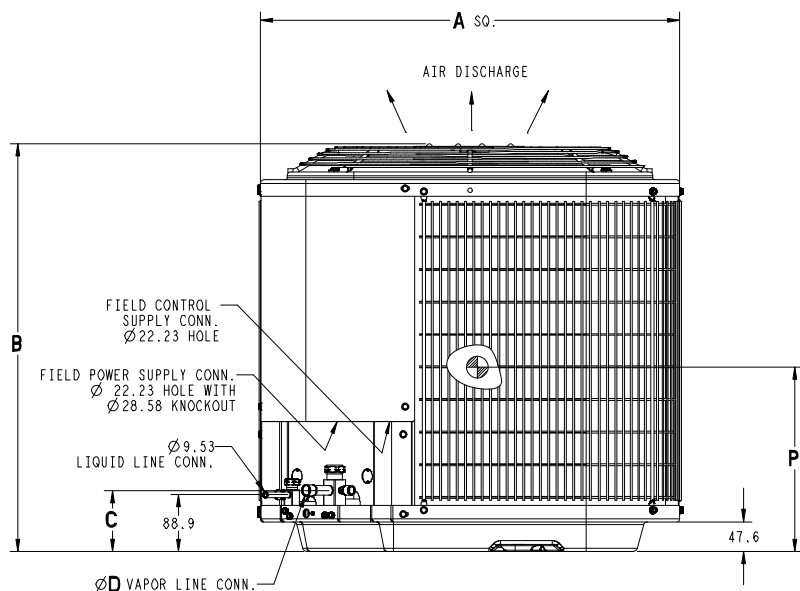
OUTDOOR UNIT MODEL NUMBER IDENTIFICATION GUIDE (3-phase)											
DIGIT POSITION	1	2	3	4	5, 6	7	8	9	10	11	12
	<b>N</b>	<b>4</b>	<b>A</b>	<b>3</b>	<b>36</b>	<b>G</b>	<b>H</b>	<b>A</b>	<b>1</b>	<b>0</b>	<b>0</b>
Product Family	<b>REFRIGERANT</b>		<b>TYPE</b>								
4 = R-410A	<b>REFRIGERANT</b>		<b>TYPE</b>								
A = Air Conditioner	<b>TYPE</b>										
H = Heat Pump	<b>TYPE</b>										
3 = 13 SEER	<b>NOMINAL EFFICIENCY</b>										
30 = 30,000 BTUH = 2-1/2 tons	<b>NOMINAL EFFICIENCY</b>										
36 = 36,000 BTUH = 3 tons	<b>NOMINAL EFFICIENCY</b>										
42 = 42,000 BTUH = 3-1/2 tons	<b>NOMINAL EFFICIENCY</b>										
48 = 48,000 BTUH = 4 tons	<b>NOMINAL EFFICIENCY</b>										
60 = 60,000 BTUH = 5 tons	<b>NOMINAL EFFICIENCY</b>			<b>NOMINAL CAPACITY</b>							
G = Coil Guard Grille	<b>FEATURES</b>										
H = 208/230-3-60	<b>FEATURES</b>										
L = 460-3-60	<b>FEATURES</b>										
S = 575-3-60	<b>FEATURES</b>					<b>VOLTAGE</b>					
Sales Code											
Engineering Revision											
Extra Digit											
Extra Digit											

ACCESSORIES PART NUMBER IDENTIFICATION GUIDE									
Digit Position:	1	2	3	4	5	6, 7	8, 9	10, 11	
Example Part Number:	<b>N</b>	<b>A</b>	<b>S</b>	<b>A</b>	<b>0</b>	<b>01</b>	<b>01</b>	<b>CH</b>	
N = Non-Branded	<b>BRANDING</b>								
A = Accessory	<b>PRODUCT GROUP</b>								
S = Split System (AC & HP)	<b>PRODUCT GROUP</b>		<b>KIT USAGE</b>						
A = Original	<b>PRODUCT GROUP</b>		<b>MAJOR SERIES</b>						
B = 2nd Generation	<b>PRODUCT GROUP</b>		<b>MAJOR SERIES</b>						
0 = Generic or Not Applicable	<b>PRODUCT GROUP</b>		<b>MAJOR SERIES</b>						
2 = R-22	<b>PRODUCT GROUP</b>		<b>MAJOR SERIES</b>						
4 = R-410A	<b>PRODUCT GROUP</b>		<b>REFRIGERANT</b>						
Product Identifier Number									
Package Quantity									
Type of Kit (Example: CH = Crankcase Heater)									

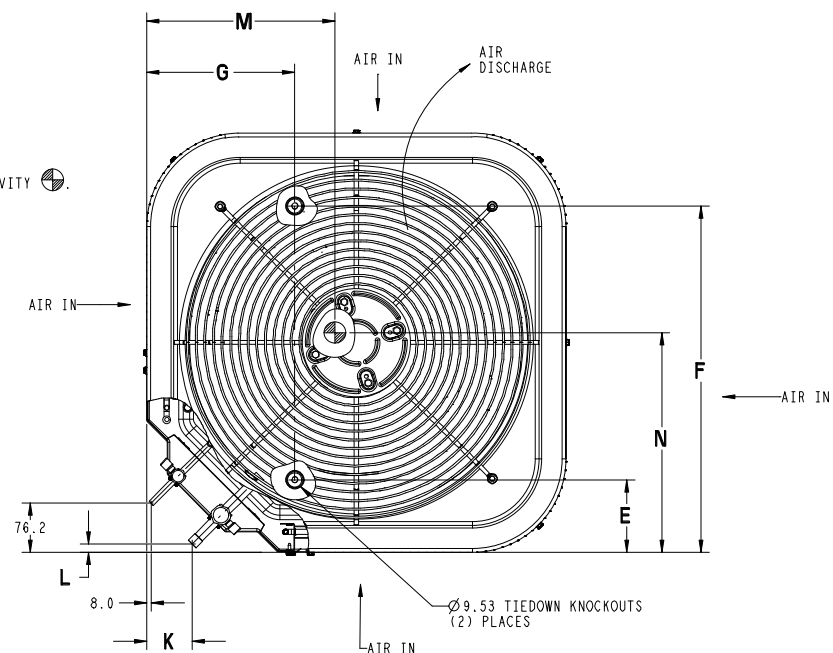


Dimensions Inches (English)

Model	Dimensions Inches (English)												Minimum Mounting Pad Size	Crated Dimensions H x W x D
	A	B	C	D	E	F	G	K	L	M	N	P		
N4A330GHC	23-1/8	28-11/16	3-3/4	3/4	4-7/16	18-1/16	7-13/16	2-13/16	1/2	16-1/2	15	14	23-1/2 x 23-1/2	33-1/2x27-3/8x24-1/4
N4A336GHB N4A336GLB N4A336GSB	25-3/4	31-13/16	3-7/8	7/8	6-9/16	21-1/4	9-1/8	2-15/16	5/8	14-1/4	10-1/2	16	26 x 26	35-15/16x30-1/6x26-7/8
N4A342GHA N4A342GLA	31-3/16	32-5/16	3-7/8	7/8	6-9/16	24-11/16	9-1/8	2-15/16	5/8	15-3/4	16-1/4	13-3/4	31-1/2 x 31-1/2	35-15/16x35-1/2x32-3/8
N4A348GHB N4A348GLB N4A348GSB	31-3/16	35-3/4	3-7/8	7/8	6-9/16	24-11/16	9-1/8	2-15/16	5/8	14-3/4	15-3/8	15	31-1/2 x 31-1/2	39-3/8x35-1/2x32-3/8
N4A360GHC N4A360GLC N4A360GSC	31-3/16	28-15/16	3-7/8	7/8	6-9/16	24-11/16	9-1/8	2-15/16	5/8	16	15-1/2	12-3/4	31-1/2 x 31-1/2	32-9/16x35-1/2x32-3/8



CENTER OF GRAVITY



Dimensions mm (SI Metric)

Model	Dimensions mm (SI Metric)												Minimum Mounting Pad Size	Crated Dimensions H x W x D
	A	B	C	D	E	F	G	K	L	M	N	P		
N4A330GHC	587	729	95	19	113	459	198	71	13	419	381	356	597 x 597	851 x 695 x 616
N4A336GHB N4A336GLB N4A336GSB	654	808	98	22	167	540	232	75	16	362	267	406	660 x 660	913 x 764 x 683
N4A342GHA N4A342GLA	792	821	98	22	167	627	232	75	16	400	413	349	800 x 800	913 x 902 x 822
N4A348GHB N4A348GLB N4A348GSB	792	908	98	22	167	627	232	75	16	375	391	381	800 x 800	1000 x 902 x 822
N4A360GHC N4A360GLC N4A360GSC	792	735	98	22	167	627	232	75	16	406	394	324	800 x 800	827 x 902 x 822

PHYSICAL DATA					
Model Size	30	36	42	48	60
Nominal Cooling Capacity (BTU/hr)	30,000	36,000	42,000	48,000	60,000
Nominal SEER	13.0	13.0	13.0	13.0	13.0
Sound Rating (dBA) **	74	75	78	80	79
PSC Fan Motor HP	1/10	1/4	1/5	1/4	1/4
Fan RPM (single speed)	1100	1100	1100	1100	1100
Fan CFM	2218	2954	3167	3365	3365
Coil Face Area ft <sup>2</sup> (m <sup>2</sup> )	9.80 (0.91)	13.13 (1.22)	17.25 (1.60)	19.40 (1.80)	15.09 (1.40)
Coil Rows – fins per inch	1 – 25	1 – 25	1 – 25	1 – 25	2 – 20
Liquid Line Connection Size in. (mm)	3/8 (10)	3/8 (10)	3/8 (10)	3/8 (10)	3/8 (10)
Vapor Line Connection Size in. (mm)	3/4 (19)	7/8 (22)	7/8 (22)	7/8 (22)	7/8 (22)
Recommended Line Set Liquid Tube Diameter in. (mm)	3/8 (10) *	3/8 (10) *	3/8 (10) *	3/8 (10) *	3/8 (10) *
Recommended Line Set Vapor Tube Diameter in. (mm)	3/4 (19) *	7/8 (22) *	7/8 (22) *	7/8 (22) *	1 1/8 (29)*
*Recommended Vapor Tube Line size is for standard installations. These recommendations may not apply to “Long Line” installations. When the total equivalent line length exceeds 80 feet (24.4m) or there is more than 20 feet (6.1m) vertical separation between indoor and outdoor units, consult the Long Line Application Guideline document before purchasing/installing line sets.					
Factory Charge, R-410A lbs. (kg)	4.10 (1.86)	5.34 (2.42)	5.84 (2.65)	7.00(3.18)	8.00 (3.63)
Required Subcooling °F (°C)	10 (6)	14 (8)	10 (6)	15 (8)	10 (6)
Weight, shipping lbs. (kg)	136 (62)	170 (77)	208 (94)	216 (98)	224 (102)
Weight, operating lbs. (kg)	111 (50)	141 (64)	180 (82)	179 (81)	192 (87)

ELECTRICAL DATA												
Model Size	30GH	36GH	36GL	36GS	42GH	42GL	48GH	48GL	48GS	60GH	60GL	60GS
Supply Voltage, 3-phase 60 Hz.	208/230	208/230	460	575	208/230	460	208/230	460	575	208/230	460	575
Acceptable Voltage Range, min-max	197-253	197-253	414-506	518-632	197-253	414-506	197-253	414-506	518-632	197-253	414-506	518-632
Minimum Circuit Ampacity <b>MCA</b> (amps)	11.2	14.5	7.7	5.3	18.0	8.1	17.8	8.3	6.0	21.4	10.5	7.6
Maximum OverCurrent Protective device <b>MOCP</b> (amps)	20	20	15	15	30	15	30	15	15	30	15	15
Compressor <b>RLA</b> (Rated Load Amps) <b>LRA</b> (Locked Rotor Amps)	8.3 58.0	10.5 71.0	5.6 38.0	3.8 36.5	13.5 88.0	6.0 44.0	13.1 83.1	6.1 41.0	4.4 33.0	16.0 110.0	7.8 52.0	5.7 38.9
Fan Motor <b>FLA</b> (Full Load Amps)	.77	1.4	0.7	0.5	1.1	0.6	1.4	0.7	0.5	1.4	0.7	0.5

\*\*Sound Rating tested in accordance with ARI Standard 270-95 (not listed with ARI).

**R-410A COOLING CAPACITY LOSS FOR VARIOUS LINE LENGTHS & TUBE DIAMETERS**

Model Size	Liquid Line in.(mm)	Acceptable Vapor Line Sizes in. (mm)	Cooling Capacity Loss (%) at Total Equivalent Line Length, feet (m) Refer to Long Line Application Guideline to calculate equivalent length										
			Standard Application			Long Line Application (Requires Accessories)							
			25' (7.6)	50' (15.2)	80' (24.4)	81' (24.7)	100' (30.5)	125' (38.1)	150' (45.7)	175' (53.3)	200' (61)	225' (68.6)	250' (76.2)
30	3/8 (10)	5/8 (16)	1	2	3	3	3	4	5	6	7	8	9
		3/4 (19)	0	0	1	1	1	1	2	2	2	3	3
		7/8 (22)	0	0	0	0	0	1	1	1	1	1	1
36		5/8 (16)	1	2	4	4	5	6	7	9	10	11	13
		3/4 (19)	0	0	1	1	1	2	2	3	3	4	4
		7/8 (22)	0	0	0	0	0	1	1	1	1	2	2
42		3/4 (19)	0	1	2	2	2	3	4	4	5	6	6
		7/8 (22)	0	0	1	1	1	1	2	2	2	3	3
48		3/4 (19)	0	1	2	2	3	4	5	5	6	7	8
	7/8 (22)	0	0	1	1	1	2	2	2	3	3	4	
60	3/4 (19)	1	2	4	4	5	6	7	9	10	11	12	
	7/8 (22)	0	1	2	2	2	3	4	4	5	5	6	
	1-1/8 (29)	0	0	0	0	1	1	1	1	1	1	2	

\* Applications are considered “Long Line” if the total equivalent tubing length exceeds 80 feet (24.4m) or there is more than 20 foot (6.1m) vertical separation between indoor and outdoor units. These applications require additional accessories and system modifications for reliable system operation.

Applications in shaded area may have height restrictions that limit allowable total equivalent length when outdoor unit is below indoor unit.

**COOLING PERFORMANCE FOR COMBINATION RATINGS Indoor Models**

For complete ratings information, use the AHRI website directory search: [www.AHRIdirectory.org](http://www.AHRIdirectory.org).  
New ratings may be listed online before Specification Sheets are updated.

Outdoor Model	Current Indoor Model († tested combo)	Furnace Model	Factory Installed	Cooling 95° F (35° C)			SEER		
				BTU/hr	S/T	EER	factory	w/ field TDR	w/ field TXV
N4A330GHC	†ED*4X30B**	†	TXV	27,200	0.76	10.80		13.00	
	ED*4X30B**	*8MPV050	TDR&TXV	27,200	0.76	11.00	13.00		
	ED*4X30B**	*8MV*0701412**	TDR&TXV	27,200	0.76	11.70	14.00		
	ED*4X30B**	MV08B15**B*	TDR&TXV	27,200	0.76	12.00	14.00		
	ED*4X30F**	*8MPV075	TDR&TXV	27,200	0.76	11.70	14.00		
	ED*4X30F**	*8MV*0901716**	TDR&TXV	27,400	0.76	12.00	14.00		
	ED*4X30F**	*8MX*0701716**	TDR&TXV	27,400	0.76	11.70	14.00		
	ED*4X30F**	*9MPV050	TDR&TXV	27,200	0.76	11.20	13.50		
	ED*4X30F**	*9MPV075	TDR&TXV	27,200	0.76	11.20	13.50		
	ED*4X30F**	*9MVX040	TDR&TXV	27,400	0.76	11.20	13.50		
	ED*4X30F**	*9MVX060	TDR&TXV	27,600	0.76	11.20	13.50		
	ED*4X30F**	MV12F19**B*	TDR&TXV	27,200	0.76	12.20	14.50		
	ED*4X30F**	OLV098A12A	TDR&TXV	27,400	0.76	11.50	14.00		
	ED*4X30F**	OLV112A16A	TDR&TXV	27,600	0.76	11.50	14.00		
	ED*4X30F**	OMV098J12A	TDR&TXV	27,400	0.76	11.00	13.50		
	ED*4X30F**	OMV112K14A	TDR&TXV	27,600	0.76	11.70	14.00		
	ED*4X30F**	†	TXV	27,200	0.76	10.80		13.00	
	ED*4X36B**	*8MPV050	TDR&TXV	27,200	0.76	11.00	13.00		
	ED*4X36B**	*8MV*0701412**	TDR&TXV	27,400	0.76	11.70	14.00		
	ED*4X36B**	MV08B15**B*	TDR&TXV	27,200	0.76	12.00	14.00		
	ED*4X36B**	†	TXV	27,200	0.76	10.80		13.00	
	ED*4X36F**	*8MPV075	TDR&TXV	27,200	0.76	11.70	14.00		
	ED*4X36F**	*8MV*0901716**	TDR&TXV	27,400	0.76	12.00	14.50		
	ED*4X36F**	*8MX*0701716**	TDR&TXV	27,600	0.76	11.70	14.00		
	ED*4X36F**	*9MPV050	TDR&TXV	27,200	0.76	11.20	13.50		
	ED*4X36F**	*9MPV075	TDR&TXV	27,200	0.76	11.50	13.50		
	ED*4X36F**	*9MVX040	TDR&TXV	27,400	0.76	11.20	13.50		
	ED*4X36F**	*9MVX060	TDR&TXV	27,600	0.76	11.50	13.50		
	ED*4X36F**	MV12F19**B*	TDR&TXV	27,200	0.76	12.20	14.50		
	ED*4X36F**	OLV098A12A	TDR&TXV	27,400	0.76	11.50	14.00		
	ED*4X36F**	OLV112A16A	TDR&TXV	27,600	0.76	11.50	14.00		
	ED*4X36F**	OMV098J12A	TDR&TXV	27,400	0.76	11.50	13.50		
	ED*4X36F**	OMV112K14A	TDR&TXV	27,600	0.76	11.70	14.00		
	ED*4X36F**	†	TXV	27,200	0.76	10.80		13.00	
	ED*4X36J**	*8MPV100	TDR&TXV	27,200	0.76	12.00	14.00		
	ED*4X36J**	*8MPV125	TDR&TXV	27,200	0.76	12.00	14.00		
	ED*4X36J**	*8MV*1102120**	TDR&TXV	27,600	0.76	12.00	14.50		
	ED*4X36J**	*8MX*0902116**	TDR&TXV	27,800	0.76	12.00	14.00		
	ED*4X36J**	*9MPV100	TDR&TXV	27,200	0.76	11.70	14.00		
	ED*4X36J**	*9MVX080	TDR&TXV	28,000	0.76	11.70	14.00		
	ED*4X36J**	OLV112A16A	TDR&TXV	27,800	0.76	11.70	14.00		
	ED*4X36J**	†	TXV	27,200	0.76	10.80		13.00	
ED*4X42J**	*9MVX080	TDR&TXV	27,800	0.76	12.00	14.50			
EHD4X30A**	*8MPV050	TDR&TXV	27,200	0.76	11.00	13.00			
EHD4X30A**	*8MPV075	TDR&TXV	27,200	0.76	11.50	14.00			
EHD4X30A**	*8MPV100	TDR&TXV	27,200	0.76	11.70	14.00			
EHD4X30A**	*8MPV125	TDR&TXV	27,200	0.76	11.70	14.00			
EHD4X30A**	*9MPV050	TDR&TXV	27,200	0.76	11.20	13.50			
EHD4X30A**	*9MPV075	TDR&TXV	27,200	0.76	11.20	13.50			
EHD4X30A**	*9MPV100	TDR&TXV	27,200	0.76	11.70	14.00			
EHD4X30A**	*9MPV125	TDR&TXV	27,200	0.76	11.70	14.00			
EHD4X30A**	*9MVX040	TDR&TXV	27,400	0.76	11.20	13.50			

2010 ENERGY STAR compliance for combinations with both: SEER 14.00 or higher and EER 12.00 or higher.

† For coils not listed with a matching furnace or blower, coil rating applies with any indoor blower device.

- continued on next page -

**COOLING PERFORMANCE FOR COMBINATION RATINGS (continued) Indoor Models**

For complete ratings information, use the AHRI website directory search: [www.AHRIdirectory.org](http://www.AHRIdirectory.org).  
New ratings may be listed online before Specification Sheets are updated.

Outdoor Model	Current Indoor Model († tested combo)	Furnace Model	Factory Installed	Cooling 95° F (35° C)			SEER		
				BTU/hr	S/T	EER	factory	w/ field TDR	w/ field TXV
N4A330GHC (continued)	EHD4X30A**	*9MVX060	TDR&TXV	27,600	0.76	11.20	13.50		
	EHD4X30A**	*9MVX080	TDR&TXV	27,800	0.76	11.70	14.00		
	EHD4X30A**	*9MVX100	TDR&TXV	27,600	0.76	11.70	14.00		
	EHD4X30A**	MV08B15**B*	TDR&TXV	27,200	0.76	12.00	14.00		
	EHD4X30A**	MV12F19**B*	TDR&TXV	27,200	0.76	12.00	14.50		
	EHD4X30A**	OLV098A12A	TDR&TXV	27,400	0.76	11.00	13.50		
	EHD4X30A**	OLV112A16A	TDR&TXV	27,800	0.76	11.50	13.50		
	EHD4X30A**	OMV098J12A	TDR&TXV	27,600	0.76	11.00	13.50		
	EHD4X30A**	OMV112K14A	TDR&TXV	27,600	0.76	11.50	14.00		
	EHD4X30A**	†	TXV	27,200	0.76	10.80		13.00	
	EHD4X36A**	*8MPV050	TDR&TXV	27,200	0.76	11.00	13.00		
	EHD4X36A**	*8MPV075	TDR&TXV	27,200	0.76	11.70	14.00		
	EHD4X36A**	*8MPV100	TDR&TXV	27,200	0.76	12.00	14.00		
	EHD4X36A**	*8MPV125	TDR&TXV	27,200	0.76	12.00	14.00		
	EHD4X36A**	*9MPV050	TDR&TXV	27,200	0.76	11.50	13.50		
	EHD4X36A**	*9MPV075	TDR&TXV	27,200	0.76	11.50	13.50		
	EHD4X36A**	*9MPV100	TDR&TXV	27,200	0.76	11.70	14.00		
	EHD4X36A**	*9MPV125	TDR&TXV	27,200	0.76	12.00	14.00		
	EHD4X36A**	*9MVX040	TDR&TXV	27,400	0.76	11.20	13.50		
	EHD4X36A**	*9MVX060	TDR&TXV	27,600	0.76	11.50	13.50		
	EHD4X36A**	*9MVX080	TDR&TXV	28,000	0.76	11.70	14.00		
	EHD4X36A**	*9MVX100	TDR&TXV	28,200	0.76	12.00	14.00		
	EHD4X36A**	MV08B15**B*	TDR&TXV	27,200	0.76	12.00	14.00		
	EHD4X36A**	MV12F19**B*	TDR&TXV	27,200	0.76	12.20	14.50		
	EHD4X36A**	OLV098A12A	TDR&TXV	28,000	0.76	11.70	14.00		
	EHD4X36A**	OLV112A16A	TDR&TXV	28,200	0.76	11.70	14.00		
	EHD4X36A**	OMV098J12A	TDR&TXV	28,000	0.76	11.50	14.00		
	EHD4X36A**	OMV112K14A	TDR&TXV	28,000	0.76	12.00	14.50		
	EHD4X36A**	†	TXV	27,200	0.76	10.80		13.00	
	EHD4X42A**	*9MVX080	TDR&TXV	27,800	0.76	12.00	14.50		
	EMA4X36D**	†	TXV	27,200	0.76	10.80		13.00	
	EN(A,D)4X30*14**	*8MV*0701412**	TDR&TXV	27,200	0.76	11.70	14.00		
	EN(A,D)4X30*17**	*8MV*0901716**	TDR&TXV	27,400	0.76	11.70	14.00		
	EN(A,D)4X30*17**	*8MX*0701716**	TDR&TXV	27,400	0.76	11.50	14.00		
	EN(A,D)4X30*17**	*9MPV050	TDR&TXV	27,400	0.76	11.00	13.50		
	EN(A,D)4X30*17**	*9MPV075	TDR&TXV	27,400	0.76	11.00	13.50		
	EN(A,D)4X30*17**	*9MVX040	TDR&TXV	27,400	0.76	11.00	13.50		
	EN(A,D)4X30*17**	*9MVX060	TDR&TXV	27,600	0.76	11.00	13.50		
	EN(A,D)4X30*17**	OLV098A12A	TDR&TXV	27,400	0.76	11.50	13.50		
	EN(A,D)4X30*17**	OMV098J12A	TDR&TXV	27,400	0.76	11.00	13.50		
	EN(A,D)4X30*17**	OMV112K14A	TDR&TXV	27,600	0.76	11.70	14.00		
	EN(A,D)4X31*17**	*8MPV050	TDR&TXV	27,800	0.76	11.20	13.50		
	EN(A,D)4X31*17**	*8MPV075	TDR&TXV	28,000	0.76	11.70	14.00		
	EN(A,D)4X31*17**	*8MV*0701412**	TDR&TXV	27,800	0.76	12.00	14.00		
	EN(A,D)4X31*17**	*8MV*0901716**	TDR&TXV	27,800	0.76	12.00	14.50		
	EN(A,D)4X31*17**	*8MX*0701716**	TDR&TXV	27,800	0.76	11.50	14.00		
	EN(A,D)4X31*17**	*9MPV050	TDR&TXV	28,000	0.76	11.50	13.50		
	EN(A,D)4X31*17**	*9MPV075	TDR&TXV	28,000	0.76	11.50	13.50		
	EN(A,D)4X31*17**	*9MVX040	TDR&TXV	28,000	0.76	11.50	13.50		
	EN(A,D)4X31*17**	*9MVX060	TDR&TXV	28,200	0.76	11.50	14.00		
EN(A,D)4X31*17**	OLV098A12A	TDR&TXV	28,000	0.76	11.70	14.00			
EN(A,D)4X31*17**	OMV098J12A	TDR&TXV	28,000	0.76	11.50	14.00			
EN(A,D)4X31*17**	OMV112K14A	TDR&TXV	28,200	0.76	12.00	14.50			
EN(A,D)4X31*17**	†	TXV	27,800	0.76	11.00		13.00		
EN(A,D)4X36*21**	*8MV*1102120**	TDR&TXV	27,400	0.76	11.70	14.00			
EN(A,D)4X36*21**	*8MX*0902116**	TDR&TXV	27,600	0.76	11.70	14.00			
EN(A,D)4X36*21**	*9MPV050	TDR&TXV	27,400	0.76	11.00	13.50			
EN(A,D)4X36*21**	*9MPV075	TDR&TXV	27,400	0.76	11.00	13.50			
EN(A,D)4X36*21**	*9MPV100	TDR&TXV	27,600	0.76	11.50	14.00			
EN(A,D)4X36*21**	*9MVX040	TDR&TXV	27,400	0.76	11.00	13.50			

2010 ENERGY STAR compliance for combinations with both: SEER 14.00 or higher and EER 12.00 or higher.

† For coils not listed with a matching furnace or blower, coil rating applies with any indoor blower device.

- continued on next page -



**COOLING PERFORMANCE FOR COMBINATION RATINGS (continued) Indoor Models**

For complete ratings information, use the AHRI website directory search: [www.AHRIdirectory.org](http://www.AHRIdirectory.org).  
New ratings may be listed online before Specification Sheets are updated.

Outdoor Model	Current Indoor Model (‡ tested combo)	Furnace Model	Factory Installed	Cooling 95° F (35° C)			SEER		
				BTU/hr	S/T	EER	factory	w/ field TDR	w/ field TXV
N4A330GHC (continued)	EN(A,D)4X36*21**	*9MVX060	TDR&TXV	27,600	0.76	11.00	13.50		
	EN(A,D)4X36*21**	*9MVX080	TDR&TXV	27,800	0.76	11.50	14.00		
	EN(A,D)4X36*21**	OLV098A12A	TDR&TXV	27,400	0.76	11.50	13.50		
	EN(A,D)4X36*21**	OLV112A16A	TDR&TXV	27,600	0.76	11.50	14.00		
	EN(A,D)4X36*21**	OMV098J12A	TDR&TXV	27,400	0.76	11.00	13.50		
	EN(A,D)4X36*21**	OMV112K14A	TDR&TXV	27,600	0.76	11.70	14.00		
	EN(A,D)4X37*17**	*8MPV050	TDR&TXV	27,800	0.76	11.50	13.50		
	EN(A,D)4X37*17**	*8MPV075	TDR&TXV	27,800	0.76	12.00	14.00		
	EN(A,D)4X37*17**	*8MV*0701412**	TDR&TXV	27,800	0.76	12.00	14.50		
	EN(A,D)4X37*17**	*8MV*0901716**	TDR&TXV	27,800	0.76	12.00	14.50		
	EN(A,D)4X37*17**	*8MX*0701716**	TDR&TXV	27,800	0.76	12.00	14.00		
	EN(A,D)4X37*17**	*9MPV050	TDR&TXV	28,400	0.76	11.50	14.00		
	EN(A,D)4X37*17**	*9MPV075	TDR&TXV	28,400	0.76	11.70	14.00		
	EN(A,D)4X37*17**	*9MVX040	TDR&TXV	28,400	0.76	11.50	14.00		
	EN(A,D)4X37*17**	*9MVX060	TDR&TXV	28,600	0.76	11.70	14.00		
	EN(A,D)4X37*17**	OLV098A12A	TDR&TXV	28,200	0.76	11.70	14.00		
	EN(A,D)4X37*17**	OMV098J12A	TDR&TXV	28,200	0.76	11.70	14.00		
	EN(A,D)4X37*17**	OMV112K14A	TDR&TXV	28,400	0.76	12.00	14.50		
	EN(A,D)4X37*17**	†	TXV	28,000	0.76	11.00		13.00	
	EN(A,D,W)4X36*17**	*8MV*0901716**	TDR&TXV	27,400	0.76	11.70	14.00		
	EN(A,D,W)4X36*17**	*8MX*0701716**	TDR&TXV	27,400	0.76	11.50	14.00		
	EN(A,D,W)4X36*17**	*9MPV050	TDR&TXV	27,400	0.76	11.00	13.50		
	EN(A,D,W)4X36*17**	*9MPV075	TDR&TXV	27,400	0.76	11.00	13.50		
	EN(A,D,W)4X36*17**	*9MVX040	TDR&TXV	27,400	0.76	11.00	13.50		
	EN(A,D,W)4X36*17**	*9MVX060	TDR&TXV	27,600	0.76	11.00	13.50		
	EN(A,D,W)4X36*17**	OLV098A12A	TDR&TXV	27,400	0.76	11.50	13.50		
	EN(A,D,W)4X36*17**	OMV098J12A	TDR&TXV	27,400	0.76	11.00	13.50		
	EN(A,D,W)4X36*17**	OMV112K14A	TDR&TXV	27,600	0.76	11.70	14.00		
	EN(A,D,W)4X48*21**	*8MX*0902116**	TDR&TXV	28,400	0.76	12.20	14.50		
	END4X42*17**	*8MV*0901716**	TDR&TXV	27,800	0.76	12.20	14.50		
	ENH4X30*17**	*8MV*0701412**	TDR&TXV	27,200	0.76	11.70	14.00		
	ENH4X30*17**	*8MV*0901716**	TDR&TXV	27,400	0.76	11.70	14.00		
	ENH4X30*17**	*8MV*1102120**	TDR&TXV	27,400	0.76	11.70	14.00		
	ENH4X30*17**	*8MV*1352422**	TDR&TXV	27,400	0.76	12.00	14.00		
	ENH4X30*17**	*8MX*0701716**	TDR&TXV	27,400	0.76	11.50	14.00		
	ENH4X30*17**	*8MX*0902116**	TDR&TXV	27,600	0.76	11.70	14.00		
	ENH4X30*17**	*9MPV050	TDR&TXV	27,400	0.76	11.00	13.50		
	ENH4X30*17**	*9MPV075	TDR&TXV	27,400	0.76	11.00	13.50		
	ENH4X30*17**	*9MPV100	TDR&TXV	27,600	0.76	11.50	14.00		
	ENH4X30*17**	*9MPV125	TDR&TXV	27,600	0.76	11.70	14.00		
	ENH4X30*17**	*9MVX040	TDR&TXV	27,400	0.76	11.00	13.50		
	ENH4X30*17**	*9MVX060	TDR&TXV	27,600	0.76	11.00	13.50		
	ENH4X30*17**	*9MVX080	TDR&TXV	27,800	0.76	11.50	14.00		
	ENH4X30*17**	*9MVX100	TDR&TXV	27,600	0.76	11.70	14.00		
	ENH4X30*17**	OLV098A12A	TDR&TXV	27,400	0.76	11.50	13.50		
	ENH4X30*17**	OLV112A16A	TDR&TXV	27,600	0.76	11.50	13.50		
	ENH4X30*17**	OMV098J12A	TDR&TXV	27,400	0.76	11.00	13.50		
	ENH4X30*17**	OMV112K14A	TDR&TXV	27,600	0.76	11.70	14.00		
	ENH4X31*17**	*8MPV050	TDR&TXV	27,800	0.76	11.20	13.50		
	ENH4X31*17**	*8MPV075	TDR&TXV	27,800	0.76	11.70	14.00		
ENH4X31*17**	*8MPV100	TDR&TXV	27,800	0.76	12.00	14.50			
ENH4X31*17**	*8MPV125	TDR&TXV	27,800	0.76	12.00	14.50			
ENH4X31*17**	*8MV*0701412**	TDR&TXV	27,800	0.76	12.00	14.00			
ENH4X31*17**	*8MV*0901716**	TDR&TXV	27,800	0.76	12.00	14.50			
ENH4X31*17**	*8MV*1102120**	TDR&TXV	27,800	0.76	12.00	14.50			
ENH4X31*17**	*8MV*1352422**	TDR&TXV	27,800	0.76	12.00	14.50			
ENH4X31*17**	*8MX*0701716**	TDR&TXV	27,800	0.76	11.50	14.00			
ENH4X31*17**	*8MX*0902116**	TDR&TXV	27,800	0.76	12.00	14.00			
ENH4X31*17**	*9MPV050	TDR&TXV	28,000	0.76	11.50	13.50			
ENH4X31*17**	*9MPV075	TDR&TXV	28,000	0.76	11.50	13.50			

2010 ENERGY STAR compliance for combinations with both: SEER 14.00 or higher and EER 12.00 or higher.

† For coils not listed with a matching furnace or blower, coil rating applies with any indoor blower device.

- continued on next page -

**COOLING PERFORMANCE FOR COMBINATION RATINGS (continued) Indoor Models**

For complete ratings information, use the AHRI website directory search: [www.AHRIdirectory.org](http://www.AHRIdirectory.org).  
New ratings may be listed online before Specification Sheets are updated.

Outdoor Model	Current Indoor Model († tested combo)	Furnace Model	Factory Installed	Cooling 95° F (35° C)			SEER		
				BTU/hr	S/T	EER	factory	w/ field TDR	w/ field TXV
N4A330GHC (continued)	ENH4X31*17**	*9MPV100	TDR&TXV	28,400	0.76	12.00	14.00		
	ENH4X31*17**	*9MPV125	TDR&TXV	28,400	0.76	12.00	14.50		
	ENH4X31*17**	*9MVX040	TDR&TXV	28,000	0.76	11.50	13.50		
	ENH4X31*17**	*9MVX060	TDR&TXV	28,200	0.76	11.50	14.00		
	ENH4X31*17**	*9MVX080	TDR&TXV	28,400	0.76	12.00	14.00		
	ENH4X31*17**	*9MVX100	TDR&TXV	28,200	0.76	12.00	14.50		
	ENH4X31*17**	OLV098A12A	TDR&TXV	28,000	0.76	11.70	14.00		
	ENH4X31*17**	OLV112A16A	TDR&TXV	28,200	0.76	12.00	14.00		
	ENH4X31*17**	OMV098J12A	TDR&TXV	28,000	0.76	11.50	14.00		
	ENH4X31*17**	OMV112K14A	TDR&TXV	28,200	0.76	12.00	14.50		
	ENH4X31*17**	†	TXV	27,800	0.76	11.00		13.00	
	ENH4X36*17**	*8MV*0701412**	TDR&TXV	27,400	0.76	11.70	14.00		
	ENH4X36*17**	*8MV*0901716**	TDR&TXV	27,400	0.76	11.70	14.00		
	ENH4X36*17**	*8MV*1102120**	TDR&TXV	27,400	0.76	11.70	14.00		
	ENH4X36*17**	*8MV*1352422**	TDR&TXV	27,400	0.76	12.00	14.00		
	ENH4X36*17**	*8MX*0701716**	TDR&TXV	27,400	0.76	11.50	14.00		
	ENH4X36*17**	*8MX*0902116**	TDR&TXV	27,600	0.76	11.70	14.00		
	ENH4X36*17**	*9MPV050	TDR&TXV	27,400	0.76	11.00	13.50		
	ENH4X36*17**	*9MPV075	TDR&TXV	27,400	0.76	11.00	13.50		
	ENH4X36*17**	*9MPV100	TDR&TXV	27,600	0.76	11.50	14.00		
	ENH4X36*17**	*9MPV125	TDR&TXV	27,600	0.76	11.70	14.00		
	ENH4X36*17**	*9MVX040	TDR&TXV	27,400	0.76	11.00	13.50		
	ENH4X36*17**	*9MVX060	TDR&TXV	27,600	0.76	11.00	13.50		
	ENH4X36*17**	*9MVX080	TDR&TXV	27,800	0.76	11.50	14.00		
	ENH4X36*17**	*9MVX100	TDR&TXV	27,600	0.76	11.70	14.00		
	ENH4X36*17**	OLV098A12A	TDR&TXV	27,400	0.76	11.50	13.50		
	ENH4X36*17**	OLV112A16A	TDR&TXV	27,600	0.76	11.50	13.50		
	ENH4X36*17**	OMV098J12A	TDR&TXV	27,400	0.76	11.00	13.50		
	ENH4X36*17**	OMV112K14A	TDR&TXV	27,600	0.76	11.70	14.00		
	FEA4X30**A*	—	TDR&TXV	27,600	0.76	11.70	13.50		
	FEA4X36**A*	—	TDR&TXV	27,800	0.76	11.50	13.50		
	FEM4P30**A*	—	TDR	27,400	0.76	11.00	13.50		
	FEM4P30**A*+TXV	—	TDR	27,400	0.76	11.50			14.00
	FEM4P36**A*	—	TDR	27,400	0.76	11.00	13.50		
	FEM4P36**A*+TXV	—	TDR	27,400	0.76	11.50			14.00
	FEM4X30****	—	TDR&TXV	27,200	0.76	11.50	14.00		
	FEM4X36****	—	TDR&TXV	27,200	0.76	11.50	14.00		
	FS(M,U)4P30**A*	—	TDR	27,600	0.76	11.00	13.00		
	FS(M,U)4P30**A*+TXV	—	TDR	27,600	0.76	11.00			13.50
	FS(M,U)4P36**A*	—	TDR	27,600	0.76	11.00	13.00		
	FS(M,U)4P36**A*+TXV	—	TDR	27,600	0.76	11.00			13.50
	FS(M,U)4X30****	—	TDR&TXV	27,000	0.76	10.80	13.00		
	FSA4X36**A*	—	TDR&TXV	27,200	0.76	10.80	13.00		
	FSM4X36****	—	TDR&TXV	27,200	0.76	10.80	13.00		
	FVM4X24****	—	TDR&TXV	26,800	0.76	11.70	13.50		
FVM4X36****	—	TDR&TXV	27,200	0.76	12.20	14.50			
FVM4X48****	—	TDR&TXV	27,200	0.76	12.20	14.50			
FXM4X30**A*	—	TDR&TXV	27,800	0.76	11.50	14.00			
FXM4X36**A*	—	TDR&TXV	28,000	0.76	12.00	14.50			
FXM4X42**A*	—	TDR&TXV	28,200	0.76	11.00	13.50			
N4A336GHB N4A336GLB N4A336GSB	†ED*4X36F**	†	TXV	33,800	0.77	10.90		13.00	
	ED*4X36B**	*8MV*0701412**	TDR&TXV	32,400	0.77	11.50	13.50		
	ED*4X36B**	MV08B15**B*	TDR&TXV	32,800	0.77	11.70	14.00		
	ED*4X36B**	†	TXV	32,600	0.77	11.00		13.00	
	ED*4X36F**	*8MPV075	TDR&TXV	33,600	0.77	11.50	13.50		
	ED*4X36F**	*8MV*0901716**	TDR&TXV	33,400	0.77	11.70	14.00		
	ED*4X36F**	*8MX*0701716**	TDR&TXV	33,400	0.77	11.20	13.50		
	ED*4X36F**	*9MPV050	TDR&TXV	33,200	0.77	11.00	13.20		
	ED*4X36F**	*9MPV075	TDR&TXV	33,400	0.77	11.20	13.20		
	ED*4X36F**	*9MVX040	TDR&TXV	33,200	0.77	11.00	13.20		
	ED*4X36F**	*9MVX060	TDR&TXV	33,600	0.77	11.20	13.50		

2010 ENERGY STAR compliance for combinations with both: SEER 14.00 or higher and EER 12.00 or higher.

† For coils not listed with a matching furnace or blower, coil rating applies with any indoor blower device.

- continued on next page -

**COOLING PERFORMANCE FOR COMBINATION RATINGS (continued) Indoor Models**

For complete ratings information, use the AHRI website directory search: [www.AHRIdirectory.org](http://www.AHRIdirectory.org).  
New ratings may be listed online before Specification Sheets are updated.

Outdoor Model	Current Indoor Model († tested combo)	Furnace Model	Factory Installed	Cooling 95° F (35° C)			SEER		
				BTU/hr	S/T	EER	factory	w/ field TDR	w/ field TXV
N4A336GHB N4A336GLB N4A336GSB (continued)	ED*4X36F**	MV12F19**B*	TDR&TXV	33,600	0.77	12.00	14.00		
	ED*4X36F**	OLV098A12A	TDR&TXV	33,200	0.77	11.00	13.20		
	ED*4X36F**	OLV112A16A	TDR&TXV	33,600	0.77	11.00	13.50		
	ED*4X36F**	OMV098J12A	TDR&TXV	33,200	0.77	11.00	13.20		
	ED*4X36F**	OMV112K14A	TDR&TXV	33,400	0.77	11.50	13.50		
	ED*4X36J**	*8MPV100	TDR&TXV	34,200	0.77	11.70	14.00		
	ED*4X36J**	*8MPV125	TDR&TXV	34,200	0.77	11.70	14.00		
	ED*4X36J**	*8MV*1102120**	TDR&TXV	33,400	0.77	11.70	14.00		
	ED*4X36J**	*8MX*0902116**	TDR&TXV	33,800	0.77	12.00	14.00		
	ED*4X36J**	*8MX*1102120**	TDR&TXV	34,000	0.77	12.00	14.00		
	ED*4X36J**	*9MPV100	TDR&TXV	34,000	0.77	11.50	13.50		
	ED*4X36J**	*9MVX080	TDR&TXV	34,000	0.77	11.70	13.50		
	ED*4X36J**	MV16J22**B*	TDR&TXV	33,800	0.77	12.00	14.00		
	ED*4X36J**	OLV112A16A	TDR&TXV	33,600	0.77	11.50	13.50		
	ED*4X36J**	†	TXV	33,800	0.77	10.90		13.00	
	ED*4X42F**	*8MPV075	TDR&TXV	34,000	0.77	11.50	13.50		
	ED*4X42F**	*9MPV050	TDR&TXV	33,600	0.77	11.20	13.20		
	ED*4X42F**	*9MPV075	TDR&TXV	33,600	0.77	11.20	13.50		
	ED*4X42F**	*9MVX040	TDR&TXV	33,400	0.77	11.20	13.20		
	ED*4X42F**	*9MVX060	TDR&TXV	33,800	0.77	11.20	13.50		
	ED*4X42F**	MV12F19**B*	TDR&TXV	34,000	0.77	12.00	14.00		
	ED*4X42F**	OLV098A12A	TDR&TXV	33,400	0.77	11.00	13.20		
	ED*4X42F**	OLV112A16A	TDR&TXV	33,800	0.77	11.50	13.50		
	ED*4X42F**	OMV098J12A	TDR&TXV	33,600	0.77	11.00	13.20		
	ED*4X42F**	OMV112K14A	TDR&TXV	33,600	0.77	11.50	13.50		
	ED*4X42F**	†	TXV	33,800	0.77	11.00		13.00	
	ED*4X42J**	*8MPV100	TDR&TXV	34,400	0.77	11.70	14.00		
	ED*4X42J**	*8MPV125	TDR&TXV	34,400	0.77	12.00	14.00		
	ED*4X42J**	*8MV*1102120**	TDR&TXV	33,600	0.77	12.00	14.00		
	ED*4X42J**	*8MX*0902116**	TDR&TXV	34,000	0.77	12.00	14.00		
	ED*4X42J**	*8MX*1102120**	TDR&TXV	34,200	0.77	12.00	14.00		
	ED*4X42J**	*9MPV100	TDR&TXV	34,200	0.77	11.70	13.50		
	ED*4X42J**	*9MVX080	TDR&TXV	34,400	0.77	11.70	14.00		
	ED*4X42J**	MV16J22**B*	TDR&TXV	34,000	0.77	12.00	14.00		
	ED*4X42J**	OLV112A16A	TDR&TXV	33,800	0.77	11.50	13.50		
	ED*4X42J**	†	TXV	34,000	0.77	11.00		13.00	
	ED*4X42L**	*8MV*1352422**	TDR&TXV	33,600	0.77	12.00	14.00		
	ED*4X42L**	*9MPV125	TDR&TXV	34,400	0.77	11.70	14.00		
	ED*4X42L**	*9MVX100	TDR&TXV	34,200	0.77	12.00	14.00		
	ED*4X42L**	MV20L24**B*	TDR&TXV	34,000	0.77	12.00	14.00		
	ED*4X42L**	OLV112A16A	TDR&TXV	33,800	0.77	11.50	13.50		
	ED*4X42L**	OLV154F20A	TDR&TXV	34,600	0.77	11.70	14.00		
	ED*4X42L**	†	TXV	34,000	0.77	11.00		13.00	
	ED*4X48F**	*8MX*0701716**	TDR&TXV	34,400	0.77	11.70	14.00		
	EHD4X36A**	*8MPV050	TDR&TXV	33,800	0.77	11.20	13.20		
	EHD4X36A**	*8MPV075	TDR&TXV	33,400	0.77	11.70	13.50		
	EHD4X36A**	*8MPV100	TDR&TXV	33,600	0.77	12.00	14.00		
	EHD4X36A**	*8MPV125	TDR&TXV	33,400	0.77	12.00	14.00		
EHD4X36A**	*9MPV050	TDR&TXV	33,800	0.77	11.20	13.20			
EHD4X36A**	*9MPV075	TDR&TXV	33,400	0.77	11.50	13.50			
EHD4X36A**	*9MPV100	TDR&TXV	33,400	0.77	11.70	14.00			
EHD4X36A**	*9MPV125	TDR&TXV	33,400	0.77	12.00	14.00			
EHD4X36A**	*9MVX040	TDR&TXV	33,200	0.77	11.00	13.20			
EHD4X36A**	*9MVX060	TDR&TXV	33,600	0.77	11.20	13.50			
EHD4X36A**	*9MVX080	TDR&TXV	34,000	0.77	11.70	13.50			
EHD4X36A**	*9MVX100	TDR&TXV	34,400	0.77	12.00	14.00			
EHD4X36A**	MV08B15**B*	TDR&TXV	33,400	0.77	12.00	14.00			
EHD4X36A**	MV12F19**B*	TDR&TXV	33,400	0.77	12.00	14.00			
EHD4X36A**	MV16J22**B*	TDR&TXV	33,400	0.77	12.00	14.00			
EHD4X36A**	MV20L24**B*	TDR&TXV	33,400	0.77	12.00	14.00			

2010 ENERGY STAR compliance for combinations with both: SEER 14.00 or higher and EER 12.00 or higher.

† For coils not listed with a matching furnace or blower, coil rating applies with any indoor blower device.

- continued on next page -

**COOLING PERFORMANCE FOR COMBINATION RATINGS (continued) Indoor Models**

For complete ratings information, use the AHRI website directory search: [www.AHRIdirectory.org](http://www.AHRIdirectory.org).  
New ratings may be listed online before Specification Sheets are updated.

Outdoor Model	Current Indoor Model († tested combo)	Furnace Model	Factory Installed	Cooling 95° F (35° C)			SEER		
				BTU/hr	S/T	EER	factory	w/ field TDR	w/ field TXV
N4A336GHB N4A336GLB N4A336GSB (continued)	EHD4X36A**	OLV098A12A	TDR&TXV	34,000	0.77	11.00	13.50		
	EHD4X36A**	OLV112A16A	TDR&TXV	34,400	0.77	11.50	13.50		
	EHD4X36A**	OLV154F20A	TDR&TXV	34,800	0.77	11.70	14.00		
	EHD4X36A**	OMV098J12A	TDR&TXV	34,000	0.77	11.00	13.50		
	EHD4X36A**	OMV112K14A	TDR&TXV	34,200	0.77	11.70	13.50		
	EHD4X36A**	†	TXV	34,000	0.77	11.00		13.00	
	EHD4X42A**	*8MPV050	TDR&TXV	33,800	0.77	11.20	13.50		
	EHD4X42A**	*8MPV075	TDR&TXV	34,000	0.77	11.70	14.00		
	EHD4X42A**	*8MPV100	TDR&TXV	34,400	0.77	12.00	14.00		
	EHD4X42A**	*8MPV125	TDR&TXV	34,200	0.77	12.00	14.00		
	EHD4X42A**	*9MPV050	TDR&TXV	34,000	0.77	11.20	13.50		
	EHD4X42A**	*9MPV075	TDR&TXV	34,000	0.77	11.50	13.50		
	EHD4X42A**	*9MPV100	TDR&TXV	34,200	0.77	11.70	14.00		
	EHD4X42A**	*9MPV125	TDR&TXV	34,200	0.77	12.00	14.00		
	EHD4X42A**	*9MVX040	TDR&TXV	33,400	0.77	11.20	13.20		
	EHD4X42A**	*9MVX060	TDR&TXV	33,800	0.77	11.20	13.50		
	EHD4X42A**	*9MVX080	TDR&TXV	34,400	0.77	11.70	14.00		
	EHD4X42A**	*9MVX100	TDR&TXV	34,200	0.77	12.00	14.00		
	EHD4X42A**	MV08B15**B*	TDR&TXV	34,000	0.77	12.00	14.00		
	EHD4X42A**	MV12F19**B*	TDR&TXV	34,000	0.77	12.00	14.00		
	EHD4X42A**	MV16J22**B*	TDR&TXV	34,000	0.77	12.00	14.00		
	EHD4X42A**	MV20L24**B*	TDR&TXV	34,000	0.77	12.00	14.00		
	EHD4X42A**	OLV098A12A	TDR&TXV	34,200	0.77	11.50	13.50		
	EHD4X42A**	OLV112A16A	TDR&TXV	34,600	0.77	11.70	13.50		
	EHD4X42A**	OLV154F20A	TDR&TXV	34,800	0.77	12.00	14.00		
	EHD4X42A**	OMV098J12A	TDR&TXV	34,200	0.77	11.50	13.50		
	EHD4X42A**	OMV112K14A	TDR&TXV	34,400	0.77	11.70	14.00		
	EHD4X42A**	†	TXV	33,800	0.77	11.00		13.00	
	EMA4X36D**	†	TXV	33,800	0.77	10.90		13.00	
	EN(A,D)4X36*21**	*8MV*1102120**	TDR&TXV	33,400	0.77	11.50	13.50		
	EN(A,D)4X36*21**	*8MX*0902116**	TDR&TXV	33,400	0.77	11.70	14.00		
	EN(A,D)4X36*21**	*8MX*1102120**	TDR&TXV	33,600	0.77	11.70	14.00		
	EN(A,D)4X36*21**	*9MPV050	TDR&TXV	33,200	0.77	11.00	13.00		
	EN(A,D)4X36*21**	*9MPV075	TDR&TXV	33,200	0.77	11.00	13.20		
	EN(A,D)4X36*21**	*9MPV100	TDR&TXV	33,600	0.77	11.00	13.50		
	EN(A,D)4X36*21**	*9MVX040	TDR&TXV	33,200	0.77	11.00	13.00		
	EN(A,D)4X36*21**	*9MVX060	TDR&TXV	33,400	0.77	11.00	13.20		
	EN(A,D)4X36*21**	*9MVX080	TDR&TXV	33,800	0.77	11.00	13.50		
	EN(A,D)4X36*21**	OLV098A12A	TDR&TXV	33,200	0.77	11.00	13.20		
	EN(A,D)4X36*21**	OLV112A16A	TDR&TXV	33,400	0.77	11.00	13.20		
	EN(A,D)4X36*21**	OMV098J12A	TDR&TXV	33,200	0.77	11.00	13.20		
	EN(A,D)4X36*21**	OMV112K14A	TDR&TXV	33,400	0.77	11.00	13.50		
	EN(A,D)4X37*17**	*8MPV050	TDR&TXV	34,400	0.77	11.00	13.50		
	EN(A,D)4X37*17**	*8MPV075	TDR&TXV	34,800	0.77	11.70	14.00		
	EN(A,D)4X37*17**	*8MV*0701412**	TDR&TXV	34,400	0.77	12.00	14.00		
	EN(A,D)4X37*17**	*8MV*0901716**	TDR&TXV	34,600	0.77	12.00	14.50		
	EN(A,D)4X37*17**	*8MX*0451408**	TDR&TXV	34,600	0.77	11.00	13.50		
	EN(A,D)4X37*17**	*8MX*0701716**	TDR&TXV	34,600	0.77	11.70	14.00		
	EN(A,D)4X37*17**	*9MPV050	TDR&TXV	34,600	0.77	11.00	13.20		
	EN(A,D)4X37*17**	*9MPV075	TDR&TXV	34,600	0.77	11.00	13.50		
EN(A,D)4X37*17**	*9MVX040	TDR&TXV	34,400	0.77	11.00	13.20			
EN(A,D)4X37*17**	*9MVX060	TDR&TXV	34,800	0.77	11.50	13.50			
EN(A,D)4X37*17**	OLV098A12A	TDR&TXV	34,400	0.77	11.50	13.50			
EN(A,D)4X37*17**	OMV098J12A	TDR&TXV	34,600	0.77	11.50	13.50			
EN(A,D)4X37*17**	OMV112K14A	TDR&TXV	34,600	0.77	11.50	14.00			
EN(A,D)4X37*17**	†	TXV	34,800	0.77	11.00		13.00		
EN(A,D)4X43*24**	*8MPV100	TDR&TXV	34,800	0.77	12.00	14.50			
EN(A,D)4X43*24**	*8MPV125	TDR&TXV	34,800	0.77	12.00	14.50			
EN(A,D)4X43*24**	*8MV*1102120**	TDR&TXV	34,600	0.77	12.00	14.50			
EN(A,D)4X43*24**	*8MV*1352422**	TDR&TXV	34,600	0.77	12.00	14.50			
EN(A,D)4X43*24**	*8MX*0902116**	TDR&TXV	34,800	0.77	12.00	14.50			
EN(A,D)4X43*24**	*8MX*1102120**	TDR&TXV	34,800	0.77	12.00	14.50			
EN(A,D)4X43*24**	*9MPV100	TDR&TXV	34,800	0.77	12.00	14.00			

2010 ENERGY STAR compliance for combinations with both: SEER 14.00 or higher and EER 12.00 or higher.

† For coils not listed with a matching furnace or blower, coil rating applies with any indoor blower device.

- continued on next page -

**COOLING PERFORMANCE FOR COMBINATION RATINGS (continued) Indoor Models**

For complete ratings information, use the AHRI website directory search: [www.AHRIdirectory.org](http://www.AHRIdirectory.org).  
New ratings may be listed online before Specification Sheets are updated.

Outdoor Model	Current Indoor Model (‡ tested combo)	Furnace Model	Factory Installed	Cooling 95° F (35° C)			SEER		
				BTU/hr	S/T	EER	factory	w/ field TDR	w/ field TXV
N4A336GHB N4A336GLB N4A336GSB (continued)	EN(A,D)4X43*24**	*9MPV125	TDR&TXV	34,800	0.77	12.00	14.00		
	EN(A,D)4X43*24**	*9MVX080	TDR&TXV	34,800	0.77	12.00	14.00		
	EN(A,D)4X43*24**	*9MVX100	TDR&TXV	34,800	0.77	12.00	14.00		
	EN(A,D)4X43*24**	OLV112A16A	TDR&TXV	34,800	0.77	12.00	14.00		
	EN(A,D)4X43*24**	OLV154F20A	TDR&TXV	34,800	0.77	12.00	14.50		
	EN(A,D)4X43*24**	†	TXV	35,000	0.77	11.00		13.00	
	EN(A,D,W)4X36*17**	*8MV*0901716**	TDR&TXV	33,200	0.77	11.50	13.50		
	EN(A,D,W)4X36*17**	*8MX*0701716**	TDR&TXV	33,200	0.77	11.20	13.50		
	EN(A,D,W)4X36*17**	*9MPV050	TDR&TXV	33,200	0.77	11.00	13.20		
	EN(A,D,W)4X36*17**	*9MPV075	TDR&TXV	33,200	0.77	11.00	13.20		
	EN(A,D,W)4X36*17**	*9MVX040	TDR&TXV	33,000	0.77	11.00	13.00		
	EN(A,D,W)4X36*17**	*9MVX060	TDR&TXV	33,400	0.77	11.00	13.20		
	EN(A,D,W)4X36*17**	OLV098A12A	TDR&TXV	33,000	0.77	11.00	13.20		
	EN(A,D,W)4X36*17**	OMV098J12A	TDR&TXV	33,200	0.77	11.00	13.20		
	EN(A,D,W)4X36*17**	OMV112K14A	TDR&TXV	33,400	0.77	11.00	13.40		
	EN(A,D,W)4X42*21**	*8MV*1102120**	TDR&TXV	33,800	0.77	11.70	14.00		
	EN(A,D,W)4X42*21**	*8MX*0902116**	TDR&TXV	34,000	0.77	12.00	14.00		
	EN(A,D,W)4X42*21**	*8MX*1102120**	TDR&TXV	34,000	0.77	12.00	14.00		
	EN(A,D,W)4X42*21**	*9MPV050	TDR&TXV	33,600	0.77	11.00	13.20		
	EN(A,D,W)4X42*21**	*9MPV075	TDR&TXV	33,600	0.77	11.00	13.20		
	EN(A,D,W)4X42*21**	*9MPV100	TDR&TXV	34,200	0.77	11.50	13.50		
	EN(A,D,W)4X42*21**	*9MVX040	TDR&TXV	33,600	0.77	11.00	13.20		
	EN(A,D,W)4X42*21**	*9MVX060	TDR&TXV	33,800	0.77	11.00	13.20		
	EN(A,D,W)4X42*21**	*9MVX080	TDR&TXV	34,200	0.77	11.50	13.50		
	EN(A,D,W)4X42*21**	OLV098A12A	TDR&TXV	33,400	0.77	11.00	13.20		
	EN(A,D,W)4X42*21**	OLV112A16A	TDR&TXV	33,800	0.77	11.50	13.50		
	EN(A,D,W)4X42*21**	OMV098J12A	TDR&TXV	33,600	0.77	11.00	13.20		
	EN(A,D,W)4X42*21**	OMV112K14A	TDR&TXV	33,600	0.77	11.50	13.50		
	EN(A,D,W)4X48*21**	*8MX*0902116**	TDR&TXV	34,600	0.77	12.20	14.50		
	EN(A,D,W)4X48*21**	*8MX*1102120**	TDR&TXV	34,800	0.77	12.20	14.50		
	END4X42*17**	*8MV*0901716**	TDR&TXV	33,800	0.77	11.70	14.00		
	END4X42*17**	*8MX*0701716**	TDR&TXV	33,800	0.77	11.70	14.00		
	END4X42*17**	*9MPV050	TDR&TXV	33,800	0.77	11.00	13.20		
	END4X42*17**	*9MPV075	TDR&TXV	33,800	0.77	11.00	13.20		
	END4X42*17**	*9MVX040	TDR&TXV	33,800	0.77	11.00	13.20		
	END4X42*17**	*9MVX060	TDR&TXV	34,200	0.77	11.00	13.20		
	END4X42*17**	OLV098A12A	TDR&TXV	33,800	0.77	11.00	13.50		
	END4X42*17**	OMV098J12A	TDR&TXV	33,800	0.77	11.00	13.20		
	END4X42*17**	OMV112K14A	TDR&TXV	34,000	0.77	11.50	13.50		
	ENH4X36*17**	*8MV*0701412**	TDR&TXV	33,200	0.77	11.50	13.50		
	ENH4X36*17**	*8MV*0901716**	TDR&TXV	33,200	0.77	11.50	13.50		
	ENH4X36*17**	*8MV*1102120**	TDR&TXV	33,400	0.77	11.50	13.50		
	ENH4X36*17**	*8MV*1352422**	TDR&TXV	33,400	0.77	11.70	14.00		
	ENH4X36*17**	*8MX*0701716**	TDR&TXV	33,200	0.77	11.00	13.50		
	ENH4X36*17**	*8MX*0902116**	TDR&TXV	33,400	0.77	11.70	14.00		
	ENH4X36*17**	*8MX*1102120**	TDR&TXV	33,600	0.77	11.70	14.00		
	ENH4X36*17**	*9MPV050	TDR&TXV	33,200	0.77	11.00	13.00		
	ENH4X36*17**	*9MPV075	TDR&TXV	33,200	0.77	11.00	13.20		
ENH4X36*17**	*9MPV100	TDR&TXV	33,600	0.77	11.00	13.20			
ENH4X36*17**	*9MPV125	TDR&TXV	33,600	0.77	11.50	13.50			
ENH4X36*17**	*9MVX040	TDR&TXV	33,000	0.77	11.00	13.00			
ENH4X36*17**	*9MVX060	TDR&TXV	33,400	0.77	11.00	13.20			
ENH4X36*17**	*9MVX080	TDR&TXV	33,800	0.77	11.00	13.20			
ENH4X36*17**	*9MVX100	TDR&TXV	33,600	0.77	11.50	13.20			
ENH4X36*17**	OLV098A12A	TDR&TXV	33,000	0.77	11.00	13.20			
ENH4X36*17**	OLV112A16A	TDR&TXV	33,400	0.77	11.00	13.20			
ENH4X36*17**	OLV154F20A	TDR&TXV	34,200	0.77	11.50	13.50			
ENH4X36*17**	OMV098J12A	TDR&TXV	33,200	0.77	11.00	13.20			
ENH4X36*17**	OMV112K14A	TDR&TXV	33,400	0.77	11.00	13.20			
ENH4X42*21**	*8MV*0701412**	TDR&TXV	33,600	0.77	11.50	13.50			

2010 ENERGY STAR compliance for combinations with both: SEER 14.00 or higher and EER 12.00 or higher.

† For coils not listed with a matching furnace or blower, coil rating applies with any indoor blower device.

- continued on next page -

**COOLING PERFORMANCE FOR COMBINATION RATINGS (continued) Indoor Models**

For complete ratings information, use the AHRI website directory search: [www.AHRIdirectory.org](http://www.AHRIdirectory.org).  
New ratings may be listed online before Specification Sheets are updated.

Outdoor Model	Current Indoor Model († tested combo)	Furnace Model	Factory Installed	Cooling 95° F (35° C)			SEER		
				BTU/hr	S/T	EER	factory	w/ field TDR	w/ field TXV
N4A336GHB N4A336GLB N4A336GSB (continued)	ENH4X42*21**	*8MV*0901716**	TDR&TXV	33,600	0.77	11.70	14.00		
	ENH4X42*21**	*8MV*1102120**	TDR&TXV	33,800	0.77	11.70	14.00		
	ENH4X42*21**	*8MV*1352422**	TDR&TXV	33,600	0.77	12.00	14.00		
	ENH4X42*21**	*8MX*0701716**	TDR&TXV	33,600	0.77	11.20	13.50		
	ENH4X42*21**	*8MX*0902116**	TDR&TXV	34,000	0.77	12.00	14.00		
	ENH4X42*21**	*8MX*1102120**	TDR&TXV	34,000	0.77	12.00	14.00		
	ENH4X42*21**	*9MPV050	TDR&TXV	33,600	0.77	11.00	13.00		
	ENH4X42*21**	*9MPV075	TDR&TXV	33,600	0.77	11.00	13.20		
	ENH4X42*21**	*9MPV100	TDR&TXV	34,200	0.77	11.50	13.50		
	ENH4X42*21**	*9MPV125	TDR&TXV	34,200	0.77	11.50	13.50		
	ENH4X42*21**	*9MVX040	TDR&TXV	33,600	0.77	11.00	13.20		
	ENH4X42*21**	*9MVX060	TDR&TXV	33,800	0.77	11.00	13.20		
	ENH4X42*21**	*9MVX080	TDR&TXV	34,200	0.77	11.50	13.50		
	ENH4X42*21**	*9MVX100	TDR&TXV	34,000	0.77	11.50	13.50		
	ENH4X42*21**	OLV098A12A	TDR&TXV	33,400	0.77	11.00	13.20		
	ENH4X42*21**	OLV112A16A	TDR&TXV	33,800	0.77	11.50	13.50		
	ENH4X42*21**	OLV154F20A	TDR&TXV	34,600	0.77	11.50	13.50		
	ENH4X42*21**	OMV098J12A	TDR&TXV	33,600	0.77	11.00	13.20		
	ENH4X42*21**	OMV112K14A	TDR&TXV	33,600	0.77	11.50	13.50		
	ENH4X43*21**	*8MPV050	TDR&TXV	34,400	0.77	11.00	13.50		
	ENH4X43*21**	*8MPV075	TDR&TXV	34,800	0.77	12.00	14.00		
	ENH4X43*21**	*8MPV100	TDR&TXV	34,800	0.77	12.00	14.50		
	ENH4X43*21**	*8MPV125	TDR&TXV	34,800	0.77	12.00	14.50		
	ENH4X43*21**	*8MV*0701412**	TDR&TXV	34,400	0.77	12.00	14.00		
	ENH4X43*21**	*8MV*0901716**	TDR&TXV	34,600	0.77	12.00	14.50		
	ENH4X43*21**	*8MV*1102120**	TDR&TXV	34,600	0.77	12.00	14.50		
	ENH4X43*21**	*8MV*1352422**	TDR&TXV	34,600	0.77	12.00	14.50		
	ENH4X43*21**	*8MX*0451408**	TDR&TXV	34,800	0.77	11.00	13.50		
	ENH4X43*21**	*8MX*0701716**	TDR&TXV	34,800	0.77	11.70	14.00		
	ENH4X43*21**	*8MX*0902116**	TDR&TXV	34,800	0.77	12.00	14.50		
	ENH4X43*21**	*8MX*1102120**	TDR&TXV	34,800	0.77	12.00	14.50		
	ENH4X43*21**	*9MPV050	TDR&TXV	34,600	0.77	11.00	13.50		
	ENH4X43*21**	*9MPV075	TDR&TXV	34,800	0.77	11.50	13.50		
	ENH4X43*21**	*9MPV100	TDR&TXV	34,800	0.77	11.50	14.00		
	ENH4X43*21**	*9MPV125	TDR&TXV	34,800	0.77	12.00	14.00		
	ENH4X43*21**	*9MVX040	TDR&TXV	34,600	0.77	11.00	13.20		
	ENH4X43*21**	*9MVX060	TDR&TXV	34,800	0.77	11.50	13.50		
	ENH4X43*21**	*9MVX080	TDR&TXV	34,800	0.77	11.50	14.00		
	ENH4X43*21**	*9MVX100	TDR&TXV	34,800	0.77	12.00	14.00		
	ENH4X43*21**	OLV098A12A	TDR&TXV	34,400	0.77	11.70	13.50		
	ENH4X43*21**	OLV112A16A	TDR&TXV	34,800	0.77	11.70	14.00		
	ENH4X43*21**	OLV154F20A	TDR&TXV	34,800	0.77	12.20	14.00		
	ENH4X43*21**	OMV098J12A	TDR&TXV	34,600	0.77	11.70	13.50		
	ENH4X43*21**	OMV112K14A	TDR&TXV	34,600	0.77	12.00	14.00		
	ENH4X43*21**	†	TXV	34,800	0.77	11.00		13.00	
ENH4X48*21**	*8MV*0901716**	TDR&TXV	34,200	0.77	12.20	14.50			
FEA4X36**A*	—	TDR&TXV	33,600	0.77	11.70	13.50			
FEM4P36**A*	—	TDR	32,600	0.77	11.00	13.00			
FEM4P36**A*+TXV	—	TDR	33,600	0.77	11.00			13.50	
FEM4P42**A*	—	TDR	34,000	0.77	11.50	13.50			
FEM4P42**A*+TXV	—	TDR	34,600	0.77	12.00			14.50	
FEM4X36****	—	TDR&TXV	34,600	0.77	11.70	14.00			
FEM4X42****	—	TDR&TXV	34,800	0.77	11.70	14.00			
FS(M,U)4P36**A*	—	TDR	33,000	0.77	11.00	13.00			
FS(M,U)4P36**A*+TXV	—	TDR	33,800	0.77	11.00			13.50	
FS(M,U)4P42**A*	—	TDR	33,800	0.77	11.00	13.00			
FS(M,U)4P42**A*+TXV	—	TDR	34,200	0.77	11.00			13.50	
FS(M,U)4X42****	—	TDR&TXV	34,200	0.77	11.00	13.00			
FSA4X36**A*	—	TDR&TXV	33,600	0.77	10.70	13.00			
FSM4X36****	—	TDR&TXV	34,200	0.77	11.00	13.00			

2010 ENERGY STAR compliance for combinations with both: SEER 14.00 or higher and EER 12.00 or higher.

† For coils not listed with a matching furnace or blower, coil rating applies with any indoor blower device.

- continued on next page -

COOLING PERFORMANCE FOR COMBINATION RATINGS (continued) Indoor Models									
For complete ratings information, use the AHRI website directory search: <a href="http://www.AHRIdirectory.org">www.AHRIdirectory.org</a> . New ratings may be listed online before Specification Sheets are updated.									
Outdoor Model	Current Indoor Model († tested combo)	Furnace Model	Factory Installed	Cooling 95° F (35° C)			SEER		
				BTU/hr	S/T	EER	factory	w/ field TDR	w/ field TXV
N4A336GHB N4A336GLB N4A336GSB (continued)	FVM4X36****	—	TDR&TXV	33,600	0.77	12.00	14.00		
	FVM4X48****	—	TDR&TXV	34,800	0.77	12.00	14.00		
	FVM4X60****	—	TDR&TXV	34,800	0.77	12.00	14.00		
	FXM4X36**A*	—	TDR&TXV	34,000	0.77	12.00	14.50		
	FXM4X42**A*	—	TDR&TXV	34,000	0.77	12.00	14.50		
N4A342GHA N4A342GLA	†ED*4X42J**	†	TXV	41,000	0.77	11.00		13.00	
	ED*4X42F**	*8MPV075	TDR&TXV	40,000	0.77	11.20	13.50		
	ED*4X42F**	*9MPV075	TDR&TXV	40,000	0.77	10.90	13.00		
	ED*4X42F**	*9MVX060	TDR&TXV	40,000	0.77	11.20	13.20		
	ED*4X42F**	MV12F19**B*	TDR&TXV	40,500	0.77	12.00	14.00		
	ED*4X42F**	OLV112A16A	TDR&TXV	40,500	0.77	11.00	13.20		
	ED*4X42F**	OMV112K14A	TDR&TXV	40,000	0.77	11.20	13.50		
	ED*4X42F**	†	TXV	40,500	0.77	10.80		13.00	
	ED*4X42J**	*8MPV100	TDR&TXV	41,500	0.77	11.20	13.50		
	ED*4X42J**	*8MPV125	TDR&TXV	41,000	0.77	11.50	14.00		
	ED*4X42J**	*8MV*1102120**	TDR&TXV	40,500	0.77	11.20	13.50		
	ED*4X42J**	*8MX*0902116**	TDR&TXV	40,500	0.77	11.70	14.00		
	ED*4X42J**	*8MX*1102120**	TDR&TXV	40,500	0.77	12.00	14.00		
	ED*4X42J**	*9MVX080	TDR&TXV	40,500	0.77	11.50	13.50		
	ED*4X42J**	MV16J22**B*	TDR&TXV	40,500	0.77	12.00	14.00		
	ED*4X42J**	OLV112A16A	TDR&TXV	40,500	0.77	11.20	13.50		
	ED*4X42L**	*8MV*1352422**	TDR&TXV	40,500	0.77	11.50	14.00		
	ED*4X42L**	*8MX*1352420**	TDR&TXV	40,500	0.77	12.00	14.00		
	ED*4X42L**	*9MPV125	TDR&TXV	41,500	0.77	11.00	13.00		
	ED*4X42L**	*9MVX100	TDR&TXV	40,500	0.77	11.70	14.00		
	ED*4X42L**	MV20L24**B*	TDR&TXV	40,500	0.77	12.00	14.00		
	ED*4X42L**	OLV112A16A	TDR&TXV	40,500	0.77	11.20	13.50		
	ED*4X42L**	OLV154F20A	TDR&TXV	41,000	0.77	11.50	13.50		
	ED*4X42L**	†	TXV	41,000	0.77	11.00		13.00	
	ED*4X48F**	*8MPV075	TDR&TXV	41,500	0.77	11.20	13.50		
	ED*4X48F**	*8MV*0901716**	TDR&TXV	40,000	0.77	11.50	14.00		
	ED*4X48F**	*8MX*0701716**	TDR&TXV	39,500	0.77	11.20	13.50		
	ED*4X48F**	*9MPV075	TDR&TXV	41,000	0.77	11.00	13.20		
	ED*4X48F**	*9MVX060	TDR&TXV	41,000	0.77	11.20	13.50		
	ED*4X48F**	MV12F19**B*	TDR&TXV	41,500	0.77	12.00	14.00		
	ED*4X48F**	OLV112A16A	TDR&TXV	41,500	0.77	11.20	13.50		
	ED*4X48F**	OMV112K14A	TDR&TXV	41,000	0.77	11.50	13.50		
	ED*4X48F**	†	TXV	41,500	0.77	11.00		13.00	
	ED*4X48J**	*8MPV100	TDR&TXV	41,500	0.77	11.50	14.00		
	ED*4X48J**	*8MPV125	TDR&TXV	42,000	0.77	11.50	14.00		
	ED*4X48J**	*8MV*1102120**	TDR&TXV	41,000	0.77	11.50	14.00		
	ED*4X48J**	*8MX*0902116**	TDR&TXV	41,000	0.77	12.00	14.00		
	ED*4X48J**	*8MX*1102120**	TDR&TXV	41,000	0.77	12.00	14.00		
	ED*4X48J**	*9MPV100	TDR&TXV	42,000	0.77	11.00	13.20		
	ED*4X48J**	*9MVX080	TDR&TXV	41,500	0.77	11.70	13.50		
	ED*4X48J**	MV16J22**B*	TDR&TXV	41,000	0.77	12.00	14.00		
	ED*4X48J**	OLV112A16A	TDR&TXV	41,000	0.77	11.20	13.50		
	ED*4X48J**	†	TXV	41,500	0.77	11.00		13.00	
	ED*4X48L**	*8MV*1352422**	TDR&TXV	41,000	0.77	11.70	14.00		
	ED*4X48L**	*8MX*1352420**	TDR&TXV	41,000	0.77	12.00	14.00		
	ED*4X48L**	*9MPV125	TDR&TXV	42,000	0.77	11.20	13.50		
	ED*4X48L**	*9MVX100	TDR&TXV	41,000	0.77	12.00	14.00		
	ED*4X48L**	MV20L24**B*	TDR&TXV	41,000	0.77	12.00	14.00		
ED*4X48L**	OLV112A16A	TDR&TXV	41,000	0.77	11.20	13.50			
ED*4X48L**	OLV154F20A	TDR&TXV	42,000	0.77	11.50	14.00			
ED*4X48L**	†	TXV	41,500	0.77	11.00		13.20		
EHD4X42A**	*8MPV075	TDR&TXV	41,000	0.77	11.20	13.50			
EHD4X42A**	*8MPV100	TDR&TXV	41,500	0.77	11.50	14.00			
EHD4X42A**	*8MPV125	TDR&TXV	41,500	0.77	11.50	14.00			
EHD4X42A**	*9MPV075	TDR&TXV	40,500	0.77	11.20	13.50			

2010 ENERGY STAR compliance for combinations with both: SEER 14.00 or higher and EER 12.00 or higher.

† For coils not listed with a matching furnace or blower, coil rating applies with any indoor blower device.

- continued on next page -

**COOLING PERFORMANCE FOR COMBINATION RATINGS (continued) Indoor Models**

For complete ratings information, use the AHRI website directory search: [www.AHRIdirectory.org](http://www.AHRIdirectory.org).  
New ratings may be listed online before Specification Sheets are updated.

Outdoor Model	Current Indoor Model († tested combo)	Furnace Model	Factory Installed	Cooling 95° F (35° C)			SEER		
				BTU/hr	S/T	EER	factory	w/ field TDR	w/ field TXV
N4A342GHA N4A342GLA (continued)	EHD4X42A**	*9MPV100	TDR&TXV	40,500	0.77	11.50	14.00		
	EHD4X42A**	*9MPV125	TDR&TXV	41,500	0.77	11.20	13.50		
	EHD4X42A**	*9MVX060	TDR&TXV	40,000	0.77	11.20	13.20		
	EHD4X42A**	*9MVX080	TDR&TXV	40,500	0.77	11.50	13.50		
	EHD4X42A**	*9MVX100	TDR&TXV	40,500	0.77	11.70	14.00		
	EHD4X42A**	MV12F19**B*	TDR&TXV	41,000	0.77	12.00	14.00		
	EHD4X42A**	MV16J22**B*	TDR&TXV	41,000	0.77	12.00	14.00		
	EHD4X42A**	MV20L24**B*	TDR&TXV	41,000	0.77	12.00	14.00		
	EHD4X42A**	OLV112A16A	TDR&TXV	41,500	0.77	11.20	13.50		
	EHD4X42A**	OLV154F20A	TDR&TXV	42,000	0.77	11.70	13.50		
	EHD4X42A**	OMV112K14A	TDR&TXV	41,000	0.77	11.50	13.50		
	EHD4X42A**	†	TXV	41,000	0.77	11.00		13.20	
	EHD4X48A**	*8MPV075	TDR&TXV	41,500	0.77	11.20	13.50		
	EHD4X48A**	*8MPV100	TDR&TXV	41,500	0.77	11.50	14.00		
	EHD4X48A**	*8MPV125	TDR&TXV	42,000	0.77	11.50	14.00		
	EHD4X48A**	*9MPV075	TDR&TXV	41,000	0.77	11.20	13.50		
	EHD4X48A**	*9MPV100	TDR&TXV	41,500	0.77	11.50	14.00		
	EHD4X48A**	*9MPV125	TDR&TXV	42,000	0.77	11.20	13.50		
	EHD4X48A**	*9MVX060	TDR&TXV	41,000	0.77	11.20	13.50		
	EHD4X48A**	*9MVX080	TDR&TXV	41,500	0.77	11.70	13.50		
	EHD4X48A**	*9MVX100	TDR&TXV	41,000	0.77	12.00	14.00		
	EHD4X48A**	MV12F19**B*	TDR&TXV	41,000	0.77	12.00	14.00		
	EHD4X48A**	MV16J22**B*	TDR&TXV	41,000	0.77	12.00	14.00		
	EHD4X48A**	MV20L24**B*	TDR&TXV	41,000	0.77	12.00	14.00		
	EHD4X48A**	OLV112A16A	TDR&TXV	41,500	0.77	11.20	13.50		
	EHD4X48A**	OLV154F20A	TDR&TXV	42,500	0.77	11.70	14.00		
	EHD4X48A**	OMV112K14A	TDR&TXV	41,000	0.77	11.50	13.50		
	EHD4X48A**	†	TXV	41,500	0.77	11.00		13.00	
	EMA4X48D**	†	TXV	41,500	0.77	11.00		13.20	
	EN(A,D)4X43*24**	*8MPV100	TDR&TXV	42,500	0.77	12.00	14.00		
	EN(A,D)4X43*24**	*8MPV125	TDR&TXV	42,500	0.77	12.00	14.50		
	EN(A,D)4X43*24**	*8MV*1102120**	TDR&TXV	41,500	0.77	12.00	14.50		
	EN(A,D)4X43*24**	*8MV*1352422**	TDR&TXV	41,500	0.77	12.00	14.50		
	EN(A,D)4X43*24**	*8MX*0902116**	TDR&TXV	41,500	0.77	12.00	14.50		
	EN(A,D)4X43*24**	*8MX*1102120**	TDR&TXV	41,500	0.77	12.00	14.50		
	EN(A,D)4X43*24**	*8MX*1352420**	TDR&TXV	41,500	0.77	12.00	14.50		
	EN(A,D)4X43*24**	*9MPV100	TDR&TXV	42,000	0.77	12.00	14.00		
	EN(A,D)4X43*24**	*9MPV125	TDR&TXV	42,000	0.77	12.00	14.00		
	EN(A,D)4X43*24**	*9MVX080	TDR&TXV	42,000	0.77	11.70	14.00		
	EN(A,D)4X43*24**	*9MVX100	TDR&TXV	42,000	0.77	12.00	14.00		
	EN(A,D)4X43*24**	OLV112A16A	TDR&TXV	42,000	0.77	11.50	13.50		
	EN(A,D)4X43*24**	OLV154F20A	TDR&TXV	42,500	0.77	12.00	14.00		
	EN(A,D)4X43*24**	†	TXV	41,500	0.77	11.00		13.00	
	EN(A,D)4X48*24**	*8MV*1352422**	TDR&TXV	41,000	0.77	11.70	14.00		
	EN(A,D)4X48*24**	*8MX*1352420**	TDR&TXV	41,000	0.77	12.00	14.00		
	EN(A,D)4X48*24**	*9MPV100	TDR&TXV	41,500	0.77	11.70	13.50		
	EN(A,D)4X48*24**	*9MPV125	TDR&TXV	41,500	0.77	11.70	14.00		
	EN(A,D)4X48*24**	*9MVX080	TDR&TXV	41,500	0.77	11.70	13.50		
	EN(A,D)4X48*24**	*9MVX100	TDR&TXV	41,500	0.77	11.70	14.00		
	EN(A,D)4X48*24**	OLV112A16A	TDR&TXV	41,000	0.77	11.50	13.50		
EN(A,D)4X48*24**	OLV154F20A	TDR&TXV	42,000	0.77	11.70	14.00			
EN(A,D,W)4X42*21**	*8MV*1102120**	TDR&TXV	40,500	0.77	11.50	14.00			
EN(A,D,W)4X42*21**	*8MX*0902116**	TDR&TXV	40,500	0.77	11.70	14.00			
EN(A,D,W)4X42*21**	*8MX*1102120**	TDR&TXV	40,500	0.77	12.00	14.00			
EN(A,D,W)4X42*21**	*9MPV075	TDR&TXV	40,000	0.77	11.00	13.20			
EN(A,D,W)4X42*21**	*9MPV100	TDR&TXV	40,500	0.77	11.20	13.50			
EN(A,D,W)4X42*21**	*9MVX060	TDR&TXV	40,000	0.77	11.00	13.20			
EN(A,D,W)4X42*21**	*9MVX080	TDR&TXV	40,500	0.77	11.20	13.50			
EN(A,D,W)4X42*21**	OLV112A16A	TDR&TXV	40,500	0.77	11.00	13.20			
EN(A,D,W)4X42*21**	OMV112K14A	TDR&TXV	40,000	0.77	11.20	13.50			

2010 ENERGY STAR compliance for combinations with both: SEER 14.00 or higher and EER 12.00 or higher.

† For coils not listed with a matching furnace or blower, coil rating applies with any indoor blower device.

- continued on next page -



COOLING PERFORMANCE FOR COMBINATION RATINGS (continued) Indoor Models									
For complete ratings information, use the AHRI website directory search: <a href="http://www.AHRIdirectory.org">www.AHRIdirectory.org</a> . New ratings may be listed online before Specification Sheets are updated.									
Outdoor Model	Current Indoor Model († tested combo)	Furnace Model	Factory Installed	Cooling 95° F (35° C)			SEER		
				BTU/hr	S/T	EER	factory	w/ field TDR	w/ field TXV
N4A342GHA N4A342GLA (continued)	EN(A,D,W)4X48*21**	*8MV*1102120**	TDR&TXV	41,000	0.77	11.50	14.00		
	EN(A,D,W)4X48*21**	*8MX*0902116**	TDR&TXV	41,000	0.77	12.00	14.00		
	EN(A,D,W)4X48*21**	*8MX*1102120**	TDR&TXV	41,000	0.77	12.00	14.00		
	EN(A,D,W)4X48*21**	*9MPV075	TDR&TXV	41,000	0.77	11.20	13.20		
	EN(A,D,W)4X48*21**	*9MPV100	TDR&TXV	41,500	0.77	11.70	13.50		
	EN(A,D,W)4X48*21**	*9MVX060	TDR&TXV	41,000	0.77	11.20	13.50		
	EN(A,D,W)4X48*21**	*9MVX080	TDR&TXV	41,500	0.77	11.70	13.50		
	EN(A,D,W)4X48*21**	OLV112A16A	TDR&TXV	41,000	0.77	11.50	13.50		
	EN(A,D,W)4X48*21**	OMV112K14A	TDR&TXV	41,000	0.77	11.50	13.50		
	END4X42*17**	*8MV*0901716**	TDR&TXV	40,500	0.77	11.70	14.00		
	END4X42*17**	*8MX*0701716**	TDR&TXV	40,500	0.77	11.20	13.50		
	END4X42*17**	*9MPV075	TDR&TXV	40,500	0.77	11.00	13.20		
	END4X42*17**	*9MVX060	TDR&TXV	40,500	0.77	11.00	13.20		
	END4X42*17**	OMV112K14A	TDR&TXV	40,500	0.77	11.20	13.50		
	ENH4X42*21**	*8MV*0701412**	TDR&TXV	40,500	0.77	11.20	13.50		
	ENH4X42*21**	*8MX*0701716**	TDR&TXV	40,000	0.77	11.20	13.20		
	ENH4X42*21**	*8MX*0902116**	TDR&TXV	40,500	0.77	11.70	14.00		
	ENH4X42*21**	*8MX*1102120**	TDR&TXV	40,500	0.77	12.00	14.00		
	ENH4X42*21**	*8MX*1352420**	TDR&TXV	40,500	0.77	11.70	14.00		
	ENH4X42*21**	*9MPV075	TDR&TXV	40,000	0.77	11.00	13.20		
	ENH4X42*21**	*9MPV100	TDR&TXV	40,500	0.77	11.20	13.50		
	ENH4X42*21**	*9MPV125	TDR&TXV	40,500	0.77	11.50	13.50		
	ENH4X42*21**	*9MVX060	TDR&TXV	40,000	0.77	11.00	13.20		
	ENH4X42*21**	*9MVX080	TDR&TXV	40,500	0.77	11.20	13.50		
	ENH4X42*21**	*9MVX100	TDR&TXV	40,500	0.77	11.50	13.50		
	ENH4X42*21**	OLV112A16A	TDR&TXV	40,500	0.77	11.00	13.20		
	ENH4X42*21**	OLV154F20A	TDR&TXV	41,000	0.77	11.20	13.50		
	ENH4X42*21**	OMV112K14A	TDR&TXV	40,000	0.77	11.20	13.50		
	ENH4X43*21**	*8MPV075	TDR&TXV	41,500	0.77	11.50	13.50		
	ENH4X43*21**	*8MPV100	TDR&TXV	41,500	0.77	12.00	14.00		
	ENH4X43*21**	*8MPV125	TDR&TXV	41,500	0.77	12.00	14.50		
	ENH4X43*21**	*8MV*0701412**	TDR&TXV	41,500	0.77	11.50	14.00		
	ENH4X43*21**	*8MV*0901716**	TDR&TXV	41,500	0.77	12.00	14.00		
	ENH4X43*21**	*8MV*1102120**	TDR&TXV	41,500	0.77	12.00	14.00		
	ENH4X43*21**	*8MV*1352422**	TDR&TXV	41,500	0.77	12.00	14.50		
	ENH4X43*21**	*8MX*0701716**	TDR&TXV	41,500	0.77	11.00	13.50		
	ENH4X43*21**	*8MX*0902116**	TDR&TXV	41,500	0.77	12.00	14.00		
	ENH4X43*21**	*8MX*1102120**	TDR&TXV	41,500	0.77	12.00	14.50		
	ENH4X43*21**	*8MX*1352420**	TDR&TXV	41,500	0.77	12.00	14.50		
	ENH4X43*21**	*9MPV075	TDR&TXV	41,500	0.77	11.20	13.20		
	ENH4X43*21**	*9MPV100	TDR&TXV	42,000	0.77	11.70	14.00		
	ENH4X43*21**	*9MPV125	TDR&TXV	42,000	0.77	12.00	14.00		
	ENH4X43*21**	*9MVX060	TDR&TXV	41,500	0.77	11.20	13.50		
	ENH4X43*21**	*9MVX080	TDR&TXV	42,000	0.77	11.70	14.00		
	ENH4X43*21**	*9MVX100	TDR&TXV	42,000	0.77	12.00	14.00		
	ENH4X43*21**	OLV112A16A	TDR&TXV	41,500	0.77	11.50	13.50		
	ENH4X43*21**	OLV154F20A	TDR&TXV	42,500	0.77	11.70	14.00		
	ENH4X43*21**	OMV112K14A	TDR&TXV	41,500	0.77	11.70	14.00		
ENH4X43*21**	†	TXV	41,500	0.77	11.00		13.00		
ENH4X48*21**	*8MV*0701412**	TDR&TXV	41,000	0.77	11.20	13.50			
ENH4X48*21**	*8MX*0701716**	TDR&TXV	41,000	0.77	11.20	13.50			
ENH4X48*21**	*8MX*0902116**	TDR&TXV	41,000	0.77	12.00	14.00			
ENH4X48*21**	*8MX*1102120**	TDR&TXV	41,000	0.77	12.00	14.00			
ENH4X48*21**	*8MX*1352420**	TDR&TXV	41,000	0.77	12.00	14.00			
ENH4X48*21**	*9MPV075	TDR&TXV	41,000	0.77	11.00	13.20			
ENH4X48*21**	*9MPV100	TDR&TXV	41,500	0.77	11.70	13.50			
ENH4X48*21**	*9MPV125	TDR&TXV	41,500	0.77	11.70	14.00			
ENH4X48*21**	*9MVX060	TDR&TXV	41,000	0.77	11.20	13.20			
ENH4X48*21**	*9MVX080	TDR&TXV	41,500	0.77	11.70	13.50			
ENH4X48*21**	*9MVX100	TDR&TXV	41,500	0.77	11.70	14.00			
ENH4X48*21**	OLV112A16A	TDR&TXV	41,000	0.77	11.50	13.50			

2010 ENERGY STAR compliance for combinations with both: SEER 14.00 or higher and EER 12.00 or higher.

† For coils not listed with a matching furnace or blower, coil rating applies with any indoor blower device.

- continued on next page -

**COOLING PERFORMANCE FOR COMBINATION RATINGS (continued) Indoor Models**

For complete ratings information, use the AHRI website directory search: [www.AHRIdirectory.org](http://www.AHRIdirectory.org).  
New ratings may be listed online before Specification Sheets are updated.

Outdoor Model	Current Indoor Model († tested combo)	Furnace Model	Factory Installed	Cooling 95° F (35° C)			SEER		
				BTU/hr	S/T	EER	factory	w/ field TDR	w/ field TXV
N4A342GHA N4A342GLA (continued)	ENH4X48*21**	OLV154F20A	TDR&TXV	42,000	0.77	11.70	14.00		
	ENH4X48*21**	OMV112K14A	TDR&TXV	41,000	0.77	11.50	13.50		
	FEM4P42**A*	—	TDR	41,000	0.77	11.50	13.50		
	FEM4P42**A*+TXV	—	TDR	41,500	0.77	11.50			14.00
	FEM4P48**A*	—	TDR	41,000	0.77	11.50	13.50		
	FEM4P48**A*+TXV	—	TDR	41,500	0.77	11.50			14.00
	FEM4X42****	—	TDR&TXV	41,500	0.77	11.50	14.00		
	FEM4X48****	—	TDR&TXV	42,500	0.77	11.70	14.00		
	FS(M,U)4P42**A*	—	TDR	41,000	0.77	11.00	13.00		
	FS(M,U)4P42**A*+TXV	—	TDR	41,500	0.77	11.00			13.50
	FS(M,U)4P48**A*	—	TDR	42,000	0.77	11.00	13.00		
	FS(M,U)4P48**A*+TXV	—	TDR	42,000	0.77	11.00			13.50
	FS(M,U)4X42****	—	TDR&TXV	41,000	0.77	10.80	13.00		
	FS(M,U)4X48****	—	TDR&TXV	42,000	0.77	11.00	13.20		
	FSM4X36****	—	TDR&TXV	41,500	0.77	10.90	13.00		
	FVM4X48****	—	TDR&TXV	41,500	0.77	12.00	14.00		
	FVM4X60****	—	TDR&TXV	42,500	0.77	12.00	14.00		
	FXM4X42**A*	—	TDR&TXV	41,500	0.77	11.50	14.00		
FXM4X48**A*	—	TDR&TXV	42,000	0.77	12.00	14.50			
FXM4X60**A*	—	TDR&TXV	42,500	0.77	12.00	14.50			
N4A348GHB N4A348GLB N4A348GSB	†ED*4X48J**	†	TXV	46,000	0.71	11.00			13.20
	ED*4X48L**	*8MV*0901716**	TDR&TXV	45,000	0.71	11.50	13.50		
	ED*4X48L**	†	TXV	45,000	0.71	11.00			13.20
	ED*4X48J**	*8MPV100	TDR&TXV	45,000	0.71	11.50	13.50		
	ED*4X48J**	*8MPV125	TDR&TXV	45,000	0.71	11.70	13.50		
	ED*4X48J**	*8MV*1102120**	TDR&TXV	45,000	0.71	11.70	13.50		
	ED*4X48J**	*8MX*0902116**	TDR&TXV	45,000	0.71	11.70	13.50		
	ED*4X48J**	*8MX*1102120**	TDR&TXV	45,000	0.71	11.70	14.00		
	ED*4X48J**	*9MPV100	TDR&TXV	45,000	0.71	11.20	13.20		
	ED*4X48J**	*9MVX080	TDR&TXV	45,500	0.71	11.20	13.20		
	ED*4X48J**	MV16J22**B*	TDR&TXV	45,000	0.71	12.00	14.00		
	ED*4X48L**	*8MV*1352422**	TDR&TXV	45,000	0.71	11.70	14.00		
	ED*4X48L**	*8MX*1352420**	TDR&TXV	45,500	0.71	11.70	13.50		
	ED*4X48L**	*9MPV125	TDR&TXV	45,500	0.71	11.50	13.50		
	ED*4X48L**	*9MVX100	TDR&TXV	45,000	0.71	11.50	13.50		
	ED*4X48L**	MV20L24**B*	TDR&TXV	45,500	0.71	12.00	14.00		
	ED*4X48L**	OLV154F20A	TDR&TXV	46,000	0.71	11.20	13.20		
	ED*4X48L**	†	TXV	46,000	0.71	11.00			13.20
	ED*4X60J**	*8MPV100	TDR&TXV	46,000	0.71	11.70	14.00		
	ED*4X60J**	*8MPV125	TDR&TXV	46,000	0.71	12.00	14.00		
	ED*4X60J**	*8MV*1102120**	TDR&TXV	46,000	0.71	12.00	14.00		
	ED*4X60J**	*8MX*0902116**	TDR&TXV	46,000	0.71	12.00	14.00		
	ED*4X60J**	*8MX*1102120**	TDR&TXV	46,000	0.71	12.00	14.00		
	ED*4X60J**	*9MPV100	TDR&TXV	46,000	0.71	11.70	13.50		
	ED*4X60J**	*9MVX080	TDR&TXV	46,500	0.71	11.70	13.50		
	ED*4X60J**	MV16J22**B*	TDR&TXV	46,000	0.71	12.20	14.50		
	ED*4X60J**	OLV112A16A	TDR&TXV	46,000	0.71	11.20	13.20		
	ED*4X60J**	†	TXV	46,000	0.71	11.20			13.20
	ED*4X60L**	*8MV*1352422**	TDR&TXV	46,000	0.71	12.00	14.00		
	ED*4X60L**	*8MX*1352420**	TDR&TXV	46,000	0.71	12.00	14.00		
	ED*4X60L**	*9MPV125	TDR&TXV	46,500	0.71	11.70	13.50		
	ED*4X60L**	*9MVX100	TDR&TXV	46,000	0.71	11.70	13.50		
	ED*4X60L**	MV20L24**B*	TDR&TXV	46,500	0.71	12.20	14.50		
ED*4X60L**	OLV112A16A	TDR&TXV	46,000	0.71	11.20	13.20			
ED*4X60L**	OLV154F20A	TDR&TXV	46,500	0.71	11.50	13.50			
ED*4X60L**	†	TXV	46,500	0.71	11.20			13.20	
EHD4X48A**	*8MPV100	TDR&TXV	46,000	0.71	11.50	13.50			
EHD4X48A**	*8MPV125	TDR&TXV	46,000	0.71	11.70	13.50			
EHD4X48A**	*9MPV100	TDR&TXV	45,500	0.71	11.20	13.20			
EHD4X48A**	*9MPV125	TDR&TXV	45,500	0.71	11.50	13.50			

2010 ENERGY STAR compliance for combinations with both: SEER 14.00 or higher and EER 12.00 or higher.

† For coils not listed with a matching furnace or blower, coil rating applies with any indoor blower device.

- continued on next page -

**COOLING PERFORMANCE FOR COMBINATION RATINGS (continued) Indoor Models**

For complete ratings information, use the AHRI website directory search: [www.AHRIdirectory.org](http://www.AHRIdirectory.org).  
New ratings may be listed online before Specification Sheets are updated.

Outdoor Model	Current Indoor Model († tested combo)	Furnace Model	Factory Installed	Cooling 95° F (35° C)			SEER		
				BTU/hr	S/T	EER	factory	w/ field TDR	w/ field TXV
N4A348GHB N4A348GLB N4A348GSB (continued)	EHD4X48A**	*9MVX080	TDR&TXV	45,500	0.71	11.20	13.20		
	EHD4X48A**	*9MVX100	TDR&TXV	45,000	0.71	11.50	13.50		
	EHD4X48A**	MV16J22**B*	TDR&TXV	46,000	0.71	12.00	14.00		
	EHD4X48A**	MV20L24**B*	TDR&TXV	46,000	0.71	12.00	14.00		
	EHD4X48A**	OLV154F20A	TDR&TXV	46,000	0.71	11.20	13.20		
	EHD4X48A**	†	TXV	46,000	0.71	11.00		13.20	
	EHD4X60A**	*8MPV100	TDR&TXV	46,500	0.71	11.70	14.00		
	EHD4X60A**	*8MPV125	TDR&TXV	46,500	0.71	12.00	14.00		
	EHD4X60A**	*9MPV100	TDR&TXV	46,500	0.71	11.70	13.50		
	EHD4X60A**	*9MPV125	TDR&TXV	46,500	0.71	11.70	13.50		
	EHD4X60A**	*9MVX080	TDR&TXV	46,500	0.71	11.70	13.50		
	EHD4X60A**	*9MVX100	TDR&TXV	46,000	0.71	11.70	13.50		
	EHD4X60A**	MV16J22**B*	TDR&TXV	46,500	0.71	12.20	14.50		
	EHD4X60A**	MV20L24**B*	TDR&TXV	46,500	0.71	12.20	14.50		
	EHD4X60A**	OLV112A16A	TDR&TXV	46,000	0.71	11.20	13.50		
	EHD4X60A**	OLV154F20A	TDR&TXV	46,500	0.71	11.50	13.50		
	EHD4X60A**	†	TXV	46,500	0.71	11.20		13.20	
	EMA4X48D**	†	TXV	45,000	0.71	11.00		13.20	
	EN(A,D)4X48*24**	*8MV*1352422**	TDR&TXV	45,000	0.71	11.70	14.00		
	EN(A,D)4X48*24**	*8MX*1352420**	TDR&TXV	45,500	0.71	11.70	13.50		
	EN(A,D)4X48*24**	*9MPV100	TDR&TXV	45,500	0.71	11.20	13.20		
	EN(A,D)4X48*24**	*9MPV125	TDR&TXV	45,500	0.71	11.20	13.50		
	EN(A,D)4X48*24**	*9MVX080	TDR&TXV	45,500	0.71	11.20	13.20		
	EN(A,D)4X48*24**	*9MVX100	TDR&TXV	45,500	0.71	11.20	13.50		
	EN(A,D)4X48*24**	OLV112A16A	TDR&TXV	45,000	0.71	11.00	13.20		
	EN(A,D)4X48*24**	OLV154F20A	TDR&TXV	46,000	0.71	11.20	13.20		
	EN(A,D)4X61*24**	*8MPV100	TDR&TXV	46,500	0.71	12.00	14.00		
	EN(A,D)4X61*24**	*8MPV125	TDR&TXV	46,500	0.71	12.00	14.00		
	EN(A,D)4X61*24**	*8MV*1102120**	TDR&TXV	46,000	0.71	12.00	14.00		
	EN(A,D)4X61*24**	*8MV*1352422**	TDR&TXV	46,000	0.71	12.00	14.50		
	EN(A,D)4X61*24**	*8MX*0902116**	TDR&TXV	46,500	0.71	12.00	14.00		
	EN(A,D)4X61*24**	*8MX*1102120**	TDR&TXV	46,500	0.71	12.00	14.50		
	EN(A,D)4X61*24**	*8MX*1352420**	TDR&TXV	46,500	0.71	12.00	14.00		
	EN(A,D)4X61*24**	*9MPV100	TDR&TXV	46,500	0.71	11.50	13.50		
	EN(A,D)4X61*24**	*9MPV125	TDR&TXV	46,500	0.71	11.70	14.00		
	EN(A,D)4X61*24**	*9MVX080	TDR&TXV	46,500	0.71	11.50	13.50		
	EN(A,D)4X61*24**	*9MVX100	TDR&TXV	46,000	0.71	11.70	14.00		
	EN(A,D)4X61*24**	OLV112A16A	TDR&TXV	46,000	0.71	11.20	13.50		
	EN(A,D)4X61*24**	OLV154F20A	TDR&TXV	47,000	0.71	11.70	13.50		
	EN(A,D)4X61*24**	†	TXV	46,500	0.71	11.00		13.00	
	EN(A,D,W)4X48*21**	*8MV*1102120**	TDR&TXV	45,000	0.71	11.70	13.50		
	EN(A,D,W)4X48*21**	*8MX*0902116**	TDR&TXV	45,000	0.71	11.70	13.50		
	EN(A,D,W)4X48*21**	*8MX*1102120**	TDR&TXV	45,000	0.71	11.70	14.00		
	EN(A,D,W)4X48*21**	*9MPV100	TDR&TXV	45,500	0.71	11.20	13.50		
	EN(A,D,W)4X48*21**	*9MVX080	TDR&TXV	45,500	0.71	11.20	13.20		
	EN(A,D,W)4X48*21**	OLV112A16A	TDR&TXV	45,000	0.71	11.00	13.20		
	EN(A,D,W)4X60*24**	*8MV*1352422**	TDR&TXV	46,000	0.71	12.00	14.00		
EN(A,D,W)4X60*24**	*8MX*1352420**	TDR&TXV	46,000	0.71	12.00	14.00			
EN(A,D,W)4X60*24**	*9MPV100	TDR&TXV	46,000	0.71	11.50	13.50			
EN(A,D,W)4X60*24**	*9MPV125	TDR&TXV	46,000	0.71	11.50	13.50			
EN(A,D,W)4X60*24**	*9MVX080	TDR&TXV	46,000	0.71	11.50	13.50			
EN(A,D,W)4X60*24**	*9MVX100	TDR&TXV	46,000	0.71	11.50	13.50			
EN(A,D,W)4X60*24**	OLV112A16A	TDR&TXV	46,000	0.71	11.20	13.20			
EN(A,D,W)4X60*24**	OLV154F20A	TDR&TXV	46,500	0.71	11.50	13.50			
ENH4X48*21**	*8MV*0901716**	TDR&TXV	45,000	0.71	11.70	13.50			
ENH4X48*21**	*8MV*1102120**	TDR&TXV	45,000	0.71	11.70	13.50			
ENH4X48*21**	*8MV*1352422**	TDR&TXV	45,000	0.71	11.70	14.00			
ENH4X48*21**	*8MX*0902116**	TDR&TXV	45,000	0.71	11.70	13.50			
ENH4X48*21**	*8MX*1102120**	TDR&TXV	45,000	0.71	11.70	14.00			
ENH4X48*21**	*8MX*1352420**	TDR&TXV	45,500	0.71	11.70	13.50			

2010 ENERGY STAR compliance for combinations with both: SEER 14.00 or higher and EER 12.00 or higher.

† For coils not listed with a matching furnace or blower, coil rating applies with any indoor blower device.

- continued on next page -

**COOLING PERFORMANCE FOR COMBINATION RATINGS (continued) Indoor Models**

For complete ratings information, use the AHRI website directory search: [www.AHRIdirectory.org](http://www.AHRIdirectory.org).  
New ratings may be listed online before Specification Sheets are updated.

Outdoor Model	Current Indoor Model († tested combo)	Furnace Model	Factory Installed	Cooling 95° F (35° C)			SEER		
				BTU/hr	S/T	EER	factory	w/ field TDR	w/ field TXV
N4A348GHB N4A348GLB N4A348GSB (continued)	ENH4X48*21**	*9MPV100	TDR&TXV	45,500	0.71	11.20	13.50		
	ENH4X48*21**	*9MPV125	TDR&TXV	45,500	0.71	11.20	13.50		
	ENH4X48*21**	*9MVX080	TDR&TXV	45,500	0.71	11.20	13.20		
	ENH4X48*21**	*9MVX100	TDR&TXV	45,500	0.71	11.20	13.50		
	ENH4X48*21**	OLV112A16A	TDR&TXV	45,000	0.71	11.00	13.20		
	ENH4X48*21**	OLV154F20A	TDR&TXV	46,000	0.71	11.20	13.20		
	ENH4X60*24**	*8MV*0901716**	TDR&TXV	46,000	0.71	11.70	14.00		
	ENH4X60*24**	*8MV*1102120**	TDR&TXV	46,000	0.71	12.00	14.00		
	ENH4X60*24**	*8MV*1352422**	TDR&TXV	46,000	0.71	12.00	14.00		
	ENH4X60*24**	*8MX*0902116**	TDR&TXV	46,000	0.71	11.70	14.00		
	ENH4X60*24**	*8MX*1102120**	TDR&TXV	46,000	0.71	12.00	14.00		
	ENH4X60*24**	*8MX*1352420**	TDR&TXV	46,000	0.71	12.00	14.00		
	ENH4X60*24**	*9MPV100	TDR&TXV	46,000	0.71	11.50	13.50		
	ENH4X60*24**	*9MPV125	TDR&TXV	46,000	0.71	11.50	13.50		
	ENH4X60*24**	*9MVX080	TDR&TXV	46,000	0.71	11.50	13.50		
	ENH4X60*24**	*9MVX100	TDR&TXV	46,000	0.71	11.50	13.50		
	ENH4X60*24**	OLV112A16A	TDR&TXV	46,000	0.71	11.20	13.20		
	ENH4X60*24**	OLV154F20A	TDR&TXV	46,500	0.71	11.50	13.50		
	ENH4X61*24**	*8MPV100	TDR&TXV	46,000	0.71	11.50	14.00		
	ENH4X61*24**	*8MPV125	TDR&TXV	46,000	0.71	11.70	14.00		
	ENH4X61*24**	*8MV*0901716**	TDR&TXV	46,000	0.71	11.50	14.00		
	ENH4X61*24**	*8MV*1102120**	TDR&TXV	46,000	0.71	11.70	14.00		
	ENH4X61*24**	*8MV*1352422**	TDR&TXV	46,000	0.71	12.00	14.00		
	ENH4X61*24**	*8MX*0701716**	TDR&TXV	46,000	0.71	11.00	13.00		
	ENH4X61*24**	*8MX*0902116**	TDR&TXV	46,000	0.71	11.70	14.00		
	ENH4X61*24**	*8MX*1102120**	TDR&TXV	46,000	0.71	12.00	14.00		
	ENH4X61*24**	*8MX*1352420**	TDR&TXV	46,000	0.71	12.00	14.00		
	ENH4X61*24**	*9MPV100	TDR&TXV	46,000	0.71	11.50	13.50		
	ENH4X61*24**	*9MPV125	TDR&TXV	46,000	0.71	11.50	13.50		
	ENH4X61*24**	*9MVX080	TDR&TXV	46,000	0.71	11.50	13.50		
	ENH4X61*24**	*9MVX100	TDR&TXV	46,000	0.71	11.50	13.50		
	ENH4X61*24**	OLV112A16A	TDR&TXV	46,000	0.71	11.20	13.20		
	ENH4X61*24**	OLV154F20A	TDR&TXV	46,500	0.71	11.50	13.50		
	ENH4X61*24**	†	TXV	46,000	0.71	11.00		13.00	
	FEM4P48**A*	—	TDR	44,500	0.71	11.00	13.00		
	FEM4P48**A*+TXV	—	TDR	46,000	0.71	11.00			13.50
	FEM4P60**A*	—	TDR	45,500	0.71	11.50	13.50		
	FEM4X48****	—	TDR&TXV	46,500	0.71	11.70	13.50		
	FEM4X60****	—	TDR&TXV	47,500	0.71	12.00	14.00		
	FS(M,U)4P48**A*	—	TDR	45,500	0.71	11.00	13.00		
	FS(M,U)4P48**A*+TXV	—	TDR	46,500	0.71	11.00			13.50
	FS(M,U)4X48****	—	TDR&TXV	45,500	0.71	11.20	13.20		
FS(M,U)4X60****	—	TDR&TXV	46,500	0.71	11.20	13.20			
FVM4X48****	—	TDR&TXV	46,000	0.71	12.00	14.00			
FVM4X60****	—	TDR&TXV	46,500	0.71	12.20	14.50			
FXM4X48**A*	—	TDR&TXV	46,500	0.71	12.00	14.50			
FXM4X60**A*	—	TDR&TXV	47,000	0.71	12.00	14.50			
N4A360GHC N4A360GLC N4A360GSC	†ED*4X60L**	†	TXV	57,500	0.74	11.00		13.00	
	ED*4X60J**	*8MX*1102120**	TDR&TXV	56,500	0.74	11.20	13.20		
	ED*4X60J**	*9MVX080	TDR&TXV	56,000	0.74	11.00	13.00		
	ED*4X60J**	MV16J22**B*	TDR&TXV	57,000	0.74	11.20	13.50		
	ED*4X60J**	†	TXV	57,500	0.74	11.00		13.00	
	ED*4X60L**	*8MV*1352422**	TDR&TXV	56,500	0.74	11.00	13.20		
	ED*4X60L**	MV20L24**B*	TDR&TXV	57,000	0.74	11.20	13.20		
	EHD4X60A**	*9MVX080	TDR&TXV	56,000	0.74	11.00	13.00		
	EHD4X60A**	MV16J22**B*	TDR&TXV	57,500	0.74	11.50	13.50		
	EHD4X60A**	MV20L24**B*	TDR&TXV	57,000	0.74	11.20	13.20		
	EHD4X60A**	†	TXV	57,500	0.74	11.00		13.00	
	EN(A,D)4X61*24**	*8MPV125	TDR&TXV	57,500	0.74	11.00	13.00		
	EN(A,D)4X61*24**	*8MV*1102120**	TDR&TXV	57,500	0.74	11.00	13.20		
	EN(A,D)4X61*24**	*8MV*1352422**	TDR&TXV	57,500	0.74	11.00	13.50		
	EN(A,D)4X61*24**	*8MX*1102120**	TDR&TXV	57,500	0.74	11.00	13.20		
EN(A,D)4X61*24**	*8MX*1352420**	TDR&TXV	57,500	0.74	11.00	13.20			

2010 ENERGY STAR compliance for combinations with both: SEER 14.00 or higher and EER 12.00 or higher.

† For coils not listed with a matching furnace or blower, coil rating applies with any indoor blower device.

- continued on next page -

**COOLING PERFORMANCE FOR COMBINATION RATINGS (continued) Indoor Models**

For complete ratings information, use the AHRI website directory search: [www.AHRIdirectory.org](http://www.AHRIdirectory.org).  
 New ratings may be listed online before Specification Sheets are updated.

Outdoor Model	Current Indoor Model (‡ tested combo)	Furnace Model	Factory Installed	Cooling 95° F (35° C)			SEER		
				BTU/hr	S/T	EER	factory	w/ field TDR	w/ field TXV
N4A360GHC N4A360GLC N4A360GSC (continued)	EN(A,D)4X61*24**	†	TXV	57,500	0.74	11.00		13.00	
	EN(A,D,W)4X60*24**	*8MV*1352422**	TDR&TXV	56,500	0.74	11.20	13.20		
	ENH4X60*24**	*8MV*1352422**	TDR&TXV	56,500	0.74	11.20	13.20		
	ENH4X60*24**	*8MX*1102120**	TDR&TXV	56,500	0.74	11.20	13.20		
	ENH4X61*24**	*8MPV125	TDR&TXV	57,000	0.74	11.00	13.00		
	ENH4X61*24**	*8MV*1102120**	TDR&TXV	57,000	0.74	11.00	13.00		
	ENH4X61*24**	*8MV*1352422**	TDR&TXV	57,000	0.74	11.00	13.20		
	ENH4X61*24**	*8MX*1102120**	TDR&TXV	57,000	0.74	11.00	13.20		
	ENH4X61*24**	*8MX*1352420**	TDR&TXV	57,000	0.74	11.00	13.20		
	ENH4X61*24**	†	TXV	57,000	0.74	11.00		13.00	
	FEM4P60**A*	—	TDR&TXV	55,000	0.74	11.00	13.00		
	FEM4X60****	—	TDR&TXV	57,500	0.74	11.20	13.20		
	FVM4X60****	—	TDR&TXV	57,500	0.74	11.50	13.50		
	FXM4X60**A*	—	TDR&TXV	58,000	0.74	11.00	13.50		

2010 ENERGY STAR compliance for combinations with both: SEER 14.00 or higher and EER 12.00 or higher.

† For coils not listed with a matching furnace or blower, coil rating applies with any indoor blower device.



This product has been designed and manufactured to meet ENERGY STAR criteria for energy efficiency when matched with appropriate coil components. However, proper refrigerant charge and proper air flow are critical to achieve rated capacity and efficiency. Installation of this product should follow the manufacturer's refrigerant charging and air flow instructions. Failure to confirm proper charge and airflow may reduce energy efficiency and shorten equipment life.

ACCESSORY USAGE GUIDELINES		
Accessory	REQUIRED FOR LOW-AMBIENT APPLICATIONS {Below 55°F (13°C)}	REQUIRED FOR LONG LINE APPLICATIONS* {Over 80 Ft. (24.4m)}
Crankcase Heater	Yes	Yes
Evaporator Freeze Thermostat	Yes	No
Winter Start Control	Yes **	No
Low Ambient Kit (Pressure Switch)	Yes	No
Support Feet, 4" (102mm) tall	Recommended	No
Liquid Line Solenoid Valve	No	See Long Line Application Guideline

\* For Line Set lengths between 80 and 200 ft (24.4 and 61m) horizontal, or more than 20 ft (6.1m) indoor-outdoor vertical separation, refer to the Long Line Application Guideline document.

\*\* Can only be installed in conjunction with Low Pressure Switch.

ACCESSORIES		
Part Number	Description	Used On Model Size
NASA003CH	Crankcase Heater for Scroll Compressor (208/230 V)	30, 36
NASA001CH	Crankcase Heater for Scroll Compressor (208/230 V)	42, 48, 60
NASA004CH	Crankcase Heater for Scroll Compressor (460 V)	36
NASA00301CH	Crankcase Heater for Scroll Compressor (460 V)	42, 48, 60
NASA00701CH	Crankcase Heater for Scroll Compressor (575 V)	36
NASA00801CH	Crankcase Heater for Scroll Compressor (575 V)	48, 60
NASA001FS	Evaporator Freeze Thermostat	ALL
NASA403PS* (replaces NASA401PS)	Low Pressure Switch, AC, R-410A	ALL
NASA404PS* (replaces NASA402PS)	High Pressure Switch, AC, R-410A	ALL
NASA401LS	Liquid Line Solenoid Valve, R-410A	ALL
NASA001TD	Time Delay Relay, Indoor Blower	ALL
NASA001WS	Winter Start Control	ALL
NASA001AC	Anti-Cycle Timer (5 minute delay)	ALL
NASA401LA	Low Ambient Kit (Pressure Switch)	ALL
NASA001SF	Support Feet, 4" (102mm) tall	ALL
NASA001SJ	Sound Jacket, Compressor	30, 36, 42, 48
NASA003SJ	Sound Jacket, Compressor	60
EBAC05TXVX	TXV Kit, R-410A - 2005-2009 R-22 TXV Fancoils (air handlers)	30
EBAC06TXVX	TXV Kit, R-410A - 2005-2009 R-22 TXV Fancoils (air handlers)	36, 42
EBAC07TXVX	TXV Kit, R-410A - 2005-2009 R-22 TXV Fancoils (air handlers)	48, 60
NAEA40501TX	TXV Kit, R-410A - 2010 and later Piston Coils	30
NAEA40601TX	TXV Kit, R-410A - 2010 and later Piston Coils	36, 42
NAEA40701TX	TXV Kit, R-410A - 2010 and later Piston Coils	48, 60

International Comfort Products, LLC  
 Lewisburg, Tennessee 37091 USA  
[www.GoTempstar.com](http://www.GoTempstar.com)