

Freedom Air

AHXW3 Product Specifications

FAN COILS

ALL MODELS

- Air Conditioning or Heat Pump ready
- 2, 3, 4, and 5 tons
- Available for R-22 with factory installed thermal expansion valve
- R-410A TXV accessory available
- Copper tube / aluminum fin coil
- Sweat connections
- Primary and secondary drain fittings
- Multiple electrical entry locations
- Time delay relay (TDR)
- 115V/1 phase/60 Hz supply voltage
- PSC 3-speed motor on all models
- Ships in upflow and horizontal left configuration
- Easily field converted to horizontal right
- 1" throwaway filter standard, accepts standard air filters

Hot Water Heat

- Hot water heat coil installed
- Condensing unit lock out switch installed
- Freeze protection switch installed that can energize an external pump (pump not included)

Warranty

- 5-year parts and coil Warranty

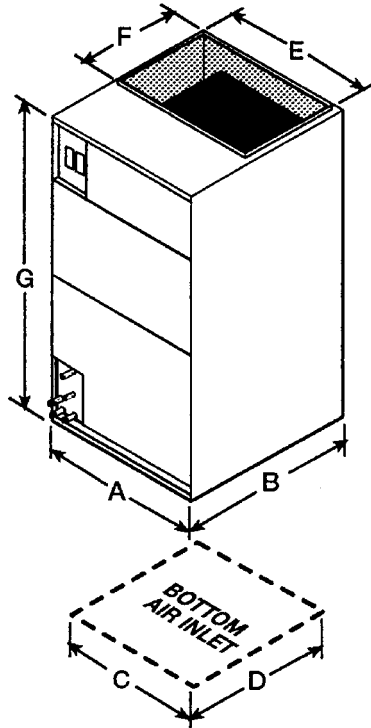


Rated in accordance with ARI Standard 210 and/or 240. Certification applies only when used with proper components as listed with ARI.

Model Series	Model Size	Tons	Nom. CFM	Dimensions H x W x D (in.)	Filter Size (in.)	Ship Wt
AHXW3	2400	2	800	39 ³ / ₄ x 17 ¹ / ₂ x 21	16 x 20 x 1	144 lbs
	3600	3	1200	49 ³ / ₄ x 21 ¹ / ₂ x 25	20 x 25 x 1	192 lbs
	4800	4	1600	49 ³ / ₄ x 21 ¹ / ₂ x 25	20 x 25 x 1	192 lbs
	6000	5	2000	49 ³ / ₄ x 21 ¹ / ₂ x 25	20 x 25 x 1	192 lbs

Distributed by ICP under the Freedom Air brand name

CLEARANCE AND UNIT DIMENSIONS



REQUIRED CLEARANCES (inches)

All Models	All Sides	0
	Serviceability from the front	30
	From Supply Duct	0

DIMENSIONAL DATA

Model	Size (tons)	all dimensions inches											Coil Type	Ship. Weight (lbs)
		A	B	C	D	E	F	G	Hot Water Coil		Liquid O.D.*	Suction O.D.*		
									I.D.*	O.D.*				
AHXW32400	2	17 ¹ / ₂	21	15	17 ¹ / ₂	16	12 ⁵ / ₈	39 ³ / ₄	3/4	7/8	3/8	3/4	"A"	144
AHXW33600	3	21 ¹ / ₂	25	19 ¹ / ₄	22 ¹ / ₄	19 ⁵ / ₈	17 ¹ / ₄	49 ³ / ₄	3/4	7/8	3/8	3/4	"A"	192
AHXW34800	4	21 ¹ / ₂	25	19 ¹ / ₄	22 ¹ / ₄	19 ⁵ / ₈	17 ¹ / ₄	49 ³ / ₄	3/4	7/8	3/8	7/8	"A"	192
AHXW36000	5	21 ¹ / ₂	25	19 ¹ / ₄	22 ¹ / ₄	19 ⁵ / ₈	17 ¹ / ₄	49 ³ / ₄	3/4	7/8	3/8	7/8	"A"	192

* Dimensions for copper piping: O.D. is refrigerant tubing and I.D. is plumbing tubing.

PHYSICAL DATA

Model	2400	3600	4800	6000
TXV factory installed				
15% bleed port, bi-flow type for heat pump application TXV	All Models			
Blower Data				
CFM (nominal @ .2 in/wc ESP)	800	1310	1740	1900
Motor type (115V)	PSC (Permanent Split Capacitor)			
FLA	3.2	6.2	9.5	9.7
HP	1/4	1/3	3/4	3/4

PRODUCT SPECIFICATIONS
Fan Coils: AHXW3

HEATING PERFORMANCE DATA									
Model	Heating Nominal SCFM / speed	Heating Capacities @ Entering Water Temperatures						GPM	P.D. Ft. Water
		130 °F	140 °F	150 °F	160 °F	170 °F	180 °F		
AHXW324	800 / H	23,000	26,000	30,300	33,900	37,600	41,200	4.0	1.9
AHXW336	1170 / L	45,000	50,000	60,000	67,000	74,800	82,000	4.0	1.4
AHXW348	1740 / H	59,000	67,000	78,000	88,000	97,000	107,000	4.0	0.8
AHXW360	1900 / H	69,000	80,000	91,000	102,500	113,500	125,000	7.0	2.5

GENERAL SPECIFICATIONS DATA				
Model Number	Blower	Nominal SCFM @ .20 in/wc ESP	Nominal Heating BTUH	Cooling Capacity (Tons)
AHXW32400	10 x 6	800	20 – 33,000	1.5 – 2.0
AHXW33600	10 X 8	1330	41 – 50,000	3.0 – 3.5
AHXW34800	11 X 9	1740	43 – 67,000	3.0 – 4.0
AHXW36000	11 X 11	2000	62 – 80,000	5.0
Refrigerant Line Connections (sweat)				
Liquid (inch)	3/8	3/8	3/8	3/8
Suction (inch)	3/4	3/4	7/8	7/8

AIRFLOW PERFORMANCE - CFM at a given Speed and Static reading						
Model Number	Blower Speed	Measured Static Pressure, inlet to outlet (in/wc)				
		0.10	0.20	0.30	0.40	0.50
AHXW32400	High	850	800	760	720	680
	Medium	825	775	715	690	670
	Low	780	715	655	630	--
AHXW33600	High	1360	1310	1270	1230	1190
	Medium	1340	1250	1170	1090	1060
	Low	1280	1170	1040	970	--
AHXW34800	High	1860	1740	1640	1530	1480
	Medium	1780	1620	1510	1390	1280
	Low	1680	1500	1320	1250	--
AHXW36000	High	1950	1900	1845	1770	1720
	Medium	1820	1750	1620	1470	1440
	Low	1750	1640	1390	1270	--

Notes: (1) Based upon unit with nominal tonnage dry coil and filter installed.
(2) Use .96 as approximate SCFM correction factor for wet coil.
(3) Not recommended for use above .50" in/wc ESP.

ACCESSORIES		
Description	Part Number	Use with models
TXV R410A conversion for 2 & 3 ton	AHTXV153A	AHXW32400, AHXW33600
TXV R410A conversion for 4 & 5 ton	AHTXV355A	AHXW24800, AHXW36000
Condensate trap	EBAC01CTK	All sizes
Hot Water Pump	HWP0115A	All sizes

PRODUCT SPECIFICATIONS
Fan Coils: AHXW3

COOLING PERFORMANCE FOR COMBINATION RATINGS					
Outdoor Model	Indoor Model	Factory installed	Cooling (95° F)		SEER
			BTU/hr	EER	Factory
N2A318A(G)KA	AHXW32400A	TDR + TXV	17100	11.0	13.0
N2A324A(G)KA	AHXW32400A	TDR + TXV	22800	11.0	13.0
N2A330A(G)KA	AHXW33600A	TDR + TXV	27800	11.0	13.0
N2A336A(G)KA	AHXW33600A	TDR + TXV	33800	11.0	13.0
N2A342A(G)KA	AHXW34800A	TDR + TXV	40500	11.0	13.5
N2A348A(G)KA	AHXW34800A	TDR + TXV	46000	11.0	13.0
N2A360A(G)KA	AHXW36000A	TDR + TXV	57500	11.0	13.0
N4A318A(G)KA	AHXW32400A	TDR + TXV	17400	11.0	13.0
N4A324A(G)KA	AHXW32400A	TDR + TXV	23000	11.0	13.0
N4A330A(G)KA	AHXW33600A	TDR + TXV	28000	11.0	13.0
N4A336A(G)KA	AHXW33600A	TDR + TXV	34000	11.0	13.0
N4A342A(G)KA	AHXW34800A	TDR + TXV	41000	11.0	13.0
N4A348A(G)KA	AHXW34800A	TDR + TXV	46000	11.0	13.0
N4A360A(G)KA	AHXW36000A	TDR + TXV	57500	11.0	13.0
N4A418A(G)KA	AHXW32400A	TDR + TXV	18000	11.5	14.0
N4A424A(G)KA	AHXW32400A	TDR + TXV	23800	11.5	14.0
N4A430A(G)KA	AHXW33600A	TDR + TXV	29000	11.5	14.0
N4A436A(G)KA	AHXW33600A	TDR + TXV	35800	11.5	14.0
N4A442A(G)KA	AHXW34800A	TDR + TXV	40500	11.5	14.0
N4A448A(G)KA	AHXW34800A	TDR + TXV	48000	11.5	14.0
N4A460A(G)KA	AHXW36000A	TDR + TXV	59000	11.5	14.0
*2A318GKA	AHXW32400A	TDR + TXV	17500	11.0	13.0
*2A324GKA	AHXW32400A	TDR + TXV	24000	11.0	13.0
*2A330GKA	AHXW33600A	TDR + TXV	30000	11.0	13.0
*2A336GKA	AHXW33600A	TDR + TXV	36000	11.0	13.0
*2A342GKA	AHXW34800A	TDR + TXV	41500	11.0	13.5
*2A348GKA	AHXW34800A	TDR + TXV	47000	11.0	13.0
*2A360GKA	AHXW36000A	TDR + TXV	57500	11.0	13.0
*4A318GKA	AHXW32400A	TDR + TXV	17400	11.0	13.0
*4A324GKA	AHXW32400A	TDR + TXV	24000	11.0	13.0
*4A330GKA	AHXW33600A	TDR + TXV	29000	11.0	13.0
*4A336GKA	AHXW33600A	TDR + TXV	34800	11.0	13.0
*4A342GKA	AHXW34800A	TDR + TXV	42000	11.0	13.0
*4A348GKA	AHXW34800A	TDR + TXV	47000	11.0	13.0
*4A360GKA	AHXW36000A	TDR + TXV	59500	11.0	13.0
*4A418GKA	AHXW32400A	TDR + TXV	18000	14.0	14.0
*4A424GKA	AHXW32400A	TDR + TXV	23400	14.0	14.0
*4A430GKA	AHXW33600A	TDR + TXV	29400	14.0	14.0
*4A436GKA	AHXW33600A	TDR + TXV	35400	14.0	14.0
*4A442GKA	AHXW34800A	TDR + TXV	41500	14.5	14.0
*4A448GKA	AHXW34800A	TDR + TXV	48000	14.0	14.0
*4A460GKA	AHXW36000A	TDR + TXV	58500	14.0	14.0

* = Brand (T, H, C)