

2 THRU 5 TONS SPLIT SYSTEM FCP / FCX Series

HEIL[®]
HEATING & COOLING PRODUCTS



Representative photo only, some models may vary in appearance.

FEATURES

- Air Conditioning or Heat Pump ready
- Prepainted galvanized steel cabinet
- Internally lined with R3.2, 3/4" Tuf-Skin II insulation
- Electronic control board with quick connect receptacle for electric heat
- Direct drive slide-out blower assembly
- Three speed PSC blower motor
- Blower time delay
- Multiple condensate drain connections, allow choice of location for primary and secondary connections
- Sweat refrigerant connections
- Accepts accessory slip-in electric heaters
- Selected FCP/C models available with factory installed electric heaters
- Accepts accessory two stage outdoor thermostats
- Copper tube / aluminum fin coils
- Refrigerant flow control device

FCP/C MODEL FEATURES

- Factory installed orifice pin A-coil
- Ships in upflow configuration
- Horizontal left and right airflow with accessory drain pan
- Includes Electric Heat Adapter Plates

FCP/D MODEL FEATURES

- Factory installed orifice pin A-coil
- Ships in upflow configuration and Horizontal left airflow
- Horizontal right airflow with simple conversion
- Ships with No Heat Kit installed

FCX MODEL FEATURES

- Factory installed expansion valve A-coil
- Ships in upflow or horizontal left configuration
- Horizontal right airflow with simple conversion

Accessory Heater

- UL listed for sale in U.S.A. and Canada
- Easy to install with simple plug in connection to Air Handler
- Designed for 208/240 Volt
- Single & Three phase models
- 5, 7.5 and 10 nominal KW models available with lug terminals
- 5, 7.5, 10, 15, 20, 25 and 30 nominal KW models available with Circuit Breakers
- Auto-reset high temperature limits



Rated in accordance with ARI Standard 210. Certification applies only when used with proper components as listed with ARI.

International Comfort Products Corporation (USA)
651 Heil-Quaker Ave.
Lewisburg, Tennessee 37091

RESIDENTIAL AND COMMERCIAL SYSTEMS • SPLIT SYSTEMS • PACKAGED AIR CONDITIONERS • COMBINATION GAS / ELECTRIC UNITS • HEAT PUMPS • AIR HANDLERS • MANUFACTURED HOME AIR CONDITIONERS • GAS, OIL AND ELECTRIC FURNACES

UNIT SPECIFICATIONS - BLOWER COILS

Model Number		FCP2400C/D FCX2400C	FCP3000C/D	FCP3600C/D FCX3600C	FCP4200C/D	FCP4800C/D FCX4800C	FCP6000C/D FCX6000C	
Application		Upflow / Horizontal *						
Electrical	Volts-Phase-Hz.	208 / 230 - 1 - 60						
Data **	Minimum Circuit Ampacity	7.5	7.5	7.5	7.5	7.5	7.5	
	Time Delay Fuse (Amps)	15						
	Maximum Fuse or Breaker Size (Amps)	15						
Blower	Size	DD9 - 7	DD10 - 7	DD10 - 8	DD10 - 8	DD10 - 9	DD10 - 9	
Data	Horsepower - Speed	1/4 - 3	1/3 - 3	1/3 - 3	1/2 - 3	1/2 - 3	3/4 - 3	
	Full Load / Lock Rotor Amps	2.2 / 4.1	3.1 / 5.6	3.1 / 5.6	4.0 / 6.8	4.0 / 6.8	6.0 / 13.2	
Refrigerant	Liquid (O.D.) Size (In.)	5/16			3/8		3/8	
	Suction (O.D.) Size (In.)	3/4			7/8		7/8	
	Factory Charge R - 22 (oz.)	Holding						
	Indoor Coil Orifice Size (In.) FCP Only	.059	.065	.072	.078	.079	.089	
Condensate Drains (In.)		3/4" NPT						
Transformer		40 VA						
Washable Air Filter Size, 1" Thick (In.)	FCP	14- ¹ / ₄ X 20- ¹ / ₄	14- ¹ / ₄ X 20- ¹ / ₄	17- ³ / ₄ X 20- ¹ / ₄	17- ³ / ₄ X 20- ¹ / ₄	21- ¹ / ₄ X 20- ¹ / ₄	24- ³ / ₄ X 20- ¹ / ₄	
	FCX	14- ¹ / ₄ X 20- ¹ / ₄	--	17- ³ / ₄ X 20- ¹ / ₄	--	24- ³ / ₄ X 20- ¹ / ₄	24- ³ / ₄ X 20- ¹ / ₄	
Disposable Air Filter Size, 1" Thick (In.)	FCP	14 X 20	14 X 20	18 X 20	18 X 20	22 X 20	25 X 20	
	FCX	14 X 20	--	18 X 20	--	25 X 20	25 X 20	
Weight	Shipping / Net (Lbs.)	FCP	83 / 90	89 / 96	98 / 105	107 / 114	129 / 138	143 / 153
Weight	Shipping / Net (Lbs.)	FCX	95 / 102	--	111 / 118	--	145 / 155	160 / 170

* Horizontal Drain Pan Kit required for FCP/C models ** Disregard if electric heat is added. Refer to Electric Heat table.

UNIT SPECIFICATIONS - Using No Heat Kit

No Heat Model	Supply Circuit			Supply Circuit No.	Maximum Motor AMPS.	Total AMPS.	Branch Circuit Ampacity	Maximum Overcurrent Protective Device (AMPS.)	Recommended				
									Supply Wire 75 ° C. Copper			Ground Wire	
	Volts	Phase	Hertz						No.	Size	Max. Length (Ft)	No.	Size
AMF001NH	240	1	60	Single	6.0	6.0	7.5	15	2	14	104	1	14
	208	1	60	Single	6.0	6.0	7.5	15	2	14	90	1	14

UNIT SPECIFICATIONS - Blower Coils - With Factory Installed Heaters (Build to Order Only)

**The following models are available on a build to order basis. Check with factory for lead times.
Use the base specifications for corresponding models for the blower and KW rating of the heater.**

FCP2405C	AMFK05AHA INSTALLED IN FCP2400C
FCP2407C	AMFK07AHA INSTALLED IN FRP2400C
FCP2410C	AMFK10AHA INSTALLED IN FCP2400C
FCP3005C	AMFK05AHA INSTALLED IN FCP3000C
FCP3007C	AMFK07AHA INSTALLED IN FRP3000C
FCP3010C	AMFK10AHA INSTALLED IN FCP3000C
FCP3605C	AMFK05AHA INSTALLED IN FCP3600C
FCP3607C	AMFK07AHA INSTALLED IN FCP3600C
FCP3610C	AMFK10AHA INSTALLED IN FCP3600C
FCP4205C	AMFK05AHA INSTALLED IN FCP4200C
FCP4207C	AMFK07AHA INSTALLED IN FCP4200C
FCP4210C	AMFK10AHA INSTALLED IN FCP4200C
FCP4807C	AMFK07AHA INSTALLED IN FCP4800C
FCP4810C	AMFK10AHA INSTALLED IN FCP4800C
FCP6010C	AMFK10AHA INSTALLED IN FCP6000C

Airflow Based on dry coil, no filter, no electric heat. Deduct heater static shown in heater static table. Deduct filter static shown in filter static table. Deduct .05 for wet coil. Deduct .10 When Horizontal Drain Pan is left in place(FCP/B) or Kit is installed (FCP/A) only.

FCP24		SP IN. WG.						
SPEED	VOLTAGE	0.1	0.2	0.3	0.4	0.5	0.6	0.7
LOW	230V	743	743	739	715	671	601	510
	208V	561	561	561	560	544	512	459
MED	230V	972	942	897	851	773	686	593
	208V	789	789	787	775	737	656	569
HIGH	230V	1108	1052	992	936	859	765	653
	208V	1027	1027	974	910	836	751	651

FCP60		SP IN. WG.						
SPEED	VOLTAGE	0.1	0.2	0.3	0.4	0.5	0.6	0.7
LOW	230V	1643	1671	1670	1650	1607	1549	1474
	208V	1337	1355	1369	1373	1360	1332	1282
MED	230V	2059	2023	1974	1910	1827	1739	1635
	208V	1735	1738	1728	1688	1636	1574	1483
HIGH	230V	2453	2369	2272	2165	2056	1933	1813
	208V	2339	2259	2167	2073	1971	1862	1741

FCP30		SP IN. WG.						
SPEED	VOLTAGE	0.1	0.2	0.3	0.4	0.5	0.6	0.7
LOW	230V	1104	1069	1028	976	926	851	784
	208V	940	908	870	832	780	723	666
MED	230V	1327	1277	1222	1161	1087	1022	940
	208V	1192	1153	1108	1049	989	930	834
HIGH	230V	1457	1396	1333	1267	1184	1107	1032
	208V	1378	1316	1260	1192	1117	1055	968

FCX24		SP IN. WG.						
SPEED	VOLTAGE	0.1	0.2	0.3	0.4	0.5	0.6	0.7
LOW	230V	737	723	682	627	559	475	333
	208V	586	571	549	514	466	394	280
MED	230V	943	896	832	752	668	560	443
	208V	798	778	731	672	598	510	388
HIGH	230V	1092	1023	946	849	753	632	515
	208V	1015	955	888	800	704	596	489

FCP36		SP IN. WG.						
SPEED	VOLTAGE	0.1	0.2	0.3	0.4	0.5	0.6	0.7
LOW	230V	1111	1089	1059	1027	985	927	860
	208V	924	908	877	851	801	748	698
MED	230V	1415	1382	1341	1291	1232	1170	1092
	208V	1209	1185	1154	1120	1069	1019	937
HIGH	230V	1668	1611	1556	1486	1410	1330	1237
	208V	1494	1456	1410	1352	1283	1209	1130

FCX36		SP IN. WG.						
SPEED	VOLTAGE	0.1	0.2	0.3	0.4	0.5	0.6	0.7
LOW	230V	1069	1039	1004	956	898	825	740
	208V	898	861	827	785	730	675	599
MED	230V	1347	1302	1249	1187	1121	1041	946
	208V	1170	1129	1095	1037	975	909	817
HIGH	230V	1572	1504	1437	1362	1279	1186	1076
	208V	1423	1368	1313	1246	1176	1075	986

FCP42		SP IN. WG.						
SPEED	VOLTAGE	0.1	0.2	0.3	0.4	0.5	0.6	0.7
LOW	230V	1132	1129	1128	1105	1072	1026	944
	208V	929	926	922	908	886	841	802
MED	230V	1520	1489	1449	1400	1338	1269	1192
	208V	1279	1272	1255	1228	1187	1135	1055
HIGH	230V	1769	1711	1645	1569	1490	1406	1313
	208V	1618	1575	1524	1465	1402	1325	1239

FCX48		SP IN. WG.						
SPEED	VOLTAGE	0.1	0.2	0.3	0.4	0.5	0.6	0.7
LOW	230V	1105	1093	1079	1066	1036	982	917
	208V	909	897	887	871	845	814	757
MED	230V	1501	1485	1456	1412	1358	1287	1196
	208V	1255	1243	1223	1206	1177	1127	1056
HIGH	230V	1870	1821	1758	1694	1598	1502	1390
	208V	1615	1597	1555	1509	1462	1386	1270

FCP48		SP IN. WG.						
SPEED	VOLTAGE	0.1	0.2	0.3	0.4	0.5	0.6	0.7
LOW	230V	1120	1113	1107	1094	1076	1045	1004
	208V	913	903	889	876	865	845	810
MED	230V	1538	1531	1511	1479	1435	1380	1301
	208V	1257	1266	1256	1242	1215	1174	1122
HIGH	230V	1922	1877	1818	1751	1679	1590	1481
	208V	1653	1643	1617	1571	1517	1444	1366

FCX60		SP IN. WG.						
SPEED	VOLTAGE	0.1	0.2	0.3	0.4	0.5	0.6	0.7
LOW	230V	1658	1642	1605	1543	1474	1393	1291
	208V	1370	1371	1358	1337	1291	1236	1150
MED	230V	1966	1905	1829	1740	1641	1527	1405
	208V	1733	1696	1645	1581	1502	1414	1310
HIGH	230V	2239	2137	2029	1916	1806	1683	1543
	208V	2141	2047	1952	1849	1739	1620	1495

FILTER STATIC PRESSURE DROP										
MODEL	*WASHABLE FILTER SIZE	DISPOSABLE FILTER SIZE	CFM							
			600	800	1000	1200	1400	1600	1800	2000
FCP24 / FCX24 / FCP30	14 1/4 X 20 1/4	14 X 20	0.05	0.09	0.13	0.19	---	---	---	---
FCP36 / FCX36 / FCP42	17 3/4 X 20 1/4	18 X 20	----	----	0.09	0.12	0.17	0.22	---	---
FCP48	21 1/4 X 20 1/4	22 X 20	----	----	---	---	0.12	0.15	0.19	---
FCX48 / FCP60 / FCX60	24 3/4 X 20 1/4	25 X 20	----	----	---	---	0.09	0.11	0.14	0.18

ELECTRICAL HEATER DATA TABLE - Single Phase

Heater Model	Supply Voltage	Nomi- Heating BTUH	Heat- KW	KW Per Element	Supply Circuit No.	Heater KW Per Circuit	Heater AMPS.	Maxi- Motor AMPS.	Total AMP	Branch Circuit Ampacity	Maximum Overcurrent Protective Device (AMPS.)	Recommended				
												Supply Wire 75 ° C. Copper			Ground Wire	
												No.	Size	Max. Length (Ft)	No.	Size
AMFK05AH	240	16,832	4.8	4.8	Single	4.8	20.0	6.0	26.0	32.5	35	2	10	61	1	10
	208	12,287	3.6	3.6	Single	3.6	17.3	6.0	23.3	29.2	30	2	10	59	1	10
AMFK07AH	240	24573	7.2	3.6	Single	7.2	30.0	6.0	36.0	45.0	45	2	8	70	1	10
	208	18430	5.4	2.7	Single	5.4	26.0	6.0	32.0	40.0	40	2	8	68	1	10
AMFK10AH	240	32,765	9.6	4.8	Single	9.6	40.0	6.0	46.0	57.5	60	2	6	85	1	10
	208	24,574	7.2	3.6	Single	7.2	34.7	6.0	40.7	50.8	60	2	6	83	1	10
AMFK14AH AMFK15AH	240	49,147	14.4	4.8	Single	14.4	60.0	6.0	66.0	82.5	90	2	4	94	1	8
					Mult. 1	9.6	40.0	6.0	46.0	57.5	60	2	6	50	1	10
					Mult. 2	4.8	20.0	0.0	20.0	25.0	25	2	12		1	10
	208	36,860	10.8	3.6	Single	10.8	52.0	6.0	58.0	72.5	80	2	4	93	1	8
					Mult. 1	7.2	34.7	6.0	40.7	50.8	60	2	6	50	1	10
					Mult. 2	3.6	17.3	0.0	17.3	21.7	25	2	12		1	10
AMFK20AH	240	65,530	19.2	4.8	Single	19.2	80.0	6.0	86.0	107.5	110	2	2	115	1	6
					Mult. 1	9.6	40.0	6.0	46.0	57.5	60	2	6	63	1	10
					Mult. 2	9.6	40.0	0.0	40.0	50.0	50	2	8		1	10
	208	49,147	14.4	3.6	Single	14.4	69.3	6.0	75.3	94.2	100	2	3	90	1	8
					Mult. 1	7.2	34.7	6.0	40.7	50.8	60	2	6	63	1	10
					Mult. 2	7.2	34.7	0.0	34.7	43.3	45	2	8		1	10
AMFK25AH	240	81912	24.0	4.8	Single	24.0	100.0	6.0	106.0	132.5	150	2	1 / 0	148	1	6
					Mult. 1	9.6	40.0	6.0	46.0	57.5	60	2	6	50	1	10
					Mult. 2	9.6	40.0	0.0	40.0	50.0	50	2	8		1	10
	208	61,434	18.0	3.6	Single	18.0	75.1	6.0	81.1	101.4	110	2	2	106	1	6
					Mult. 1	7.2	34.7	6.0	40.7	50.8	60	2	6	50	1	10
					Mult. 2	7.2	34.7	0.0	34.7	43.3	45	2	8		1	10
AMFK30AH	240	98,294	28.8	4.8	Single	28.8	120.0	6.0	126.0	157.5	175	2	2 / 0	158	1	6
					Mult. 1	9.6	40.0	6.0	46.0	57.5	60	2	6	63	1	10
					Mult. 2	9.6	40.0	0.0	40.0	50.0	50	2	8		1	10
	208	73,721	21.6	3.6	Single	21.6	90.1	6.0	96.1	120.2	125	2	1	112	1	6
					Mult. 1	7.2	34.7	6.0	40.7	50.8	60	2	6	63	1	10
					Mult. 2	7.2	34.7	0.0	34.7	43.3	45	2	8		1	10
					Mult. 3	7.2	34.7	0.0	34.7	43.3	45	2	8		1	10

ELECTRICAL HEATER DATA TABLE - Three Phase

Heater Model	Supply Voltage	Nomi-Heating BTUH	Heat-KW	KW Per Element	Supply Circuit No.	Heater KW Per Circuit	Heater AMPS.	Max Motor AMPS.	Total AMP	Branch Circuit Ampacity	Maximum Overcurrent Protective Device (AMPS.)	Recommended					
												Supply Wire 75 ° C. Copper			Ground Wire		
												No.	Size	Max. Length (Ft)	No.	Size	
AMFH10AH	240	32,765	9.6	3.2	Single	9.6	23.1	6.0	29.1	36.4	40	3	8	100	1	10	
	208	24,574	7.2	2.4	Single	7.2	20.0	6.0	26.0	32.5	35	3	10	61	1	10	
AMFH15AH	240	49,147	14.4	4.8	Single	14.4	34.6	6.0	40.6	50.8	60	3	6	111	1	10	
	208	36,860	10.8	3.6	Single	10.8	30.0	6.0	36.0	45.0	50	3	8	70	1	10	
AMFH20AH	240	65,530	19.2	3.2	Single	19.2	46.2	6.0	52.2	65.2	70	3	4	138	1	8	
					Mult. 1	9.6	23.1	6.0	29.1	36.4	40	3	8	79	1	10	
					Mult. 2	9.6	23.1	0.0	23.1	28.9	30	3	10	1	10		
	208	49,147	14.4	2.4	Single	14.4	40.0	6.0	46.0	57.5	60	3	6	85	1	10	
					Mult. 1	7.2	17.3	6.0	23.3	29.2	30	3	10	57	1	10	
					Mult. 2	7.2	17.3	0.0	17.3	21.7	25	3	12	1	10		

NOTE: Branch circuit ampacity based on heater installed in 5 ton blower. Consult rating plate data for actual motor amps to determine required branch circuit and wire size.

ELECTRICAL HEATER STATIC TABLE

CFM	HEATER KW / STATIC DROP							
	5	7.5	10	15	20	25	30	
600	.01	.01	.01					
800	.01	.01	.01	.01				
1000	.01	.01	.01	.01	.02			
1100	.01	.01	.01	.02	.02			
1200	.01	.01	.01	.02	.02			
1300	.01	.02	.02	.02	.02			
1400	.01	.02	.02	.02	.03	.03		
1500	.01	.02	.02	.02	.03	.04		
1600	.01	.02	.02	.03	.03	.04	.04	
1700	.01	.02	.02	.03	.03	.04	.05	
1800	.01	.02	.02	.03	.04	.04	.05	
1900	.01	.02	.02	.03	.04	.05	.06	
2000	.01	.02	.02	.03	.04	.05	.06	
DO NOT OPERATE IN THIS AREA CFM / KW LIMIT EXCEEDED								

Deduct heater static shown in heater static table. See Airflow data.

FILTER STATIC PRESSURE DROP

MODEL	*WASHABLE FILTER SIZE	DISPOSABLE FILTER SIZE	CFM							
			600	800	1000	1200	1400	1600	1800	2000
FCP24 / FCX24 / FCP30	14 1/4 X 20 1/4	14 X 20	0.05	0.09	0.13	0.19	---	---	---	---
FCP36 / FCX36 / FCP42	17 3/4 X 20 1/4	18 X 20	----	----	0.09	0.12	0.17	0.22	---	---
FCP48	21 1/4 X 20 1/4	22 X 20	----	----	---	---	0.12	0.15	0.19	---
FCX48 / FCP60 / FCX60	24 3/4 X 20 1/4	25 X 20	----	----	---	---	0.09	0.11	0.14	0.18

HEATER STAGING

HEATER MODEL	VOLTAGE	TOTAL HEAT		1st STAGE (W1)		2nd STAGE (W2)	
		208V	240V	208V	240V	208V	240V
AMFK05AH	208-240/1/60	3.6	4.8	3.6	4.8	-	-
AMFK07AH	208-240/1/60	5.4	7.2	2.7	3.6	2.7	3.6
AMFK10AH	208-240/1/60	7.2	9.6	3.6	4.8	3.6	4.8
AMFK14AH	208-240/1/60	10.8	14.4	7.2	9.6	3.6	4.8
AMFK20AH	208-240/1/60	14.4	19.2	7.2	9.6	7.2	9.6
AMFK25AH	208-240/1/60	18.0	24.0	7.2	9.6	10.8	14.4
AMFK30AH	208-240/1/60	21.6	28.8	7.2	9.6	14.4	19.2
AMFH10AH	208-240/3/60	7.2	9.6	7.2	9.6	-	-
AMFH15AH	208-240/3/60	10.8	14.4	10.8	14.4	-	-
AMFH20AH	208-240/3/60	14.4	19.2	7.2	9.6	7.2	9.6
AMFH25AH	208-240/3/60	18.0	24.0	9.0	12.0	9.0	12.0
AMFH30AH	208-240/3/60	21.6	28.8	10.8	14.4	10.8	14.4

ACCESSORIES

Model	Description	Use With
AMF001NHA	No Heat Kit	2 - 5 Ton (FCP/C, FCX)
AMFK05AHA* AMFK05AHB	5 KW Single Phase	2 - 5 Ton
AMFK07AHA* AMFK07AHB	7 1/2 KW Single Phase	2 - 5 Ton
AMFK10AHA* AMFK10AHB	10 KW Single Phase	2 - 5 Ton
AMFK14AHB	15 KW Single Phase	2 - 5 Ton
AMFK20AHB	20 KW Single Phase	3 - 5 Ton
AMFK25AHB	25 KW Single Phase	4 - 5 Ton
AMFK30AHB	30 KW Single Phase	4 - 5 Ton
AMFK20SPA	Single Point Wiring Kit	3 - 5 Ton, 15-20 KW
AMFK30SPA	Single Point Wiring Kit	4 - 5 Ton, 25-30 KW
AMFH10AHB	10 KW Three Phase	3 - 5 Ton

Model	Description	Use With
AMFH15AHB	15 KW Three Phase	3 - 5 Ton
AMFH20AHB	20 KW Three Phase	4 - 5 Ton
AMFH25AHB	25 KW Three Phase	4 - 5 Ton
AMFH30AHB	30 KW Three Phase	4 - 5 Ton
AMF002OTA	2 Stage Outdoor Thermostat	7.5KW & Above
AMF001DPA	Horizontal Drain Pan Kit	2 - 3 1/2 Ton (FCP/C)
AMF002DPA	Horizontal Drain Pan Kit	4 - 5 Ton (FCP/C)
AMF015WFA	Washable Filter	2 - 2 1/2 Ton
AMF019WFA	Washable Filter	3 - 3 1/2 Ton
AMF022WFA	Washable Filter	4 Ton (FCP)
AMF026WFA	Washable Filter	5 Ton (FCP) 4-5 Ton (FCX)
AMF153TKA	TXV Kit	2 - 3 Ton (FCP)
AMF355TKA	TXV Kit	3 1/2 - 5 Ton (FCP)
991085301 *	Door Kit	AMFK14AHB Heater installed in 24 / 30 A1 or B1 Models Only

* AHA Models are Non-Breaker models

* Obtain thru Service Parts

MODEL NUMBER IDENTIFICATION

ACCESSORY MODEL GUIDE

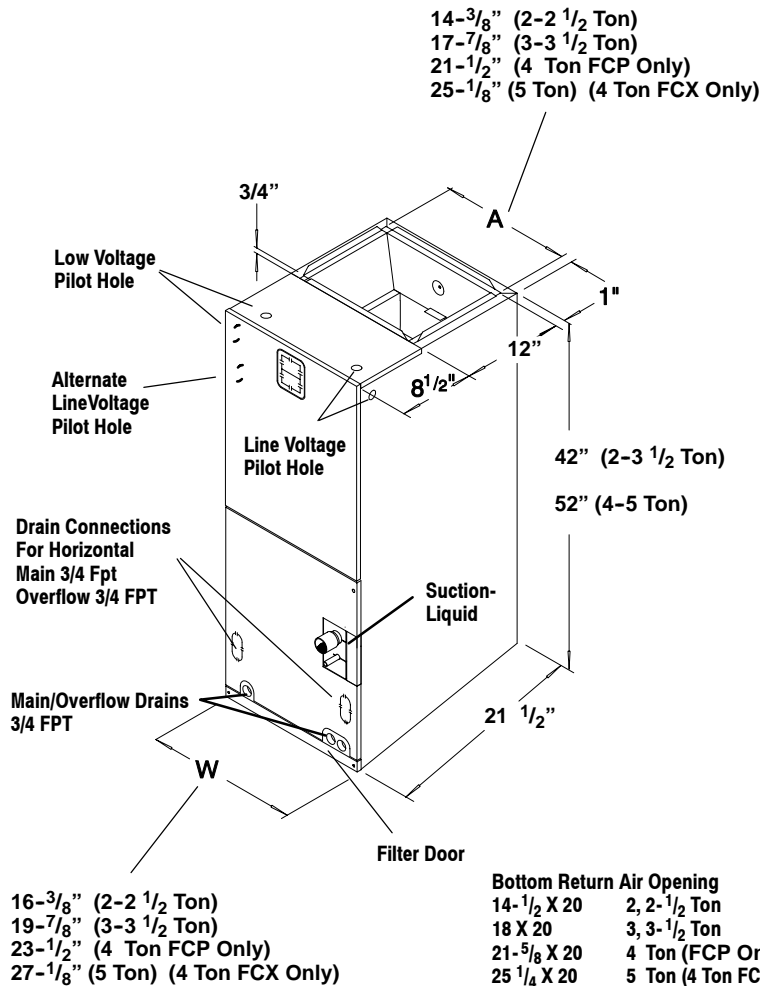
F	C	P	36	00	C/D
PRODUCT FAMILY					SALES CODE
FC = FAN COIL				FIELD INSTALLED HEATERS	
METERING DEVICE				CAPACITY BTUH	
P = Piston				36 = 36,000	
X = Expansion Valve					

A	M	F	001	DP	A
PRODUCT GROUP					SALES CODE
A = Accessories					PRODUCT IDENTIFIER
PRODUCT TYPE					PRODUCT IDENTIFIER NUMBER
C = Cooling H = Heating X = Special					
M = Multi Use (Heating and / or Cooling)					SERIES

* 05 = 5KW Factory Installed Heater, 07=7KW, 10=10KW

ACCESSORY PRODUCT IDENTIFIER ASSIGNMENT	
AH - Auxiliary Heater	DP - Drain Pan Kit
OT - Outdoor Thermostat	
WF - Washable Filter	NH - No Heat Kit
SP - Single Point Wiring Kit	TK - Thermostatic Expansion Valve

DIMENSIONS



CLEARANCES	
NO HEATERS	
All Sides	0"
From Supply Duct	0"
Recommended Service From Front	20"
(Service for blower, filter if installed)	
WITH HEATERS	
All Sides	0"
From First Three Feet of Supply Duct to Combustibles	1"
From Duct after Three Feet	0"
Recommended Service From Front	20"
(Service for blower, filter, heaters if installed)	

38-20-17