

EHD Product Specifications

CASED HORIZONTAL DUCT COILS

R-22 or ENVIRONMENTALLY SOUND R-410A SYSTEMS

2 THRU 5 TONS

FEATURES

- Horizontal, bi-directional airflow
- Bolt-on TXV metering device factory installed on all models (equalizer tube brazed in)
- Slide-out feature for easy cleaning
- Copper tube / aluminum fin slab coil
- Pre-painted steel cabinet

AVAILABLE WITH TIN COATED COPPER TUBING

- Model numbers ending in "AT" have industry exclusive tin coated copper main tubing for additional corrosion protection

WARRANTY

- 10 year limited coil warranty ("AT" tin coated models)
5 year limited coil warranty (standard models)
- 5 year limited parts warranty



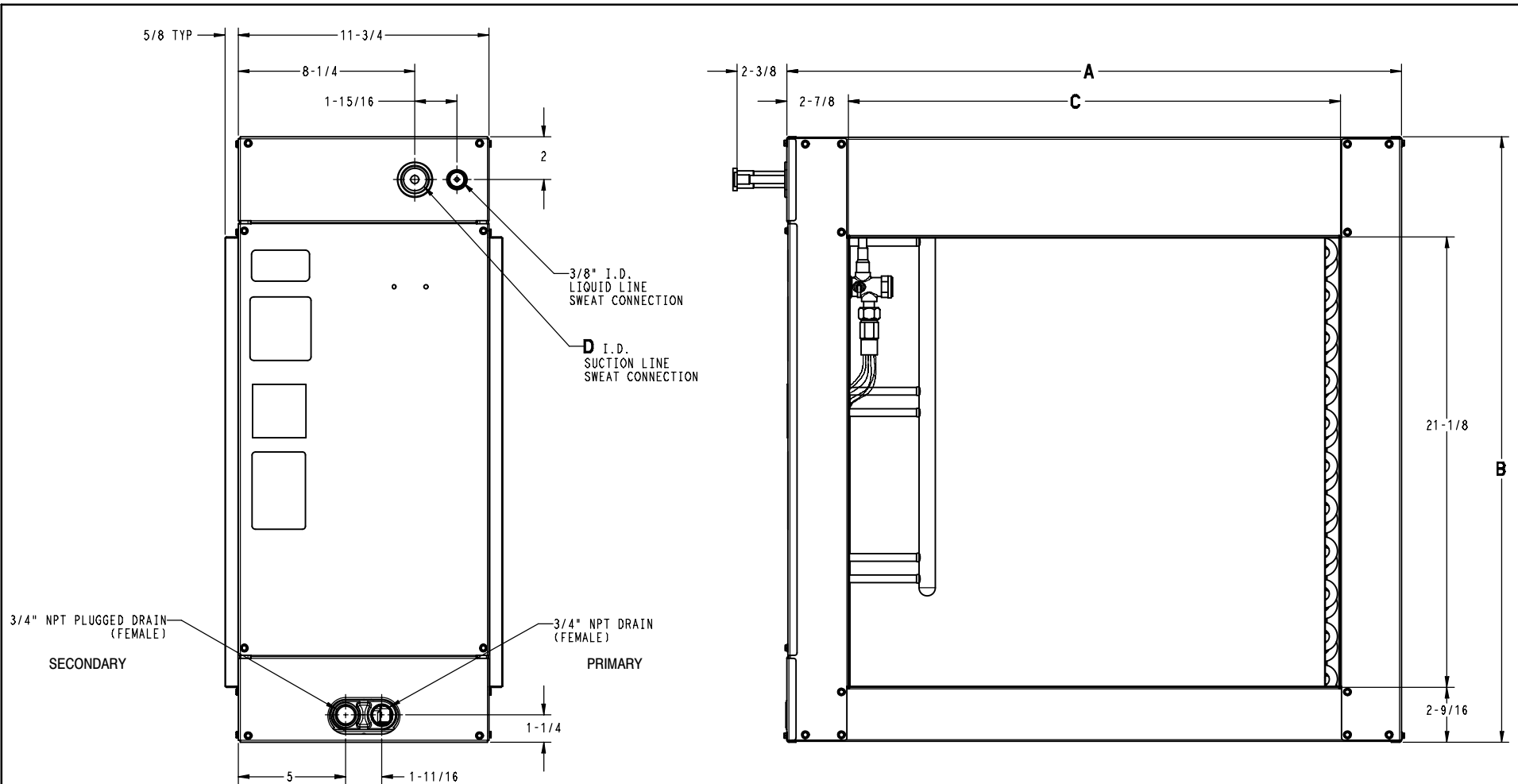
	Model	Size (tons)	Dimensions H x W x D (in)
R-410A	EHD4X24AA	2	28 ³ / ₈ x 11 ³ / ₄ x 24 ¹ / ₁₆
	24AAT		Tin Coated Copper
	EHD4X30AA	2 ¹ / ₂	28 ³ / ₈ x 11 ³ / ₄ x 24 ¹ / ₁₆
	30AAT		Tin Coated Copper
	EHD4X36AA	3	28 ³ / ₈ x 11 ³ / ₄ x 28 ¹³ / ₁₆
	36AAT		Tin Coated Copper
	EHD4X42AA	3 ¹ / ₂	28 ³ / ₈ x 11 ³ / ₄ x 28 ¹³ / ₁₆
	42AAT		Tin Coated Copper
	EHD4X48AA	4	30 ³ / ₈ x 11 ³ / ₄ x 28 ¹³ / ₁₆
	48AAT		Tin Coated Copper
R-22	EHD4X60AA	5	30 ³ / ₈ x 11 ³ / ₄ x 38 ¹⁵ / ₁₆
	60AAT		Tin Coated Copper
	EHD2X24AA	2	28 ³ / ₈ x 11 ³ / ₄ x 24 ¹ / ₁₆
	24AAT		Tin Coated Copper
	EHD2X30AA	2 ¹ / ₂	28 ³ / ₈ x 11 ³ / ₄ x 24 ¹ / ₁₆
	30AAT		Tin Coated Copper
	EHD2X36AA	3	28 ³ / ₈ x 11 ³ / ₄ x 28 ¹³ / ₁₆
	36AAT		Tin Coated Copper
	EHD2X42AA	3 ¹ / ₂	28 ³ / ₈ x 11 ³ / ₄ x 28 ¹³ / ₁₆
	42AAT		Tin Coated Copper
	EHD2X48AA	4	30 ³ / ₈ x 11 ³ / ₄ x 28 ¹³ / ₁₆
	48AAT		Tin Coated Copper
	EHD2X60AA	5	30 ³ / ₈ x 11 ³ / ₄ x 38 ¹⁵ / ₁₆
	60AAT		Tin Coated Copper



Rated in accordance with ARI Standard 210 and/or 240. Certification applies only when used with proper components as listed with ARI.



Specifications subject to change without notice.



Model Size	A	B	C	Suction Tube Size	Liquid Tube Size
24	24 ¹ / ₁₆ "	28 ³ / ₈ "	16 ¹ / ₁₆ "	5/8"	3/8"
30	24 ¹ / ₁₆ "	28 ³ / ₈ "	16 ¹ / ₁₆ "	3/4"	3/8"
36	28 ¹³ / ₁₆ "	28 ³ / ₈ "	23 ¹ / ₁₆ "	3/4"	3/8"
42	28 ¹³ / ₁₆ "	28 ³ / ₈ "	23 ¹ / ₁₆ "	7/8"	3/8"
48	28 ¹³ / ₁₆ "	30 ³ / ₈ "	23 ¹ / ₁₆ "	7/8"	3/8"
60	38 ¹⁵ / ₁₆ "	30 ³ / ₈ "	33 ¹³ / ₁₆ "	7/8"	3/8"

PHYSICAL DATA						
	Model Size					
	24	30	36	42	48	60
TXV factory installed, hard shut-off, bi-flow type for heat pump application, non-adjustable superheat						
R-22 TXV Size	3 ton			5 ton		6 ton
R-410A TXV Size	2 ton		3 ton	4 ton	5 ton	
TXV Connections	TXV-to-coil = Bolt-on 3/4-20 UNF straight thread (factory assembled)					
	field line set to TXV = 3/8" sweat (female)					
	equalizer-to-coil = brazed in (factory brazed)					
Nominal Acceptable CFM Range (minimum 350 CFM/ton, maximum 450 CFM/ton)						
CFM - min	700	875	1050	1225	1400	1750
CFM - max	900	1125	1350	1575	1800	2200
Coil Data (all coils 1 slab, lanced sine wave bare aluminum fin)						
Face Area (ft ²)	2.98	3.34	4.02	4.42	4.76	6.22
Slab H x W (in)	26 x 16½	26 x 18½	26 x 22¼	26 x 24½	28 x 24½	28 x 32
Fins Per Inch	15	14	15	15	15	14
Refrigerant Line Connections (sweat)						
Liquid (inch)	3/8	3/8	3/8	3/8	3/8	3/8
Suction (inch)	5/8	3/4	3/4	7/8	7/8	7/8

ACCESSORIES	
Description	Part Number
Fossil Fuel Kit	AXWR01DFB
PVC Condensate Trap Kit (box of 50)	EBAC01CTK

STATIC PRESSURE DROP ACROSS COIL AT A GIVEN CFM							
Coil Size	CFM Across Coil	Static Pressure Drop Across Coil (Inches Water Column)		Coil Size	CFM Across Coil	Static Pressure Drop Across Coil (Inches Water Column)	
		Dry	Wet			Dry	Wet
24 2 tons	400	0.060	0.069	48 4 tons	600	0.063	0.080
	500	0.081	0.096		700	0.076	0.101
	600	0.104	0.129		800	0.091	0.123
	700	0.129	0.162		900	0.105	0.149
	800	0.155	0.198		1000	0.121	0.175
	900	0.186	0.237		1100	0.138	0.206
	1000	0.217	0.278		1200	0.157	0.215
30 2½ tons	400	0.044	0.050		1300	0.175	0.231
	500	0.060	0.071		1400	0.195	0.261
	600	0.077	0.093		1500	0.217	0.291
	700	0.097	0.116		1600	0.238	0.325
	800	0.116	0.144		1700	0.260	0.361
	900	0.140	0.172		1800	0.284	0.394
	1000	0.165	0.203		60 5 tons	800	0.051
1100	0.190	0.235	900	0.060		0.076	
1200	0.219	0.269	1000	0.069		0.089	
36 3 tons	400	0.043	0.048	1100		0.079	0.102
	500	0.058	0.066	1200		0.090	0.118
	600	0.074	0.086	1300		0.101	0.135
	700	0.089	0.104	1400		0.113	0.155
	800	0.107	0.128	1500		0.125	0.175
	900	0.127	0.154	1600		0.138	0.193
	1000	0.150	0.182	1700		0.153	0.214
	1100	0.172	0.212	1800		0.165	0.235
	1200	0.197	0.245	1900		0.180	0.258
	1300	0.224	0.280	2000		0.195	0.279
1400	0.252	0.317	2100	0.211		0.302	
42 3½ tons	600	0.065	0.076	2200	0.227	0.325	
	700	0.079	0.094				
	800	0.095	0.114				
	900	0.113	0.137				
	1000	0.134	0.163				
	1100	0.154	0.189				
	1200	0.176	0.215				
	1300	0.197	0.245				
	1400	0.220	0.273				
	1500	0.246	0.303				
1600	0.268	0.332					

COIL MODEL NUMBER IDENTIFICATION GUIDE									
	E	H	D	2	X	24	A	A	1
E = Evaporator		TYPE		APPLICATION		REFRIGERANT		METERING DEVICE	
H = Horizontal									
D = Duct		NOMINAL CAPACITY		WIDTH		SALES CODE / FEATURES		Engineering Revision	
2 = R-22									
4 = Environmentally Sound R-410A		24 = 24,000 BTUH = 2 tons 30 = 30,000 BTUH = 2½ tons 36 = 36,000 BTUH = 3 tons 42 = 42,000 BTUH = 3½ tons 48 = 48,000 BTUH = 4 tons 60 = 60,000 BTUH = 5 tons		A = 11.8"		A = Standard AT = Tin Coated Copper Tubes for Additional Corrosion Protection			
X = TXV									