

Parts List

Tech Labels & Wiring Diagrams

Models

Single Phase

PGF(C)018K040D	GPF(C)M18K040D
PGF(C)024K040D	GPF(C)M24K040D
PGF(C)024K060D	GPF(C)M24K060D
PGF(C)030K060D	GPF(C)M30K060D
PGF(C)030K080D	GPF(C)M30K080D
PGF(C)036K060D	GPF(C)M36K060D
PGF(C)036K080D	GPF(C)M36K080D
PGF(C)036K100D	GPF(C)M36K100D
PGF(C)042K080D	GPF(C)M42K080D
PGF(C)042K100D	GPF(C)M42K100D
PGF(C)048K080D	GPF(C)M48K080D
PGF(C)048K120D	GPF(C)M48K120D
PGF(C)060K100D	GPF(C)M60K100D
PGF(C)060K140D	GPF(C)M60K140D

Package Gas-Electric Combination Units

Manufactured by:
International Comfort Products
Lewisburg, TN USA 37091

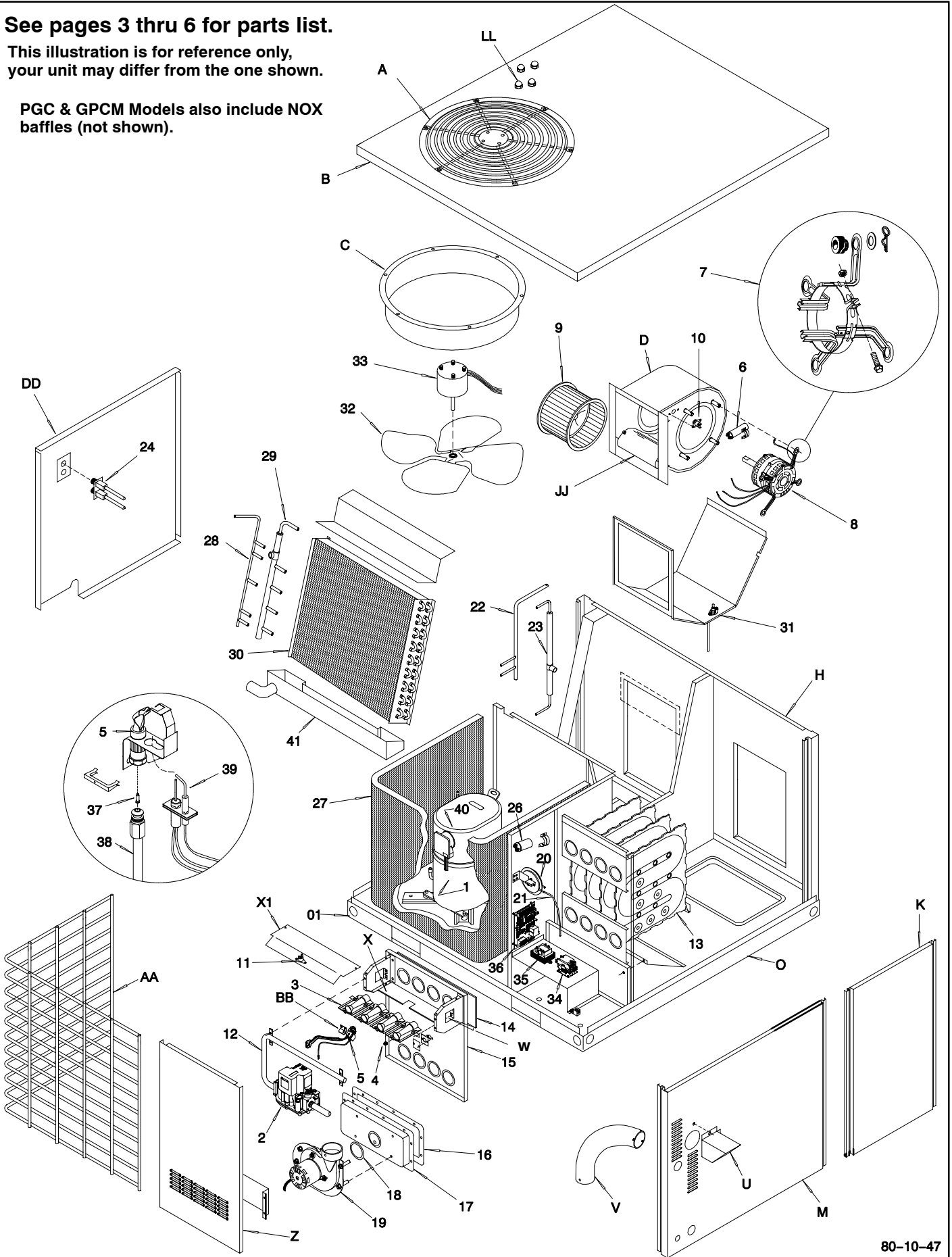
Save This Manual For Future Reference

462 04 1305 00
2-15-02 LP-1

See pages 3 thru 6 for parts list.

This illustration is for reference only,
your unit may differ from the one shown.

PGC & GPCM Models also include NOX
baffles (not shown).



MODELS: PGF(C)018K040D, PGF(C)024K040D, PGF(C)024K060D, PGF(C)030K060D, PGF(C)030K080D, PGF(C)036K060D, PGF(C)036K080D,
 PGF(C)036K100D, PGF(C)042K080D, PGF(C)042K100D, PGF(C)048K080D, PGF(C)048K120D, PGF(C)060K100D, PGF(C)060K140D,
 GPF(C)M018K040D, GPF(C)M024K040D, GPF(C)M024K060D, GPF(C)M030K060D, GPF(C)M030K080D, GPF(C)M036K060D, GPF(C)M036K080D,
 GPF(C)M036K100D, GPF(C)M042K080D, GPF(C)M042K100D, GPF(C)M048K080D, GPF(C)M048K120D, GPF(C)M060K100D, GPF(C)M060K140D

NO	DESCRIPTION	PART NUMBER	18K 040D	24K 040D	24K 060D	30K 060D	30K 080D	36K 060D	36K 080D	36K 100D	42K 080D	42K 100D	48K 080D	48K 120D	60K 100D	60K 140D
1	Compressor, CR16KFPFV	1082715	1													
1	CR22KFPFV	1082716	*	1	1											
1	CR28KFPFV	1082717	*	*	*	1	1									
1	CR32KFPFV	1082718	*	*	*	*	*	1	1	1						
1	CR38K6PFV	1082719	*	*	*	*	*	*	*	*	1	1				
1	CR42K6PFV	1084516	*	*	*	*	*	*	*	*	*	*	1	1		
1	SRD580AC01	1087607	*	*	*	*	*	*	*	*	*	*	*	*	1	1
2	Valve, Gas (Nat. & L.P.)	1011421	1	1	1	1	1	1	1	1	1	1	1	1	1	1
3	Burner Assembly, 2-Section	1009178	1	1												
3	3-Section	1008724	*	*	1	1	1	1	1		1					
3	4-Section	1008725	*	*	*	*	*	*	*	1		1	1		1	
3	5-Section	1008726	*	*	*	*	*	*	*	*	*	*	*	1		
3	6-Section	1009179	*	*	*	*	*	*	*	*	*	*	*	*	*	1
4	Orifice, Burner Nat. Gas (No. 45)	1011353	2	2	3	3		3					4			
4	Nat. Gas (No. 41)	1096942	*	*	*	*	3		3		3					
4	Nat. Gas (No. 42)	1011351	*	*	*	*	*	*	*	4		4		5	4	6
4	L.P. Gas (No. 56)	1011355	2	2	3	3		3			3		4			
4	L.P. Gas (No. 54)	1011376	*	*	*	*	3		3	4		4		5	4	6
5	Burner, Pilot/Ign/Sen (Nat. & L.P.)	1008731	1	1	1	1	1	1	1	1	1	1	1	1	1	1
6	Capacitor, 5Mfd.,370Volt	1094954	1	1	1											
6	10Mfd.,370Volt	1094956	*	*	*	1	1									
6	15Mfd.,370Volt	1094959	*	*	*	*	*	1	1	1			1	1		
6	20Mfd.,440Volt	1094968	*	*	*	*	*	*	*	*	1	1	*	*	1	1
7	Mount, Blower Motor Kit	1095236	1	1	1	1	1									
7		1002804	*	*	*	*	*	1	1	1	1	1	1	1	1	1
8	Motor, Blower 1/4Hp	1083043	1	1	1											
8	1/3Hp	1083044	*	*	*	1										
8	1/2Hp	1083045	*	*	*	*	1									
8	1/2Hp	1065279	*	*	*	*	*	1	1	1			1	1		
8	1Hp	1054586	*	*	*	*	*	*	*	*	1	1	*	*	1	1
9	Wheel, Blower 10-6DD	611795	1	1	1	1										
9	10-8DD	600587	*	*	*	*	1									
9	11-9DD	1065361	*	*	*	*	*	1	1	1	1	1	1			
9	11-11DD	1054593	*	*	*	*	*	*	*	*	*	*	*	1		
9	12-12DD	1098091	*	*	*	*	*	*	*	*	*	*	*	*	1	1
10	Switch, Limit (Auxiliary) 130	1000735	1	1	1	1	1	1	1	1	1	1	1	1	1	1
11	Switch, Limit (Rollout) 300F	1005549	1	1	1	1	1	1	1	1	1	1	1	1	1	1
12	Manifold, Gas 2-Section	1084112	1	1												
12	3-Section	1084113	*	*	1	1	1	1	1		1					
12	4-Section	1084114	*	*	*	*	*	*	*	1		1	1		1	
12	5-Section	1084115	*	*	*	*	*	*	*	*	*	*	*	1		
12	6-Section	1084116	*	*	*	*	*	*	*	*	*	*	*	*	*	1
13	Heat Exchanger, 2-Section	1008876	1	1												
13	Heat Exchanger, 3-Section	1008877	*	*	1	1	1	1	1		1					
13	Heat Exchanger, 4-Section	1008878	*	*	*	*	*	*	*	1		1	1		1	
13	Heat Exchanger, 5-Section	1008879	*	*	*	*	*	*	*	*	*	*	*	1		
13	Heat Exchanger, 6-Section	231010106	*	*	*	*	*	*	*	*	*	*	*	*	*	1
14	Gasket, Heat Exchanger	2480904	2	2												
14		2480905	*	*	2	2	2	2	2		2					
14		2480906	*	*	*	*	*	*	*	2		2	2		2	
14		2480907	*	*	*	*	*	*	*	*	*	*	*	2		
14		2480908	*	*	*	*	*	*	*	*	*	*	*	*	*	2

NO	DESCRIPTION	PART NUMBER	18K 040D	24K 040D	24K 060D	30K 060D	30K 080D	36K 060D	36K 080D	36K 100D	42K 080D	42K 100D	48K 080D	48K 120D	60K 100D	60K 140D
15	Partition, Heat Exchanger Front	1084272	1	1												
15		1008070	*	*	1	1	1	1	1		1					
15		1008072	*	*	*	*	*	*	*	1		1				
15		1008071	*	*	*	*	*	*	*	*	*	*	1		1	
15		1008073	*	*	*	*	*	*	*	*	*	*	*	1		
15		1008074	*	*	*	*	*	*	*	*	*	*	*	*	*	1
16	Gasket, Collector Box	1093661	1	1	1	1	1	1	1							
16		1093662	*	*	*	*	*	*	*	1	1	1	1		1	
16		1093663	*	*	*	*	*	*	*	*	*	*	*	1		1
17	Box, Collector	1085400	1	1												
17		1011046	*	*	1	1		1								
17		1085424	*	*	*	*	1		1		1					
17		1085402	*	*	*	*	*	*	*	1		1			1	
17		1085401	*	*	*	*	*	*	*	*	*		1			
17		1084213	*	*	*	*	*	*	*	*	*	*	*	1		
17		1011057	*	*	*	*	*	*	*	*	*	*	*	*	*	1
18	Gasket, Blower	1110691	1	1	1	1	1	1	1	1	1	1	1	1	1	1
19	Blower, Exhaust	1110008	1	1	1	1	1	1	1	1	1	1	1	1	1	1
20	Switch, Vent Pressure	1085570	1	1	1	1	1	1	1	1	1	1	1	1	1	1
21	Tube, Sensor	610290	1	1	1	1	1	1	1	1	1	1	1	1	1	1
22	Manifold, Condenser (Discharge)	1085555	1	1	1											
22		1097653	*	*	*	1	1	1	1	1	1	1				
22		1097654	*	*	*	*	*	*	*	*	*	*	1	1	1	1
23	Manifold, Condenser (Liquid)	1085459	1	1	1											
23		1085462	*	*	*	*	*	*	*	*	*	*	1	1		
23		1085554	*	*	*	*	*	*	*	*	*	*	*	*	1	1
24	Port Valve Assembly	1083939	1	1	1	1	1	1	1	1	1	1	1	1	1	1
26	Capacitor, 25+3Mfd.,.370Volt	1082630	1													
26	30+3Mfd.,.370Volt	1082631	*	1	1											
26	35+3Mfd.,.370Volt	1082632	*	*	*	1	1									
26	35+5Mfd.,.440Volt	1094984	*	*	*	*	*	1	1	1						
26	40+5Mfd.,.440Volt	1094987	*	*	*	*	*	*	*	*	1	1	1	1		
26	55+5Mfd.,.440Volt	1094991	*	*	*	*	*	*	*	*	*	*	*	*	1	1
27	Coil, Condenser	1085549	1	1	1											
27		1096940	*	*	*	1	1									
27		1085550	*	*	*	*	*	1	1	1						
27		1098081	*	*	*	*	*	*	*	*	1	1				
27		1085553	*	*	*	*	*	*	*	*	*	*	1	1		
27		1085552	*	*	*	*	*	*	*	*	*	*	*	*	1	1
28	Manifold, Evaporator (Liquid)	1085441	1													
28		1085442	*	1	1											
28		1085443	*	*	*	1	1									
28		1085444	*	*	*	*	*	1	1	1						
28		1097857	*	*	*	*	*	*	*	*	1	1				
28		1085446	*	*	*	*	*	*	*	*	*	*	1	1		
28		1085559	*	*	*	*	*	*	*	*	*	*	*	*	1	1
29	Manifold, Evaporator (Suction)	1085447	1													
29		1085448	*	1	1	1	1									
29		1085450	*	*	*	*	*	1	1	1	1	1				
29		1085452	*	*	*	*	*	*	*	*	*	*	1	1		
29		1085560	*	*	*	*	*	*	*	*	*	*	*	*	1	1
30	Coil, Evaporator	1085423	1													
30		1085449	*	1	1											
30		1085425	*	*	*	1	1									
30		1085426	*	*	*	*	*	1	1	1						
30		1097856	*	*	*	*	*	*	*	*	1	1				
30		1085428	*	*	*	*	*	*	*	*	*	*	1	1		
30		1085556	*	*	*	*	*	*	*	*	*	*	*	*	1	1
31	Switch, Limit (Blower Deck) 160F	34335000	1	1	1	1	1	1	1	1	1	1	1	1	1	1

NO	DESCRIPTION	PART NUMBER	18K 040D	24K 040D	24K 060D	30K 060D	30K 080D	36K 060D	36K 080D	36K 100D	42K 080D	42K 100D	48K 080D	48K 120D	60K 100D	60K 140D
32	Fan, Condenser	1096903	1	1	1	1	1									
32		1096902	*	*	*	*	*	1	1	1	1	1	1	1	1	1
33	Motor, Condenser Fan, 230V 1/5 HP	1082639	1	1	1	1	1									
33	230V 1/3 HP	1082642	*	*	*	*	*	1	1	1	1	1	1	1	1	1
34	Contactora 25 Amp.	1050699	1	1	1	1	1	1	1	1	1	1				
34	35 Amp	1050839	*	*	*	*	*	*	*	*	*	*	1	1		
34	40 Amp	1059574	*	*	*	*	*	*	*	*	*	*	*	*	1	1
35	Transformer	1082611	1	1	1	1	1	1	1	1	1	1	1	1	1	1
36	Timer, Fan	1084197	1	1	1	1	1	1	1	1	1	1	1	1	1	1
37	Orifice, Pilot Burner (Nat. Gas) .018	503211	1	1	1	1	1	1	1	1	1	1	1	1	1	1
37	(L.P. Gas) .011	1009136	1	1	1	1	1	1	1	1	1	1	1	1	1	1
38	Tube, Pilot	64930	1	1	1	1	1	1	1	1	1	1	1	1	1	1
39	Ignitor & Sensor	1009524	1	1	1	1	1	1	1	1	1	1	1	1	1	1
40	Plug, Compressor Harness	1097674	1	1	1	1	1	1	1	1	1	1				
40		1096953	*	*	*	*	*	*	*	*	*	*	1	1		
40		1114024	*	*	*	*	*	*	*	*	*	*	*	*	1	1
41	Pan, Drain	1098037	1	1	1	1	1	1	1	1	1	1	1	1	1	1
A	Grille, Outlet	1084490	1	1	1	1	1	1	1	1	1	1	1	1	1	1
AA	Grille, Inlet	1084255	1	1	1	1	1	1	1	1	1	1				
AA		1084268	*	*	*	*	*	*	*	*	*	*	1	1	1	1
B	Panel, Top	1084120	1	1	1	1	1	1	1	1	1	1				
B		1084141	*	*	*	*	*	*	*	*	*	*	1	1	1	1
BB	Bracket, Pilot	1010901	1	1	1	1	1	1	1	1	1	1	1	1	1	1
C	Orifice, Condenser Fan	1065724	1	1	1	1	1	1	1	1	1	1	1	1	1	1
D	Housing, Blower	1065299	1	1	1	1										
D		1065300	*	*	*	*	1									
D		1066454	*	*	*	*	*	1	1	1	1	1				
D		1085636	*	*	*	*	*	*	*	*	*	*	*	1		
D		1098582	*	*	*	*	*	*	*	*	*	*	*	*	1	1
DD	Panel, Compressor Access	1098763	1	1	1	1	1	1	1	1	1	1				
DD		1098764	*	*	*	*	*	*	*	*	*	*	1	1	1	1
H	Panel, Rear	1084104	1	1	1	1	1	1	1	1	1	1				
H		1096956	*	*	*	*	*	*	*	*	*	*	1	1	1	1
JJ	Panel, Blower Cutoff	611796	1	1	1	1										
JJ		95143	*	*	*	*	1									
JJ		1066448	*	*	*	*	*	1	1	1	1	1				
JJ		1096900	*	*	*	*	*	*	*	*	*	*	1			
JJ		1096901	*	*	*	*	*	*	*	*	*	*	*	1		
JJ		1098556	*	*	*	*	*	*	*	*	*	*	*	*	1	1
K	Panel, Blower Access	1098765	1	1	1	1	1	1	1	1	1	1				
K		1098766	*	*	*	*	*	*	*	*	*	*	1	1	1	1
LL	Nut, Cap	1067902	4	4	4	4	4	4	4	4	4	4	4	4	4	4
M	Post, Corner (Heating)	1098759	1	1	1	1	1	1	1	1	1	1				
M		1098760	*	*	*	*	*	*	*	*	*	*	1	1	1	1
O	Rail, Base (Front & Rear)	1098868	2	2	2	2	2	2	2	2	2	2				
O		1098869	*	*	*	*	*	*	*	*	*	*	2	2	2	2
O1	Rail, Base (End)	1098870	2	2	2	2	2	2	2	2	2	2	2	2	2	2
OO	Baffle, Nox	**1009876	2	2	3	3	3	3	3	4	3	4	4	5	4	6
SS	Rod, Flue Vent	1096969	1	1	1	1	1	1	1	1	1	1	1	1	1	1
U	Cover, Vent	1096970	1	1	1	1	1	1	1	1	1	1	1	1	1	1
V	Elbow, Exhaust Blower 90	1096959	1	1	1	1	1	1	1	1	1	1				
V		1084138	*	*	*	*	*	*	*	*	*	*	1	1	1	1
X	Shield, Burner Bottom	1084199	1	1							1					
X		1084201	*	*	1	1	1	1	1		1					
X		1084203	*	*	*	*	*	*	*	1		1	1		1	
X		1084205	*	*	*	*	*	*	*	*	*	*	*	1		
X		1084207	*	*	*	*	*	*	*	*	*	*	*	*	*	1

NO	DESCRIPTION	PART NUMBER	18K 040D	24K 040D	24K 060D	30K 060D	30K 080D	36K 060D	36K 080D	36K 100D	42K 080D	42K 100D	48K 080D	48K 120D	60K 100D	60K 140D	
X1	Shield, Burner Top	1084198	1	1													
X1		1084200	*	*	1	1	1	1	1		1						
X1		1084202	*	*	*	*	*	*	*	1		1	1		1		
X1		1084204	*	*	*	*	*	*	*	*	*	*	*	1			
X1		1084206	*	*	*	*	*	*	*	*	*	*	*	*	*	1	
Z	Panel, Access Heating	1084134	1	1	1	1	1	1	1	1	1	1					
Z		1084150	*	*	*	*	*	*	*	*	*	*	1	1	1	1	
)	Gas Conversion Kit (Nat. to L.P.)	1097389	1	1	1	1		1			1		1				
)		1160991	*	*	*	*	1		1	1		1		1	1	1	
)	Gas Conversion Kit (L.P. to Nat.)	1098574	1	1	1	1		1			1		1				
)		1098575	*	*	*	*	1		1	1		1		1	1	1	
)	Manual, Parts List	462041305	1	1	1	1	1	1	1	1	1	1	1	1	1	1	
)	Manual, User's Information	1068276	1	1	1	1	1	1	1	1	1	1	1	1	1	1	
)	Manual, Installation	462011004	1	1	1	1	1	1	1	1	1	1	1	1	1	1	
	** Nox baffles used on PGC & GPCM models only																

Technical Labels

Style No:		PGF018K040 / GPFM18K040 (Low Heat)				Outdoor Ambient Temperature - Degrees F. Dry Bulb																															
Voltage		208 / 230		Gas Type		NAT																															
Phase		1		Std Input		40																															
Ampacity		13.6		Low Fire Input		-																															
Delay Fuse		15		Std Output		32																															
Max. Fuse		20		Low Fire Output		-																															
Compressor		COPELAND		Gas Valve (HSP)		HW																															
RLA		8.6		Regulation		SNAP																															
LRA		49		Manifold Press		3.5																															
Cap MFD/V		25 / 370		Std orifice		45																															
CC Heater				Low Fire Orifice		-																															
Start Kit		NAMA001SC		Pilot Orifice		0.018																															
Cond & Evap				Temp Rise		30-60																															
Type		Fan Blower		Ignition Type		HSP																															
Size		20 DD10-6A		Fan On/Off		TIME																															
Motor-HP		1/5 1/4		Limit Set Max		160																															
Type		PSC PSC		Heat Antic		0.58																															
FLA		0.65 2.2																																			
LRA		2.3 4.1																																			
RPM		1145 1050																																			
Cap MFD/V		3/370 5/370																																			
PTCR																																					
Hi Press																																					
Low Press																																					
Operating Chg (No Lines)*		(R-22 Oz) 56																																			
Service Driers																																					
Liquid/Chg Suction		8 Cu In / 7 oz 30 Sq In																																			
Unit Weight		350																																			
								75					85					95					105					115									
								Entering Indoor Temperature - Degrees F. Wet Bulb																													
								59 63 67 71					59 63 67 71					59 63 67 71					59 63 67 71					59 63 67 71									
								IDB					70					75					80					85									
								MBh					16.7 17.3 19.0 -					16.3 16.9 18.5 -					15.9 16.5 18.1 -					15.1 15.7 17.2 -					14.0 14.5 15.9 -				
								S/T					0.73 0.61 0.43 -					0.75 0.63 0.44 -					0.78 0.65 0.45 -					0.81 0.67 0.47 -					0.81 0.68 0.47 -				
								AMPS					7.9 8.0 8.2 -					8.4 8.5 8.8 -					8.8 9.0 9.3 -					9.3 9.5 9.7 -					9.7 9.9 10.2 -				
								HI PR					176 190 200 -					201 216 228 -					229 246 260 -					257 277 292 -					284 306 323 -				
								LO PR					63 67 74 -					66 70 77 -					69 74 80 -					73 77 84 -					75 80 87 -				
								MBh					17.0 17.5 19.0 20.3					16.6 17.1 18.5 19.9					16.2 16.7 18.1 19.4					15.4 15.8 17.2 18.4					14.3 14.7 15.9 17.1				
								S/T					0.84 0.75 0.57 0.36					0.86 0.77 0.58 0.37					0.88 0.79 0.60 0.38					0.92 0.82 0.62 0.40					0.93 0.83 0.63 0.40				
								AMPS					7.9 8.1 8.3 8.5					8.4 8.6 8.8 9.1					8.9 9.1 9.3 9.6					9.4 9.6 9.8 10.1					9.8 10.0 10.3 10.6				
								HI PR					178 192 203 211					203 218 230 240					231 248 262 274					260 280 295 308					287 309 326 340				
								LO PR					64 68 74 79					67 71 77 82					70 74 81 86					73 78 85 91					76 81 88 94				
								MBh					17.3 17.7 18.9 20.2					16.9 17.3 18.5 19.7					16.5 16.8 18.0 19.2					15.7 16.0 17.1 18.3					14.5 14.8 15.8 16.9				
								S/T					0.92 0.86 0.70 0.52					0.94 0.88 0.72 0.54					0.97 0.91 0.74 0.55					1.00 0.94 0.77 0.57					1.00 0.95 0.77 0.58				
								AMPS					8.0 8.1 8.3 8.6					8.5 8.7 8.9 9.2					9.0 9.2 9.4 9.7					9.4 9.6 9.9 10.2					9.9 10.1 10.4 10.7				
								HI PR					180 194 205 213					205 220 233 243					233 251 265 276					262 282 298 311					290 312 329 344				
								LO PR					65 69 75 80					67 72 78 83					71 75 82 87					74 79 86 92					77 81 89 95				
								MBh					17.6 18.0 18.8 20.1					17.2 17.5 18.4 19.6					16.8 17.1 17.9 19.1					15.9 16.2 17.0 18.2					14.8 15.0 15.8 16.8				
								S/T					0.96 0.93 0.84 0.68					0.98 0.95 0.86 0.70					1.00 0.98 0.89 0.72					1.00 1.00 0.92 0.75					1.00 1.00 0.93 0.75				
								AMPS					8.0 8.2 8.4 8.6					8.6 8.7 9.0 9.2					9.0 9.2 9.5 9.8					9.5 9.7 10.0 10.3					10.0 10.2 10.5 10.8				
								HI PR					182 196 207 216					207 223 235 245					236 253 268 279					265 285 301 314					293 315 333 347				
								LO PR					65 69 76 81					68 72 79 84					71 76 83 88					75 80 87 92					77 82 90 96				
								Air Delivery in CFM - Dry Coil - No Filter (Add .05 static for Wet Coil)																													
								230 Volt					External Static Press (Inch Water Column)																								
								Speed Tap					0.2					0.3					0.4					0.5									
								HI					900					880					860					840									
								MD					650					630					610					590									
								LO					500					480					460					440									

1096921

Style No:		PGF024K040 / GPFM24K040 (LOW HEAT)				Outdoor Ambient Temperature - Degrees F. Dry Bulb																															
Voltage		208 / 230		Gas Type		NAT																															
Phase		1		Std Input		40																															
Ampacity		16		Low Fire Input		-																															
Delay Fuse		20		Std Output		32																															
Max. Fuse		25		Low Fire Output		-																															
Compressor		COPELAND		Gas Valve (HSP)		HW																															
RLA		10.5		Regulation		SNAP																															
LRA		56		Manifold Press		3.5																															
Cap MFD/V		30 / 370		Std orifice		45																															
CC Heater				Low Fire Orifice		-																															
Start Kit		NAMA001SC		Pilot Orifice		0.018																															
Cond & Evap				Temp Rise		30 - 60																															
Type		Fan Blower		Ignition Type		HSP																															
Size		20 DD10-6A		Fan On/Off		TIME																															
Motor-HP		1/5 1/4		Limit Set Max		160																															
Type		PSC PSC		Heat Antic		0.58																															
FLA		0.65 2.2																																			
LRA		2.3 4.1																																			
RPM		1145 1050																																			
Cap MFD/V		3/370 5/370																																			
PTCR																																					
Hi Press																																					
Low Press																																					
Operating Chg (No Lines)*		(R-22 Oz) 56																																			
Service Driers																																					
Liquid/Chg Suction		8 Cu In / 7 oz 30 Sq In																																			
Unit Weight		350																																			
								75					85					95					105					115									
								Entering Indoor Temperature - Degrees F. Wet Bulb																													
								59 63 67 71					59 63 67 71					59 63 67 71					59 63 67 71					59 63 67 71									
								IDB					70					75					80					85									
								MBh					22.1 22.9 25.1 -					21.6 22.4 24.5 -					21.1 21.8 23.9 -					20.0 20.7 22.7 -					18.5 19.2 21.0 -				
								S/T					0.75 0.63 0.44 -					0.77 0.65 0.45 -					0.80 0.67 0.46 -					0.83 0.69 0.48 -					0.84 0.70 0.48 -				
								AMPS					10.3 10.5 10.8 -					11.1 11.3 11.6 -					11.7 12.0 12.3 -					12.4 12.6 13.0 -					13.0 13.3 13.7 -				
								HI PR					188 202 213 -					214 230 243 -					243 262 276 -					274 294 311 -					302 325 344 -				
								LO PR					63 67 74 -					66 70 77 -					69 74 80 -					73 77 84 -					75 80 87 -				
								MBh					22.5 23.2 25.1 26.9					22.0 22.6 24.5 26.3					21.4 22.1 23.9 25.6					20.3 21.0 22.7 24.3					18.8 19.4 21.0 22.5				
								S/T					0.86 0.77 0.58 0.37					0.88 0.79 0.60 0.38					0.91 0.81 0.61 0.40					0.94 0.84 0.64 0.41					0.95 0.85 0.64 0.41				
								AMPS					10.4 10.6 10.9 11.3					11.2 11.4 11.7 12.1					11.8 12.1 12.4 12.8					12.5 12.7 13.1 13.5					13.1 13.4 13.8 14.2				
								HI PR					190 204 216 225					216 232 245 256					246 264 279 291					276 297 314 328					305 329 347 362				
								LO PR					64 68 74 79					67 71 77 82					70 74 81 86					73 78 85 91					76 81 88 94				
								MBh					22.9 23.4 25.0 26.7					22.3 22.8 24.4 26.1					21.8 22.3 23.8 25.4					20.7 21.2 22.6 24.2					19.2 19.6 20.9 22.4				
								S/T					0.94 0.88 0.72 0.54					0.96 0.90 0.74 0.55					1.00 0.93 0.76 0.57					1.00 0.97 0.79 0.59					1.00 0.98 0.80 0.59				
								AMPS					10.5 10.7 11.0 11.3					11.3 11.5 11.8 12.2					11.9 12.2 12.5 12.9					12.6 12.8 13.2 13.6					13.2 13.5 13.9 14.3				
								HI PR					192 206 218 227					218 234 248 258					248 267 282 294					279 300 317 331					308 332 351 366				
								LO PR					65 69 75 80					67 72 78 83					71 75 82 87					74 79 86 92					77 81 89 95				
								MBh					23.3 23.7 24.9 26.5					22.7 23.2 24.3 25.9					22.2 22.6 23.7 25.3					21.1 21.5 22.5 24.0					19.5 19.9 20.8 22.2				
								S/T					0.99 0.95 0.86 0.70					1.00 0.98 0.88 0.71					1.00 1.00 0.91 0.74					1.00 1.00 0.94 0.77					1.00 1.00 0.95 0.77				
								AMPS					10.6 10.8 11.1 11.4					11.3 11.6 11.9 12.3					12.0 12.2 12.6 13.0					12.7 12.9 13.3 13.7					13.3 13.6 14.0 14.5				
								HI PR					193 208 220 229					220 237 250 261					251 270 285 297					282 303 320 334					312 335 354 369				
								LO PR					65 69 76 81					68 72 79 84					71 76 83 88					75 80 87 92					77 82 90 96				
								Air Delivery in CFM - Dry Coil - No Filter (Add .05 static for Wet Coil)																													
								230 Volt					External Static Press (Inch Water Column)																								
								Speed Tap					0.2					0.3					0.4					0.5									
								HI					900					880					860					840									
								MD					650					630					610					590									
								LO					500					480					460					440									

1096922

Technical Labels

Style No:		PGF024K060 / GPFM24K060 (HIGH HEAT)				Outdoor Ambient Temperature - Degrees F. Dry Bulb																								
		Gas Type		NAT	IDB	75					85					95					105					115				
		Std Input		60		Entering Indoor Temperature - Degrees F. Wet Bulb																								
		Low Fire Input		-	59 63 67 71					59 63 67 71					59 63 67 71					59 63 67 71					59 63 67 71					
Voltage	208 / 230		Gas Type		NAT																									
Phase	1		Std Input		60																									
Ampacity	16		Low Fire Input		-																									
Delay Fuse	20		Std Output		48																									
Max. Fuse	25		Low Fire Output		-																									
Compressor	COPELAND		Gas Valve (HSP)		HW																									
RLA	10.5		Regulation		SNAP																									
LRA	56		Manifold Press		3.5																									
Cap MFD/V	30 / 370		Std orifice		45																									
CC Heater			Low Fire Orifice		-																									
Start Kit	NAMA001SC		Pilot Orifice		0.00048																									
Cond & Evap	Cond		Evap		30 - 60																									
Type	Fan		Blower		HSP																									
Size	20		DD10-6A		150																									
Motor-HP	1/5		1/4		0.58																									
Type	PSC		PSC																											
FLA	0.65		2.2																											
LRA	2.3		4.1																											
RPM	1145		1050																											
Cap MFD/V	3/370		5/370																											
PTCR																														
Hi Press																														
Low Press																														
Operating Chg (No Lines)*	(R-22 Oz)		56																											
Service Driers																														
Liquid/Chg Suction	8 Cu In / 7 oz		30 Sq In																											
Unit Weight	360																													
						Air Delivery in CFM - Dry Coil - No Filter (Add .05 static for Wet Coil)																								
						230 Volt External Static Press (Inch Water Column)																								
						Speed Tap																								
						HI																								
						MD																								
						LO																								
																					1096923									

Style No:		PGF030K060 / GPFM30K060 (LOW HEAT)				Outdoor Ambient Temperature - Degrees F. Dry Bulb																								
		Gas Type		NAT	IDB	75					85					95					105					115				
		Std Input		60		Entering Indoor Temperature - Degrees F. Wet Bulb																								
		Low Fire Input		48	59 63 67 71					59 63 67 71					59 63 67 71					59 63 67 71					59 63 67 71					
Voltage	208 / 230		Gas Type		NAT																									
Phase	1		Std Input		60																									
Ampacity	21.5		Low Fire Input		48																									
Delay Fuse	25		Std Output		48																									
Max. Fuse	35		Low Fire Output		-																									
Compressor	COPELAND		Gas Valve (HSP)		HW																									
RLA	13.7		Regulation		SNAP																									
LRA	75		Manifold Press		3.5																									
Cap MFD/V	35 / 370		Std orifice		45																									
CC Heater			Low Fire Orifice		-																									
Start Kit	NAMA001SC		Pilot Orifice		0.018																									
Cond & Evap	Cond		Evap		30 - 60																									
Type	Fan		Blower		HSP																									
Size	20		DD10-6A		150																									
Motor-HP	1/5		1/3		0.58																									
Type	PSC		PSC																											
FLA	1.3		3.1																											
LRA	2.3		5.6																											
RPM	1135		1100																											
Cap MFD/V	3/370		10/370																											
PTCR																														
Hi Press																														
Low Press																														
Operating Chg (No Lines)*	(R-22 Oz)		56																											
Service Driers																														
Liquid/Chg Suction	8 Cu In / 7 oz		30 Sq In																											
Unit Weight	360																													
						Air Delivery in CFM - Dry Coil - No Filter (Add .05 static for Wet Coil)																								
						230 Volt External Static Press (Inch Water Column)																								
						Speed Tap																								
						HI																								
						MD																								
						LO																								
																					1096924									

Technical Labels

Style No:	PGF030K080 / GPFM30K080 (HIGH HEAT)		Outdoor Ambient Temperature - Degrees F. Dry Bulb																						
Voltage	208 / 230	Gas Type	NAT	IDB	75				85				95				105				115				
					Entering Indoor Temperature - Degrees F. Wet Bulb																				
Phase	1	Std Input	80	70	59	63	67	71	59	63	67	71	59	63	67	71	59	63	67	71	59	63	67	71	
Ampacity	21.5	Low Fire Input	-		70	MBh	26.8	27.7	30.4	-	26.1	27.1	29.7	-	25.5	26.4	28.9	-	24.2	25.1	27.5	-	22.4	23.2	25.5
Delay Fuse	25	Std Output	64	S/T		0.75	0.63	0.44	-	0.77	0.65	0.45	-	0.80	0.67	0.46	-	0.83	0.69	0.48	-	0.84	0.70	0.48	-
Max. Fuse	35	Low Fire Output	-	70	AMPS	12.8	13.0	13.4	-	13.7	14.0	14.4	-	14.6	14.9	15.3	-	15.4	15.8	16.2	-	16.2	16.6	17.1	-
Compressor	COPELAND	Gas Valve (HSP)	HW		HI PR	187	201	213	-	213	229	242	-	242	261	275	-	273	293	310	-	301	324	342	-
RLA	13.7	Manifold Press	3.5	LO PR	61	65	71	-	63	68	74	-	67	71	77	-	70	74	81	-	72	77	84	-	
LRA	75	Std orifice	45	75	MBh	27.2	28.0	30.3	32.6	26.6	27.4	29.6	31.8	25.9	26.7	28.9	31.0	24.6	25.4	27.4	29.5	22.8	23.5	25.4	27.3
Cap MFD/V	35 / 370	Low Fire Orifice	-		S/T	0.86	0.77	0.58	0.37	0.88	0.79	0.60	0.38	0.91	0.81	0.61	0.40	0.94	0.84	0.64	0.41	0.95	0.85	0.64	0.41
CC Heater		Pilot Orifice	0.018	AMPS	12.9	13.1	13.5	14.0	13.9	14.2	14.6	15.1	14.7	15.0	15.5	16.0	15.5	15.9	16.4	16.9	16.4	16.7	17.3	17.9	
Start Kit	NAMA001SC	Temp Rise	30 - 60	HI PR	189	203	215	224	215	231	244	255	245	263	278	290	275	296	313	326	304	327	346	361	
Cond & Evap	Cond	Evap	HSP	LO PR	62	66	72	76	64	68	74	79	67	72	78	83	71	75	82	87	73	78	85	90	
Type	Fan	Blower	TIME	80	MBh	27.7	28.3	30.2	32.3	27.0	27.6	29.5	31.6	26.4	27.0	28.8	30.8	25.1	25.6	27.4	29.2	23.2	23.7	25.3	27.1
Size	20	DD10-8A	135		S/T	0.94	0.88	0.72	0.54	0.96	0.90	0.74	0.55	1.00	0.93	0.76	0.57	1.00	0.97	0.79	0.59	1.00	0.98	0.80	0.59
Motor-HP	1/5	1/2	0.58	AMPS	13.0	13.3	13.6	14.1	14.0	14.3	14.7	15.2	14.8	15.1	15.6	16.1	15.7	16.0	16.5	17.1	16.5	16.9	17.4	18.0	
Type	PSC	PSC		HI PR	191	205	217	226	217	234	247	257	247	266	281	293	278	299	316	330	307	331	349	364	
FLA	1.3	3.1		LO PR	62	66	72	77	65	69	75	80	68	72	79	84	71	76	83	88	74	78	86	91	
LRA	2.3	6.8		85	MBh	28.2	28.7	30.1	32.1	27.5	28.0	29.4	31.3	26.8	27.4	28.7	30.6	25.5	26.0	27.2	29.0	23.6	24.1	25.2	26.9
RPM	1135	1100			S/T	0.99	0.95	0.86	0.70	1.00	0.98	0.88	0.71	1.00	1.00	0.91	0.74	1.00	1.00	0.94	0.77	1.00	1.00	0.95	0.77
Cap MFD/V	3/370	5/370		AMPS	13.1	13.4	13.7	14.2	14.1	14.4	14.8	15.3	14.9	15.3	15.7	16.3	15.8	16.2	16.6	17.2	16.7	17.0	17.6	18.2	
PTCR				HI PR	193	207	219	229	219	236	249	260	250	269	284	296	281	302	319	333	310	334	353	368	
Hi Press				LO PR	63	67	73	78	65	70	76	81	69	73	80	85	72	77	84	89	74	79	86	92	
Low Press				Air Delivery in CFM - Dry Coil - No Filter (Add .05 static for Wet Coil)																					
Operating Chg (No Lines)*	(R-22 Oz)	56		230 Volt	External Static Press (Inch Water Column)																				
Service Driers				Speed Tap	0.2	0.3	0.4	0.5																	
Liquid/Chg	8 Cu In / 7 oz			HI	1390	1330	1280	1220																	
Suction	30 Sq In			MD	1260	1220	1180	1130																	
Unit Weight	365			LO	1000	990	980	950																	

1096925

Style No:	PGF036K060 / GPFM36K060 (LOW HEAT)		Outdoor Ambient Temperature - Degrees F. Dry Bulb																						
Voltage	208 / 230	Gas Type	NAT	IDB	75				85				95				105				115				
					Entering Indoor Temperature - Degrees F. Wet Bulb																				
Phase	1	Std Input	60	70	59	63	67	71	59	63	67	71	59	63	67	71	59	63	67	71	59	63	67	71	
Ampacity	25	Low Fire Input	-		70	MBh	31.8	32.9	36.1	-	31.0	32.2	35.2	-	30.3	31.4	34.4	-	28.8	29.8	32.7	-	26.6	27.6	30.2
Delay Fuse	30	Std Output	48	S/T		0.75	0.63	0.44	-	0.77	0.65	0.45	-	0.80	0.67	0.46	-	0.83	0.69	0.48	-	0.84	0.70	0.48	-
Max. Fuse	40	Low Fire Output	-	70	AMPS	15.3	15.6	16.1	-	16.4	16.8	17.2	-	17.4	17.7	18.2	-	18.3	18.7	19.2	-	19.2	19.6	20.2	-
Compressor	COPELAND	Gas Valve (HSP)	HW		HI PR	188	202	213	-	214	230	243	-	243	262	276	-	274	294	311	-	302	325	344	-
RLA	16	Manifold Press	3.5	LO PR	65	69	75	-	67	72	78	-	71	75	82	-	74	79	86	-	77	82	89	-	
LRA	82	Std orifice	45	75	MBh	32.3	33.3	36.0	38.7	31.5	32.5	35.2	37.7	30.8	31.7	34.3	36.8	29.2	30.1	32.6	35.0	27.1	27.9	30.2	32.4
Cap MFD/V	35 / 440	Low Fire Orifice	-		S/T	0.86	0.77	0.58	0.37	0.88	0.79	0.60	0.38	0.91	0.81	0.61	0.40	0.94	0.84	0.64	0.41	0.95	0.85	0.64	0.41
CC Heater		Pilot Orifice	0.018	AMPS	15.5	15.8	16.2	16.7	16.5	16.9	17.4	17.9	17.5	17.9	18.4	18.9	18.4	18.8	19.4	20.0	19.4	19.8	20.4	21.0	
Start Kit	NAMA001SC	Temp Rise	30 - 60	HI PR	190	204	216	225	216	232	245	256	246	264	279	291	276	297	314	328	305	329	347	362	
Cond & Evap	Cond	Evap	HSP	LO PR	66	70	76	81	68	73	79	84	72	76	83	89	75	80	87	93	78	83	90	96	
Type	Fan	Blower	TIME	80	MBh	32.9	33.6	35.9	38.4	32.1	32.8	35.1	37.5	31.3	32.0	34.2	36.6	29.8	30.4	32.5	34.7	27.6	28.2	30.1	32.2
Size	20	DD10-8A	150		S/T	0.94	0.88	0.72	0.54	0.96	0.90	0.74	0.55	1.00	0.93	0.76	0.57	1.00	0.97	0.79	0.59	1.00	0.98	0.80	0.59
Motor-HP	1/3	1/3	0.58	AMPS	15.6	15.9	16.3	16.8	16.7	17.0	17.5	18.0	17.6	18.0	18.5	19.1	18.6	19.0	19.5	20.2	19.5	19.9	20.5	21.2	
Type	PSC	PSC		HI PR	192	206	218	227	218	234	248	258	248	267	282	294	279	300	317	331	308	332	351	366	
FLA	1.9	3.1		LO PR	66	70	77	82	69	73	80	85	72	77	84	89	76	81	88	94	78	83	91	97	
LRA	3.8	5.6		85	MBh	33.5	34.1	35.7	38.1	32.7	33.3	34.9	37.2	31.9	32.5	34.0	36.3	30.3	30.9	32.3	34.5	28.0	28.6	29.9	31.9
RPM	1135	1125			S/T	0.99	0.95	0.86	0.70	1.00	0.98	0.88	0.71	1.00	1.00	0.91	0.74	1.00	1.00	0.94	0.77	1.00	1.00	0.95	0.77
Cap MFD/V	5/370	10/370		AMPS	15.7	16.0	16.4	16.9	16.8	17.1	17.6	18.2	17.8	18.1	18.6	19.2	18.7	19.1	19.7	20.3	19.7	20.1	20.7	21.4	
PTCR				HI PR	193	208	220	229	220	237	250	261	251	270	285	297	282	303	320	334	312	335	354	369	
Hi Press				LO PR	67	71	78	83	70	74	81	86	73	78	85	90	77	81	89	95	79	84	92	98	
Low Press				Air Delivery in CFM - Dry Coil - No Filter (Add .05 static for Wet Coil)																					
Operating Chg (No Lines)*	(R-22 Oz)	75		230 Volt	External Static Press (Inch Water Column)																				
Service Driers				Speed Tap	0.2	0.3	0.4	0.5																	
Liquid/Chg	16 Cu In / 11 oz			HI	1260	1190	1135	1075																	
Suction	30 Sq In			MD	1140	1085	1040	990																	
Unit Weight	365			LO	940	915	880	840																	

1096926

Technical Labels

Style No:	PGF036K080 / GPFM36K080 (MED HEAT)			Outdoor Ambient Temperature - Degrees F. Dry Bulb																				
Voltage	208 / 230	Gas Type	NAT	IDB	75				85				95				105				115			
					Entering Indoor Temperature - Degrees F. Wet Bulb																			
Phase	1	Std Input	80		59	63	67	71	59	63	67	71	59	63	67	71	59	63	67	71	59	63	67	71
Ampacity	25	Low Fire Input	-		59	63	67	71	59	63	67	71	59	63	67	71	59	63	67	71	59	63	67	71
Delay Fuse	30	Std Output	64		59	63	67	71	59	63	67	71	59	63	67	71	59	63	67	71	59	63	67	71
Max. Fuse	40	Low Fire Output	-		59	63	67	71	59	63	67	71	59	63	67	71	59	63	67	71	59	63	67	71
Compressor	COPELAND	Regulation	SNAP	HW	70				75				80				85							
					Air Delivery in CFM - Dry Coil - No Filter (Add .05 static for Wet Coil)																			
RLA	16	Manifold Press	3.5		59	63	67	71	59	63	67	71	59	63	67	71	59	63	67	71	59	63	67	71
LRA	82	Std orifice	42		59	63	67	71	59	63	67	71	59	63	67	71	59	63	67	71	59	63	67	71
Cap MFD/V	35 / 440	Low Fire Orifice	-		59	63	67	71	59	63	67	71	59	63	67	71	59	63	67	71	59	63	67	71
CC Heater		Pilot Orifice	0.018		59	63	67	71	59	63	67	71	59	63	67	71	59	63	67	71	59	63	67	71
Start Kit	NAMA001SC		Temp Rise	30 - 60	70				75				80				85							
Cond & Evap	Cond	Evap	Ignition Type	HSP	70				75				80				85							
					Air Delivery in CFM - Dry Coil - No Filter (Add .05 static for Wet Coil)																			
Type	Fan	Blower	Fan On/Off	TIME	70				75				80				85							
Size	20	DD10-8A	Limit Set Max	135	70				75				80				85							
Motor-HP	1/3	1/2	Heat Antic	0.58	70				75				80				85							
Type	PSC	PSC			70				75				80				85							
FLA	1.9	3.1			70				75				80				85							
LRA	3.8	6.8			70				75				80				85							
RPM	1135	1125			70				75				80				85							
Cap MFD/V	5/370	10/370			70				75				80				85							
PTCR					70				75				80				85							
Hi Press					70				75				80				85							
Low Press					70				75				80				85							
Operating Chg (No Lines)*	(R-22 Oz)				70				75				80				85							
Service Driers	75				70				75				80				85							
Liquid/Chg	16 Cu In / 11 oz				70				75				80				85							
Suction	30 Sq In				70				75				80				85							
Unit Weight	365				70				75				80				85							

1096927

Style No:	PGF036K100 / GPFM36K100 (HIGH HEAT)			Outdoor Ambient Temperature - Degrees F. Dry Bulb																				
Voltage	208 / 230	Gas Type	NAT	IDB	75				85				95				105				115			
					Entering Indoor Temperature - Degrees F. Wet Bulb																			
Phase	1	Std Input	100		59	63	67	71	59	63	67	71	59	63	67	71	59	63	67	71	59	63	67	71
Ampacity	25	Low Fire Input	-		59	63	67	71	59	63	67	71	59	63	67	71	59	63	67	71	59	63	67	71
Delay Fuse	30	Std Output	80		59	63	67	71	59	63	67	71	59	63	67	71	59	63	67	71	59	63	67	71
Max. Fuse	40	Low Fire Output	-		59	63	67	71	59	63	67	71	59	63	67	71	59	63	67	71	59	63	67	71
Compressor	COPELAND	Regulation	SNAP	HW	70				75				80				85							
					Air Delivery in CFM - Dry Coil - No Filter (Add .05 static for Wet Coil)																			
RLA	16	Manifold Press	3.5		59	63	67	71	59	63	67	71	59	63	67	71	59	63	67	71	59	63	67	71
LRA	82	Std orifice	42		59	63	67	71	59	63	67	71	59	63	67	71	59	63	67	71	59	63	67	71
Cap MFD/V	35 / 440	Low Fire Orifice	-		59	63	67	71	59	63	67	71	59	63	67	71	59	63	67	71	59	63	67	71
CC Heater		Pilot Orifice	0.122781		59	63	67	71	59	63	67	71	59	63	67	71	59	63	67	71	59	63	67	71
Start Kit	NAMA001SC		Temp Rise	45-75	70				75				80				85							
Cond & Evap	Cond	Evap	Ignition Type	HSP	70				75				80				85							
					Air Delivery in CFM - Dry Coil - No Filter (Add .05 static for Wet Coil)																			
Type	Fan	Blower	Fan On/Off	TIME	70				75				80				85							
Size	20	DD10-8A	Limit Set Max	135	70				75				80				85							
Motor-HP	1/3	1/2	Heat Antic	0.58	70				75				80				85							
Type	PSC	PSC			70				75				80				85							
FLA	1.9	3.1			70				75				80				85							
LRA	3.8	7.5			70				75				80				85							
RPM	1135	1125			70				75				80				85							
Cap MFD/V	5/370	10/370			70				75				80				85							
PTCR					70				75				80				85							
Hi Press					70				75				80				85							
Low Press					70				75				80				85							
Operating Chg (No Lines)*	(R-22 Oz)				70				75				80				85							
Service Driers	75				70				75				80				85							
Liquid/Chg	16 Cu In / 11 oz				70				75				80				85							
Suction	30 Sq In				70				75				80				85							
Unit Weight	370				70				75				80				85							

1096928

Technical Labels

Style No:		PGF042K080/ GPFM42K080 (LOW HEAT)						Outdoor Ambient Temperature - Degrees F. Dry Bulb																															
								75				85				95				105				115															
								Entering Indoor Temperature - Degrees F. Wet Bulb																															
								59				63				67				71				59				63				67				71			
Voltage	208 / 230	Gas Type	NAT	IDB	MBh	36.8	38.1	41.8	-	35.9	37.2	40.8	-	35.0	36.3	39.8	-	33.3	34.5	37.8	-	30.8	32.0	35.0	-														
Phase	1	Std Input	80		S/T	0.74	0.62	0.43	-	0.76	0.64	0.44	-	0.79	0.66	0.46	-	0.82	0.68	0.47	-	0.82	0.69	0.48	-														
Ampacity	28.9	Low Fire Input		70	AMPS	18.2	18.5	19.0	-	19.4	19.8	20.4	-	20.5	21.0	21.6	-	21.7	22.1	22.7	-	22.7	23.2	23.9	-														
Delay Fuse	35	Low Fire Output			HI PR	186	201	212	-	212	228	241	-	241	260	274	-	272	292	309	-	300	323	341	-														
Max. Fuse	45	Gas Valve (HSP)	HW		LO PR	65	69	75	-	67	72	78	-	71	75	82	-	74	79	86	-	77	82	89	-														
Compressor	COPELAND	Regulation	SNAP		MBh	37.4	38.5	41.7	44.8	36.5	37.6	40.7	43.7	35.6	36.7	39.7	42.6	33.9	34.9	37.7	40.5	31.4	32.3	35.0	37.5														
RLA	18.7	Manifold Press	3.5		S/T	0.85	0.76	0.57	0.37	0.87	0.78	0.59	0.38	0.90	0.80	0.61	0.39	0.93	0.83	0.63	0.40	0.94	0.84	0.63	0.41														
LRA	105	Std orifice	45		75	AMPS	18.3	18.7	19.2	19.7	19.6	20.0	20.5	21.2	20.7	21.1	21.7	22.4	21.8	22.3	22.9	23.7	22.9	23.4	24.1	24.9													
Cap MFD/V	40 / 440	Low Fire Orifice			HI PR	188	203	214	223	214	230	243	254	244	263	277	289	274	295	312	325	303	326	345	359														
CC Heater		Pilot Orifice	0.1228		LO PR	66	70	76	81	68	73	79	84	72	76	83	89	75	80	87	93	78	83	90	96														
Start Kit	NAMA001SC	Temp Rise	35 - 65		80	MBh	38.1	38.9	41.6	44.4	37.2	38.0	40.6	43.4	36.3	37.1	39.5	42.3	34.5	35.2	37.6	40.2	31.9	32.6	34.8	37.3													
Cond & Evap	Cond	Evap	HSP		S/T	0.93	0.87	0.71	0.53	0.95	0.89	0.73	0.54	0.98	0.92	0.75	0.56	1.00	0.96	0.78	0.58	1.00	0.96	0.78	0.59														
Type	Fan	Blower	TIME		80	AMPS	18.4	18.8	19.3	19.9	19.7	20.1	20.7	21.4	20.9	21.3	21.9	22.6	22.0	22.5	23.1	23.9	23.1	23.6	24.3	25.1													
Size	20.3	DD11-9A	160		HI PR	190	205	216	225	216	233	246	256	246	265	280	292	277	298	315	329	306	330	348	363														
Motor-HP	1/3	1/2	0.58		LO PR	66	70	77	82	69	73	80	85	72	77	84	89	76	81	88	94	78	83	91	97														
Type	PSC	PSC			85	MBh	38.8	39.5	41.4	44.1	37.8	38.6	40.4	43.1	36.9	37.6	39.4	42.0	35.1	35.7	37.4	39.9	32.5	33.1	34.7	37.0													
FLA	1.9	3.6			S/T	0.97	0.94	0.85	0.69	1.00	0.96	0.87	0.71	1.00	0.99	0.90	0.73	1.00	1.00	0.93	0.76	1.00	1.00	0.94	0.76														
LRA	3.8	7.5			85	AMPS	18.6	18.9	19.4	20.1	19.9	20.3	20.9	21.5	21.0	21.5	22.1	22.8	22.2	22.6	23.3	24.1	23.3	23.8	24.5	25.3													
RPM	1145	1000			HI PR	192	207	218	228	219	235	248	259	249	268	283	295	280	301	318	332	309	333	352	367														
Cap MFD/V	5/440	15/370			LO PR	67	71	78	83	70	74	81	86	73	78	85	90	77	81	89	95	79	84	92	98														
PTCR					Air Delivery in CFM - Dry Coil - No Filter (Add .05 static for Wet Coil)																																		
Hi Press					230 Volt	External Static Press (Inch Water Column)																																	
Low Press					Speed Tap	0.2	0.3	0.4	0.5																														
Operating Chg (No Lines)*	(R-22 Oz)				HI	1770	1740	1710	1670																														
Service Driers					MD	1385	1365	1355	1340																														
Liquid/Chg	16 Cu In / 11 oz				LO	1180	1170	1160	1180																														
Suction	30 Sq In																																						
Unit Weight	410																																						

1098560

Style No:		PGF042K100 / GPFM42K100 (HIGH HEAT)						Outdoor Ambient Temperature - Degrees F. Dry Bulb																															
								75				85				95				105				115															
								Entering Indoor Temperature - Degrees F. Wet Bulb																															
								59				63				67				71				59				63				67				71			
Voltage	208 / 230	Gas Type	NAT	IDB	MBh	36.8	38.1	41.8	-	35.9	37.2	40.8	-	35.0	36.3	39.8	-	33.3	34.5	37.8	-	30.8	32.0	35.0	-														
Phase	1	Std Input	100		S/T	0.74	0.62	0.43	-	0.76	0.64	0.44	-	0.79	0.66	0.46	-	0.82	0.68	0.47	-	0.82	0.69	0.48	-														
Ampacity	28.9	Low Fire Input		70	AMPS	18.2	18.5	19.0	-	19.4	19.8	20.4	-	20.5	21.0	21.6	-	21.7	22.1	22.7	-	22.7	23.2	23.9	-														
Delay Fuse	35	Low Fire Output			HI PR	186	201	212	-	212	228	241	-	241	260	274	-	272	292	309	-	300	323	341	-														
Max. Fuse	45	Gas Valve (HSP)	HW		LO PR	65	69	75	-	67	72	78	-	71	75	82	-	74	79	86	-	77	82	89	-														
Compressor	COPELAND	Regulation	SNAP		MBh	37.4	38.5	41.7	44.8	36.5	37.6	40.7	43.7	35.6	36.7	39.7	42.6	33.9	34.9	37.7	40.5	31.4	32.3	35.0	37.5														
RLA	18.7	Manifold Press	3.5		S/T	0.85	0.76	0.57	0.37	0.87	0.78	0.59	0.38	0.90	0.80	0.61	0.39	0.93	0.83	0.63	0.40	0.94	0.84	0.63	0.41														
LRA	105	Std orifice	42		75	AMPS	18.3	18.7	19.2	19.7	19.6	20.0	20.5	21.2	20.7	21.1	21.7	22.4	21.8	22.3	22.9	23.7	22.9	23.4	24.1	24.9													
Cap MFD/V	40 / 440	Low Fire Orifice			HI PR	188	203	214	223	214	230	243	254	244	263	277	289	274	295	312	325	303	326	345	359														
CC Heater		Pilot Orifice	0.018		LO PR	66	70	76	81	68	73	79	84	72	76	83	89	75	80	87	93	78	83	90	96														
Start Kit	NAMA001SC	Temp Rise	35 - 65		80	MBh	38.1	38.9	41.6	44.4	37.2	38.0	40.6	43.4	36.3	37.1	39.5	42.3	34.5	35.2	37.6	40.2	31.9	32.6	34.8	37.3													
Cond & Evap	Cond	Evap	HSP		S/T	0.93	0.87	0.71	0.53	0.95	0.89	0.73	0.54	0.98	0.92	0.75	0.56	1.00	0.96	0.78	0.58	1.00	0.96	0.78	0.59														
Type	Fan	Blower	TIME		80	AMPS	18.4	18.8	19.3	19.9	19.7	20.1	20.7	21.4	20.9	21.3	21.9	22.6	22.0	22.5	23.1	23.9	23.1	23.6	24.3	25.1													
Size	20.3	DD11-9A	135		HI PR	190	205	216	225	216	233	246	256	246	265	280	292	277	298	315	329	306	330	348	363														
Motor-HP	1/3	1/2	0.58		LO PR	66	70	77	82	69	73	80	85	72	77	84	89	76	81	88	94	78	83	91	97														
Type	PSC	PSC			85	MBh	38.8	39.5	41.4	44.1	37.8	38.6	40.4	43.1	36.9	37.6	39.4	42.0	35.1	35.7	37.4	39.9	32.5	33.1	34.7	37.0													
FLA	1.9	3.6			S/T	0.97	0.94	0.85	0.69	1.00	0.96	0.87	0.71	1.00	0.99	0.90	0.73	1.00	1.00	0.93	0.76	1.00	1.00	0.94	0.76														
LRA	3.8	7.5			85	AMPS	18.6	18.9	19.4	20.1	19.9	20.3	20.9	21.5	21.0	21.5	22.1	22.8	22.2	22.6	23.3	24.1	23.3	23.8	24.5	25.3													
RPM	1145	1000			HI PR	192	207	218	228	219	235	248	259	249	268	283	295	280	301	318	332	309	333	352	367														
Cap MFD/V	5/440	15/370			LO PR	67	71	78	83	70	74	81	86	73	78	85	90	77	81	89	95	79	84	92	98														
PTCR					Air Delivery in CFM - Dry Coil - No Filter (Add .05 static for Wet Coil)																																		
Hi Press					230 Volt	External Static Press (Inch Water Column)																																	
Low Press					Speed Tap	0.2	0.3	0.4	0.5																														
Operating Chg (No Lines)*	(R-22 Oz)				HI	1770	1740	1710	1670																														
Service Driers					MD	1385	1365	1355	1340																														
Liquid/Chg	16 Cu In / 11 oz				LO	1180	1170	1160	1180																														
Suction	30 Sq In																																						
Unit Weight	420																																						

1098561

Technical Labels

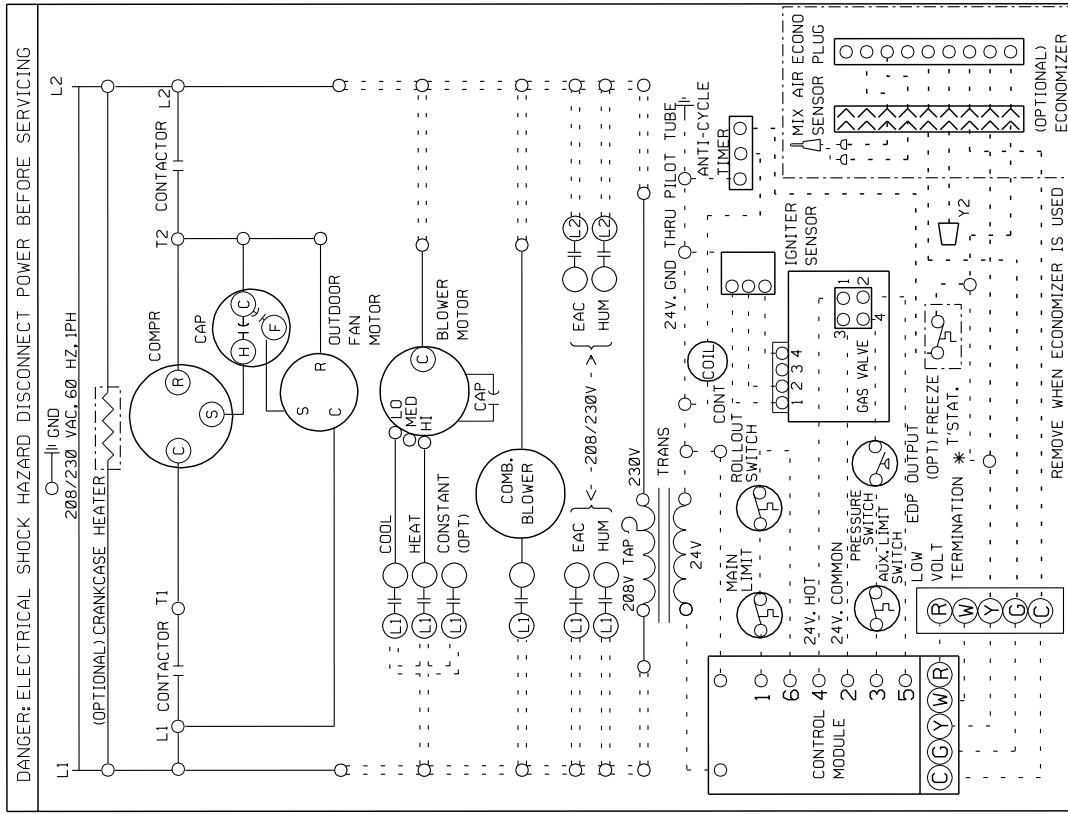
Style No:		PGF048K080 / GPFM48K080 (Low Heat)			outdoor Ambient Temperature - Degrees F. Dry Bulb																									
Voltage	208 / 230	Gas Type	NAT	IDB	75					85					95					105					115					
					Entering Indoor Temperature - Degrees F. Wet Bulb																									
Phase	1	Std Input	80		59	63	67	71	59	63	67	71	59	63	67	71	59	63	67	71	59	63	67	71						
Ampacity	29.4	Low Fire Input																												
Delay Fuse	40	Std Output	64																											
Max. Fuse	50	Low Fire Output			MBh	42.4	43.9	48.1	-	41.4	42.9	47.0	-	40.4	41.8	45.8	-	38.3	39.7	43.5	-	35.5	36.8	40.3	-					
Compressor	COPELAND	Gas Valve (HSP)	HW	70	ST	0.78	0.66	0.45	-	0.80	0.67	0.47	-	0.83	0.69	0.48	-	0.86	0.72	0.50	-	0.87	0.73	0.50	-					
RLA	19.5	Regulation	SNAP		AMPS	19.2	19.6	20.1	-	20.5	20.9	21.5	-	21.7	22.1	22.7	-	22.8	23.3	24.0	-	24.0	24.5	25.2	-					
LRA	102	Manifold Press	3.5		HI PR	184	198	210	-	210	226	238	-	239	257	271	-	269	289	305	-	297	320	337	-					
Cap MFD/V	40 / 440	Std orifice	45		LO PR	66	71	77	-	69	73	80	-	73	77	84	-	76	81	88	-	79	84	91	-					
CC Heater		Low Fire Orifice		75	MBh	43.1	44.4	48.0	51.5	42.1	43.3	46.9	50.3	41.0	42.3	45.7	49.1	39.0	40.1	43.4	46.6	36.1	37.2	40.2	43.2					
Start Kit	NONE	Pilot Orifice	0.018		ST	0.89	0.80	0.60	0.39	0.91	0.82	0.62	0.40	0.94	0.84	0.64	0.41	0.98	0.88	0.66	0.43	0.99	0.88	0.67	0.43					
Cond & Evap	Cond Evap	Temp Rise	35 - 65		AMPS	19.3	19.7	20.2	20.9	20.7	21.1	21.7	22.4	21.9	22.3	22.9	23.6	23.0	23.5	24.2	24.9	24.2	24.7	25.4	26.2					
Type	Fan Blower	Ignition Type	HSP		HI PR	186	200	212	221	212	228	241	251	241	260	274	286	271	292	309	322	300	323	341	356					
Size	20 DD10-9	Fan On/Off	TIME		LO PR	67	71	78	83	70	74	81	86	73	78	85	91	77	82	89	95	79	85	92	98					
Motor-HP	1/3	Limit Set Max	135		MBh	43.9	44.8	47.9	51.2	42.8	43.7	46.7	50.0	41.8	42.7	45.6	48.7	39.7	40.5	43.3	46.3	36.8	37.6	40.1	42.9					
Type	PSC PSC	Heat Antic	0.58		ST	0.98	0.92	0.75	0.56	1.00	0.94	0.77	0.57	1.00	0.97	0.79	0.59	1.00	1.00	0.82	0.61	1.00	1.00	0.83	0.62					
FLA	1.4				AMPS	19.5	19.9	20.4	21.0	20.8	21.3	21.8	22.5	22.0	22.5	23.1	23.8	23.2	23.7	24.4	25.1	24.4	24.9	25.6	26.4					
LRA	3.8				HI PR	188	203	214	223	214	230	243	254	244	262	277	289	274	295	312	325	303	326	344	359					
RPM	1145				LO PR	68	72	79	84	70	75	82	87	74	79	86	92	78	83	90	96	80	85	93	99					
Cap MFD/V	5/440				MBh	44.6	45.5	47.6	50.8	43.6	44.4	46.5	49.6	42.5	43.3	45.4	48.4	40.4	41.2	43.1	46.0	37.4	38.1	39.9	42.6					
PTCR	NONE				ST	1.00	0.99	0.89	0.72	1.00	1.00	0.92	0.74	1.00	1.00	0.94	0.77	1.00	1.00	0.98	0.80	1.00	1.00	0.99	0.80					
Hi Press	NONE				AMPS	19.6	20.0	20.5	21.2	21.0	21.4	22.0	22.7	22.2	22.6	23.3	24.0	23.4	23.9	24.5	25.3	24.6	25.1	25.8	26.6					
Low Press	NONE				HI PR	190	205	216	225	216	233	246	256	246	265	280	292	277	298	315	328	306	329	348	363					
Operating Chg (No Lines)*	(R-22 Oz) 102				LO PR	69	73	80	85	71	76	83	88	75	80	87	93	78	83	91	97	81	86	94	100					
Service Driers					Air Delivery in CFM - Dry Coil - No Filter (Add .05 static for Wet Coil)																									
Liquid/Chg	30 Cu In / 17 oz				230 Volt	External Static Press (Inch Water Column)																								
Suction	30 Sq In				Speed Tap	0.2	0.3	0.4	0.5																					
Unit Weight	490				HI	1770	1740	1710	1670																					
					MD	1385	1365	1355	1340																					
					LO	1180	1170	1160	1150																					
					1096931																									

Style No:		PGF048K120 / GPFM48K120 (High Heat)			outdoor Ambient Temperature - Degrees F. Dry Bulb																									
Voltage	208 / 230	Gas Type	NAT	IDB	75					85					95					105					115					
					Entering Indoor Temperature - Degrees F. Wet Bulb																									
Phase	1	Std Input	120		59	63	67	71	59	63	67	71	59	63	67	71	59	63	67	71	59	63	67	71						
Ampacity	29.9	Low Fire Input																												
Delay Fuse	40	Std Output	96																											
Max. Fuse	50	Low Fire Output			MBh	42.4	43.9	48.1	-	41.4	42.9	47.0	-	40.4	41.8	45.8	-	38.3	39.7	43.5	-	35.5	36.8	40.3	-					
Compressor	COPELAND	Gas Valve (HSP)	HW	70	ST	0.78	0.66	0.45	-	0.80	0.67	0.47	-	0.83	0.69	0.48	-	0.86	0.72	0.50	-	0.87	0.73	0.50	-					
RLA	19.5	Regulation	SNAP		AMPS	19.2	19.6	20.1	-	20.5	20.9	21.5	-	21.7	22.1	22.7	-	22.8	23.3	24.0	-	24.0	24.5	25.2	-					
LRA	102	Manifold Press	3.5		HI PR	184	198	210	-	210	226	238	-	239	257	271	-	269	289	305	-	297	320	337	-					
Cap MFD/V	40 / 440	Std orifice	42		LO PR	66	71	77	-	69	73	80	-	73	77	84	-	76	81	88	-	79	84	91	-					
CC Heater		Low Fire Orifice		75	MBh	43.1	44.4	48.0	51.5	42.1	43.3	46.9	50.3	41.0	42.3	45.7	49.1	39.0	40.1	43.4	46.6	36.1	37.2	40.2	43.2					
Start Kit	NAMA001SC	Pilot Orifice	0.018		ST	0.89	0.80	0.60	0.39	0.91	0.82	0.62	0.40	0.94	0.84	0.64	0.41	0.98	0.88	0.66	0.43	0.99	0.88	0.67	0.43					
Cond & Evap	Cond Evap	Temp Rise	40-70		AMPS	19.3	19.7	20.2	20.9	20.7	21.1	21.7	22.4	21.9	22.3	22.9	23.6	23.0	23.5	24.2	24.9	24.2	24.7	25.4	26.2					
Type	Fan Blower	Ignition Type	HSP		HI PR	186	200	212	221	212	228	241	251	241	260	274	286	271	292	309	322	300	323	341	356					
Size	20 DD11-11	Fan On/Off	TIME		LO PR	67	71	78	83	70	74	81	86	73	78	85	91	77	82	89	95	79	85	92	98					
Motor-HP	1/3	Limit Set Max	135		MBh	43.9	44.8	47.9	51.2	42.8	43.7	46.7	50.0	41.8	42.7	45.6	48.7	39.7	40.5	43.3	46.3	36.8	37.6	40.1	42.9					
Type	PSC PSC	Heat Antic	0.58		ST	0.98	0.92	0.75	0.56	1.00	0.94	0.77	0.57	1.00	0.97	0.79	0.59	1.00	1.00	0.82	0.61	1.00	1.00	0.83	0.62					
FLA	1.9				AMPS	19.5	19.9	20.4	21.0	20.8	21.3	21.8	22.5	22.0	22.5	23.1	23.8	23.2	23.7	24.4	25.1	24.4	24.9	25.6	26.4					
LRA	3.8				HI PR	188	203	214	223	214	230	243	254	244	262	277	289	274	295	312	325	303	326	344	359					
RPM	1145				LO PR	68	72	79	84	70	75	82	87	74	79	86	92	78	83	90	96	80	85	93	99					
Cap MFD/V	5/440				MBh	44.6	45.5	47.6	50.8	43.6	44.4	46.5	49.6	42.5	43.3	45.4	48.4	40.4	41.2	43.1	46.0	37.4	38.1	39.9	42.6					
PTCR	NONE				ST	1.00	0.99	0.89	0.72	1.00	1.00	0.92	0.74	1.00	1.00	0.94	0.77	1.00	1.00	0.98	0.80	1.00	1.00	0.99	0.80					
Hi Press	NONE				AMPS	19.6	20.0	20.5	21.2	21.0	21.4	22.0	22.7	22.2	22.6	23.3	24.0	23.4	23.9	24.5	25.3	24.6	25.1	25.8	26.6					
Low Press	NONE				HI PR	190	205	216	225	216	233	246	256	246	265	280	292	277	298	315	328	306	329	348	363					
Operating Chg (No Lines)*	(R-22 Oz) 102				LO PR	69	73	80	85	71	76	83	88	75	80	87	93	78	83	91	97	81	86	94	100					
Service Driers					Air Delivery in CFM - Dry Coil - No Filter (Add .05 static for Wet Coil)																									
Liquid/Chg	30 Cu In / 17 oz				230 Volt	External Static Press (Inch Water Column)																								
Suction	30 Sq In				Speed Tap	0.2	0.3	0.4	0.5																					
Unit Weight	500				HI	1810	1790	1780	1700																					
					MD	1400	1380	1350	1335																					
					LO	1230	1210	1190	1100																					
					1096932																									

RGF/C060K100 / GFF/CM60K100 (Low Heat)				Outdoor Ambient Temperature - Degrees F. Dry Bulb																				
		Gas Type		NAT	75				85				95				105				115			
Voltage	208 / 230	Std Input		100	Entering Indoor Temperature - Degrees F. Wet Bulb																			
Phase	1	Low Fire Input		IDB	59	63	67	71	59	63	67	71	59	63	67	71	59	63	67	71	59	63	67	71
Ampacity	45	Std Output		80	MEH				ST				AMFS				HFR				LOFR			
Delay Fuse	60	Low Fire Output		80	54.5	56.4	61.8	-	53.2	55.1	60.4	-	51.9	53.8	58.9	-	49.3	51.1	55.9	-	45.6	47.3	51.8	-
Max. Fuse	70	Gas Valve (HSF)		HW	27.3				29.3				31.0				32.7				34.4			
Compressor	SCROLL	Regulation		SNAP	194				220				251				282				312			
FLA	29.7	Manifold Press		3.5	64				67				70				73				76			
LRA	170	Std orifice		42	55.4				54.1				52.7				50.1				46.4			
Cap MFD/V	55 / 440	Low Fire Orifice		42	0.85				0.87				0.90				0.93				0.94			
CC Heater		Flot Orifice		0.018	27.5				29.5				31.2				33.0				34.7			
Start Kit	NAMA001SC	Temp Rise		50-60	196				223				254				285				315			
Cond & Evap	Cond / Evap	Ignition Type		HSP	65				67				71				74				77			
Type	Fan / Bower	Fan On/Off		TIME	56.4				55.0				53.7				51.0				47.2			
Size	20 / DD121	Limit Set Max		135	0.93				0.95				0.98				1.00				1.00			
Motor-HP	1/3 / 1	Heat Antic		0.58	27.7				29.7				31.5				33.3				35.0			
Type	PSC / PSC				198				225				256				288				318			
FLA	1.9 / 6				65				68				71				75				77			
LRA	3.8 / 15.1				57.3				56.0				54.6				51.9				48.1			
RFM	1145 / 1140				0.97				1.00				1.00				1.00				1.00			
Cap MFD/V	5/440 / 20/370				27.9				30.0				31.7				33.5				35.3			
PTCR					200				227				259				291				321			
H Press					66				69				72				76				78			
Low Press					70				73				77				80				83			
Operating Ch (No Lines)*	(R22 Oz) 136				Air Delivery in CFM - Dry Coil - No Filter (Add .05 static for Wet Coil)																			
Service Driers					230 Volt External Static Press (Inch Water Column)																			
Liquid/Chg Suction	30 Cu In / 17 oz / 30 Sq In				Speed Tap																			
Unit Weight	510				H																			
					MDH																			
					MD																			
					LO																			
																					1114038			
RGF/C060K140 / GFF/CM60K140 (High Heat)				Outdoor Ambient Temperature - Degrees F. Dry Bulb																				
		Gas Type		NAT	75				85				95				105				115			
Voltage	208 / 230	Std Input		140	Entering Indoor Temperature - Degrees F. Wet Bulb																			
Phase	1	Low Fire Input		IDB	59	63	67	71	59	63	67	71	59	63	67	71	59	63	67	71	59	63	67	71
Ampacity	45	Std Output		112	MEH				ST				AMFS				HFR				LOFR			
Delay Fuse	60	Low Fire Output		112	54.5	56.4	61.8	-	53.2	55.1	60.4	-	51.9	53.8	58.9	-	49.3	51.1	55.9	-	45.6	47.3	51.8	-
Max. Fuse	70	Gas Valve (HSF)		HW	27.3				29.3				31.0				32.7				34.4			
Compressor	SCROLL	Regulation		SNAP	194				220				251				282				312			
FLA	29.7	Manifold Press		3.5	64				67				70				73				76			
LRA	170	Std orifice		42	55.4				54.1				52.7				50.1				46.4			
Cap MFD/V	55 / 440	Low Fire Orifice		42	0.85				0.87				0.90				0.93				0.94			
CC Heater		Flot Orifice		0.018	27.5				29.5				31.2				33.0				34.7			
Start Kit	NAMA001SC	Temp Rise		40-70	196				223				254				285				315			
Cond & Evap	Cond / Evap	Ignition Type		HSP	65				67				71				74				77			
Type	Fan / Bower	Fan On/Off		TIME	56.4				55.0				53.7				51.0				47.2			
Size	20 / DD121	Limit Set Max		135	0.93				0.95				0.98				1.00				1.00			
Motor-HP	1/3 / 1	Heat Antic		0.58	27.7				29.7				31.5				33.3				35.0			
Type	PSC / PSC				198				225				256				288				318			
FLA	1.9 / 6				65				68				71				75				77			
LRA	3.8 / 15.1				57.3				56.0				54.6				51.9				48.1			
RFM	1145 / 1140				0.97				1.00				1.00				1.00				1.00			
Cap MFD/V	5/440 / 20/370				27.9				30.0				31.7				33.5				35.3			
PTCR					200				227				259				291				321			
H Press					66				69				72				76				78			
Low Press					70				73				77				80				83			
Operating Ch (No Lines)*	(R22 Oz) 136				Air Delivery in CFM - Dry Coil - No Filter (Add .05 static for Wet Coil)																			
Service Driers					230 Volt External Static Press (Inch Water Column)																			
Liquid/Chg Suction	30 Cu In / 17 oz / 30 Sq In				Speed Tap																			
Unit Weight	520				H																			
					MDH																			
					MD																			
					LO																			

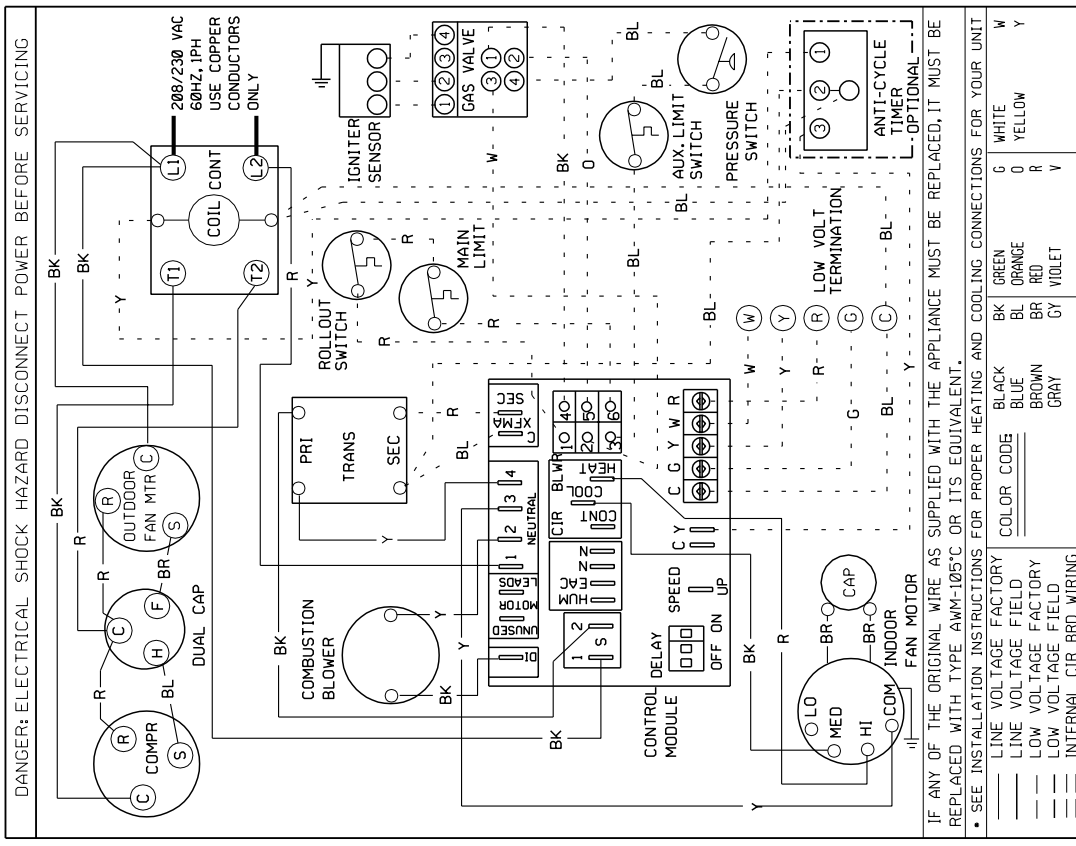
5 Ton Units

LADDER WIRING DIAGRAM



1084196

CONNECTION WIRING DIAGRAM



1084195