

Parts List, Technical Labels, & Wiring Diagrams

Small Chassis Models

PGAD24B1K6	PGME24G0406
PGAD24D1K6	PGME24G0906
PGAD30D1K6	PGME30G0906
PGAD36D1K6	PGME36G0906
PGAD36E1K6	PGME36G1156

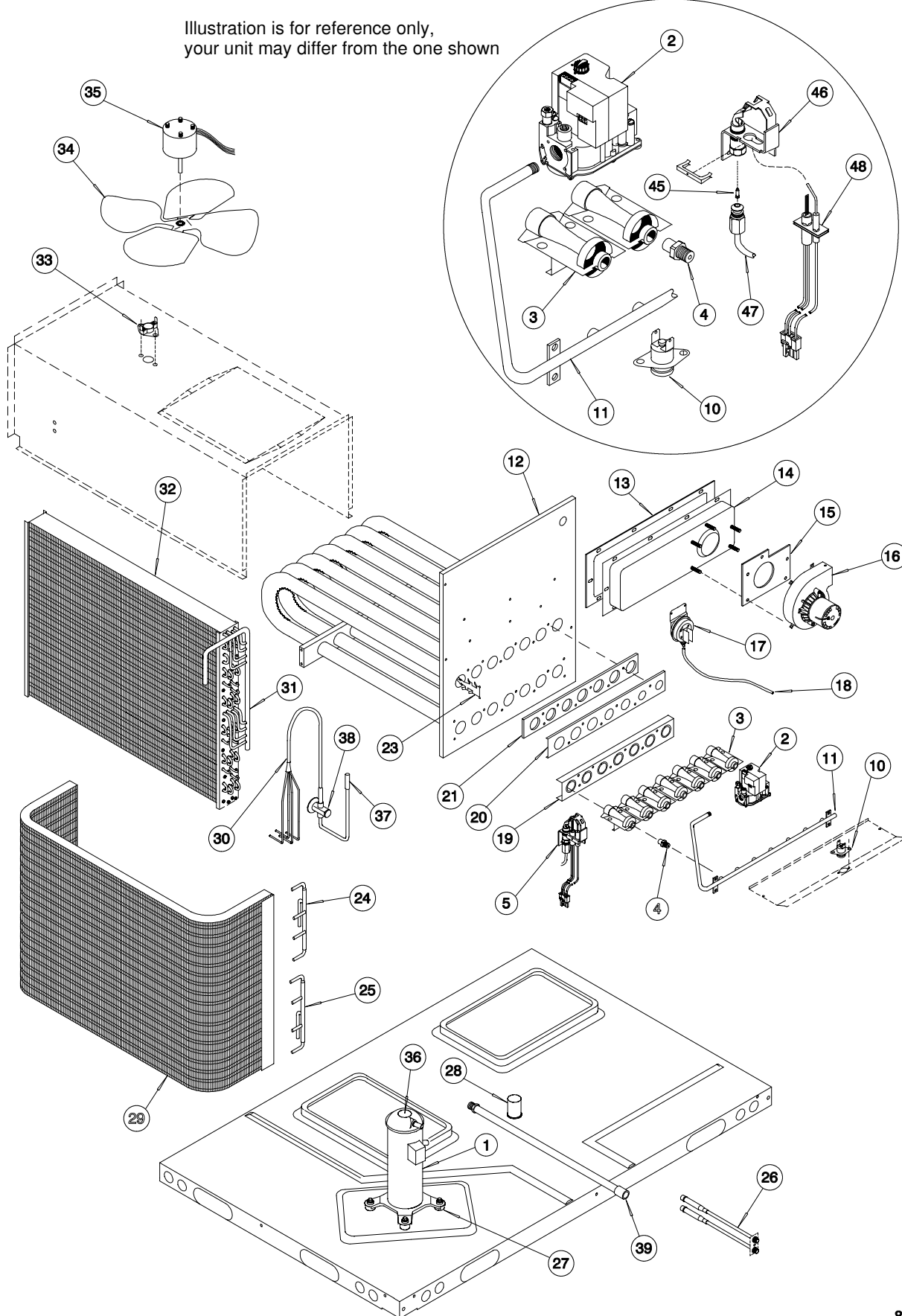
Package Gas-Electric Combination Units



This picture is for reference only, your unit may differ from the one shown.

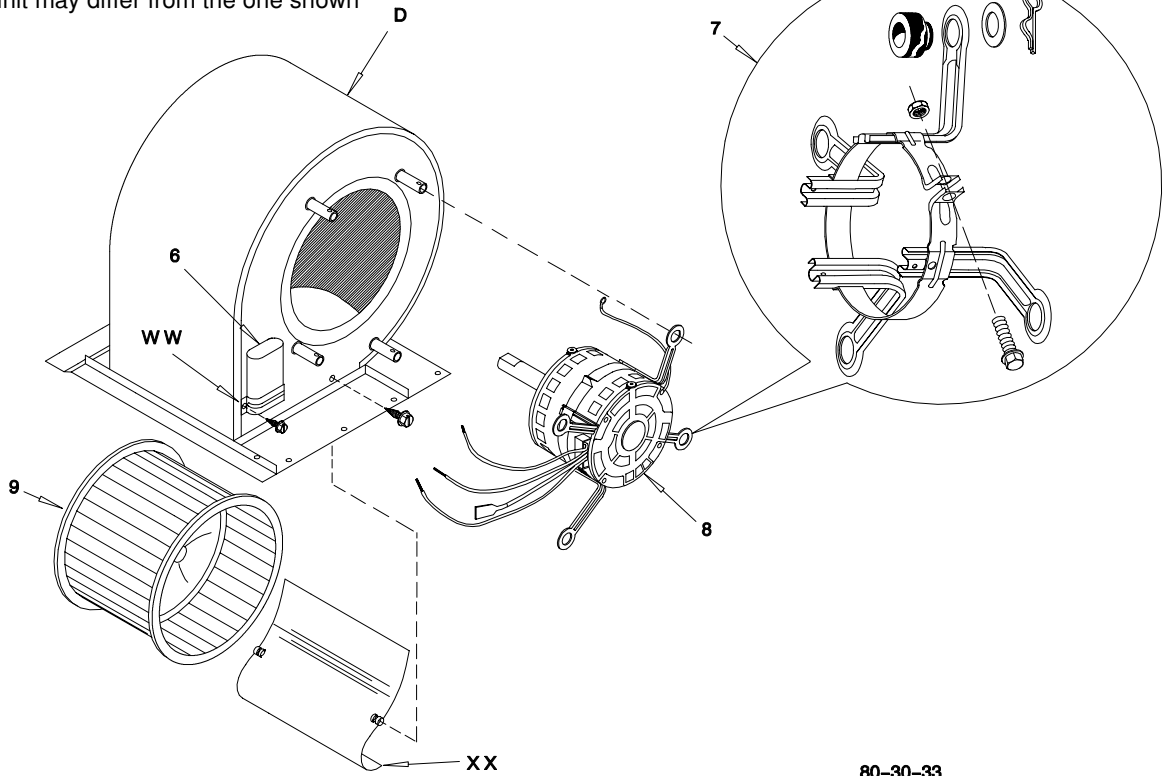
Functional Parts - See Pages 5 and 6 for Parts Identification

Illustration is for reference only,
your unit may differ from the one shown

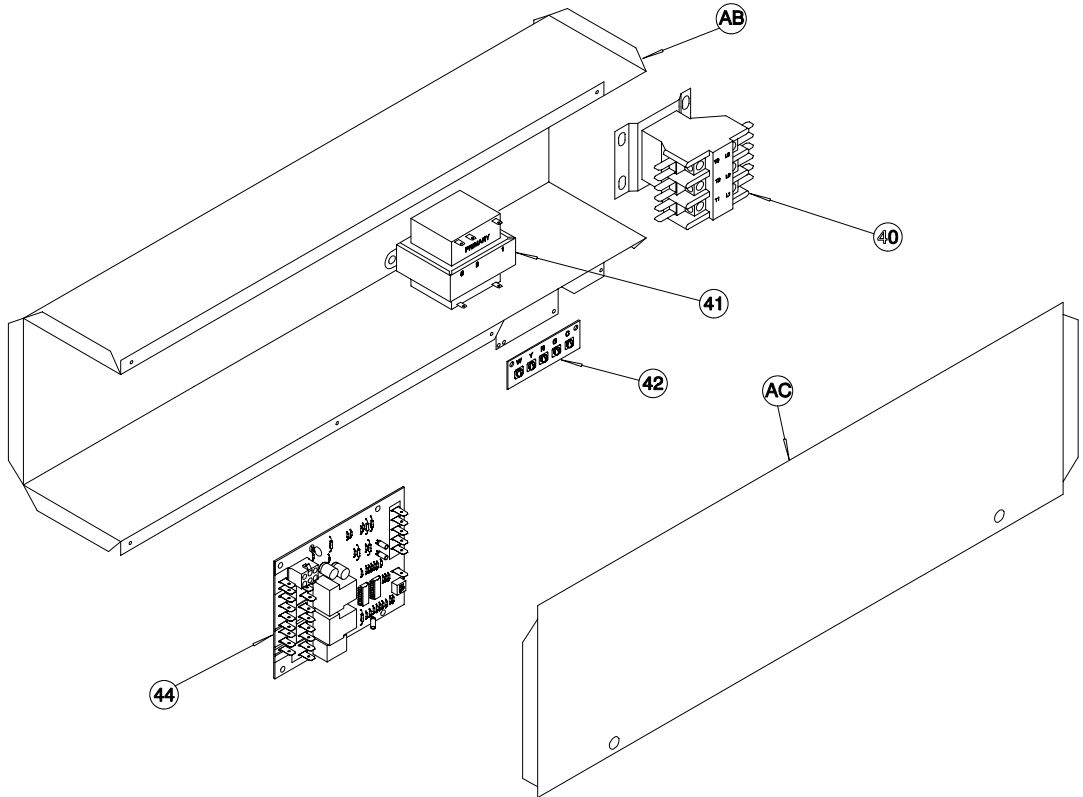


Blower & Control Box Assemblies - See Pages 5 and 6 for Parts Identification

Illustration is for reference only,
your unit may differ from the one shown



80-30-33



80-31-28

MODELS

PGAD24B1K6, PGAD24D1K6, PGAD30D1K6, PGAD36D1K6, PGAD36E1K6
 PGME24G0406, PGME24G0906, PGME30G0906, PGME36G0906, PGME36G1156

	DESCRIPTION	PART NO.	24B /040	24D /090	30D /090	36D /090	36E /115
1	Compressor, ZR22K3PFV	1082755	1	1			
1	ZR28K3PFV	1082756	*	*	1		
1	ZR34K3PFV	1081881	*	*	*	1	1
2	Valve, Gas (Nat. & L.P.)	1011024	1	1	1	1	1
3	Burner Assembly	1009178	1				
3		1008725	*	1	1	1	
3		1008726	*	*	*	*	1
4	Orifice, Burner Nat. Gas (No. 44)	1065253	2				
4	Nat. Gas (No. 43)	1065252	*	4	4	4	5
4	L.P. Gas (No. 55)	1065255	2				
4	L.P. Gas (No. 54)	1004142	*	4	4	4	5
5	Burner, Pilot/Ign/Sen (Nat. & L.P.)	1149856	1	1	1	1	1
6	Capacitor, 5Mfd.,370Volt	1094954	1				
6	7.5Mfd.,370Volt	1094239	*	1	1		
6	15Mfd.,370Volt	1094959	*	*	*	1	1
7	Mount, Blower Motor Kit	1095236	1				
7		1004905	*	1	1		
7		1002804	*	*	*	1	1
8	Motor, Blower 1/4Hp	1054630	1				
8	1/3Hp	1054629	*	1	1		
8	1/2Hp	1065279	*	*	*	1	1
9	Wheel, Blower 10-6DD	611795	1				
9	10-8DD	600587	*	1	1		
9	11-9DD	1065361	*	*	*	1	1
10	Switch, Limit -Rollout 250F	1005548	1				
10	300F	1005549	*	1	1	1	1
11	Manifold, Gas	1004138	1				
11		1004140	*	1	1	1	
11		1004141	*	*	*	*	1
12	Heat Exchanger	1061247	1				
12		1061249	*	1	1	1	
12		1061250	*	*	*	*	1
13	Gasket, Collector Box	1065209	1	1	1	1	1
14	Box, Collector	1065256	1	1	1	1	1
15	Gasket, Blower	607014	1	1	1	1	1
16	Blower, Exhaust	1054268	1	1	1	1	1
17	Switch, Vent Pressure	1083165	1	1	1	1	1
18	Tube, Sensor	1003687	1	1	1	1	1

	DESCRIPTION	PART NO.	24B /040	24D /090	30D /090	36D /090	36E /115
19	Plate, Injector	1084328	1				
19		1084330	*	1	1	1	
19		1084331	*	*	*	*	1
20	Plate, Restrictor	1054397	1				
20		1054395	*	1	1	1	
20		1054394	*	*	*	*	1
21	Gasket, Restrictor Plate	1065216	1				
21		1065214	*	1	1	1	
21		1065213	*	*	*	*	1
23	Turbulator, Outlet	1054516	2	4	4	4	5
24	Manifold, Condenser (Discharge)	1066313	1	1	1		
24		1082364	*	*	*	1	1
25	Manifold, Condenser (Liquid)	1082241	*	*	*	1	1
26	Port Valve Assembly	1083939	1	1	1	1	1
27	Grommet, Comp. Mtg.	1052060	4	4	4	4	4
28	Capacitor, 40+3Mfd.,370Volt	1082633	1	1			
28	40+5Mfd.,370Volt	1084424	*	*	1		
28	50+5Mfd.,370Volt	1094993	*	*	*	1	1
29	Coil, Condenser	1066915	1	1	1		
29		1082228	*	*	*	1	1
30	Tube, Feeder Assembly	1066082	1	1			
30		1065888	*	*	1		
30		1082255	*	*	*	1	1
31	Manifold, Evap	1066055	1	1			
31		1066349	*	*	1		
31		1082232	*	*	*	1	1
32	Coil, Evaporator	1066069	1	1			
32		1066070	*	*	1		
32		1082247	*	*	*	1	1
33	Switch, Limit-Blower Deck 160F	1065207	1			1	
33	135F	1065295	*	1	1		
33	140F	1065294	*	*	*	*	1
34	Fan, Condenser	1099654	1	1			
34		1099656	*	*	1	1	1
35	Motor, Condenser Fan	1086598	1	1			
35		1085926	*	*	1	1	1
37	Tube, w / Strainer	512924	1	1	1	1	1
38	Valve, Expansion	1062700	1	1	1		
38		1082238	*	*	*	1	1

	DESCRIPTION	PART NO.	24B /040	24D /090	30D /090	36D /090	36E /115
39	Tube, Drain	1069172	1	1	1	1	1
40	Contactora 25 Amp.	1050699	1	1	1	1	1
41	Transformer	1082611	1	1	1	1	1
42	Board, Terminal Lo Voltage	612254	1	1	1	1	1
44	Timer, Fan	1009837	1	1	1	1	1
45	Orifice, Pilot Burner (Nat. Gas) .020	1160403	1	1	1	1	1
45	(L.P. Gas) .011	1009136	1	1	1	1	1
47	Tube, Pilot	64930	1	1	1	1	1
48	Ignitor & Sensor	1009524	1	1	1	1	1
57	Plug, Compressor Harness	1083811	1	1	1	1	1
A	Grille, Outlet	1064541	1	1	1	1	1
AA	Panel, Supply Air	1068165	1	1	1	1	1
AB	Box, Control	1054384	1	1	1	1	1
AC	Cover, Control Box	1054475	1	1	1	1	1
B	Panel, Top	1068191	1	1	1	1	1
BB	Pan, Drain	1065795	1	1	1	1	1
C	Orifice, Condenser Fan	1065724	1	1	1	1	1
CC	Partition, Return Air	1065033	1	1	1	1	1
D	Housing, Blower	1065299	1				
D		1065300	*	1	1		
D		1066454	*	*	*	1	1
DD	Cover, Duct	1068159	2	2	2	2	2
E	Deck, Blower	1065404	1	1	1	1	1
EE	Partition, Heat / Cool	1066331	1	1	1	1	1
F	Baffle, Air	1065258	1				
FF	Bracket, Supply Air	1054524	1	1	1	1	1
G	Panel, Access-Heat Exc.	1068180	1	1	1	1	1
GG	Baffle, Evap Blower (Air)	1066409	1	1	1	1	1
H	Shield, Burner	1054449	1				
H		1054422	*	1	1	1	
H		1054267	*	*	*	*	1

	DESCRIPTION	PART NO.	24B /040	24D /090	30D /090	36D /090	36E /115
HH	Cover, Evap Upper	1066332	1	1	1	1	1
J	Support, Manifold	1084327	2	2	2	2	2
JJ	Cover, Evap Lower	1066333	1	1	1	1	1
K	Bracket, Ignitor	1054275	1	1	1	1	1
L	Hood, Flue Exhaust	1054269	1	1	1	1	1
LL	Nut, Cap	1067902	4	4	4	4	4
M	Support, Flue	1054511	1	1	1	1	1
N	Bracket, Evaporator	1099106	1	1	1	1	1
O	Extension, Blower	1054461	1	1	1	1	1
P	Gasket, Extension	1065260	1	1	1	1	1
Q	Post, Corner (Heating)	1068187	1	1	1	1	1
R	Panel, Access (Gas)	1068183	1	1	1	1	1
S	Panel, Pressure Port	1068182	1	1	1	1	1
T	Plate, Pressure Port	1068189	1	1	1	1	1
W	Post, Return Air	1068167	2	2	2	2	2
WW	Clamp, Capacitor	1095021	1	1			
WW	Clamp, Capacitor	1095020			1	1	1
X	Rail, Base	1065001	4	4	4	4	4
XX	Panel, Blower Cutoff	611796	1				
XX		95143	*	1	1		
XX		1066448	*	*	*	1	1
Y	Panel, Base	1065031	1	1	1	1	1
Z	Panel, Return Air	1068166	1	1	1	1	1
Z1	Grille, Inlet (Side)	1082186	1	1	1	1	1
Z2	Grille, Inlet (End)	1082053	1	1	1	1	1
)(Gas Conversion Kit (Nat. to L.P.)	1149742	1				
)(1149744	*	1	1	1	
)(1149745	*	*	*	*	1
)(Gas Conversion Kit (L.P. to Nat.)	1148141	1				
)(1148142	*	1	1	1	1
)(Manual, User's Information		1	1	1	1	1
)(Manual, Installation		1	1	1	1	1

Style No: PGAD24B1K / PGME24G040				Outdoor Ambient Temperature - Degrees F. Dry Bulb																																													
Voltage		208 / 230		Gas Type		NAT		75					85					95					105					115																					
Phase		1		Std Input		40		Entering Indoor Temperature - Degrees F. Wet Bulb																																									
Ampacity		17.9		Low Fire Input		-		IDB		59					63					67					71																								
Wire Ga/Ft		14 / 30		Std Output		31		MBH		22.3					23.1					25.3					-																								
Delay Fuse		25		Low Fire Output		-		S/T		0.74					0.62					0.43					-																								
Max. Fuse		25		Gas Valve (HSP)		HW		70		AMPS					8.2					8.4					8.6					-																			
Compressor		COPELAND		Regulation		SNAP		HI PR		168					181					191					-																								
RLA		11.4		Manifold Press		3.5		LO PR		66					70					76					-																								
LRA		56		Std orifice		44		MBH		22.7					23.4					25.3					27.1																								
Cap MFD/V		40 / 370		Low Fire Orifice		-		S/T		0.85					0.76					0.57					0.37																								
CC Heater		-		Pilot Orifice		0.123		75		AMPS					8.3					8.5					8.7					9.0																			
Start Kit		NAMA001SC		Temp Rise		30-60		HI PR		169					182					193					201																								
Cond & Evap		Cond		Evap		Ignition Type		HSP		LO PR					66					71					77					82																			
Type		Fan		Blower		Fan On/Off		TIME		80		MBH					23.1					23.6					25.2					26.9																	
Size		20		DD10-6A		Limit Set Max		160		S/T		0.93					0.87					0.71					0.53																						
Motor-HP		1/5		1/4		Heat Antic		0.58		AMPS		8.3					8.5					8.8					9.1																						
Type		PSC		PSC						HI PR		171					184					195					203																						
FLA		1		2.1						LO PR		67					71					78					83																						
LRA		2.36		3.08						MBH		23.5					23.9					25.1					26.8																						
RPM		1075		1050						S/T		0.97					0.94					0.85					0.69																						
Cap MFD/V		3/370		5/370						85		AMPS					8.4					8.6					8.9					9.2																	
PTCR										HI PR		173					186					196					205																						
Hi Press										LO PR		68					72					79					84																						
Low Press												70					75					82					87																						
Operating Chg (No Lines)*		(R-22 Oz)		73						Air Delivery in CFM - Dry Coil - No Filter (Add .05 static for Wet Coil)																																							
Service Driers										230 Volt					Ext. Static Press (Inch Water Column)					208 Volt					Ext. Static Press (Inch Water Column)																								
Liquid/Chg Suction		8 Cu In / 7 oz		30 Sq In						Speed Tap					0.1					0.2					0.3					0.4					0.5					0.6					0.7				
Unit Weight		410								HI					-					995					960					925					880					835					780				
										MD HI					-					825					805					775					745					705					660				
										MD LO					-					725					705					675					650					615					570				
										LO					-					620					605					585					565					530					485				

Style No: PGAD30D1K / PGME30G090				Outdoor Ambient Temperature - Degrees F. Dry Bulb																																	
Voltage		Gas Type		NAT		75				85				95				105				115															
Phase		Std Input		90		Entering Indoor Temperature - Degrees F. Wet Bulb																															
Ampacity		Low Fire Input		75		59				63				67				71				59				63				67				71			
Wire Ga/Ft	12 / 40	Std Output	69	70	IDB	MBh	27.9	28.9	31.7	-	27.2	28.2	30.9	-	26.6	27.5	30.2	-	25.2	26.1	28.6	-	23.4	24.2	26.5	-											
Delay Fuse	25	Low Fire Output	59			S/T	0.73	0.81	0.43	-	0.75	0.63	0.44	-	0.78	0.65	0.45	-	0.81	0.67	0.47	-	0.81	0.68	0.47	-											
Max. Fuse	30	Gas Valve (HSP)	HW			AMPS	10.2	10.4	10.7	-	11.0	11.3	11.6	-	11.7	12.0	12.4	-	12.4	12.7	13.1	-	13.2	13.5	13.9	-											
Compressor	COPELAND	Regulation	SNAP			HI PR	178	192	203	-	203	218	231	-	231	249	263	-	260	280	295	-	287	309	326	-											
RLA	15	Manifold Press	3.5	LO PR	66	70	76	-	68	73	79	-	72	76	83	-	75	80	87	-	78	83	90	-													
LRA	72.5	Std orifice	43	75	IDB	MBh	28.4	29.2	31.6	33.9	27.7	28.5	30.8	33.1	27.0	27.8	30.1	32.3	25.7	26.4	28.6	30.7	23.8	24.5	26.5	28.4											
Cap MFD/V	45 / 370	Low Fire Orifice	46			S/T	0.84	0.75	0.57	0.36	-	0.86	0.77	0.58	0.37	-	0.88	0.79	0.60	0.38	-	0.92	0.82	0.62	0.40	-											
CC Heater		Pilot Orifice	0.018			AMPS	10.2	10.5	10.8	11.2	-	11.1	11.4	11.7	12.1	-	11.8	12.1	12.5	12.9	-	12.6	12.8	13.3	13.8	-											
Start Kit	NAMA001SC	Temp Rise	45-75			HI PR	180	194	205	214	-	205	221	233	243	-	233	251	265	277	-	263	283	298	311	-											
Cond & Evap	Cond	Evap	Ignition Type	HSP	LO PR	66	71	77	82	-	69	73	80	85	-	72	77	84	90	-	76	81	88	94	-												
Type	Fan	Blower	Fan On/Off	TIME	80	IDB	MBh	28.9	29.5	31.5	33.7	28.2	28.8	30.8	32.9	27.5	28.1	30.0	32.1	26.1	26.7	28.5	30.5	24.2	24.7	26.4	28.2										
Size	20	DD10-8A	Limit Set Max	135			S/T	0.92	0.86	0.70	0.52	-	0.94	0.88	0.72	0.54	-	0.97	0.91	0.74	0.55	-	1.00	0.94	0.77	0.57	-										
Motor-HP	1/3	1/3	Heat Antic	0.58			AMPS	10.3	10.6	10.9	11.3	-	11.2	11.5	11.8	12.2	-	11.9	12.2	12.6	13.1	-	12.7	13.0	13.4	13.9	-										
Type	PSC	PSC					HI PR	182	196	207	216	-	207	223	235	245	-	236	254	268	280	-	265	286	302	314	-										
FLA	1.4	2.3			LO PR	67	71	78	83	-	70	74	81	86	-	73	78	85	91	-	77	82	89	95	-												
LRA	3.7	4.1			85	IDB	MBh	29.4	29.9	31.3	33.4	28.7	29.2	30.6	32.6	28.0	28.5	29.9	31.8	26.6	27.1	28.4	30.3	24.6	25.1	26.3	28.0										
RPM	1075	1100					S/T	0.96	0.93	0.84	0.68	-	0.98	0.95	0.86	0.70	-	1.00	0.98	0.89	0.72	-	1.00	1.00	0.92	0.75	-										
Cap MFD/V	5/370	5/370					AMPS	10.4	10.7	11.0	11.4	-	11.3	11.6	11.9	12.4	-	12.0	12.3	12.7	13.2	-	12.8	13.1	13.5	14.0	-										
PTCR							HI PR	184	198	209	218	-	209	225	238	248	-	238	256	271	282	-	268	288	305	318	-										
Hi Press					LO PR	68	72	79	84	-	70	75	82	87	-	74	79	86	91	-	77	82	90	96	-												
Low Press					Air Delivery in CFM - Dry Coil - No Filter (Add .05 static for Wet Coil)																																
Operating Chg (No Lines)*	(R-22 Oz)	78			230 Volt				Ext. Static Press (Inch Water Column)				208 Volt				Ext. Static Press (Inch Water Column)																				
Service Driers					Speed Tap	0.1	0.2	0.3	0.4	0.5	0.6	0.7	Speed Tap	0.1	0.2	0.3	0.4	0.5	0.6	0.7																	
Liquid/Chg	8 Cu In / 7 oz				HI	-	1175	1120	1055	990	920	840	HI	-	1090	1040	985	925	855	780																	
Suction	30 Sq In				MD HI	-	955	915	870	815	755	695	MD HI	-	825	790	750	705	650	580																	
Unit Weight	425				MD LO	-	-	-	-	-	-	-	MD LO	-	-	-	-	-	-	-																	
					LO	-	790	760	730	690	645	585	LO	-	670	645	620	585	540	485					1113275												

Style No: PGAD36D1K / PGME36G090				Outdoor Ambient Temperature - Degrees F. Dry Bulb																																	
Voltage		Gas Type		NAT		75				85				95				105				115															
Phase		Std Input		90		Entering Indoor Temperature - Degrees F. Wet Bulb																															
Ampacity		Low Fire Input		75		59				63				67				71				59				63				67				71			
Wire Ga/Ft	10 / 50	Std Output	70	70	IDB	MBh	32.0	33.1	36.3	-	31.2	32.3	35.4	-	30.4	31.6	34.6	-	28.9	30.0	32.8	-	26.8	27.8	30.4	-											
Delay Fuse	35	Low Fire Output	59			S/T	0.76	0.64	0.44	-	0.78	0.65	0.45	-	0.81	0.68	0.47	-	0.84	0.70	0.49	-	0.85	0.71	0.49	-											
Max. Fuse	40	Gas Valve (HSP)	HW			AMPS	13.2	13.4	13.8	-	14.1	14.4	14.7	-	14.9	15.1	15.6	-	15.6	15.9	16.4	-	16.4	16.7	17.2	-											
Compressor	COPELAND	Regulation	SNAP			HI PR	167	180	190	-	190	205	216	-	216	233	246	-	244	262	277	-	269	290	306	-											
RLA	17.9	Manifold Press	3.5	LO PR	63	67	73	-	65	69	76	-	68	73	79	-	72	76	83	-	74	79	86	-													
LRA	90.5	Std orifice	43	75	IDB	MBh	32.5	33.5	36.2	38.9	31.7	32.7	35.4	38.0	31.0	31.9	34.5	37.0	29.4	30.3	32.8	35.2	27.2	28.1	30.4	32.6											
Cap MFD/V	50 / 370	Low Fire Orifice	46			S/T	0.87	0.78	0.59	0.38	-	0.89	0.80	0.60	0.39	-	0.92	0.82	0.62	0.40	-	0.95	0.85	0.65	0.42	-											
CC Heater		Pilot Orifice	0.018			AMPS	13.3	13.5	13.9	14.3	-	14.2	14.5	14.8	15.3	-	15.0	15.3	15.7	16.2	-	15.7	16.1	16.5	17.0	-											
Start Kit	NAMA001SC	Temp Rise	35-65			HI PR	169	182	192	200	-	192	207	218	228	-	219	235	248	259	-	246	265	280	292	-											
Cond & Evap	Cond	Evap	Ignition Type	HSP	LO PR	63	67	73	78	-	66	70	76	81	-	69	73	80	85	-	72	77	84	90	-												
Type	Fan	Blower	Fan On/Off	TIME	80	IDB	MBh	33.1	33.8	36.1	38.6	32.3	33.0	35.3	37.7	31.5	32.2	34.4	36.8	29.9	30.6	32.7	34.9	27.7	28.3	30.3	32.4										
Size	20	DD11-9A	Limit Set Max	135			S/T	0.95	0.89	0.73	0.54	-	0.98	0.92	0.75	0.56	-	1.00	0.95	0.77	0.58	-	1.00	0.98	0.80	0.60	-										
Motor-HP	1/3	1/2	Heat Antic	0.58			AMPS	13.4	13.6	14.0	14.4	-	14.3	14.6	15.0	15.4	-	15.1	15.4	15.8	16.3	-	15.9	16.2	16.6	17.2	-										
Type	PSC	PSC					HI PR	171	184	194	202	-	194	209	220	230	-	221	238	251	262	-	248	267	282	295	-										
FLA	1.4	3.6			LO PR	64	68	74	79	-	66	71	77	82	-	70	74	81	86	-	73	78	85	90	-												
LRA	3.7	7.5			85	IDB	MBh	33.7	34.3	35.9	38.3	32.9	33.5	35.1	37.4	32.1	32.7	34.2	36.5	30.5	31.0	32.5	34.7	28.2	28.8	30.1	32.1										
RPM	1075	1125					S/T	1.00	0.96	0.87	0.71	-	1.00	0.99	0.89	0.72	-	1.00	1.00	0.92	0.75	-	1.00	1.00	0.96	0.78	-										
Cap MFD/V	5/370	15/370					AMPS	13.5	13.7	14.1	14.5	-	14.4	14.7	15.1	15.5	-	15.2	15.5	15.9	16.4	-	16.0	16.3	16.8	17.3	-										
PTCR							HI PR	172	185	196	204	-	196	211	223	232	-	223	240	254	264	-	251	270	285	297	-										
Hi Press					LO PR	65	69	75	80	-	67	71	78	83	-	70	75	82	87	-	74	79	86	91	-												
Low Press					Air Delivery in CFM - Dry Coil - No Filter (Add .05 static for Wet Coil)																																
Operating Chg (No Lines)*	(R-22 Oz)	102			230 Volt				Ext. Static Press (Inch Water Column)				208 Volt				Ext. Static Press (Inch Water Column)																				
Service Driers					Speed Tap	0.1	0.2	0.3	0.4	0.5	0.6	0.7	Speed Tap	0.1	0.2	0.3	0.4	0.5	0.6	0.7																	
Liquid/Chg	16 Cu In / 11 oz				HI	-	1435	1375	1310	1245	1175	1105	HI	-	1345	1295	1240	1180	1115	1050																	
Suction	30 Sq In				MD HI	-	1270	1220	1165	1100	1045	990	MD HI	-	1095	1065	1030	990	945	895																	
Unit Weight	435				MD LO	-	-	-	-	-	-	-	MD LO	-	-	-	-	-	-	-																	
					LO	-	1110	1080	1045	1005	955	905	LO	-	925	905	880	850	815	780					1113276												

