

Addendum

Page 30 of X40023 Rev. B manual

Manufactured:

ICP Corporation (Canada)

3400 Blvd Industriel Sherbrooke PQ Canada

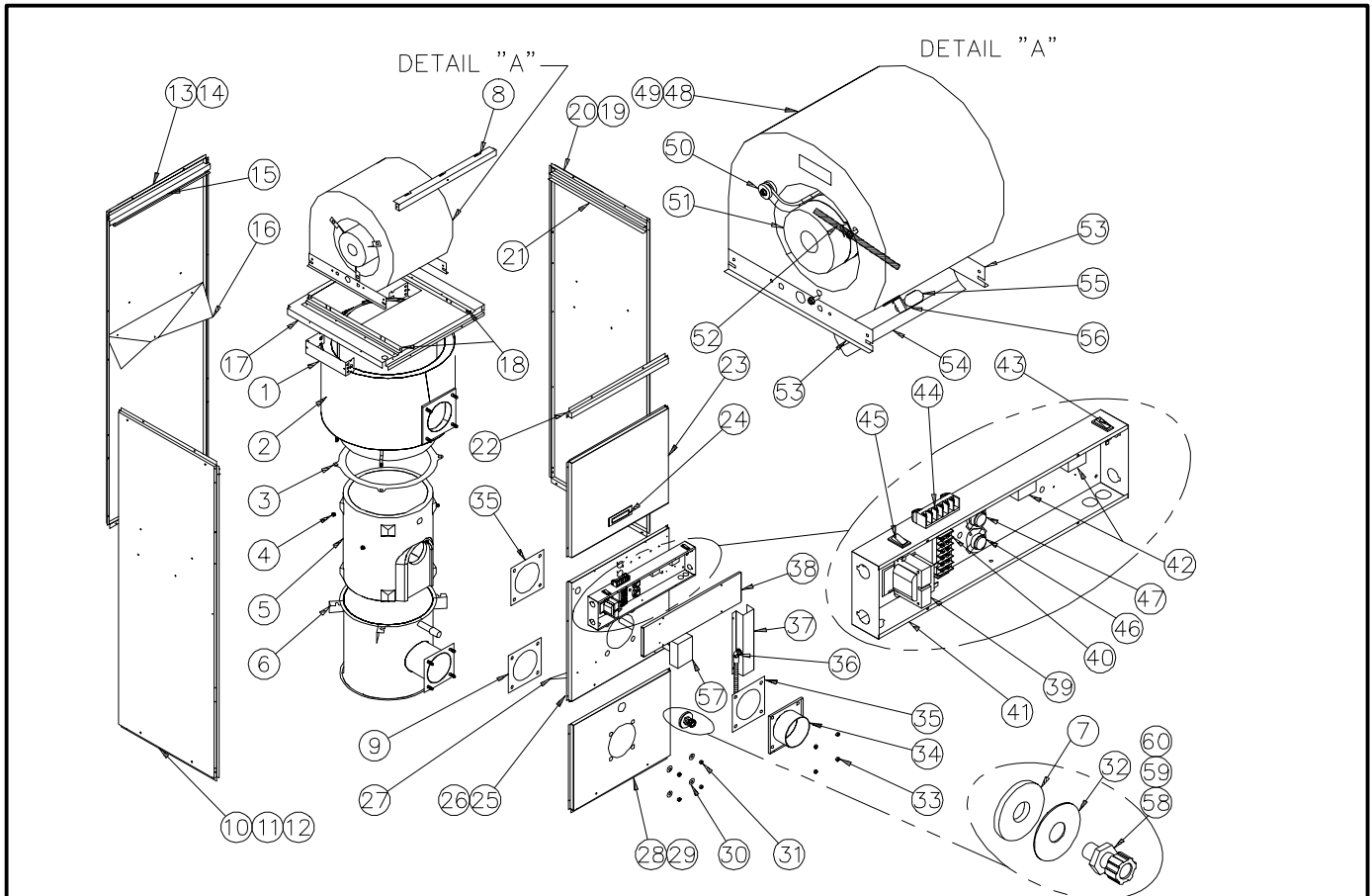
Model OCF105A12A change to OCF105A12B

Refer to this addendum if your appliance is the new model. Refer to the rating plate to know the model number.



OIL WARM AIR FURNACE

PART LIST
Model : OCF105A12B



DNS-0577 Rev. C

ITEM	DESCRIPTION	MANUFAC.
1	Complet heat exchanger	B30776-01
2	Top heat exchanger	B30542-01
3	Gasket, heat exchanger	B30517
4	Hexagonal flange nut 3/8-16NC brass	F07O001
5	Combustion chamber	B30414
6	Bottom heat exchanger	B30757
7	Gasket panel, peep hole	B30753
8	Front filter drawer	B30582
9	Gasket, burner	B30534
10	Left side panel ass'y	B30550-02
11	Left side panel insulation	B30571
12	Left filter support	B30566
13	Rear panel ass'y	B30549
14	Rear panel insulation	B30572
15	Rear filter support	B30555
16	Rear Baffle	B30564
17	Division panel	B30567
18	Blower slide support	B30513
19	Right side panel ass'y	B30550-01
20	Right side panel insulation	B30571
21	Right filter support	B30566
22	Upper front reinforcer	B30556
23	Blower door ass'y	B30709-02
24	Door handle	Z99F050
25	Center front panel ass'y	B30703
26	Center front panel insulation	B30570
27A	Front right baffle	B30569-01
27B	Front left baffle	B30569-02
28	Bottom front panel ass'y	B30774
29	Bottom front panel insulation	B30773
30	Washer 3/8" AA zinc	F06F005
31	Hexagonal nut 3/8-16NC brass	F07F024

ITEM	DESCRIPTION	MANUFAC.
32	Washer panel, peep hole	B30752
33	Hexagonal flange nut 3/8-16NC brass	F07O001
34A	5" breech plate	B30459
34B	3" breech plate	B30515
35	Gasket, breech plate	B30415-02
36	Burner electrical kit	B30575
37	Corner conduit	B30557
38	Electrical box cover (without cosmetic)	B40704-04
39	Transformer 120/24 VAC / 40 VA	L01F009
40	Terminal strip, 6 positions	A00336
41	Electrical box	B30708
42	Relay SPDT 24VAC	L01H009
43	Rocker switch SPST (constant blower operation)	L07F003
44	Terminal strip, 6 positions	L05F011
45	Rocker switch SPST (main power)	L07F016
46	Thermoswitch 110-10F	R02N011
47	Thermoswitch 160-40F	R02N012
48	Blower wheel 10 X 10	Z01L002
49	Blower 10 X 10 (housing and wheel)	Z011004
50A	Blower ass'y	B01405-01
50B	Motor mount ass'y	B01888
51	1/3 HP direct drive motor (complete with legs)	B01890-01
52	Blower electrical kit	B30096
53	Blower side rails	B30433
54	Sealing strip	B01291-01
55	5 MF capacitor	L011001
56	Capacitor holder	B01024
57	Fan limit control	R021002
58	Peep hole kit	K30011
59	Gasket, glass	B30055
60	Glass, neoceram	B30041-01