

# INSTALLATION INSTRUCTIONS

## SIDE RETURN FILTER KIT

### NAHA00901FF

#### INTRODUCTION

These instructions cover the installation of side filter rack on 80%, 33.3 inch (846mm), multipoise, non-condensing gas furnace.

**NOTE:** Read the entire instruction manual before starting the installation.


#### SAFETY CONSIDERATIONS

Installing and servicing heating equipment can be hazardous due to gas and electrical components. Only trained and qualified personnel should install, repair, or service heating equipment.

Untrained personnel can perform basic maintenance functions, such as cleaning and replacing air filters. Trained service personnel must perform all other operations. When working on heating equipment, observe precautions in the literature, on tags, and on labels attached to or shipped with the unit, and other safety precautions that may apply.

Follow all safety codes. In the United States, follow all safety codes including the National Fuel Gas Code (NFPA) NFPA 54-2009/ANSI Z223.1-2009.

Wear safety glasses and work gloves. Have a fire extinguisher available during start-up, adjustment steps, and service calls.

Recognize safety information. This is the safety-alert symbol . When you see this symbol on the furnace and in instructions or manuals, be alert to the potential for personal injury.

Understand the signal words DANGER, WARNING, and CAUTION. These words are used with the safety-alert symbol. DANGER identifies the most serious hazards which **will** result in severe personal injury or death. WARNING signifies a hazard which **could** result in personal injury or death. CAUTION is used to identify unsafe practices which **may** result in minor personal injury or product and property damage. NOTE is used to highlight suggestions which **will** result in enhanced installation, reliability, or operation.

#### WARNING

##### **FIRE, EXPLOSION, ELECTRICAL SHOCK, AND CARBON MONOXIDE POISONING HAZARD**

Failure to follow this warning could result in personal injury, death or property damage.

Turn off gas and electrical supplies to unit and install a lock out before beginning installation or modification. Follow operating instructions on label attached to furnace.

#### DESCRIPTION AND USAGE

This filter rack is designed for use with multipoise gas furnaces to provide side inlet of return air. The filter rack accepts one 16 x 25 inch size filter which can be easily removed as shown in Figure 1.

#### INSTALLATION

1. Refer to Figure 1 and furnace Installation Instructions for size and location of side inlet opening.
2. Remove filter from filter rack
3. Using knockouts as your guide, cut out side of furnace.
4. Make rack flush with back of furnace cabinet.
5. Use minimum of four (4) screws and secure rack using pre-drilled holes in rack.
6. Slide filter back into rack.
7. Reattach door.
8. Re-attach return air duct or complete the furnace installation per the furnace instructions.

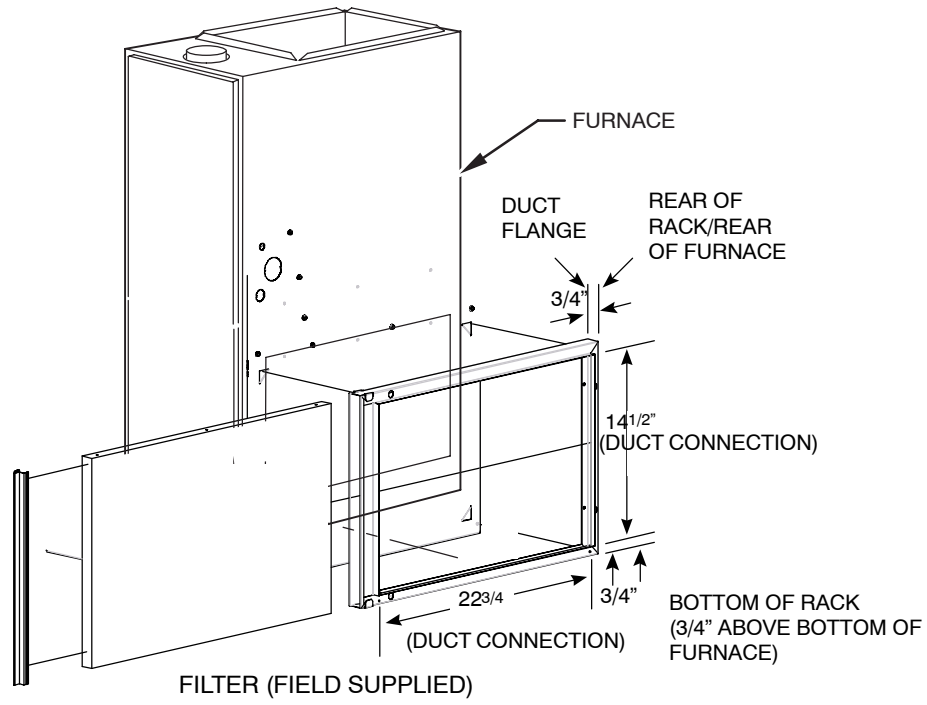
#### CAUTION

##### **CUT HAZARD**

Failure to follow this caution may result in personal injury. Sheet metal parts may have sharp edges or burrs. Use care and wear appropriate clothing, safety glasses and gloves when handling parts and servicing furnaces.

Figure 1

Installing Filter Rack



Representative drawing only, some models may vary in appearance.