

## Performance 80 Single Stage Flexibility

- 35" high for more flexibility in tight locations.
- Factory shipped for natural gas, with LP gas conversion kits available.
- Four position - upflow/downflow/horizontal installation.
- Category I venting.
- Three position inducer capability.
- Common venting with water heater.

### Service

- Self diagnostics.
- Entire blower assembly mounted on rails.

### Quality

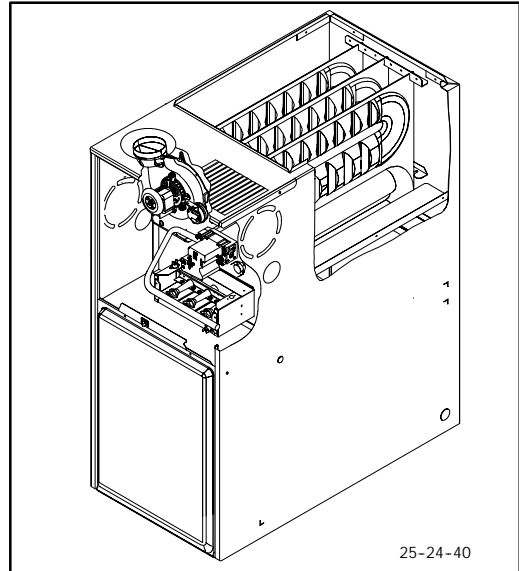
- RPJ3 Aluminized steel heat exchanger.
- 20 year limited warranty on heat exchangers and 5 years on parts.
- High temperature limit control prevents overheating.
- Hot surface pilot ignition device.
- Flame roll-out sensors standard.
- Louvered doors.
- One piece prepainted steel cabinet.
- Masonry chimney adapter available.

### Comfort

- Adjustable timed blower Off delay.
- Humidifier terminal
- Electronic air cleaner terminal.

### Efficiency

- 80% AFUE efficiency range.
- Single stage gas valve operation.
- Single stage fan timer.
- Multispeed, prelubricated PSC motors.
- Induced draft blower.
- In-shot burners.



Representative drawing only, some models may vary in appearance.

### WARNING

This furnace is not designed for use inside mobile homes, trailers, or recreational vehicles. Such use could result in property damage, bodily injury, and/or death.

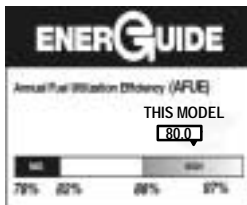
### UPFLOW/DOWNFLOW/HORIZONTAL (NATURAL GAS)

Model Number	Heat Exchangers *	Dimensions H x W x D (In.)	Price
N8MPN050B12A	20 year	35 x 15 <sup>1</sup> / <sub>2</sub> x 29	
N8MPN075B12A	20 year	35 x 15 <sup>1</sup> / <sub>2</sub> x 29	
N8MPN075F16A	20 year	35 x 19 <sup>1</sup> / <sub>8</sub> x 29	
N8MPN100F14A	20 year	35 x 19 <sup>1</sup> / <sub>8</sub> x 29	
N8MPN100F20A	20 year	35 x 19 <sup>1</sup> / <sub>8</sub> x 29	
N8MPN100J22A	20 year	35 x 22 <sup>3</sup> / <sub>4</sub> x 29	
N8MPN125J20A	20 year	35 x 22 <sup>3</sup> / <sub>4</sub> x 29	
N8MPN125J22A	20 year	35 x 22 <sup>3</sup> / <sub>4</sub> x 29	

\* 20 YEAR LIMITED WARRANTY

### PERFORMANCE DATA HEATING

Model Number	Input (MBTUH)	Efficiency AFUE	Cooling Cap. @ .5" W.C.
N8MPN050B12A	50,000	80%	1.5 - 3.0 TON
N8MPN075B12A	75,000	80%	1.5 - 3.0 TON
N8MPN075F16A	75,000	80%	2.0 - 4.0 TON
N8MPN100F14A	100,000	80%	2.0 - 3.5 TON
N8MPN100F20A	100,000	80%	3.5 - 5.0 TON
N8MPN100J22A	100,000	80%	3.5 - 5.5 TON
N8MPN125J20A	125,000	80%	3.5 - 5.0 TON
N8MPN125J22A	125,000	80%	3.5 - 5.5 TON



## FURNACE SPECIFICATIONS MULTI-POSITION

Model Number NATURAL GAS	N8MPN							
	050B12	075B12	075F16	100F14	100F20	100J22	125J20	125J22
INPUT (btuh)	50,000	75,000	75,000	100,000	100,000	100,000	125,000	125,000
HTG. CAP. (btuh)	40,000	60,000	60,000	80,000	80,000	80,000	100,000	100,000
AFUE % (ICS)	80%	80%	80%	80%	80%	80%	80%	80%
TEMP. RISE (deg. F)	35-65	35-65	25-55	30-60	35-65	30-60	30-60	30-60
VOLTS/PH/Hz	115/1/60	115/1/60	115/1/60	115/1/60	115/1/60	115/1/60	115/1/60	115/1/60
RATING PLATE AMPS.	8.8	9.5	10.1	9.6	13.6	12.3	13.6	11.5
TRANSFORMER (V.A.)	40	40	40	40	40	40	40	40
GAS PIPE SIZE (IN.)	1/2	1/2	1/2	1/2	1/2	1/2	1/2	1/2
CATEGORY I VENT SIZE	3"	4"	4"	4"	4"	4"	5"	5"
COOLING CAP.	3	3	4	3.5	5	5.5	5	5.5
SHIPPING WEIGHT (LBS.)	118	128	140	144	150	145	166	160
DIMENSIONS (in.) HEIGHT	35	35	35	35	35	35	35	35
WIDTH X DEPTH	15 1/2 x 29	15 1/2 x 29	19 1/8 x 29	19 1/8 x 29	19 1/8 x 29	22 3/4 x 29	22 3/4 x 29	22 3/4 x 29

(ICS) = Isolated Combustion System

## ACCESSORIES

Model Number	Description	Used With Models
<b>TWINNING KIT</b>		
NAHA003WK	Twining kit. Allows operation of two identical-size model furnaces.	ALL N8MPN FURNACES
<b>GAS CONVERSION KITS</b>		
NAHL002LP 1160991 *	Natural gas to LP (propane) conversion Kit. Allows field conversion to LP (propane) gas.	ALL N8MPN FURNACES
NAHF002NG 1009510 *	LP (Propane) to natural gas conversion kit. Allows field conversion to natural gas. (Single Stage)	ALL N8MPN FURNACES
<b>FILTER KITS</b>		
NAHA001FF	External filter frame. 16" x 25"	Side Return (All Furnaces) Bottom Return (All "F" 19 1/8" Furnaces under 1650 CFM)
NAHA002FF	Bottom return filter frame kit 20" x 25".	(All "J" 22 3/4" Furnaces)
NAHA003FF	Bottom or side return filter frame kit 14" x 25".	(All "B" 15 1/2" Furnaces)
NAHA001TK	Duct Standoff Filter Kit. To adapt 20" x 25" filter for single side return.	Side Return (All single return applications with 1650 CFM or greater) Bottom Return (All "F" 19 1/8" Furnaces under 1650 CFM)
<b>COMBUSTIBLE FLOOR SUBBASES</b>		
NAHH001SB	Subbase Furnace ONLY: All 15 1/2" wide furnace models	N8MPN050-075B
NAHH002SB	Subbase Furnace ONLY: All 19 1/4" wide furnace models	N8MPN075-100F
NAHH003SB	Subbase Furnace ONLY: All 22 3/4" wide furnace models	N8MPN100-125J
NAHH004SB	Subbase Furnace w/15 1/2" cased coil	Counterflow furnace N8MPN050-075B
NAHH005SB	Subbase Furnace w/19 1/4" cased coil	Counterflow furnace N8MPN075-100F
NAHH006SB	Subbase Furnace w/22 3/4" cased coil	Counterflow furnace N8MPN100-125J
<b>MASONRY CHIMNEY ADAPTER</b>		
NAHA001DH	Chimney adapter (6")	N8MPN050, 075, 100
NAHA002DH	Chimney adapter (7")	N8MPN125
<b>VENT GUARD</b>		
NAHA002VC	Downflow vent guard	All downflow applications
<b>COIL ADAPTER</b>		
NAHA001CA	Coil Adapter for Downflow Furnaces	All Multi- Position Furnaces in the Downflow Application

\* Fast part number

\*\* Applications of N8MPN125 above 1650 CFM requires two side returns or NAHA001TK 20 x 25 duct stand-off filter kit or bottom return applications with the N8MPN125 use the 20 x 25 bottom return filter kit, NAHA002FF.

To achieve 2000 CFM with the stand-off filter kit you will still need a bottom return or 2 side filters.

## BLOWER PERFORMANCE MULTI-POSITION

Model Number	N8MPN							
	050B12	075B12	075F16*	100F14	100F20*	100J22	125J20*	125J22*
BLOWER TYPE AND SIZE	11x8	11x8	11 x 10	11 x 14	11 x 10	11 x 10	11x10	11x10
MOTOR H.P. (TYPE)	1/2/PSC	1/2/PSC	1/2/PSC	1/2/PSC	1/2/PSC	3/4/PSC	1/2/PSC	3/4/PSC
MOTOR SPEEDS	4	4	4	4	4	4	4	4

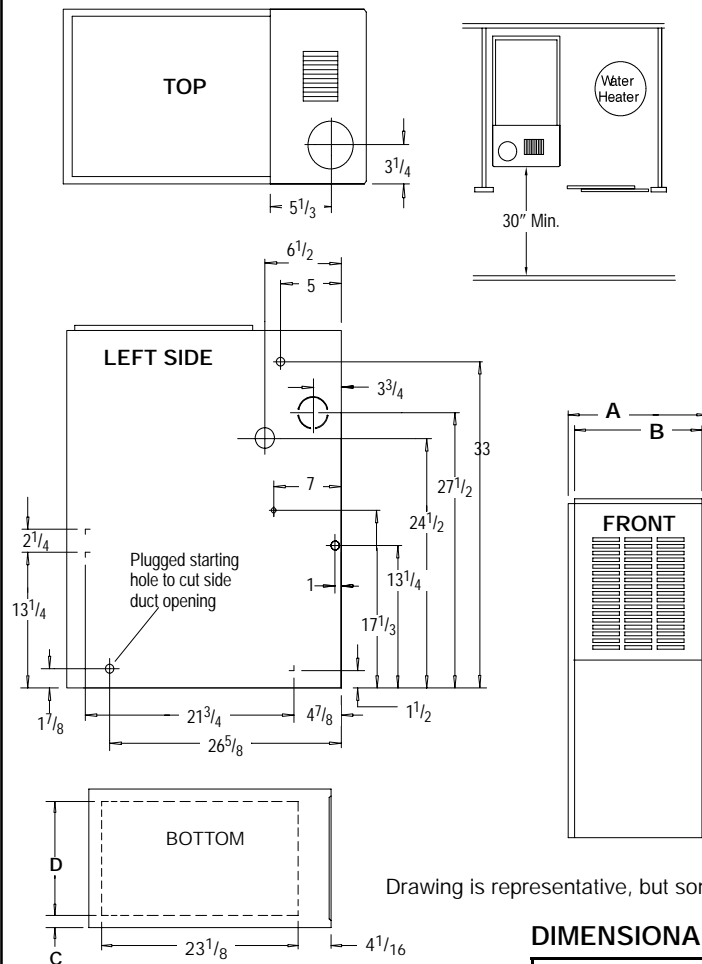
### AIRFLOW DATA

ESP IN. W.C.	LOW	472	695	598	770	831	1785	860	1901
	.10	MEDIUM LOW	704	963	841	949	1125	1997	1149
MEDIUM HIGH		1167	1220	1427	1328	1582	2292	1666	2362
HIGH		1387	1559	1861	1760	2216	2519	2147	2464
.20		LOW	419	670	499	709	823	1763	848
	MEDIUM LOW	671	946	795	911	1124	1969	1154	2077
	MEDIUM HIGH	1135	1202	1406	1282	1585	2249	1622	2303
	HIGH	1338	1511	1816	1718	2198	2464	2137	2424
.30	LOW	365	644	400	648	814	1741	836	1833
	MEDIUM LOW	638	928	748	873	1123	1941	1158	2033
	MEDIUM HIGH	1102	1183	1384	1235	1588	2206	1577	2244
	HIGH	1288	1463	1770	1675	2179	2410	2126	2385
.40	LOW	328	616	345	596	798	1708	821	1789
	MEDIUM LOW	605	901	708	823	1120	1901	1149	1985
	MEDIUM HIGH	1069	1151	1364	1175	1583	2152	1569	2172
	HIGH	1241	1412	1770	1613	2127	2347	2137	2301
.50	LOW	290	588	289	544	781	1674	805	1745
	MEDIUM LOW	572	873	667	772	1117	1861	1140	1936
	MEDIUM HIGH	1035	1118	1343	1115	1577	2097	1561	2100
	HIGH	1194	1361	1677	1551	2074	2284	2148	2217
.60	LOW	250	564	---	501	749	1627	782	1685
	MEDIUM LOW	547	822	625	728	1085	1805	1111	1855
	MEDIUM HIGH	987	1068	1299	1076	1559	2031	1539	1997
	HIGH	1132	1300	1612	1478	1992	2202	2035	2125
.70	LOW	---	---	---	457	717	1581	758	1624
	MEDIUM LOW	209	540	582	684	1053	1749	1081	1773
	MEDIUM HIGH	939	1017	1254	1036	1541	1965	1516	1894
	HIGH	1070	1239	1547	1404	1909	2121	1922	2033
.80	LOW	---	---	---	---	663	1504	710	1533
	MEDIUM LOW	483	723	530	628	1009	1673	1045	1671
	MEDIUM HIGH	880	959	1192	966	1457	1879	1472	1804
	HIGH	1004	1161	1454	1310	1827	2024	1845	1927
.90	LOW	---	463	---	361	609	1428	661	1442
	MEDIUM LOW	443	675	477	572	964	1597	1009	1569
	MEDIUM HIGH	820	900	1129	895	1373	1793	1428	1714
	HIGH	937	1083	1360	1215	1745	1928	1767	1821
1.00	LOW	---	413	---	308	561	1326	614	1329
	MEDIUM LOW	370	615	436	507	888	1478	925	1455
	MEDIUM HIGH	753	835	1016	811	1307	1667	1357	1583
	HIGH	858	998	1262	1093	1641	1814	1663	1685

NOTE: Applications of N8MPN125 above 1650 CFM requires two side returns or use accessory stand-off filter kit for single return.

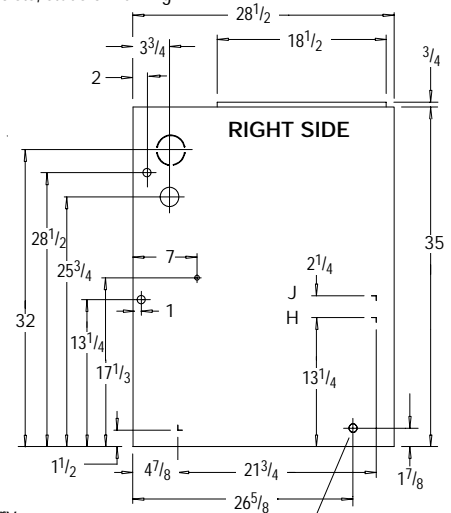
- \* 075F16 - Reduce airflow by 5% if bottom return ONLY.
- 100F20 - Reduce airflow by 10% if bottom return ONLY.
- 125J20 - Reduce airflow by 5% if bottom return ONLY.
- 125J22 - Reduce airflow by 10% if bottom return ONLY.

# UNIT DIMENSIONS



REAR	0
FRONT	3"
Recommended For Service	30"
ALL SIDES OF SUPPLY PLENUM	1"
SIDES	0
VENT	
Single Wall Vent	6"
Type B-1 Double Wall Vent	1"
TOP OF FURNACE	1"

Horizontal position: Line contact is permissible only between lines formed by intersections of top and two sides of furnace jacket, and building joists, studs or framing.



Drawing is representative, but some models may vary

## DIMENSIONAL INFORMATION

Unit Capacity	Cabinet		Bottom		Duct Size
	A	B	C	D	
N8MPN050B12 N8MPN075B12	15 1/2	14	1 3/8	12 5/8	H
N8MPN075F16 N8MPN100F14 N8MPN100F20	19 1/8	17 5/8	2 1/8	14 3/4	J
N8MPN100J22 N8MPN125J20 N8MPN125J22	22 3/4	21 1/4	1 15/16	18 3/4	J

Plugged starting hole to cut side duct opening

**NOTE:** Evaporator "A" coil drain pan dimensions may vary from furnace duct opening size. Always consult evaporator specifications for duct size requirements.

Unit is designed for bottom return or side return. Return air through back of unit is NOT allowed.

ALL DIMENSIONS IN INCHES (millimeters)

## MODEL NUMBER IDENTIFICATION GUIDE

<b>N</b>	<b>8</b>	<b>MP</b>	<b>N</b>	<b>075</b>	<b>B</b>	<b>12</b>	<b>A</b>	<b>#</b>
<b>Brand</b> N = Generic								<b>Engineering Rev.</b> Denotes minor changes
<b>Brand Efficiency</b> 8 = Non-Condensing, 80+% Gas Furnace 9 = Condensing, 90+% Gas Furnace								<b>Marketing Digit</b> Denotes minor change
<b>Installation Configuration</b> UP = Upflow      DN = Downflow UH = Upflow/Horizontal      HZ = Horizontal DH = Downflow/Horizontal MP = Multiposition, Upflow/Downflow/Horizontal								<b>Cooling Airflow</b> 08 = 800 CFM      16 = 1600 CFM 12 = 1200 CFM      20 = 2000 CFM 14 = 1400 CFM
<b>Major Design Feature</b> 1 = One (Single) Pipe      N = Single Stage 2 = Two Pipe      P = PVC Vent D = 1 or 2 Pipe      T = Two Stage L = Low NOx      V = Variable Speed								<b>Cabinet Width</b> B = 15.5" Wide      J = 22.8" Wide F = 19.1" Wide      L = 24.5" Wide
								<b>Input (Nominal MBTUH)</b>

\* Denotes Brand

SPECIFICATIONS SUBJECT TO CHANGE WITHOUT NOTICE