

80% Single Stage Heating Furnace

EASIER TO SELL

- 80% AFUE
- Flame roll-out sensors standard
- Category I venting
- Blocked vent switch
- Louvered door
- 24 VAC and 115 VAC humidifier terminal
- Electronic air cleaner terminal
- Twinning furnaces of same heating and cooling sizes with approved kit
- N8MSL California NOx approved
- Certified to leak 2 percent or less of nominal air conditioning CFM delivered when pressurized to 1-inch Water Gauge with all present air inlets, air outlets, and condensate drain port(s) sealed

TOUGHER

- PSC blower motor
- Adjustable heating blower OFF delay
- Factory set blower ON delay
- RPJ aluminized steel heat exchanger
- High temperature limit control prevents overheating
- Direct ignition with Silicon Nitride ignitor
- One piece prepainted steel cabinet

QUIETER

- In-shot burners

EASIER TO INSTALL AND SERVICE

- 33 1/3" (847mm) high, for ease of installation
- Innovative knobs for easy door removal and secure attachment
- Factory shipped for natural gas, with propane gas conversion kits available
- Four position – upflow/downflow/horizontal (left/right) installation
- Three position inducer elbow capability
- Through the casing flue pipe for counterflow applications
- Common venting with other Category I appliances
- Masonry chimney adapter available
- Self diagnostics
- Slide out blower assembly

WARRANTY *

- 20 year heat exchanger limited warranty
- 5 year parts limited warranty
- With timely registration, an additional 5 year parts limited warranty
- * Applies to original purchaser/homeowner, some limitations may apply. See warranty certificate for complete details.



Illustrations and photographs are only representative. Some product models may vary.

WARNING

This furnace is not designed for use in mobile homes, trailers, or recreational vehicles. Such use could result in property damage and/or death.



Use of the AHRI Certified TM Mark indicates a manufacturer's participation in the program. For verification of certification for individual products, go to www.ahridirectory.org.



ISO 9001
QMI-SAI Global

Model	Size	Input (MBTUH)	Efficiency AFUE	Cooling Capacity CFM range @ .5 in. w.c. (125 Pa)	Dimensions H x W x D Inches (Millimeters)	Shipping Wt. Lbs(Kg)
N8MSN N8MSL	0451408A	44,000	80%	580-835	33-1/3 x 14-3/16 x 29 (847 x 360 x 737)	107 (49)
	0451412A	44,000	80%	1040-1160	33-1/3 x 14-3/16 x 29 (847 x 360 x 737)	107 (49)
	0701408A	66,000	80%	595-870	33-1/3 x 14-3/16 x 29 (847 x 360 x 737)	111 (50)
	0701412A	66,000	80%	1050-1200	33-1/3 x 14-3/16 x 29 (847 x 360 x 737)	115 (52)
	0701716A	66,000	80%	1280-1530	33-1/3 x 17-1/2 x 29 (847 x 445 x 737)	126 (57)
	0901714B	88,000	80%	1065-1385	33-1/3 x 17-1/2 x 29 (847 x 445 x 737)	127 (58)
	0902116A	88,000	80%	1375-1720	33-1/3 x 21 x 29 (847 x 533 x 737)	140 (64)
	0902120A	88,000	80%	1730-2025	33-1/3 x 21 x 29 (847 x 533 x 737)	146 (66)
	1101712A	110,000	80%	1155-1355	33-1/3 x 17-1/2 x 29 (847 x 445 x 737)	135 (61)
	1102116A	110,000	80%	1310-1680	33-1/3 x 21 x 29 (847 x 533 x 737)	146 (66)
	1102122A	110,000	80%	1720-2265	33-1/3 x 21 x 29 (847 x 533 x 737)	152 (69)
	1352116A	132,000	80%	1380-1710	33-1/3 x 21 x 29 (847 x 533 x 737)	149 (68)
	1352422A	132,000	80%	1715-2195	33-1/3 x 24-1/2 x 29 (847 x 622 x 737)	163 (74)
	1552420A	154,000	80%	1695-2230	33-1/3 x 24-1/2 x 29 (847 x 622 x 737)	170 (77)

MODEL NUMBER IDENTIFICATION GUIDE											
DIGIT POSITION	1	2	3	4	5	6,7,8	9,10	11,12	13	14	
	N	8	M	S	L	045	14	12	A	1	
N = Entry		8 = 80% AFUE		M = Multiposition		V = Variable Speed Blower Motor – ECM		X = ECM Blower Motor		S = Single-stage	
		EFFICIENCY		POSITION		TYPE					
						L = Low NOx				FEATURE	
						045 = 44,000 BTU/hr					
						070 = 66,000 BTU/hr					
						090 = 88,000 BTU/hr					
						110 = 110,000 BTU/hr					
						135 = 132,000 BTU/hr					
						155 = 154,000 BTU/hr				HEAT INPUT	
						14 = 14-3/16"					
						17 = 17-1/2"					
						21 = 21"					
						24 = 24-1/2"				CABINET WIDTH	
						08 = 800 CFM					
						12 = 1200 CFM					
						14 = 1400 CFM					
						16 = 1600 CFM					
						20 = 2000 CFM					
						22 = 2200 CFM				NOMINAL MAXIMUM COOLING AIRFLOW @ .5 IN. W.C.	
SALES (MAJOR) REVISION DIGIT											
ENGINEERING (MINOR) REVISION DIGIT											

ECM—Electronically Commutated Motor

ACCESSORIES PART NUMBER IDENTIFICATION GUIDE							
DIGIT POSITION	1	2	3	4	5, 6, 7	8, 9	10, 11
	N	A	H	A	001	01	DH
N = Non-Branded		A = Accessory		H = Heating		A = Original	
		BRANDING		PRODUCT GROUP		KIT USAGE	
						B = 2nd Generation	
						MAJOR SERIES	
Product Identifier Number							
Package Quantity							
Type of Kit (Example: DH = Draft Hood – Chimney Adapter)							

PHYSICAL DATA								
NATURAL GAS		0451408A	0451412A	0701408A	0701412A	0701716A	0901714B	0902116A
OUTPUT CAPACITY BTUH* (Nonweatherized ICS) †	N8MSL Upflow; All N8MSN	35,000	36,000	53,000	54,000	53,000	71,000	71,000
	N8MSL Downflow/Horizontal	34,000	34,000	51,000	51,000	51,000	68,000	68,000
INPUT BTUH*	N8MSL Upflow; All N8MSN	44,000	44,000	66,000	66,000	66,000	88,000	88,000
	N8MSL Downflow/Horizontal	42,000	42,000	63,000	63,000	63,000	84,000	84,000
AFUE%*	Nonweatherized ICS	80.0	80.0	80.0	80.0	80.0	80.0	80.0
TRANSFORMER (24 volt)		40 VA						
CERTIFIED TEMP RISE RANGE °F (°C)		30-60 (17-33)	20-50 (11-28)	40-70 (22-39)	30-60 (17-33)	25-55 (14-30)	40-70 (22-39)	30-60 (17-33)
CERTIFIED EXT STATIC PRESSURE	Heating	0.10	0.10	0.12	0.12	0.12	0.15	0.15
	Cooling	0.50	0.50	0.50	0.50	0.50	0.50	0.50
AIRFLOW CFM‡	Heating	865	1250	720	1195	1450	1345	1505
	Cooling	835	1160	870	1200	1530	1385	1720
LIMIT CONTROL		SPST						
HEATING BLOWER CONTROL		Solid-State Time Operation						
BURNERS (Monoport)		2	2	3	3	3	4	4
GAS CONNECTION SIZE		1/2 inch NPT						
GAS VALVE (Redundant) Manufacturer		White-Rodgers						
Minimum Inlet Pressure (in. w.c.)		4.5 (Natural Gas)						
Maximum Inlet Pressure (in. w.c.)		13.6 (Natural Gas)						
IGNITION DEVICE		Hot Surface						
COOLING CAPACITY CFM range (.5 in. w.c.)		580-835	1040-1160	595-870	1050-1200	1280-1530	1065-1385	1375-1720
NATURAL GAS		0902120A	1101712A	1102116A	1102122A	1352116A	1352422A	1552420A
OUTPUT CAPACITY BTUH* (Nonweatherized ICS) †	N8MSL Upflow; All N8MSN	71,000	89,000	89,000	89,000	107,000	107,000	125,000
	N8MSL Downflow/Horizontal	68,000	85,000	85,000	85,000	102,000	102,000	119,000
INPUT BTUH*	N8MSL Upflow; All N8MSN	88,000	110,000	110,000	110,000	132,000	132,000	154,000
	N8MSL Downflow/Horizontal	84,000	105,000	105,000	105,000	126,000	126,000	147,000
AFUE%*	Nonweatherized ICS	80.0	80.0	80.0	80.0	80.0	80.0	80.0
TRANSFORMER (24 volt)		40 VA						
CERTIFIED TEMP RISE RANGE °F (°C)		25-55 (14-30)	50-80 (28-44)	40-70 (22-39)	30-60 (17-33)	50-80 (28-44)	40-70 (22-39)	45-75 (25-41)
CERTIFIED EXT STATIC PRESSURE	Heating	0.15	0.20	0.20	0.20	0.20	0.20	0.20
	Cooling	0.50	0.50	0.50	0.50	0.50	0.50	0.50
AIRFLOW CFM‡	Heating	1990	1295	1515	1900	1525	1850	1790
	Cooling	2025	1355	1680	2220	1710	2110	2230
LIMIT CONTROL		SPST						
HEATING BLOWER CONTROL		Solid-State Time Operation						
BURNERS (Monoport)		4	5	5	5	6	6	7
GAS CONNECTION SIZE		1/2 inch NPT						
GAS VALVE (Redundant) Manufacturer		White-Rodgers						
Minimum Inlet Pressure (in. w.c.)		4.5 (Natural Gas)						
Maximum Inlet Pressure (in. w.c.)		13.6 (Natural Gas)						
IGNITION DEVICE		Hot Surface						
COOLING CAPACITY CFM range (.5 in. w.c.)		1730-2025	1155-1355	1310-1680	1720-2265	1380-1710	1715-2195	1695-2230

* Gas input ratings are certified for elevations to 2000 ft. (610 M). In USA, for elevations above 2000 ft. (610 M), reduce ratings 4 percent for each 1000 ft. (305 M) above sea level. Refer to National Fuel Gas Code NFPA 54/ANSI Z223.1-2009 Table F.4 or furnace Installation Instructions.

† Capacity in accordance with U.S. Government DOE test procedures.

‡ Airflow shown is for bottom only return-air supply in comfort mode (as shipped). For air delivery above 1800 CFM, see Air Delivery Table for other options. A filter is required for each return-air supply.

ICS — Isolated Combustion System

ELECTRICAL DATA

FURNACE SIZE	VOLTS-HERTZ-PHASE	OPERATING VOLTAGE RANGE		MAXIMUM UNIT AMPS	UNIT AMPACITY#	MAXIMUM WIRE LENGTH FT. (M)‡	MAXIMUM FUSE OR CKT BKR AMPS†	MINIMUM WIRE GAUGE
		Maximum*	Minimum*					
0451408A	115-60-1	127	104	5.2	7.26	49 (15)	15	14
0451412A	115-60-1	127	104	7.2	9.79	37 (12)	15	14
0701408A	115-60-1	127	104	5.1	7.14	51 (16)	15	14
0701412A	115-60-1	127	104	7.2	9.72	38 (12)	15	14
0701716A	115-60-1	127	104	9.5	12.60	29 (9)	15	14
0901714B	115-60-1	127	104	8.2	10.83	34 (10)	15	14
0902116A	115-60-1	127	104	10.0	13.13	28 (9)	15	14
0902120A	115-60-1	127	104	13.6	17.61	32 (8)	20	12
1101712A	115-60-1	127	104	8.6	11.27	32 (10)	15	14
1102116A	115-60-1	127	104	10.1	13.12	28 (9)	15	14
1102122A	115-60-1	127	104	14.8	18.99	30 (9)	20	12
1352116A	115-60-1	127	104	10.2	13.27	27 (8)	15	14
1352422A	115-60-1	127	104	14.4	18.55	30 (9)	20	12
1552420A	115-60-1	127	104	15.0	19.33	29 (9)	20	12

* Permissible limits of the voltage range at which the unit operates satisfactorily.

Unit ampacity = 125 percent of largest operating component's full load amps plus 100 percent of all other potential operating components' (EAC, humidifier, etc.) full load amps.

† Time-delay type is recommended.

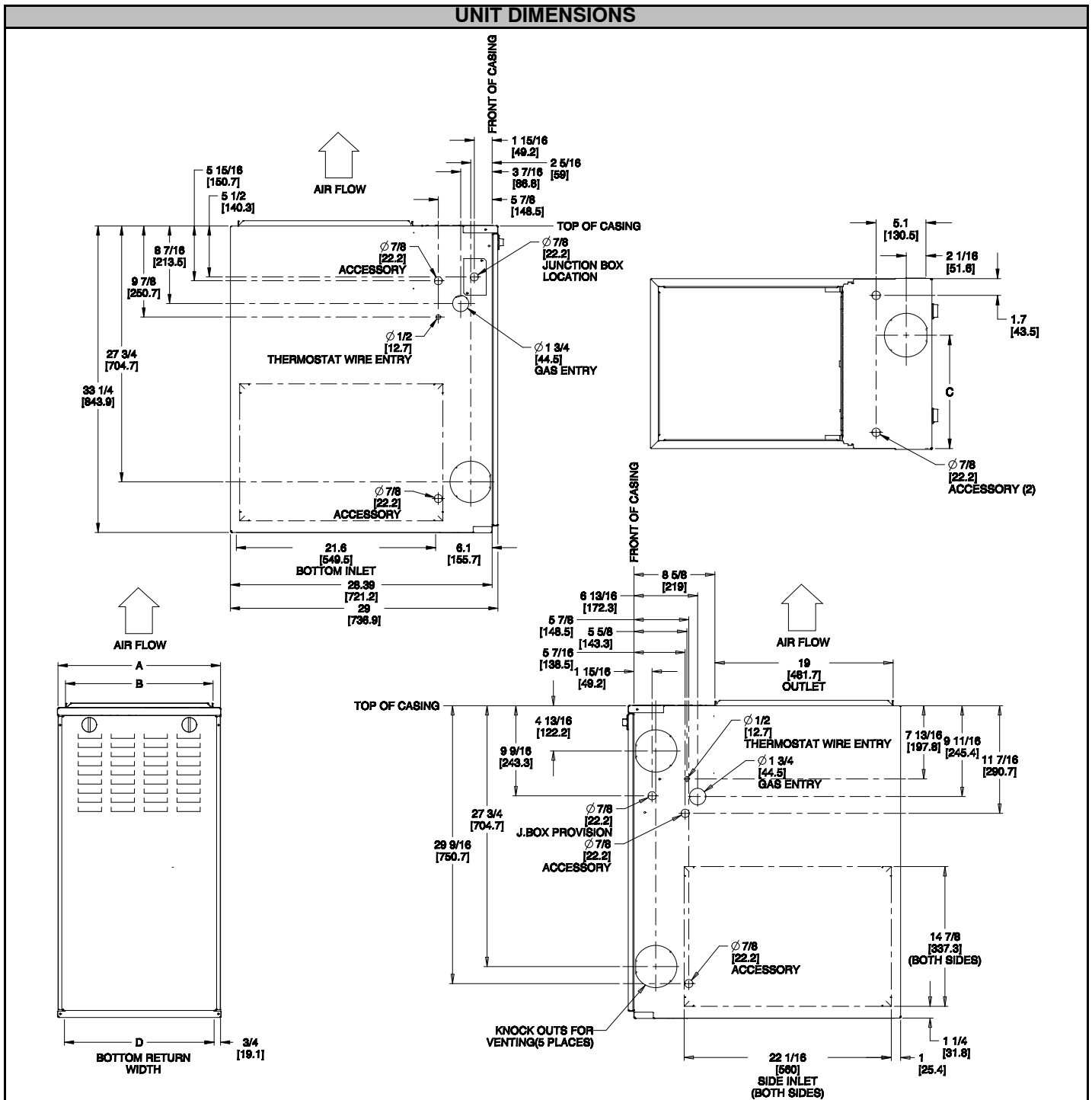
‡ Length shown is as measured 1 way along wire path between unit and service panel for maximum 2 percent voltage drop.

DIMENSIONS

FURNACE SIZE	A	B	C	D	VENT CONNECTION SIZE IN (mm)	SHIP WT LB (KG)
	CABINET WIDTH IN (mm)	OUTLET WIDTH IN (mm)	TOP AND BOTTOM FLUE COLLAR IN (mm)	BOTTOM WIDTH IN (mm)		
0451408	14-3/16 (360)	12-9/16 (319)	9-5/16 (237)	12-11/16 (322)	4 (102)	104 (47)
0451412	14-3/16 (360)	12-9/16 (319)	9-5/16 (237)	12-11/16 (322)	4 (102)	107 (49)
0701408	14-3/16 (360)	12-9/16 (319)	9-5/16 (237)	12-11/16 (322)	4 (102)	111 (50)
0701412	14-3/16 (360)	12-9/16 (319)	9-5/16 (237)	12-11/16 (322)	4 (102)	115 (52)
0701716	17-1/2 (445)	15-7/8 (403)	11-9/16 (294)	16-1/8 (406)	4 (102)	126 (57)
0901714	17-1/2 (445)	15-7/8 (403)	11-9/16 (294)	16-1/8 (406)	4 (102)	127 (58)
0902116	21 (533)	19-3/8 (492)	13-5/16 (338)	19-1/2 (495)	4 (102)	140 (64)
0902120	21 (533)	19-3/8 (492)	13-5/16 (338)	19-1/2 (495)	4 (102)	146 (66)
1101712	17-1/2 (445)	15-7/8 (403)	11-9/16 (294)	16-1/8 (406)	4 (102)	135 (61)
1102116	21 (533)	19-3/8 (492)	13-5/16 (338)	19-1/2 (495)	4 (102)	146 (66)
1102122	21 (533)	19-3/8 (492)	13-5/16 (338)	19-1/2 (495)	4 (102)	152 (69)
1352116	21 (533)	19-3/8 (492)	13-5/16 (338)	19-1/2 (495)	4 (102)*	149 (68)
1352422	24-1/2 (622)	22-7/8 (581)	15-1/16 (383)	23 (584)	4 (102)*	163 (74)
1552420	24-1/2 (622)	22-7/8 (581)	15-1/16 (383)	23 (584)	4 (102)*	170 (77)

* 135 and 155 size furnaces require a 5 or 6-in. (127 or 152 mm) vent. Use a vent adapter between furnace and vent stack. See Installation Instructions for complete installation requirements.

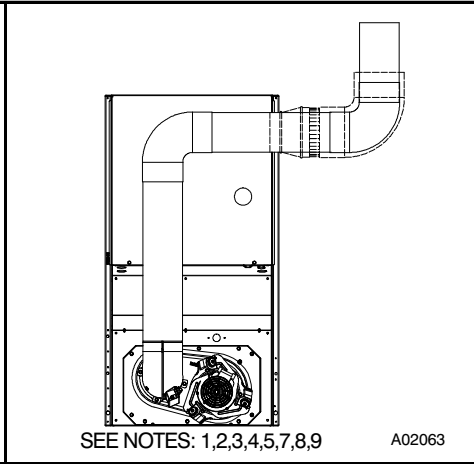
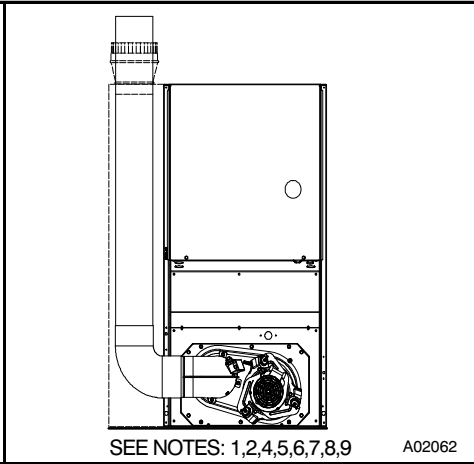
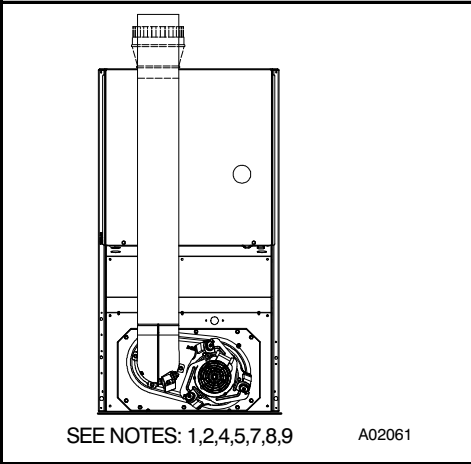
UNIT DIMENSIONS



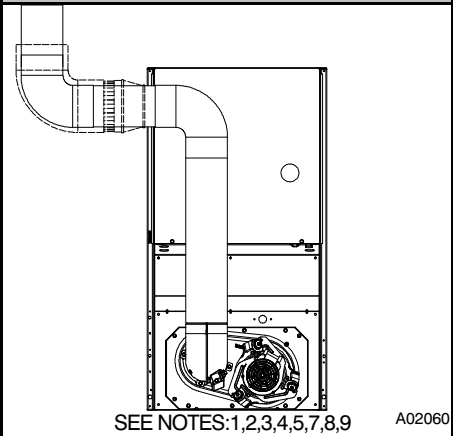
NOTES:

1. Two additional 7/8 in. (22 mm) diameter holes are located in the top plate.
2. Minimum return-air openings at furnace, based on metal duct. If flex duct is used, see flex duct manufacturer's recommendations for equivalent diameters.
 - a. For 800 CFM—16 in. (406 mm) round or 14-1/2 x 12 in. (368 x 305 mm) rectangle.
 - b. For 1200 CFM—20 in. (508 mm) round or 14-1/2 x 19-1/2 in. (368 x 495 mm) rectangle.
 - c. For 1600 CFM—22 in. (559 mm) round or 14-1/2 x 22-1/16 in. (368 x 560mm) rectangle.
 - d. For airflow requirements above 1800 CFM, see Air Delivery table in Product Data literature for specific use of single side inlets. The use of both side inlets, a combination of one side and the bottom, or the bottom only will ensure adequate return air openings for airflow requirements above 1800 CFM.

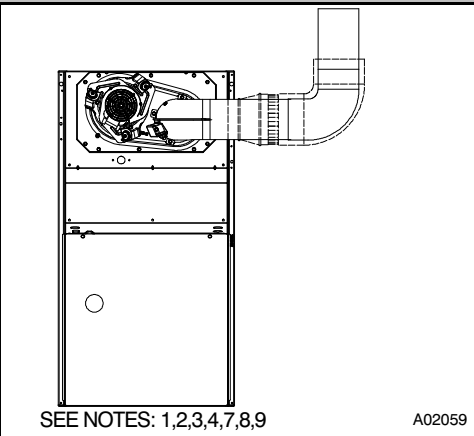
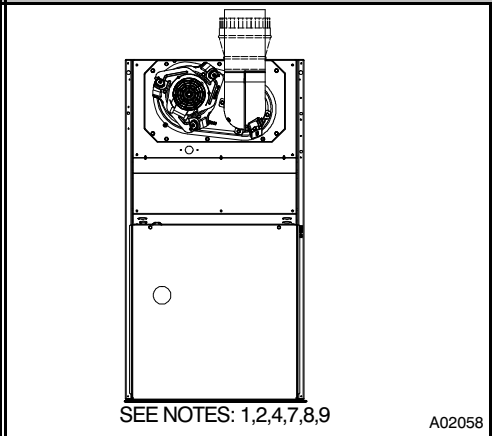
DOWNFLOW VENT CONFIGURATIONS



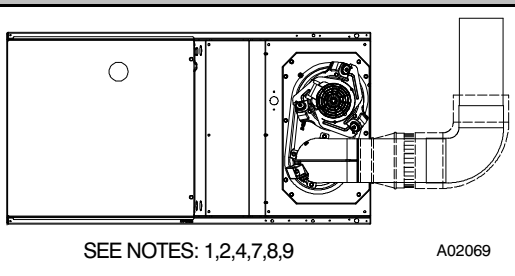
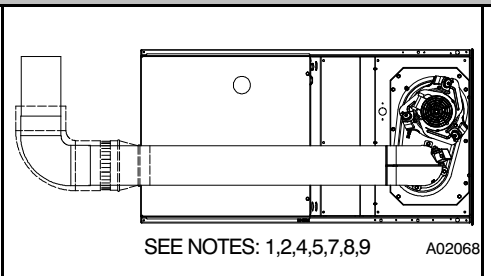
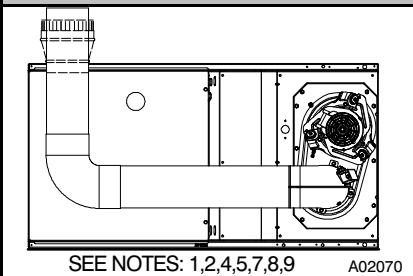
DOWNFLOW CONTINUED



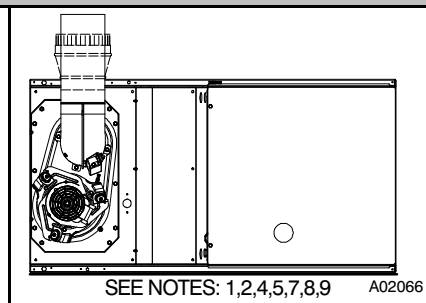
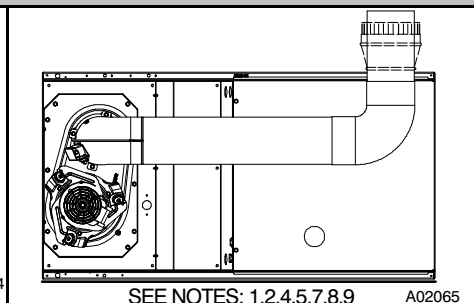
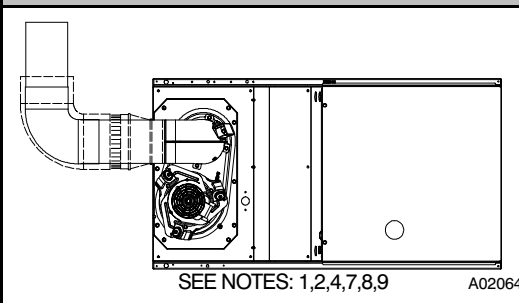
UPFLOW VENT CONFIGURATIONS



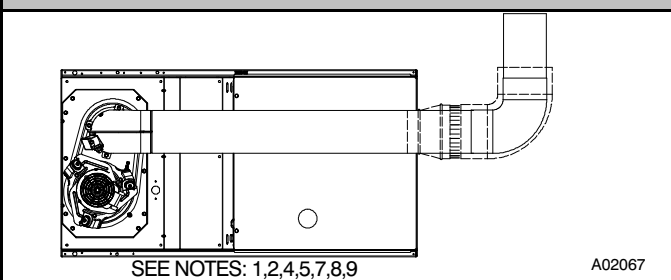
HORIZONTAL RIGHT VENT CONFIGURATIONS



HORIZONTAL LEFT VENT CONFIGURATIONS



HORIZONTAL LEFT VENT CONFIGURATIONS



Venting Notes

1. For common vent, vent connector sizing and vent material, use the NFGC.
2. Immediately increase to 5 inch (127 mm) or 6 inch (152 mm) vent connector outside furnace casing when 5 inch (127 mm) vent connector is required, refer to Note 1 above.
3. Side outlet vent for upflow and downflow installations must use Type B vent immediately after exiting the furnace, except when the Downflow Vent Guard Kit, is used in the downflow position
4. Type-B vent where required, refer to the Note 1 above.
5. A 4 inch (102 mm) single-wall (26 ga. minimum) vent must be used inside furnace casing and when the Downflow Vent Guard Kit is used external to the furnace.
6. Accessory Downflow Vent Guard Kit is required in downflow installations with lower vent configuration.
7. Chimney Adapter Kit may be required for exterior masonry chimney applications. Refer to Chimney Adapter Kit for sizing and complete application details.
8. Secure vent connector to furnace elbow with (2) corrosion-resistant sheet metal screws, spaced approximately 180° apart.
9. Secure all other single wall vent connector joints with (3) corrosion resistant screws spaced approximately 120° apart. Secure Type-B vent connectors per vent connector manufacturer's recommendations.

MINIMUM CLEARANCES TO COMBUSTIBLE MATERIALS FOR ALL UNITS

This forced air furnace is equipped for use with natural gas at altitudes 0 – 10,000 ft (0 – 3,050m).

An accessory kit, supplied by the manufacturer, shall be used to convert to propane gas use or may be required for some natural gas applications.

This furnace is for indoor installation in a building constructed on site.

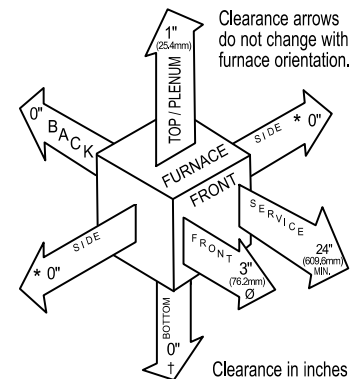
The furnace may be installed on combustible flooring in alcove or closet at minimum clearance as indicated by the diagram from combustible material.

This furnace may be used with a Type B-1 Vent and may be vented in common with other gas fired appliances.

This furnace is approved for UPFLOW, DOWNFLOW, and HORIZONTAL installations.

Downflow Positions:

- † Installation on non-combustible floors only. For Installation on combustible flooring only when installed on special base or coil assembly.
- ∅ 18 inch front clearance required for alcove.
- * Indicate supply or return sides when furnace is in the horizontal position. Line contact only permissible between lines formed by intersections of the Top and two Sides of the furnace jacket, and building joists, studs or framing.



Vent Clearance to combustibles:
 For Single Wall vents 6 inches (6 po).
 For Type B-1 vent type 1 inch (1 po).

BLOWER PERFORMANCE DATA							
N8MSN & N8MSL	0451408A	0451412A	0701408A	0701412A	0701716A	0901714B	0902116A
DIRECT-DRIVE MOTOR Hp (PSC)	1/5	1/3	1/5	1/3	1/2	1/3	1/2
MOTOR FULL LOAD AMPS	2.8	5.2	2.8	5.2	7.9	5.2	7.9
RPM (Nominal)-Speeds	1075-3	1075-3	1075-3	1075-3	1075-3	1075-4	1075-3
BLOWER WHEEL DIAMETER X WIDTHS - in. (mm)	10 x 6 (254 x 152)				11 x 8 (279 x 203)	10 x 8 (254 x 203)	10 x 10 (254 x 254)

N8MSN & N8MSL	0902120A	1101712A	1102116A	1102122A	1352116A	1352422A	1552420A
DIRECT-DRIVE MOTOR Hp (PSC)	3/4	1/3	1/2	3/4	1/2	3/4	3/4
MOTOR FULL LOAD AMPS	11.1	5.2	7.9	11.1	7.9	11.1	11.1
RPM (Nominal)-Speeds	1075-3	1075-3	1075-3	1075-3	1075-3	1075-3	1075-3
BLOWER WHEEL DIAMETER X WIDTHS - in. (mm)	11 x 11 (279 x 279)	10 x 8 (254 x 203)	10 x 10 (254 x 254)	11 x 11 (279 x 279)	10 x 10 (254 x 254)	11 x 11 (279 x 279)	11 x 11 (279 x 279)

PSC-Permanent Split Capacitor

AIR DELIVERY – CFM (with filter)*												
FURNACE SIZE	RETURN-AIR INLET	SPEED	EXTERNAL STATIC PRESSURE (in. w.c.)									
			0.1	0.2	0.3	0.4	0.5	0.6	0.7	0.8	0.9	1.0
0451408A	Bottom or Side(s)	High	1035	995	945	895	835	770	705	645	585	525
		Med-Low	865	830	790	745	690	625	545	440	250	195
		Low	760	720	680	635	580	520	445	345	220	195
0451412A	Bottom or Side(s)	High	1440	1375	1305	1240	1160	1070	975	870	730	560
		Med-Low	1360	1300	1240	1175	1115	1040	950	850	725	575
		Low	1250	1210	1160	1100	1040	965	885	790	670	520
0701408A	Bottom or Side(s)	High	1030	1005	965	925	870	810	740	645	465	280
		Med-Low	835	815	790	755	710	660	590	480	325	205
		Low	725	700	675	635	595	545	460	350	250	--
0701412A	Bottom or Side(s)	High	1425	1375	1320	1265	1200	1125	1035	940	830	655
		Med-Low	1320	1280	1240	1205	1140	1075	995	905	790	620
		Low	1200	1175	1145	1105	1050	990	920	840	725	555
0701716A	Bottom or Side(s)	High	1805	1740	1670	1600	1530	1445	1360	1280	1180	1075
		Med-Low	1630	1585	1530	1470	1405	1330	1255	1170	1080	990
		Low	1460	1420	1385	1325	1280	1220	1155	1080	995	910
0901714B	Bottom or Side(s)	High	1650	1600	1535	1465	1385	1285	1175	1055	895	645
		Med-High	1515	1485	1440	1380	1300	1220	1115	990	830	600
		Med-Low	1385	1360	1320	1260	1195	1120	1025	915	710	565
		Low	1205	1180	1160	1120	1065	1005	925	810	630	510
0902116A	Bottom or Side(s)	High	2060	1985	1915	1820	1720	1610	1490	1340	1135	925
		Med-Low	1790	1765	1715	1645	1560	1470	1345	1195	1010	820
		Low	1505	1505	1480	1440	1375	1300	1190	1045	890	740
0902120A	Bottom Only	High	2405	2310	2220	2130	2025	1920	1790	1660	1530	1350
		Med-Low	2225	2155	2080	1995	1895	1785	1675	1565	1420	1260
		Low	2020	1955	1880	1805	1730	1630	1535	1420	1275	1135
	Both Sides or 1 Side & Bottom	High	2530	2450	2365	2270	2165	2065	1940	1805	1670	1505
		Med-Low	2285	2215	2150	2075	1985	1890	1780	1660	1525	1360
		Low	1995	1945	1900	1840	1770	1685	1600	1480	1350	1180
1 Side Only	High	2475	2395	2300	2200	2090	1985	1865	1730	1585	1425	
	Med-Low	2260	2190	2110	2035	1940	1845	1735	1620	1475	1325	
Low	1950	1910	1855	1795	1730	1650	1555	1445	1310	1150		
1101712A	Bottom or Side(s)	High	1600	1550	1490	1425	1355	1260	1135	990	785	530
		Med-Low	1475	1435	1395	1335	1285	1185	1070	890	725	450
		Low	1315	1295	1265	1220	1155	1080	985	810	675	440
1102116A	Bottom or Side(s)	High	2035	1965	1880	1790	1680	1495	1365	1215	1075	875
		Med-Low	1745	1710	1650	1560	1450	1340	1205	1090	955	750
		Low	1530	1515	1470	1400	1310	1215	1095	990	830	670
1102122A	Bottom Only	High	2530	2470	2400	2320	2220	2115	2000	1865	1730	1590
		Med-Low	2230	2205	2165	2110	2035	1950	1855	1740	1615	1485
		Low	1920	1900	1880	1845	1795	1730	1650	1555	1460	1340
	Bottom, Sides or 1 Side & Bottom	High	--	--	2415	2350	2250	2145	2015	1875	1715	1560
		Med-Low	2235	2205	2155	2100	2040	1955	1850	1740	1595	1470
		Low	1920	1900	1880	1845	1795	1730	1650	1555	1460	1340
1 Side Only	High	2540	2495	2430	2355	2265	2175	2065	1935	1785	1650	
	Med-Low	2125	2120	2105	2060	2010	1940	1840	1730	1615	1485	
Low	--	1795	1790	1765	1720	1650	1585	1500	1390	1280		
1352116A	Bottom or Side(s)	High	2090	2010	1930	1835	1710	1590	1470	1335	1025	835
		Med-Low	1790	1755	1705	1640	1550	1465	1360	1210	945	785
		Low	1545	1525	1500	1450	1380	1315	1215	1005	855	670
1352422A	Bottom Only	High	2485	2400	2310	2215	2110	2000	1880	1725	1535	1355
		Med-Low	2195	2150	2090	2000	1920	1825	1720	1565	1405	1255
		Low	1880	1850	1820	1780	1715	1635	1540	1415	1290	1160
	Bottom, Sides or Side & Bottom	High	--	--	2385	2305	2195	2085	1960	1825	1670	1465
		Med-Low	2180	2145	2060	2010	1945	1865	1765	1660	1515	1325
		Low	1880	1850	1820	1780	1715	1635	1540	1415	1290	1160
1 Side Only	High	--	--	2245	2155	2055	1940	1825	1695	1555	1385	
	Med-Low	2135	2085	2035	1975	1895	1795	1685	1565	1445	1265	
Low	1880	1850	1820	1780	1715	1635	1540	1415	1290	1160		
1552420A	Bottom Only	High	2465	2430	2375	2305	2230	2110	2000	1865	1725	1545
		Med-Low	2115	2105	2075	2030	1980	1910	1830	1725	1590	1425
		Low	1800	1790	1770	1735	1695	1640	1570	1465	1345	1225
	Both Sides or 1 Side & Bottom	High	--	--	2375	2285	2200	2105	1995	1870	1730	1570
		Med-Low	2155	2135	2095	2040	1975	1895	1790	1685	1550	1400
		Low	1800	1790	1770	1735	1695	1640	1570	1465	1345	1225
1 Side Only	High	--	--	2260	2180	2085	1975	1865	1740	1605	1455	
	Med-Low	2140	2095	2040	1975	1890	1810	1705	1595	1480	1325	
Low	1800	1790	1770	1735	1695	1640	1570	1465	1345	1225		

* A filter is required for each return-air inlet. Airflow performance included 3/4-in. (19 mm) washable filter media such as contained in factory-authorized accessory filter rack. To determine airflow performance without this filter, assume an additional 0.1 in. w.c. available external static pressure.

-- Indicates unstable operating conditions.

ACCESSORIES								
PART	DESCRIPTION	0451408	0451412	0701408	0701412	0701716	0901714	0902116
NAHB00501FF	External Bottom Filter Rack, 14 inch (14 x 25 inch washable filter included)	X	X	X	X			
NAHB00601FF	External Bottom Filter Rack, 17 inch (16 x 25 inch washable filter included)					X	X	
NAHB00701FF	External Bottom Filter Rack, 21 inch (20 x 25 inch washable filter included)							X
NAHB00801FF	External Bottom Filter Rack, 24 inch (24 x 25 inch washable filter included)							
NAHA00506FB†	Washable filter, 1 inch 16 x 25 (6 pack)					X	X	
NAHA00606FB	Washable filter, 1 inch 20 x 25 (6 pack)							X
NAHA00706FB	Washable filter, 1 inch 24 x 25 (6 pack)							
NAHA00806FB	Washable filter, 1 inch 14 x 25 (6 pack)	X	X	X	X			
NAHA00901FF	External Side Return Filter Rack 1 inch 16 x 25 (16 x 25 washable filter included)	X	X	X	X	X	X	X
NAHA00601WK	Twining Kit (Upflow, Downflow and Horizontal)	X	X	X	X	X	X	X
NAHA01101SB	Combustible Floor Base (Not required when evaporator coil case is used for downflow)	X	X	X	X	X	X	X
NAHB00301VC	Downflow Vent Guard (Not required when vent is routed through cabinet)	X	X	X	X	X	X	X
NAHA00401DH	Chimney Adapter Kit 4-in. vent	X	X	X	X	X	X	X
NAHA00301DH	Chimney Adapter Kit 5-in. vent							
NAHA00801LP 1183388 +	Natural-to-Propane Conversion Kit *	X	X	X	X	X	X	X
NAHA00801NG 1183389 +	Propane-to-Natural Conversion Kit *	X	X	X	X	X	X	X
NAHB00301WL	Warning Label Kit	X	X	X	X	X	X	X

ACCESSORIES								
PART	DESCRIPTION	0902120	1101712	1102116	1102122	1352116	1352422	1552420
NAHB00501FF	External Bottom Filter Rack, 14 inch (14 x 25 inch washable filter included)							
NAHB00601FF	External Bottom Filter Rack, 17 inch (16 x 25 inch washable filter included)		X					
NAHB00701FF	External Bottom Filter Rack, 21 inch (20 x 25 inch washable filter included)	X		X	X	X		
NAHB00801FF	External Bottom Filter Rack, 24 inch (24 x 25 inch washable filter included)						X	X
NAHA00506FB†	Washable filter, 1 inch 16 x 25 (6 pack)		X					
NAHA00606FB	Washable filter, 1 inch 20 x 25 (6 pack)	X		X	X	X		
NAHA00706FB	Washable filter, 1 inch 24 x 25 (6 pack)						X	X
NAHA00806FB	Washable filter, 1 inch 14 x 25 (6 pack)							
NAHA00901FF	External Side Return Filter Rack 1 inch 16 x 25 (16 x 25 washable filter included)	X	X	X	X	X	X	X
NAHA00601WK	Twining Kit (Upflow, Downflow and Horizontal)	X	X	X	X	X	X	X
NAHA01101SB	Combustible Floor Base (Not required when evaporator coil case is used for downflow)	X	X	X	X	X	X	X
NAHB00301VC	Downflow Vent Guard (Not required when vent is routed through cabinet)	X	X	X	X	X	X	X
NAHA00401DH	Chimney Adapter Kit 4-in. vent	X	X	X	X			
NAHA00301DH	Chimney Adapter Kit 5-in. vent					X	X	X
NAHA00801LP 1183388 +	Natural-to-Propane Conversion Kit *	X	X	X	X	X	X	X
NAHA00801NG 1183389 +	Propane-to-Natural Conversion Kit *	X	X	X	X	X	X	X
NAHB00301WL	Warning Label Kit	X	X	X	X	X	X	X

X Accessory available
 † Suitable for side return filter rack and 17 inch external bottom filter rack
 * Factory authorized and field installed. Gas conversion kits are CSA recognized.
 + FAST parts number