

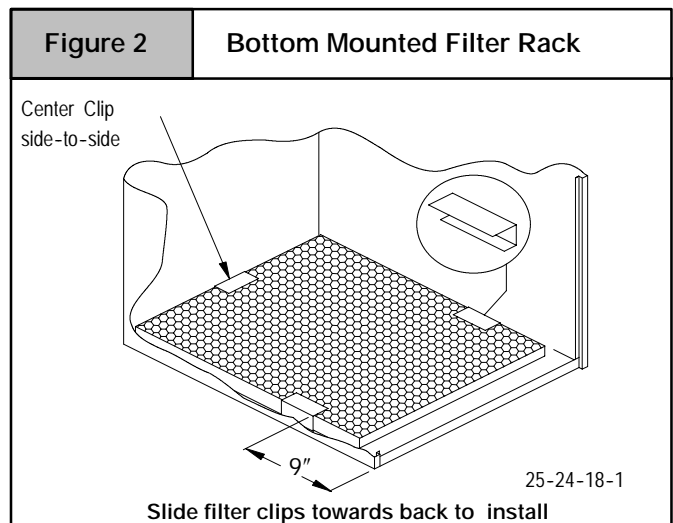
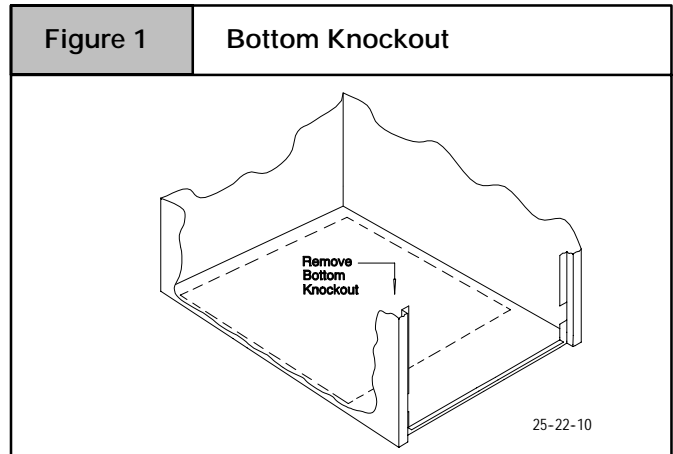
INSTALLATION INSTRUCTIONS

BOTTOM OR SIDE RETURN FILTER RACK KIT NAHA001FF/FP, NAHA002FF/FP, NAHA003FF/FP & NAHA004FF/FP

Used with all Upflow & Upflow/Horizontal Gas Furnaces

Please read these instructions completely before attempting installation.

1. These instructions recommend the proper method for the installation of a bottom return air filter. (See Figure 1)
2. Remove the blower door. Remove bottom knockout from base of furnace. (See Figure 1)
3. Install one (1) rear and two (2) side filter clips.
4. Slide the two side filter clips to the back of the furnace **BEFORE** installing the filter rack. This will allow the rack to clear the front raised edge of the furnace. Insert rack into side clips first and push rack back until it is fully engaged into back clip. When rack is in place, slide clips back into place midway on rack as shown in Figure 2.
5. Center unit over return opening. If necessary, seal around the base of the unit and the return air plenum. Install plastic filter cover over front of filter rack. Re-install blower door and check unit for proper air flow.



Model No.	Description	Duct Flange Dimensions A X B	Where Used
NAHA001FF NAHA001FP	Bottom or side return filter and filter frame kit 16" x 25".	19 ¹¹ / ₃₂ " X 14 ¹ / ₂ "	All Upflow & Upflow/Horizontal Models
NAHA002FF NAHA002FP	Bottom return filter and filter frame kit 20" x 25".	19 ¹¹ / ₃₂ " X 18 ¹ / ₂ "	
NAHA003FF NAHA003FP	Bottom or side return filter and filter frame kit 14" x 25".	19 ¹¹ / ₃₂ " X 12 ¹ / ₂ "	
NAHA004FF NAHA004FP	Bottom return filter and filter frame kit 25" x 25".	23 ⁵ / ₃₂ " X 23 ⁵ / ₃₂ "	