

PARTS MANUAL

Gas Furnace

F8MVL, G8MVL

Safety Labeling and Signal Words

DANGER, WARNING, CAUTION, and NOTE

The signal words **DANGER**, **WARNING**, **CAUTION**, and **NOTE** are used to identify levels of hazard seriousness. The signal word **DANGER** is only used on product labels to signify an immediate hazard. The signal words **WARNING**, **CAUTION**, and **NOTE** will be used on product labels and throughout this manual and other manuals that may apply to the product.

DANGER – Immediate hazards which **will** result in severe personal injury or death.

WARNING – Hazards or unsafe practices which **could** result in severe personal injury or death.

CAUTION – Hazards or unsafe practices which **may** result in minor personal injury or product or property damage.

NOTE – Used to highlight suggestions which **will** result in enhanced installation, reliability, or operation.

Signal Words in Manuals

The signal word **WARNING** is used throughout this manual in the following manner:



The signal word **CAUTION** is used throughout this manual in the following manner:



Signal Words on Product Labeling

Signal words are used in combination with colors and/or pictures on product labels.

TABLE OF CONTENTS

Model Number Identification	2
Parts Diagram	3 – 4
Parts	5 – 7

MODELS

F8MVL0701412A1	G8MVL0701412A1
F8MVL0901716A1	G8MVL0901716A1
F8MVL1102120A1	G8MVL1102120A1
F8MVL1352422A1	G8MVL1352422A1

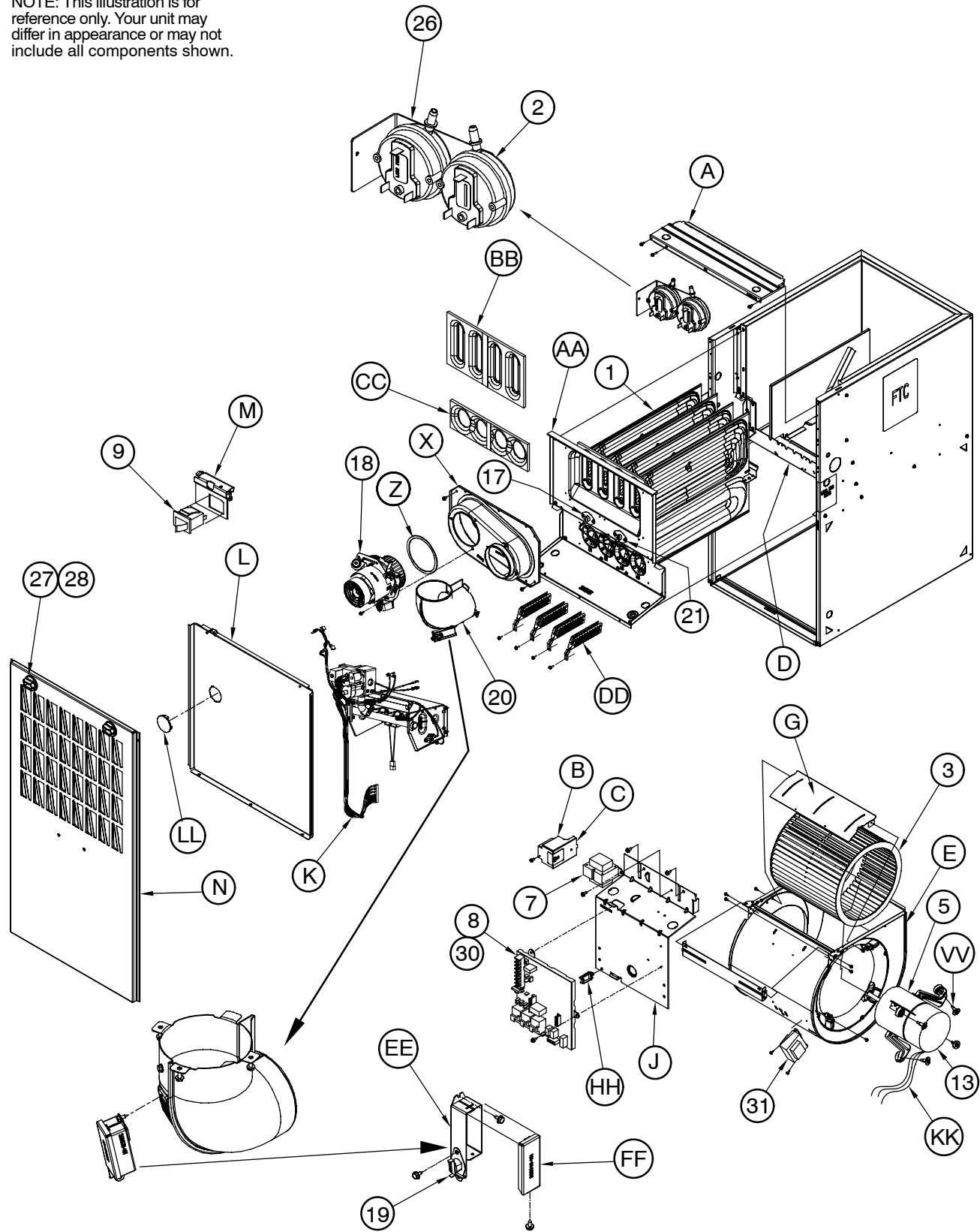
ELECTRICAL SHOCK HAZARD

Failure to turn off electric power could result in personal injury or death.

Before installing or servicing system, turn off main power to the system. There may be more than one disconnect switch, including accessory heater(s).

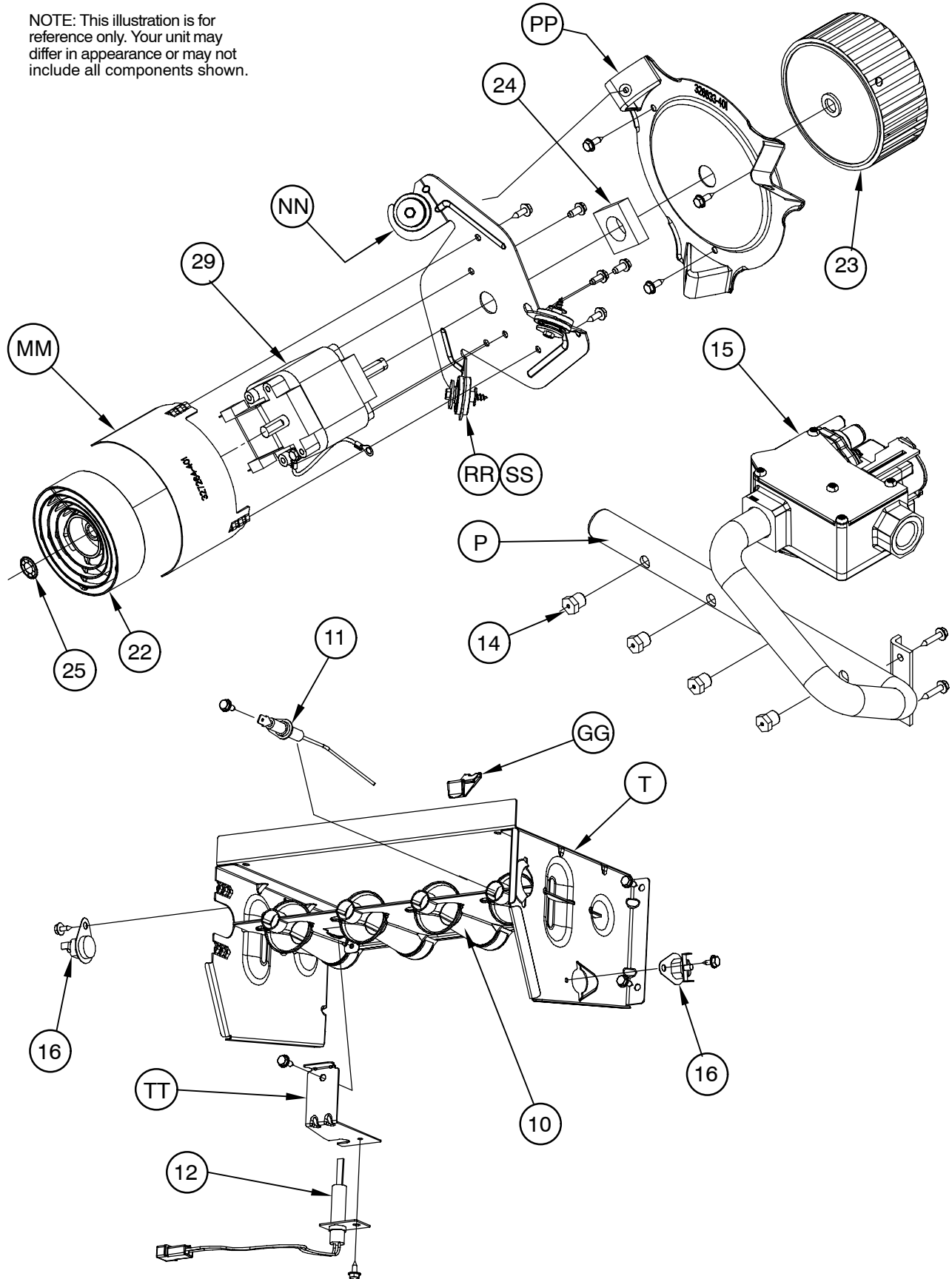
PARTS DIAGRAM

NOTE: This illustration is for reference only. Your unit may differ in appearance or may not include all components shown.



PARTS DIAGRAM

NOTE: This illustration is for reference only. Your unit may differ in appearance or may not include all components shown.



F8MVL, G8MVL PARTS LIST

KEY NO.	DESCRIPTION	FAST PARTS NO.	F8MVL0701412A1		F8MVL0901716A1		F8MVL1102120A1		F8MVL1352422A1		G8MVL0701412A1		G8MVL0901716A1		G8MVL1102120A1		G8MVL1352422A1	
			3	4	5	6	3	4	5	6	3	4	5	6	3	4	5	6
01	HEAT EXCHANGER ASY	1183426	3	4	5	6	3	4	5	6	3	4	5	6	3	4	5	6
02	SWITCH VENT PRESSURE	1183418	1	1	1	1	1	1	1	1	1	1	1	1	1	1	1	1
02	SWITCH VENT PRESSURE - HIGH ALTITUDE *	1183420	1	1	1	1	1	1	1	1	1	1	1	1	1	1	1	1
03	WHEEL BLOWER DD10 X 6 X 1/2 CW CV	1176934	1	-	-	-	1	-	-	-	-	-	-	-	-	-	-	-
03	WHEEL BLOWER DD10 X 8 X 1/2 CW CC	1176935	-	1	-	-	-	-	-	1	-	-	-	-	-	-	-	-
03	WHEEL BLOWER DD11 x 10 x 1/2 CW CC	1172129	-	-	1	-	-	-	-	-	-	-	1	-	-	-	-	-
03	WHEEL BLOWER DD11 X 11 X 1/2 CW CC	1176937	-	-	-	1	-	-	-	-	-	-	-	-	-	-	1	-
05	MTR BLR 1/2 HP VAR SPD	1183469	1	1	-	-	1	1	-	-	1	-	-	-	-	-	-	-
05	MTR BLR 1 HP VAR SPD	1183470	-	-	1	1	-	-	-	-	-	-	1	1	-	-	-	-
07	TRANSFORMER 40VA 120-24V	1177217	1	1	1	1	1	1	1	1	1	1	1	1	1	1	1	1
08	BOARD CIRCUIT	1183506	1	1	1	1	1	1	1	1	1	1	1	1	1	1	1	1
09	SWITCH DOOR	1171981	1	1	1	1	1	1	1	1	1	1	1	1	1	1	1	1
10	BURNER ASY	1176915	1	-	-	-	1	-	-	-	-	-	-	-	-	-	-	-
10	BURNER ASY	1176916	-	1	-	-	-	-	-	1	-	-	-	-	-	-	-	-
10	BURNER ASY	1176917	-	-	1	-	-	-	-	-	-	-	1	-	-	-	-	-
10	BURNER ASY	1176918	-	-	-	1	-	-	-	-	-	-	-	-	-	-	1	-
11	SENSOR FLAME	1176920	1	1	1	1	1	1	1	1	1	1	1	1	1	1	1	1
12	IGNITOR	1176919	1	1	1	1	1	1	1	1	1	1	1	1	1	1	1	1
13	MODULE CONTROL	1183508	1	1	1	1	1	1	1	1	1	1	1	1	1	1	1	1
14	ORIFICE	1176928	3	4	5	6	3	4	5	6	3	4	5	6	3	4	5	6
15	VALVE N&P HSI 2-STG WR 36J55-618	1183456	1	1	1	1	1	1	1	1	1	1	1	1	1	1	1	1
16	SWITCH LIMIT 350 F	1177033	2	2	2	2	2	2	2	2	2	2	2	2	2	2	2	2
17	SWITCH LIMIT 165 F	1176905	1	-	1	-	1	-	1	-	1	-	1	-	1	-	1	-
17	SWITCH LIMIT 180 F	1176906	-	1	-	-	-	-	-	1	-	-	-	-	-	-	-	-
17	SWITCH LIMIT 235 F	1176908	-	-	-	1	-	-	-	-	-	-	-	-	-	-	1	-
18	INDUCER MOTOR ASY	1183438	1	-	-	-	1	-	-	-	-	-	-	-	-	-	-	-
18	INDUCER MOTOR ASY	1183439	-	1	-	-	-	-	-	1	-	-	-	-	-	-	-	-
18	INDUCER MOTOR ASY	1183440	-	-	1	-	-	-	-	-	-	-	1	-	-	-	-	-
18	INDUCER MOTOR ASY	1183441	-	-	-	1	-	-	-	-	-	-	-	-	-	-	1	-
19	SWITCH LIMIT AUTO RESET 200 F	1176902	1	1	1	1	1	1	1	1	1	1	1	1	1	1	1	1
20	VENT ELBOW ASY	1183473	1	1	1	1	1	1	1	1	1	1	1	1	1	1	1	1
22	INDUCER FAN	1183442	1	1	1	1	1	1	1	1	1	1	1	1	1	1	1	1
23	WHEEL INDUCER 4.5 X 1.5	1183454	1	1	1	1	1	1	1	1	1	1	1	1	1	1	1	1
24	SHAFT SEAL	1183443	1	1	1	1	1	1	1	1	1	1	1	1	1	1	1	1
25	CLIP	1177196	1	1	1	1	1	1	1	1	1	1	1	1	1	1	1	1
26	SWITCH VENT PRESSURE	1183419	1	1	1	1	1	1	1	1	1	1	1	1	1	1	1	1
27	DOOR LATCH	1183487	1	1	1	1	1	1	1	1	1	1	1	1	1	1	1	1
28	KNOB	1183488	1	1	1	1	1	1	1	1	1	1	1	1	1	1	1	1
29	MTR INDUCER 1/115 2-SPD	1183449	1	-	-	-	1	-	-	-	-	-	-	-	-	-	-	-
29	MTR INDUCER 1/115 2-SPD	1183450	-	1	-	-	-	-	-	1	-	-	-	-	-	-	-	-
29	MTR INDUCER 1/115 2-SPD	1183451	-	-	1	-	-	-	-	-	-	-	1	-	-	-	-	-
29	MTR INDUCER 1/115 2-SPD	1183452	-	-	-	1	-	-	-	-	-	-	-	-	-	-	1	-
30	MODEL PLUG	1183489	1	-	-	-	1	-	-	-	-	-	-	-	-	-	-	-
30	MODEL PLUG	1183490	-	1	-	-	-	-	-	1	-	-	-	-	-	-	-	-
30	MODEL PLUG	1183552	-	-	1	-	-	-	-	-	-	-	1	-	-	-	-	-
30	MODEL PLUG	1183491	-	-	-	1	-	-	-	-	-	-	-	-	-	1	-	-
31	CHOKE POWER VS	1172838	-	-	1	1	-	-	-	-	-	-	1	-	-	1	-	-
A	TOP PLATE	1183414	1	-	-	-	1	-	-	-	-	-	-	-	-	-	-	-
A	TOP PLATE	1183415	-	1	-	-	-	-	-	1	-	-	-	-	-	-	-	-
A	TOP PLATE	1183416	-	-	1	-	-	-	-	-	-	-	1	-	-	-	-	-
A	TOP PLATE	1183417	-	-	-	1	-	-	-	-	-	-	-	-	-	-	1	-
AA	PANEL CELL	1183428	1	-	-	-	1	-	-	-	-	-	-	-	-	-	-	-

* HIGH ALTITUDE HIGH-FIRE REPLACEMENT SWITCH

- continued on next page -

F8MVL, G8MVL PARTS LIST (continued)

KEY NO.	DESCRIPTION	FAST PARTS NO.	F8MVL0701412A1	F8MVL0901716A1	F8MVL1102120A1	F8MVL1352422A1	G8MVL0701412A1	G8MVL0901716A1	G8MVL1102120A1	G8MVL1352422A1
AA	PANEL CELL	1183429	-	1	-	-	-	1	-	-
AA	PANEL CELL	1183494	-	-	1	-	-	-	1	-
AA	PANEL CELL	1183431	-	-	-	1	-	-	-	1
B	BOX AUX J	1183421	1	1	1	1	1	1	1	1
BB	GASKET OUTLET 3 CELL	1176898	1	-	-	-	1	-	-	-
BB	GASKET OUTLET 4 CELL	1176899	-	1	-	-	-	1	-	-
BB	GASKET OUTLET 5 CELL	1176900	-	-	1	-	-	-	1	-
BB	GASKET OUTLET 6 CELL	1176901	-	-	-	1	-	-	-	1
C	COVER BOX AUX J	1183422	1	1	1	1	1	1	1	1
CC	GASKET INLET 3 CELL	1176893	1	-	-	-	1	-	-	-
CC	GASKET INLET 4 CELL	1176894	-	1	-	-	-	1	-	-
CC	GASKET INLET 5 CELL	1176895	-	-	1	-	-	-	1	-
CC	GASKET INLET 6 CELL	1176896	-	-	-	1	-	-	-	1
D	SHELF ASY BLOWER	1177037	1	-	-	-	1	-	-	-
D	SHELF ASY BLOWER	1177038	-	1	-	-	-	1	-	-
D	SHELF ASY BLOWER	1177040	-	-	1	-	-	-	1	-
D	SHELF ASY BLOWER	1177042	-	-	-	1	-	-	-	1
DD	RADIATOR FLAME	1177046	3	4	5	6	3	4	5	6
E	HOUSING ASY BLOWER	1183462	1	-	-	-	1	-	-	-
E	HOUSING ASY BLOWER	1183463	-	1	-	-	-	1	-	-
E	HOUSING ASY BLOWER	1183495	-	-	1	-	-	-	1	-
E	HOUSING ASY BLOWER	1183464	-	-	-	1	-	-	-	1
EE	BOX SAFE GUARD	1176958	1	1	1	1	1	1	1	1
FF	COVER SAFE GUARD BOX	1176959	1	1	1	1	1	1	1	1
G	CUTOFF BLOWER	1176938	1	-	-	-	1	-	-	-
G	CUTOFF BLOWER	1176939	-	1	-	-	-	1	-	-
G	CUTOFF BLOWER	1183500	-	-	1	-	-	-	1	-
G	CUTOFF BLOWER	1176941	-	-	-	1	-	-	-	1
GG	CLIP HARNESS RETAINER	1176922	1	1	1	1	1	1	1	1
HH	CLIP HARNESS RETAINER	1176946	1	1	1	1	1	1	1	1
J	BRACKET CONTROL MTG	1183472	1	1	1	1	1	1	1	1
K	HARNESS ASY 80% VAR SPD	1183424	1	1	1	1	1	1	1	1
KK	HARNESS ASY 2-STG VAR SPD	1183471	1	1	1	1	1	1	1	1
L	BLOWER DOOR ASY	1183496	1	-	-	-	1	-	-	-
L	BLOWER DOOR ASY	1183497	-	1	-	-	-	1	-	-
L	BLOWER DOOR ASY	1183498	-	-	1	-	-	-	1	-
L	BLOWER DOOR ASY	1183499	-	-	-	1	-	-	-	1
LL	SIGHTGLASS	1183478	1	1	1	1	1	1	1	1
M	BRACKET DOOR SWITCH	1183425	1	1	1	1	1	1	1	1
MM	INDUCER MOTOR SHIELD	1183446	1	1	1	1	1	1	1	1
N	DOOR ASY OUTER	1183479	-	-	-	-	1	-	-	-
N	DOOR ASY OUTER	1183480	-	-	-	-	-	1	-	-
N	DOOR ASY OUTER	1183481	-	-	-	-	-	-	1	-
N	DOOR ASY OUTER	1183482	-	-	-	-	-	-	-	1
N	DOOR ASY OUTER	1183483	1	-	-	-	-	-	-	-
N	DOOR ASY OUTER	1183484	-	1	-	-	-	-	-	-
N	DOOR ASY OUTER	1183485	-	-	1	-	-	-	-	-
N	DOOR ASY OUTER	1183486	-	-	-	1	-	-	-	-
NN	INDUCER MOTOR BRACKET	1183445	1	1	1	1	1	1	1	1
P	MANIFOLD	1176924	1	-	-	-	1	-	-	-
P	MANIFOLD	1176925	-	1	-	-	-	1	-	-
P	MANIFOLD	1176926	-	-	1	-	-	-	1	-
P	MANIFOLD	1176927	-	-	-	1	-	-	-	1

- continued on next page -

F8MVL, G8MVL PARTS LIST (continued)

KEY NO.	DESCRIPTION	FAST PARTS NO.	F8MVL0701412A1	F8MVL0901716A1	F8MVL1102120A1	F8MVL1352422A1	G8MVL0701412A1	G8MVL0901716A1	G8MVL1102120A1	G8MVL1352422A1
PP	INDUCER MOTOR SUPPORT	1183444	1	1	1	1	1	1	1	1
RR	SCREW	1183447	3	3	3	3	3	3	3	3
SS	GROMMET	1183453	3	3	3	3	3	3	3	3
T	SUPPORT ASY BURNER	1177029	1	-	-	-	1	-	-	-
T	SUPPORT ASY BURNER	1177030	-	1	-	-	-	1	-	-
T	SUPPORT ASY BURNER	1177031	-	-	1	-	-	-	1	-
T	SUPPORT ASY BURNER	1177032	-	-	-	1	-	-	-	1
TT	BRACKET IGNITER	1183455	1	1	1	1	1	1	1	1
VV	SCREW THD FORMING 1/4-20X1-1/4	1178570	4	4	4	4	4	4	4	4
X	INDUCER HOUSING ASY	1183433	1	-	-	-	1	-	-	-
X	INDUCER HOUSING ASY	1183434	-	1	-	-	-	1	-	-
X	INDUCER HOUSING ASY	1183435	-	-	1	-	-	-	1	-
X	INDUCER HOUSING ASY	1183436	-	-	-	1	-	-	-	1
Z	GASKET INDUCER MOTOR	1176913	1	1	1	1	1	1	1	1
PARTS NOT SHOWN										
)	NAHA00801LP - GAS CONV NAT>LP	1183388	1	1	1	1	1	1	1	1
)	NAHA00801NG - GAS CONV LP>NAT	1183389	1	1	1	1	1	1	1	1
)	NAHA00201HL - HIGH ALTITUDE KIT	1183387	1	1	1	1	1	1	1	1
)	KIT GASKET BLW DOOR LEAKAGE	1183413	1	1	1	1	1	1	1	1