

PARTS MANUAL

Gas Furnace

N8MSN, N8MSL

Safety Labeling and Signal Words

DANGER, WARNING, CAUTION, and NOTE

The signal words **DANGER**, **WARNING**, **CAUTION**, and **NOTE** are used to identify levels of hazard seriousness. The signal word **DANGER** is only used on product labels to signify an immediate hazard. The signal words **WARNING**, **CAUTION**, and **NOTE** will be used on product labels and throughout this manual and other manuals that may apply to the product.

DANGER – Immediate hazards which **will** result in severe personal injury or death.

WARNING – Hazards or unsafe practices which **could** result in severe personal injury or death.

CAUTION – Hazards or unsafe practices which **may** result in minor personal injury or product or property damage.

NOTE – Used to highlight suggestions which **will** result in enhanced installation, reliability, or operation.

Signal Words in Manuals

The signal word **WARNING** is used throughout this manual in the following manner:



The signal word **CAUTION** is used throughout this manual in the following manner:



Signal Words on Product Labeling

Signal words are used in combination with colors and/or pictures on product labels.

TABLE OF CONTENTS

MODEL NUMBER IDENTIFICATION GUIDE	2
PARTS DIAGRAM	3
PARTS LIST	5

MODELS

N8MSN0451408A1	N8MSL0451408A1
N8MSN0451412A1	N8MSL0451412A1
N8MSN0701408A1	N8MSL0701408A1
N8MSN0701412A1	N8MSL0701412A1
N8MSN0701716A1	N8MSL0701716A1
N8MSN0901714A1	N8MSL0901714A1
N8MSN0902116A1	N8MSL0902116A1
N8MSN0902120A1	N8MSL0902120A1
N8MSN1101712A1	N8MSL1101712A1
N8MSN1102116A1	N8MSL1102116A1
N8MSN1102122A1	N8MSL1102122A1
N8MSN1352116A1	N8MSL1352116A1
N8MSN1352422A1	N8MSL1352422A1
N8MSN1552420A1	N8MSL1552420A1

ELECTRICAL SHOCK HAZARD

Failure to turn off electric power could result in personal injury or death.

Before installing or servicing system, turn off main power to the system. There may be more than one disconnect switch, including accessory heater(s).



Use of the AHRI Certified TM Mark indicates a manufacturer's participation in the program. For verification of certification for individual products, go to www.ahridirectory.org.



ISO 9001
QMI-SAI Global

MODEL NUMBER IDENTIFICATION GUIDE

DIGIT POSITION	1	2	3	4	5	6,7,8	9,10	11,12	13	14
	N	8	M	S	L	045	14	12	A	1
N = Entry	EFFICIENCY		POSITION							
8 = 80% AFUE										
M = Multiposition										
V = Variable Speed Blower Motor - ECM										
X = ECM Blower Motor										
S = Single-stage										
T = Two-stage			TYPE							
N = Standard										
L = Low NOx					FEATURE					
045 = 44,000 BTU/hr										
070 = 66,000 BTU/hr										
090 = 88,000 BTU/hr										
110 = 110,000 BTU/hr										
135 = 132,000 BTU/hr										
155 = 154,000 BTU/hr					HEAT INPUT					
14 = 14-3/16"										
17 = 17-1/2"										
21 = 21"										
24 = 24-1/2"					CABINET WIDTH					
08 = 800 CFM										
12 = 1200 CFM										
14 = 1400 CFM										
16 = 1600 CFM										
20 = 2000 CFM										
22 = 2200 CFM					NOMINAL MAXIMUM COOLING AIRFLOW @ .5 IN. W.C.					
SALES (MAJOR) REVISION DIGIT										
ENGINEERING (MINOR) REVISION DIGIT										

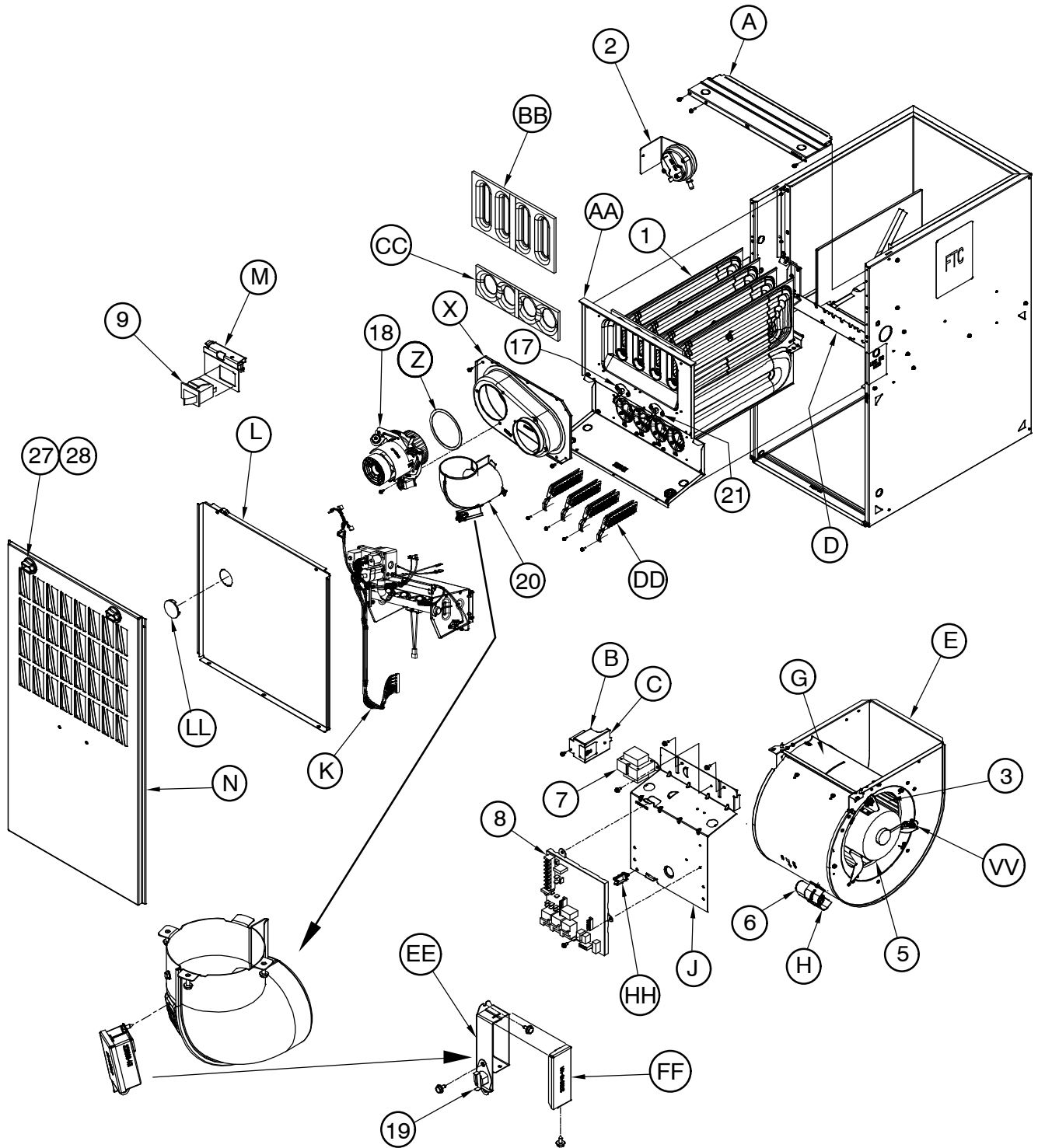
ECM—Electronically Commutated Motor

ACCESSORIES PART NUMBER IDENTIFICATION GUIDE

DIGIT POSITION	1	2	3	4	5, 6, 7	8, 9	10, 11
	N	A	H	A	001	01	DH
N = Non-Branded	BRANDING						
A = Accessory	PRODUCT GROUP						
H = Heating			KIT USAGE				
A = Original							
B = 2nd Generation			MAJOR SERIES				
Product Identifier Number							
Package Quantity							
Type of Kit (Example: DH = Draft Hood - Chimney Adapter)							

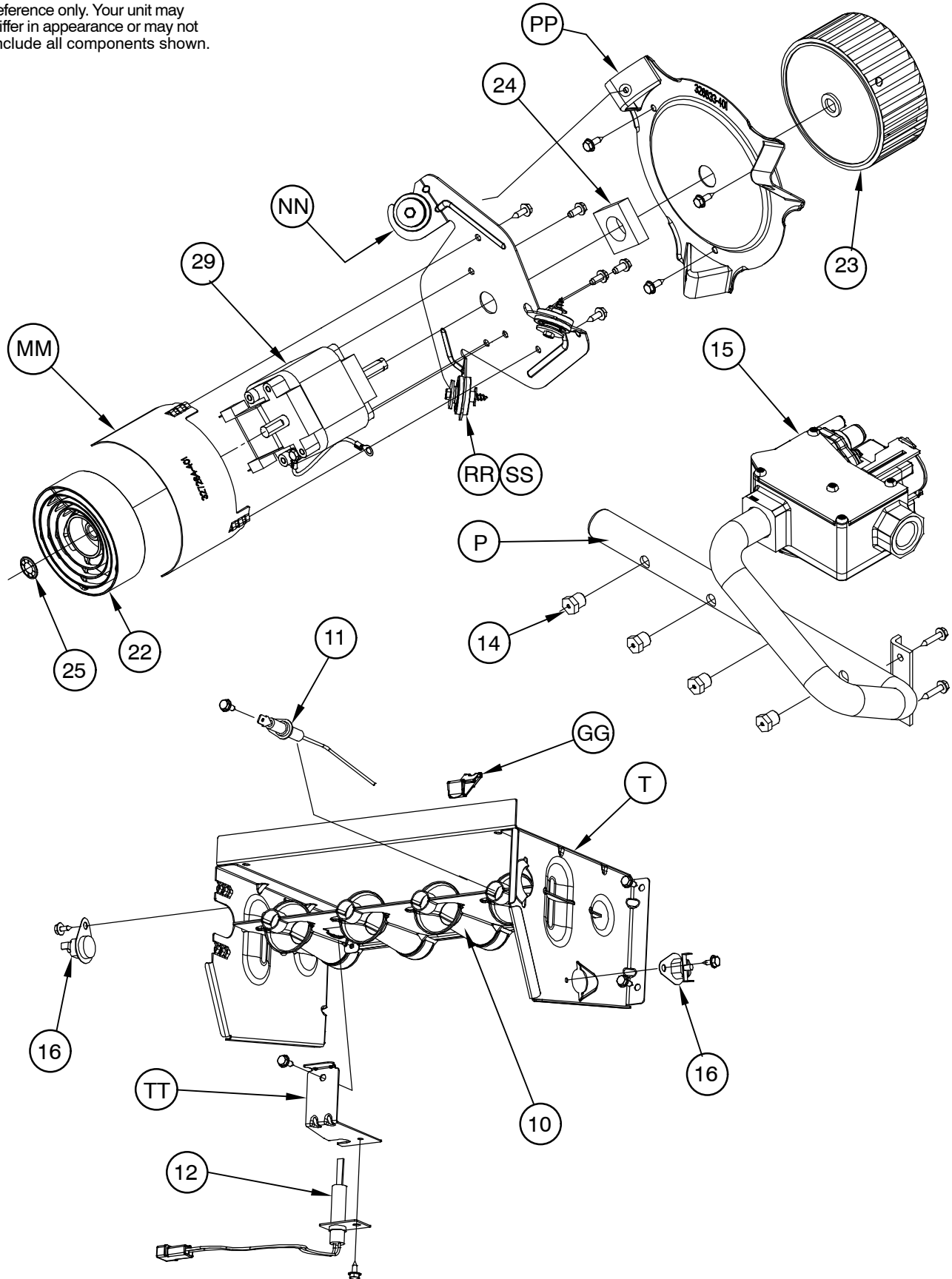
PARTS DIAGRAM

NOTE: This illustration is for reference only. Your unit may differ in appearance or may not include all components shown.



PARTS DIAGRAM

NOTE: This illustration is for reference only. Your unit may differ in appearance or may not include all components shown.



N8MSN, N8MSL PARTS LIST

KEY NO.	DESCRIPTION	FAST PARTS NO.	N8MSN, N8MSL PARTS LIST													
			N8MS(N,L)0451408A1	N8MS(N,L)0451412A1	N8MS(N,L)0701408A1	N8MS(N,L)0701412A1	N8MS(N,L)0701716A1	N8MS(N,L)0901714A1	N8MS(N,L)0902116A1	N8MS(N,L)0902120A1	N8MS(N,L)1101712A1	N8MS(N,L)1102116A1	N8MS(N,L)1102122A1	N8MS(N,L)1352116A1	N8MS(N,L)1352422A1	N8MS(N,L)1552420A1
1	HEAT EXCHANGER ASY	1183426	2	2	3	3	3	4	4	4	5	5	5	6	6	7
2	SWITCH VENT PRESSURE	1183418	1	1	1	1	1	1	1	1	1	1	1	1	1	1
2	SWITCH PRESSURE	1183920	-	-	-	-	-	-	1	-	1	1	-	-	-	1
3	WHEEL BLOWER DD10 X 6 X 1/2 CW CV	1176934	1	1	1	1	-	-	-	-	-	-	-	-	-	-
3	WHEEL BLOWER DD10 X 8 X 1/2 CW CC	1176935	-	-	-	-	-	1	-	-	1	-	-	-	-	-
3	WHEEL BLOWER DD10 X 10 X 1/2 CW CC	1176936	-	-	-	-	-	-	1	-	-	-	-	1	-	-
3	WHEEL BLOWER DD11 X 11 X 1/2 CW CC	1176937	-	-	-	-	-	-	-	1	-	-	1	-	1	1
3	WHEEL BLOWER DD11 X 8 X 1/2 CW CV	1177180	-	-	-	-	1	-	-	-	-	-	-	-	-	-
5	MTR BLR 1/115 1/5 HP 1075/3	1176930	1	-	1	-	-	-	-	-	-	-	-	-	-	-
5	MTR BLR 1/115 1/3 HP 1075/3	1176931	-	1	-	1	-	1	-	-	1	-	-	-	-	-
5	MTR BLR 1/115 1/2 HP 1075/3	1176932	-	-	-	-	1	-	1	-	-	1	-	1	-	-
5	MTR BLR 1/115 3/4 HP 1075/3	1176933	-	-	-	-	-	-	-	1	-	-	1	-	1	1
6	CAP RN OV 370V 7.5	1171728	-	-	1	1	-	-	1	-	-	-	-	-	-	-
6	CAP RN OV 370V 10	1171729	1	1	-	-	-	1	-	1	1	1	1	1	1	1
6	CAP RN OV 370V 15	1171730	-	-	-	-	1	-	-	-	-	-	-	-	-	-
7	TRANSFORMER 40VA 120-24V	1177217	1	1	1	1	1	1	1	1	1	1	1	1	1	1
8	BOARD CIRCUIT	1183384	1	1	1	1	1	1	1	1	1	1	1	1	1	1
9	SWITCH DOOR	1171981	1	1	1	1	1	1	1	1	1	1	1	1	1	1
10	BURNER ASY	1176914	1	1	-	-	-	-	-	-	-	-	-	-	-	-
10	BURNER ASY	1176915	-	-	1	1	1	-	-	-	-	-	-	-	-	-
10	BURNER ASY	1176916	-	-	-	-	-	1	1	1	-	-	-	-	-	-
10	BURNER ASY	1176917	-	-	-	-	-	-	-	-	1	1	1	-	-	-
10	BURNER ASY	1176918	-	-	-	-	-	-	-	-	-	-	-	1	1	-
10	BURNER ASY	1184074	-	-	-	-	-	-	-	-	-	-	-	-	-	1
11	SENSOR FLAME	1176920	1	1	1	1	1	1	1	1	1	1	1	1	1	1
12	IGNITOR	1176919	1	1	1	1	1	1	1	1	1	1	1	1	1	1
14	ORIFICE	1176928	2	2	3	3	3	4	4	4	5	5	5	6	6	7
15	VALVE GAS	1176929	1	1	1	1	1	1	1	1	1	1	1	1	1	1
16	SWITCH LIMIT 350 F	1177033	2	2	2	2	2	2	2	2	2	2	2	2	2	2
17	SWITCH LIMIT AUTO RESET	1176903	-	-	-	-	-	-	-	-	-	1	-	-	-	-
17	SWITCH LIMIT 165 F	1176905	-	-	-	1	-	-	-	-	-	-	1	1	-	-
17	SWITCH LIMIT 180 F	1176906	-	-	1	-	-	1	1	-	-	-	-	-	-	1
17	SWITCH LIMIT 220 F	1176907	1	-	-	-	-	-	-	-	-	-	-	-	-	-
17	SWITCH LIMIT 235 F	1176908	-	-	-	-	-	-	-	-	-	-	-	-	1	-
17	SWITCH LIMIT 240 F	1176909	-	1	-	-	-	-	-	-	-	-	-	-	-	-
17	SWITCH LIMIT 190 F	1183523	-	-	-	-	-	-	-	1	-	-	-	-	-	-
17	SWITCH LIMIT 160 F	1183524	-	-	-	-	1	-	-	-	-	-	-	-	-	-
17	SWITCH LIMIT 185 F	1184056	-	-	-	-	-	-	-	-	1	-	-	-	-	-
18	INDUCER MOTOR ASY	1176910	1	1	1	1	1	-	-	-	-	-	-	-	-	-
18	INDUCER MOTOR ASY	1176911	-	-	-	-	-	1	1	1	-	-	-	-	-	-
18	INDUCER MOTOR ASY	1176912	-	-	-	-	-	-	-	-	1	1	1	1	1	1
19	SWITCH LIMIT AUTO RESET 200 F	1176902	1	1	1	1	1	1	1	1	1	1	1	1	1	1
20	ELBOW VENT ASY	1183473	1	1	1	1	1	1	1	1	1	1	1	1	1	1
21	SWITCH LIMIT 210 F	1176904	-	-	-	-	-	-	-	-	-	-	1	-	-	-
22	INDUCER FAN	1183442	1	1	1	1	1	1	1	1	1	1	1	1	1	1
23	WHEEL INDUCER 4.5 X 1.5	1183454	1	1	1	1	1	1	1	1	1	1	1	1	1	1
24	SHAFT SEAL	1183443	1	1	1	1	1	1	1	1	1	1	1	1	1	1
25	CLIP	1177196	1	1	1	1	1	1	1	1	1	1	1	1	1	1
27	DOOR LATCH	1183487	2	2	2	2	2	2	2	2	2	2	2	2	2	2
28	KNOB	1183488	2	2	2	2	2	2	2	2	2	2	2	2	2	2
29	INDUCER MTR 1/115 2-SPD	1183448	-	-	-	-	-	-	1	-	-	-	-	-	-	-
29	INDUCER MTR 1/115 8.1 3000	1183525	1	1	1	1	1	-	-	-	-	-	-	-	-	-
29	INDUCER MTR 1/115 16 3000	1183526	-	-	-	-	-	1	-	1	-	-	-	-	-	-
29	INDUCER MTR 1/115 30 3000	1183527	-	-	-	-	-	-	-	-	1	1	1	1	1	1
A	TOP PLATE	1183414	1	1	1	1	-	-	-	-	-	-	-	-	-	-
A	TOP PLATE	1183415	-	-	-	-	1	1	-	-	1	-	-	-	-	-
A	TOP PLATE	1183416	-	-	-	-	-	-	1	1	-	1	1	1	-	-

- continued on next page -

N8MSN, N8MSL PARTS LIST (continued)

KEY NO.	DESCRIPTION	FAST PARTS NO.	N8MSN, N8MSL PARTS LIST (continued)													
			N8MS(N,L)0451408A1	N8MS(N,L)0451412A1	N8MS(N,L)0701408A1	N8MS(N,L)0701412A1	N8MS(N,L)0701716A1	N8MS(N,L)0901714A1	N8MS(N,L)0902116A1	N8MS(N,L)0902120A1	N8MS(N,L)1101712A1	N8MS(N,L)1102116A1	N8MS(N,L)1102122A1	N8MS(N,L)1352116A1	N8MS(N,L)1352422A1	N8MS(N,L)1552420A1
A	TOP PLATE	1183417	-	-	-	-	-	-	-	-	-	-	-	-	-	-
AA	CELL PANEL	1183427	1	1	-	-	-	-	-	-	-	-	-	-	-	-
AA	CELL PANEL	1183428	-	-	1	1	-	-	-	-	-	-	-	-	-	-
AA	CELL PANEL	1183429	-	-	-	-	-	1	-	-	-	-	-	-	-	-
AA	CELL PANEL	1183430	-	-	-	-	-	-	-	-	-	1	-	-	-	-
AA	CELL PANEL	1183431	-	-	-	-	-	-	-	-	-	-	1	-	1	-
AA	CELL PANEL	1183494	-	-	-	-	-	-	-	-	1	-	-	-	-	-
AA	CELL PANEL	1183528	-	-	-	-	1	-	-	-	-	-	-	-	-	-
AA	CELL PANEL	1183529	-	-	-	-	-	1	1	-	-	-	-	-	-	-
AA	CELL PANEL	1183554	-	-	-	-	-	-	-	-	-	-	1	-	-	-
AA	CELL PANEL	1184054	-	-	-	-	-	-	-	-	-	-	-	-	-	1
AA	CELL PANEL	1184055	-	-	-	-	-	-	-	1	-	-	-	-	-	-
B	BOX AUX J	1183421	1	1	1	1	1	1	1	1	1	1	1	1	1	1
BB	GASKET OUTLET 2 CELL	1176897	1	1	-	-	-	-	-	-	-	-	-	-	-	-
BB	GASKET OUTLET 3 CELL	1176898	-	-	1	1	-	-	-	-	-	-	-	-	-	-
BB	GASKET OUTLET 4 CELL	1176899	-	-	-	-	-	1	1	-	-	-	-	-	-	-
BB	GASKET OUTLET 5 CELL	1176900	-	-	-	-	-	-	-	1	1	1	-	-	-	-
BB	GASKET OUTLET 6 CELL	1176901	-	-	-	-	-	-	-	-	-	-	1	1	-	-
BB	GASKET OUTLET 3 CELL	1183530	-	-	-	-	1	-	-	-	-	-	-	-	-	-
BB	GASKET OUTLET 4 CELL	1183555	-	-	-	-	-	-	1	-	-	-	-	-	-	-
BB	GASKET OUTLET 7 CELL	1184058	-	-	-	-	-	-	-	-	-	-	-	-	-	1
C	COVER BOX AUX J	1183422	1	1	1	1	1	1	1	1	1	1	1	1	1	1
CC	GASKET INLET 2 CELL	1176892	1	1	-	-	-	-	-	-	-	-	-	-	-	-
CC	GASKET INLET 3 CELL	1176893	-	-	1	1	1	-	-	-	-	-	-	-	-	-
CC	GASKET INLET 4 CELL	1176894	-	-	-	-	-	1	1	1	-	-	-	-	-	-
CC	GASKET INLET 5 CELL	1176895	-	-	-	-	-	-	-	1	1	1	-	-	-	-
CC	GASKET INLET 6 CELL	1176896	-	-	-	-	-	-	-	-	-	-	1	1	-	-
CC	GASKET INLET 7 CELL	1184057	-	-	-	-	-	-	-	-	-	-	-	-	-	1
D	SHELF ASY BLOWER	1177034	1	-	-	-	-	-	-	-	-	-	-	-	-	-
D	SHELF ASY BLOWER	1177035	-	1	-	-	-	-	-	-	-	-	-	-	-	-
D	SHELF ASY BLOWER	1177036	-	-	1	-	-	-	-	-	-	-	-	-	-	-
D	SHELF ASY BLOWER	1177037	-	-	-	1	-	-	-	-	-	-	-	-	-	-
D	SHELF ASY BLOWER	1177038	-	-	-	-	-	1	-	-	-	-	-	-	-	-
D	SHELF ASY BLOWER	1177039	-	-	-	-	-	-	1	-	-	-	-	-	-	-
D	SHELF ASY BLOWER	1177040	-	-	-	-	-	-	-	-	-	1	-	-	-	-
D	SHELF ASY BLOWER	1177041	-	-	-	-	-	-	-	-	-	-	1	-	-	-
D	SHELF ASY BLOWER	1177042	-	-	-	-	-	-	-	-	-	-	-	-	1	-
D	SHELF ASY BLOWER	1183531	-	-	-	-	1	-	-	-	-	-	-	-	-	-
D	SHELF ASY BLOWER	1183556	-	-	-	-	-	-	1	-	-	-	-	-	-	-
D	SHELF ASY BLOWER	1183557	-	-	-	-	-	-	-	-	-	-	1	-	-	-
D	SHELF ASY BLOWER	1184049	-	-	-	-	-	-	-	1	-	-	-	-	-	-
D	SHELF ASY BLOWER	1184050	-	-	-	-	-	-	-	-	-	-	-	-	-	1
DD	RADIATOR FLAME - N8MSL (LOW NOx ONLY)	1177046	2	2	3	3	3	4	4	4	5	5	5	6	6	7
E	HOUSING ASY BLOWER	1183462	1	1	1	1	-	-	-	-	-	-	-	-	-	-
E	HOUSING ASY BLOWER	1183463	-	-	-	-	-	1	-	-	1	-	-	-	-	-
E	HOUSING ASY BLOWER	1183464	-	-	-	-	-	-	1	-	-	1	-	1	1	-
E	HOUSING ASY BLOWER	1183532	-	-	-	-	1	-	-	-	-	-	-	-	-	-
E	HOUSING ASY BLOWER	1183533	-	-	-	-	-	1	-	-	1	-	1	-	-	-
EE	BOX SAFE GUARD	1176958	1	1	1	1	1	1	1	1	1	1	1	1	1	1
FF	COVER SAFE GUARD BOX	1176959	1	1	1	1	1	1	1	1	1	1	1	1	1	1
G	CUTOFF BLOWER	1176938	1	1	1	1	-	-	-	-	-	-	-	-	-	-
G	CUTOFF BLOWER	1176939	-	-	-	-	1	-	-	-	-	-	-	-	-	-
G	CUTOFF BLOWER	1176939	-	-	-	-	-	-	-	1	-	-	-	-	-	-
G	CUTOFF BLOWER	1176940	-	-	-	-	-	1	-	-	1	-	1	-	-	-
G	CUTOFF BLOWER	1176941	-	-	-	-	-	-	1	-	-	1	-	1	1	-
G	CUTOFF BLOWER	1183535	-	-	-	-	1	-	-	-	-	-	-	-	-	-
GG	CLIP HARNESS RETAINER	1176922	1	1	1	1	1	1	1	1	1	1	1	1	1	1

- continued on next page -

N8MSN, N8MSL PARTS LIST (continued)

KEY NO.	DESCRIPTION	FAST PARTS NO.	N8MS(N,L)0451408A1	N8MS(N,L)0451412A1	N8MS(N,L)0701408A1	N8MS(N,L)0701412A1	N8MS(N,L)0701716A1	N8MS(N,L)0901714A1	N8MS(N,L)0902116A1	N8MS(N,L)0902120A1	N8MS(N,L)1101712A1	N8MS(N,L)1102116A1	N8MS(N,L)1102122A1	N8MS(N,L)1352116A1	N8MS(N,L)1352422A1	N8MS(N,L)1552420A1
H	STRAP CAPACITOR OVAL	1170643	1	1	1	1	1	1	1	1	1	1	1	1	1	1
HH	CLIP HARNESS RETAINER	1176946	1	1	1	1	1	1	1	1	1	1	1	1	1	1
J	BRACKET BLOWER MTG	1183461	-	-	-	-	-	-	-	-	-	-	-	-	-	1
J	BRACKET CONTROL MTG	1183472	1	1	1	1	1	1	-	1	-	-	1	1	1	-
J	BRACKET BLOWER MTG	1183534	-	-	-	-	-	-	1	-	-	1	-	-	-	-
J	BRACKET BLOWER MTG	1184053	-	-	-	-	-	-	-	1	-	-	-	-	-	-
K	HARNESS ASY 80% 1-STG	1183536	1	1	1	1	1	1	1	1	1	1	1	1	1	1
L	BLOWER DOOR ASY	1183558	1	1	1	1	-	-	-	-	-	-	-	-	-	-
L	BLOWER DOOR ASY	1183559	-	-	-	-	1	1	-	-	1	-	-	-	-	-
L	BLOWER DOOR ASY	1183560	-	-	-	-	-	-	1	1	-	1	1	1	-	-
L	BLOWER DOOR ASY	1183561	-	-	-	-	-	-	-	-	-	-	-	-	1	1
LL	SIGHTGLASS	1183478	1	1	1	1	1	1	1	1	1	1	1	1	1	1
M	BRACKET DOOR SWITCH	1183425	1	1	1	1	1	1	1	1	1	1	1	1	1	1
MM	INDUCER MOTOR SHIELD	1183446	1	1	1	1	1	1	1	1	1	1	1	1	1	1
N	OUTER DOOR ASY	1183562	1	1	1	1	-	-	-	-	-	-	-	-	-	-
N	OUTER DOOR ASY	1183563	-	-	-	-	1	1	-	1	-	-	-	-	-	-
N	OUTER DOOR ASY	1183564	-	-	-	-	-	-	1	1	-	1	1	1	-	-
N	OUTER DOOR ASY	1183565	-	-	-	-	-	-	-	-	-	-	-	-	1	1
NN	INDUCER MOTOR BRACKET	1183445	1	1	1	1	1	1	1	1	1	1	1	1	1	1
P	MANIFOLD	1176923	1	1	-	-	-	-	-	-	-	-	-	-	-	-
P	MANIFOLD	1176924	-	-	1	1	1	-	-	-	-	-	-	-	-	-
P	MANIFOLD	1176925	-	-	-	-	-	1	1	1	-	-	-	-	-	-
P	MANIFOLD	1176926	-	-	-	-	-	-	-	-	1	1	1	-	-	-
P	MANIFOLD	1176927	-	-	-	-	-	-	-	-	-	-	-	1	1	-
P	MANIFOLD	1184075	-	-	-	-	-	-	-	-	-	-	-	-	-	1
PP	INDUCER MOTOR SUPPORT	1183444	1	1	1	1	1	1	1	1	1	1	1	1	1	1
RR	SCREW	1183447	3	3	3	3	3	3	3	3	3	3	3	3	3	3
SS	GROMMET	1183453	3	3	3	3	3	3	3	3	3	3	3	3	3	3
T	SUPPORT ASY BURNER	1177028	1	1	-	-	-	-	-	-	-	-	-	-	-	-
T	SUPPORT ASY BURNER	1177029	-	-	1	1	1	-	-	-	-	-	-	-	-	-
T	SUPPORT ASY BURNER	1177030	-	-	-	-	-	1	1	1	-	-	-	-	-	-
T	SUPPORT ASY BURNER	1177031	-	-	-	-	-	-	-	-	1	1	1	-	-	-
T	SUPPORT ASY BURNER	1177032	-	-	-	-	-	-	-	-	-	-	-	1	1	-
T	SUPPORT ASY BURNER	1184076	-	-	-	-	-	-	-	-	-	-	-	-	-	1
TT	BRACKET IGNITER	1183455	1	1	1	1	1	1	1	1	1	1	1	1	1	1
VV	SCREW	1183457	3	3	3	3	3	3	4	3	4	4	3	3	3	4
X	INDUCER HOUSING ASY	1183432	-	1	-	-	-	-	-	-	-	-	-	-	-	-
X	INDUCER HOUSING ASY	1183433	-	-	-	1	-	-	-	-	-	-	-	-	-	-
X	INDUCER HOUSING ASY	1183434	-	-	-	-	-	1	-	-	-	-	-	-	-	-
X	INDUCER HOUSING ASY	1183435	-	-	-	-	-	-	-	-	-	1	1	-	-	-
X	INDUCER HOUSING ASY	1183436	-	-	-	-	-	-	-	-	-	-	-	-	1	-
X	INDUCER HOUSING ASY	1183541	1	-	-	-	-	-	-	-	-	-	-	-	-	-
X	INDUCER HOUSING ASY	1183542	-	-	-	-	1	-	-	-	-	-	-	-	-	-
X	INDUCER HOUSING ASY	1183543	-	-	-	-	-	-	1	-	-	-	-	-	-	-
X	INDUCER HOUSING ASY	1183566	-	-	1	-	-	-	-	-	-	-	-	-	-	-
X	INDUCER HOUSING ASY	1183567	-	-	-	-	-	-	-	1	-	-	-	-	-	-
X	INDUCER HOUSING ASY	1183568	-	-	-	-	-	-	-	-	-	-	-	1	-	-
X	INDUCER HOUSING ASY	1184051	-	-	-	-	-	-	-	1	-	-	-	-	-	-
X	INDUCER HOUSING ASY	1184052	-	-	-	-	-	-	-	-	-	-	-	-	-	1
Z	GASKET INDUCER MOTOR	1176913	1	1	1	1	1	1	1	1	1	1	1	1	1	1
PARTS NOT SHOWN																
)	NAHA00801LP - GAS CONV NAT>LP	1183388	1	1	1	1	1	1	1	1	1	1	1	1	1	1
)	NAHA00801NG - GAS CONV LP>NAT	1183389	1	1	1	1	1	1	1	1	1	1	1	1	1	1
)	KIT GASKET BLW DOOR LEAKAGE	1183413	1	1	1	1	1	1	1	1	1	1	1	1	1	1