

PARTS MANUAL

Gas Furnace

N9MSE

Safety Labeling and Signal Words

DANGER, WARNING, CAUTION, and NOTE

The signal words **DANGER, WARNING, CAUTION,** and **NOTE** are used to identify levels of hazard seriousness. The signal word **DANGER** is only used on product labels to signify an immediate hazard. The signal words **WARNING, CAUTION,** and **NOTE** will be used on product labels and throughout this manual and other manuals that may apply to the product.

DANGER – Immediate hazards which **will** result in severe personal injury or death.

WARNING – Hazards or unsafe practices which **could** result in severe personal injury or death.

CAUTION – Hazards or unsafe practices which **may** result in minor personal injury or product or property damage.

NOTE – Used to highlight suggestions which **will** result in enhanced installation, reliability, or operation.

Signal Words in Manuals

The signal word **WARNING** is used throughout this manual in the following manner:



The signal word **CAUTION** is used throughout this manual in the following manner:



Signal Words on Product Labeling

Signal words are used in combination with colors and/or pictures on product labels.

TABLE OF CONTENTS

Model Number Identification	2
Parts Diagram	3
Parts	9

MODELS

- N9MSE0401410A1
- N9MSE0601410A1
- N9MSE0601714A1
- N9MSE0801716A1
- N9MSE0802120A1
- N9MSE1002114A1
- N9MSE1002120A1
- N9MSE1202420A1
- N9MSE1402420A1

WARNING

ELECTRICAL SHOCK HAZARD

Failure to turn off electric power could result in personal injury or death.

Before installing or servicing system, turn off main power to the system. There may be more than one disconnect switch, including accessory heater(s).

MODEL NUMBER IDENTIFICATION GUIDE

DIGIT POSITION	1	2	3	4	5	6,7,8	9,10	11,12	13	14
(F/G) = Mainline N = Entry	N	9	M	S	E	060	17	14	A	1
9 = 90+% AFUE	EFFICIENCY									
M = Multiposition			POSITION							
A = Modulating ECM Variable Speed Blower V = ECM Variable Speed X = ECM Blower S = Single-stage T = Two-stage					TYPE					
C = Communicating E = Extra AFUE Efficiency T = Two-Stage					FEATURE					
040 = 40,000 BTU/hr 060 = 60,000 BTU/hr 080 = 80,000 BTU/hr 100 = 100,000 BTU/hr 120 = 120,000 BTU/hr					HEAT INPUT					
14 = 14-3/16" 17 = 17-1/2" 21 = 21" 24 = 24-1/2"							CABINET WIDTH			
08 = 800 CFM 12 = 1200 CFM 14 = 1400 CFM 16 = 1600 CFM 20 = 2000 CFM 22 = 2200 CFM							NOMINAL MAXIMUM COOLING AIRFLOW @ .5 IN. W.C.			
SALES (MAJOR) REVISION DIGIT										
ENGINEERING (MINOR) REVISION DIGIT										

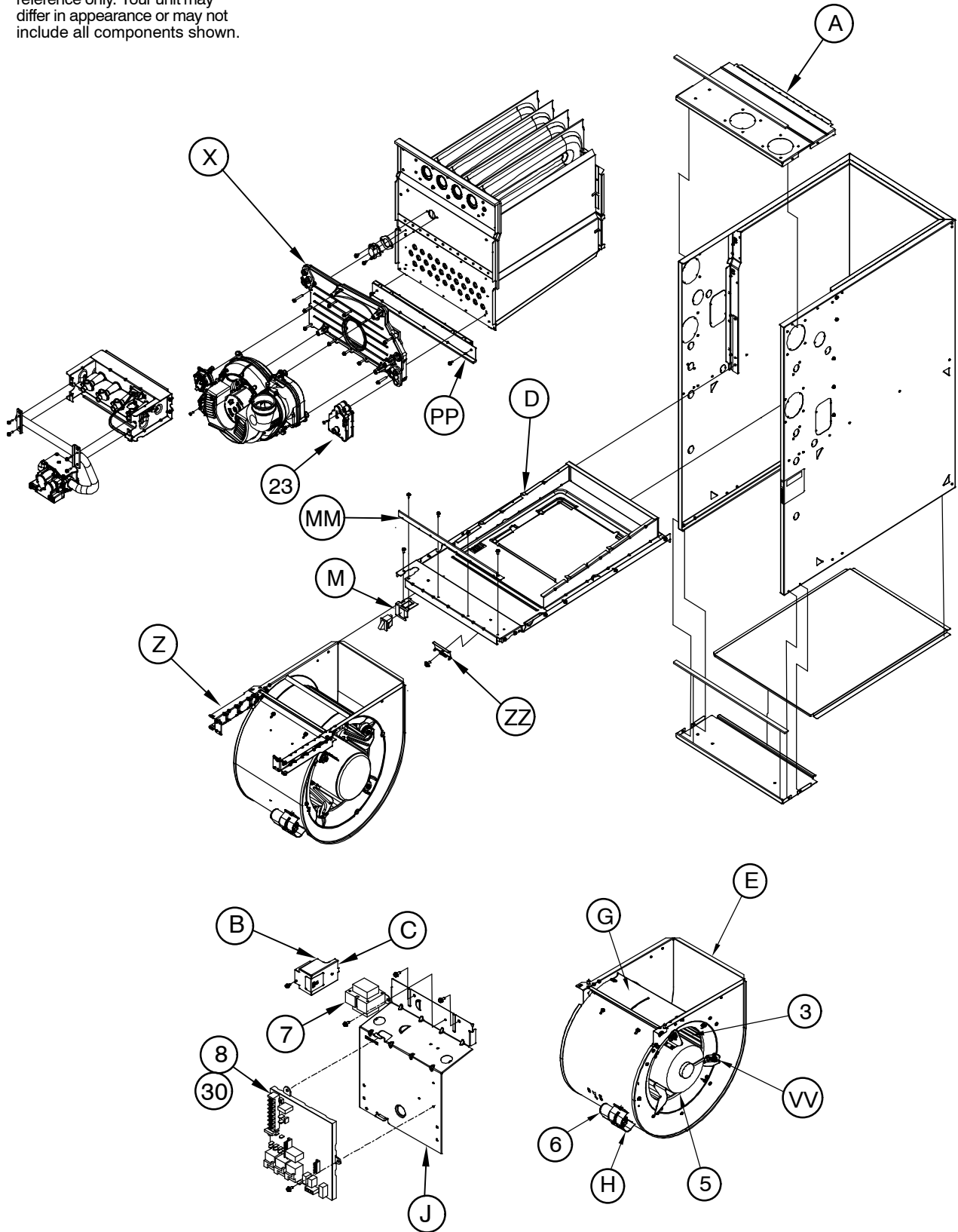
ECM—Electronically Commutated Motor

ACCESSORIES PART NUMBER IDENTIFICATION GUIDE

DIGIT POSITION	1	2	3	4	5, 6, 7	8, 9	10, 11
N = Non-Branded	N	A	H	A	001	01	DH
A = Accessory	BRANDING		PRODUCT GROUP				
H = Heating			KIT USAGE				
A = Original B = 2nd Generation					MAJOR SERIES		
Product Identifier Number							
Package Quantity							
Type of Kit (Example: DH = Draft Hood - Chimney Adapter)							

PARTS DIAGRAM

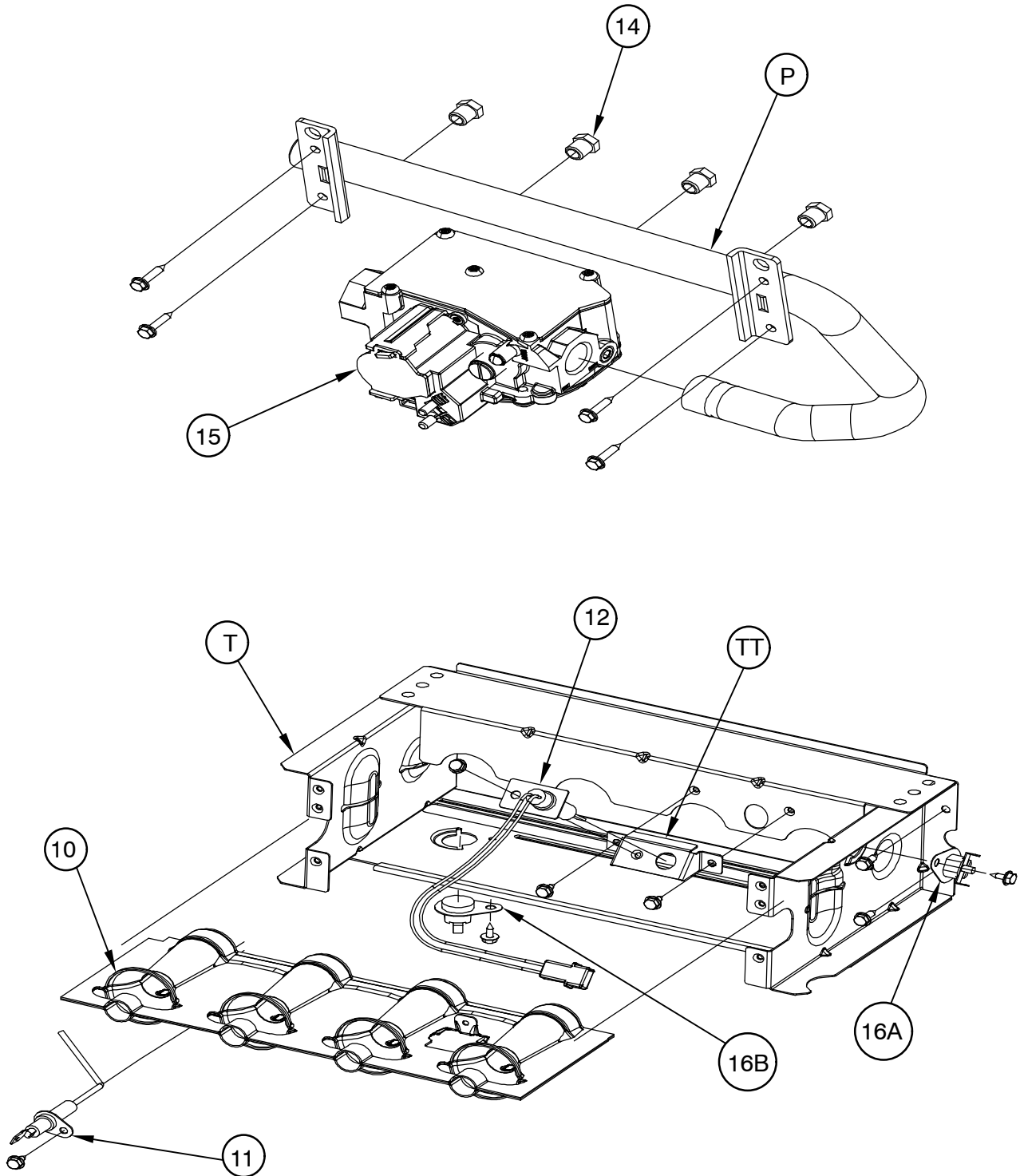
NOTE: This illustration is for reference only. Your unit may differ in appearance or may not include all components shown.



N9MSE-1

PARTS DIAGRAM

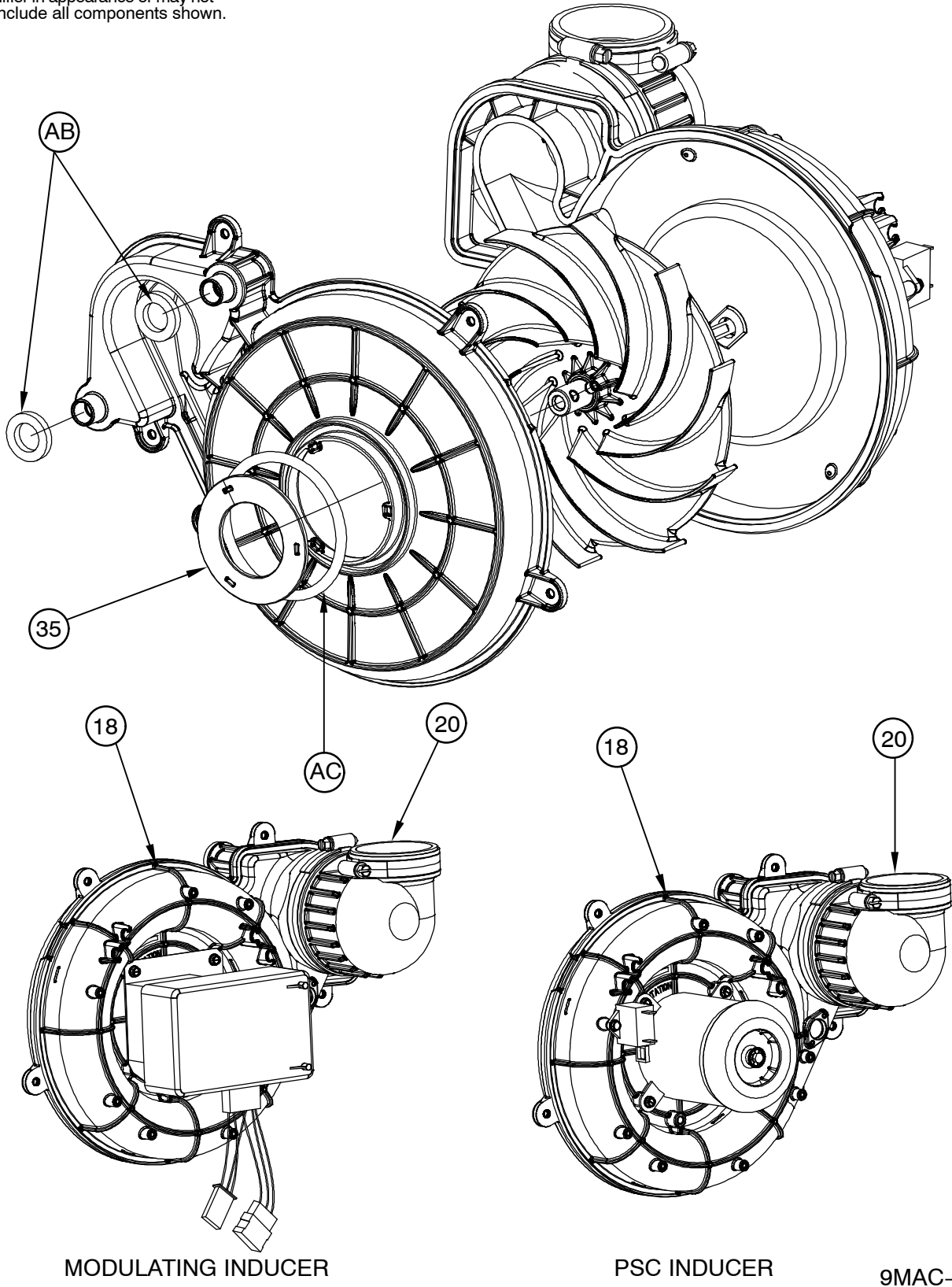
NOTE: This illustration is for reference only. Your unit may differ in appearance or may not include all components shown.



9MAC-2

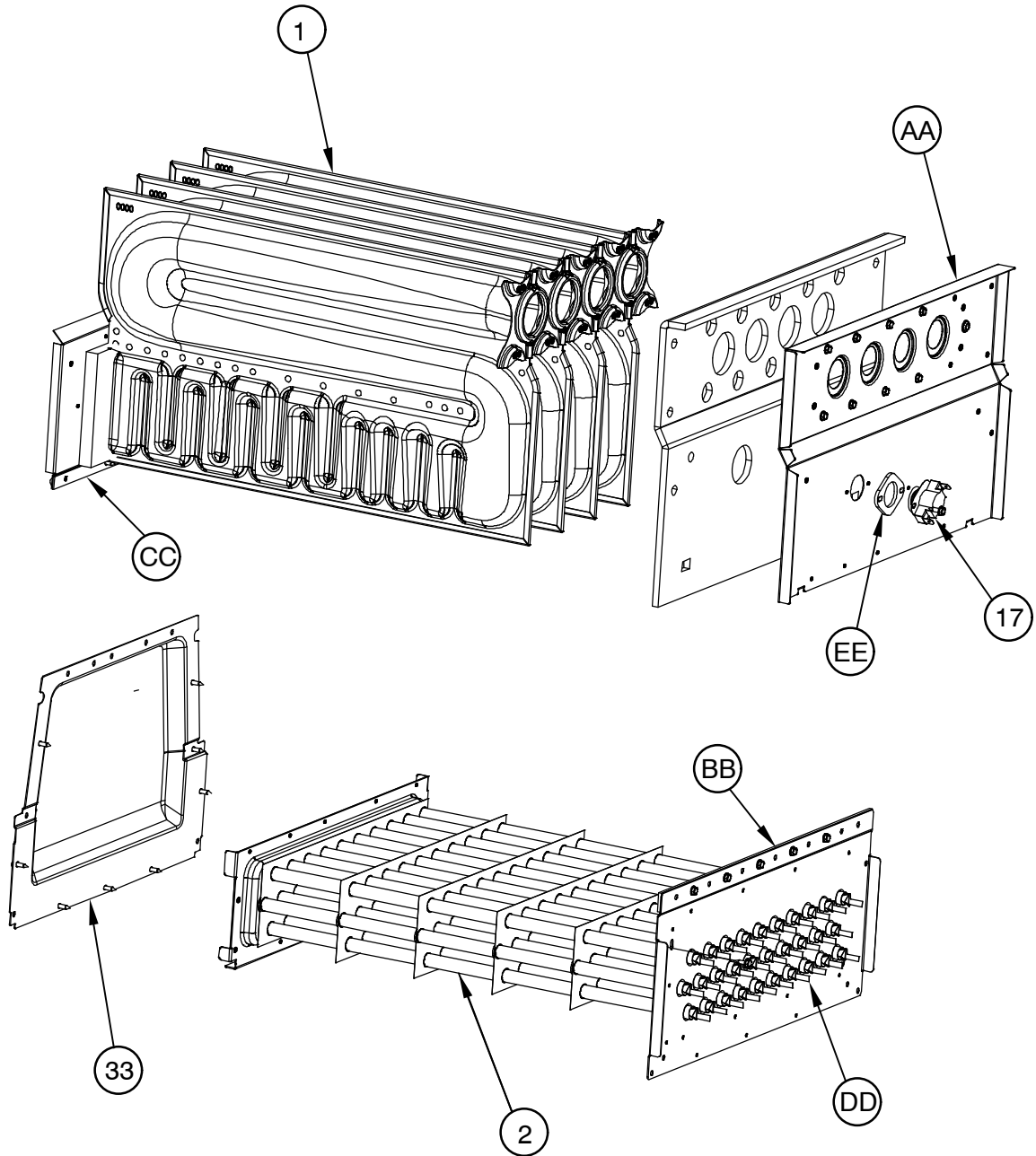
PARTS DIAGRAM

NOTE: This illustration is for reference only. Your unit may differ in appearance or may not include all components shown.



PARTS DIAGRAM

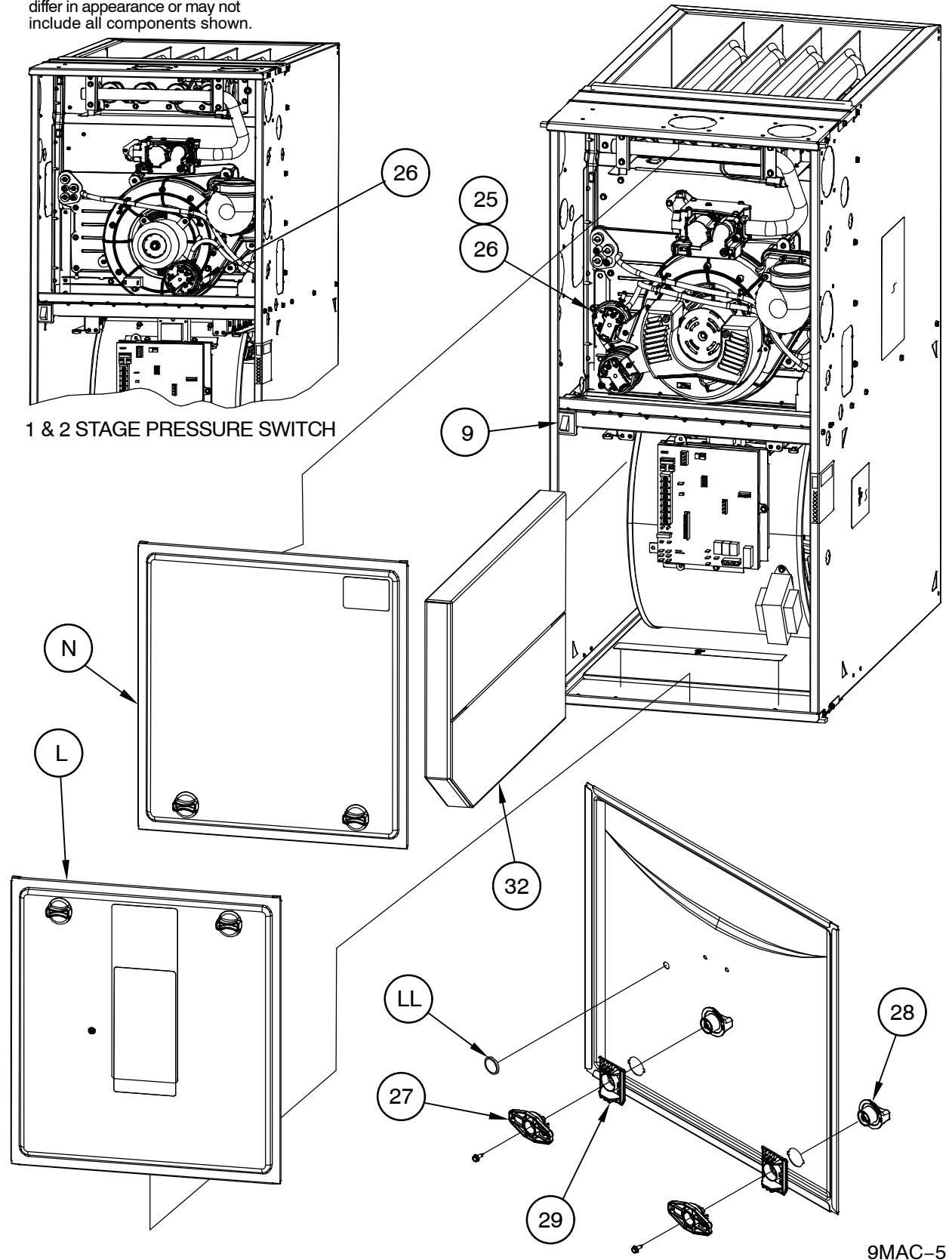
NOTE: This illustration is for reference only. Your unit may differ in appearance or may not include all components shown.



9MAC-4

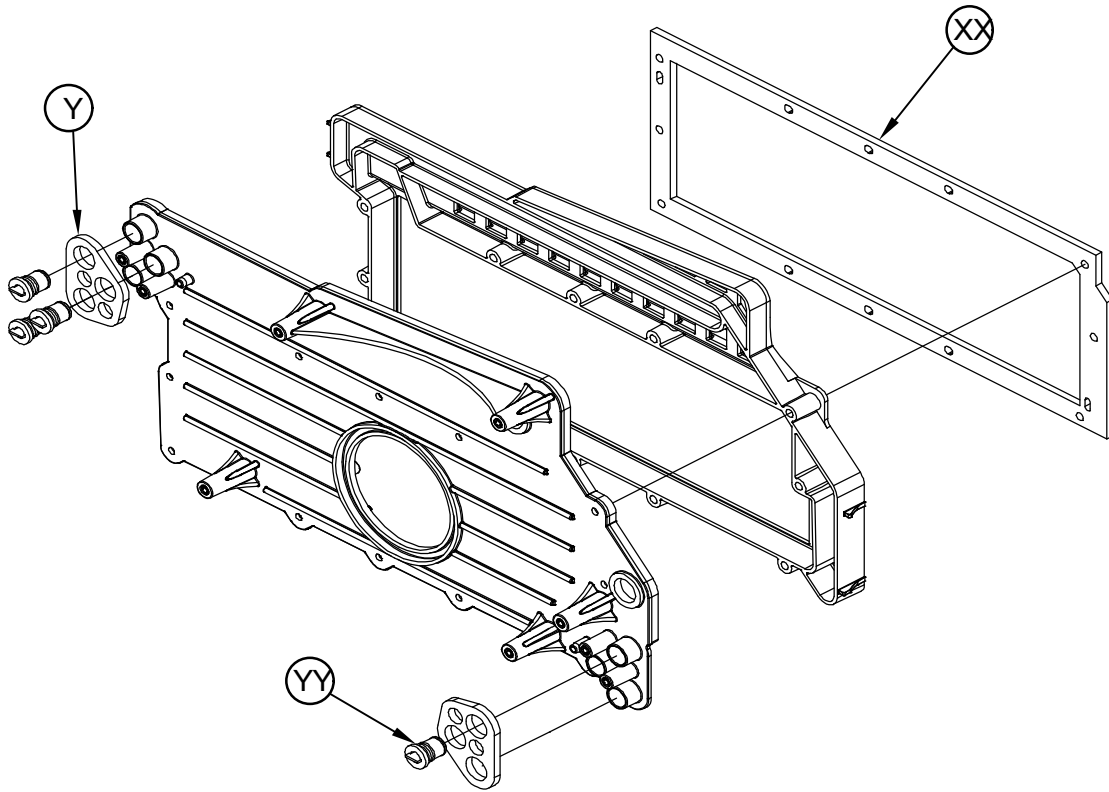
PARTS DIAGRAM

NOTE: This illustration is for reference only. Your unit may differ in appearance or may not include all components shown.



PARTS DIAGRAM

NOTE: This illustration is for reference only. Your unit may differ in appearance or may not include all components shown.



9MAC-6

PARTS LIST

KEY NO.	DESCRIPTION	FAST PARTS NO.	N9MSE									
			0401410A1	0601410A1	0601714A1	0801716A1	0802120A1	1002114A1	1002120A1	1202420A1	1402420A1	
01	HT EX PRIM 2 CELL ALUM	1185579	1	-	-	-	-	-	-	-	-	-
01	HT EX PRIM 3 CELL ALUM	1184816	-	1	-	-	-	-	-	-	-	-
01	HT EX PRIM 3 CELL ALUM	1185580	-	-	1	-	-	-	-	-	-	-
01	HT EX PRIM 4 CELL ALUM	1185581	-	-	-	1	1	-	-	-	-	-
01	HT EX PRIM 5 CELL ALUM	1185582	-	-	-	-	-	1	1	-	-	-
01	HT EX PRIM 6 CELL ALUM	1185583	-	-	-	-	-	-	-	1	-	-
01	HT EX PRIM 7 CELL ALUM	1184817	-	-	-	-	-	-	-	-	-	1
02	HT EX SEC	1185569	1	-	-	-	-	-	-	-	-	-
02	HT EX SEC	1184818	-	1	-	-	-	-	-	-	-	-
02	HT EX SEC	1184501	-	-	1	1	-	-	-	-	-	-
02	HT EX SEC	1184819	-	-	-	-	1	-	-	-	-	-
02	HT EX SEC	1184502	-	-	-	-	-	1	1	-	-	-
02	HT EX SEC	1184503	-	-	-	-	-	-	-	1	-	-
02	HT EX SEC	1184820	-	-	-	-	-	-	-	-	-	1
03	WHEEL BLOWER	1185573	1	1	-	-	-	-	-	-	-	-
03	WHEEL BLOWER 11 X 8	1177180	-	-	1	1	-	-	-	-	-	-
03	WHEEL DD11x10x1/2 CW CV	1172129	-	-	-	-	1	1	1	-	-	-
03	WHEEL BLOWER 11 X 11	1176937	-	-	-	-	-	-	-	1	1	-
05	MTR BLR	1184660	1	1	-	-	-	-	-	-	-	-
05	MTR BLR	1184661	-	-	1	-	-	-	-	-	-	-
05	MTR BLR	1184663	-	-	-	1	-	-	-	-	-	-
05	MTR BLR	1184665	-	-	-	-	1	-	1	-	-	-
05	MTR BLR	1184664	-	-	-	-	-	1	-	-	-	-
05	MTR BLR	1184662	-	-	-	-	-	-	-	1	1	-
06	CAP RN OV 370V 15 X	1171730	1	1	1	-	-	1	-	-	-	-
06	CAP RN OV 370V 20 MFD	1176131	-	-	-	1	-	-	-	-	-	-
06	CAPACITOR	1184778	-	-	-	-	1	-	1	1	1	-
07	TRANSFORMER ASY	1177217	1	1	1	1	1	1	1	1	1	1
08	BOARD CONTROL	1184594	1	1	1	1	1	1	1	1	1	1
09	SWITCH DOOR S	1171981	1	1	1	1	1	1	1	1	1	1
10	BURNER ASY	1185566	1	-	-	-	-	-	-	-	-	-
10	BURNER ASY	1184318	-	1	1	-	-	-	-	-	-	-
10	BURNER ASY	1184319	-	-	-	1	1	-	-	-	-	-
10	BURNER ASY	1184320	-	-	-	-	-	1	1	-	-	-
10	BURNER ASY	1184821	-	-	-	-	-	-	-	1	1	-
11	SENSOR FLAME	1184322	1	1	1	1	1	1	1	1	1	1
12	IGNITOR	1176919	1	1	1	1	1	1	1	1	1	1
14	ORIFICE	1185574	2	3	3	4	4	5	5	6	7	-
15	VALVE GAS	1184393	1	1	1	1	1	1	1	1	1	1
16A	SWITCH LIMIT 350 F	1177033	1	1	1	2	2	2	2	2	2	-
16B	TEMP SWITCH ROLL-OUT	1184323	1	1	1	-	-	-	-	-	-	-
17	SWITCH MAIN LIMIT	1184423	1	1	-	-	-	-	-	-	-	-
17	SWITCH MAIN LIMIT	1184421	-	-	1	-	-	1	1	-	-	-
17	SWITCH MAIN LIMIT	1184422	-	-	-	1	-	-	-	-	-	-
17	SWITCH ASY MAIN LIMIT	1184879	-	-	-	-	1	-	-	-	-	-
17	SWITCH MAIN LIMIT	1184424	-	-	-	-	-	-	-	1	1	-
18	INDUCER ASY	1185586	1	-	-	-	-	-	-	-	-	-
18	INDUCER ASY	1185587	-	1	1	1	1	-	-	-	-	-
18	INDUCER ASY	1185588	-	-	-	-	-	1	1	1	-	-
18	INDUCER ASY	1184822	-	-	-	-	-	-	-	-	-	1
20	VENT ELBOW	1184313	1	1	1	1	1	1	1	1	1	1
23	TRAP ASY CONDENSING	1184288	1	1	1	1	1	1	1	1	1	1
26	SWITCH PRESSURE	1184413	1	1	1	-	-	-	-	-	-	-
26	SWITCH PRESSURE	1184414	-	-	-	1	-	-	-	-	-	-
26	SWITCH PRESSURE	1184415	-	-	-	-	1	1	1	1	1	-
27	LATCH DOOR	1184521	4	4	4	4	4	4	4	4	4	4

- continued on next page -

PARTS LIST (continued)

KEY NO.	DESCRIPTION	FAST PARTS NO.									
			N9MSE0401410A1	N9MSE0601410A1	N9MSE0601714A1	N9MSE0801716A1	N9MSE0802120A1	N9MSE1002114A1	N9MSE1002120A1	N9MSE1202420A1	N9MSE1402420A1
28	KNOB DOOR	1184520	4	4	4	4	4	4	4	4	4
29	PLATE LATCH	1184530	4	4	4	4	4	4	4	4	4
33	BOX COUPLING	1185562	1	1	-	-	-	-	-	-	-
33	BOX COUPLING	1184301	-	-	1	1	1	-	-	-	-
33	BOX COUPLING	1184302	-	-	-	-	-	1	1	-	-
33	BOX COUPLING	1184303	-	-	-	-	-	-	-	1	1
35	CHOKE PLATE INDUCER INLET	1185619	-	1	1	-	-	-	-	-	-
35	CHOKE PLATE INDUCER INLET	1185620	1	-	-	-	-	1	1	-	-
A	PLATE ASY TOP	1185575	1	1	-	-	-	-	-	-	-
A	PLATE ASY TOP	1184270	-	-	1	1	-	-	-	-	-
A	PLATE ASY TOP	1184272	-	-	-	-	1	1	1	-	-
A	PLATE ASY TOP	1184273	-	-	-	-	-	-	-	1	1
AA	PANEL CELL	1185576	1	-	-	-	-	-	-	-	-
AA	PANEL CELL	1184823	-	1	-	-	-	-	-	-	-
AA	PANEL CELL	1184522	-	-	1	-	-	-	-	-	-
AA	PANEL CELL	1184523	-	-	-	1	-	-	-	-	-
AA	PANEL CELL	1184824	-	-	-	-	1	-	-	-	-
AA	PANEL CELL	1184524	-	-	-	-	-	1	1	-	-
AA	PANEL CELL	1184525	-	-	-	-	-	-	-	1	-
AA	PANEL CELL	1184825	-	-	-	-	-	-	-	-	1
AB	GASKET DRAIN HOUSING	1185622	2	2	2	2	2	2	2	2	2
AC	GASKET INDUCER INLET	1185621	1	1	1	1	1	1	1	1	1
B	J BOX AUX	1184529	1	1	1	1	1	1	1	1	1
BB	GASKET FRONT CELL PANEL	1185564	1	1	-	-	-	-	-	-	-
BB	GASKET FRONT CELL PANEL	1184309	-	-	1	1	-	-	-	-	-
BB	GASKET FRONT CELL PANEL	1184310	-	-	-	-	1	1	1	-	-
BB	GASKET FRONT CELL PANEL	1184311	-	-	-	-	-	-	-	1	1
C	COVER BOX AUX J	1183422	1	1	1	1	1	1	1	1	1
CC	GASKET REAR CELL PANEL	1185563	1	1	-	-	-	-	-	-	-
CC	GASKET REAR CELL PANEL	1184304	-	-	1	1	1	-	-	-	-
CC	GASKET REAR CELL PANEL	1184305	-	-	-	-	-	1	1	-	-
CC	GASKET REAR CELL PANEL	1184306	-	-	-	-	-	-	-	1	1
D	SHELF ASY BLOWER	1185577	1	1	-	-	-	-	-	-	-
D	SHELF ASY BLOWER	1184278	-	-	1	1	-	-	-	-	-
D	SHELF ASY BLOWER	1184826	-	-	-	-	1	-	-	-	-
D	SHELF ASY BLOWER	1184279	-	-	-	-	-	1	1	-	-
D	SHELF ASY BLOWER	1184280	-	-	-	-	-	-	-	1	1
DD	TURBULATOR	1184308	21	21	30	30	30	36	36	45	45
E	HOUSING ASY BLOWER	1185572	1	1	-	-	-	-	-	-	-
E	HOUSING ASY BLOWER	1183532	-	-	1	1	-	-	-	-	-
E	HOUSING ASY BLOWER	1183495	-	-	-	-	1	1	1	-	-
E	HOUSING ASY BLOWER	1183464	-	-	-	-	-	-	-	1	1
EE	GASKET MAIN LIMIT	1184307	1	1	1	1	1	1	1	1	1
G	CUTOFF BLOWER	1185571	1	1	-	-	-	-	-	-	-
G	CUTOFF BLOWER	1183535	-	-	1	1	-	-	-	-	-
G	CUTOFF BLOWER	1183500	-	-	-	-	1	1	1	-	-
G	CUTOFF BLOWER	1176941	-	-	-	-	-	-	-	1	1
H	STRAP CAPACITOR OVAL S	1170643	1	1	1	-	-	1	-	-	-
J	BRACKET CONTROL MTG	1183472	1	1	1	1	1	1	1	1	1
L	DOOR ASY BLOWER	1184827	1	1	-	-	-	-	-	-	-
L	DOOR ASY BLOWER	1184828	-	-	1	1	-	-	-	-	-
L	DOOR ASY BLOWER	1184829	-	-	-	-	1	1	1	-	-
L	DOOR ASY BLOWER	1184830	-	-	-	-	-	-	-	1	1
LL	INDICATOR	1184526	1	1	1	1	1	1	1	1	1
M	SWITCH BRACKET DOOR	1184289	1	1	1	1	1	1	1	1	1
MM	BRACKET DOOR	1185560	1	1	-	-	-	-	-	-	-

- continued on next page -

PARTS LIST (continued)

KEY NO.	DESCRIPTION	FAST PARTS NO.	N9MSE0401410A1	N9MSE0601410A1	N9MSE0601714A1	N9MSE0801716A1	N9MSE0802120A1	N9MSE1002114A1	N9MSE1002120A1	N9MSE1202420A1	N9MSE1402420A1
MM	BRACKET DOOR	1184290	-	-	1	1	-	-	-	-	-
MM	BRACKET DOOR	1184291	-	-	-	-	1	1	1	-	-
MM	BRACKET DOOR	1184292	-	-	-	-	-	-	-	1	1
N	DOOR ASY CONTROL	1184831	1	1	-	-	-	-	-	-	-
N	DOOR ASY CONTROL	1184832	-	-	1	1	-	-	-	-	-
N	DOOR ASY CONTROL	1184833	-	-	-	-	1	1	1	-	-
N	DOOR ASY CONTROL	1184834	-	-	-	-	-	-	-	1	1
O	STRAP CAPACITOR OVAL S	1170643	1	1	1	-	-	1	-	-	-
P	MANIFOLD	1184390	1	-	-	-	-	-	-	-	-
P	MANIFOLD	1184329	-	1	1	-	-	-	-	-	-
P	MANIFOLD	1184330	-	-	-	1	1	-	-	-	-
P	MANIFOLD	1184331	-	-	-	-	-	1	1	-	-
P	MANIFOLD	1184332	-	-	-	-	-	-	-	1	-
P	MANIFOLD	1184793	-	-	-	-	-	-	-	-	1
PP	PANEL ASY FILLER	1185570	1	1	-	-	-	-	-	-	-
PP	PANEL ASY FILLER	1184547	-	-	1	1	-	-	-	-	-
PP	PANEL ASY FILLER	1184548	-	-	-	-	1	1	1	-	-
PP	PANEL ASY FILLER	1184549	-	-	-	-	-	-	-	1	1
T	SUPPORT BURNER ASY	1185565	1	-	-	-	-	-	-	-	-
T	SUPPORT BURNER ASY	1184314	-	1	1	-	-	-	-	-	-
T	SUPPORT BURNER ASY	1184315	-	-	-	1	1	-	-	-	-
T	SUPPORT BURNER ASY	1184316	-	-	-	-	-	1	1	-	-
T	SUPPORT BURNER ASY	1184317	-	-	-	-	-	-	-	1	-
T	SUPPORT ASY BURNER	1184835	-	-	-	-	-	-	-	-	1
TT	BRACKET IGNITOR	1184324	1	1	1	1	1	1	1	1	1
VV	SCREW THD FORMING 1/4-20X1-1/4	1178570	4	4	4	4	4	4	4	4	4
X	COLLECTOR BOX ASY	1185561	1	1	-	-	-	-	-	-	-
X	COLLECTOR BOX ASY	1184293	-	-	1	1	-	-	-	-	-
X	COLLECTOR BOX ASY	1184294	-	-	-	-	1	1	1	-	-
X	COLLECTOR BOX ASY	1184295	-	-	-	-	-	-	-	1	1
XX	GASKET COLLECTOR BOX	1185567	1	1	-	-	-	-	-	-	-
XX	GASKET COLLECTOR BOX	1184334	-	-	1	1	-	-	-	-	-
XX	GASKET COLLECTOR BOX	1184335	-	-	-	-	1	1	1	-	-
XX	GASKET COLLECTOR BOX	1184336	-	-	-	-	-	-	-	1	1
Y	GASKET COLLECTOR BOX	1184337	2	2	2	2	2	2	2	2	2
YY	DRAIN PLUG COLLECTOR BOX	1184338	4	4	4	4	4	4	4	4	4
Z	BRACKET BLOWER MTG	1184326	2	2	2	2	2	2	2	2	2
ZZ	BRACKET HANGER	1184551	2	2	2	2	2	2	2	2	2
PARTS NOT SHOWN											
)	CHOKE PLATE OUTLET	1185623	1	-	-	-	-	-	-	-	-
)	HARNESS ASY MAIN	1184506	1	1	1	1	1	1	1	1	1
)	KIT RUBBER PARTS	1184481	1	1	1	1	1	1	1	1	1
)	BAG LOOSE PARTS	1184517	1	1	1	1	1	1	1	1	1
)	KIT MOTOR MOUNT 4 ARM	1176983	1	1	1	1	1	1	1	1	1
)	NAHA00901LP - KIT CONVERSION NAT TO LP	1185603	1	1	1	1	1	1	1	1	1
)	NAHA00901NG - KIT CONVERSION LP TO NAT	1185604	1	1	1	1	1	1	1	1	1