



**HIGH EFFICIENCY 15 SEER HEAT PUMP  
ENVIRONMENTALLY SOUND R-410A REFRIGERANT  
1-1/2 THRU 5 TONS SPLIT SYSTEM  
208 / 230 Volt, 1-phase, 60 Hz  
REFRIGERATION CIRCUIT**

- Copeland Scroll™ compressors on all models
- Suction line accumulator factory installed
- Bi-flow filter-drier included for field installation
- Integrated solid state control with Time-Temperature Defrost
- High and Low pressure switches
- Copper tube / aluminum fin coil

**PERFORMANCE**

- 2-speed Fan Motors factory wired on all models
- Compressor Sound Jacket standard

**EASY TO INSTALL AND SERVICE**

- Comfort Alert™ Diagnostics device on all models
- Easy Access service valves on all models
- Innovative control box design
- External high and low refrigerant service ports
- Fan motor in-line disconnect plug
- Only two screws to access control panel
- Factory charged with R-410A refrigerant

**BUILT TO LAST**

- High gloss, baked-on powder coat finish over galvanized steel
- Post-painted (black) coil fins
- Coated, weather-resistant cabinet screws
- Coated inlet grille with 3/8" (10mm) spacing for extra protection (hail guard)
- Corner Posts for extra strength and style

**WARRANTY\***

- 5 year No Hassle Replacement™ limited warranty
- 5 year compressor limited warranty
- 5 year parts limited warranty (including compressor and coil)
  - With timely registration, an additional 5 year parts limited warranty (including compressor and coil)

\* Applies to original purchaser/homeowner, some limitations may apply. See Warranty certificate for complete details.



This product has been designed and manufactured to meet ENERGY STAR criteria for energy efficiency when matched with appropriate coil components. However, proper refrigerant charge and proper air flow are critical to achieve rated capacity and efficiency. Installation of this product should follow the manufacturer's refrigerant charging and air flow instructions. Failure to confirm proper charge and airflow may reduce energy efficiency and shorten equipment life.

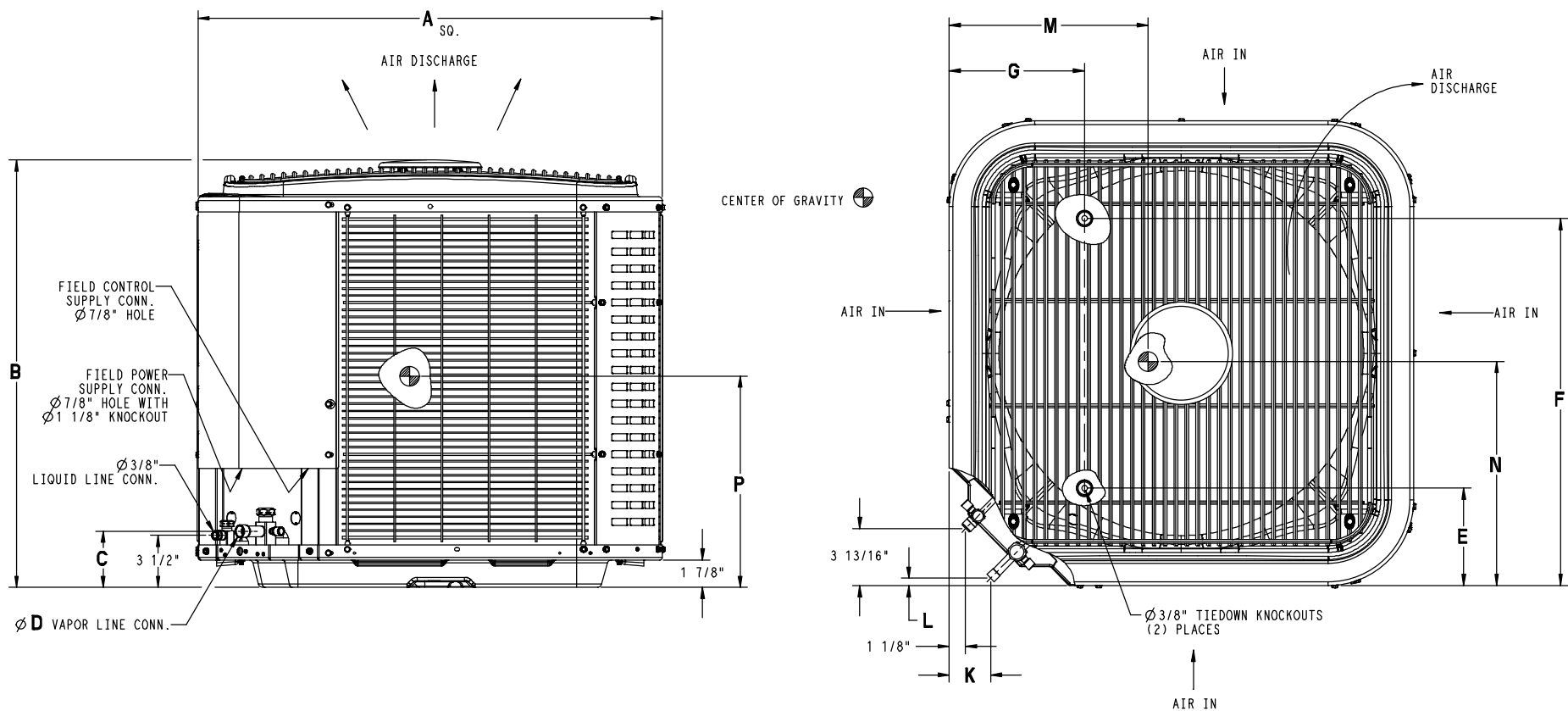


Use of the AHRI Certified TM Mark indicates a manufacturer's participation in the program. For verification of certification for individual products, go to [www.ahrirectory.org](http://www.ahrirectory.org).

Model Number	Size (tons)	Nominal Btu/hr	Min. Circuit Ampacity	Max. Fuse or Breaker	Operating Dimensions height x width x depth in. (mm)	Ship / Operating Weight lbs. (kg)
CXH518GKA	1½	18,000	11.8	20	28-11/16 x 31-3/16 x 31-3/16 (729 x 793 x 793)	207 / 196 (94 / 77)
CXH524GKA	2	24,000	16.5	25	33-1/2 x 35 x 35 (850 x 889 x 889)	233 / 200 (106 / 91)
CXH530GKA	2½	30,000	18.1	30	33-1/2 x 35 x 35 (850 x 889 x 889)	242 / 196 (110 / 89)
CXH536GKA	3	36,000	22.1	35	36-7/8 x 35 x 35 (937 x 889 x 889)	257 / 215 (117 / 98)
CXH537GKA	3	36,000	22.0	35	36-7/8 x 35 x 35 (937 x 889 x 889)	297 / 255 (135 / 116)
CXH542GKA	3½	42,000	27.6	40	30-1/16 x 35 x 35 (764 x 889 x 889)	290 / 245 (132 / 111)
CXH548GKA	4	48,000	28.5	40	30-1/16 x 35 x 35 (764 x 889 x 889)	303 / 260 (137 / 118)
CXH560GKA	5	60,000	34.2	50	40-1/4 x 35 x 35 (1023 x 889 x 889)	345 / 294 (157 / 133)

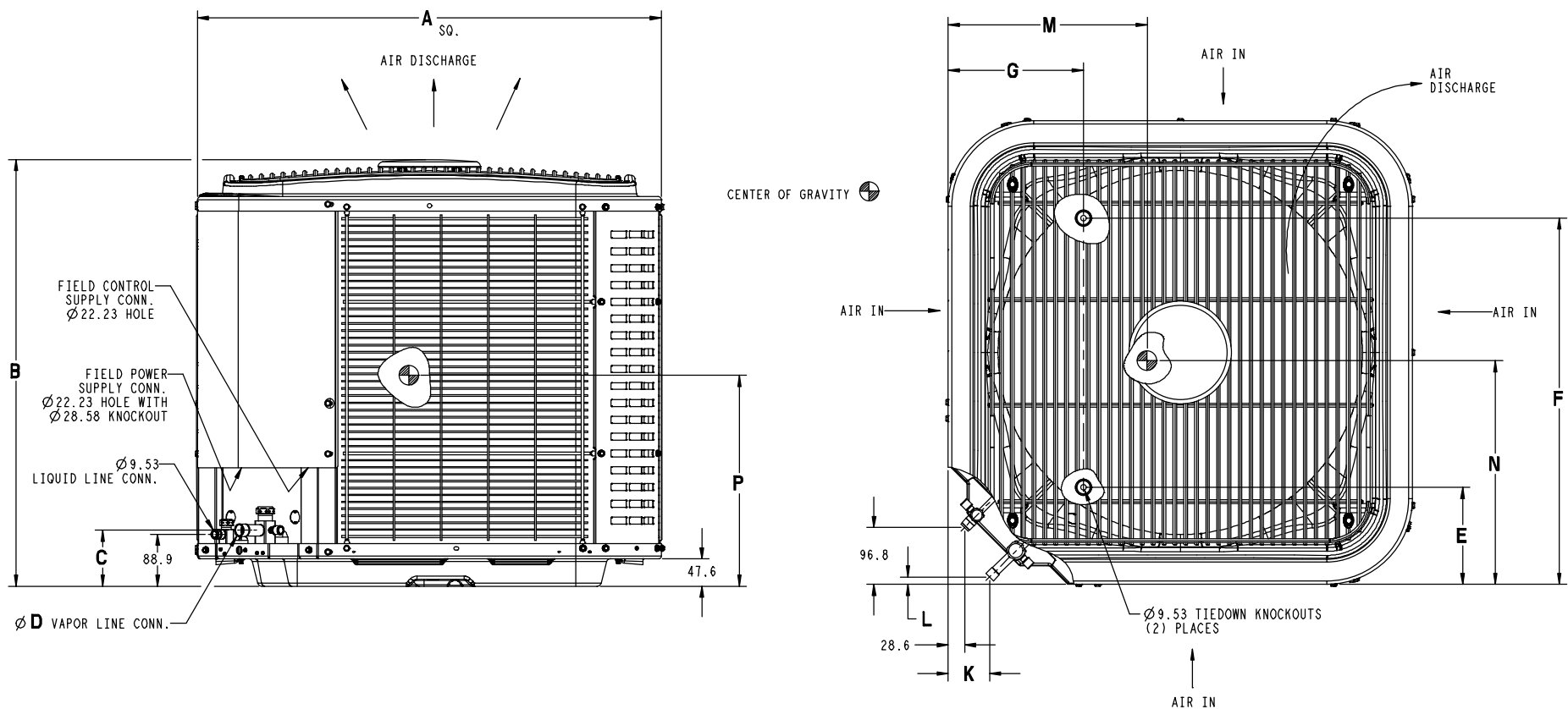
<b>OUTDOOR UNIT MODEL NUMBER IDENTIFICATION GUIDE (single phase)</b>											
Digit Position:	1	2	3	4	5, 6	7	8	9	10	11	12
Example Part Number:	<b>C</b>	<b>X</b>	<b>H</b>	<b>5</b>	<b>18</b>	<b>G</b>	<b>K</b>	<b>A</b>	<b>1</b>	<b>0</b>	<b>0</b>
C = Comfortmaker Mainline											
N = Comfortmaker Entry <b>BRANDING</b>											
X = R-410A <b>REFRIGERANT</b>											
A = Air Conditioner											
H = Heat Pump <b>TYPE</b>											
3 = 13 SEER											
4 = 14 SEER											
5 = 15 SEER											
6 = 16 SEER											
7 = 17 SEER											
8 = 18 SEER <b>NOMINAL EFFICIENCY</b>											
18 = 18,000 BTUH = 1-1/2 tons											
24 = 24,000 BTUH = 2 tons											
30 = 30,000 BTUH = 2-1/2 tons											
36 = 36,000 BTUH = 3 tons											
37 = 36,000 BTUH = 3 tons											
42 = 42,000 BTUH = 3-1/2 tons											
48 = 48,000 BTUH = 4 tons											
60 = 60,000 BTUH = 5 tons <b>NOMINAL CAPACITY</b>											
A = Standard Grille											
G = Coil Guard Grille											
C = Coastal <b>FEATURES</b>											
K = 208/230-1-60 <b>VOLTAGE</b>											
Sales Code											
Engineering Revision											
Extra Digit											
Extra Digit											

<b>ACCESSORIES PART NUMBER IDENTIFICATION GUIDE</b>									
Digit Position:	1	2	3	4	5	6, 7	8, 9	10, 11	
Example Part Number:	<b>N</b>	<b>A</b>	<b>S</b>	<b>A</b>	<b>0</b>	<b>01</b>	<b>01</b>	<b>CH</b>	
N = Non-Branded <b>BRANDING</b>									
A = Accessory <b>PRODUCT GROUP</b>									
S = Split System (AC & HP) <b>KIT USAGE</b>									
A = Original									
B = 2nd Generation <b>MAJOR SERIES</b>									
0 = Generic or Not Applicable									
2 = R-22									
4 = R-410A <b>REFRIGERANT</b>									
Product Identifier Number									
Package Quantity									
Type of Kit (Example: CH = Crankcase Heater)									



Dimensions Inches (English)

Model	A	B	C	D	E	F	G	K	L	M	N	P	Minimum Mounting Pad Size	Crated Dimensions h x w x d
CXH518GKA	31-3/16	28-11/16	3-3/4	5/8	6-9/16	24-11/16	9-1/8	2-13/16	1/2	16	15	14	31-1/2x31-1/2	35-15/16x35-1/2 x 32-5/16
CXH524GKA	35	33-1/2	3-3/4	5/8	6-9/16	28-7/16	9-1/8	2-13/16	1/2	15-3/4	16-3/4	16-1/2	35 x 35	39-3/8 x 39-1/4 x 36-1/8
CXH530GKA	35	33-1/2	3-3/4	3/4	6-9/16	28-7/16	9-1/8	2-13/16	1/2	16-1/4	16	15-1/2	35 x 35	39-3/8x 39-1/4 x 36-1/8
CXH536GKA	35	36-7/8	3-3/4	3/4	6-9/16	28-7/16	9-1/8	2-13/16	1/2	15-3/4	16-3/4	17	35 x 35	42-3/4 x 39-1/4 x 36-1/8
CXH537GKA	35	36-7/8	3-3/4	3/4	6-9/16	28-7/16	9-1/8	2-13/16	1/2	16	16-1/2	17	35 x 35	42-3/4 x 39-1/4 x 36-1/8
CXH542GKA	35	30-1/16	3-7/8	7/8	6-9/16	28-7/16	9-1/8	2-15/16	5/8	17	16-3/4	14-3/4	35 x 35	35-15/16 x 39-1/4 x 36-1/8
CXH548GKA	35	30-1/16	3-7/8	7/8	6-9/16	28-7/16	9-1/8	2-15/16	5/8	16-3/4	16-1/4	14	35 x 35	35-15/16 x 39-1/4 x 36-1/8
CXH560GKA	35	40-1/4	3-7/8	7/8	6-9/16	28-7/16	9-1/8	2-15/16	5/8	17-1/4	16-1/4	18-1/4	35 x 35	46-1/8 x 39-1/4 x 36-1/8



Dimensions mm (SI Metric)

Model	Dimensions mm (SI Metric)												Minimum Mounting Pad Size	Crated Dimensions h x w x d
	A	B	C	D	E	F	G	K	L	M	N	P		
CXH518GKA	793	729	96	16	167	627	232	71	13	406	381	356	800 x 800	913 x 901 x 821
CXH524GKA	889	850	96	16	167	722	232	71	13	400	426	419	889 x 889	1000 x 998 x 918
CXH530GKA	889	850	96	19	167	722	232	71	13	413	406	394	889 x 889	1000 x 998 x 918
CXH536GKA	889	937	96	19	167	722	232	71	13	400	426	432	889 x 889	1086 x 998 x 918
CXH537GKA	889	937	96	19	167	722	232	71	13	406	419	432	889 x 889	1086 x 998 x 918
CXH542GKA	889	764	98	22	167	722	232	75	16	432	426	375	889 x 889	913 x 998 x 918
CXH548GKA	889	764	98	22	167	722	232	75	16	426	413	356	889 x 889	913 x 998 x 918
CXH560GKA	889	1023	98	22	167	722	232	75	16	438	413	464	889 x 889	1172 x 998 x 918

PHYSICAL DATA								
Model Size	18	24	30	36	37	42	48	60
Nominal Cooling Capacity (BTU/hr)	18,000	24,000	30,000	36,000	36,000	42,000	48,000	60,000
Nominal SEER	15.0	15.0	15.0	15.0	15.0	15.0	15.0	15.0
Sound Rating**								
High Speed Fan (dBA)	71	70	70	71	73	75	73	71
Low Speed Fan (dBA)	70	69	70	71	72	74	73	71
PSC Fan Motor HP	1/12	1/12	1/12	1/5	1/8	1/5	1/4	1/4
Fan RPM	800	800	800	800	800	800	800	800
Fan CFM (High)	2183	2756	2756	3831	3300	3831	4121	4121
Coil Face Area ft <sup>2</sup> (m <sup>2</sup> )	15.09 (1.40)	20.12 (1.87)	20.12 (1.87)	22.63 (2.10)	22.63 (2.10)	17.60 (1.64)	17.60 (1.64)	25.15 (2.34)
Coil Rows–fins per inch	1–20	1–20	1–20	1–20	2–20	2–20	2–20	2–20
Low Pressure Switch								
Open Pressure (psig)	23 ± 5	23 ± 5	23 ± 5	23 ± 5	23 ± 5	23 ± 5	23 ± 5	23 ± 5
Close Pressure (psig)	55 ± 5	55 ± 5	55 ± 5	55 ± 5	55 ± 5	55 ± 5	55 ± 5	55 ± 5
High Pressure Switch								
Open Pressure (psig)	670 ± 10	670 ± 10	670 ± 10	670 ± 10	670 ± 10	670 ± 10	670 ± 10	670 ± 10
Close Pressure (psig)	470 ± 25	470 ± 25	470 ± 25	470 ± 25	470 ± 25	470 ± 25	470 ± 25	470 ± 25
Liquid Line Connection Size in. (mm)	3/8 (10)	3/8 (10)	3/8 (10)	3/8 (10)	3/8 (10)	3/8 (10)	3/8 (10)	3/8 (10)
Vapor Line Connection Size in. (mm)	5/8 (16)	5/8 (16)	3/4 (19)	3/4 (19)	3/4 (19)	7/8 (22)	7/8 (22)	7/8 (22)
Recommended Line Set Liquid Tube Diameter in. (mm)	3/8 (10)	3/8 (10)	3/8 (10)	3/8 (10)	3/8 (10)	3/8 (10)	3/8 (10)	3/8 (10)
Recommended Line Set Vapor Tube Diameter in. (mm) *	5/8 (16)*	5/8 (16)*	3/4 (19)*	3/4 (19)*	3/4 (19)*	7/8 (22)*	7/8 (22)*	1–1/8 (29)*
* Recommended Vapor Tube Line size is for standard installations. These recommendations may not apply to “Long Line” installations. When the total equivalent line length exceeds 80 feet (24.4m) or there is more than 20 feet (6.1m) vertical separation between indoor and outdoor units, consult the Long Line Application Guideline document before purchasing/installing line sets.								
Factory Charge R–410A lbs.(kg)	5.60 (2.54)	7.60 (3.45)	7.00 (3.18)	7.40 (3.36)	12.90 (5.85)	8.90 (4.04)	9.60 (4.35)	12.50 (5.67)
Required Subcooling ° F (° C)	12 (7)	13 (7)	10 (6)	10 (6)	12 (7)	12 (7)	13 (7)	13 (7)
Outdoor Unit Factory Piston Size (used in Outdoor Unit for heating mode)	42	46	52	61	59	61	67	76
Weight, shipping lbs. (kg)	207 (94)	233 (106)	242 (110)	257 (117)	297 (135)	290 (132)	303 (137)	345 (157)
Weight, operating lbs. (kg)	169 (77)	200 (91)	196 (89)	215 (98)	255 (116)	245 (111)	260 (118)	294 (133)

ELECTRICAL DATA (208/230–1–60, voltage range 197V – 253V)								
Model Size	18	24	30	36	37	42	48	60
Minimum Circuit Ampacity – <b>MCA</b> (amps)	11.8	16.5	18.1	22.1	22.0	27.6	28.5	34.2
Maximum OverCurrent Protective device – <b>MOCP</b> (amps)	20	25	30	35	35	40	40	50
Compressor <b>RLA</b> (Rated Load Amps)	9.0	12.8	14.1	16.7	16.7	21.1	21.8	26.4
<b>LRA</b> (Locked Rotor Amps)	48.0	58.3	73.0	79.0	79.0	109.0	117.0	134.0
Fan Motor <b>FLA</b> (Full Load Amps)	0.5	0.5	0.5	1.2	1.1	1.2	1.2	1.2

\*\*Sound Rating tested in accordance with ARI Standard 270–95 (not listed with ARI).

**R-410A COOLING CAPACITY LOSS FOR VARIOUS LINE LENGTHS & TUBE DIAMETERS**

Model Size	Liquid Line in.(mm)	Acceptable Vapor Line Sizes in. (mm)	Cooling Capacity Loss (%) at Total Equivalent Line Length, feet (m) Refer to Long Line Application Guideline to calculate equivalent length										
			Standard Application			Long Line Application (Requires Accessories)							
			25' (7.6)	50' (15.2)	80' (24.4)	81' (24.7)	100' (30.5)	125' (38.1)	150' (45.7)	175' (53.3)	200' (61)	225' (68.6)	250' (76.2)
18	3/8 (10)	1/2 (13)	1	2	3	3	4	6	7	8	9	10	12
		5/8 (16)	0	0	1	1	1	1	2	2	3	3	3
24		5/8 (16)	0	1	1	1	2	3	3	4	4	5	6
		3/4 (19)	0	0	0	0	0	1	1	1	1	1	2
30		5/8 (16)	1	2	3	3	3	4	5	6	7	8	9
		3/4 (19)	0	0	1	1	1	1	2	2	2	3	3
		7/8 (22)	0	0	0	0	0	1	1	1	1	1	1
36, 37		5/8 (16)	1	2	4	4	5	6	7	9	10	11	13
		3/4 (19)	0	0	1	1	1	2	2	3	3	4	4
		7/8 (22)	0	0	0	0	0	1	1	1	1	2	2
42		3/4 (19)	0	1	2	2	2	3	4	4	5	6	6
		7/8 (22)	0	0	1	1	1	1	2	2	2	3	3
48	3/4 (19)	0	1	2	2	3	4	5	5	6	7	8	
	7/8 (22)	0	0	1	1	1	2	2	2	3	3	4	
60	3/4 (19)	1	2	4	4	5	6	7	9	10	11	12	
	7/8 (22)	0	1	2	2	2	3	4	4	5	5	6	
	1-1/8 (29)	0	0	0	0	1	1	1	1	1	1	2	

\* Applications are considered "Long Line" if the total equivalent tubing length exceeds 80 feet (24.4m) or there is more than 20 foot (6.1m) vertical separation between indoor and outdoor units. These applications require additional accessories and system modifications for reliable system operation.

Applications in shaded area may have height restrictions that limit allowable total equivalent length when outdoor unit is below indoor unit.

**COOLING & HEATING PERFORMANCE FOR COMBINATION RATINGS Indoor Models**

For complete ratings information, use the AHRI website directory search: [www.AHRIdirectory.org](http://www.AHRIdirectory.org). New ratings may be listed online before Specification Sheets are updated.

Outdoor Model	Current Indoor Model (‡ tested combo)	Furnace Model	Factory Installed	Cool 95° F (35° C)			SEER			Heat 47° F (8.3° C)		Heat 17° F (-8.3° C)		HSPF	
				BTU/hr	S / T	EER	factory	with field TDR	with field R-410A TXV	BTU/hr	COP	BTU/hr	COP		
CXH518GKA	#FXM4X18**A*	—	TDR&TXV	17,800	0.76	12.60	15.25				17,800	3.92	10,700	2.60	8.6
	ED*4X18B**	*8MPV050	TDR&TXV	17,200	0.76	12.00	14.50				18,000	3.78	10,800	2.52	8.5
	ED*4X18B**	*8MV*0701412**	TDR&TXV	17,200	0.76	12.00	14.50				17,500	3.58	10,400	2.46	8.2
	ED*4X18B**	*8MX*0451408**	TDR&TXV	17,400	0.76	12.00	14.50				17,800	3.68	10,600	2.50	8.2
	ED*4X18B**	MV08B15**B*	TDR&TXV	17,200	0.76	12.50	15.00				17,600	3.68	10,400	2.52	8.2
	ED*4X18B**	†	TXV	17,200	0.76	11.00		13.00			18,000	3.52	11,200	2.38	7.8
	ED*4X24B**	*8MPV050	TDR&TXV	17,400	0.76	12.50	15.00				18,000	3.92	10,900	2.58	8.5
	ED*4X24B**	*8MV*0701412**	TDR&TXV	17,400	0.76	12.50	15.00				17,700	3.70	10,500	2.50	8.2
	ED*4X24B**	*8MX*0451408**	TDR&TXV	17,600	0.76	12.50	15.00				18,000	3.84	10,700	2.56	8.5
	ED*4X24B**	MV08B15**B*	TDR&TXV	17,400	0.76	12.50	15.00				17,700	3.82	10,500	2.56	8.5
	ED*4X24B**	†	TXV	17,400	0.76	11.00		13.00			18,000	3.62	11,200	2.42	8.2
	ED*4X24F**	*8MV*0901716**	TDR&TXV	17,400	0.76	12.50	15.00				17,700	3.74	10,500	2.52	8.2
	ED*4X24F**	NOMV106D12*	TDR&TXV	17,800	0.76	12.50	15.00				17,800	3.76	10,500	2.54	8.5
	ED*4X24F**	OLV098A12A	TDR&TXV	18,000	0.76	12.50	15.00				18,000	3.84	10,700	2.56	8.5
	ED*4X24F**	OMV098J12A	TDR&TXV	18,000	0.76	12.50	15.00				18,000	3.90	10,800	2.58	8.5
	ED*4X24F**	†	TXV	17,400	0.76	11.00		13.00			18,000	3.62	11,200	2.42	8.2
	EHD4X24A**	*8MPV050	TDR&TXV	17,400	0.76	12.50	15.00				18,000	3.92	10,900	2.58	8.5
	EHD4X24A**	*9MPV050	TDR&TXV	17,400	0.76	12.00	14.50				18,000	3.94	11,000	2.58	8.5
	EHD4X24A**	*9MPV075	TDR&TXV	17,400	0.76	12.00	14.50				18,000	3.92	11,000	2.56	8.5
	EHD4X24A**	*9MVX040	TDR&TXV	17,400	0.76	12.00	14.50				18,000	3.94	11,000	2.58	8.5
	EHD4X24A**	*9MVX060	TDR&TXV	17,400	0.76	12.00	14.50				18,000	3.94	11,000	2.58	8.5
	EHD4X24A**	MV08B15**B*	TDR&TXV	17,400	0.76	12.50	15.00				17,700	3.84	10,500	2.56	8.5
	EHD4X24A**	OLV098A12A	TDR&TXV	18,000	0.76	12.50	15.00				18,000	3.86	10,800	2.56	8.5
	EHD4X24A**	OMV098J12A	TDR&TXV	18,000	0.76	12.50	15.00				18,000	3.92	10,800	2.58	8.5
	EHD4X24A**	†	TXV	17,400	0.76	11.00		13.00			18,000	3.68	11,300	2.42	8.2
	EHD4X24A***	*8MV*0701412**	TDR&TXV	17,400	0.76	12.50	15.00				17,700	3.72	10,500	2.52	8.2
	EHD4X24A***	*8MV*0901716**	TDR&TXV	17,400	0.76	12.50	15.00				17,700	3.76	10,500	2.52	8.2
	EHD4X24A***	*8MX*0451408**	TDR&TXV	17,600	0.76	12.50	15.00				18,000	3.82	10,700	2.54	8.5
	EHD4X24A***	NOMV106D12*	TDR&TXV	17,900	0.76	12.50	15.00				17,900	3.78	10,600	2.54	8.5
	EMA4X24D**	†	TXV	17,400	0.76	11.00		13.00			18,000	3.66	11,200	2.42	8.2
	EN(A,D)4X18*14**	*8MV*0701412**	TDR&TXV	17,200	0.76	12.00	14.50				17,500	3.68	10,500	2.48	8.2
	EN(A,D)4X18*14**	*8MX*0451408**	TDR&TXV	17,400	0.76	12.00	14.50				17,800	3.74	10,600	2.52	8.2
EN(A,D)4X18*14**	†	TXV	17,200	0.76	11.20		13.00			18,000	3.62	11,200	2.40	8.0	
EN(A,D)4X19*17**	*8MV*0901716**	TDR&TXV	17,600	0.76	12.50	15.00				17,800	3.80	10,500	2.54	8.5	
EN(A,D)4X19*17**	NOMV106D12*	TDR&TXV	17,900	0.76	12.50	15.00				17,900	3.86	10,600	2.56	8.5	
EN(A,D)4X19*17**	OLV098A12A	TDR&TXV	18,000	0.76	12.50	15.00				18,000	3.94	10,700	2.60	8.5	
EN(A,D)4X19*17**	OMV098J12A	TDR&TXV	18,000	0.76	12.50	15.00				18,000	4.00	10,800	2.60	8.5	
EN(A,D)4X19*17**	†	TXV	17,600	0.76	11.50		13.00			18,000	3.68	11,300	2.44	8.2	
EN(A,D)4X24*14**	*8MV*0701412**	TDR&TXV	17,400	0.76	12.50	15.00				17,700	3.74	10,500	2.52	8.2	
EN(A,D)4X24*14**	*8MX*0451408**	TDR&TXV	17,600	0.76	12.50	15.00				18,000	3.84	10,700	2.56	8.5	
EN(A,D)4X24*14**	†	TXV	17,400	0.76	11.20		13.50			18,000	3.66	11,300	2.42	8.2	
EN(A,D)4X24*17**	*8MV*0901716**	TDR&TXV	17,400	0.76	12.50	15.00				17,700	3.76	10,500	2.52	8.2	

2009 ENERGY STAR compliance for combinations with all three: SEER 14.50 or higher and EER 12.00 or higher and HSPF 8.2 or higher.

† For coils not listed with a matching furnace or blower, coil rating applies with any indoor blower device.

- continued on next page -

**COOLING & HEATING PERFORMANCE FOR COMBINATION RATINGS (continued) Indoor Models**

For complete ratings information, use the AHRI website directory search: [www.AHRIdirectory.org](http://www.AHRIdirectory.org). New ratings may be listed online before Specification Sheets are updated.

Outdoor Model	Current Indoor Model (‡ tested combo)	Furnace Model	Factory Installed	Cool 95° F (35° C)			SEER			Heat 47° F (8.3° C)		Heat 17° F (-8.3° C)		HSPF	
				BTU/hr	S / T	EER	factory	with field TDR	with field R-410A TXV	BTU/hr	COP	BTU/hr	COP		
CXH518GKA (continued)	EN(A,D)4X24*17**	*9MPV050	TDR&TXV	18,000	0.76	12.00	14.50				18,000	3.96	11,000	2.58	8.5
	EN(A,D)4X24*17**	*9MVX040	TDR&TXV	18,000	0.76	12.00	14.50				18,000	3.96	11,000	2.58	8.5
	EN(A,D)4X24*17**	NOMV106D12*	TDR&TXV	17,800	0.76	12.50	15.00				17,800	3.80	10,600	2.54	8.5
	EN(A,D)4X24*17**	OLV098A12A	TDR&TXV	18,000	0.76	12.50	15.00				18,000	3.88	10,700	2.56	8.5
	EN(A,D)4X24*17**	OMV098J12A	TDR&TXV	18,000	0.76	12.50	15.00				18,000	3.92	10,800	2.58	8.5
	EN(A,D)4X24*17**	†	TXV	17,400	0.76	11.20		13.50			18,000	3.66	11,300	2.42	8.2
	ENH4X24*17**	*8MV*0701412**	TDR&TXV	17,300	0.76	12.50	15.00				17,700	3.74	10,500	2.52	8.2
	ENH4X24*17**	*8MV*0901716**	TDR&TXV	17,400	0.76	12.50	15.00				17,700	3.76	10,500	2.52	8.2
	ENH4X24*17**	*8MX*0451408**	TDR&TXV	17,600	0.76	12.50	15.00				18,000	3.84	10,700	2.56	8.5
	ENH4X24*17**	*9MPV050	TDR&TXV	18,000	0.76	12.00	14.50				18,000	3.96	11,000	2.58	8.5
	ENH4X24*17**	*9MVX040	TDR&TXV	18,000	0.76	12.00	14.50				18,000	3.96	11,000	2.58	8.5
	ENH4X24*17**	NOMV106D12*	TDR&TXV	17,800	0.76	12.50	15.00				17,800	3.80	10,600	2.54	8.5
	ENH4X24*17**	OLV098A12A	TDR&TXV	18,000	0.76	12.50	15.00				18,000	3.88	10,700	2.56	8.5
	ENH4X24*17**	OMV098J12A	TDR&TXV	18,000	0.76	12.50	15.00				18,000	3.92	10,800	2.58	8.5
	ENH4X24*17**	†	TXV	17,400	0.76	11.20		13.50			18,000	3.66	11,300	2.42	8.2
	FEA4X18**A*	—	TDR&TXV	17,600	0.76	12.00	14.50				18,000	3.76	10,700	2.52	8.2
	FEA4X24**A*	—	TDR&TXV	17,800	0.76	12.50	15.00				18,000	3.86	10,700	2.58	8.5
	FEM4P18**A*+TXV	—	TDR	17,600	0.76	12.50				15.00	18,000	3.78	10,700	2.52	8.2
	FEM4P18**A*	—	TDR	17,700	0.76	12.00	14.00				18,000	3.78	10,700	2.52	8.4
	FEM4P24**A*+TXV	—	TDR	17,600	0.76	12.50				15.00	18,000	3.78	10,700	2.52	8.2
	FEM4P24**A*	—	TDR	17,700	0.76	12.00	14.00				18,000	3.78	10,700	2.52	8.4
	FEM4X18****	—	TDR&TXV	17,600	0.76	12.50	15.00				18,000	3.78	10,700	2.52	8.5
	FEM4X24****	—	TDR&TXV	17,800	0.76	12.50	15.00				18,000	3.82	10,700	2.56	8.5
	FS(M,U)4P18**A*+TXV	—	TDR	17,400	0.76	11.50				14.00	18,000	3.64	11,000	2.44	8.2
	FS(M,U)4P18**A*	—	TDR	17,600	0.76	11.50	13.00				18,000	3.64	11,000	2.44	8.2
	FS(M,U)4P24**A*+TXV	—	TDR	17,400	0.76	11.50				14.00	18,000	3.68	11,000	2.46	8.2
	FS(M,U)4P24**A*	—	TDR	17,700	0.76	11.50	13.00				18,000	3.68	11,000	2.46	8.2
	FS(M,U)4X18****	—	TDR&TXV	17,200	0.76	11.00	13.00				18,000	3.54	11,200	2.38	8.0
	FSA4X18**A*	—	TDR&TXV	17,200	0.76	11.00	13.00				18,000	3.54	11,200	2.38	8.0
	FSA4X24**A*	—	TDR&TXV	17,400	0.76	11.00	13.00				18,000	3.58	11,200	2.40	8.0
FVM4X24****	—	TDR&TXV	17,800	0.76	12.50	15.00				17,800	3.84	10,500	2.56	8.5	
FXM4X24**A*	—	TDR&TXV	18,000	0.76	12.60	15.50				18,000	3.90	10,700	2.58	8.6	
CXH524GKA	‡FXM4X24**A*	—	TDR&TXV	24,000	0.76	12.50	15.25				24,000	3.96	14,700	2.68	8.7
	ED*4X24B**	*8MPV050	TDR&TXV	24,000	0.76	12.00	14.50				24,000	3.88	14,900	2.62	8.7
	ED*4X24B**	*8MV*0701412**	TDR&TXV	23,400	0.76	12.50	15.00				24,000	3.78	14,100	2.58	8.5
	ED*4X24B**	*8MX*0451408**	TDR&TXV	23,400	0.76	12.50	15.00				24,000	3.84	14,500	2.64	8.5
	ED*4X24B**	MV08B15**B*	TDR&TXV	23,800	0.76	12.50	15.50				24,000	3.90	14,400	2.68	8.6
	ED*4X24B**	†	TXV	23,600	0.76	11.20		13.50			24,000	3.72	15,200	2.54	8.3
	ED*4X24F**	*8MPV075	TDR&TXV	24,000	0.76	12.50	15.00				24,000	3.98	14,700	2.68	8.7
	ED*4X24F**	*8MV*0901716**	TDR&TXV	23,400	0.76	12.50	15.50				24,000	3.82	14,300	2.64	8.5
	ED*4X24F**	*9MPV050	TDR&TXV	23,800	0.76	12.00	15.00				24,000	3.84	14,600	2.64	8.5
	ED*4X24F**	*9MPV075	TDR&TXV	23,800	0.76	12.00	14.50				24,000	3.88	14,700	2.64	8.5
	ED*4X24F**	*9MVX040	TDR&TXV	23,800	0.76	12.00	14.50				24,000	3.86	14,700	2.64	8.5

2009 ENERGY STAR compliance for combinations with all three: SEER 14.50 or higher and EER 12.00 or higher and HSPF 8.2 or higher.

† For coils not listed with a matching furnace or blower, coil rating applies with any indoor blower device.

- continued on next page -

**COOLING & HEATING PERFORMANCE FOR COMBINATION RATINGS (continued) Indoor Models**

For complete ratings information, use the AHRI website directory search: [www.AHRIdirectory.org](http://www.AHRIdirectory.org). New ratings may be listed online before Specification Sheets are updated.

Outdoor Model	Current Indoor Model (‡ tested combo)	Furnace Model	Factory Installed	Cool 95° F (35° C)			SEER			Heat 47° F (8.3° C)		Heat 17° F (-8.3° C)		HSPF	
				BTU/hr	S / T	EER	factory	with field TDR	with field R-410A TXV	BTU/hr	COP	BTU/hr	COP		
CXH524GKA (continued)	ED*4X24F**	*9MVX060	TDR&TXV	24,000	0.76	12.00	15.00				24,000	3.92	14,800	2.66	8.6
	ED*4X24F**	MV12F19**B*	TDR&TXV	23,800	0.76	12.50	15.50				24,000	3.92	14,300	2.68	8.6
	ED*4X24F**	NOMV106D12*	TDR&TXV	23,400	0.76	12.50	15.00				24,000	3.78	14,100	2.60	8.5
	ED*4X24F**	OLV098A12A	TDR&TXV	23,800	0.76	12.50	15.00				24,000	3.88	14,500	2.66	8.5
	ED*4X24F**	OMV098J12A	TDR&TXV	23,800	0.76	12.50	15.00				24,000	3.86	14,600	2.64	8.5
	ED*4X24F**	†	TXV	23,600	0.76	11.20			13.50		24,000	3.72	15,200	2.54	8.3
	ED*4X24F**	OMV098J12	TDR&TXV	23,600	0.76	12.50	15.00				24,000	3.86	14,600	2.64	8.5
	ED*4X30B**	*8MPV050	TDR&TXV	24,000	0.76	12.00	14.50				24,000	3.92	14,900	2.66	8.6
	ED*4X30B**	*8MV*0701412**	TDR&TXV	23,400	0.76	12.50	15.50				24,000	3.80	14,400	2.64	8.5
	ED*4X30B**	*8MX*0451408**	TDR&TXV	23,400	0.76	12.50	15.25				24,000	3.88	14,600	2.66	8.7
	ED*4X30B**	MV08B15**B*	TDR&TXV	24,000	0.76	12.50	15.50				24,000	3.92	14,400	2.70	8.6
	ED*4X30B**	†	TXV	23,800	0.76	11.20			13.50		24,000	3.74	15,200	2.56	8.3
	ED*4X30F**	*8MPV075	TDR&TXV	24,000	0.76	12.50	15.00				24,000	4.04	14,800	2.72	9.0
	ED*4X30F**	*8MV*0901716**	TDR&TXV	23,400	0.76	12.50	15.50				24,000	3.86	14,400	2.66	8.5
	ED*4X30F**	*9MPV050	TDR&TXV	24,000	0.76	12.00	15.00				24,000	3.90	14,700	2.66	8.6
	ED*4X30F**	*9MPV075	TDR&TXV	24,000	0.76	12.00	15.00				24,000	3.94	14,800	2.68	8.6
	ED*4X30F**	*9MVX040	TDR&TXV	24,000	0.76	12.00	15.00				24,000	3.90	14,700	2.66	8.6
	ED*4X30F**	*9MVX060	TDR&TXV	24,000	0.76	12.50	15.00				24,000	3.98	14,800	2.70	8.7
	ED*4X30F**	MV12F19**B*	TDR&TXV	24,000	0.76	13.00	16.00				24,000	3.94	14,400	2.72	8.7
	ED*4X30F**	NOMV106D12*	TDR&TXV	23,600	0.76	12.50	15.00				24,000	3.82	14,300	2.64	8.5
	ED*4X30F**	OLV098A12A	TDR&TXV	24,000	0.76	12.50	15.00				24,000	3.90	14,500	2.68	8.5
	ED*4X30F**	OMV098J12A	TDR&TXV	24,000	0.76	12.50	15.00				24,000	3.90	14,600	2.68	8.5
	ED*4X30F**	†	TXV	23,800	0.76	11.20			13.50		24,000	3.74	15,200	2.56	8.3
	ED*4X30F**	OMV098J12	TDR&TXV	23,800	0.76	12.50	15.00				24,000	3.90	14,600	2.68	8.6
	EHD4X24A**	*8MPV050	TDR&TXV	24,000	0.76	12.00	14.50				24,000	3.92	14,900	2.64	8.5
	EHD4X24A**	*8MPV075	TDR&TXV	24,000	0.76	12.00	15.00				24,000	3.96	14,700	2.66	8.7
	EHD4X24A**	*8MPV100	TDR&TXV	24,000	0.76	12.50	15.00				24,000	4.04	14,800	2.72	8.8
	EHD4X24A**	*8MPV125	TDR&TXV	24,000	0.76	12.50	15.00				24,000	4.04	14,800	2.72	8.8
	EHD4X24A**	*9MPV050	TDR&TXV	23,800	0.76	12.00	14.50				24,000	3.84	14,700	2.62	8.5
	EHD4X24A**	*9MPV075	TDR&TXV	23,800	0.76	12.00	14.50				24,000	3.84	14,700	2.62	8.5
	EHD4X24A**	*9MPV100	TDR&TXV	24,000	0.76	12.00	15.00				24,000	3.96	14,800	2.66	8.7
	EHD4X24A**	*9MPV125	TDR&TXV	24,000	0.76	12.50	15.00				24,000	4.00	14,700	2.68	8.7
	EHD4X24A**	*9MVX040	TDR&TXV	23,800	0.76	12.00	14.50				24,000	3.86	14,700	2.62	8.5
	EHD4X24A**	*9MVX060	TDR&TXV	24,000	0.76	12.00	14.50				24,000	3.90	14,800	2.64	8.6
	EHD4X24A**	*9MVX080	TDR&TXV	24,000	0.76	12.00	15.00				24,000	4.04	14,900	2.70	8.8
	EHD4X24A**	*9MVX100	TDR&TXV	24,000	0.76	12.50	15.00				24,000	3.98	14,700	2.68	8.7
	EHD4X24A**	MV08B15**B*	TDR&TXV	23,800	0.76	12.50	15.50				24,000	3.96	14,500	2.70	8.7
	EHD4X24A**	MV12F19**B*	TDR&TXV	24,000	0.76	12.50	15.50				24,000	3.96	14,500	2.70	8.6
	EHD4X24A**	OLV098A12A	TDR&TXV	24,000	0.76	12.50	15.00				24,000	3.92	14,700	2.66	8.5
	EHD4X24A**	OMV098J12A	TDR&TXV	24,000	0.76	12.00	15.00				24,000	3.92	14,700	2.66	8.5
EHD4X24A**	†	TXV	23,600	0.76	11.20			13.50		24,000	3.82	15,300	2.56	8.3	
EHD4X24A**	OMV098J12	TDR&TXV	23,600	0.76	12.00	15.00				24,000	3.90	14,700	2.66	8.6	
EHD4X24A**	*8MV*0701412**	TDR&TXV	23,400	0.76	12.50	15.00				24,000	3.84	14,500	2.64	8.5	

2009 ENERGY STAR compliance for combinations with all three: SEER 14.50 or higher and EER 12.00 or higher and HSPF 8.2 or higher.

† For coils not listed with a matching furnace or blower, coil rating applies with any indoor blower device.

**COOLING & HEATING PERFORMANCE FOR COMBINATION RATINGS (continued) Indoor Models**

For complete ratings information, use the AHRI website directory search: [www.AHRIdirectory.org](http://www.AHRIdirectory.org). New ratings may be listed online before Specification Sheets are updated.

Outdoor Model	Current Indoor Model (‡ tested combo)	Furnace Model	Factory Installed	Cool 95° F (35° C)			SEER			Heat 47° F (8.3° C)		Heat 17° F (-8.3° C)		HSPF	
				BTU/hr	S / T	EER	factory	with field TDR	with field R-410A TXV	BTU/hr	COP	BTU/hr	COP		
CXH524GKA (continued)	EHD4X24A***	*8MV*0901716**	TDR&TXV	23,400	0.76	12.50	15.50				24,000	3.88	14,400	2.66	8.5
	EHD4X24A***	*8MV*1102120**	TDR&TXV	23,400	0.76	12.50	15.00				24,000	3.86	14,500	2.64	8.5
	EHD4X24A***	*8MV*1352422**	TDR&TXV	23,400	0.76	12.50	15.00				24,000	3.88	14,500	2.66	8.5
	EHD4X24A***	*8MX*0451408**	TDR&TXV	23,400	0.76	12.50	15.00				24,000	3.86	14,600	2.64	8.5
	EHD4X24A***	NOMV106D12*	TDR&TXV	23,600	0.76	12.50	15.00				24,000	3.82	14,500	2.62	8.5
	EHD4X30A**	*8MPV050	TDR&TXV	24,000	0.76	12.00	14.50				24,000	3.94	14,900	2.66	8.6
	EHD4X30A**	*8MPV075	TDR&TXV	24,000	0.76	12.50	15.00				24,000	4.00	14,800	2.70	8.8
	EHD4X30A**	*8MPV100	TDR&TXV	24,000	0.76	12.50	15.00				24,000	4.10	14,800	2.76	9.0
	EHD4X30A**	*8MPV125	TDR&TXV	24,000	0.76	12.50	15.00				24,000	4.12	14,800	2.76	9.0
	EHD4X30A**	*8MV*0701412**	TDR&TXV	23,400	0.76	12.50	15.50				24,000	3.82	14,400	2.64	8.5
	EHD4X30A**	*8MV*0901716**	TDR&TXV	23,400	0.76	12.50	15.50				24,000	3.86	14,400	2.66	8.5
	EHD4X30A**	*8MV*1102120**	TDR&TXV	23,400	0.76	12.50	15.50				24,000	3.86	14,400	2.66	8.5
	EHD4X30A**	*8MV*1352422**	TDR&TXV	23,400	0.76	12.50	15.50				24,000	3.86	14,400	2.66	8.5
	EHD4X30A**	*8MX*0451408**	TDR&TXV	23,400	0.76	12.50	15.25				24,000	3.90	14,600	2.66	8.7
	EHD4X30A**	*9MPV050	TDR&TXV	24,000	0.76	12.00	15.00				24,000	3.88	14,700	2.64	8.5
	EHD4X30A**	*9MPV075	TDR&TXV	24,000	0.76	12.00	15.00				24,000	3.90	14,700	2.66	8.6
	EHD4X30A**	*9MPV100	TDR&TXV	24,000	0.76	12.50	15.00				24,000	4.02	14,800	2.72	9.0
	EHD4X30A**	*9MPV125	TDR&TXV	24,000	0.76	12.50	15.00				24,000	4.06	14,800	2.74	9.0
	EHD4X30A**	*9MVX040	TDR&TXV	24,000	0.76	12.00	15.00				24,000	3.88	14,700	2.66	8.6
	EHD4X30A**	*9MVX060	TDR&TXV	24,000	0.76	12.00	15.00				24,000	3.96	14,800	2.68	8.7
	EHD4X30A**	*9MVX080	TDR&TXV	24,000	0.76	12.50	15.00				24,000	4.08	14,900	2.74	9.0
	EHD4X30A**	*9MVX100	TDR&TXV	24,000	0.76	12.50	15.00				24,000	4.06	14,800	2.74	9.0
	EHD4X30A**	MV08B15**B*	TDR&TXV	24,000	0.76	13.00	16.00				24,000	3.94	14,400	2.70	8.6
	EHD4X30A**	MV12F19**B*	TDR&TXV	24,000	0.76	13.00	16.00				24,000	3.96	14,400	2.70	8.7
	EHD4X30A**	NOMV106D12*	TDR&TXV	23,800	0.76	12.50	15.00				24,000	3.82	14,400	2.64	8.5
	EHD4X30A**	OLV098A12A	TDR&TXV	24,000	0.76	12.50	15.00				24,000	3.92	14,600	2.68	8.5
	EHD4X30A**	OMV098J12A	TDR&TXV	24,000	0.76	12.50	15.00				24,000	3.90	14,600	2.66	8.5
	EHD4X30A**	†	TXV	23,800	0.76	11.20			13.50		24,000	3.78	15,200	2.56	8.3
	EHD4X30A**	OMV098J12	TDR&TXV	23,600	0.76	12.50	15.00				24,000	3.90	14,600	2.66	8.6
	EMA4X24D**	†	TXV	23,600	0.76	11.20			13.50		24,000	3.80	15,200	2.54	8.3
	EN(A,D)4X24*14**	*8MV*0701412**	TDR&TXV	23,400	0.76	12.50	15.00				24,000	3.86	14,400	2.62	8.5
	EN(A,D)4X24*14**	*8MX*0451408**	TDR&TXV	23,400	0.76	12.45	15.00				24,000	3.90	14,500	2.64	8.5
EN(A,D)4X24*14**	†	TXV	23,400	0.76	11.20			13.50		24,000	3.80	15,200	2.54	8.3	
EN(A,D)4X24*17**	*8MV*0901716**	TDR&TXV	23,400	0.76	12.50	15.00				24,000	3.90	14,400	2.64	8.5	
EN(A,D)4X24*17**	*9MPV050	TDR&TXV	23,600	0.76	12.00	14.50				24,000	3.86	14,600	2.62	8.5	
EN(A,D)4X24*17**	*9MVX040	TDR&TXV	23,600	0.76	12.00	14.50				24,000	3.88	14,700	2.62	8.5	
EN(A,D)4X24*17**	NOMV106D12*	TDR&TXV	23,400	0.76	12.50	15.00				24,000	3.84	14,400	2.62	8.5	
EN(A,D)4X24*17**	OLV098A12A	TDR&TXV	23,800	0.76	12.00	15.00				24,000	3.92	14,600	2.64	8.5	
EN(A,D)4X24*17**	OMV098J12A	TDR&TXV	23,800	0.76	12.00	15.00				24,000	3.92	14,700	2.64	8.5	
EN(A,D)4X24*17**	OMV098J12	TDR&TXV	23,600	0.76	12.00	15.00				24,000	3.92	14,700	2.64	8.5	
EN(A,D)4X24*17**	†	TXV	23,400	0.76	11.20			13.50		24,000	3.80	15,200	2.54	8.3	
EN(A,D)4X30*14**	*8MV*0701412**	TDR&TXV	23,400	0.76	12.50	15.50				24,000	3.82	14,400	2.64	8.5	
EN(A,D)4X30*14**	*8MX*0451408**	TDR&TXV	23,400	0.76	12.50	15.25				24,000	3.86	14,600	2.66	8.7	

2009 ENERGY STAR compliance for combinations with all three: SEER 14.50 or higher and EER 12.00 or higher and HSPF 8.2 or higher.

† For coils not listed with a matching furnace or blower, coil rating applies with any indoor blower device.

- continued on next page -

**COOLING & HEATING PERFORMANCE FOR COMBINATION RATINGS (continued) Indoor Models**

For complete ratings information, use the AHRI website directory search: [www.AHRIdirectory.org](http://www.AHRIdirectory.org). New ratings may be listed online before Specification Sheets are updated.

Outdoor Model	Current Indoor Model (‡ tested combo)	Furnace Model	Factory Installed	Cool 95° F (35° C)			SEER			Heat 47° F (8.3° C)		Heat 17° F (-8.3° C)		HSPF
				BTU/hr	S / T	EER	factory	with field TDR	with field R-410A TXV	BTU/hr	COP	BTU/hr	COP	
CXH524GKA (continued)	EN(A,D)4X30*14**	†	TXV	23,400	0.76	11.20		13.50		24,000	3.76	15,200	2.56	8.3
	EN(A,D)4X30*17**	*8MV*0901716**	TDR&TXV	23,400	0.76	12.50	15.50			24,000	3.88	14,400	2.68	8.5
	EN(A,D)4X30*17**	*9MPV050	TDR&TXV	24,000	0.76	12.50	15.00			24,000	3.90	14,700	2.66	8.5
	EN(A,D)4X30*17**	*9MPV075	TDR&TXV	24,000	0.76	12.00	15.00			24,000	3.92	14,800	2.68	8.5
	EN(A,D)4X30*17**	*9MVX040	TDR&TXV	24,000	0.76	12.00	15.00			24,000	3.90	14,700	2.66	8.5
	EN(A,D)4X30*17**	*9MVX060	TDR&TXV	24,000	0.76	12.50	15.00			24,000	3.98	14,800	2.70	8.5
	EN(A,D)4X30*17**	NOMV106D12*	TDR&TXV	23,600	0.76	12.50	15.00			24,000	3.84	14,300	2.64	8.5
	EN(A,D)4X30*17**	OLV098A12A	TDR&TXV	24,000	0.76	12.50	15.00			24,000	3.92	14,500	2.68	8.5
	EN(A,D)4X30*17**	OMV098J12A	TDR&TXV	24,000	0.76	12.50	15.00			24,000	3.90	14,600	2.68	8.5
	EN(A,D)4X30*17**	OMV098J12	TDR&TXV	23,800	0.76	12.50	15.00			24,000	3.90	14,600	2.68	8.6
	EN(A,D)4X30*17**	†	TXV	23,400	0.76	11.20		13.50		24,000	3.76	15,200	2.56	8.3
	EN(A,D)4X31*17**	*8MV*0901716**	TDR&TXV	23,400	0.76	13.00	16.00			24,000	4.04	14,400	2.72	9.0
	EN(A,D)4X31*17**	*9MPV050	TDR&TXV	24,000	0.76	12.50	15.00			24,000	4.08	14,800	2.72	9.0
	EN(A,D)4X31*17**	*9MPV075	TDR&TXV	24,000	0.76	12.50	15.00			24,000	4.14	14,900	2.74	9.0
	EN(A,D)4X31*17**	*9MVX040	TDR&TXV	24,000	0.76	12.50	15.00			24,000	4.08	14,800	2.72	9.0
	EN(A,D)4X31*17**	*9MVX060	TDR&TXV	24,000	0.76	12.50	15.00			24,000	4.18	14,900	2.76	9.0
	EN(A,D)4X31*17**	NOMV106D12*	TDR&TXV	24,000	0.76	12.50	15.00			24,000	4.00	14,500	2.72	8.5
	EN(A,D)4X31*17**	OLV098A12A	TDR&TXV	24,000	0.76	12.50	15.00			24,000	4.08	14,600	2.74	9.0
	EN(A,D)4X31*17**	OMV098J12A	TDR&TXV	24,000	0.76	12.50	15.00			24,000	4.08	14,700	2.72	9.0
	EN(A,D)4X31*17**	†	TXV	23,400	0.76	11.50		14.00		24,000	3.92	15,300	2.60	8.7
	END4X31*17**	OMV098J12	TDR&TXV	24,000	0.76	12.50	15.50			24,000	4.08	14,700	2.74	8.7
	ENH4X24*17**	*8MV*0701412**	TDR&TXV	23,400	0.76	12.50	15.00			24,000	3.86	14,400	2.62	8.5
	ENH4X24*17**	*8MV*0901716**	TDR&TXV	23,400	0.76	12.50	15.00			24,000	3.90	14,400	2.64	8.5
	ENH4X24*17**	*8MV*1102120**	TDR&TXV	23,400	0.76	12.50	15.00			24,000	3.88	14,500	2.64	8.5
	ENH4X24*17**	*8MV*1352422**	TDR&TXV	23,400	0.76	12.50	15.00			24,000	3.88	14,400	2.64	8.5
	ENH4X24*17**	*8MX*0451408**	TDR&TXV	23,400	0.76	12.00	15.00			24,000	3.90	14,500	2.64	8.5
	ENH4X24*17**	*9MPV050	TDR&TXV	23,600	0.76	12.00	14.50			24,000	3.86	14,600	2.62	8.5
	ENH4X24*17**	*9MVX040	TDR&TXV	23,600	0.76	12.00	14.50			24,000	3.88	14,700	2.62	8.5
	ENH4X24*17**	NOMV106D12*	TDR&TXV	23,400	0.76	12.50	15.00			24,000	3.84	14,400	2.62	8.5
	ENH4X24*17**	OLV098A12A	TDR&TXV	23,800	0.76	12.00	15.00			24,000	3.92	14,600	2.64	8.5
	ENH4X24*17**	OMV098J12A	TDR&TXV	23,800	0.76	12.00	15.00			24,000	3.92	14,700	2.64	8.5
	ENH4X24*17**	OMV098J12	TDR&TXV	23,600	0.76	12.00	15.00			24,000	3.92	14,700	2.64	8.6
	ENH4X24*17**	†	TXV	23,400	0.76	11.20		13.50		24,000	3.80	15,200	2.54	8.3
ENH4X30*17**	*8MV*0701412**	TDR&TXV	23,400	0.76	12.50	15.50			24,000	3.84	14,400	2.64	8.5	
ENH4X30*17**	*8MV*0901716**	TDR&TXV	23,400	0.76	12.50	15.50			24,000	3.88	14,400	2.68	8.5	
ENH4X30*17**	*8MV*1102120**	TDR&TXV	23,400	0.76	12.50	15.50			24,000	3.86	14,400	2.66	8.5	
ENH4X30*17**	*8MV*1352422**	TDR&TXV	23,400	0.76	12.50	15.50			24,000	3.88	14,400	2.68	8.5	
ENH4X30*17**	*8MX*0451408**	TDR&TXV	23,400	0.76	12.50	15.25			24,000	3.92	14,600	2.68	8.7	
ENH4X30*17**	*9MPV050	TDR&TXV	24,000	0.76	12.50	15.00			24,000	3.90	14,700	2.66	8.5	
ENH4X30*17**	*9MPV075	TDR&TXV	24,000	0.76	12.00	15.00			24,000	3.92	14,800	2.68	8.5	
ENH4X30*17**	*9MVX040	TDR&TXV	24,000	0.76	12.00	15.00			24,000	3.90	14,700	2.66	8.5	

2009 ENERGY STAR compliance for combinations with all three: SEER 14.50 or higher and EER 12.00 or higher and HSPF 8.2 or higher.

† For coils not listed with a matching furnace or blower, coil rating applies with any indoor blower device.

- continued on next page -

**COOLING & HEATING PERFORMANCE FOR COMBINATION RATINGS (continued) Indoor Models**

For complete ratings information, use the AHRI website directory search: [www.AHRIdirectory.org](http://www.AHRIdirectory.org). New ratings may be listed online before Specification Sheets are updated.

Outdoor Model	Current Indoor Model (‡ tested combo)	Furnace Model	Factory Installed	Cool 95° F (35° C)			SEER			Heat 47° F (8.3° C)		Heat 17° F (-8.3° C)		HSPF		
				BTU/hr	S / T	EER	factory	with field TDR	with field R-410A TXV	BTU/hr	COP	BTU/hr	COP			
CXH524GKA (continued)	ENH4X30*17**	*9MVX060	TDR&TXV	24,000	0.76	12.50	15.00				24,000	3.98	14,800	2.70	8.5	
	ENH4X30*17**	NOMV106D12*	TDR&TXV	23,600	0.76	12.50	15.00				24,000	3.84	14,300	2.64	8.5	
	ENH4X30*17**	OLV098A12A	TDR&TXV	24,000	0.76	12.50	15.00				24,000	3.92	14,500	2.68	8.5	
	ENH4X30*17**	OMV098J12A	TDR&TXV	24,000	0.76	12.50	15.00				24,000	3.90	14,600	2.68	8.5	
	ENH4X30*17**	OMV098J12	TDR&TXV	23,600	0.76	12.50	15.00				24,000	3.90	14,600	2.68	8.6	
	ENH4X30*17**	†	TXV	23,400	0.76	11.20			13.50		24,000	3.76	15,200	2.56	8.3	
	ENH4X31*17**	*9MPV050	TDR&TXV	24,000	0.76	12.50	15.00				24,000	4.08	14,800	2.72	9.0	
	ENH4X31*17**	*9MPV075	TDR&TXV	24,000	0.76	12.50	15.00				24,000	4.14	14,900	2.74	9.0	
	ENH4X31*17**	*9MVX040	TDR&TXV	24,000	0.76	12.50	15.00				24,000	4.08	14,800	2.72	9.0	
	ENH4X31*17**	*9MVX060	TDR&TXV	24,000	0.76	12.50	15.00				24,000	4.18	14,900	2.76	9.0	
	ENH4X31*17**	NOMV106D12*	TDR&TXV	24,000	0.76	12.50	15.00				24,000	4.00	14,400	2.72	8.5	
	ENH4X31*17**	OLV098A12A	TDR&TXV	24,000	0.76	12.50	15.00				24,000	4.10	14,600	2.74	9.0	
	ENH4X31*17**	OMV098J12A	TDR&TXV	24,000	0.76	12.50	15.00				24,000	4.08	14,700	2.74	9.0	
	ENH4X31*17**	OMV098J12	TDR&TXV	24,000	0.76	12.50	15.50				24,000	4.08	14,700	2.74	8.7	
	FEA4X24**A*	—	—	TDR&TXV	24,000	0.76	12.00	15.00				24,000	3.88	14,700	2.64	8.5
	FEA4X30**A*	—	—	TDR&TXV	24,000	0.76	12.00	15.00				24,000	3.86	14,800	2.64	8.5
	FEM4P24**A*+TXV	—	—	TDR	23,600	0.76	12.00				14.50	24,000	3.80	14,700	2.58	8.4
	FEM4P24**A*	—	—	TDR	23,400	0.76	11.50	13.50				24,000	3.80	14,700	2.58	8.5
	FEM4P30**A*+TXV	—	—	TDR	24,000	0.76	12.50				15.00	24,000	3.96	14,700	2.68	8.8
	FEM4P30**A*	—	—	TDR	24,000	0.76	12.00	14.50				24,000	3.96	14,700	2.68	8.5
	FEM4X24****	—	—	TDR&TXV	23,800	0.76	12.00	15.00				24,000	3.84	14,700	2.64	8.5
	FEM4X30****	—	—	TDR&TXV	24,000	0.76	12.50	15.00				24,000	3.98	14,700	2.70	8.8
	FS(M,U)4P24**A*+TXV	—	—	TDR	23,400	0.76	12.00				14.50	24,000	3.82	14,900	2.62	8.3
	FS(M,U)4P24**A*	—	—	TDR	23,800	0.76	11.50	13.50				24,000	3.82	14,900	2.62	8.5
	FS(M,U)4P30**A*+TXV	—	—	TDR	23,400	0.76	12.00				14.50	24,000	3.86	15,000	2.62	8.5
	FS(M,U)4P30**A*	—	—	TDR	24,000	0.76	11.50	13.50				24,000	3.86	15,000	2.62	8.5
	FS(M,U)4X24****	—	—	TDR&TXV	23,400	0.76	11.20	13.50				24,000	3.64	15,100	2.50	8.1
	FS(M,U)4X30****	—	—	TDR&TXV	23,800	0.76	11.20	13.50				24,000	3.74	15,100	2.54	8.3
FSA4X24**A*	—	—	TDR&TXV	23,400	0.76	11.20	13.50				24,000	3.66	15,200	2.50	8.1	
FSA4X30**A*	—	—	TDR&TXV	23,600	0.76	11.20	13.50				24,000	3.66	15,200	2.50	8.2	
FVM4X24****	—	—	TDR&TXV	24,000	0.76	12.50	15.00				24,000	3.94	14,400	2.70	8.7	
FXM4X30**A*	—	—	TDR&TXV	24,000	0.76	12.50	15.00				24,000	3.88	14,500	2.66	8.5	
CXH530GKA	‡FXM4X30**A*	—	TDR&TXV	28,800	0.76	12.50	15.25				28,600	3.98	17,000	2.66	8.7	
	ED*4X30B**	*8MPV050	TDR&TXV	28,000	0.76	11.50	13.50				28,800	3.76	17,400	2.52	8.2	
	ED*4X30B**	*8MV*0701412**	TDR&TXV	27,800	0.76	12.00	14.50				28,200	3.78	16,800	2.58	8.2	
	ED*4X30B**	MV08B15**B*	TDR&TXV	28,200	0.76	12.50	15.00				28,200	3.90	16,700	2.64	8.5	
	ED*4X30B**	†	TXV	28,000	0.76	11.20			13.00		29,200	3.72	17,700	2.50	8.0	
	ED*4X30F**	*8MPV075	TDR&TXV	28,200	0.76	12.00	14.50				28,600	3.88	17,100	2.62	8.2	
	ED*4X30F**	*8MV*0901716**	TDR&TXV	28,000	0.76	12.50	15.00				28,000	3.84	16,600	2.62	8.2	
	ED*4X30F**	*8MX*0701716**	TDR&TXV	28,000	0.76	12.00	14.50				28,400	3.84	17,000	2.60	8.2	
	ED*4X30F**	*9MPV050	TDR&TXV	28,000	0.76	12.00	14.00				28,600	3.78	17,100	2.56	8.2	
	ED*4X30F**	*9MPV075	TDR&TXV	28,000	0.76	12.00	14.00				28,600	3.80	17,100	2.56	8.2	
	ED*4X30F**	*9MVX040	TDR&TXV	28,000	0.76	12.00	14.00				28,600	3.78	17,100	2.56	8.2	

2009 ENERGY STAR compliance for combinations with all three: SEER 14.50 or higher and EER 12.00 or higher and HSPF 8.2 or higher.

† For coils not listed with a matching furnace or blower, coil rating applies with any indoor blower device.

- continued on next page -

**COOLING & HEATING PERFORMANCE FOR COMBINATION RATINGS (continued) Indoor Models**

For complete ratings information, use the AHRI website directory search: [www.AHRIdirectory.org](http://www.AHRIdirectory.org). New ratings may be listed online before Specification Sheets are updated.

Outdoor Model	Current Indoor Model (‡ tested combo)	Furnace Model	Factory Installed	Cool 95° F (35° C)			SEER			Heat 47° F (8.3° C)		Heat 17° F (-8.3° C)		HSPF		
				BTU/hr	S / T	EER	factory	with field TDR	with field R-410A TXV	BTU/hr	COP	BTU/hr	COP			
CXH530GKA (continued)	ED*4X30F**	*9MVX060	TDR&TXV	28,200	0.76	12.00	14.50				28,600	3.84	17,100	2.58	8.2	
	ED*4X30F**	MV12F19**B*	TDR&TXV	28,200	0.76	12.50	15.00				28,000	3.94	16,600	2.66	8.5	
	ED*4X30F**	NOMV106D12*	TDR&TXV	27,800	0.76	12.50	15.00				28,000	3.76	16,600	2.58	8.2	
	ED*4X30F**	OLV098A12A	TDR&TXV	28,000	0.76	12.00	14.50				28,200	3.80	16,900	2.58	8.2	
	ED*4X30F**	OLV112A16A	TDR&TXV	28,200	0.76	12.00	14.50				28,400	3.86	17,000	2.62	8.2	
	ED*4X30F**	OMV098J12A	TDR&TXV	28,000	0.76	12.00	14.50				28,400	3.80	17,000	2.58	8.2	
	ED*4X30F**	OMV112K14A	TDR&TXV	28,000	0.76	12.50	15.00				28,200	3.86	16,800	2.62	8.2	
	ED*4X30F**	†	TXV	28,000	0.76	11.20			13.00			29,200	3.72	17,700	2.50	8.0
	ED*4X36B**	*8MPV050	TDR&TXV	28,000	0.76	11.50	14.00					29,000	3.78	17,400	2.54	8.2
	ED*4X36B**	*8MV*0701412**	TDR&TXV	28,000	0.76	12.00	14.50					28,200	3.82	16,800	2.58	8.2
	ED*4X36B**	MV08B15**B*	TDR&TXV	28,200	0.76	12.50	15.00					28,200	3.92	16,700	2.64	8.5
	ED*4X36B**	†	TXV	28,000	0.76	11.20			13.50			29,200	3.74	17,700	2.50	8.0
	ED*4X36F**	*8MPV075	TDR&TXV	28,400	0.76	12.00	14.50					28,600	3.92	17,100	2.62	8.5
	ED*4X36F**	*8MV*0901716**	TDR&TXV	28,000	0.76	12.50	15.25					28,000	3.86	16,600	2.62	8.5
	ED*4X36F**	*8MX*0701716**	TDR&TXV	28,200	0.76	12.00	14.50					28,400	3.86	17,000	2.60	8.3
	ED*4X36F**	*9MPV050	TDR&TXV	28,000	0.76	12.00	14.50					28,600	3.80	17,100	2.56	8.2
	ED*4X36F**	*9MPV075	TDR&TXV	28,200	0.76	12.00	14.50					28,600	3.84	17,100	2.58	8.2
	ED*4X36F**	*9MVX040	TDR&TXV	28,000	0.76	12.00	14.50					28,600	3.80	17,100	2.56	8.2
	ED*4X36F**	*9MVX060	TDR&TXV	28,200	0.76	12.00	14.50					28,600	3.86	17,100	2.60	8.2
	ED*4X36F**	MV12F19**B*	TDR&TXV	28,400	0.76	12.50	15.00					28,000	3.96	16,600	2.68	8.5
	ED*4X36F**	NOMV106D12*	TDR&TXV	27,800	0.76	12.50	15.00					28,000	3.80	16,600	2.58	8.2
	ED*4X36F**	OLV098A12A	TDR&TXV	28,000	0.76	12.00	14.50					28,400	3.84	16,900	2.60	8.2
	ED*4X36F**	OLV112A16A	TDR&TXV	28,200	0.76	12.50	14.50					28,400	3.90	17,000	2.62	8.2
	ED*4X36F**	OMV098J12A	TDR&TXV	28,000	0.76	12.00	14.50					28,400	3.82	17,000	2.58	8.2
	ED*4X36F**	OMV112K14A	TDR&TXV	28,200	0.76	12.50	15.00					28,200	3.90	16,800	2.64	8.2
	ED*4X36F**	†	TXV	28,000	0.76	11.20			13.50			29,200	3.74	17,700	2.50	8.2
	ED*4X36J**	*8MPV100	TDR&TXV	28,600	0.76	12.50	15.00					28,600	4.02	16,900	2.68	8.5
	ED*4X36J**	*8MPV125	TDR&TXV	28,600	0.76	12.50	15.00					28,400	4.02	16,900	2.70	8.7
	ED*4X36J**	*8MV*1102120**	TDR&TXV	28,000	0.76	12.50	15.00					28,200	3.88	16,700	2.64	8.5
	ED*4X36J**	*8MX*0902116**	TDR&TXV	28,200	0.76	12.50	15.00					28,400	3.96	16,900	2.66	8.5
	ED*4X36J**	*9MPV100	TDR&TXV	28,600	0.76	12.50	15.00					28,600	3.98	17,100	2.66	8.5
	ED*4X36J**	*9MVX080	TDR&TXV	28,600	0.76	12.50	15.00					28,600	4.00	17,100	2.66	8.5
	ED*4X36J**	OLV112A16A	TDR&TXV	28,400	0.76	12.50	15.00					28,400	3.92	16,900	2.64	8.5
	ED*4X36J**	†	TXV	28,000	0.76	11.20			13.50			29,200	3.74	17,700	2.50	8.0
	EHD4X30A**	*8MPV050	TDR&TXV	28,000	0.76	11.50	13.50					28,800	3.78	17,400	2.54	8.2
	EHD4X30A**	*8MPV075	TDR&TXV	28,200	0.76	12.00	14.50					28,600	3.86	17,100	2.60	8.2
EHD4X30A**	*8MPV100	TDR&TXV	28,400	0.76	12.50	15.00					28,400	3.90	16,900	2.62	8.5	
EHD4X30A**	*8MPV125	TDR&TXV	28,400	0.76	12.50	15.00					28,400	3.90	16,900	2.64	8.5	
EHD4X30A**	*8MV*0701412**	TDR&TXV	28,000	0.76	12.00	14.50					28,200	3.82	16,800	2.60	8.2	
EHD4X30A**	*8MV*0901716**	TDR&TXV	28,000	0.76	12.50	15.00					28,200	3.84	16,700	2.60	8.2	
EHD4X30A**	*8MV*1102120**	TDR&TXV	28,000	0.76	12.50	15.00					28,200	3.86	16,800	2.62	8.2	
EHD4X30A**	*8MV*1352422**	TDR&TXV	28,000	0.76	12.50	15.00					28,200	3.86	16,700	2.62	8.2	

2009 ENERGY STAR compliance for combinations with all three: SEER 14.50 or higher and EER 12.00 or higher and HSPF 8.2 or higher.

† For coils not listed with a matching furnace or blower, coil rating applies with any indoor blower device.

- continued on next page -

## COOLING & HEATING PERFORMANCE FOR COMBINATION RATINGS (continued) Indoor Models

For complete ratings information, use the AHRI website directory search: [www.AHRIdirectory.org](http://www.AHRIdirectory.org). New ratings may be listed online before Specification Sheets are updated.

Outdoor Model	Current Indoor Model (‡ tested combo)	Furnace Model	Factory Installed	Cool 95° F (35° C)			SEER			Heat 47° F (8.3° C)		Heat 17° F (-8.3° C)		HSPF	
				BTU/hr	S / T	EER	factory	with field TDR	with field R-410A TXV	BTU/hr	COP	BTU/hr	COP		
CXH530GKA (continued)	EHD4X30A**	*8MX*0701716**	TDR&TXV	28,000	0.76	12.00	14.50				28,400	3.82	17,000	2.58	8.2
	EHD4X30A**	*8MX*0902116**	TDR&TXV	28,000	0.76	12.00	14.50				28,400	3.86	16,900	2.60	8.2
	EHD4X30A**	*9MPV050	TDR&TXV	28,000	0.76	12.00	14.00				28,600	3.76	17,100	2.54	8.2
	EHD4X30A**	*9MPV075	TDR&TXV	28,000	0.76	12.00	14.00				28,600	3.78	17,100	2.56	8.1
	EHD4X30A**	*9MPV100	TDR&TXV	28,200	0.76	12.00	14.50				28,400	3.86	17,000	2.60	8.2
	EHD4X30A**	*9MPV125	TDR&TXV	28,200	0.76	12.50	14.50				28,400	3.88	16,900	2.62	8.2
	EHD4X30A**	*9MVX040	TDR&TXV	28,000	0.76	12.00	14.00				28,600	3.76	17,100	2.54	8.0
	EHD4X30A**	*9MVX060	TDR&TXV	28,200	0.76	12.00	14.50				28,600	3.82	17,100	2.56	8.1
	EHD4X30A**	*9MVX080	TDR&TXV	28,400	0.76	12.00	14.50				28,600	3.90	17,100	2.62	8.3
	EHD4X30A**	*9MVX100	TDR&TXV	28,200	0.76	12.50	14.50				28,400	3.86	16,800	2.62	8.2
	EHD4X30A**	MV08B15**B*	TDR&TXV	28,200	0.76	12.50	15.00				28,200	3.92	16,800	2.64	8.3
	EHD4X30A**	MV12F19**B*	TDR&TXV	28,200	0.76	12.50	15.00				28,000	3.94	16,700	2.66	8.3
	EHD4X30A**	NOMV106D12*	TDR&TXV	27,800	0.76	12.50	14.50				28,000	3.78	16,700	2.58	8.2
	EHD4X30A**	OLV098A12A	TDR&TXV	28,000	0.76	12.00	14.50				28,400	3.80	17,000	2.58	8.2
	EHD4X30A**	OLV112A16A	TDR&TXV	28,400	0.76	12.00	14.50				28,400	3.88	17,100	2.60	8.2
	EHD4X30A**	OMV098J12A	TDR&TXV	28,000	0.76	12.00	14.50				28,600	3.82	17,100	2.58	8.2
	EHD4X30A**	OMV112K14A	TDR&TXV	28,200	0.76	12.50	14.50				28,400	3.86	16,900	2.60	8.2
	EHD4X30A**	†	TXV	28,000	0.76	11.20			13.00		29,200	3.76	17,700	2.52	8.0
	EHD4X36A**	*8MPV050	TDR&TXV	28,200	0.76	11.50	14.00				29,200	3.92	17,600	2.60	8.2
	EHD4X36A**	*8MPV075	TDR&TXV	28,400	0.76	12.00	14.50				28,600	4.02	17,200	2.66	8.3
	EHD4X36A**	*8MPV100	TDR&TXV	28,600	0.76	12.50	15.00				28,600	4.08	17,000	2.70	8.5
	EHD4X36A**	*8MPV125	TDR&TXV	28,600	0.76	12.50	15.00				28,400	4.10	17,000	2.70	8.5
	EHD4X36A**	*8MV*0701412**	TDR&TXV	28,000	0.76	12.00	14.50				28,400	3.94	16,900	2.64	8.2
	EHD4X36A**	*8MV*0901716**	TDR&TXV	28,000	0.76	12.50	15.25				28,200	3.98	16,800	2.66	8.5
	EHD4X36A**	*8MV*1102120**	TDR&TXV	28,000	0.76	12.50	15.00				28,400	3.98	16,800	2.66	8.5
	EHD4X36A**	*8MV*1352422**	TDR&TXV	28,000	0.76	12.50	15.00				28,400	3.98	16,800	2.68	8.3
	EHD4X36A**	*8MX*0701716**	TDR&TXV	28,200	0.76	12.00	14.50				28,600	3.96	17,100	2.64	8.3
	EHD4X36A**	*8MX*0902116**	TDR&TXV	28,200	0.76	12.50	15.00				28,600	4.02	17,000	2.68	8.5
	EHD4X36A**	*9MPV050	TDR&TXV	28,000	0.76	12.00	14.50				28,600	3.92	17,200	2.60	8.1
	EHD4X36A**	*9MPV075	TDR&TXV	28,200	0.76	12.00	14.50				28,600	3.94	17,200	2.62	8.2
	EHD4X36A**	*9MPV100	TDR&TXV	28,600	0.76	12.50	15.00				28,600	4.04	17,100	2.68	8.4
	EHD4X36A**	*9MPV125	TDR&TXV	29,000	0.76	12.50	15.00				28,600	4.06	17,000	2.70	8.6
	EHD4X36A**	*9MVX040	TDR&TXV	28,000	0.76	12.00	14.50				28,600	3.92	17,200	2.60	8.1
EHD4X36A**	*9MVX060	TDR&TXV	28,200	0.76	12.00	14.50				28,600	3.96	17,300	2.64	8.2	
EHD4X36A**	*9MVX080	TDR&TXV	28,600	0.76	12.50	15.00				28,600	4.08	17,200	2.70	8.4	
EHD4X36A**	*9MVX100	TDR&TXV	28,800	0.76	12.50	15.00				28,600	4.04	17,000	2.68	8.5	
EHD4X36A**	MV08B15**B*	TDR&TXV	28,200	0.76	12.50	15.00				28,400	4.04	16,800	2.70	8.4	
EHD4X36A**	MV12F19**B*	TDR&TXV	28,400	0.76	12.50	15.00				28,000	4.08	16,700	2.72	8.4	
EHD4X36A**	NOMV106D12*	TDR&TXV	28,200	0.76	12.50	15.00				28,200	3.90	16,700	2.62	8.4	
EHD4X36A**	OLV098A12A	TDR&TXV	28,600	0.76	12.50	15.00				28,600	3.94	17,000	2.64	8.5	
EHD4X36A**	OLV112A16A	TDR&TXV	28,800	0.76	12.50	15.00				28,600	4.00	17,100	2.66	8.5	
EHD4X36A**	OMV098J12A	TDR&TXV	28,600	0.76	12.50	14.50				28,600	3.94	17,100	2.62	8.5	

2009 ENERGY STAR compliance for combinations with all three: SEER 14.50 or higher and EER 12.00 or higher and HSPF 8.2 or higher.

† For coils not listed with a matching furnace or blower, coil rating applies with any indoor blower device.

- continued on next page -

**COOLING & HEATING PERFORMANCE FOR COMBINATION RATINGS (continued) Indoor Models**

For complete ratings information, use the AHRI website directory search: [www.AHRIdirectory.org](http://www.AHRIdirectory.org). New ratings may be listed online before Specification Sheets are updated.

Outdoor Model	Current Indoor Model (‡ tested combo)	Furnace Model	Factory Installed	Cool 95° F (35° C)			SEER			Heat 47° F (8.3° C)		Heat 17° F (-8.3° C)		HSPF	
				BTU/hr	S / T	EER	factory	with field TDR	with field R-410A TXV	BTU/hr	COP	BTU/hr	COP		
CXH530GKA (continued)	EHD4X36A**	OMV112K14A	TDR&TXV	28,800	0.76	12.50	15.00				28,400	4.00	16,900	2.68	8.5
	EHD4X36A**	†	TXV	28,000	0.76	11.20		13.50			29,200	3.86	17,800	2.54	8.2
	EMA4X36D**	†	TXV	28,000	0.76	11.20		13.50			29,200	3.74	17,700	2.50	8.0
	EN(A,D)4X30*14**	*8MV*0701412**	TDR&TXV	27,800	0.76	12.00	14.50				28,200	3.78	16,800	2.58	8.2
	EN(A,D)4X30*14**	†	TXV	28,000	0.76	11.20		13.00			29,200	3.74	17,700	2.50	8.0
	EN(A,D)4X30*17**	*8MV*0901716**	TDR&TXV	28,000	0.76	12.50	15.00				28,000	3.84	16,700	2.62	8.2
	EN(A,D)4X30*17**	*8MX*0701716**	TDR&TXV	28,000	0.76	12.00	14.50				28,400	3.84	17,000	2.58	8.2
	EN(A,D)4X30*17**	*9MPV050	TDR&TXV	27,800	0.76	12.00	14.00				28,600	3.78	17,100	2.56	8.2
	EN(A,D)4X30*17**	*9MPV075	TDR&TXV	28,000	0.76	12.00	14.00				28,600	3.80	17,100	2.56	8.2
	EN(A,D)4X30*17**	*9MVX040	TDR&TXV	28,000	0.76	12.00	14.00				28,600	3.78	17,100	2.56	8.2
	EN(A,D)4X30*17**	*9MVX060	TDR&TXV	28,000	0.76	12.00	14.50				28,600	3.82	17,100	2.58	8.2
	EN(A,D)4X30*17**	NOMV106D12*	TDR&TXV	27,800	0.76	12.50	15.00				28,000	3.78	16,600	2.58	8.2
	EN(A,D)4X30*17**	OLV098A12A	TDR&TXV	28,000	0.76	12.00	14.50				28,400	3.80	16,900	2.58	8.2
	EN(A,D)4X30*17**	OMV098J12A	TDR&TXV	28,000	0.76	12.00	14.50				28,400	3.80	17,000	2.58	8.2
	EN(A,D)4X30*17**	OMV112K14A	TDR&TXV	28,000	0.76	12.50	15.00				28,200	3.86	16,800	2.62	8.2
	EN(A,D)4X30*17**	†	TXV	28,000	0.76	11.20		13.00			29,200	3.74	17,700	2.50	8.0
	EN(A,D)4X31*17**	*8MV*0901716**	TDR&TXV	28,600	0.76	12.50	15.50				28,400	4.02	16,800	2.68	8.6
	EN(A,D)4X31*17**	*8MX*0701716**	TDR&TXV	28,800	0.76	12.50	15.00				28,800	4.02	17,100	2.66	8.6
	EN(A,D)4X31*17**	*9MPV050	TDR&TXV	28,600	0.76	12.00	14.50				28,800	3.96	17,200	2.62	8.5
	EN(A,D)4X31*17**	*9MPV075	TDR&TXV	28,600	0.76	12.00	14.50				29,000	3.98	17,300	2.62	8.5
	EN(A,D)4X31*17**	*9MVX040	TDR&TXV	28,600	0.76	12.00	14.50				28,800	3.94	17,200	2.62	8.5
	EN(A,D)4X31*17**	*9MVX060	TDR&TXV	28,800	0.76	12.50	14.50				29,000	4.02	17,300	2.64	8.5
	EN(A,D)4X31*17**	NOMV106D12*	TDR&TXV	28,400	0.76	12.50	15.00				28,200	3.94	16,700	2.64	8.5
	EN(A,D)4X31*17**	OLV098A12A	TDR&TXV	28,600	0.76	12.50	15.00				28,600	3.98	17,000	2.64	8.5
	EN(A,D)4X31*17**	OMV098J12A	TDR&TXV	28,600	0.76	12.50	14.50				28,800	3.98	17,100	2.64	8.5
	EN(A,D)4X31*17**	OMV112K14A	TDR&TXV	28,800	0.76	12.50	15.00				28,600	4.04	16,900	2.68	8.5
	EN(A,D)4X31*17**	†	TXV	28,800	0.76	11.50		13.50			29,600	3.90	17,800	2.56	8.3
	EN(A,D)4X36*21**	*8MV*1102120**	TDR&TXV	28,000	0.76	12.50	15.00				28,200	3.86	16,700	2.62	8.5
	EN(A,D)4X36*21**	*8MX*0902116**	TDR&TXV	28,200	0.76	12.50	15.00				28,400	3.88	16,900	2.62	8.5
	EN(A,D)4X36*21**	*9MPV050	TDR&TXV	28,000	0.76	12.00	14.00				28,600	3.78	17,100	2.56	8.2
	EN(A,D)4X36*21**	*9MPV075	TDR&TXV	28,000	0.76	12.00	14.00				28,600	3.80	17,100	2.56	8.2
	EN(A,D)4X36*21**	*9MPV100	TDR&TXV	28,200	0.76	12.50	14.50				28,400	3.88	17,000	2.62	8.2
	EN(A,D)4X36*21**	*9MVX040	TDR&TXV	28,000	0.76	12.00	14.00				28,600	3.78	17,100	2.56	8.2
	EN(A,D)4X36*21**	*9MVX060	TDR&TXV	28,200	0.76	12.00	14.50				28,600	3.84	17,100	2.58	8.2
EN(A,D)4X36*21**	*9MVX080	TDR&TXV	28,400	0.76	12.50	14.50				28,600	3.92	17,100	2.64	8.5	
EN(A,D)4X36*21**	OLV098A12A	TDR&TXV	28,000	0.76	12.00	14.50				28,400	3.82	16,900	2.58	8.2	
EN(A,D)4X36*21**	OLV112A16A	TDR&TXV	28,200	0.76	12.00	14.50				28,400	3.88	17,000	2.62	8.2	
EN(A,D)4X36*21**	OMV098J12A	TDR&TXV	28,000	0.76	12.00	14.50				28,400	3.80	17,000	2.58	8.2	
EN(A,D)4X36*21**	OMV112K14A	TDR&TXV	28,200	0.76	12.50	15.00				28,200	3.88	16,800	2.62	8.2	
EN(A,D)4X36*21**	†	TXV	28,000	0.76	11.20		13.50			29,200	3.74	17,700	2.50	8.2	
EN(A,D)4X37*17**	*8MV*0901716**	TDR&TXV	29,000	0.76	13.00	15.50				28,400	4.12	16,800	2.72	8.8	
EN(A,D)4X37*17**	*8MX*0701716**	TDR&TXV	29,200	0.76	12.50	15.25				28,800	4.14	17,200	2.70	8.8	

2009 ENERGY STAR compliance for combinations with all three: SEER 14.50 or higher and EER 12.00 or higher and HSPF 8.2 or higher.

† For coils not listed with a matching furnace or blower, coil rating applies with any indoor blower device.

- continued on next page -

**COOLING & HEATING PERFORMANCE FOR COMBINATION RATINGS (continued) Indoor Models**

For complete ratings information, use the AHRI website directory search: [www.AHRIdirectory.org](http://www.AHRIdirectory.org). New ratings may be listed online before Specification Sheets are updated.

Outdoor Model	Current Indoor Model (‡ tested combo)	Furnace Model	Factory Installed	Cool 95° F (35° C)			SEER			Heat 47° F (8.3° C)		Heat 17° F (-8.3° C)		HSPF	
				BTU/hr	S / T	EER	factory	with field TDR	with field R-410A TXV	BTU/hr	COP	BTU/hr	COP		
CXH530GKA (continued)	EN(A,D)4X37*17**	NOMV106D12*	TDR&TXV	28,600	0.76	12.50	15.00				28,400	4.04	16,800	2.68	8.5
	EN(A,D)4X37*17**	†	TXV	29,000	0.76	11.50		14.00			29,400	3.96	17,900	2.58	8.4
	EN(A,D,W)4X36*17**	*8MV*0901716**	TDR&TXV	28,000	0.76	12.50	15.25				28,000	3.84	16,700	2.62	8.5
	EN(A,D,W)4X36*17**	*8MX*0701716**	TDR&TXV	28,000	0.76	12.00	14.50				28,400	3.84	17,000	2.58	8.3
	EN(A,D,W)4X36*17**	*9MPV050	TDR&TXV	27,800	0.76	12.00	14.00				28,600	3.78	17,100	2.56	8.2
	EN(A,D,W)4X36*17**	*9MPV075	TDR&TXV	28,000	0.76	12.00	14.00				28,600	3.80	17,100	2.56	8.2
	EN(A,D,W)4X36*17**	*9MVX040	TDR&TXV	28,000	0.76	12.00	14.00				28,600	3.78	17,100	2.56	8.2
	EN(A,D,W)4X36*17**	*9MVX060	TDR&TXV	28,000	0.76	12.00	14.50				28,600	3.82	17,100	2.58	8.2
	EN(A,D,W)4X36*17**	NOMV106D12*	TDR&TXV	27,800	0.76	12.50	15.00				28,000	3.78	16,600	2.58	8.2
	EN(A,D,W)4X36*17**	OLV098A12A	TDR&TXV	28,000	0.76	12.00	14.50				28,400	3.80	16,900	2.58	8.2
	EN(A,D,W)4X36*17**	OMV098J12A	TDR&TXV	28,000	0.76	12.00	14.50				28,400	3.80	17,000	2.58	8.2
	EN(A,D,W)4X36*17**	OMV112K14A	TDR&TXV	28,000	0.76	12.50	15.00				28,200	3.86	16,800	2.62	8.2
	EN(A,D,W)4X36*17**	†	TXV	28,000	0.76	11.20		13.50			29,200	3.74	17,700	2.50	8.2
	ENH4X30*17**	*8MV*0701412**	TDR&TXV	28,000	0.76	12.00	14.50				28,200	3.82	16,800	2.58	8.2
	ENH4X30*17**	*8MV*0901716**	TDR&TXV	28,000	0.76	12.50	15.00				28,000	3.84	16,700	2.62	8.2
	ENH4X30*17**	*8MV*1102120**	TDR&TXV	28,000	0.76	12.50	15.00				28,200	3.86	16,700	2.62	8.2
	ENH4X30*17**	*8MV*1352422**	TDR&TXV	28,000	0.76	12.50	15.00				28,200	3.86	16,700	2.62	8.2
	ENH4X30*17**	*8MX*0701716**	TDR&TXV	28,000	0.76	12.00	14.50				28,400	3.84	17,000	2.58	8.2
	ENH4X30*17**	*8MX*0902116**	TDR&TXV	28,000	0.76	12.00	14.50				28,400	3.86	16,900	2.62	8.2
	ENH4X30*17**	*9MPV050	TDR&TXV	27,800	0.76	12.00	14.00				28,600	3.78	17,100	2.56	8.2
	ENH4X30*17**	*9MPV075	TDR&TXV	28,000	0.76	12.00	14.00				28,600	3.80	17,100	2.56	8.2
	ENH4X30*17**	*9MVX040	TDR&TXV	28,000	0.76	12.00	14.00				28,600	3.78	17,100	2.56	8.2
	ENH4X30*17**	*9MVX060	TDR&TXV	28,000	0.76	12.00	14.50				28,600	3.82	17,100	2.58	8.2
	ENH4X30*17**	NOMV106D12*	TDR&TXV	27,800	0.76	12.50	15.00				28,000	3.78	16,600	2.58	8.2
	ENH4X30*17**	OLV098A12A	TDR&TXV	28,000	0.76	12.00	14.50				28,400	3.80	16,900	2.58	8.2
	ENH4X30*17**	OLV112A16A	TDR&TXV	28,200	0.76	12.00	14.50				28,400	3.88	17,000	2.60	8.2
	ENH4X30*17**	OMV098J12A	TDR&TXV	28,000	0.76	12.00	14.50				28,400	3.80	17,000	2.58	8.2
	ENH4X30*17**	OMV112K14A	TDR&TXV	28,000	0.76	12.50	15.00				28,200	3.86	16,800	2.62	8.2
	ENH4X30*17**	†	TXV	28,000	0.76	11.20		13.00			29,200	3.74	17,700	2.50	8.0
	ENH4X31*17**	*9MPV050	TDR&TXV	28,600	0.76	12.00	14.50				28,800	3.96	17,200	2.62	8.5
	ENH4X31*17**	*9MPV075	TDR&TXV	28,600	0.76	12.00	14.50				29,000	3.98	17,300	2.62	8.5
	ENH4X31*17**	*9MVX040	TDR&TXV	28,600	0.76	12.00	14.50				28,800	3.94	17,200	2.62	8.5
ENH4X31*17**	*9MVX060	TDR&TXV	28,800	0.76	12.50	14.50				29,000	4.02	17,300	2.64	8.5	
ENH4X31*17**	NOMV106D12*	TDR&TXV	28,400	0.76	12.50	15.00				28,200	3.94	16,700	2.64	8.5	
ENH4X31*17**	OLV098A12A	TDR&TXV	28,600	0.76	12.50	15.00				28,600	3.98	17,000	2.64	8.5	
ENH4X31*17**	OLV112A16A	TDR&TXV	28,800	0.76	12.50	15.00				28,800	4.06	17,100	2.68	8.5	
ENH4X31*17**	OMV098J12A	TDR&TXV	28,600	0.76	12.50	14.50				28,800	3.98	17,100	2.64	8.5	
ENH4X31*17**	OMV112K14A	TDR&TXV	28,800	0.76	12.50	15.00				28,600	4.04	16,900	2.68	8.5	
ENH4X36*17**	*8MV*0701412**	TDR&TXV	28,000	0.76	12.00	14.50				28,200	3.82	16,800	2.58	8.2	
ENH4X36*17**	*8MV*0901716**	TDR&TXV	28,000	0.76	12.50	15.25				28,000	3.84	16,700	2.62	8.5	
ENH4X36*17**	*8MV*1102120**	TDR&TXV	28,000	0.76	12.50	15.00				28,200	3.86	16,700	2.62	8.5	
ENH4X36*17**	*8MV*1352422**	TDR&TXV	28,000	0.76	12.50	15.00				28,200	3.86	16,700	2.62	8.2	

2009 ENERGY STAR compliance for combinations with all three: SEER 14.50 or higher and EER 12.00 or higher and HSPF 8.2 or higher.  
 † For coils not listed with a matching furnace or blower, coil rating applies with any indoor blower device.

- continued on next page -

**COOLING & HEATING PERFORMANCE FOR COMBINATION RATINGS (continued) Indoor Models**

For complete ratings information, use the AHRI website directory search: [www.AHRIdirectory.org](http://www.AHRIdirectory.org). New ratings may be listed online before Specification Sheets are updated.

Outdoor Model	Current Indoor Model (‡ tested combo)	Furnace Model	Factory Installed	Cool 95° F (35° C)			SEER			Heat 47° F (8.3° C)		Heat 17° F (-8.3° C)		HSPF	
				BTU/hr	S / T	EER	factory	with field TDR	with field R-410A TXV	BTU/hr	COP	BTU/hr	COP		
CXH530GKA (continued)	ENH4X36*17**	*8MX*0701716**	TDR&TXV	28,000	0.76	12.00	14.50				28,400	3.84	17,000	2.58	8.3
	ENH4X36*17**	*8MX*0902116**	TDR&TXV	28,200	0.76	12.50	15.00				28,400	3.86	16,900	2.62	8.5
	ENH4X36*17**	*9MPV050	TDR&TXV	27,800	0.76	12.00	14.00				28,600	3.78	17,100	2.56	8.2
	ENH4X36*17**	*9MPV075	TDR&TXV	28,000	0.76	12.00	14.00				28,600	3.80	17,100	2.56	8.2
	ENH4X36*17**	*9MVX040	TDR&TXV	28,000	0.76	12.00	14.00				28,600	3.78	17,100	2.56	8.2
	ENH4X36*17**	*9MVX060	TDR&TXV	28,000	0.76	12.00	14.50				28,600	3.82	17,100	2.58	8.2
	ENH4X36*17**	NOMV106D12*	TDR&TXV	27,800	0.76	12.50	15.00				28,000	3.78	16,600	2.58	8.2
	ENH4X36*17**	OLV098A12A	TDR&TXV	28,000	0.76	12.00	14.50				28,400	3.80	16,900	2.58	8.2
	ENH4X36*17**	OLV112A16A	TDR&TXV	28,200	0.76	12.00	14.50				28,400	3.88	17,000	2.60	8.2
	ENH4X36*17**	OMV098J12A	TDR&TXV	28,000	0.76	12.00	14.50				28,400	3.80	17,000	2.58	8.2
	ENH4X36*17**	OMV112K14A	TDR&TXV	28,000	0.76	12.50	15.00				28,200	3.86	16,800	2.62	8.2
	ENH4X36*17**	†	TXV	28,000	0.76	11.20			13.50		29,200	3.74	17,700	2.50	8.2
	FEA4X30**A*	—	TDR&TXV	28,200	0.76	12.00	14.50				28,600	3.86	17,100	2.60	8.2
	FEA4X36**A*	—	TDR&TXV	28,400	0.76	12.00	14.00				28,800	3.86	17,300	2.60	8.2
	FEM4P30**A*+TXV	—	TDR	28,200	0.76	12.00				14.50	28,600	3.88	17,100	2.60	8.2
	FEM4P30**A*	—	TDR	28,200	0.76	12.00	13.50				28,600	3.88	17,100	2.60	8.2
	FEM4P36**A*+TXV	—	TDR	28,200	0.76	12.00				14.50	28,600	3.88	17,100	2.60	8.2
	FEM4P36**A*	—	TDR	28,200	0.76	12.00	13.50				28,600	3.88	17,100	2.60	8.2
	FEM4X30****	—	TDR&TXV	28,200	0.76	12.00	14.50				28,600	3.90	17,100	2.60	8.3
	FEM4X36****	—	TDR&TXV	28,800	0.76	12.00	14.50				29,000	4.00	17,400	2.62	8.5
	FS(M,U)4P30**A*+TXV	—	TDR	28,400	0.76	12.00				14.50	28,800	3.88	17,300	2.58	8.2
	FS(M,U)4P30**A*	—	TDR	28,400	0.76	11.50	13.50				28,800	3.88	17,300	2.60	8.2
	FS(M,U)4P36**A*+TXV	—	TDR	28,200	0.76	11.50				14.00	29,000	3.80	17,400	2.54	8.2
	FS(M,U)4P36**A*	—	TDR	28,200	0.76	11.50	13.00				29,000	3.82	17,400	2.56	8.2
	FS(M,U)4X30****	—	TDR&TXV	27,800	0.76	11.20	13.00				29,000	3.72	17,500	2.50	8.0
	FSA4X30**A*	—	TDR&TXV	27,600	0.76	11.20	13.00				29,000	3.68	17,500	2.48	8.0
	FSA4X36**A*	—	TDR&TXV	28,200	0.76	11.50	13.00				29,200	3.74	17,600	2.50	8.0
	FSM4X36****	—	TDR&TXV	28,600	0.76	11.50	13.50				29,400	3.84	17,800	2.54	8.2
	FSU4X36****	—	TDR&TXV	28,000	0.76	11.20	13.00				29,200	3.72	17,700	2.48	7.9
	FVM4X24****	—	TDR&TXV	28,200	0.76	12.50	15.00				28,200	3.92	16,800	2.62	8.5
	FVM4X36****	—	TDR&TXV	28,400	0.76	12.50	15.50				28,000	3.94	16,600	2.66	8.5
	FVM4X48****	—	TDR&TXV	29,000	0.76	12.50	15.50				28,000	4.16	16,800	2.74	8.7
FXM4X36**A*	—	TDR&TXV	28,800	0.76	12.50	15.50				28,200	4.04	16,700	2.70	8.5	
‡FXM4X36**A*	—	TDR&TXV	34,800	0.78	12.50	15.00				35,400	3.92	21,400	2.64	8.7	
ED*4X36B**	*8MPV050	TDR&TXV	33,000	0.78	11.00	13.00				35,000	3.50	21,600	2.44	8.0	
ED*4X36B**	*8MV*0701412**	TDR&TXV	33,200	0.78	11.50	14.00				34,600	3.60	21,200	2.50	8.0	
ED*4X36B**	*8MX*0451408**	TDR&TXV	33,200	0.78	11.00	13.50				35,000	3.56	21,600	2.46	7.9	
ED*4X36B**	MV08B15**B*	TDR&TXV	33,600	0.78	12.00	14.50				34,600	3.70	21,000	2.56	8.2	
ED*4X36B**	†	TXV	33,200	0.78	11.00			13.00		35,400	3.56	21,800	2.44	7.9	
ED*4X36F**	*8MPV075	TDR&TXV	33,600	0.78	11.50	14.00				35,000	3.68	21,400	2.52	8.2	
ED*4X36F**	*8MV*0901716**	TDR&TXV	33,400	0.78	12.00	14.50				34,400	3.66	21,000	2.54	8.2	

2009 ENERGY STAR compliance for combinations with all three: SEER 14.50 or higher and EER 12.00 or higher and HSPF 8.2 or higher.

† For coils not listed with a matching furnace or blower, coil rating applies with any indoor blower device.

- continued on next page -

**COOLING & HEATING PERFORMANCE FOR COMBINATION RATINGS (continued) Indoor Models**

For complete ratings information, use the AHRI website directory search: [www.AHRIdirectory.org](http://www.AHRIdirectory.org). New ratings may be listed online before Specification Sheets are updated.

Outdoor Model	Current Indoor Model (‡ tested combo)	Furnace Model	Factory Installed	Cool 95° F (35° C)			SEER			Heat 47° F (8.3° C)		Heat 17° F (-8.3° C)		HSPF	
				BTU/hr	S / T	EER	factory	with field TDR	with field R-410A TXV	BTU/hr	COP	BTU/hr	COP		
CXH536GKA (continued)	ED*4X36F**	*8MX*0701716**	TDR&TXV	33,400	0.78	11.50	14.00				34,800	3.64	21,400	2.50	8.0
	ED*4X36F**	*9MPV050	TDR&TXV	33,200	0.78	11.20	13.50				35,200	3.56	21,600	2.46	8.0
	ED*4X36F**	*9MPV075	TDR&TXV	33,400	0.78	11.50	13.50				35,000	3.60	21,600	2.48	8.2
	ED*4X36F**	*9MVX040	TDR&TXV	33,200	0.78	11.20	13.50				35,200	3.56	21,600	2.46	8.0
	ED*4X36F**	*9MVX060	TDR&TXV	33,400	0.78	11.50	13.50				35,200	3.64	21,600	2.50	8.2
	ED*4X36F**	MV12F19**B*	TDR&TXV	33,800	0.78	12.00	14.50				34,400	3.76	20,800	2.58	8.2
	ED*4X36F**	NOMV106D12*	TDR&TXV	33,200	0.78	11.50	14.00				34,400	3.60	21,000	2.50	8.0
	ED*4X36F**	OLV098A12A	TDR&TXV	33,200	0.78	11.50	13.50				34,800	3.58	21,200	2.48	8.0
	ED*4X36F**	OLV112A16A	TDR&TXV	33,600	0.78	11.50	14.00				35,000	3.66	21,400	2.52	8.2
	ED*4X36F**	OMV098J12A	TDR&TXV	33,200	0.78	11.50	13.50				34,800	3.60	21,400	2.48	8.0
	ED*4X36F**	OMV112K14A	TDR&TXV	33,400	0.78	12.00	14.00				34,800	3.64	21,200	2.52	8.0
	ED*4X36F**	†	TXV	33,600	0.78	11.00			13.00		35,800	3.62	22,200	2.46	8.0
	ED*4X36J**	*8MPV100	TDR&TXV	34,200	0.78	12.00	14.50				35,200	3.82	21,400	2.60	8.5
	ED*4X36J**	*8MPV125	TDR&TXV	34,200	0.78	12.00	14.50				35,000	3.82	21,400	2.60	8.5
	ED*4X36J**	*8MV*1102120**	TDR&TXV	33,400	0.78	12.00	14.50				34,400	3.70	21,000	2.56	8.2
	ED*4X36J**	*8MX*0902116**	TDR&TXV	33,800	0.78	12.00	14.50				34,600	3.76	21,000	2.58	8.2
	ED*4X36J**	*8MX*1102120**	TDR&TXV	34,000	0.78	12.00	14.50				34,800	3.80	21,200	2.60	8.3
	ED*4X36J**	*9MPV100	TDR&TXV	34,000	0.78	12.00	14.00				35,200	3.76	21,600	2.56	8.5
	ED*4X36J**	*9MVX080	TDR&TXV	34,000	0.78	11.50	14.00				35,200	3.78	21,600	2.58	8.5
	ED*4X36J**	MV16J22**B*	TDR&TXV	33,800	0.78	12.50	15.00				34,400	3.78	20,800	2.60	8.5
	ED*4X36J**	NOMV156E19*	TDR&TXV	33,400	0.78	12.00	14.50				34,400	3.66	20,800	2.54	8.2
	ED*4X36J**	OLV112A16A	TDR&TXV	33,600	0.78	12.00	14.00				34,800	3.68	21,200	2.54	8.2
	ED*4X36J**	†	TXV	33,600	0.78	11.00			13.00		35,800	3.62	22,200	2.46	8.0
	ED*4X42F**	*8MPV075	TDR&TXV	34,000	0.78	11.50	14.00				35,200	3.74	21,400	2.56	8.2
	ED*4X42F**	*9MPV050	TDR&TXV	33,400	0.78	11.20	13.50				35,200	3.62	21,800	2.48	8.2
	ED*4X42F**	*9MPV075	TDR&TXV	33,600	0.78	11.50	13.50				35,200	3.66	21,600	2.50	8.2
	ED*4X42F**	*9MVX040	TDR&TXV	33,400	0.78	11.20	13.50				35,200	3.62	21,600	2.48	8.2
	ED*4X42F**	*9MVX060	TDR&TXV	33,800	0.78	11.50	13.50				35,200	3.68	21,600	2.52	8.2
	ED*4X42F**	MV12F19**B*	TDR&TXV	34,000	0.78	12.50	15.00				34,600	3.80	21,000	2.62	8.5
	ED*4X42F**	OLV098A12A	TDR&TXV	33,400	0.78	11.50	14.00				34,800	3.62	21,400	2.50	8.0
	ED*4X42F**	OLV112A16A	TDR&TXV	33,800	0.78	12.00	14.00				35,000	3.72	21,400	2.54	8.2
	ED*4X42F**	OMV098J12A	TDR&TXV	33,600	0.78	11.50	13.50				35,000	3.64	21,400	2.50	8.0
ED*4X42F**	OMV112K14A	TDR&TXV	33,600	0.78	12.00	14.00				34,800	3.70	21,200	2.54	8.2	
ED*4X42F**	†	TXV	33,800	0.78	11.00			13.00		35,400	3.66	22,200	2.48	8.2	
ED*4X42J**	*8MPV100	TDR&TXV	34,400	0.78	12.00	14.50				35,200	3.86	21,600	2.62	8.5	
ED*4X42J**	*8MPV125	TDR&TXV	34,400	0.78	12.00	14.50				35,200	3.86	21,400	2.62	8.5	
ED*4X42J**	*8MV*1102120**	TDR&TXV	33,800	0.78	12.00	14.50				34,600	3.74	21,000	2.58	8.2	
ED*4X42J**	*8MX*0902116**	TDR&TXV	34,000	0.78	12.00	14.50				34,800	3.80	21,200	2.60	8.5	
ED*4X42J**	*8MX*1102120**	TDR&TXV	34,200	0.78	12.00	14.50				34,800	3.84	21,200	2.62	8.5	
ED*4X42J**	*9MPV100	TDR&TXV	34,200	0.78	12.00	14.00				35,200	3.80	21,600	2.58	8.5	
ED*4X42J**	*9MVX080	TDR&TXV	34,400	0.78	12.00	14.00				35,400	3.82	21,600	2.60	8.5	
ED*4X42J**	MV16J22**B*	TDR&TXV	34,000	0.78	12.50	15.00				34,400	3.82	20,800	2.62	8.5	

2009 ENERGY STAR compliance for combinations with all three: SEER 14.50 or higher and EER 12.00 or higher and HSPF 8.2 or higher.  
 † For coils not listed with a matching furnace or blower, coil rating applies with any indoor blower device.

- continued on next page -

PRODUCT SPECIFICATIONS

Split System Heat Pump: CXH5

**COOLING & HEATING PERFORMANCE FOR COMBINATION RATINGS (continued) Indoor Models**

For complete ratings information, use the AHRI website directory search: [www.AHRI.org](http://www.AHRI.org). New ratings may be listed online before Specification Sheets are updated.

Outdoor Model	Current Indoor Model (‡ tested combo)	Furnace Model	Factory Installed	Cool 95° F (35° C)			SEER			Heat 47° F (8.3° C)		Heat 17° F (-8.3° C)		HSPF	
				BTU/hr	S / T	EER	factory	with field TDR	with field R-410A TXV	BTU/hr	COP	BTU/hr	COP		
CXH536GKA (continued)	ED*4X42J**	NOMV156E19*	TDR&TXV	33,600	0.78	12.00	14.50				34,600	3.70	21,000	2.56	8.2
	ED*4X42J**	OLV112A16A	TDR&TXV	33,800	0.78	12.00	14.00				35,000	3.72	21,400	2.56	8.2
	ED*4X42J**	†	TXV	33,800	0.78	11.20		13.00			35,800	3.66	22,200	2.48	8.2
	ED*4X42L**	*8MV*1352422**	TDR&TXV	33,800	0.78	12.00	14.50				34,400	3.76	20,800	2.58	8.2
	ED*4X42L**	*9MPV125	TDR&TXV	34,400	0.78	12.00	14.50				35,200	3.84	21,400	2.62	8.5
	ED*4X42L**	*9MVX100	TDR&TXV	34,200	0.78	12.00	14.50				35,000	3.82	21,400	2.60	8.5
	ED*4X42L**	MV20L24**B*	TDR&TXV	34,000	0.78	12.50	15.00				34,400	3.82	20,800	2.62	8.5
	ED*4X42L**	OLV112A16A	TDR&TXV	33,800	0.78	12.00	14.00				35,000	3.74	21,400	2.56	8.2
	ED*4X42L**	OLV154F20A	TDR&TXV	34,600	0.78	12.00	14.50				35,400	3.90	21,600	2.64	8.5
	ED*4X42L**	†	TXV	33,800	0.78	11.20		13.00			35,800	3.66	22,200	2.48	8.2
	EHD4X36A**	*8MPV050	TDR&TXV	33,600	0.78	11.50	13.50				35,200	3.66	21,800	2.50	8.0
	EHD4X36A**	*8MPV075	TDR&TXV	33,600	0.78	11.50	14.00				35,000	3.80	21,600	2.58	8.2
	EHD4X36A**	*8MPV100	TDR&TXV	34,200	0.78	12.00	14.50				35,200	3.90	21,600	2.64	8.5
	EHD4X36A**	*8MPV125	TDR&TXV	34,200	0.78	12.00	14.50				35,000	3.90	21,600	2.64	8.5
	EHD4X36A**	*8MV*0701412**	TDR&TXV	33,400	0.78	12.00	14.00				34,800	3.74	21,200	2.56	8.0
	EHD4X36A**	*8MV*0901716**	TDR&TXV	33,600	0.78	12.00	14.50				34,800	3.80	21,200	2.60	8.2
	EHD4X36A**	*8MV*1102120**	TDR&TXV	33,600	0.78	12.00	14.50				34,800	3.80	21,200	2.60	8.2
	EHD4X36A**	*8MV*1352422**	TDR&TXV	33,600	0.78	12.00	14.50				34,800	3.80	21,000	2.60	8.2
	EHD4X36A**	*8MX*0451408**	TDR&TXV	33,400	0.78	11.50	13.50				35,400	3.72	21,800	2.52	8.0
	EHD4X36A**	*8MX*0701716**	TDR&TXV	33,400	0.78	12.00	14.00				35,200	3.76	21,400	2.56	8.0
	EHD4X36A**	*8MX*0902116**	TDR&TXV	33,600	0.78	12.00	14.50				35,000	3.86	21,200	2.62	8.2
	EHD4X36A**	*8MX*1102120**	TDR&TXV	33,800	0.78	12.00	14.50				35,000	3.88	21,200	2.64	8.3
	EHD4X36A**	*9MPV050	TDR&TXV	33,200	0.78	11.20	13.50				35,200	3.68	21,800	2.52	8.0
	EHD4X36A**	*9MPV075	TDR&TXV	33,400	0.78	11.50	13.50				35,000	3.72	21,600	2.54	8.2
	EHD4X36A**	*9MPV100	TDR&TXV	34,000	0.78	12.00	14.00				35,200	3.86	21,600	2.60	8.5
	EHD4X36A**	*9MPV125	TDR&TXV	34,600	0.78	12.00	14.50				35,200	3.88	21,600	2.62	8.5
	EHD4X36A**	*9MVX040	TDR&TXV	34,000	0.78	11.20	13.50				35,200	3.68	21,800	2.50	8.0
	EHD4X36A**	*9MVX060	TDR&TXV	34,200	0.78	11.50	13.50				35,200	3.76	21,800	2.56	8.2
	EHD4X36A**	*9MVX080	TDR&TXV	34,000	0.78	11.50	14.00				35,200	3.88	21,800	2.62	8.5
	EHD4X36A**	*9MVX100	TDR&TXV	34,600	0.78	12.00	14.50				35,000	3.84	21,400	2.60	8.5
	EHD4X36A**	MV08B15**B*	TDR&TXV	33,800	0.78	12.00	14.50				34,800	3.86	21,200	2.62	8.5
	EHD4X36A**	MV12F19**B*	TDR&TXV	33,800	0.78	12.00	14.50				34,400	3.88	21,000	2.64	8.2
	EHD4X36A**	MV16J22**B*	TDR&TXV	33,800	0.78	12.50	15.00				34,400	3.90	21,000	2.64	8.5
EHD4X36A**	MV20L24**B*	TDR&TXV	34,000	0.78	12.50	15.00				34,800	3.90	21,000	2.64	8.5	
EHD4X36A**	NOMV106D12*	TDR&TXV	33,800	0.78	12.00	14.50				34,800	3.72	21,200	2.56	8.2	
EHD4X36A**	NOMV156E19*	TDR&TXV	34,000	0.78	12.00	14.50				34,800	3.76	21,200	2.58	8.4	
EHD4X36A**	OLV098A12A	TDR&TXV	33,800	0.78	11.50	14.00				35,200	3.70	21,400	2.52	8.2	
EHD4X36A**	OLV112A16A	TDR&TXV	34,200	0.78	12.00	14.00				35,200	3.78	21,600	2.58	8.5	
EHD4X36A**	OLV154F20A	TDR&TXV	35,000	0.78	12.00	14.50				35,600	3.96	21,800	2.66	8.5	
EHD4X36A**	OMV098J12A	TDR&TXV	34,000	0.78	11.50	14.00				35,200	3.72	21,600	2.54	8.2	
EHD4X36A**	OMV112K14A	TDR&TXV	34,200	0.78	12.00	14.50				35,000	3.76	21,400	2.58	8.2	

2009 ENERGY STAR compliance for combinations with all three: SEER 14.50 or higher and EER 12.00 or higher and HSPF 8.2 or higher.

† For coils not listed with a matching furnace or blower, coil rating applies with any indoor blower device.

- continued on next page -

**COOLING & HEATING PERFORMANCE FOR COMBINATION RATINGS (continued) Indoor Models**

For complete ratings information, use the AHRI website directory search: [www.AHRIdirectory.org](http://www.AHRIdirectory.org). New ratings may be listed online before Specification Sheets are updated.

Outdoor Model	Current Indoor Model (‡ tested combo)	Furnace Model	Factory Installed	Cool 95° F (35° C)			SEER			Heat 47° F (8.3° C)		Heat 17° F (-8.3° C)		HSPF
				BTU/hr	S / T	EER	factory	with field TDR	with field R-410A TXV	BTU/hr	COP	BTU/hr	COP	
CXH536GKA (continued)	EHD4X36A**	†	TXV	33,600	0.78	11.00		13.00		35,800	3.72	22,400	2.52	8.0
	EHD4X42A**	*8MPV050	TDR&TXV	34,000	0.78	11.50	13.50			35,200	3.70	21,800	2.52	8.1
	EHD4X42A**	*8MPV075	TDR&TXV	34,000	0.78	11.50	14.00			35,200	3.86	21,600	2.60	8.3
	EHD4X42A**	*8MPV100	TDR&TXV	34,400	0.78	12.00	14.50			35,200	3.96	21,800	2.66	8.5
	EHD4X42A**	*8MPV125	TDR&TXV	34,400	0.78	12.00	14.50			35,200	3.96	21,600	2.66	8.5
	EHD4X42A**	*8MV*0701412**	TDR&TXV	33,800	0.78	12.00	14.00			35,000	3.78	21,400	2.58	8.2
	EHD4X42A**	*8MV*0901716**	TDR&TXV	33,800	0.78	12.00	14.50			34,800	3.84	21,200	2.62	8.3
	EHD4X42A**	*8MV*1102120**	TDR&TXV	34,000	0.78	12.00	14.50			34,800	3.84	21,200	2.62	8.3
	EHD4X42A**	*8MV*1352422**	TDR&TXV	34,000	0.78	12.00	14.50			34,800	3.84	21,200	2.62	8.3
	EHD4X42A**	*8MX*0451408**	TDR&TXV	33,800	0.78	11.20	13.50			35,600	3.76	21,800	2.54	8.1
	EHD4X42A**	*8MX*0701716**	TDR&TXV	33,800	0.78	12.00	14.00			35,200	3.80	21,600	2.58	8.2
	EHD4X42A**	*8MX*0902116**	TDR&TXV	34,200	0.78	12.00	14.50			35,000	3.90	21,400	2.64	8.5
	EHD4X42A**	*8MX*1102120**	TDR&TXV	34,200	0.78	12.00	14.50			35,000	3.94	21,400	2.66	8.5
	EHD4X42A**	*9MPV050	TDR&TXV	33,600	0.78	11.20	13.50			35,200	3.74	21,800	2.54	8.2
	EHD4X42A**	*9MPV075	TDR&TXV	33,800	0.78	11.50	13.50			35,200	3.78	21,800	2.56	8.2
	EHD4X42A**	*9MPV100	TDR&TXV	34,200	0.78	12.00	14.00			35,200	3.90	21,800	2.62	8.5
	EHD4X42A**	*9MPV125	TDR&TXV	34,400	0.78	12.00	14.50			35,200	3.94	21,600	2.64	8.5
	EHD4X42A**	*9MVX040	TDR&TXV	33,400	0.78	11.20	13.50			35,200	3.72	21,800	2.52	8.2
	EHD4X42A**	*9MVX060	TDR&TXV	33,800	0.78	11.50	13.50			35,200	3.82	21,800	2.58	8.2
	EHD4X42A**	*9MVX080	TDR&TXV	34,400	0.78	12.00	14.00			35,400	3.92	21,800	2.64	8.5
	EHD4X42A**	*9MVX100	TDR&TXV	34,200	0.78	12.00	14.50			35,000	3.90	21,600	2.64	8.5
	EHD4X42A**	MV08B15**B*	TDR&TXV	34,400	0.78	12.50	15.00			35,000	3.90	21,200	2.64	8.5
	EHD4X42A**	MV12F19**B*	TDR&TXV	34,000	0.78	12.50	15.00			34,800	3.94	21,200	2.66	8.5
	EHD4X42A**	MV16J22**B*	TDR&TXV	34,000	0.78	12.50	15.00			34,400	3.94	21,000	2.66	8.5
	EHD4X42A**	MV20L24**B*	TDR&TXV	34,000	0.78	12.50	15.00			34,400	3.94	21,000	2.66	8.4
	EHD4X42A**	NOMV106D12*	TDR&TXV	34,000	0.78	12.00	14.50			34,800	3.76	21,200	2.58	8.4
	EHD4X42A**	NOMV156E19*	TDR&TXV	34,200	0.78	12.00	14.50			34,800	3.80	21,200	2.60	8.5
	EHD4X42A**	OLV098A12A	TDR&TXV	34,200	0.78	12.00	14.00			35,200	3.74	21,600	2.54	8.2
	EHD4X42A**	OLV112A16A	TDR&TXV	34,600	0.78	12.00	14.50			35,400	3.84	21,600	2.60	8.5
	EHD4X42A**	OLV154F20A	TDR&TXV	35,400	0.78	12.50	14.50			35,600	4.00	21,800	2.68	8.5
	EHD4X42A**	OMV112K14A	TDR&TXV	34,400	0.78	12.00	14.50			35,000	3.82	21,400	2.60	8.5
	EHD4X42A**	†	TXV	33,800	0.78	11.20			13.00	35,800	3.76	22,400	2.54	8.2
EMA4X36D**	†	TXV	33,600	0.78	11.00			13.00	35,800	3.60	22,200	2.46	8.0	
EN(A,D)4X36*21**	*8MV*1102120**	TDR&TXV	33,400	0.78	12.00	14.00			34,400	3.66	21,000	2.52	8.0	
EN(A,D)4X36*21**	*8MX*0902116**	TDR&TXV	33,600	0.78	12.00	14.50			34,600	3.70	21,000	2.54	8.2	
EN(A,D)4X36*21**	*8MX*1102120**	TDR&TXV	33,600	0.78	12.00	14.50			34,600	3.72	21,000	2.56	8.2	
EN(A,D)4X36*21**	*9MPV050	TDR&TXV	33,000	0.78	11.00	13.00			35,200	3.54	21,600	2.44	8.0	
EN(A,D)4X36*21**	*9MPV075	TDR&TXV	33,200	0.78	11.00	13.50			35,000	3.58	21,400	2.46	8.0	
EN(A,D)4X36*21**	*9MPV100	TDR&TXV	33,600	0.78	11.00	14.00			35,000	3.68	21,400	2.54	8.2	
EN(A,D)4X36*21**	*9MVX040	TDR&TXV	33,000	0.78	11.00	13.00			35,000	3.54	21,600	2.44	8.0	
EN(A,D)4X36*21**	*9MVX060	TDR&TXV	33,400	0.78	11.00	13.50			35,000	3.62	21,600	2.48	8.0	
EN(A,D)4X36*21**	*9MVX080	TDR&TXV	33,800	0.78	11.50	14.00			35,200	3.72	21,600	2.54	8.2	
EN(A,D)4X36*21**	NOMV156E19*	TDR&TXV	33,200	0.78	12.00	14.00			34,400	3.62	21,000	2.52	8.0	

2009 ENERGY STAR compliance for combinations with all three: SEER 14.50 or higher and EER 12.00 or higher and HSPF 8.2 or higher.

† For coils not listed with a matching furnace or blower, coil rating applies with any indoor blower device.

- continued on next page -

**COOLING & HEATING PERFORMANCE FOR COMBINATION RATINGS (continued) Indoor Models**

For complete ratings information, use the AHRI website directory search: [www.AHRIdirectory.org](http://www.AHRIdirectory.org). New ratings may be listed online before Specification Sheets are updated.

Outdoor Model	Current Indoor Model (‡ tested combo)	Furnace Model	Factory Installed	Cool 95° F (35° C)			SEER			Heat 47° F (8.3° C)		Heat 17° F (-8.3° C)		HSPF	
				BTU/hr	S / T	EER	factory	with field TDR	with field R-410A TXV	BTU/hr	COP	BTU/hr	COP		
CXH536GKA (continued)	EN(A,D)4X36*21**	OLV098A12A	TDR&TXV	33,000	0.78	11.00	13.50				34,800	3.56	21,400	2.46	8.0
	EN(A,D)4X36*21**	OLV112A16A	TDR&TXV	33,400	0.78	11.00	13.50				35,000	3.64	21,400	2.50	8.0
	EN(A,D)4X36*21**	OMV098J12A	TDR&TXV	33,200	0.78	11.00	13.50				35,000	3.58	21,400	2.48	8.0
	EN(A,D)4X36*21**	OMV112K14A	TDR&TXV	33,400	0.78	11.00	14.00				34,800	3.62	21,200	2.50	8.0
	EN(A,D)4X36*21**	†	TXV	33,600	0.78	11.00			13.00		35,800	3.60	22,200	2.46	8.0
	EN(A,D)4X37*17**	*8MV*0901716**	TDR&TXV	34,600	0.78	12.50	15.00				35,000	3.90	21,200	2.64	8.5
	EN(A,D)4X37*17**	*8MX*0701716**	TDR&TXV	34,600	0.78	12.00	14.50				35,400	3.88	21,600	2.60	8.5
	EN(A,D)4X37*17**	*9MPV050	TDR&TXV	34,600	0.78	11.50	14.00				35,800	3.80	22,000	2.56	8.5
	EN(A,D)4X37*17**	*9MPV075	TDR&TXV	34,600	0.78	12.00	14.00				35,600	3.84	21,800	2.58	8.5
	EN(A,D)4X37*17**	*9MVX040	TDR&TXV	34,400	0.78	11.00	13.50				35,800	3.78	22,000	2.56	8.5
	EN(A,D)4X37*17**	*9MVX060	TDR&TXV	34,800	0.78	12.00	14.00				35,800	3.88	22,000	2.60	8.5
	EN(A,D)4X37*17**	NOMV106D12*	TDR&TXV	34,400	0.78	12.00	14.50				35,000	3.84	21,200	2.60	8.5
	EN(A,D)4X37*17**	OLV098A12A	TDR&TXV	34,400	0.78	12.00	14.00				35,400	3.82	21,600	2.58	8.5
	EN(A,D)4X37*17**	OMV098J12A	TDR&TXV	34,600	0.78	12.00	14.00				35,400	3.82	21,800	2.58	8.5
	EN(A,D)4X37*17**	OMV112K14A	TDR&TXV	34,600	0.78	12.00	14.50				35,200	3.88	21,400	2.62	8.5
	EN(A,D)4X37*17**	†	TXV	35,000	0.78	11.50			13.50		36,000	3.84	22,600	2.56	8.5
	EN(A,D)4X43*24**	*8MV*1352422**	TDR&TXV	34,800	0.78	12.50	15.00				34,800	3.96	21,200	2.68	8.6
	EN(A,D)4X43*24**	*9MPV100	TDR&TXV	35,400	0.78	12.50	14.50				35,800	4.04	22,000	2.68	8.5
	EN(A,D)4X43*24**	*9MPV125	TDR&TXV	35,400	0.78	12.50	15.00				35,600	4.06	21,800	2.70	8.5
	EN(A,D)4X43*24**	*9MVX080	TDR&TXV	35,400	0.78	12.50	14.50				36,000	4.04	22,000	2.68	8.5
	EN(A,D)4X43*24**	*9MVX100	TDR&TXV	35,400	0.78	12.50	15.00				35,600	4.04	21,600	2.70	8.5
	EN(A,D)4X43*24**	OLV112A16A	TDR&TXV	35,000	0.78	12.50	14.50				35,400	3.94	21,600	2.64	8.5
	EN(A,D)4X43*24**	OLV154F20A	TDR&TXV	35,800	0.78	12.50	15.00				35,800	4.12	21,800	2.72	9.0
	EN(A,D)4X43*24**	†	TXV	35,000	0.78	11.50	13.50				36,000	3.84	22,600	2.56	8.4
	EN(A,D,W)4X36*17**	*8MV*0901716**	TDR&TXV	33,400	0.78	12.00	14.00				34,400	3.64	21,000	2.52	8.0
	EN(A,D,W)4X36*17**	*8MX*0701716**	TDR&TXV	33,200	0.78	11.50	13.50				34,800	3.60	21,200	2.48	7.9
	EN(A,D,W)4X36*17**	*9MPV050	TDR&TXV	33,000	0.78	11.00	13.00				35,000	3.54	21,600	2.44	8.0
	EN(A,D,W)4X36*17**	*9MPV075	TDR&TXV	33,200	0.78	11.00	13.00				35,000	3.56	21,400	2.46	8.0
	EN(A,D,W)4X36*17**	*9MVX040	TDR&TXV	33,000	0.78	11.00	13.00				35,000	3.54	21,600	2.44	8.0
	EN(A,D,W)4X36*17**	*9MVX060	TDR&TXV	33,400	0.78	11.00	13.50				35,000	3.60	21,600	2.48	8.0
EN(A,D,W)4X36*17**	NOMV106D12*	TDR&TXV	33,000	0.78	11.50	14.00				34,400	3.58	21,000	2.48	8.0	
EN(A,D,W)4X36*17**	OLV098A12A	TDR&TXV	33,000	0.78	11.00	13.50				34,800	3.56	21,400	2.46	8.0	
EN(A,D,W)4X36*17**	OMV098J12A	TDR&TXV	33,200	0.78	11.00	13.50				35,000	3.56	21,400	2.46	8.0	
EN(A,D,W)4X36*17**	OMV112K14A	TDR&TXV	33,200	0.78	11.50	14.00				34,800	3.62	21,200	2.50	8.0	
EN(A,D,W)4X36*17**	†	TXV	33,600	0.78	11.00			13.00		35,800	3.60	22,200	2.46	8.0	
EN(A,D,W)4X42*21**	*8MV*1102120**	TDR&TXV	33,800	0.78	12.00	14.50				34,600	3.74	21,000	2.56	8.2	
EN(A,D,W)4X42*21**	*8MX*0902116**	TDR&TXV	34,000	0.78	12.00	14.50				34,800	3.78	21,200	2.58	8.5	
EN(A,D,W)4X42*21**	*8MX*1102120**	TDR&TXV	34,000	0.78	12.00	14.50				34,800	3.80	21,200	2.60	8.5	
EN(A,D,W)4X42*21**	*9MPV050	TDR&TXV	33,400	0.78	11.00	13.50				35,200	3.62	21,800	2.48	8.0	
EN(A,D,W)4X42*21**	*9MPV075	TDR&TXV	33,600	0.78	11.00	13.50				35,200	3.66	21,600	2.50	8.2	
EN(A,D,W)4X42*21**	*9MPV100	TDR&TXV	34,200	0.78	12.00	14.00				35,200	3.78	21,600	2.58	8.5	

2009 ENERGY STAR compliance for combinations with all three: SEER 14.50 or higher and EER 12.00 or higher and HSPF 8.2 or higher.

† For coils not listed with a matching furnace or blower, coil rating applies with any indoor blower device.

- continued on next page -

**COOLING & HEATING PERFORMANCE FOR COMBINATION RATINGS (continued) Indoor Models**

For complete ratings information, use the AHRI website directory search: [www.AHRIdirectory.org](http://www.AHRIdirectory.org). New ratings may be listed online before Specification Sheets are updated.

Outdoor Model	Current Indoor Model (‡ tested combo)	Furnace Model	Factory Installed	Cool 95° F (35° C)			SEER			Heat 47° F (8.3° C)		Heat 17° F (-8.3° C)		HSPF	
				BTU/hr	S / T	EER	factory	with field TDR	with field R-410A TXV	BTU/hr	COP	BTU/hr	COP		
CXH536GKA (continued)	EN(A,D,W)4X42*21**	*9MVX040	TDR&TXV	33,400	0.78	11.00	13.50				35,200	3.62	21,800	2.48	8.0
	EN(A,D,W)4X42*21**	*9MVX060	TDR&TXV	33,800	0.78	11.50	13.50				35,200	3.68	21,600	2.52	8.2
	EN(A,D,W)4X42*21**	*9MVX080	TDR&TXV	34,200	0.78	12.00	14.00				35,400	3.80	21,600	2.58	8.5
	EN(A,D,W)4X42*21**	NOMV156E19*	TDR&TXV	33,600	0.78	12.00	14.50				34,600	3.70	21,000	2.54	8.2
	EN(A,D,W)4X42*21**	OLV098A12A	TDR&TXV	33,400	0.78	11.50	13.50				35,000	3.64	21,400	2.50	8.0
	EN(A,D,W)4X42*21**	OLV112A16A	TDR&TXV	33,800	0.78	11.50	14.00				35,000	3.72	21,400	2.54	8.2
	EN(A,D,W)4X42*21**	OMV098J12A	TDR&TXV	33,600	0.78	11.50	13.50				35,000	3.64	21,400	2.50	8.2
	EN(A,D,W)4X42*21**	OMV112K14A	TDR&TXV	33,800	0.78	12.00	14.00				34,800	3.70	21,200	2.54	8.2
	EN(A,D,W)4X42*21**	†	TXV	33,800	0.78	11.20			13.00		35,800	3.66	22,200	2.50	8.2
	END4X42*17**	*8MV*0901716**	TDR&TXV	34,000	0.78	12.00	14.50				34,800	3.78	21,000	2.58	8.5
	END4X42*17**	*8MX*0701716**	TDR&TXV	34,000	0.78	12.00	14.00				35,200	3.74	21,400	2.56	8.2
	END4X42*17**	*9MPV050	TDR&TXV	33,800	0.78	11.00	13.50				35,400	3.66	21,800	2.50	8.2
	END4X42*17**	*9MPV075	TDR&TXV	33,800	0.78	11.00	13.50				35,200	3.70	21,600	2.52	8.2
	END4X42*17**	*9MVX040	TDR&TXV	33,800	0.78	11.00	13.50				35,400	3.66	21,800	2.50	8.2
	END4X42*17**	*9MVX060	TDR&TXV	34,000	0.78	11.00	14.00				35,400	3.74	21,800	2.54	8.2
	END4X42*17**	NOMV106D12*	TDR&TXV	33,800	0.78	12.00	14.50				34,800	3.70	21,200	2.54	8.2
	END4X42*17**	OLV098A12A	TDR&TXV	33,800	0.78	11.50	14.00				35,000	3.68	21,400	2.52	8.2
	END4X42*17**	OMV098J12A	TDR&TXV	33,800	0.78	11.00	14.00				35,200	3.70	21,600	2.52	8.2
	END4X42*17**	OMV112K14A	TDR&TXV	34,000	0.78	12.00	14.00				35,000	3.76	21,400	2.56	8.2
	END4X42*17**	†	TXV	34,000	0.78	11.20			13.50		36,000	3.72	22,400	2.52	8.2
	ENH4X36*17**	*8MV*0701412**	TDR&TXV	33,200	0.78	11.50	14.00				34,600	3.60	21,000	2.50	7.9
	ENH4X36*17**	*8MV*0901716**	TDR&TXV	33,400	0.78	12.00	14.00				34,400	3.64	21,000	2.52	8.0
	ENH4X36*17**	*8MV*1102120**	TDR&TXV	33,400	0.78	12.00	14.00				34,400	3.66	21,000	2.52	8.0
	ENH4X36*17**	*8MV*1352422**	TDR&TXV	33,400	0.78	12.00	14.50				34,400	3.66	21,000	2.54	8.2
	ENH4X36*17**	*8MX*0451408**	TDR&TXV	33,200	0.78	11.20	13.50				35,000	3.56	21,600	2.46	7.8
	ENH4X36*17**	*8MX*0701716**	TDR&TXV	33,200	0.78	11.50	13.50				34,800	3.60	21,200	2.48	7.9
	ENH4X36*17**	*8MX*0902116**	TDR&TXV	33,400	0.78	12.00	14.50				34,600	3.68	21,000	2.54	8.2
	ENH4X36*17**	*8MX*1102120**	TDR&TXV	33,600	0.78	12.00	14.50				34,600	3.70	21,000	2.56	8.2
	ENH4X36*17**	*9MPV050	TDR&TXV	33,000	0.78	11.00	13.00				35,000	3.54	21,600	2.44	8.0
	ENH4X36*17**	*9MPV075	TDR&TXV	33,200	0.78	11.00	13.50				35,000	3.56	21,400	2.46	8.0
	ENH4X36*17**	*9MVX040	TDR&TXV	33,000	0.78	11.00	13.00				35,000	3.54	21,600	2.44	8.0
	ENH4X36*17**	*9MVX060	TDR&TXV	33,400	0.78	11.00	13.00				35,000	3.60	21,600	2.48	8.0
	ENH4X36*17**	NOMV106D12*	TDR&TXV	33,000	0.78	11.50	14.00				34,400	3.58	21,000	2.48	8.0
ENH4X36*17**	NOMV156E19*	TDR&TXV	33,200	0.78	11.50	14.00				34,600	3.62	21,000	2.50	8.0	
ENH4X36*17**	OLV098A12A	TDR&TXV	33,000	0.78	11.00	13.50				34,800	3.56	21,400	2.46	8.0	
ENH4X36*17**	OLV112A16A	TDR&TXV	33,400	0.78	11.50	13.50				35,000	3.64	21,400	2.50	8.0	
ENH4X36*17**	OLV154F20A	TDR&TXV	34,200	0.78	12.00	14.00				35,400	3.78	21,600	2.58	8.5	
ENH4X36*17**	OMV098J12A	TDR&TXV	33,200	0.78	11.00	13.50				35,000	3.56	21,400	2.46	8.0	
ENH4X36*17**	OMV112K14A	TDR&TXV	33,200	0.78	11.50	14.00				34,800	3.62	21,200	2.50	8.0	
ENH4X36*17**	†	TXV	33,600	0.78	11.00			13.00		35,800	3.60	22,200	2.46	8.0	
ENH4X42*21**	*8MV*0701412**	TDR&TXV	33,600	0.78	12.00	14.00				34,800	3.68	21,200	2.54	8.1	
ENH4X42*21**	*8MV*0901716**	TDR&TXV	33,600	0.78	12.00	14.50				34,600	3.72	21,000	2.56	8.2	
ENH4X42*21**	*8MV*1102120**	TDR&TXV	33,800	0.78	12.00	14.50				34,600	3.74	21,000	2.56	8.2	

2009 ENERGY STAR compliance for combinations with all three: SEER 14.50 or higher and EER 12.00 or higher and HSPF 8.2 or higher.

† For coils not listed with a matching furnace or blower, coil rating applies with any indoor blower device.

- continued on next page -

**COOLING & HEATING PERFORMANCE FOR COMBINATION RATINGS (continued) Indoor Models**

For complete ratings information, use the AHRI website directory search: [www.AHRI.org](http://www.AHRI.org). New ratings may be listed online before Specification Sheets are updated.

Outdoor Model	Current Indoor Model (‡ tested combo)	Furnace Model	Factory Installed	Cool 95° F (35° C)			SEER			Heat 47° F (8.3° C)		Heat 17° F (-8.3° C)		HSPF	
				BTU/hr	S / T	EER	factory	with field TDR	with field R-410A TXV	BTU/hr	COP	BTU/hr	COP		
CXH536GKA (continued)	ENH4X42*21**	*8MV*1352422**	TDR&TXV	33,800	0.78	12.00	14.50				34,400	3.74	21,000	2.58	8.2
	ENH4X42*21**	*8MX*0451408**	TDR&TXV	33,600	0.78	11.20	13.50				35,200	3.64	21,600	2.50	8.0
	ENH4X42*21**	*8MX*0701716**	TDR&TXV	33,600	0.78	11.50	14.00				35,000	3.68	21,400	2.52	8.1
	ENH4X42*21**	*8MX*0902116**	TDR&TXV	34,000	0.78	12.00	14.50				34,800	3.78	21,200	2.58	8.5
	ENH4X42*21**	*8MX*1102120**	TDR&TXV	34,000	0.78	12.00	14.50				34,800	3.80	21,200	2.60	8.5
	ENH4X42*21**	*9MPV050	TDR&TXV	33,400	0.78	11.00	13.50				35,200	3.62	21,800	2.48	8.0
	ENH4X42*21**	*9MPV075	TDR&TXV	33,600	0.78	11.00	13.50				35,200	3.66	21,600	2.50	8.2
	ENH4X42*21**	*9MPV100	TDR&TXV	34,200	0.78	12.00	14.00				35,200	3.78	21,600	2.58	8.5
	ENH4X42*21**	*9MVX040	TDR&TXV	33,400	0.78	11.00	13.50				35,200	3.62	21,800	2.48	8.0
	ENH4X42*21**	*9MVX060	TDR&TXV	33,800	0.78	11.50	13.50				35,200	3.68	21,600	2.52	8.2
	ENH4X42*21**	*9MVX080	TDR&TXV	34,200	0.78	12.00	14.00				35,400	3.80	21,600	2.58	8.5
	ENH4X42*21**	NOMV106D12*	TDR&TXV	33,400	0.78	12.00	14.00				34,600	3.66	21,000	2.52	8.2
	ENH4X42*21**	NOMV156E19*	TDR&TXV	33,600	0.78	12.00	14.50				34,600	3.70	21,000	2.54	8.2
	ENH4X42*21**	OLV098A12A	TDR&TXV	33,400	0.78	11.50	13.50				35,000	3.64	21,400	2.50	8.0
	ENH4X42*21**	OLV112A16A	TDR&TXV	33,800	0.78	11.50	14.00				35,000	3.72	21,400	2.54	8.2
	ENH4X42*21**	OLV154F20A	TDR&TXV	34,600	0.78	12.00	14.50				35,400	3.88	21,800	2.62	8.5
	ENH4X42*21**	OMV098J12A	TDR&TXV	33,600	0.78	11.50	13.50				35,000	3.64	21,400	2.50	8.2
	ENH4X42*21**	OMV112K14A	TDR&TXV	33,800	0.78	12.00	14.00				34,800	3.70	21,200	2.54	8.2
	ENH4X42*21**	†	TXV	33,800	0.78	11.20			13.00		35,800	3.66	22,200	2.50	8.2
	ENH4X43*21**	*9MPV050	TDR&TXV	34,600	0.78	11.50	14.00				35,800	3.82	22,000	2.56	8.5
	ENH4X43*21**	*9MPV075	TDR&TXV	34,800	0.78	12.00	14.00				35,600	3.86	21,800	2.60	8.5
	ENH4X43*21**	*9MPV100	TDR&TXV	35,400	0.78	12.00	14.50				35,800	4.00	21,800	2.66	8.5
	ENH4X43*21**	*9MPV125	TDR&TXV	35,400	0.78	12.50	15.00				35,600	4.04	21,800	2.68	8.5
	ENH4X43*21**	*9MVX040	TDR&TXV	34,600	0.78	11.50	14.00				35,800	3.80	22,000	2.56	8.5
	ENH4X43*21**	*9MVX060	TDR&TXV	35,000	0.78	12.00	14.00				35,800	3.90	22,000	2.62	8.5
	ENH4X43*21**	*9MVX080	TDR&TXV	35,400	0.78	12.00	14.50				35,800	4.02	22,000	2.68	8.5
	ENH4X43*21**	*9MVX100	TDR&TXV	35,200	0.78	12.50	15.00				35,600	4.00	21,600	2.68	8.5
	ENH4X43*21**	NOMV106D12*	TDR&TXV	34,400	0.78	12.00	14.50				35,000	3.86	21,200	2.62	8.5
	ENH4X43*21**	NOMV156E19*	TDR&TXV	34,600	0.78	12.50	15.00				35,000	3.90	21,200	2.64	8.5
	ENH4X43*21**	OLV098A12A	TDR&TXV	34,400	0.78	12.00	14.00				35,400	3.82	21,600	2.58	8.5
	ENH4X43*21**	OLV112A16A	TDR&TXV	34,800	0.78	12.00	14.50				35,400	3.92	21,600	2.64	8.5
	ENH4X43*21**	OLV154F20A	TDR&TXV	35,600	0.78	12.50	15.00				35,800	4.10	22,000	2.72	9.0
	ENH4X43*21**	OMV098J12A	TDR&TXV	34,600	0.78	12.00	14.00				35,400	3.84	21,600	2.60	8.5
	ENH4X43*21**	OMV112K14A	TDR&TXV	34,600	0.78	12.00	14.50				35,200	3.90	21,400	2.62	8.5
	FEA4X36**A*	—	TDR&TXV	33,600	0.78	11.20	13.00				35,600	3.62	22,000	2.48	8.0
	FEM4P36**A*+TXV	—	TDR	33,600	0.78	11.50				13.50	35,200	3.70	21,600	2.50	8.2
	FEM4P36**A*	—	TDR	33,600	0.78	11.20	13.00				35,200	3.68	21,600	2.50	8.2
	FEM4P42**A*+TXV	—	TDR	34,800	0.78	12.00				14.50	35,400	3.90	21,600	2.64	8.5
	FEM4P42**A*	—	TDR	35,000	0.78	12.00	13.50				35,400	3.90	21,600	2.64	8.5
	FEM4X36****	—	TDR&TXV	34,600	0.78	12.00	14.50				35,400	3.84	21,800	2.60	8.5
FEM4X42****	—	TDR&TXV	34,600	0.78	12.00	14.00				35,600	3.82	21,800	2.58	8.5	
FS(M,U)4P36**A*+TXV	—	TDR	33,800	0.78	11.50				13.50	35,400	3.68	21,800	2.50	8.2	
FS(M,U)4P36**A*	—	TDR	34,000	0.78	11.20	13.00				35,400	3.68	21,800	2.52	8.2	

2009 ENERGY STAR compliance for combinations with all three: SEER 14.50 or higher and EER 12.00 or higher and HSPF 8.2 or higher.

† For coils not listed with a matching furnace or blower, coil rating applies with any indoor blower device.

- continued on next page -

**COOLING & HEATING PERFORMANCE FOR COMBINATION RATINGS (continued) Indoor Models**

For complete ratings information, use the AHRI website directory search: [www.AHRIdirectory.org](http://www.AHRIdirectory.org). New ratings may be listed online before Specification Sheets are updated.

Outdoor Model	Current Indoor Model (‡ tested combo)	Furnace Model	Factory Installed	Cool 95° F (35° C)			SEER			Heat 47° F (8.3° C)		Heat 17° F (-8.3° C)		HSPF
				BTU/hr	S / T	EER	factory	with field TDR	with field R-410A TXV	BTU/hr	COP	BTU/hr	COP	
CXH536GKA (continued)	FS(M,U)4P42**A*+TXV	—	TDR	34,400	0.78	11.50			14.00	35,600	3.78	22,000	2.56	8.5
	FS(M,U)4P42**A*	—	TDR	34,600	0.78	11.50	13.00			35,600	3.78	22,000	2.56	8.5
	FS(M,U)4X42****	—	TDR&TXV	34,200	0.78	11.00	13.00			36,000	3.66	22,400	2.48	8.2
	FSA4X36**A*	—	TDR&TXV	33,600	0.78	11.00	13.00			35,800	3.56	22,200	2.44	8.0
	FSM4X36****	—	TDR&TXV	34,200	0.78	11.00	13.00			36,000	3.68	22,400	2.50	8.2
	FSU4X36****	—	TDR&TXV	33,600	0.78	11.00	13.00			35,800	3.58	22,200	2.44	8.0
	FVM4X24****	—	TDR&TXV	33,600	0.78	12.00	14.00			34,800	3.72	21,200	2.52	8.2
	FVM4X36****	—	TDR&TXV	33,800	0.78	12.40	15.00			34,400	3.74	20,800	2.56	8.5
	FVM4X48****	—	TDR&TXV	35,000	0.78	12.50	15.00			35,000	3.98	21,200	2.68	8.6
FVM4X60****	—	TDR&TXV	35,400	0.78	12.50	15.50			34,600	4.08	21,200	2.72	8.8	
FXM4X42**A*	—	TDR&TXV	34,800	0.78	12.50	14.50			35,200	3.92	21,600	2.64	8.6	
CXH537GKA	‡FXM4X36**A*	—	TDR&TXV	35,600	0.74	13.00	15.50			36,000	3.88	21,400	2.64	8.7
	ED*4X36B**	*8MPV050	TDR&TXV	33,600	0.74	11.20	13.50			35,600	3.44	21,400	2.42	7.8
	ED*4X36B**	MV08B15**B*	TDR&TXV	34,000	0.74	12.50	15.00			35,200	3.64	21,000	2.54	8.5
	ED*4X36B**	†	TXV	34,000	0.74	11.20		13.50		36,000	3.50	21,800	2.44	7.9
	ED*4X36F**	*8MPV075	TDR&TXV	34,000	0.74	12.00	14.50			35,400	3.62	21,400	2.50	8.2
	ED*4X36F**	*9MPV050	TDR&TXV	33,800	0.74	11.20	13.50			35,800	3.50	21,600	2.44	7.9
	ED*4X36F**	*9MPV075	TDR&TXV	34,000	0.74	12.00	14.00			35,400	3.54	21,400	2.46	8.1
	ED*4X36F**	*9MVX040	TDR&TXV	33,800	0.74	11.50	14.00			35,600	3.50	21,600	2.44	8.2
	ED*4X36F**	*9MVX060	TDR&TXV	34,000	0.74	12.00	14.00			35,600	3.58	21,600	2.48	8.3
	ED*4X36F**	MV12F19**B*	TDR&TXV	34,200	0.74	13.00	15.00			35,000	3.70	20,800	2.56	8.2
	ED*4X36F**	NOMV106D12*	TDR&TXV	33,800	0.74	12.00	14.50			35,000	3.54	20,800	2.48	8.0
	ED*4X36F**	OLV098A12A	TDR&TXV	34,000	0.74	12.00	14.50			35,400	3.54	21,200	2.48	8.2
	ED*4X36F**	OLV112A16A	TDR&TXV	34,400	0.74	12.00	14.50			35,600	3.62	21,200	2.52	8.2
	ED*4X36F**	OMV098J12A	TDR&TXV	34,200	0.74	12.00	14.50			35,600	3.56	21,200	2.48	8.2
	ED*4X36F**	OMV112K14A	TDR&TXV	34,200	0.74	12.50	15.00			35,400	3.60	21,000	2.52	8.2
	ED*4X36F**	†	TXV	34,000	0.74	11.20		13.50		36,000	3.54	22,200	2.46	8.0
	ED*4X36J**	*8MPV100	TDR&TXV	34,800	0.74	12.50	15.00			35,600	3.74	21,400	2.58	8.5
	ED*4X36J**	*8MPV125	TDR&TXV	34,800	0.74	12.50	15.00			35,400	3.76	21,400	2.58	8.5
	ED*4X36J**	*9MPV100	TDR&TXV	34,600	0.74	12.50	15.00			35,600	3.70	21,400	2.54	8.5
	ED*4X36J**	*9MVX080	TDR&TXV	34,800	0.74	12.50	15.00			36,000	3.70	21,600	2.56	8.5
	ED*4X36J**	MV16J22**B*	TDR&TXV	34,200	0.74	13.00	15.00			35,000	3.72	20,800	2.58	8.5
	ED*4X36J**	NOMV156E19*	TDR&TXV	34,000	0.74	12.50	15.00			35,000	3.60	20,800	2.52	8.2
	ED*4X36J**	OLV112A16A	TDR&TXV	34,400	0.74	12.50	15.00			35,600	3.64	21,200	2.54	8.2
	ED*4X36J**	†	TXV	34,000	0.74	11.20		13.50		36,000	3.54	22,200	2.46	8.0
	ED*4X42F**	*8MPV075	TDR&TXV	34,600	0.74	12.50	15.00			35,600	3.68	21,400	2.54	8.5
	ED*4X42F**	*9MPV050	TDR&TXV	34,200	0.74	11.50	14.00			35,800	3.56	21,600	2.46	8.2
	ED*4X42F**	*9MPV075	TDR&TXV	34,200	0.74	12.00	14.50			35,600	3.58	21,600	2.48	8.2
	ED*4X42F**	*9MVX040	TDR&TXV	34,200	0.74	11.50	14.00			35,800	3.54	21,600	2.46	8.2
	ED*4X42F**	*9MVX060	TDR&TXV	34,400	0.74	12.00	14.50			35,800	3.62	21,600	2.50	8.3
	ED*4X42F**	MV12F19**B*	TDR&TXV	34,600	0.74	13.00	15.00			35,000	3.74	20,800	2.58	8.5
ED*4X42F**	OLV098A12A	TDR&TXV	34,200	0.74	12.00	14.50			35,600	3.58	21,200	2.50	8.2	

2009 ENERGY STAR compliance for combinations with all three: SEER 14.50 or higher and EER 12.00 or higher and HSPF 8.2 or higher.

† For coils not listed with a matching furnace or blower, coil rating applies with any indoor blower device.

- continued on next page -

### COOLING & HEATING PERFORMANCE FOR COMBINATION RATINGS (continued) Indoor Models

For complete ratings information, use the AHRI website directory search: [www.AHRIdirectory.org](http://www.AHRIdirectory.org). New ratings may be listed online before Specification Sheets are updated.

Outdoor Model	Current Indoor Model (‡ tested combo)	Furnace Model	Factory Installed	Cool 95° F (35° C)			SEER			Heat 47° F (8.3° C)		Heat 17° F (-8.3° C)		HSPF	
				BTU/hr	S / T	EER	factory	with field TDR	with field R-410A TXV	BTU/hr	COP	BTU/hr	COP		
CXH537GKA (continued)	ED*4X42F**	OLV112A16A	TDR&TXV	34,600	0.74	12.50	15.00				35,800	3.68	21,400	2.54	8.5
	ED*4X42F**	OMV098J12A	TDR&TXV	34,400	0.74	12.00	14.50				35,600	3.60	21,200	2.50	8.2
	ED*4X42F**	OMV112K14A	TDR&TXV	34,600	0.74	12.50	15.00				35,400	3.66	21,000	2.54	8.4
	ED*4X42F**	†	TXV	34,600	0.74	11.20		13.50			36,000	3.58	22,200	2.46	8.1
	ED*4X42J**	*8MPV100	TDR&TXV	35,200	0.74	12.50	15.00				35,800	3.78	21,600	2.60	8.5
	ED*4X42J**	*8MPV125	TDR&TXV	35,200	0.74	12.50	15.00				35,600	3.80	21,400	2.60	8.5
	ED*4X42J**	*9MPV100	TDR&TXV	35,000	0.74	12.50	15.00				35,800	3.74	21,600	2.56	8.5
	ED*4X42J**	*9MVX080	TDR&TXV	35,000	0.74	12.50	15.00				36,000	3.76	21,600	2.58	8.7
	ED*4X42J**	MV16J22**B*	TDR&TXV	34,800	0.74	13.00	15.00				35,000	3.76	20,800	2.60	8.5
	ED*4X42J**	NOMV156E19*	TDR&TXV	34,200	0.74	12.50	15.00				35,000	3.64	21,000	2.52	8.2
	ED*4X42J**	OLV112A16A	TDR&TXV	34,800	0.74	12.50	15.00				35,600	3.68	21,200	2.56	8.5
	ED*4X42J**	†	TXV	34,600	0.74	11.20		13.50			36,000	3.58	22,200	2.46	8.1
	ED*4X42L**	*8MV*1352422**	TDR&TXV	34,400	0.74	12.50	15.00				34,800	3.68	20,800	2.56	8.3
	ED*4X42L**	*9MPV125	TDR&TXV	35,000	0.74	12.50	15.00				35,600	3.78	21,400	2.60	8.5
	ED*4X42L**	*9MVX100	TDR&TXV	34,800	0.74	12.50	15.00				35,600	3.74	21,400	2.58	8.6
	ED*4X42L**	MV20L24**B*	TDR&TXV	34,800	0.74	13.00	15.00				35,000	3.76	20,800	2.60	8.5
	ED*4X42L**	OLV112A16A	TDR&TXV	34,800	0.74	12.50	15.00				35,600	3.70	21,200	2.56	8.5
	ED*4X42L**	OLV154F20A	TDR&TXV	35,600	0.74	12.50	15.00				36,000	3.86	21,400	2.64	8.5
	ED*4X42L**	†	TXV	34,600	0.74	11.20		13.50			36,200	3.58	22,200	2.46	8.1
	EHD4X36A**	*8MPV050	TDR&TXV	34,600	0.74	12.00	14.00				36,000	3.60	21,800	2.48	8.2
	EHD4X36A**	*8MPV075	TDR&TXV	35,200	0.74	12.50	15.00				35,800	3.74	21,600	2.56	8.5
	EHD4X36A**	*8MPV100	TDR&TXV	35,600	0.74	12.50	15.00				36,000	3.82	21,600	2.60	8.5
	EHD4X36A**	*8MPV125	TDR&TXV	35,600	0.74	13.00	15.00				35,800	3.84	21,400	2.62	8.5
	EHD4X36A**	*8MV*0701412**	TDR&TXV	34,800	0.74	12.50	15.00				35,400	3.68	21,200	2.54	8.3
	EHD4X36A**	*8MV*0901716**	TDR&TXV	34,800	0.74	12.50	15.00				35,200	3.72	21,000	2.56	8.5
	EHD4X36A**	*8MV*1102120**	TDR&TXV	35,000	0.74	12.50	15.00				35,200	3.74	21,200	2.58	8.5
	EHD4X36A**	*8MV*1352422**	TDR&TXV	35,000	0.74	12.50	15.00				35,200	3.74	21,000	2.58	8.5
	EHD4X36A**	*8MX*0451408**	TDR&TXV	34,800	0.74	12.00	14.50				36,000	3.64	21,800	2.50	8.2
	EHD4X36A**	*8MX*0701716**	TDR&TXV	34,800	0.74	12.00	15.00				35,600	3.68	21,400	2.54	8.3
	EHD4X36A**	*8MX*0902116**	TDR&TXV	35,200	0.74	12.50	15.00				35,400	3.78	21,200	2.60	8.5
	EHD4X36A**	*8MX*1102120**	TDR&TXV	35,200	0.74	13.00	15.00				35,400	3.80	21,200	2.60	8.5
	EHD4X36A**	*9MPV050	TDR&TXV	34,600	0.74	12.00	14.00				36,000	3.62	21,800	2.48	8.3
EHD4X36A**	*9MPV075	TDR&TXV	34,800	0.74	12.00	14.50				35,800	3.66	21,600	2.52	8.2	
EHD4X36A**	*9MPV100	TDR&TXV	35,200	0.74	12.50	15.00				36,000	3.78	21,600	2.58	8.5	
EHD4X36A**	*9MPV125	TDR&TXV	35,200	0.74	12.50	15.00				35,800	3.80	21,600	2.60	8.5	
EHD4X36A**	*9MVX040	TDR&TXV	34,600	0.74	12.00	14.00				36,000	3.60	21,800	2.48	8.3	
EHD4X36A**	*9MVX060	TDR&TXV	35,000	0.74	12.00	14.50				36,000	3.70	21,800	2.54	8.5	
EHD4X36A**	*9MVX080	TDR&TXV	35,600	0.74	12.50	15.00				36,000	3.80	21,800	2.58	8.7	
EHD4X36A**	*9MVX100	TDR&TXV	35,200	0.74	12.50	15.00				35,800	3.78	21,400	2.58	8.6	
EHD4X36A**	MV08B15**B*	TDR&TXV	35,200	0.74	13.00	15.00				35,400	3.78	21,200	2.60	8.5	
EHD4X36A**	MV12F19**B*	TDR&TXV	35,200	0.74	13.00	15.00				35,200	3.82	21,000	2.62	8.5	

2009 ENERGY STAR compliance for combinations with all three: SEER 14.50 or higher and EER 12.00 or higher and HSPF 8.2 or higher.

† For coils not listed with a matching furnace or blower, coil rating applies with any indoor blower device.

- continued on next page -

**COOLING & HEATING PERFORMANCE FOR COMBINATION RATINGS (continued) Indoor Models**

For complete ratings information, use the AHRI website directory search: [www.AHRIdirectory.org](http://www.AHRIdirectory.org). New ratings may be listed online before Specification Sheets are updated.

Outdoor Model	Current Indoor Model (‡ tested combo)	Furnace Model	Factory Installed	Cool 95° F (35° C)			SEER			Heat 47° F (8.3° C)		Heat 17° F (-8.3° C)		HSPF		
				BTU/hr	S / T	EER	factory	with field TDR	with field R-410A TXV	BTU/hr	COP	BTU/hr	COP			
CXH537GKA (continued)	EHD4X36A**	MV16J22**B*	TDR&TXV	35,200	0.74	13.00	15.00				35,200	3.82	21,000	2.62	8.5	
	EHD4X36A**	MV20L24**B*	TDR&TXV	35,200	0.74	13.00	15.00				35,200	3.82	21,000	2.62	8.5	
	EHD4X36A**	OLV098A12A	TDR&TXV	34,800	0.74	12.00	14.50				35,800	3.66	21,400	2.54	8.5	
	EHD4X36A**	OLV112A16A	TDR&TXV	35,200	0.74	12.50	15.00				36,000	3.74	21,400	2.58	8.5	
	EHD4X36A**	OLV154F20A	TDR&TXV	36,000	0.74	12.50	15.00				36,000	3.90	21,600	2.66	8.5	
	EHD4X36A**	OMV098J12A	TDR&TXV	35,000	0.74	12.00	14.50				35,800	3.68	21,400	2.54	8.5	
	EHD4X36A**	OMV112K14A	TDR&TXV	35,000	0.74	12.50	15.00				35,600	3.72	21,200	2.58	8.5	
	EHD4X36A**	†	TXV	35,200	0.74	11.20			13.50			36,000	3.66	22,400	2.50	8.3
	EHD4X42A**	*8MPV050	TDR&TXV	34,800	0.74	12.00	14.00					36,000	3.64	21,800	2.50	8.2
	EHD4X42A**	*8MPV075	TDR&TXV	35,200	0.74	12.50	15.00					36,000	3.80	21,600	2.58	8.5
	EHD4X42A**	*8MPV100	TDR&TXV	35,600	0.74	13.00	15.00					36,000	3.88	21,600	2.64	8.5
	EHD4X42A**	*8MPV125	TDR&TXV	35,600	0.74	13.00	15.00					36,000	3.90	21,600	2.64	8.5
	EHD4X42A**	*8MV*0701412**	TDR&TXV	35,000	0.74	12.50	15.00					35,400	3.72	21,200	2.56	8.5
	EHD4X42A**	*8MV*0901716**	TDR&TXV	35,000	0.74	13.00	15.00					35,200	3.76	21,000	2.58	8.5
	EHD4X42A**	*8MV*1102120**	TDR&TXV	35,200	0.74	13.00	15.00					35,400	3.78	21,200	2.60	8.5
	EHD4X42A**	*8MV*1352422**	TDR&TXV	35,200	0.74	13.00	15.00					35,200	3.78	21,000	2.60	8.5
	EHD4X42A**	*8MX*0451408**	TDR&TXV	35,000	0.74	12.00	14.50					36,000	3.68	21,800	2.52	8.3
	EHD4X42A**	*8MX*0701716**	TDR&TXV	35,200	0.74	12.50	15.00					35,800	3.74	21,600	2.56	8.5
	EHD4X42A**	*8MX*0902116**	TDR&TXV	35,400	0.74	13.00	15.00					35,600	3.82	21,200	2.62	8.6
	EHD4X42A**	*8MX*1102120**	TDR&TXV	35,600	0.74	13.00	15.00					35,600	3.86	21,200	2.64	8.6
	EHD4X42A**	*9MPV050	TDR&TXV	35,000	0.74	12.00	14.00					36,000	3.66	21,800	2.50	8.5
	EHD4X42A**	*9MPV075	TDR&TXV	35,000	0.74	12.00	14.50					36,000	3.70	21,800	2.54	8.5
	EHD4X42A**	*9MPV100	TDR&TXV	35,400	0.74	12.50	15.00					36,000	3.84	21,600	2.60	8.5
	EHD4X42A**	*9MPV125	TDR&TXV	35,600	0.74	13.00	15.00					36,000	3.86	21,600	2.62	8.5
	EHD4X42A**	*9MVX040	TDR&TXV	35,000	0.74	12.00	14.00					36,000	3.66	21,800	2.50	8.4
	EHD4X42A**	*9MVX060	TDR&TXV	35,000	0.74	12.50	15.00					36,000	3.74	21,800	2.56	8.6
	EHD4X42A**	*9MVX080	TDR&TXV	35,600	0.74	12.50	15.00					36,000	3.86	21,800	2.62	8.5
	EHD4X42A**	*9MVX100	TDR&TXV	35,600	0.74	13.00	15.00					35,800	3.84	21,400	2.60	8.8
	EHD4X42A**	MV08B15**B*	TDR&TXV	35,200	0.74	13.00	15.00					35,400	3.82	21,200	2.62	8.8
	EHD4X42A**	MV12F19**B*	TDR&TXV	35,200	0.74	13.00	15.00					35,400	3.86	21,000	2.64	9.0
	EHD4X42A**	MV16J22**B*	TDR&TXV	35,200	0.74	13.00	15.00					35,200	3.86	21,000	2.64	9.0
	EHD4X42A**	MV20L24**B*	TDR&TXV	35,200	0.74	13.00	15.00					35,400	3.86	21,000	2.64	9.0
EHD4X42A**	OLV098A12A	TDR&TXV	35,000	0.74	12.50	15.00					35,800	3.70	21,400	2.54	8.5	
EHD4X42A**	OLV112A16A	TDR&TXV	35,400	0.74	12.50	15.00					36,000	3.80	21,400	2.60	8.5	
EHD4X42A**	OLV154F20A	TDR&TXV	36,000	0.74	12.50	15.00					36,000	3.96	21,800	2.68	8.5	
EHD4X42A**	OMV098J12A	TDR&TXV	35,200	0.74	12.50	15.00					36,000	3.72	21,400	2.56	8.5	
EHD4X42A**	OMV112K14A	TDR&TXV	35,200	0.74	12.50	15.00					35,800	3.76	21,200	2.60	8.5	
EHD4X42A**	†	TXV	35,200	0.74	12.00			14.00			36,000	3.70	22,400	2.52	8.4	
EMA4X36D**	†	TXV	34,200	0.74	11.20			13.50			36,000	3.54	22,200	2.44	8.0	
EN(A,D)4X36*21**	*8MV*1102120**	TDR&TXV	34,000	0.74	12.50	15.00					35,000	3.60	21,000	2.50	8.2	
EN(A,D)4X36*21**	*8MX*0902116**	TDR&TXV	34,200	0.74	12.50	15.00					35,000	3.62	21,000	2.52	8.2	
EN(A,D)4X36*21**	*8MX*1102120**	TDR&TXV	34,200	0.74	12.50	15.00					35,000	3.64	21,000	2.54	8.2	
EN(A,D)4X36*21**	*9MPV100	TDR&TXV	34,600	0.74	12.50	14.50					35,600	3.64	21,400	2.54	8.4	

2009 ENERGY STAR compliance for combinations with all three: SEER 14.50 or higher and EER 12.00 or higher and HSPF 8.2 or higher.

† For coils not listed with a matching furnace or blower, coil rating applies with any indoor blower device.

- continued on next page -

**COOLING & HEATING PERFORMANCE FOR COMBINATION RATINGS (continued) Indoor Models**

For complete ratings information, use the AHRI website directory search: [www.AHRIdirectory.org](http://www.AHRIdirectory.org). New ratings may be listed online before Specification Sheets are updated.

Outdoor Model	Current Indoor Model (‡ tested combo)	Furnace Model	Factory Installed	Cool 95° F (35° C)			SEER			Heat 47° F (8.3° C)		Heat 17° F (-8.3° C)		HSPF	
				BTU/hr	S / T	EER	factory	with field TDR	with field R-410A TXV	BTU/hr	COP	BTU/hr	COP		
CXH537GKA (continued)	EN(A,D)4X36*21**	*9MVX080	TDR&TXV	34,800	0.74	12.50	14.50				35,800	3.68	21,400	2.54	8.5
	EN(A,D)4X36*21**	NOMV156E19*	TDR&TXV	33,800	0.74	12.00	14.50				34,800	3.56	20,800	2.48	8.2
	EN(A,D)4X36*21**	OLV098A12A	TDR&TXV	34,000	0.74	12.00	14.50				35,400	3.52	21,200	2.46	8.0
	EN(A,D)4X36*21**	OLV112A16A	TDR&TXV	34,400	0.74	12.00	14.50				35,600	3.60	21,200	2.50	8.2
	EN(A,D)4X36*21**	OMV098J12A	TDR&TXV	34,000	0.74	12.00	14.50				35,600	3.54	21,200	2.48	8.2
	EN(A,D)4X36*21**	OMV112K14A	TDR&TXV	34,200	0.74	12.00	14.50				35,400	3.58	21,000	2.50	8.2
	EN(A,D)4X36*21**	†	TXV	34,200	0.74	11.50			13.50		36,000	3.54	22,000	2.44	8.0
	EN(A,D)4X37*17**	*8MV*0901716**	TDR&TXV	35,400	0.74	13.00	15.00				35,400	3.84	21,200	2.62	8.5
	EN(A,D)4X37*17**	*8MX*0701716**	TDR&TXV	35,400	0.74	12.50	15.00				36,000	3.80	21,600	2.58	8.5
	EN(A,D)4X37*17**	*9MPV050	TDR&TXV	35,400	0.74	12.00	14.50				36,000	3.76	21,800	2.56	8.5
	EN(A,D)4X37*17**	*9MPV075	TDR&TXV	35,600	0.74	12.50	15.00				36,000	3.80	21,600	2.58	8.5
	EN(A,D)4X37*17**	*9MVX040	TDR&TXV	35,400	0.74	12.00	14.50				36,000	3.74	21,800	2.54	8.5
	EN(A,D)4X37*17**	*9MVX060	TDR&TXV	35,800	0.74	12.50	15.00				36,000	3.84	21,800	2.60	8.5
	EN(A,D)4X37*17**	NOMV106D12*	TDR&TXV	35,000	0.74	12.50	15.00				35,400	3.76	21,200	2.58	8.5
	EN(A,D)4X37*17**	OLV098A12A	TDR&TXV	35,400	0.74	12.50	15.00				36,000	3.76	21,400	2.58	8.5
	EN(A,D)4X37*17**	OMV098J12A	TDR&TXV	35,400	0.74	12.50	15.00				36,000	3.78	21,600	2.58	8.5
	EN(A,D)4X37*17**	OMV112K14A	TDR&TXV	35,600	0.74	12.50	15.00				36,000	3.84	21,400	2.62	8.5
	EN(A,D)4X37*17**	†	TXV	35,600	0.74	12.00			14.00		36,000	3.76	22,400	2.54	8.5
	EN(A,D)4X43*24**	*8MV*1352422**	TDR&TXV	35,600	0.74	13.00	15.00				35,400	3.88	21,000	2.64	8.7
	EN(A,D)4X43*24**	*9MPV100	TDR&TXV	36,000	0.74	12.50	15.50				36,000	4.00	21,800	2.68	9.0
	EN(A,D)4X43*24**	*9MPV125	TDR&TXV	35,600	0.74	13.00	15.00				36,000	3.98	21,800	2.68	9.0
	EN(A,D)4X43*24**	*9MVX080	TDR&TXV	36,000	0.74	12.50	15.50				36,000	4.00	21,800	2.68	9.0
	EN(A,D)4X43*24**	*9MVX100	TDR&TXV	35,600	0.74	13.00	15.00				36,000	3.96	21,600	2.66	9.0
	EN(A,D)4X43*24**	MV20L24**B*	TDR&TXV	35,600	0.74	13.00	15.00				35,400	3.96	21,000	2.68	9.0
	EN(A,D)4X43*24**	OLV112A16A	TDR&TXV	35,800	0.74	12.50	15.00				36,000	3.90	21,400	2.64	8.5
	EN(A,D)4X43*24**	OLV154F20A	TDR&TXV	36,000	0.74	12.50	15.00				36,000	4.08	21,800	2.72	9.0
	EN(A,D)4X43*24**	†	TXV	35,600	0.74	12.00			14.00		36,000	3.76	22,400	2.54	8.5
	EN(A,D,W)4X36*17**	*8MV*0901716**	TDR&TXV	34,000	0.74	12.50	15.00				34,800	3.58	20,800	2.50	8.2
	EN(A,D,W)4X36*17**	*8MX*0701716**	TDR&TXV	33,800	0.74	12.00	14.50				35,200	3.54	21,200	2.46	8.2
	EN(A,D,W)4X36*17**	NOMV106D12*	TDR&TXV	33,600	0.74	12.00	14.50				34,800	3.52	21,000	2.46	8.2
	EN(A,D,W)4X36*17**	OLV098A12A	TDR&TXV	34,000	0.74	12.00	14.50				35,400	3.52	21,200	2.46	8.0
	EN(A,D,W)4X36*17**	OMV098J12A	TDR&TXV	34,000	0.74	12.00	14.00				35,600	3.52	21,200	2.46	8.0
EN(A,D,W)4X36*17**	OMV112K14A	TDR&TXV	34,200	0.74	12.00	14.50				35,400	3.58	21,000	2.50	8.2	
EN(A,D,W)4X36*17**	†	TXV	34,200	0.74	11.50			13.50		36,000	3.54	22,000	2.44	8.0	
EN(A,D,W)4X42*21**	*8MV*1102120**	TDR&TXV	34,400	0.74	12.50	15.00				35,000	3.66	21,000	2.54	8.2	
EN(A,D,W)4X42*21**	*8MX*0902116**	TDR&TXV	34,600	0.74	12.50	15.00				35,200	3.70	21,000	2.56	8.5	
EN(A,D,W)4X42*21**	*8MX*1102120**	TDR&TXV	34,800	0.74	12.50	15.00				35,200	3.74	21,000	2.58	8.5	
EN(A,D,W)4X42*21**	*9MPV100	TDR&TXV	35,000	0.74	12.50	15.00				36,000	3.74	21,400	2.58	8.5	
EN(A,D,W)4X42*21**	*9MVX080	TDR&TXV	35,200	0.74	12.50	15.00				36,000	3.76	21,600	2.58	8.5	
EN(A,D,W)4X42*21**	NOMV156E19*	TDR&TXV	34,200	0.74	12.50	15.00				35,000	3.64	21,000	2.52	8.5	
EN(A,D,W)4X42*21**	OLV098A12A	TDR&TXV	34,400	0.74	12.00	14.50				35,600	3.60	21,200	2.50	8.2	

2009 ENERGY STAR compliance for combinations with all three: SEER 14.50 or higher and EER 12.00 or higher and HSPF 8.2 or higher.

† For coils not listed with a matching furnace or blower, coil rating applies with any indoor blower device.

- continued on next page -

## COOLING & HEATING PERFORMANCE FOR COMBINATION RATINGS (continued) Indoor Models

For complete ratings information, use the AHRI website directory search: [www.AHRIdirectory.org](http://www.AHRIdirectory.org). New ratings may be listed online before Specification Sheets are updated.

Outdoor Model	Current Indoor Model (‡ tested combo)	Furnace Model	Factory Installed	Cool 95° F (35° C)			SEER			Heat 47° F (8.3° C)		Heat 17° F (-8.3° C)		HSPF	
				BTU/hr	S / T	EER	factory	with field TDR	with field R-410A TXV	BTU/hr	COP	BTU/hr	COP		
CXH537GKA (continued)	EN(A,D,W)4X42*21**	OLV112A16A	TDR&TXV	34,800	0.74	12.50	15.00				35,800	3.68	21,400	2.54	8.5
	EN(A,D,W)4X42*21**	OMV098J12A	TDR&TXV	34,400	0.74	12.00	14.50				35,800	3.60	21,400	2.50	8.2
	EN(A,D,W)4X42*21**	OMV112K14A	TDR&TXV	34,600	0.74	12.50	15.00				35,600	3.66	21,200	2.54	8.2
	EN(A,D,W)4X42*21**	†	TXV	34,600	0.74	11.50			13.50		36,000	3.60	22,200	2.48	8.1
	END4X42*17**	*8MV*0901716**	TDR&TXV	34,600	0.74	12.50	15.00				35,200	3.70	21,000	2.56	8.2
	END4X42*17**	*8MX*0701716**	TDR&TXV	34,600	0.74	12.00	14.50				35,600	3.66	21,400	2.52	8.3
	END4X42*17**	NOMV106D12*	TDR&TXV	34,400	0.74	12.50	15.00				35,200	3.64	21,000	2.52	8.2
	END4X42*17**	OLV098A12A	TDR&TXV	34,600	0.74	12.00	14.50				35,800	3.64	21,400	2.52	8.2
	END4X42*17**	OMV098J12A	TDR&TXV	34,800	0.74	12.00	14.50				35,800	3.66	21,400	2.52	8.5
	END4X42*17**	OMV112K14A	TDR&TXV	34,800	0.74	12.50	15.00				35,600	3.72	21,200	2.56	8.5
	END4X42*17**	†	TXV	35,000	0.74	11.50			13.50		36,000	3.64	22,200	2.48	8.2
	ENH4X36*17**	*8MPV050	TDR&TXV	33,600	0.74	11.50	13.50				35,400	3.46	21,400	2.42	7.8
	ENH4X36*17**	*8MPV075	TDR&TXV	34,200	0.74	12.00	14.50				35,400	3.58	21,200	2.48	8.2
	ENH4X36*17**	*8MPV100	TDR&TXV	34,400	0.74	12.00	14.50				35,400	3.66	21,400	2.52	8.2
	ENH4X36*17**	*8MPV125	TDR&TXV	34,400	0.74	12.50	15.00				35,200	3.66	21,200	2.54	8.2
	ENH4X36*17**	*8MV*0701412**	TDR&TXV	33,800	0.74	12.00	14.50				35,000	3.54	21,000	2.48	8.0
	ENH4X36*17**	*8MV*0901716**	TDR&TXV	34,000	0.74	12.50	15.00				34,800	3.58	20,800	2.50	8.2
	ENH4X36*17**	*8MV*1102120**	TDR&TXV	34,000	0.74	12.00	15.00				35,000	3.58	21,000	2.50	8.2
	ENH4X36*17**	*8MV*1352422**	TDR&TXV	34,000	0.74	12.50	15.00				34,800	3.60	20,800	2.50	8.2
	ENH4X36*17**	*8MX*0451408**	TDR&TXV	33,800	0.74	11.50	14.00				35,600	3.50	21,400	2.44	7.9
	ENH4X36*17**	*8MX*0701716**	TDR&TXV	33,800	0.74	12.00	14.50				35,200	3.54	21,200	2.46	8.2
	ENH4X36*17**	*8MX*0902116**	TDR&TXV	34,200	0.74	12.50	15.00				35,000	3.62	21,000	2.52	8.2
	ENH4X36*17**	*8MX*1102120**	TDR&TXV	34,200	0.74	12.50	15.00				35,000	3.64	21,000	2.54	8.2
	ENH4X36*17**	*9MPV050	TDR&TXV	33,800	0.74	11.50	14.00				35,600	3.48	21,600	2.42	7.9
	ENH4X36*17**	*9MPV075	TDR&TXV	33,800	0.74	11.50	14.00				35,400	3.50	21,400	2.44	7.9
	ENH4X36*17**	*9MPV100	TDR&TXV	34,200	0.74	12.00	14.00				35,400	3.60	21,400	2.50	8.2
	ENH4X36*17**	*9MPV125	TDR&TXV	34,400	0.74	12.00	14.50				35,400	3.64	21,200	2.52	8.2
	ENH4X36*17**	*9MVX040	TDR&TXV	33,600	0.74	11.50	14.00				35,600	3.46	21,600	2.42	7.9
	ENH4X36*17**	*9MVX060	TDR&TXV	34,000	0.74	11.50	14.00				35,400	3.54	21,400	2.46	8.0
	ENH4X36*17**	*9MVX080	TDR&TXV	34,400	0.74	12.00	14.00				35,600	3.64	21,400	2.52	8.2
	ENH4X36*17**	*9MVX100	TDR&TXV	34,200	0.74	12.00	14.00				35,200	3.62	21,200	2.52	8.2
	ENH4X36*17**	MV08B15**B*	TDR&TXV	34,200	0.74	12.50	15.00				35,000	3.64	21,000	2.52	8.2
	ENH4X36*17**	MV12F19**B*	TDR&TXV	34,400	0.74	12.50	15.00				34,800	3.66	20,800	2.54	8.2
ENH4X36*17**	MV16J22**B*	TDR&TXV	34,400	0.74	12.50	15.00				34,800	3.68	20,800	2.56	8.3	
ENH4X36*17**	MV20L24**B*	TDR&TXV	34,400	0.74	12.50	15.00				34,800	3.66	20,800	2.56	8.2	
ENH4X36*17**	NOMV106D12*	TDR&TXV	33,600	0.74	12.00	14.50				34,800	3.52	21,000	2.46	8.2	
ENH4X36*17**	NOMV156E19*	TDR&TXV	33,800	0.74	12.00	14.50				35,000	3.56	21,000	2.48	8.2	
ENH4X36*17**	OLV098A12A	TDR&TXV	34,000	0.74	12.00	14.50				35,400	3.52	21,200	2.46	8.0	
ENH4X36*17**	OLV112A16A	TDR&TXV	34,400	0.74	12.00	14.50				35,600	3.60	21,400	2.50	8.2	
ENH4X36*17**	OLV154F20A	TDR&TXV	35,000	0.74	12.50	15.00				36,000	3.74	21,600	2.58	8.5	
ENH4X36*17**	OMV098J12A	TDR&TXV	34,000	0.74	12.00	14.00				35,600	3.52	21,200	2.46	8.0	
ENH4X36*17**	OMV112K14A	TDR&TXV	34,200	0.74	12.00	14.50				35,400	3.58	21,000	2.50	8.2	

2009 ENERGY STAR compliance for combinations with all three: SEER 14.50 or higher and EER 12.00 or higher and HSPF 8.2 or higher.

† For coils not listed with a matching furnace or blower, coil rating applies with any indoor blower device.

- continued on next page -

**COOLING & HEATING PERFORMANCE FOR COMBINATION RATINGS (continued) Indoor Models**

For complete ratings information, use the AHRI website directory search: [www.AHRIdirectory.org](http://www.AHRIdirectory.org). New ratings may be listed online before Specification Sheets are updated.

Outdoor Model	Current Indoor Model (‡ tested combo)	Furnace Model	Factory Installed	Cool 95° F (35° C)			SEER			Heat 47° F (8.3° C)		Heat 17° F (-8.3° C)		HSPF
				BTU/hr	S / T	EER	factory	with field TDR	with field R-410A TXV	BTU/hr	COP	BTU/hr	COP	
CXH537GKA (continued)	ENH4X36*17**	†	TXV	34,200	0.74	11.50		13.50		36,000	3.54	22,000	2.44	8.0
	ENH4X42*21**	*8MPV050	TDR&TXV	34,000	0.74	11.50	14.00			35,600	3.52	21,600	2.44	8.0
	ENH4X42*21**	*8MPV075	TDR&TXV	34,600	0.74	12.00	14.50			35,600	3.68	21,400	2.52	8.3
	ENH4X42*21**	*8MPV100	TDR&TXV	35,000	0.74	12.50	15.00			35,800	3.76	21,400	2.58	8.5
	ENH4X42*21**	*8MPV125	TDR&TXV	35,000	0.74	12.50	15.00			35,600	3.76	21,400	2.58	8.5
	ENH4X42*21**	*8MV*0701412**	TDR&TXV	34,200	0.74	12.00	14.50			35,200	3.62	21,000	2.50	8.2
	ENH4X42*21**	*8MV*0901716**	TDR&TXV	34,400	0.74	12.50	15.00			35,000	3.66	21,000	2.54	8.2
	ENH4X42*21**	*8MV*1102120**	TDR&TXV	34,400	0.74	12.50	15.00			35,000	3.66	21,000	2.54	8.2
	ENH4X42*21**	*8MV*1352422**	TDR&TXV	34,400	0.74	12.50	15.00			35,000	3.68	20,800	2.54	8.2
	ENH4X42*21**	*8MX*0451408**	TDR&TXV	34,200	0.74	12.00	14.00			35,800	3.58	21,600	2.48	8.1
	ENH4X42*21**	*8MX*0701716**	TDR&TXV	34,400	0.74	12.00	14.50			35,400	3.62	21,400	2.50	8.2
	ENH4X42*21**	*8MX*0902116**	TDR&TXV	34,600	0.74	12.50	15.00			35,200	3.70	21,000	2.56	8.5
	ENH4X42*21**	*8MX*1102120**	TDR&TXV	34,800	0.74	12.50	15.00			35,200	3.74	21,000	2.58	8.5
	ENH4X42*21**	*9MPV050	TDR&TXV	34,200	0.74	11.50	14.00			35,800	3.56	21,600	2.46	8.0
	ENH4X42*21**	*9MPV075	TDR&TXV	34,400	0.74	12.00	14.50			35,600	3.58	21,400	2.48	8.2
	ENH4X42*21**	*9MPV100	TDR&TXV	34,800	0.74	12.00	15.00			35,800	3.70	21,600	2.54	8.3
	ENH4X42*21**	*9MPV125	TDR&TXV	35,000	0.74	12.50	15.00			35,600	3.74	21,400	2.56	8.5
	ENH4X42*21**	*9MVX040	TDR&TXV	34,200	0.74	11.50	14.00			35,800	3.54	21,600	2.46	8.0
	ENH4X42*21**	*9MVX060	TDR&TXV	34,600	0.74	12.00	14.50			35,800	3.62	21,600	2.50	8.2
	ENH4X42*21**	*9MVX080	TDR&TXV	35,000	0.74	12.00	15.00			35,800	3.74	21,600	2.56	8.4
	ENH4X42*21**	*9MVX100	TDR&TXV	34,800	0.74	12.50	15.00			35,400	3.70	21,200	2.56	8.5
	ENH4X42*21**	MV08B15**B*	TDR&TXV	34,600	0.74	12.50	15.00			35,200	3.72	21,000	2.56	8.5
	ENH4X42*21**	MV12F19**B*	TDR&TXV	34,800	0.74	13.00	15.00			35,000	3.74	20,800	2.58	8.4
	ENH4X42*21**	MV16J22**B*	TDR&TXV	34,800	0.74	13.00	15.00			35,000	3.76	20,800	2.60	8.4
	ENH4X42*21**	MV20L24**B*	TDR&TXV	34,800	0.74	13.00	15.00			35,000	3.74	20,800	2.58	8.4
	ENH4X42*21**	NOMV106D12*	TDR&TXV	34,200	0.74	12.00	15.00			35,000	3.60	21,000	2.50	8.2
	ENH4X42*21**	NOMV156E19*	TDR&TXV	34,200	0.74	12.50	15.00			35,000	3.64	21,000	2.52	8.2
	ENH4X42*21**	OLV098A12A	TDR&TXV	34,400	0.74	12.00	14.50			35,600	3.60	21,200	2.50	8.2
	ENH4X42*21**	OLV112A16A	TDR&TXV	34,800	0.74	12.50	15.00			35,800	3.68	21,400	2.54	8.5
	ENH4X42*21**	OLV154F20A	TDR&TXV	35,600	0.74	12.50	15.00			36,000	3.84	21,600	2.62	8.5
	ENH4X42*21**	OMV098J12A	TDR&TXV	34,400	0.74	12.00	14.50			35,800	3.60	21,400	2.50	8.2
	ENH4X42*21**	OMV112K14A	TDR&TXV	34,600	0.74	12.50	15.00			35,600	3.66	21,200	2.54	8.2
	ENH4X42*21**	†	TXV	34,600	0.74	11.50		13.50		36,400	3.60	22,200	2.48	8.1
ENH4X43*21**	*8MPV050	TDR&TXV	35,200	0.74	12.00	14.50			36,000	3.72	21,800	2.52	8.3	
ENH4X43*21**	*8MPV075	TDR&TXV	35,600	0.74	12.50	15.00			36,000	3.88	21,800	2.62	8.6	
ENH4X43*21**	*8MPV100	TDR&TXV	35,600	0.74	13.00	15.00			36,000	3.98	21,800	2.68	9.0	
ENH4X43*21**	*8MPV125	TDR&TXV	35,600	0.74	13.00	15.00			36,000	4.00	21,600	2.68	9.0	
ENH4X43*21**	*8MV*0701412**	TDR&TXV	35,200	0.74	12.50	15.00			35,600	3.80	21,200	2.58	8.5	
ENH4X43*21**	*8MV*0901716**	TDR&TXV	35,400	0.74	13.00	15.00			35,400	3.84	21,200	2.62	8.5	
ENH4X43*21**	*8MV*1102120**	TDR&TXV	35,400	0.74	13.00	15.00			35,600	3.86	21,200	2.62	8.5	

2009 ENERGY STAR compliance for combinations with all three: SEER 14.50 or higher and EER 12.00 or higher and HSPF 8.2 or higher.

† For coils not listed with a matching furnace or blower, coil rating applies with any indoor blower device.

- continued on next page -

**COOLING & HEATING PERFORMANCE FOR COMBINATION RATINGS (continued) Indoor Models**

For complete ratings information, use the AHRI website directory search: [www.AHRIdirectory.org](http://www.AHRIdirectory.org). New ratings may be listed online before Specification Sheets are updated.

Outdoor Model	Current Indoor Model (‡ tested combo)	Furnace Model	Factory Installed	Cool 95° F (35° C)			SEER			Heat 47° F (8.3° C)		Heat 17° F (-8.3° C)		HSPF			
				BTU/hr	S / T	EER	factory	with field TDR	with field R-410A TXV	BTU/hr	COP	BTU/hr	COP				
CXH537GKA (continued)	ENH4X43*21**	*8MV*1352422**	TDR&TXV	35,400	0.74	13.00	15.00				35,400	3.88	21,000	2.64	8.5		
	ENH4X43*21**	*8MX*0451408**	TDR&TXV	35,400	0.74	12.00	14.50				36,000	3.76	22,000	2.56	8.5		
	ENH4X43*21**	*8MX*0701716**	TDR&TXV	35,600	0.74	12.50	15.00				36,000	3.82	21,600	2.60	8.5		
	ENH4X43*21**	*8MX*0902116**	TDR&TXV	35,800	0.74	13.00	15.00				35,800	3.92	21,400	2.66	9.0		
	ENH4X43*21**	*8MX*1102120**	TDR&TXV	35,600	0.74	13.00	15.00				35,800	3.96	21,400	2.68	9.0		
	ENH4X43*21**	*9MPV050	TDR&TXV	35,400	0.74	12.00	14.50				36,000	3.74	22,000	2.54	8.4		
	ENH4X43*21**	*9MPV075	TDR&TXV	35,400	0.74	12.00	15.00				36,000	3.80	21,800	2.56	8.5		
	ENH4X43*21**	*9MPV100	TDR&TXV	35,600	0.74	12.50	15.00				36,000	3.94	21,800	2.64	8.7		
	ENH4X43*21**	*9MPV125	TDR&TXV	35,600	0.74	13.00	15.00				36,000	3.96	21,800	2.66	8.7		
	ENH4X43*21**	*9MVX040	TDR&TXV	35,200	0.74	12.00	14.50				36,000	3.74	22,000	2.54	8.4		
	ENH4X43*21**	*9MVX060	TDR&TXV	35,600	0.74	12.50	15.00				36,000	3.82	21,800	2.58	8.6		
	ENH4X43*21**	*9MVX080	TDR&TXV	35,600	0.74	12.50	15.00				36,000	3.94	22,000	2.64	8.7		
	ENH4X43*21**	*9MVX100	TDR&TXV	35,600	0.74	13.00	15.00				36,000	3.94	21,600	2.66	8.7		
	ENH4X43*21**	MV08B15**B*	TDR&TXV	35,600	0.74	13.00	15.00				35,600	3.92	21,200	2.66	8.7		
	ENH4X43*21**	MV12F19**B*	TDR&TXV	35,600	0.74	13.00	15.00				35,400	3.94	21,200	2.68	8.7		
	ENH4X43*21**	MV16J22**B*	TDR&TXV	35,600	0.74	13.00	15.00				35,400	3.96	21,000	2.68	8.7		
	ENH4X43*21**	MV20L24**B*	TDR&TXV	35,600	0.74	13.00	15.00				35,400	3.94	21,000	2.68	8.7		
	ENH4X43*21**	NOMV106D12*	TDR&TXV	35,200	0.74	12.50	15.00				35,400	3.78	21,200	2.58	8.5		
	ENH4X43*21**	NOMV156E19*	TDR&TXV	35,400	0.74	13.00	15.00				35,400	3.82	21,200	2.60	8.5		
	ENH4X43*21**	OLV098A12A	TDR&TXV	35,400	0.74	12.50	15.00				36,000	3.78	21,400	2.58	8.5		
	ENH4X43*21**	OLV112A16A	TDR&TXV	35,800	0.74	12.50	15.00				36,000	3.88	21,400	2.64	8.5		
	ENH4X43*21**	OLV154F20A	TDR&TXV	36,000	0.74	12.50	15.00				36,000	4.06	21,800	2.72	8.5		
	ENH4X43*21**	OMV098J12A	TDR&TXV	35,400	0.74	12.50	15.00				36,000	3.80	21,400	2.60	8.5		
	ENH4X43*21**	OMV112K14A	TDR&TXV	35,600	0.74	12.50	15.00				36,000	3.86	21,200	2.62	8.5		
	ENH4X43*21**	†	TXV	35,600	0.74	12.00			14.00			36,000	3.76	22,400	2.54	8.5	
	FEA4X36**A*	—	TDR&TXV	34,000	0.74	11.50	14.00					35,200	3.54	22,000	2.46	8.2	
	FEM4P36**A*+TXV	—	TDR	34,000	0.74	12.00					14.00		35,800	3.62	21,600	2.48	8.2
	FEM4P36**A*	—	TDR	34,000	0.74	11.50	13.50						35,800	3.62	21,400	2.48	8.1
	FEM4P42**A*+TXV	—	TDR	35,600	0.74	12.50					15.00		36,000	3.82	21,600	2.60	8.6
	FEM4P42**A*	—	TDR	35,200	0.74	12.00	14.00						36,000	3.82	21,400	2.62	8.6
	FEM4X36****	—	TDR&TXV	35,600	0.74	12.50	15.00						36,000	3.78	21,800	2.58	8.6
	FEM4X42****	—	TDR&TXV	35,600	0.74	12.50	15.00						36,000	3.76	21,800	2.56	8.6
	FS(M,U)4P36**A*+TXV	—	TDR	34,600	0.74	12.00					14.00		36,000	3.62	21,800	2.48	8.2
	FS(M,U)4P36**A*	—	TDR	34,200	0.74	11.50	13.20						36,000	3.62	21,800	2.50	8.2
	FS(M,U)4P42**A*+TXV	—	TDR	35,200	0.74	12.20					14.50		36,000	3.70	22,000	2.54	8.4
FS(M,U)4P42**A*	—	TDR	35,000	0.74	11.50	13.20						36,000	3.72	21,800	2.54	8.4	
FS(M,U)4X42****	—	TDR&TXV	35,000	0.74	11.50	14.00						36,600	3.60	22,400	2.46	8.2	
FSA4X36**A*	—	TDR&TXV	34,400	0.74	11.00	13.00						36,000	3.50	22,200	2.42	8.0	
FSM4X36****	—	TDR&TXV	35,000	0.74	11.20	13.50						36,000	3.62	22,200	2.48	8.2	
FSU4X36****	—	TDR&TXV	34,200	0.74	11.50	13.50						36,000	3.52	22,200	2.42	8.0	
FVM4X24****	—	TDR&TXV	34,200	0.74	12.50	15.00						35,400	3.66	21,000	2.50	8.5	
FVM4X36****	—	TDR&TXV	34,600	0.74	13.00	15.00						35,000	3.68	20,800	2.54	8.5	

2009 ENERGY STAR compliance for combinations with all three: SEER 14.50 or higher and EER 12.00 or higher and HSPF 8.2 or higher.

† For coils not listed with a matching furnace or blower, coil rating applies with any indoor blower device.

- continued on next page -

**COOLING & HEATING PERFORMANCE FOR COMBINATION RATINGS (continued) Indoor Models**

For complete ratings information, use the AHRI website directory search: [www.AHRIdirectory.org](http://www.AHRIdirectory.org). New ratings may be listed online before Specification Sheets are updated.

Outdoor Model	Current Indoor Model (‡ tested combo)	Furnace Model	Factory Installed	Cool 95° F (35° C)			SEER			Heat 47° F (8.3° C)		Heat 17° F (-8.3° C)		HSPF	
				BTU/hr	S / T	EER	factory	with field TDR	with field R-410A TXV	BTU/hr	COP	BTU/hr	COP		
CXH537GKA (continued)	FVM4X48***	—	TDR&TXV	35,800	0.74	13.00	15.00				35,400	3.88	21,000	2.64	8.9
	FVM4X60***	—	TDR&TXV	36,000	0.74	13.00	15.00				35,400	3.98	21,000	2.70	9.0
	FXM4X42**A*	—	TDR&TXV	35,600	0.74	13.00	15.50				36,000	3.84	21,400	2.62	8.7
CXH542GKA	‡FXM4X42**A*	—	TDR&TXV	41,500	0.75	12.50	15.00				41,500	3.82	26,400	2.62	8.7
	ED*4X42F**	*8MPV075	TDR&TXV	41,000	0.75	11.50	14.00				42,000	3.64	26,200	2.52	8.2
	ED*4X42F**	*9MPV075	TDR&TXV	40,500	0.75	11.50	13.50				42,000	3.56	26,400	2.48	8.0
	ED*4X42F**	*9MVX060	TDR&TXV	40,500	0.75	11.50	13.50				42,000	3.60	26,400	2.50	8.0
	ED*4X42F**	MV12F19**B*	TDR&TXV	41,000	0.75	12.50	15.00				42,000	3.74	25,600	2.60	8.5
	ED*4X42F**	OLV112A16A	TDR&TXV	41,000	0.75	11.50	13.50				42,000	3.62	26,400	2.52	8.2
	ED*4X42F**	OMV112K14A	TDR&TXV	40,500	0.75	12.00	14.00				42,000	3.62	26,000	2.52	8.2
	ED*4X42F**	†	TXV	40,500	0.75	11.50		13.50			42,000	3.62	27,000	2.50	8.0
	ED*4X42J**	*8MPV100	TDR&TXV	41,500	0.75	12.00	14.50				42,000	3.74	26,000	2.60	8.5
	ED*4X42J**	*8MPV125	TDR&TXV	41,500	0.75	12.00	14.50				42,000	3.74	26,000	2.60	8.5
	ED*4X42J**	*8MV*1102120**	TDR&TXV	41,000	0.75	12.00	14.50				42,000	3.68	25,600	2.56	8.2
	ED*4X42J**	*8MX*0902116**	TDR&TXV	41,000	0.75	12.00	14.50				42,000	3.70	25,800	2.58	8.2
	ED*4X42J**	*8MX*1102120**	TDR&TXV	41,000	0.75	12.50	14.50				42,000	3.72	25,600	2.58	8.3
	ED*4X42J**	*9MPV100	TDR&TXV	41,000	0.75	12.00	14.00				42,000	3.70	26,200	2.56	8.2
	ED*4X42J**	*9MVX080	TDR&TXV	41,500	0.75	12.00	14.00				42,000	3.70	26,200	2.56	8.2
	ED*4X42J**	MV16J22**B*	TDR&TXV	41,000	0.75	12.50	15.00				42,000	3.76	25,600	2.62	8.5
	ED*4X42J**	NOMV156E19*	TDR&TXV	40,500	0.75	12.00	14.50				42,000	3.64	25,600	2.54	8.2
	ED*4X42J**	OLV112A16A	TDR&TXV	41,000	0.75	11.50	14.00				42,000	3.64	26,400	2.52	8.2
	ED*4X42J**	†	TXV	41,000	0.75	11.50		13.50			42,000	3.62	27,000	2.50	8.0
	ED*4X42L**	*8MV*1352422**	TDR&TXV	41,000	0.75	12.50	14.50				41,500	3.70	25,600	2.58	8.3
	ED*4X42L**	*8MX*1352420**	TDR&TXV	41,000	0.75	12.00	14.50				42,000	3.72	25,800	2.58	8.3
	ED*4X42L**	*9MPV125	TDR&TXV	41,000	0.75	12.00	14.50				42,000	3.72	26,000	2.58	8.5
	ED*4X42L**	*9MVX100	TDR&TXV	41,000	0.75	12.00	14.50				42,000	3.70	26,000	2.58	8.5
	ED*4X42L**	MV20L24**B*	TDR&TXV	41,500	0.75	12.50	15.00				42,000	3.76	25,400	2.62	8.5
	ED*4X42L**	OLV112A16A	TDR&TXV	41,000	0.75	12.00	14.00				42,000	3.64	26,200	2.52	8.2
	ED*4X42L**	OLV154F20A	TDR&TXV	42,000	0.75	12.00	14.50				42,000	3.78	26,400	2.60	8.5
	ED*4X42L**	†	TXV	41,000	0.75	11.50		13.50			42,000	3.62	27,000	2.50	8.0
	ED*4X48F**	*8MPV075	TDR&TXV	42,000	0.75	12.00	14.50				42,000	3.80	26,600	2.60	8.5
	ED*4X48F**	*8MV*0901716**	TDR&TXV	41,500	0.75	12.50	15.00				42,000	3.82	26,000	2.62	8.5
	ED*4X48F**	*8MX*0701716**	TDR&TXV	41,500	0.75	12.00	14.00				42,000	3.76	26,600	2.56	8.2
	ED*4X48F**	*9MPV075	TDR&TXV	41,500	0.75	11.50	14.00				42,000	3.72	26,600	2.54	8.2
	ED*4X48F**	*9MVX060	TDR&TXV	41,500	0.75	12.00	14.00				42,000	3.76	26,800	2.56	8.2
ED*4X48F**	MV12F19**B*	TDR&TXV	42,000	0.75	12.50	15.00				42,000	3.90	26,000	2.68	8.7	
ED*4X48F**	OLV112A16A	TDR&TXV	42,000	0.75	12.00	14.00				42,000	3.78	26,800	2.58	8.5	
ED*4X48F**	OMV112K14A	TDR&TXV	41,500	0.75	12.00	14.50				42,000	3.78	26,400	2.58	8.2	
ED*4X48F**	†	TXV	42,000	0.75	11.50		14.00			42,000	3.80	27,200	2.58	8.2	
ED*4X48J**	*8MPV100	TDR&TXV	42,000	0.75	12.50	15.00				42,000	3.84	26,200	2.64	8.5	
ED*4X48J**	*8MPV125	TDR&TXV	42,000	0.75	12.50	15.00				42,000	3.86	26,200	2.64	8.5	
ED*4X48J**	*8MV*1102120**	TDR&TXV	41,500	0.75	12.50	15.00				42,000	3.78	26,000	2.60	8.5	

2009 ENERGY STAR compliance for combinations with all three: SEER 14.50 or higher and EER 12.00 or higher and HSPF 8.2 or higher.

† For coils not listed with a matching furnace or blower, coil rating applies with any indoor blower device.

- continued on next page -

**COOLING & HEATING PERFORMANCE FOR COMBINATION RATINGS (continued) Indoor Models**

For complete ratings information, use the AHRI website directory search: [www.AHRIdirectory.org](http://www.AHRIdirectory.org). New ratings may be listed online before Specification Sheets are updated.

Outdoor Model	Current Indoor Model (‡ tested combo)	Furnace Model	Factory Installed	Cool 95° F (35° C)			SEER			Heat 47° F (8.3° C)		Heat 17° F (-8.3° C)		HSPF	
				BTU/hr	S / T	EER	factory	with field TDR	with field R-410A TXV	BTU/hr	COP	BTU/hr	COP		
CXH542GKA (continued)	ED*4X48J**	*8MX*0902116**	TDR&TXV	41,500	0.75	12.50	15.00				42,000	3.80	26,000	2.62	8.5
	ED*4X48J**	*8MX*1102120**	TDR&TXV	41,500	0.75	12.50	15.00				42,000	3.82	25,800	2.64	8.5
	ED*4X48J**	*9MPV100	TDR&TXV	42,000	0.75	12.00	14.50				42,000	3.80	26,400	2.60	8.5
	ED*4X48J**	*9MVX080	TDR&TXV	42,000	0.75	12.00	14.50				42,000	3.82	26,400	2.62	8.5
	ED*4X48J**	MV16J22**B*	TDR&TXV	42,000	0.75	12.50	15.00				42,000	3.88	25,800	2.66	8.7
	ED*4X48J**	NOMV156E19*	TDR&TXV	41,500	0.75	12.00	14.50				42,000	3.76	25,800	2.60	8.5
	ED*4X48J**	OLV112A16A	TDR&TXV	41,500	0.75	12.00	14.00				42,000	3.74	26,600	2.56	8.2
	ED*4X48J**	†	TXV	42,000	0.75	11.50		14.00			42,000	3.74	27,000	2.54	8.2
	ED*4X48L**	*8MV*1352422**	TDR&TXV	41,500	0.75	12.50	15.00				42,000	3.82	25,800	2.64	8.5
	ED*4X48L**	*8MX*1352420**	TDR&TXV	42,000	0.75	12.50	15.00				42,000	3.84	26,000	2.64	8.5
	ED*4X48L**	*9MPV125	TDR&TXV	42,000	0.75	12.50	15.00				42,000	3.84	26,200	2.64	8.5
	ED*4X48L**	*9MVX100	TDR&TXV	42,000	0.75	12.50	15.00				42,000	3.82	26,200	2.62	8.5
	ED*4X48L**	MV20L24**B*	TDR&TXV	42,000	0.75	12.50	15.00				42,000	3.88	25,800	2.68	8.8
	ED*4X48L**	OLV112A16A	TDR&TXV	41,500	0.75	12.00	14.00				42,000	3.76	26,400	2.58	8.2
	ED*4X48L**	OLV154F20A	TDR&TXV	42,000	0.75	12.50	15.00				42,000	3.90	26,600	2.66	8.5
	ED*4X48L**	†	TXV	42,000	0.75	11.50		14.00			42,000	3.74	27,000	2.54	8.2
	EHD4X42A**	*8MPV075	TDR&TXV	41,500	0.75	12.00	14.00				42,000	3.76	26,400	2.58	8.2
	EHD4X42A**	*8MPV100	TDR&TXV	41,500	0.75	12.00	14.50				42,000	3.86	26,200	2.64	8.5
	EHD4X42A**	*8MPV125	TDR&TXV	41,500	0.75	12.00	14.50				42,000	3.86	26,200	2.64	8.5
	EHD4X42A**	*8MV*0701412**	TDR&TXV	41,000	0.75	12.00	14.00				42,000	3.72	26,200	2.56	8.1
	EHD4X42A**	*8MV*0901716**	TDR&TXV	41,500	0.75	12.50	15.00				42,000	3.78	26,000	2.62	8.5
	EHD4X42A**	*8MV*1102120**	TDR&TXV	41,500	0.75	12.50	15.00				42,000	3.80	26,000	2.62	8.2
	EHD4X42A**	*8MV*1352422**	TDR&TXV	41,500	0.75	12.50	15.00				42,000	3.82	25,800	2.64	8.2
	EHD4X42A**	*8MX*0701716**	TDR&TXV	41,000	0.75	11.50	13.50				42,000	3.72	26,600	2.56	8.1
	EHD4X42A**	*8MX*0902116**	TDR&TXV	41,500	0.75	12.50	15.00				42,000	3.82	26,000	2.62	8.5
	EHD4X42A**	*8MX*1102120**	TDR&TXV	41,500	0.75	12.50	15.00				42,000	3.84	26,000	2.64	8.2
	EHD4X42A**	*8MX*1352420**	TDR&TXV	41,500	0.75	12.50	15.00				42,000	3.82	26,000	2.62	8.2
	EHD4X42A**	*9MPV075	TDR&TXV	41,000	0.75	11.50	13.50				42,000	3.68	26,600	2.54	8.0
	EHD4X42A**	*9MPV100	TDR&TXV	41,000	0.75	12.00	14.00				42,000	3.82	26,400	2.62	8.2
	EHD4X42A**	*9MPV125	TDR&TXV	41,000	0.75	12.00	14.50				42,000	3.82	26,200	2.62	8.5
	EHD4X42A**	*9MVX060	TDR&TXV	41,000	0.75	11.50	13.50				42,000	3.72	26,600	2.56	8.0
	EHD4X42A**	*9MVX080	TDR&TXV	41,500	0.75	12.00	14.00				42,000	3.82	26,400	2.62	8.2
EHD4X42A**	*9MVX100	TDR&TXV	41,000	0.75	12.00	14.50				42,000	3.80	26,200	2.62	8.5	
EHD4X42A**	MV12F19**B*	TDR&TXV	41,500	0.75	12.50	15.00				42,000	3.88	25,800	2.66	8.5	
EHD4X42A**	MV16J22**B*	TDR&TXV	41,000	0.75	12.50	15.00				42,000	3.88	25,800	2.68	8.5	
EHD4X42A**	MV20L24**B*	TDR&TXV	41,500	0.75	12.50	15.00				42,000	3.88	25,800	2.68	8.5	
EHD4X42A**	NOMV156E19*	TDR&TXV	41,500	0.75	12.50	14.50				42,000	3.76	25,800	2.60	8.5	
EHD4X42A**	OLV112A16A	TDR&TXV	42,000	0.75	12.00	14.00				42,000	3.76	26,600	2.58	8.2	
EHD4X42A**	OLV154F20A	TDR&TXV	42,000	0.75	12.50	15.00				42,000	3.90	26,800	2.66	8.5	
EHD4X42A**	OMV112K14A	TDR&TXV	41,500	0.75	12.00	14.50				42,000	3.74	26,200	2.58	8.2	
EHD4X42A**	†	TXV	41,000	0.75	11.50		13.50			42,000	3.76	27,200	2.56	8.0	
EHD4X48A**	*8MPV075	TDR&TXV	42,000	0.75	12.00	14.50				42,000	3.80	26,400	2.60	8.5	

2009 ENERGY STAR compliance for combinations with all three: SEER 14.50 or higher and EER 12.00 or higher and HSPF 8.2 or higher.  
 † For coils not listed with a matching furnace or blower, coil rating applies with any indoor blower device.

- continued on next page -

PRODUCT SPECIFICATIONS

Split System Heat Pump: CXHS

**COOLING & HEATING PERFORMANCE FOR COMBINATION RATINGS (continued) Indoor Models**

For complete ratings information, use the AHRI website directory search: [www.AHRIdirectory.org](http://www.AHRIdirectory.org). New ratings may be listed online before Specification Sheets are updated.

Outdoor Model	Current Indoor Model (‡ tested combo)	Furnace Model	Factory Installed	Cool 95° F (35° C)			SEER			Heat 47° F (8.3° C)		Heat 17° F (-8.3° C)		HSPF	
				BTU/hr	S / T	EER	factory	with field TDR	with field R-410A TXV	BTU/hr	COP	BTU/hr	COP		
CXH542GKA (continued)	EHD4X48A**	*8MPV100	TDR&TXV	42,000	0.75	12.50	15.00				42,000	3.88	26,200	2.66	8.5
	EHD4X48A**	*8MPV125	TDR&TXV	42,000	0.75	12.50	15.00				42,000	3.88	26,200	2.66	8.5
	EHD4X48A**	*8MV*0701412**	TDR&TXV	41,500	0.75	12.00	14.50				42,000	3.74	26,200	2.58	8.2
	EHD4X48A**	*8MV*0901716**	TDR&TXV	41,500	0.75	12.50	15.00				42,000	3.82	26,000	2.62	8.4
	EHD4X48A**	*8MV*1102120**	TDR&TXV	41,500	0.75	12.50	15.00				42,000	3.82	26,000	2.62	8.5
	EHD4X48A**	*8MV*1352422**	TDR&TXV	42,000	0.75	12.50	15.00				42,000	3.86	25,800	2.64	8.5
	EHD4X48A**	*8MX*0701716**	TDR&TXV	41,500	0.75	12.00	14.00				42,000	3.74	26,600	2.56	8.1
	EHD4X48A**	*8MX*0902116**	TDR&TXV	42,000	0.75	12.50	15.00				42,000	3.84	26,000	2.64	8.5
	EHD4X48A**	*8MX*1102120**	TDR&TXV	42,000	0.75	12.50	15.00				42,000	3.86	26,000	2.66	8.5
	EHD4X48A**	*8MX*1352420**	TDR&TXV	42,000	0.75	12.50	15.00				42,000	3.84	26,000	2.64	8.4
	EHD4X48A**	*9MPV075	TDR&TXV	41,500	0.75	11.50	14.00				42,000	3.72	26,600	2.54	8.2
	EHD4X48A**	*9MPV100	TDR&TXV	42,000	0.75	12.50	15.00				42,000	3.84	26,400	2.62	8.5
	EHD4X48A**	*9MPV125	TDR&TXV	42,000	0.75	12.50	15.00				42,000	3.86	26,200	2.64	8.5
	EHD4X48A**	*9MVX060	TDR&TXV	41,500	0.75	12.00	14.00				42,000	3.76	26,600	2.56	8.2
	EHD4X48A**	*9MVX080	TDR&TXV	42,000	0.75	12.00	14.50				42,000	3.86	26,600	2.62	8.5
	EHD4X48A**	*9MVX100	TDR&TXV	42,000	0.75	12.50	15.00				42,000	3.84	26,200	2.62	8.5
	EHD4X48A**	MV12F19**B*	TDR&TXV	42,000	0.75	12.50	15.00				42,000	3.90	26,000	2.68	8.7
	EHD4X48A**	MV16J22**B*	TDR&TXV	42,000	0.75	12.50	15.00				42,000	3.92	25,800	2.68	8.7
	EHD4X48A**	MV20L24**B*	TDR&TXV	42,000	0.75	12.50	15.00				42,000	3.92	25,800	2.68	8.8
	EHD4X48A**	NOMV156E19*	TDR&TXV	41,500	0.75	12.50	15.00				42,000	3.80	26,000	2.62	8.5
	EHD4X48A**	OLV112A16A	TDR&TXV	42,000	0.75	12.00	14.50				42,000	3.78	26,600	2.58	8.5
	EHD4X48A**	OLV154F20A	TDR&TXV	42,000	0.75	12.50	15.00				42,000	3.92	26,800	2.66	8.5
	EHD4X48A**	OMV112K14A	TDR&TXV	42,000	0.75	12.00	14.50				42,000	3.78	26,400	2.58	8.2
	EHD4X48A**	†	TXV	42,000	0.75	11.50			14.00		42,000	3.78	27,200	2.56	8.2
	EMA4X48D**	†	TXV	41,500	0.75	11.50			13.50		42,000	3.70	27,000	2.54	8.2
	EN(A,D)4X43*24**	*8MV*1102120**	TDR&TXV	42,000	0.75	12.50	15.00				42,000	3.90	26,000	2.68	8.5
	EN(A,D)4X43*24**	*8MV*1352422**	TDR&TXV	42,000	0.75	13.00	15.50				42,000	3.94	25,800	2.70	8.7
	EN(A,D)4X43*24**	*8MX*1102120**	TDR&TXV	42,000	0.75	13.00	15.50				42,000	3.96	26,000	2.70	8.6
	EN(A,D)4X43*24**	*8MX*1352420**	TDR&TXV	42,000	0.75	13.00	15.50				42,000	3.96	26,200	2.70	8.6
	EN(A,D)4X43*24**	*9MPV100	TDR&TXV	42,000	0.75	12.50	15.00				42,000	3.94	26,600	2.68	8.5
	EN(A,D)4X43*24**	*9MPV125	TDR&TXV	42,000	0.75	12.50	15.00				42,000	3.94	26,400	2.68	8.5
	EN(A,D)4X43*24**	*9MVX080	TDR&TXV	42,000	0.75	12.50	15.00				42,000	3.94	26,600	2.68	8.5
EN(A,D)4X43*24**	*9MVX100	TDR&TXV	42,000	0.75	12.50	15.00				42,000	3.92	26,200	2.68	8.5	
EN(A,D)4X43*24**	OLV112A16A	TDR&TXV	42,000	0.75	12.00	14.50				42,000	3.86	26,600	2.62	8.5	
EN(A,D)4X43*24**	OLV154F20A	TDR&TXV	42,000	0.75	12.50	15.00				42,000	4.02	26,800	2.72	8.5	
EN(A,D)4X43*24**	†	TXV	42,000	0.75	12.00	14.00				42,000	3.82	27,400	2.60	8.4	
EN(A,D)4X48*24**	*8MV*1352422**	TDR&TXV	41,500	0.75	12.50	15.00				42,000	3.82	25,800	2.64	8.5	
EN(A,D)4X48*24**	*8MX*1352420**	TDR&TXV	42,000	0.75	12.50	15.00				42,000	3.84	26,000	2.64	8.5	
EN(A,D)4X48*24**	*9MPV100	TDR&TXV	42,000	0.75	12.50	14.50				42,000	3.84	26,400	2.62	8.5	
EN(A,D)4X48*24**	*9MPV125	TDR&TXV	42,000	0.75	12.50	15.00				42,000	3.84	26,200	2.64	8.5	

2009 ENERGY STAR compliance for combinations with all three: SEER 14.50 or higher and EER 12.00 or higher and HSPF 8.2 or higher.

† For coils not listed with a matching furnace or blower, coil rating applies with any indoor blower device.

- continued on next page -

## COOLING & HEATING PERFORMANCE FOR COMBINATION RATINGS (continued) Indoor Models

For complete ratings information, use the AHRI website directory search: [www.AHRIdirectory.org](http://www.AHRIdirectory.org). New ratings may be listed online before Specification Sheets are updated.

Outdoor Model	Current Indoor Model (‡ tested combo)	Furnace Model	Factory Installed	Cool 95° F (35° C)			SEER			Heat 47° F (8.3° C)		Heat 17° F (-8.3° C)		HSPF	
				BTU/hr	S / T	EER	factory	with field TDR	with field R-410A TXV	BTU/hr	COP	BTU/hr	COP		
CXH542GKA (continued)	EN(A,D)4X48*24**	*9MVX080	TDR&TXV	42,000	0.75	12.50	14.50				42,000	3.84	26,400	2.62	8.5
	EN(A,D)4X48*24**	*9MVX100	TDR&TXV	42,000	0.75	12.50	15.00				42,000	3.82	26,200	2.62	8.5
	EN(A,D)4X48*24**	OLV112A16A	TDR&TXV	42,000	0.75	12.00	14.50				42,000	3.76	26,400	2.58	8.2
	EN(A,D)4X48*24**	OLV154F20A	TDR&TXV	42,000	0.75	12.50	15.00				42,000	3.90	26,600	2.66	8.5
	EN(A,D)4X48*24**	†	TXV	42,000	0.75	11.50			14.00		42,000	3.74	27,000	2.56	8.2
	EN(A,D,W)4X42*21**	*8MV*1102120**	TDR&TXV	41,000	0.75	12.00	14.50				42,000	3.66	25,800	2.56	8.2
	EN(A,D,W)4X42*21**	*8MX*0902116**	TDR&TXV	41,000	0.75	12.00	14.50				42,000	3.68	25,800	2.56	8.2
	EN(A,D,W)4X42*21**	*8MX*1102120**	TDR&TXV	41,000	0.75	12.00	14.50				42,000	3.70	25,600	2.58	8.2
	EN(A,D,W)4X42*21**	*9MPV100	TDR&TXV	41,000	0.75	12.00	14.00				42,000	3.68	26,200	2.56	8.2
	EN(A,D,W)4X42*21**	*9MVX060	TDR&TXV	40,500	0.75	11.50	13.50				42,000	3.60	26,400	2.50	8.0
	EN(A,D,W)4X42*21**	*9MVX080	TDR&TXV	41,000	0.75	12.00	14.00				42,000	3.70	26,200	2.56	8.2
	EN(A,D,W)4X42*21**	NOMV156E19*	TDR&TXV	40,500	0.75	12.00	14.50				42,000	3.64	25,600	2.54	8.2
	EN(A,D,W)4X42*21**	OLV112A16A	TDR&TXV	41,000	0.75	11.50	13.50				42,000	3.64	26,400	2.52	8.2
	EN(A,D,W)4X42*21**	OMV112K14A	TDR&TXV	40,500	0.75	12.00	14.00				42,000	3.62	26,000	2.52	8.2
	EN(A,D,W)4X42*21**	†	TXV	41,000	0.75	11.50			13.50		42,000	3.64	27,000	2.50	8.0
	EN(A,D,W)4X48*21**	*8MV*1102120**	TDR&TXV	41,500	0.75	12.50	15.00				42,000	3.80	25,800	2.62	8.5
	EN(A,D,W)4X48*21**	*8MX*0902116**	TDR&TXV	42,000	0.75	12.50	15.00				42,000	3.82	26,000	2.64	8.5
	EN(A,D,W)4X48*21**	*8MX*1102120**	TDR&TXV	42,000	0.75	12.50	15.00				42,000	3.86	26,000	2.66	8.5
	EN(A,D,W)4X48*21**	*9MPV100	TDR&TXV	42,000	0.75	12.50	14.50				42,000	3.84	26,400	2.62	8.5
	EN(A,D,W)4X48*21**	*9MVX080	TDR&TXV	42,000	0.75	12.50	14.50				42,000	3.84	26,400	2.62	8.5
	EN(A,D,W)4X48*21**	NOMV156E19*	TDR&TXV	41,500	0.75	12.50	15.00				42,000	3.76	25,800	2.60	8.5
	EN(A,D,W)4X48*21**	OLV112A16A	TDR&TXV	42,000	0.75	12.00	14.50				42,000	3.76	26,400	2.58	8.2
	EN(A,D,W)4X48*21**	OMV112K14A	TDR&TXV	41,500	0.75	12.00	14.50				42,000	3.76	26,200	2.58	8.2
	EN(A,D,W)4X48*21**	†	TXV	42,000	0.75	11.50			14.00		42,000	3.74	27,000	2.56	8.2
	END4X42*17**	*8MV*0901716**	TDR&TXV	41,000	0.75	12.00	14.50				42,000	3.72	25,800	2.58	8.3
	END4X42*17**	*8MX*0701716**	TDR&TXV	41,000	0.75	11.50	13.50				42,000	3.64	26,400	2.52	8.0
	END4X42*17**	*9MVX060	TDR&TXV	41,000	0.75	11.50	13.50				42,000	3.64	26,600	2.52	8.2
	END4X42*17**	OMV112K14A	TDR&TXV	41,000	0.75	12.00	14.00				42,000	3.66	26,200	2.54	8.2
	END4X42*17**	†	TXV	41,500	0.75	11.50			13.50		42,000	3.70	27,000	2.54	8.1
	ENH4X42*21**	*8MV*0701412**	TDR&TXV	40,500	0.75	11.80	14.00				42,000	3.60	26,000	2.50	8.0
	ENH4X42*21**	*8MV*0901716**	TDR&TXV	41,000	0.75	12.00	14.50				42,000	3.66	25,800	2.56	8.2
	ENH4X42*21**	*8MV*1102120**	TDR&TXV	41,000	0.75	12.00	14.50				42,000	3.66	25,800	2.56	8.2
	ENH4X42*21**	*8MV*1352422**	TDR&TXV	41,000	0.75	12.00	14.50				42,000	3.70	25,600	2.58	8.2
	ENH4X42*21**	*8MX*0701716**	TDR&TXV	40,500	0.75	11.50	13.50				42,000	3.60	26,400	2.50	8.0
ENH4X42*21**	*8MX*0902116**	TDR&TXV	41,000	0.75	12.00	14.50				42,000	3.68	25,800	2.56	8.2	
ENH4X42*21**	*8MX*1102120**	TDR&TXV	41,000	0.75	12.00	14.50				42,000	3.70	25,600	2.58	8.2	
ENH4X42*21**	*8MX*1352420**	TDR&TXV	41,000	0.75	12.00	14.50				42,000	3.68	25,800	2.56	8.2	
ENH4X42*21**	*9MPV100	TDR&TXV	41,000	0.75	12.00	14.00				42,000	3.68	26,200	2.56	8.2	
ENH4X42*21**	*9MVX060	TDR&TXV	40,500	0.75	11.50	13.50				42,000	3.60	26,400	2.50	8.0	
ENH4X42*21**	*9MVX080	TDR&TXV	41,000	0.75	12.00	14.00				42,000	3.70	26,200	2.56	8.2	
ENH4X42*21**	NOMV156E19*	TDR&TXV	40,500	0.75	12.00	14.50				42,000	3.64	25,600	2.54	8.2	
ENH4X42*21**	OLV112A16A	TDR&TXV	41,000	0.75	11.50	13.50				42,000	3.64	26,400	2.52	8.2	

2009 ENERGY STAR compliance for combinations with all three: SEER 14.50 or higher and EER 12.00 or higher and HSPF 8.2 or higher.

† For coils not listed with a matching furnace or blower, coil rating applies with any indoor blower device.

- continued on next page -

**COOLING & HEATING PERFORMANCE FOR COMBINATION RATINGS (continued) Indoor Models**

For complete ratings information, use the AHRI website directory search: [www.AHRIdirectory.org](http://www.AHRIdirectory.org). New ratings may be listed online before Specification Sheets are updated.

Outdoor Model	Current Indoor Model (‡ tested combo)	Furnace Model	Factory Installed	Cool 95° F (35° C)			SEER			Heat 47° F (8.3° C)		Heat 17° F (-8.3° C)		HSPF	
				BTU/hr	S / T	EER	factory	with field TDR	with field R-410A TXV	BTU/hr	COP	BTU/hr	COP		
CXH542GKA (continued)	ENH4X42*21**	OLV154F20A	TDR&TXV	42,000	0.75	12.00	14.50				42,000	3.76	26,600	2.60	8.2
	ENH4X42*21**	OMV112K14A	TDR&TXV	40,500	0.75	12.00	14.00				42,000	3.62	26,000	2.52	8.2
	ENH4X42*21**	†	TXV	41,000	0.75	11.50		13.50			42,000	3.64	27,000	2.50	8.0
	ENH4X43*21**	*9MPV100	TDR&TXV	42,000	0.75	12.50	15.00				42,000	3.92	26,600	2.66	8.5
	ENH4X43*21**	*9MPV125	TDR&TXV	42,000	0.75	12.50	15.00				42,000	3.92	26,400	2.66	8.5
	ENH4X43*21**	*9MVX080	TDR&TXV	42,000	0.75	12.50	15.00				42,000	3.92	26,600	2.66	8.5
	ENH4X43*21**	*9MVX100	TDR&TXV	42,000	0.75	12.50	15.00				42,000	3.90	26,200	2.66	8.5
	ENH4X43*21**	NOMV156E19*	TDR&TXV	42,000	0.75	12.50	15.00				42,000	3.86	26,000	2.64	8.5
	ENH4X43*21**	OLV112A16A	TDR&TXV	42,000	0.75	12.00	14.50				42,000	3.84	26,600	2.62	8.5
	ENH4X43*21**	OLV154F20A	TDR&TXV	42,000	0.75	12.50	15.00				42,000	4.00	26,800	2.70	8.5
	ENH4X43*21**	OMV112K14A	TDR&TXV	42,000	0.75	12.50	14.50				42,000	3.84	26,400	2.62	8.5
	ENH4X48*21**	*8MV*0701412**	TDR&TXV	41,500	0.75	12.00	14.50				42,000	3.72	26,000	2.58	8.3
	ENH4X48*21**	*8MV*0901716**	TDR&TXV	41,500	0.75	12.50	15.00				42,000	3.78	25,800	2.62	8.5
	ENH4X48*21**	*8MV*1102120**	TDR&TXV	41,500	0.75	12.50	15.00				42,000	3.80	25,800	2.62	8.5
	ENH4X48*21**	*8MV*1352422**	TDR&TXV	41,500	0.75	12.50	15.00				42,000	3.82	25,800	2.64	8.5
	ENH4X48*21**	*8MX*0701716**	TDR&TXV	41,500	0.75	12.00	14.00				42,000	3.74	26,600	2.56	8.1
	ENH4X48*21**	*8MX*0902116**	TDR&TXV	42,000	0.75	12.50	15.00				42,000	3.82	26,000	2.64	8.5
	ENH4X48*21**	*8MX*1102120**	TDR&TXV	42,000	0.75	12.50	15.00				42,000	3.86	26,000	2.66	8.5
	ENH4X48*21**	*8MX*1352420**	TDR&TXV	42,000	0.75	12.50	15.00				42,000	3.84	26,000	2.64	8.5
	ENH4X48*21**	*9MPV100	TDR&TXV	42,000	0.75	12.50	14.50				42,000	3.84	26,400	2.62	8.5
	ENH4X48*21**	*9MPV125	TDR&TXV	42,000	0.75	12.50	15.00				42,000	3.84	26,200	2.64	8.5
	ENH4X48*21**	*9MVX080	TDR&TXV	42,000	0.75	12.50	14.50				42,000	3.84	26,400	2.62	8.5
	ENH4X48*21**	*9MVX100	TDR&TXV	42,000	0.75	12.50	15.00				42,000	3.82	26,200	2.62	8.5
	ENH4X48*21**	NOMV156E19*	TDR&TXV	41,500	0.75	12.50	15.00				42,000	3.76	25,800	2.60	8.5
	ENH4X48*21**	OLV112A16A	TDR&TXV	42,000	0.75	12.00	14.50				42,000	3.76	26,400	2.58	8.2
	ENH4X48*21**	OLV154F20A	TDR&TXV	42,000	0.75	12.50	15.00				42,000	3.90	26,600	2.66	8.5
	ENH4X48*21**	OMV112K14A	TDR&TXV	41,500	0.75	12.00	14.50				42,000	3.76	26,200	2.58	8.2
	ENH4X48*21**	†	TXV	42,000	0.75	11.50			14.00		42,000	3.74	27,000	2.56	8.2
	FEM4P42**A*+TXV	—	TDR	42,000	0.75	12.00				14.50	42,000	3.80	26,400	2.62	8.5
	FEM4P42**A*	—	TDR	42,000	0.75	12.00	13.50				42,000	3.80	26,400	2.62	8.5
	FEM4P48**A*+TXV	—	TDR	42,000	0.75	12.50				15.00	42,000	3.82	26,400	2.62	8.5
	FEM4P48**A*	—	TDR	42,000	0.75	12.50	13.50				42,000	3.82	26,400	2.62	8.5
	FEM4X42****	—	TDR&TXV	42,000	0.75	12.00	14.50				42,000	3.78	26,600	2.60	8.3
	FEM4X48****	—	TDR&TXV	42,000	0.75	12.50	15.00				42,000	3.92	26,600	2.68	8.7
	FS(M,U)4P42**A*+TXV	—	TDR	42,000	0.75	12.00				14.50	42,000	3.76	26,600	2.58	8.2
	FS(M,U)4P42**A*	—	TDR	42,000	0.75	12.00	13.50				42,000	3.76	26,600	2.58	8.2
FS(M,U)4P48**A*+TXV	—	TDR	42,000	0.75	12.00				14.50	42,000	3.82	26,800	2.60	8.4	
FS(M,U)4P48**A*	—	TDR	42,000	0.75	12.00	13.50				42,000	3.82	26,800	2.62	8.4	
FS(M,U)4X42****	—	TDR&TXV	41,500	0.75	11.50	13.00				42,000	3.64	27,200	2.50	8.0	
FS(M,U)4X48****	—	TDR&TXV	42,000	0.75	11.50	14.00				42,000	3.74	27,200	2.54	8.3	
FVM4X36****	—	TDR&TXV	41,000	0.75	12.00	14.50				42,000	3.68	25,600	2.56	8.2	

2009 ENERGY STAR compliance for combinations with all three: SEER 14.50 or higher and EER 12.00 or higher and HSPF 8.2 or higher.

† For coils not listed with a matching furnace or blower, coil rating applies with any indoor blower device.

- continued on next page -

## COOLING & HEATING PERFORMANCE FOR COMBINATION RATINGS (continued) Indoor Models

For complete ratings information, use the AHRI website directory search: [www.AHRIdirectory.org](http://www.AHRIdirectory.org). New ratings may be listed online before Specification Sheets are updated.

Outdoor Model	Current Indoor Model (‡ tested combo)	Furnace Model	Factory Installed	Cool 95° F (35° C)			SEER			Heat 47° F (8.3° C)		Heat 17° F (-8.3° C)		HSPF	
				BTU/hr	S / T	EER	factory	with field TDR	with field R-410A TXV	BTU/hr	COP	BTU/hr	COP		
CXH542GKA (continued)	FVM4X48***	—	TDR&TXV	42,000	0.75	12.50	15.50				42,000	3.88	25,800	2.68	8.7
	FVM4X60***	—	TDR&TXV	42,000	0.75	13.00	16.00				42,000	4.02	25,800	2.74	8.7
	FXM4X48**A*	—	TDR&TXV	42,000	0.75	13.00	15.50				42,000	3.96	26,400	2.70	8.6
CXH548GKA	‡FXM4X48**A*	—	TDR&TXV	47,500	0.76	12.50	15.00				46,500	3.84	29,000	2.66	8.5
	ED*4X48F**	*8MV*0901716**	TDR&TXV	45,500	0.76	11.50	14.00				45,500	3.68	28,800	2.56	7.9
	ED*4X48F**	†	TXV	45,500	0.76	11.50		13.50			46,000	3.66	29,200	2.54	7.9
	ED*4X48J**	*8MPV100	TDR&TXV	45,500	0.76	11.90	14.00				45,500	3.70	29,000	2.58	8.2
	ED*4X48J**	*8MPV125	TDR&TXV	45,500	0.76	12.00	14.25				45,500	3.72	28,800	2.58	8.2
	ED*4X48J**	*8MV*1102120**	TDR&TXV	45,000	0.76	11.50	14.00				45,000	3.66	28,600	2.56	7.9
	ED*4X48J**	*8MX*0902116**	TDR&TXV	45,500	0.76	12.00	14.00				45,500	3.68	28,800	2.56	7.9
	ED*4X48J**	*8MX*1102120**	TDR&TXV	45,000	0.76	12.00	14.50				45,000	3.70	28,400	2.58	8.2
	ED*4X48J**	*9MPV100	TDR&TXV	45,500	0.76	11.50	13.50				46,000	3.66	29,200	2.54	8.0
	ED*4X48J**	*9MVX080	TDR&TXV	45,500	0.76	11.50	13.50				46,000	3.66	29,200	2.54	8.1
	ED*4X48J**	MV16J22**B*	TDR&TXV	45,500	0.76	12.50	14.50				45,000	3.76	28,400	2.62	8.2
	ED*4X48J**	NOMV156E19*	TDR&TXV	45,000	0.76	11.50	14.00				45,500	3.64	28,600	2.54	8.0
	ED*4X48J**	†	TXV	45,500	0.76	11.50		13.50			46,500	3.68	29,600	2.54	7.9
	ED*4X48L**	*8MV*1352422**	TDR&TXV	45,500	0.76	12.00	14.50				45,000	3.70	28,400	2.58	8.2
	ED*4X48L**	*8MX*1352420**	TDR&TXV	45,500	0.76	12.00	14.00				45,500	3.70	28,600	2.58	8.0
	ED*4X48L**	*9MPV125	TDR&TXV	45,500	0.76	11.50	14.00				45,500	3.70	29,000	2.56	8.2
	ED*4X48L**	*9MVX100	TDR&TXV	45,500	0.76	11.50	14.00				45,500	3.68	28,800	2.56	8.1
	ED*4X48L**	MV20L24**B*	TDR&TXV	45,500	0.76	12.50	15.00				45,000	3.78	28,200	2.64	8.2
	ED*4X48L**	OLV154F20A	TDR&TXV	46,000	0.76	11.50	14.00				46,500	3.74	29,600	2.58	8.2
	ED*4X48L**	†	TXV	45,500	0.76	11.50		13.50			46,500	3.68	29,600	2.54	7.9
	ED*4X60J**	*8MPV100	TDR&TXV	46,500	0.76	12.00	14.50				46,000	3.78	29,200	2.62	8.2
	ED*4X60J**	*8MPV125	TDR&TXV	46,500	0.76	12.00	14.50				45,500	3.80	29,000	2.62	8.2
	ED*4X60J**	*8MV*1102120**	TDR&TXV	46,000	0.76	12.00	14.50				45,500	3.72	28,600	2.60	8.2
	ED*4X60J**	*8MX*0902116**	TDR&TXV	46,500	0.76	12.00	14.50				45,500	3.74	28,800	2.60	8.2
	ED*4X60J**	*8MX*1102120**	TDR&TXV	46,500	0.76	12.50	14.50				45,000	3.78	28,600	2.64	8.2
	ED*4X60J**	*9MPV100	TDR&TXV	46,500	0.76	12.00	14.25				46,000	3.72	29,200	2.58	8.2
	ED*4X60J**	*9MVX080	TDR&TXV	46,500	0.76	12.00	14.25				46,000	3.72	29,400	2.58	8.2
	ED*4X60J**	MV16J22**B*	TDR&TXV	46,500	0.76	12.50	15.00				45,000	3.84	28,400	2.68	8.5
	ED*4X60J**	NOMV156E19*	TDR&TXV	46,000	0.76	12.00	14.00				45,500	3.70	28,800	2.58	8.0
	ED*4X60J**	†	TXV	46,500	0.76	11.50	14.00		13.50		46,500	3.74	29,800	2.56	8.1
	ED*4X60L**	*8MV*1352422**	TDR&TXV	46,000	0.76	12.00	14.50				45,000	3.76	28,600	2.62	8.2
	ED*4X60L**	*8MX*1352420**	TDR&TXV	46,500	0.76	12.00	14.50				45,500	3.76	28,800	2.62	8.2
	ED*4X60L**	*9MPV125	TDR&TXV	46,500	0.76	12.00	14.50				46,000	3.74	29,200	2.60	8.2
ED*4X60L**	*9MVX100	TDR&TXV	46,500	0.76	12.00	14.50				45,500	3.74	29,000	2.60	8.2	
ED*4X60L**	MV20L24**B*	TDR&TXV	46,500	0.76	12.50	15.00				45,000	3.84	28,400	2.68	8.5	
ED*4X60L**	OLV154F20A	TDR&TXV	47,000	0.76	12.00	14.00				46,500	3.84	29,600	2.62	8.2	
ED*4X60L**	†	TXV	46,500	0.76	11.50		13.50			46,500	3.74	29,800	2.56	8.1	
EHD4X48A**	*8MPV100	TDR&TXV	45,500	0.76	11.50	14.00				45,500	3.74	29,000	2.58	8.2	
EHD4X48A**	*8MPV125	TDR&TXV	45,500	0.76	12.00	14.00				45,500	3.76	29,000	2.60	8.2	

2009 ENERGY STAR compliance for combinations with all three: SEER 14.50 or higher and EER 12.00 or higher and HSPF 8.2 or higher.

† For coils not listed with a matching furnace or blower, coil rating applies with any indoor blower device.

- continued on next page -

**COOLING & HEATING PERFORMANCE FOR COMBINATION RATINGS (continued) Indoor Models**

For complete ratings information, use the AHRI website directory search: [www.AHRI.org](http://www.AHRI.org). New ratings may be listed online before Specification Sheets are updated.

Outdoor Model	Current Indoor Model (‡ tested combo)	Furnace Model	Factory Installed	Cool 95° F (35° C)			SEER			Heat 47° F (8.3° C)		Heat 17° F (-8.3° C)		HSPF	
				BTU/hr	S / T	EER	factory	with field TDR	with field R-410A TXV	BTU/hr	COP	BTU/hr	COP		
CXH548GKA (continued)	EHD4X48A**	*8MV*0901716**	TDR&TXV	45,500	0.76	12.00	14.00				45,500	3.68	28,800	2.56	7.9
	EHD4X48A**	*8MV*1102120**	TDR&TXV	45,500	0.76	12.00	14.00				45,500	3.70	28,800	2.58	7.9
	EHD4X48A**	*8MV*1352422**	TDR&TXV	46,000	0.76	12.00	14.50				45,000	3.72	28,600	2.60	8.2
	EHD4X48A**	*8MX*0902116**	TDR&TXV	46,000	0.76	12.00	14.00				45,500	3.72	28,800	2.58	8.0
	EHD4X48A**	*8MX*1102120**	TDR&TXV	46,000	0.76	12.00	14.50				45,000	3.74	28,400	2.60	8.2
	EHD4X48A**	*8MX*1352420**	TDR&TXV	45,500	0.76	12.00	14.00				45,500	3.72	28,600	2.58	8.0
	EHD4X48A**	*9MPV100	TDR&TXV	45,500	0.76	11.50	13.50				46,000	3.68	29,200	2.56	8.0
	EHD4X48A**	*9MPV125	TDR&TXV	45,500	0.76	11.50	14.00				45,500	3.72	29,000	2.58	8.2
	EHD4X48A**	*9MVX080	TDR&TXV	45,500	0.76	11.50	13.50				46,000	3.70	29,200	2.56	8.1
	EHD4X48A**	*9MVX100	TDR&TXV	45,500	0.76	11.50	14.00				45,500	3.70	29,000	2.56	8.1
	EHD4X48A**	MV16J22**B*	TDR&TXV	45,500	0.76	12.50	14.50				45,000	3.82	28,400	2.64	8.2
	EHD4X48A**	MV20L24**B*	TDR&TXV	45,500	0.76	12.50	14.50				45,000	3.82	28,400	2.64	8.2
	EHD4X48A**	NOMV156E19*	TDR&TXV	45,500	0.76	12.00	14.00				45,500	3.68	28,800	2.56	8.0
	EHD4X48A**	OLV154F20A	TDR&TXV	46,500	0.76	11.50	14.00				46,500	3.78	29,800	2.58	8.2
	EHD4X48A**	OLV154F20A	TDR&TXV	46,500	0.76	11.50	14.00				46,500	3.78	29,800	2.58	8.2
	EHD4X48A**	†	TXV	45,500	0.76	11.50			13.50		46,500	3.72	29,800	2.56	7.9
	EHD4X60A**	*8MPV100	TDR&TXV	46,500	0.76	12.00	14.50				46,000	3.84	29,200	2.64	8.2
	EHD4X60A**	*8MPV125	TDR&TXV	46,500	0.76	12.50	15.00				45,500	3.84	29,000	2.64	8.5
	EHD4X60A**	*8MV*0901716**	TDR&TXV	46,500	0.76	12.00	14.50				45,500	3.74	28,800	2.60	8.2
	EHD4X60A**	*8MV*1102120**	TDR&TXV	46,500	0.76	12.00	14.50				45,500	3.76	28,600	2.62	8.2
	EHD4X60A**	*8MV*1352422**	TDR&TXV	46,500	0.76	12.50	14.50				45,000	3.80	28,600	2.64	8.2
	EHD4X60A**	*8MX*0902116**	TDR&TXV	46,500	0.76	12.00	14.50				45,500	3.80	29,000	2.62	8.2
	EHD4X60A**	*8MX*1102120**	TDR&TXV	46,500	0.76	12.50	15.00				45,500	3.82	28,600	2.66	8.2
	EHD4X60A**	*8MX*1352420**	TDR&TXV	46,500	0.76	12.00	14.50				45,500	3.82	28,800	2.64	8.2
	EHD4X60A**	*9MPV100	TDR&TXV	46,500	0.76	12.00	14.25				46,000	3.78	29,400	2.60	8.2
	EHD4X60A**	*9MPV125	TDR&TXV	46,500	0.76	12.00	14.50				46,000	3.80	29,200	2.62	8.2
	EHD4X60A**	*9MVX080	TDR&TXV	46,500	0.76	12.00	14.25				46,000	3.78	29,400	2.60	8.2
	EHD4X60A**	*9MVX100	TDR&TXV	46,500	0.76	12.00	14.50				45,500	3.78	29,000	2.60	8.2
	EHD4X60A**	MV16J22**B*	TDR&TXV	46,500	0.76	12.50	15.00				45,000	3.88	28,400	2.68	8.5
	EHD4X60A**	MV20L24**B*	TDR&TXV	46,500	0.76	12.50	15.00				45,000	3.88	28,400	2.68	8.5
	EHD4X60A**	NOMV156E19*	TDR&TXV	46,500	0.76	12.00	14.50				45,500	3.74	28,800	2.60	8.2
	EHD4X60A**	OLV112A16A	TDR&TXV	46,500	0.76	11.50	14.00				46,000	3.70	29,400	2.56	8.0
EHD4X60A**	OLV112A16A	TDR&TXV	46,500	0.76	11.50	14.00				46,000	3.70	29,400	2.56	8.0	
EHD4X60A**	OLV154F20A	TDR&TXV	47,500	0.76	12.00	14.50				46,500	3.86	29,600	2.64	8.2	
EHD4X60A**	OLV154F20A	TDR&TXV	47,500	0.76	12.00	14.50				46,500	3.86	29,600	2.64	8.2	
EHD4X60A**	†	TXV	46,500	0.76	11.50			13.50		46,500	3.76	29,800	2.58	8.1	
EMA4X48D**	†	TXV	44,500	0.76	11.50			13.50		45,500	3.56	29,000	2.50	7.7	
EN(A,D)4X48*24**	*8MV*1352422**	TDR&TXV	45,500	0.76	12.00	14.50				45,000	3.70	28,400	2.60	8.2	
EN(A,D)4X48*24**	*8MX*1352420**	TDR&TXV	45,500	0.76	12.00	14.00				45,000	3.72	28,600	2.58	8.0	
EN(A,D)4X48*24**	*9MPV100	TDR&TXV	45,500	0.76	11.50	14.00				46,000	3.68	29,200	2.56	8.0	
EN(A,D)4X48*24**	*9MPV125	TDR&TXV	45,500	0.76	12.00	14.00				45,500	3.70	29,000	2.56	8.0	

2009 ENERGY STAR compliance for combinations with all three: SEER 14.50 or higher and EER 12.00 or higher and HSPF 8.2 or higher.

† For coils not listed with a matching furnace or blower, coil rating applies with any indoor blower device.

- continued on next page -

## COOLING & HEATING PERFORMANCE FOR COMBINATION RATINGS (continued) Indoor Models

For complete ratings information, use the AHRI website directory search: [www.AHRIdirectory.org](http://www.AHRIdirectory.org). New ratings may be listed online before Specification Sheets are updated.

Outdoor Model	Current Indoor Model (‡ tested combo)	Furnace Model	Factory Installed	Cool 95° F (35° C)			SEER			Heat 47° F (8.3° C)		Heat 17° F (-8.3° C)		HSPF	
				BTU/hr	S / T	EER	factory	with field TDR	with field R-410A TXV	BTU/hr	COP	BTU/hr	COP		
CXH548GKA (continued)	EN(A,D)4X48*24**	*9MVX080	TDR&TXV	45,500	0.76	11.50	14.00				46,000	3.68	29,200	2.56	8.0
	EN(A,D)4X48*24**	*9MVX100	TDR&TXV	45,500	0.76	12.00	14.00				45,500	3.68	28,800	2.56	8.0
	EN(A,D)4X48*24**	OLV154F20A	TDR&TXV	46,000	0.76	11.50	14.00				46,500	3.76	29,600	2.58	8.2
	EN(A,D)4X48*24**	†	TXV	45,500	0.76	11.50			13.50		46,500	3.68	29,600	2.54	7.9
	EN(A,D)4X61*24**	*8MV*1102120**	TDR&TXV	46,500	0.76	12.20	14.50				45,500	3.82	28,800	2.64	8.2
	EN(A,D)4X61*24**	*8MV*1352422**	TDR&TXV	47,000	0.76	12.50	15.00				45,500	3.84	28,600	2.66	8.3
	EN(A,D)4X61*24**	*8MX*1352420**	TDR&TXV	47,000	0.76	12.50	15.00				45,500	3.86	28,800	2.66	8.5
	EN(A,D)4X61*24**	*9MPV100	TDR&TXV	47,000	0.76	12.00	14.50				46,500	3.82	29,400	2.62	8.2
	EN(A,D)4X61*24**	*9MPV125	TDR&TXV	47,000	0.76	12.00	14.50				46,000	3.84	29,200	2.64	8.2
	EN(A,D)4X61*24**	*9MVX080	TDR&TXV	47,000	0.76	12.00	14.50				46,500	3.82	29,400	2.62	8.2
	EN(A,D)4X61*24**	*9MVX100	TDR&TXV	47,000	0.76	12.00	14.50				46,000	3.82	29,200	2.62	8.2
	EN(A,D)4X61*24**	OLV112A16A	TDR&TXV	46,500	0.76	11.50	14.00				46,500	3.74	29,400	2.58	8.2
	EN(A,D)4X61*24**	OLV154F20A	TDR&TXV	48,000	0.76	12.00	14.50				47,000	3.92	29,800	2.64	8.5
	EN(A,D)4X61*24**	†	TXV	47,000	0.76	11.50			14.00		47,000	3.80	30,000	2.60	8.2
	EN(A,D,W)4X48*21**	*8MV*1102120**	TDR&TXV	45,500	0.76	12.00	14.00				45,000	3.68	28,600	2.58	7.9
	EN(A,D,W)4X48*21**	*8MX*0902116**	TDR&TXV	45,500	0.76	12.00	14.00				45,500	3.70	28,800	2.58	7.9
	EN(A,D,W)4X48*21**	*8MX*1102120**	TDR&TXV	45,500	0.76	12.00	14.50				45,000	3.74	28,400	2.60	8.2
	EN(A,D,W)4X48*21**	*9MPV100	TDR&TXV	45,500	0.76	11.50	14.00				46,000	3.68	29,200	2.56	8.0
	EN(A,D,W)4X48*21**	*9MVX080	TDR&TXV	45,500	0.76	11.50	14.00				46,000	3.68	29,200	2.56	8.0
	EN(A,D,W)4X48*21**	NOMV156E19*	TDR&TXV	45,000	0.76	12.00	14.00				45,000	3.66	28,600	2.56	8.0
	EN(A,D,W)4X48*21**	†	TXV	45,500	0.76	11.50			13.50		46,500	3.68	29,600	2.54	7.9
	EN(A,D,W)4X60*24**	*8MV*1352422**	TDR&TXV	46,000	0.76	12.50	14.50				45,000	3.76	28,400	2.62	8.2
	EN(A,D,W)4X60*24**	*8MX*1352420**	TDR&TXV	46,500	0.76	12.00	14.50				45,500	3.76	28,800	2.62	8.2
	EN(A,D,W)4X60*24**	*9MPV100	TDR&TXV	46,500	0.76	12.00	14.00				46,000	3.74	29,200	2.58	8.2
	EN(A,D,W)4X60*24**	*9MPV125	TDR&TXV	46,500	0.76	12.00	14.00				46,000	3.74	29,000	2.60	8.2
	EN(A,D,W)4X60*24**	*9MVX080	TDR&TXV	46,500	0.76	12.00	14.00				46,000	3.74	29,200	2.58	8.2
	EN(A,D,W)4X60*24**	*9MVX100	TDR&TXV	46,500	0.76	12.00	14.00				45,500	3.72	29,000	2.60	8.2
	EN(A,D,W)4X60*24**	OLV154F20A	TDR&TXV	47,000	0.76	12.00	14.00				46,500	3.80	29,600	2.62	8.2
	EN(A,D,W)4X60*24**	†	TXV	46,500	0.76	11.50			13.50		46,500	3.70	29,800	2.56	8.0
	ENH4X48*21**	*8MV*0901716**	TDR&TXV	45,000	0.76	12.00	14.00				45,000	3.66	28,600	2.56	7.9
ENH4X48*21**	*8MV*1102120**	TDR&TXV	45,500	0.76	12.00	14.00				45,000	3.68	28,600	2.58	7.9	
ENH4X48*21**	*8MV*1352422**	TDR&TXV	45,500	0.76	12.00	14.50				45,000	3.70	28,400	2.60	8.2	
ENH4X48*21**	*8MX*0902116**	TDR&TXV	45,500	0.76	12.00	14.00				45,500	3.70	28,800	2.58	7.9	
ENH4X48*21**	*8MX*1102120**	TDR&TXV	45,500	0.76	12.00	14.50				45,000	3.74	28,400	2.60	8.2	
ENH4X48*21**	*8MX*1352420**	TDR&TXV	45,500	0.76	12.00	14.00				45,000	3.72	28,600	2.58	8.0	
ENH4X48*21**	*9MPV100	TDR&TXV	45,500	0.76	11.50	14.00				46,000	3.68	29,200	2.56	8.0	
ENH4X48*21**	*9MVX080	TDR&TXV	45,500	0.76	11.50	14.00				46,000	3.68	29,200	2.56	8.0	
ENH4X48*21**	NOMV156E19*	TDR&TXV	45,000	0.76	12.00	14.00				45,000	3.66	28,600	2.56	8.0	
ENH4X48*21**	OLV154F20A	TDR&TXV	46,000	0.76	11.50	14.00				46,500	3.76	29,600	2.58	8.2	
ENH4X48*21**	†	TXV	45,500	0.76	11.50			13.50		46,500	3.68	29,600	2.54	7.9	
ENH4X60*24**	*8MV*0901716**	TDR&TXV	46,000	0.76	12.00	14.50				45,000	3.70	28,600	2.60	8.2	
ENH4X60*24**	*8MV*1102120**	TDR&TXV	46,000	0.76	12.00	14.50				45,000	3.72	28,600	2.60	8.2	

2009 ENERGY STAR compliance for combinations with all three: SEER 14.50 or higher and EER 12.00 or higher and HSPF 8.2 or higher.

† For coils not listed with a matching furnace or blower, coil rating applies with any indoor blower device.

- continued on next page -

**COOLING & HEATING PERFORMANCE FOR COMBINATION RATINGS (continued) Indoor Models**

For complete ratings information, use the AHRI website directory search: [www.AHRIdirectory.org](http://www.AHRIdirectory.org). New ratings may be listed online before Specification Sheets are updated.

Outdoor Model	Current Indoor Model (‡ tested combo)	Furnace Model	Factory Installed	Cool 95° F (35° C)			SEER			Heat 47° F (8.3° C)		Heat 17° F (-8.3° C)		HSPF		
				BTU/hr	S / T	EER	factory	with field TDR	with field R-410A TXV	BTU/hr	COP	BTU/hr	COP			
CXH548GKA (continued)	ENH4X60*24**	*8MV*1352422**	TDR&TXV	46,000	0.76	12.50	14.50				45,000	3.76	28,400	2.62	8.2	
	ENH4X60*24**	*8MX*0902116**	TDR&TXV	46,500	0.76	12.00	14.50				45,500	3.76	28,800	2.62	8.2	
	ENH4X60*24**	*8MX*1102120**	TDR&TXV	46,500	0.76	12.50	15.00				45,000	3.78	28,600	2.64	8.2	
	ENH4X60*24**	*8MX*1352420**	TDR&TXV	46,500	0.76	12.00	14.50				45,500	3.76	28,800	2.62	8.2	
	ENH4X60*24**	*9MPV100	TDR&TXV	46,500	0.76	12.00	14.00				46,000	3.74	29,200	2.58	8.2	
	ENH4X60*24**	*9MPV125	TDR&TXV	46,500	0.76	12.00	14.00				46,000	3.74	29,000	2.60	8.2	
	ENH4X60*24**	*9MVX080	TDR&TXV	46,500	0.76	12.00	14.00				46,000	3.74	29,200	2.58	8.2	
	ENH4X60*24**	*9MVX100	TDR&TXV	46,500	0.76	12.00	14.00				45,500	3.72	29,000	2.60	8.2	
	ENH4X60*24**	NOMV156E19*	TDR&TXV	46,000	0.76	12.00	14.50				45,500	3.70	28,800	2.60	8.2	
	ENH4X60*24**	OLV112A16A	TDR&TXV	46,000	0.76	11.50	13.50				46,000	3.66	29,400	2.54	8.0	
	ENH4X60*24**	OLV154F20A	TDR&TXV	47,000	0.76	12.00	14.00				46,500	3.80	29,600	2.62	8.2	
	ENH4X60*24**	†	TXV	46,500	0.76	11.50			13.50		46,500	3.70	29,800	2.56	8.1	
	ENH4X61*24**	*8MV*0901716**	TDR&TXV	46,000	0.76	12.00	14.50				45,500	3.74	28,800	2.60	8.2	
	ENH4X61*24**	*8MV*1102120**	TDR&TXV	46,500	0.76	12.00	14.50				45,500	3.76	28,800	2.62	8.2	
	ENH4X61*24**	*8MV*1352422**	TDR&TXV	46,500	0.76	12.50	14.50				45,500	3.80	28,600	2.64	8.2	
	ENH4X61*24**	*8MX*0902116**	TDR&TXV	46,500	0.76	12.00	14.50				46,000	3.80	29,000	2.62	8.2	
	ENH4X61*24**	*8MX*1102120**	TDR&TXV	46,500	0.76	12.50	14.50				45,500	3.82	28,600	2.64	8.2	
	ENH4X61*24**	*8MX*1352420**	TDR&TXV	46,500	0.76	12.00	14.50				45,500	3.82	28,800	2.62	8.2	
	ENH4X61*24**	*9MPV100	TDR&TXV	46,500	0.76	12.00	14.00				46,500	3.80	29,400	2.60	8.2	
	ENH4X61*24**	*9MPV125	TDR&TXV	46,500	0.76	12.00	14.50				46,000	3.82	29,200	2.60	8.2	
	ENH4X61*24**	*9MVX080	TDR&TXV	46,500	0.76	12.00	14.00				46,500	3.80	29,400	2.60	8.2	
	ENH4X61*24**	*9MVX100	TDR&TXV	46,500	0.76	12.00	14.00				46,000	3.78	29,000	2.60	8.2	
	ENH4X61*24**	NOMV156E19*	TDR&TXV	46,000	0.76	12.00	14.50				45,500	3.74	28,800	2.60	8.2	
	ENH4X61*24**	OLV154F20A	TDR&TXV	47,500	0.76	12.00	14.00				47,000	3.90	29,800	2.62	8.5	
	ENH4X61*24**	†	TXV	47,000	0.76	11.50			14.00		47,000	3.82	29,800	2.58	8.2	
	FEM4P48**A*	—	—	TDR	46,000	0.76	11.50				14.00	46,000	3.68	29,200	2.56	8.2
	FEM4P48**A*	—	—	TDR	46,000	0.76	11.50	13.00				45,500	3.68	29,000	2.56	8.2
	FEM4P60**A*	—	—	TDR	47,000	0.76	12.00				14.50	46,000	3.80	29,200	2.62	8.4
	FEM4P60**A*	—	—	TDR	47,000	0.76	12.00	13.50				46,000	3.80	29,200	2.62	8.4
	FEM4X48****	—	—	TDR&TXV	47,000	0.76	12.00	14.50				46,000	3.78	29,200	2.62	8.2
	FEM4X60****	—	—	TDR&TXV	47,500	0.76	12.50	15.00				46,500	3.92	29,200	2.66	8.5
	FS(M,U)4P48**A*	—	—	TDR	46,000	0.76	12.00				14.00	46,000	3.76	29,400	2.60	8.0
FS(M,U)4P48**A*	—	—	TDR	47,000	0.76	11.50	13.00				46,000	3.76	29,400	2.60	8.0	
FS(M,U)4X48****	—	—	TDR&TXV	46,000	0.76	11.20	13.50				46,500	3.64	30,000	2.52	8.0	
FS(M,U)4X60****	—	—	TDR&TXV	47,000	0.76	11.50	13.50				47,000	3.74	30,000	2.54	8.2	
FS(M,U)4X60**A*	—	—	TDR&TXV	47,000	0.76	11.50	13.50				47,000	3.74	30,000	2.54	8.2	
FVM4X48****	—	—	TDR&TXV	46,500	0.76	12.50	15.00				45,000	3.76	28,400	2.64	8.2	
FVM4X60****	—	—	TDR&TXV	47,000	0.76	12.70	15.50				45,000	3.90	28,400	2.70	8.5	
FXM4X60**A*	—	—	TDR&TXV	48,000	0.76	12.50	15.00				46,000	3.96	29,000	2.70	8.5	
CXH560GKA	‡FXM4X60**A*	—	TDR&TXV	57,000	0.77	12.50	15.00				57,000	3.86	35,400	2.72	8.7	
	ED*4X60J**	*8MPV125	TDR&TXV	56,000	0.77	11.50	14.00				57,500	3.70	36,000	2.62	8.3	

2009 ENERGY STAR compliance for combinations with all three: SEER 14.50 or higher and EER 12.00 or higher and HSPF 8.2 or higher.

† For coils not listed with a matching furnace or blower, coil rating applies with any indoor blower device.

- continued on next page -

## COOLING & HEATING PERFORMANCE FOR COMBINATION RATINGS (continued) Indoor Models

For complete ratings information, use the AHRI website directory search: [www.AHRIdirectory.org](http://www.AHRIdirectory.org). New ratings may be listed online before Specification Sheets are updated.

Outdoor Model	Current Indoor Model (‡ tested combo)	Furnace Model	Factory Installed	Cool 95° F (35° C)			SEER			Heat 47° F (8.3° C)		Heat 17° F (-8.3° C)		HSPF	
				BTU/hr	S / T	EER	factory	with field TDR	with field R-410A TXV	BTU/hr	COP	BTU/hr	COP		
CXH560GKA (continued)	ED*4X60J**	*8MV*1102120**	TDR&TXV	55,500	0.77	11.50	13.50				56,500	3.66	35,800	2.60	8.1
	ED*4X60J**	*8MX*1102120**	TDR&TXV	55,500	0.77	12.00	14.00				56,500	3.72	35,600	2.64	8.2
	ED*4X60J**	MV16J22**B*	TDR&TXV	56,000	0.77	12.00	14.50				57,000	3.80	35,400	2.68	8.5
	ED*4X60J**	†	TXV	55,000	0.77	11.50			13.50		57,500	3.68	36,000	2.60	8.1
	ED*4X60L**	*8MV*1352422**	TDR&TXV	55,500	0.77	12.00	14.00				56,500	3.72	35,600	2.64	8.4
	ED*4X60L**	*8MX*1352420**	TDR&TXV	55,500	0.77	12.00	14.00				56,500	3.68	35,600	2.62	8.2
	ED*4X60L**	MV20L24**B*	TDR&TXV	56,000	0.77	12.00	14.50				57,000	3.80	35,400	2.68	8.5
	ED*4X60L**	†	TXV	55,500	0.77	11.50			13.50		57,500	3.68	36,000	2.60	8.2
	EHD4X60A**	*8MPV125	TDR&TXV	56,000	0.77	11.50	14.00				57,500	3.76	36,200	2.64	8.3
	EHD4X60A**	*8MV*1102120**	TDR&TXV	56,000	0.77	11.50	14.00				56,500	3.72	35,800	2.64	8.1
	EHD4X60A**	*8MV*1352422**	TDR&TXV	56,000	0.77	12.00	14.50				56,500	3.76	35,600	2.66	8.4
	EHD4X60A**	*8MX*1102120**	TDR&TXV	56,000	0.77	12.00	14.50				56,500	3.78	35,600	2.66	8.2
	EHD4X60A**	*8MX*1352420**	TDR&TXV	56,000	0.77	12.00	14.00				56,500	3.74	35,600	2.64	8.2
	EHD4X60A**	MV16J22**B*	TDR&TXV	56,000	0.77	12.00	14.50				57,000	3.86	35,400	2.72	8.5
	EHD4X60A**	MV20L24**B*	TDR&TXV	56,000	0.77	12.50	15.00				57,000	3.86	35,400	2.72	8.5
	EHD4X60A**	†	TXV	55,500	0.77	11.50			13.50		57,500	3.72	36,200	2.62	8.2
	EN(A,D)4X61*24**	*8MV*1352422**	TDR&TXV	56,500	0.77	12.00	14.50				56,500	3.82	35,600	2.68	8.5
	EN(A,D)4X61*24**	*8MX*1352420**	TDR&TXV	56,500	0.77	12.00	14.50				56,500	3.78	35,600	2.66	8.5
	EN(A,D)4X61*24**	†	TXV	56,500	0.77	11.50			14.00		56,500	3.76	36,200	2.64	8.4
	EN(A,D,W)4X60*24**	*8MV*1352422**	TDR&TXV	55,500	0.77	12.00	14.00				56,500	3.72	35,400	2.64	8.4
	EN(A,D,W)4X60*24**	*8MX*1352420**	TDR&TXV	55,500	0.77	12.00	14.00				56,500	3.68	35,400	2.62	8.2
	EN(A,D,W)4X60*24**	†	TXV	55,500	0.77	11.50			13.50		56,500	3.66	36,000	2.60	8.2
	ENH4X60*24**	*8MV*1102120**	TDR&TXV	55,500	0.77	11.50	14.00				56,500	3.68	35,800	2.62	8.1
	ENH4X60*24**	*8MV*1352422**	TDR&TXV	55,500	0.77	12.00	14.00				56,500	3.72	35,400	2.64	8.4
	ENH4X60*24**	*8MX*1102120**	TDR&TXV	55,500	0.77	12.00	14.00				56,500	3.72	35,400	2.64	8.2
	ENH4X60*24**	*8MX*1352420**	TDR&TXV	55,500	0.77	12.00	14.00				56,500	3.68	35,400	2.62	8.2
	ENH4X60*24**	†	TXV	55,500	0.77	11.50			13.50		56,500	3.66	36,000	2.60	8.2
	ENH4X61*24**	*8MV*1102120**	TDR&TXV	56,000	0.77	11.50	14.00				56,500	3.72	36,000	2.62	8.2
	ENH4X61*24**	*8MV*1352422**	TDR&TXV	56,000	0.77	12.00	14.00				56,500	3.76	35,600	2.66	8.5
	ENH4X61*24**	*8MX*1102120**	TDR&TXV	56,000	0.77	12.00	14.00				56,500	3.76	35,600	2.66	8.2
ENH4X61*24**	*8MX*1352420**	TDR&TXV	55,500	0.77	12.00	14.00				56,500	3.72	35,600	2.64	8.2	
ENH4X61*24**	†	TXV	56,000	0.77	11.50	14.00		13.50		56,500	3.72	36,200	2.62	8.4	
FEM4P60**A*	—	—	TDR&TXV	55,500	0.77	11.50				14.00	57,000	3.68	35,600	2.60	8.2
FEM4P60**A*	—	—	TDR&TXV	56,000	0.77	11.50	13.00				57,000	3.66	35,600	2.60	8.2
FEM4X60****	—	—	TDR&TXV	56,500	0.77	12.00	14.50				57,000	3.82	35,600	2.68	8.5
FS(M,U)4X60****	—	—	TDR&TXV	56,000	0.77	11.50	13.50				58,000	3.68	36,400	2.58	8.2
FS(M,U)4X60**A*	—	—	TDR&TXV	56,000	0.77	11.50	13.50				58,000	3.68	36,400	2.58	8.2
FVM4X60****	—	—	TDR&TXV	56,500	0.77	12.00	14.50				57,000	3.86	35,400	2.72	8.5

2009 ENERGY STAR compliance for combinations with all three: SEER 14.50 or higher and EER 12.00 or higher and HSPF 8.2 or higher.

† For coils not listed with a matching furnace or blower, coil rating applies with any indoor blower device.

ACCESSORY USAGE GUIDELINES			
Accessory	REQUIRED FOR APPLICATIONS IN SNOW-BELT REGION	REQUIRED FOR LOW-AMBIENT APPLICATIONS {Below 55°F (13°C)}	REQUIRED FOR LONG-LINE APPLICATIONS* {Over 80 Ft. (24.4m)}
Evaporator Freeze Thermostat	No	<b>Yes</b>	No
Accumulator	Standard (factory installed)	Standard (factory installed)	Standard (factory installed)
Low Ambient Kit (Pressure Switch)	No	<b>Yes</b>	No
Hard Start Kit (Capacitor & Relay)	No	<b>Yes</b>	<b>Yes</b>
Support Feet, 4" (102mm) tall	<b>Yes</b>	Recommended	No
Liquid Line Solenoid Valve	No	No	See Long-Line Application Guideline

\* For Line Set lengths between 80 and 200 ft (24.4 and 61m) horizontal. or more than 20 ft (6.1m) indoor-outdoor vertical separation, refer to the Long Line Application Guideline document.

ACCESSORIES		
Part Number	Description	Used On Model Size
NASA00601CH	Crankcase Heater for Scroll Compressor (208/230 V)	18, 24, 30
NASA00501CH	Crankcase Heater for Scroll Compressor (208/230 V)	36, 37 42
(Factory Installed)	Crankcase Heater for Scroll Compressor (208/230 V)	48, 60 (Factory Installed)
NASA001SC	Start Component – PTC Device	ALL
NASA001FS	Evaporator Freeze Thermostat	ALL
NASA001LS	Liquid Line Solenoid Valve, HP, R-22 or R-410A	ALL
NASA001TD	Time Delay Relay, Indoor Blower	ALL
NASA001AC	Anti-Cycle Timer (5 minute delay)	ALL
NASA005SC	Hard Start Kit (Capacitor & Relay)	ALL
NASA401LA	Low Ambient Kit (Pressure Switch), R-410A	ALL
NASA001SF	Support Feet, 4" (102mm) tall	ALL
NASA00106SS	Snow Stand Kit	ALL
AXWR01DFC	Fossil Fuel Kit	ALL
NAEA40501TX	TXV Kit, R-410A – 2010 and later Piston Coils	18, 24, 30
NAEA40601TX	TXV Kit, R-410A – 2010 and later Piston Coils	36, 37, 42
NAEA40701TX	TXV Kit, R-410A – 2010 and later Piston Coils	48, 60
EBAC05TXVX	TXV Kit, R-410A – 2005–2009 R-22 TXV Fancoils (air handlers)	18, 24, 30
EBAC06TXVX	TXV Kit, R-410A – 2005–2009 R-22 TXV Fancoils (air handlers)	36, 37, 42
EBAC07TXVX	TXV Kit, R-410A – 2005–2009 R-22 TXV Fancoils (air handlers)	48, 60