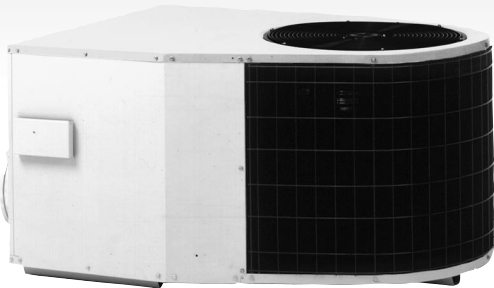


PA55 10 SEER



2 THRU 5 TON SINGLE PACKAGE AIR CONDITIONER

FEATURES

CONSTRUCTED FOR DURABILITY

- All panels made from galvanized steel pre-coated inside and out – using a polyester top coat, on a urethane primer, over an oxide pre-treatment
- All coils made from copper tube and aluminum fins
- Painted base with embossed support rails
- Embossed water dam in base – prevents water migration to indoor section from condenser area
- Protective coil guard – standard

HIGH STATIC CAPABILITY

- Designed for mobile home and permanent residence applications

EASY MAINTENANCE

- Slide out blower assembly for easy maintenance
- External gauge ports
- All electrical controls behind one access panel
- One panel allows access to clean evaporator and service all refrigeration components

QUALITY PERFORMANCE & RELIABILITY

- Pre-painted condenser coil – provides greater corrosion resistance
- Plastic drain pan – minimizes residual condensate for improved humidity control and air quality

DESIGNED FOR EASY INSTALLATION

- Round duct flanges with retainer bead for easy flex duct connection
- Low 26-1/2" height (max. 17" duct height) allows installation in tight spaces
- Multi-speed blower motor – adjustable to varying application requirements

DEPENDABLE WARRANTY

- 5 years on all parts / 5 year compressor

ACCESSORIES

- Slip in electric heaters available with or without breakers
- Flexible duct & duct adder kits to adapt to most applications
- Unit disconnect switch – may eliminate need for field mounted disconnect (*consult local codes)



RESIDENTIAL AND COMMERCIAL SYSTEMS • SPLIT SYSTEMS • PACKAGED AIR CONDITIONERS
• COMBINATION GAS / ELECTRIC UNITS • HEAT PUMPS • AIR HANDLERS • MANUFACTURED
HOME AIR CONDITIONERS • GAS, OIL AND ELECTRIC FURNACES

International Comfort Products
650 Heil-Quaker Avenue, Lewisburg, TN 37091

UNIT SPECIFICATIONS

MODEL COOLING TONNAGE		PA5524AKA	PA5530AKA	PA5536AKA	PA5542AKA	PA5548AKA	PA5560AKA
Electrical	208/230 Volt Data (Phase-Hz)	1-60	1-60	1-60	1-60	1-60	1-60
Data:	Time Delay Fuse	20	25	30	35	45	60
	Max. Fuse / HACR Breaker	25	30	35	50	50	70
	Ampacity	16.98	21.07	24.3	31.7	35.3	42.3
Condenser	Coil Total Face Area (Sq. Ft.)	10.3	10.3	10.3	10.3	10.3	10.3
Data:	Fins Per In. - Rows	16-1	16-1	16-1 ^{1/2}	16-1 ^{1/2}	18-1 ^{1/2}	18-2
	Tube Dia. (In.)	³ / ₈	³ / ₈	³ / ₈	³ / ₈	³ / ₈	³ / ₈
	Fan H.P. / Type	¹ / ₆ / PSC	¹ / ₆ / PSC	¹ / ₃ / PSC	¹ / ₃ / PSC	¹ / ₃ / PSC	¹ / ₃ / PSC
Motor:	Full Load Amps.	1	1	1.7	1.7	1.7	1.7
	Lock Rotor Amps.	1.72	1.72	4.04	4.04	5.0	5.0
Fan:	Size (Dia.) (In.)	20.375	20.375	20.375	20.375	20.375	20.375
	RPM (Max.)	1100	1100	1100	1120	1140	1140
Evaporator	Coil Total Face Area (Sq. Ft.)	4	4	4	4	4	4
Data	Fins Per In. - Rows	14-2	14-3	14-3	14-3	14-4	14-4
	Tube Dia. (In.)	³ / ₈	³ / ₈	³ / ₈	³ / ₈	³ / ₈	³ / ₈
	Blower H.P. / Type / Speeds	¹ / ₄ / PSC / 4	¹ / ₃ / PSC / 4	¹ / ₂ / PSC / 4	¹ / ₂ / PSC / 4	1 / PSC / 3	1 / PSC / 2
Motor:	Full Load Amps	1.4	2.2	3.6	3.6	6.3	4.5
	Locked Rotor Amps	3.1	5.6	7.4	7.4	13.2	13.0
Blower	Type / Size	DD10 / 6	DD10 / 6	DD10 / 8	DD10 / 8	DD10 / 8	DD11 / 8
	CFM (Rated)	800	1000	1200	1400	1650	1900
	RPM (Max.)	1075	1075	1075	1075	1075	1075
Compressor	Full Load Amps.	11.3	13.7	15.2	20.1	21.8	32.1
Data:	Locked Rotor Amps.	61	75	96	127	131	169
Factory Refrigerant Charge (Type R-22)		58 oz.	58 oz.	84 oz.	82 oz.	81 oz.	105 oz.
Weights	Shipping	275	275	280	280	280	280

UNIT PERFORMANCE DATA

Model No.	Capacity BTUH	Sensible / Total Ratio	S.E.E.R.	E.E.R.	Power Input Watts	Evaporator Rated Air Flow CFM
PA5524AKA	22,800	.77	10.05	8.75	2610	800
PA5530AKA	28,500	.77	10.05	8.90	3190	1000
PA5536AKA	34,000	.78	10.05	8.96	3780	1200
PA5542AKA	40,000	.78	10.05	8.88	4520	1400
PA5548AKA	45,000	.80	10.05	8.79	5120	1600
PA5560AKA	57,000	.76	10.00	8.3	6867	1900

BLOWER PERFORMANCE DATA

MODEL NUMBER		PA5524AKA			PA5530AKA			PA5536/42AKA			PA5548AKA			PA5560AKA		
Blower Speed		Med Lo	Med Hi	Hi	Med Lo	Med Hi	Hi	Lo	Med Lo	Med Hi	Hi	Med Lo	Med Hi	Hi	Med Hi	Hi
AIR DELIVERY IN CFM VARYING EXT. STATIC PRESSURE (IN. W.C.)	.25	767	901	1070	976	1069	1130	1208	1373	1471	1589	1707	1827	1904	1919	2214
	.35	759	887	1053	946	1023	1086	1190	1337	1427	1540	1651	1759	1822	1878	2139
	.45	747	875	1028	946	982	1033	1176	1292	1379	1467	1577	1670	1736	1837	2050
	.55	718	856	994	910	927	973	1137	1260	1329	1411	1497	1572	1635	1789	1948
	.65	672	826	944	863	863	901	1085	1186	1256	1319	1417	1478	1530	1737	1866
	.75	671	737	884	805	781	817	1019	1109	1181	1235	1322	1377	1411	1692	1808

Air delivery against shown external static pressures taken with 230V. to unit, dry coil and equipped with approved heater. For wet coil sadd .05" W.C to Ext. Static Press. measurement.

NOTE: For 208 Volt applications, reduce airflow by 15%.

ELECTRICAL DATA TABLE: STRIP HEATERS

HEATER MODEL	Used With	Supply Voltage	KW Rating	Nominal Heating BTUH	Supply Circuit No.	Heater Amps	Minimum Circuit Ampacity	Maximum Overcurrent Protective Device (Amps)
AMMK05AHA	PA5524-60	240-1-60	4.8	16,382	L3 - L4	20.0	25.0	30
AMMK05AHB		208-1-60	3.6	12,287	L3 - L4	17.3	21.6	25
AMMK07AHA	PA5524-60	240-1-60	7.5	25,598	L3-L4	31.2	39.0	45
AMMK07AHB		208-1-60	5.6	19,113	L3-L4	26.9	33.6	40
AMMK10AHA	PA5524-60	240-1-60	9.6	32,765	L3 - L4	40.0	50.0	60
AMMK10AHB		208-1-60	7.2	24,574	L5 - L6	34.6	43.3	50
AMMK15AHB	PA5530-60	240-1-60	14.4	49,147	L3 - L4 L5 - L6	40.0 20.0	50.0 25.0	60 30
		208-1-60	10.8	36,860	L3 - L4 L5 - L6	34.6 17.3	43.3 21.6	50 25
AMMK20AHB	PA5530-60	240-1-60	19.2	65,530	L3 - L4 L5 - L6	40.0 40.0	50.0 50.0	60 60
		208-1-60	14.4	49,147	L3 - L4 L5 - L6	34.6 34.6	43.3 43.3	50 50

PERFORMANCE DATA: ELECTRIC HEAT ACCESSORY

Heater Model	Use With	Supply Voltage	KW Rating	Total Heating BTUH	*Temperature Rise °F @ CFM								
					600	800	1000	1200	1400	1600	1800	2000	2200
AMMK05AHA	PAHB24 - 60	240-1-60	4.8	16,832	25.3	19.0	15.2	12.6	10.8	9.5	8.4	7.6	---
AMMK05AHB		208-1-60	3.6	12,287	19.0	14.2	11.4	9.5	8.1	7.1	6.3	5.7	---
AMMK07AHA	PA5524 - 60	240-1-60	7.5	25,598	39.5	29.6	23.7	19.8	16.9	14.8	13.2	11.9	10.8
AMMK07AHB		208-1-60	5.6	19,113	29.5	22.1	17.7	14.7	12.6	11.1	9.8	8.8	8.0
AMMK10AHA	PA5524 - 60	240-1-60	9.6	32,765	50.6	37.9	30.3	25.3	21.7	19.0	16.9	15.2	13.8
AMMK10AHB		208-1-60	7.2	24,574	37.9	28.4	22.8	19.0	16.3	14.2	12.6	11.4	10.3
AMMK15AHB *	PA5530 - 60	240-1-60	14.4	49,147	---	56.9	45.5	37.9	32.5	28.4	25.3	22.8	20.7
		208-1-60	10.8	36,860	56.9	42.7	34.1	28.4	24.4	21.3	19.0	17.1	15.5
AMMK20AHB **	PA5530 - 60	240-1-60	19.2	65,530	---	---	---	50.6	43.3	37.9	33.7	30.3	27.6
		208-1-60	14.4	49,147	---	56.9	45.5	37.9	32.5	28.4	25.3	22.8	20.7

* 15 KW HEATER NOT TO BE OPERATED ON LOW BLOWER SPEED TAP FOR PA5530 AND PH5530.

** 20 KW HEATER NOT TO BE OPERATED ON LOW OR MED. LOW BLOWER SPEED TAP FOR PA5536 & 42 AND PH5536 & 42.

SERIES ACCESSORIES

DUCT KITS

Model No.	Description
NACA001DK	BASIC FLEXIBLE DUCT INSTALLATION KIT. For SINGLE Return & SINGLE Supply application Includes:1- 12" x 7ft & 1- 14" x 5ft flex duct, screw clamps & one 12"x20" Floor Ret. Grill, plenum & 18" x 18" Permanent Filter, 1 - 12" dovetail adapter.
NACA002DK	DOUBLE SUPPLY DUCT KIT To be used with NACA001DK. For double wide home where 2 supply trunklines are used. Adapts 1-12" supply to 2-10" trunks. Includes: 1- 10"x14ft flex duct; 1- Insulated Wye (12x10x10), 2-10" adaptors & 4-10" clamps.
NAXA001DK	DOUBLE RETURN DUCT KIT To be used with NACA001DK. Required with 3 1/2 - 5 ton units for airflow and optional for use in double wide homes. Includes: one 12"x20" Floor Ret. Grill, plenum & 18" x 18" Permanent Filter; 1-14"x14' flex duct; 1- 14"x14" Insulated Wye & 4-14" clamps
NACA003DK	FLEXIBLE DUCT KIT. Includes: 1- 12" x 10' flex duct with 4" collars on both ends. 1- 14" x 5' flex duct with 4" collars on both ends. 2- 12" duct clamps - gear drive, 2- 14" duct clamps - gear drive.

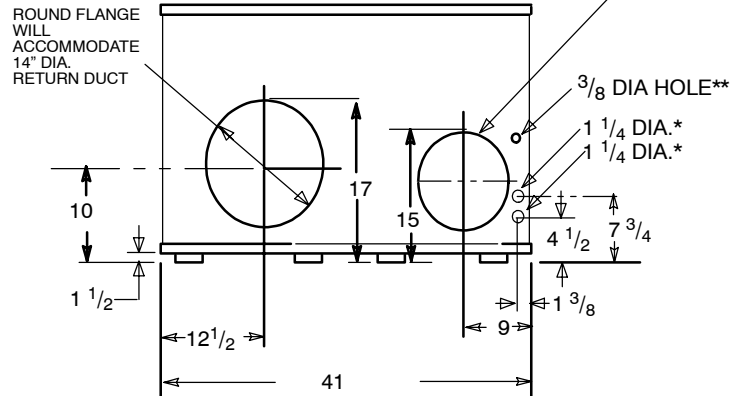
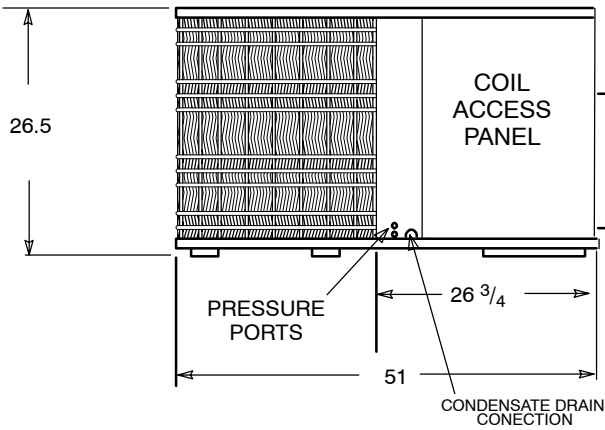
ELECTRIC HEATERS

AMMK05AHB	4.8 KW STRIP HEATER WITH BREAKER. (* ORDER UNIT BREAKER SEPERATELY)
AMMK07AHB	7.5 KW STRIP HEATER WITH BREAKER. (* ORDER UNIT BREAKER SEPERATELY)
AMMK10AHB	9.6 KW STRIP HEATER WITH BREAKER. (* ORDER UNIT BREAKER SEPERATELY)
AMMK15AHB	14.4 KW STRIP HEATER WITH BREAKER. (* ORDER UNIT BREAKER SEPERATELY)
AMMK20AHB	19.2 KW STRIP HEATER WITH BREAKER. (* ORDER UNIT BREAKER SEPERATELY)
AMMK05AHA	4.8 KW STRIP HEATER PIGTAIL CONNECTION ONLY, NO BREAKER.
AMMK07AHA	7.5 KW STRIP HEATER PIGTAIL CONNECTION ONLY, NO BREAKER.
AMMK10AHA	9.6 KW STRIP HEATER PIGTAIL CONNECTION ONLY, NO BREAKER.

UNIT DIMENSIONS

NOTE: DUCT COLLARS ATTACHED TO SUPPLY AND RETURN MUST BE REVERSED AT INSTALLATION.

ALL DIMENSIONS IN INCHES



* ELECTRICAL ACCESS FOR LINE VOLTAGE POWER SUPPLY-ONE FOR UNIT, ONE FOR HEATER

** FOR LOW VOLTAGE WIRING

UNIT CIRCUIT BREAKERS - Required with breaker style heater for unit disconnect

Breaker Amps	Part Number	Application
20	1082007	N/A
25	1082008	2 TON
30	1082009	2 1/2 TON
35	1082010	3 TON
40	1082011	N/A
45	1082012	N/A
50	1082013	3 1/2 - 4 TON
60	1082014	5 TON
60 Switch	1082042	Fits All - Disconnect Switch Only (No Over Current Protection)
AMM001DSA	DISCONNECT SWITCH KIT (includes 60A switch & rain shield) BREAKER FOR UNIT ONLY. FOR "NO HEAT" or PIGTAIL STYLE HEATER APPLICATION ONLY.	

MODEL NUMBER IDENTIFICATION GUIDE

MODEL NUMBER	N	P	A	5	5	24	A	K	VOLTAGE
BRAND INDICATOR									
PRODUCT FAMILY									
P - PACKAGE									
PRODUCT TYPE									
A - A/C									
H - HEAT PUMP									
GROUP									
5 - Standard Efficiency									
9 - High Efficiency									
									PHASE
									208/230-240
									FEATURES
									CAPACITY MBTUH
									SERIES