

R2A3-N

Product Specifications

For Use With R-22 Refrigerant

AIR CONDITIONER COMPONENT

1-1/2 THRU 5 TONS

208 / 230 Volt, 1-phase, 60 Hz

REFRIGERATION CIRCUIT

- Scroll compressors on all models
- Compressors contain proper charge of POE oil**
- Copper tube / aluminum fin coil

EASY TO INSTALL AND SERVICE

- Easy Access service valves on all models
- External high and low refrigerant service ports
- Only two screws to access control panel
- Factory charged with dry nitrogen holding charge
 - For use with R-22 refrigerant

BUILT TO LAST

- Pre-painted cabinet finish over galvanized steel
- Coated inlet grille with 3/8" (10mm) grille spacing for extra protection (hail guard)

LIMITED WARRANTY*

- 5 year parts limited warranty (including compressor and coil)
- * For residential applications only. See warranty certificate for complete details and restrictions, including warranty coverage for other applications.

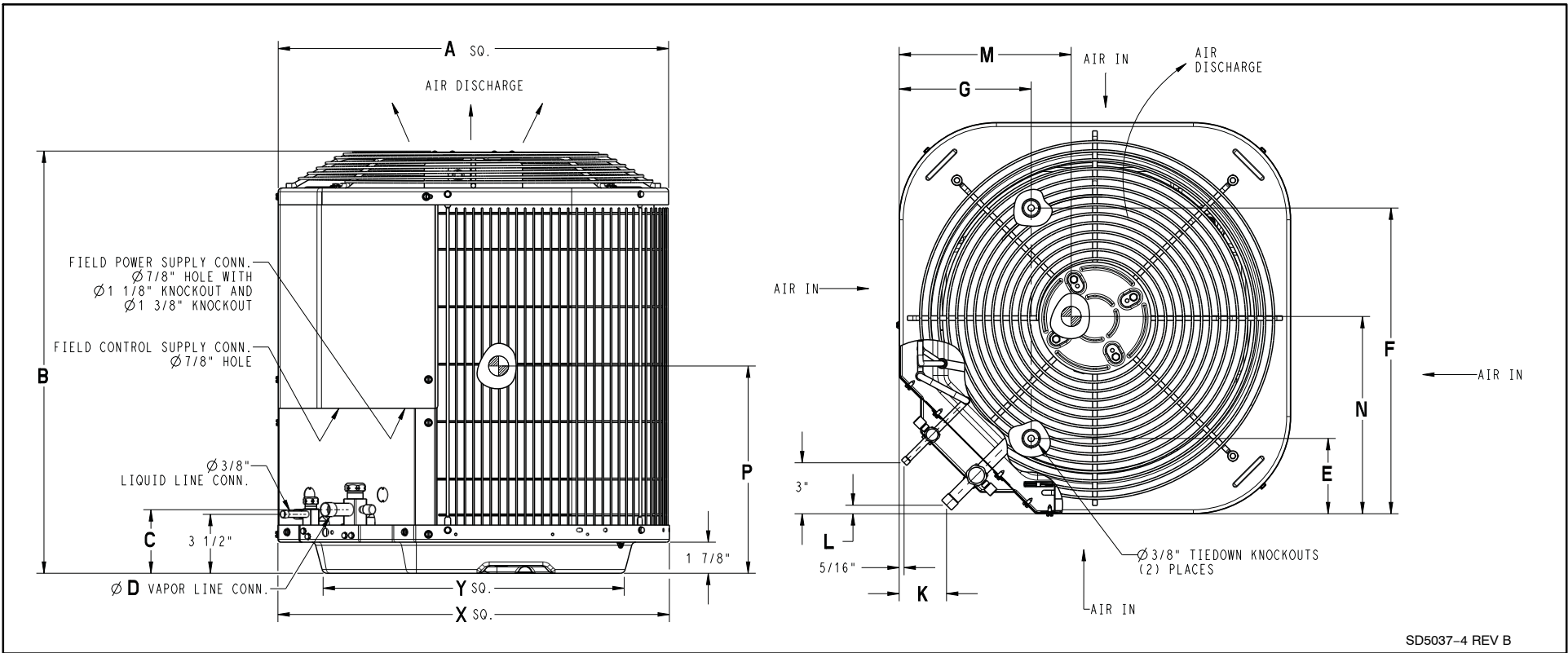


Use of the AHRI Certified TM Mark indicates a manufacturer's participation in the program. For verification of certification for individual products, go to www.ahridirectory.org.



- * Units factory shipped with no refrigerant, dry nitrogen charge only.
- **An approved filter drier (XH-6 with 25% activated alumina/75% molecular sieve desiccants) is required to be installed in the liquid line of this product due to use of POE oil in the compressor. Check with your factory authorized distributor for availability.

| Model Number | Size (tons) | Nominal BTU/hr | Min. Circuit Ampacity | Max. Fuse or Breaker | Operating Dimensions height x width x depth in.(mm) | Shipping/Operating Weight lbs.(kg) |
|--------------|-------------|----------------|-----------------------|----------------------|---|------------------------------------|
| R2A318GKN | 1-1/2 | 18,000 | 10.9 | 15 | 24-13/16 x 23-1/8 x 23-1/8 (630 x 587 x 587) | 124 / 109 (56 / 49) |
| R2A324GKN | 2 | 24,000 | 14.0 | 20 | 28-7/16 x 23-1/8 x 23-1/8 (722 x 587 x 587) | 128 / 113 (58 / 51) |
| R2A330GKN | 2-1/2 | 30,000 | 17.7 | 30 | 28-7/16 x 23-1/8 x 23-1/8 (722 x 587 x 587) | 131 / 117 (59 / 53) |
| R2A336GKN | 3 | 36,000 | 20.4 | 30 | 24-13/16 x 31-3/16 x 31-3/16 (630 x 792 x 792) | 163 / 141 (74 / 64) |
| R2A342GKN | 3-1/2 | 42,000 | 25.4 | 40 | 31-13/16 x 31-3/16 x 31-3/16 (808 x 792 x 792) | 195 / 172 (88 / 78) |
| R2A348GKN | 4 | 48,000 | 26.7 | 40 | 42 x 31-3/16 x 31-3/16 (1067 x 792 x 792) | 219 / 184 (99 / 84) |
| R2A360GKN | 5 | 60,000 | 33.0 | 50 | 35-3/16 x 31-3/16 x 31-3/16 (894 x 792 x 792) | 240 / 217 (109 / 98) |

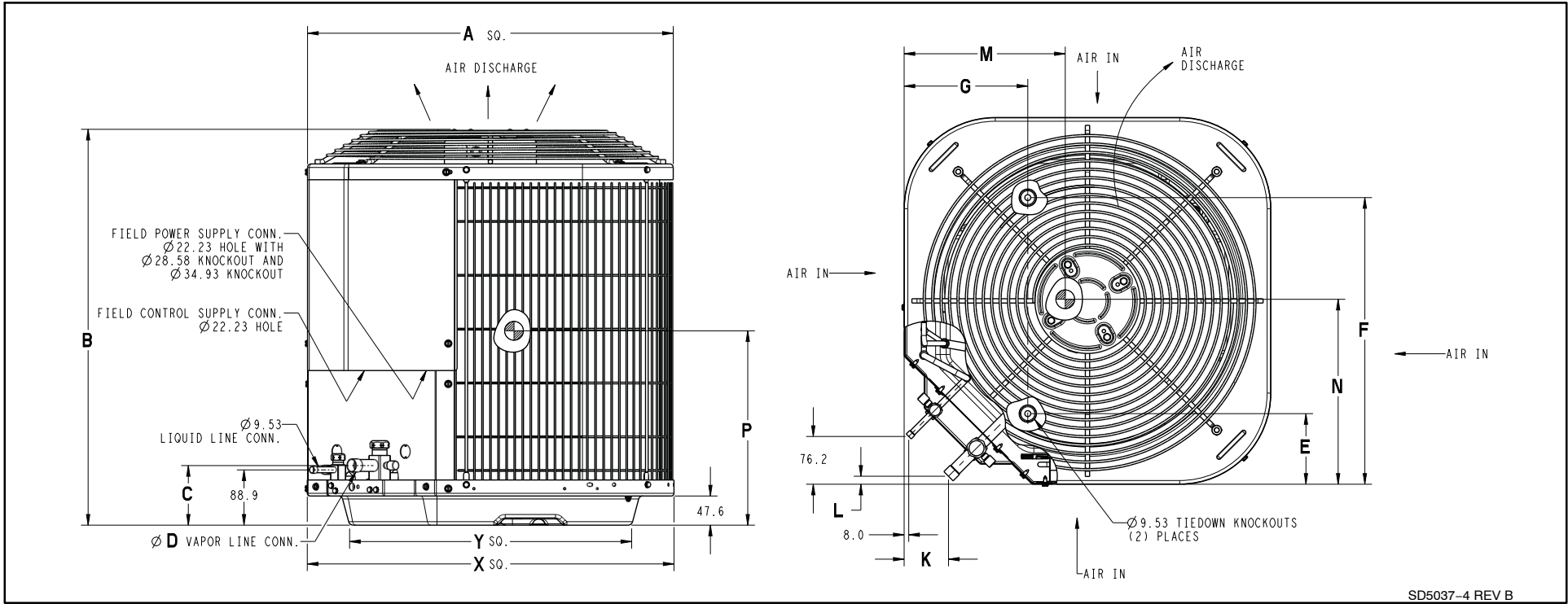


SD5037-4 REV B

1. Allow 24" clearance to service side of unit, 48" above unit, 6" on one side, 12" on remaining sides.
2. Maintain a distance of 24" between units or 18" if no overhang within 12".
3. Minimum outdoor operating ambient in cooling mode is 55°F, max 125°F.
4. Center of Gravity

All Dimensions Inches (English)

| Model | All Dimensions Inches (English) | | | | | | | | | | | | Minimum Ground Mounting Pad Size X | Minimum Rooftop Mounting Pad Size Y | Crated Dimensions H x W x D |
|-----------|---------------------------------|----------|-------|-----|--------|----------|---------|---------|-----|----|--------|--------|------------------------------------|-------------------------------------|-----------------------------|
| | A | B | C | D | E | F | G | K | L | M | N | P | | | |
| R2A318GKN | 23-1/8 | 24-13/16 | 3-3/4 | 3/4 | 4-7/16 | 18-1/16 | 7-13/16 | 2-13/16 | 1/2 | 12 | 11-3/4 | 11-7/8 | 23-1/8 x 23-1/8 | 17-3/4 x 17-3/4 | 27-3/16 x 24-1/8 x 24-1/8 |
| R2A324GKN | 23-1/8 | 28-7/16 | 3-3/4 | 3/4 | 4-7/16 | 18-1/16 | 7-13/16 | 2-13/16 | 1/2 | 12 | 11-3/4 | 12-1/2 | 23-1/8 x 23-1/8 | 17-3/4 x 17-3/4 | 30-5/8 x 24-1/8 x 24-1/8 |
| R2A330GKN | 23-1/8 | 28-7/16 | 3-3/4 | 3/4 | 4-7/16 | 18-1/16 | 7-13/16 | 2-13/16 | 1/2 | 12 | 11-3/4 | 12-7/8 | 23-1/8 x 23-1/8 | 17-3/4 x 17-3/4 | 30-5/8 x 24-1/8 x 24-1/8 |
| R2A336GKN | 31-3/16 | 24-13/16 | 3-7/8 | 7/8 | 6-9/16 | 24-11/16 | 9-1/8 | 2-15/16 | 5/8 | 16 | 15-1/2 | 11-5/8 | 31-1/2 x 31-1/2 | 23 x 23 | 27-3/16 x 32-3/16 x 32-3/16 |
| R2A342GKN | 31-3/16 | 31-13/16 | 3-7/8 | 7/8 | 6-9/16 | 24-11/16 | 9-1/8 | 2-15/16 | 5/8 | 16 | 15-1/2 | 13-3/4 | 31-1/2 x 31-1/2 | 23 x 23 | 34 x 32-3/16 x 32-3/16 |
| R2A348GKN | 31-3/16 | 42 | 3-7/8 | 7/8 | 6-9/16 | 24-11/16 | 9-1/8 | 2-15/16 | 5/8 | 16 | 15-1/2 | 17 | 31-1/2 x 31-1/2 | 23 x 23 | 44-1/4 x 32-3/16 x 32-3/16 |
| R2A360GKN | 31-3/16 | 35-3/16 | 3-7/8 | 7/8 | 6-9/16 | 24-11/16 | 9-1/8 | 2-15/16 | 5/8 | 16 | 15-1/2 | 15-1/4 | 31-1/2 x 31-1/2 | 23 x 23 | 37-7/16 x 32-3/16 x 32-3/16 |



SD5037-4 REV B

1. Allow 610 mm clearance to service side of unit, 1219 mm above unit, 152 mm on one side, 305 mm on remaining sides
2. Maintain a distance of 610 mm between units or 457 mm if no overhang within 3.7 m.
3. Minimum outdoor operating ambient in cooling mode is 13°C, max 52°C.
4. Center of Gravity

| Model | All Dimensions mm (SI Metric) | | | | | | | | | | | | Minimum Ground Mounting Pad Size X | Minimum Rooftop Mounting Pad Size Y | Crated Dimensions H x W x D |
|-----------|-------------------------------|------|----|----|-----|-----|-----|----|----|-----|-----|-----|------------------------------------|-------------------------------------|-----------------------------|
| | A | B | C | D | E | F | G | K | L | M | N | P | | | |
| R2A318GKN | 587 | 630 | 95 | 19 | 113 | 459 | 198 | 71 | 13 | 305 | 298 | 302 | 597 x 597 | 451 x 451 | 691 x 613 x 613 |
| R2A324GKN | 587 | 722 | 95 | 19 | 113 | 459 | 198 | 71 | 13 | 305 | 298 | 318 | 597 x 597 | 451 x 451 | 778 x 613 x 613 |
| R2A330GKN | 587 | 722 | 95 | 19 | 113 | 459 | 198 | 71 | 13 | 305 | 298 | 327 | 597 x 597 | 451 x 451 | 778 x 613 x 613 |
| R2A336GKN | 792 | 630 | 98 | 22 | 167 | 627 | 232 | 75 | 16 | 406 | 394 | 295 | 800 x 800 | 583 x 583 | 691 x 818 x 818 |
| R2A342GKN | 792 | 808 | 98 | 22 | 167 | 627 | 232 | 75 | 16 | 406 | 394 | 349 | 800 x 800 | 583 x 583 | 864 x 818 x 818 |
| R2A348GKN | 792 | 1067 | 98 | 22 | 167 | 627 | 232 | 75 | 16 | 406 | 394 | 432 | 800 x 800 | 583 x 583 | 1124 x 818 x 818 |
| R2A360GKN | 792 | 894 | 98 | 22 | 167 | 627 | 232 | 75 | 16 | 406 | 394 | 387 | 800 x 800 | 583 x 583 | 951 x 818 x 818 |

| PHYSICAL DATA | | | | | | | |
|---|----------------|----------------|----------------|-----------------|-----------------|-----------------|-----------------|
| Model Size | 18 | 24 | 30 | 36 | 42 | 48 | 60 |
| Nominal Cooling Capacity (BTU/hr) | 18,000 | 24,000 | 30,000 | 36,000 | 42,000 | 48,000 | 60,000 |
| Sound Rating (dBA)** | 76 | 76 | 77 | 76 | 80 | 80 | 80 |
| PSC Fan Motor HP | 1/12 | 1/12 | 1/10 | 1/5 | 1/4 | 1/4 | 1/4 |
| Fan RPM (single speed) | 1100 | 1100 | 1100 | 1100 | 1100 | 1100 | 1100 |
| Fan CFM | 1700 | 1700 | 2000 | 3100 | 3400 | 3400 | 3400 |
| Coil Face Area ft ² (m ²) | 8.40 (0.78) | 9.80 (0.91) | 9.80 (0.91) | 12.98 (1.21) | 17.30 (1.61) | 23.79 (2.21) | 19.47 (1.81) |
| Coil Rows – fins per inch | 1 – 25 | 1 – 25 | 1 – 25 | 1 – 25 | 1 – 25 | 1 – 25 | 2 – 20 |
| Liquid Line Connection Size in. (mm) | 3/8 (10) | 3/8 (10) | 3/8 (10) | 3/8 (10) | 3/8 (10) | 3/8 (10) | 3/8 (10) |
| Vapor Line Connection Size in. (mm) | 3/4 (19) | 3/4 (19) | 3/4 (19) | 7/8 (22) | 7/8 (22) | 7/8 (22) | 7/8 (22) |
| Recommended Line Set Liquid Tube Diameter in. (mm) | 3/8 (10) | 3/8 (10) | 3/8 (10) | 3/8 (10) | 3/8 (10) | 3/8 (10) | 3/8 (10) |
| Recommended Line Set Vapor Tube Diameter in. (mm) | 3/4 (19)* | 3/4 (19) | 3/4 (19)* | 7/8 (22)* | 7/8 (22)* | 1-1/8 (29)* | 1-1/8 (29)* |
| * Recommended Vapor Tube Line size is for standard installations. These recommendations may not apply to “Long Line” installations. When the total equivalent line length exceeds 80 feet (24.4m) or there is more than 20 feet (6.1m) vertical separation between indoor and outdoor units, consult the Long Line Application Guideline document before purchasing/installing line sets. | | | | | | | |
| Suggested Field R-22 Refrigerant Charge for 15 foot (4.6m) Lineset lbs. (kg) | 3.56 (1.62) | 4.08 (1.85) | 4.11 (1.87) | 5.35 (2.43) | 7.01 (3.19) | 8.88 (4.04) | 10.52 (4.79) |
| Required Subcooling °F (°C) | 8 (4) | 10 (6) | 10 (6) | 10 (6) | 10 (6) | 10 (6) | 10 (6) |

| ELECTRICAL DATA (208/230-1-60, voltage range 197V – 253V) | | | | | | | |
|---|-------------|--------------|--------------|--------------|---------------|---------------|---------------|
| Model Size | 18 | 24 | 30 | 36 | 42 | 48 | 60 |
| Minimum Circuit Ampacity – MCA (amps) | 10.9 | 14.0 | 17.7 | 20.4 | 25.4 | 26.7 | 33.0 |
| Maximum OverCurrent Protective device – MOCP (amps) | 15 | 20 | 30 | 30 | 40 | 40 | 50 |
| Compressor RLA (Rated Load Amps) LRA (Locked Rotor Amps) | 8.3 40.3 | 10.8 56.3 | 13.5 68.3 | 15.4 87.0 | 19.2 112.0 | 20.2 137.0 | 25.3 146.0 |
| Fan Motor FLA (Full Load Amps) | .5 | .5 | .77 | 1.1 | 1.4 | 1.4 | 1.4 |

**Sound Rating tested in accordance with AHRI Standard 270-2008 (not listed with AHRI).

TESTED AHRI COMBINATION RATINGS*

NOTE: Ratings contained in this document are subject to change at any time.

For AHRI ratings certificates, please refer to the AHRI directory. www.ahridirectory.org

Additional ratings and system combinations can be accessed via the Maratherm database:

<http://www.icpeqp.com/AHRIratings/ratings.aspx?Brand=Maratherm>

Or scan this QR code:



ACCESSORY USAGE GUIDELINES

| Accessory | REQUIRED FOR LOW-AMBIENT APPLICATIONS {Below 55°F (13°C)} | REQUIRED FOR LONG-LINE APPLICATIONS* {Over 80 Ft.(24.4m)} |
|------------------------------------|---|---|
| Crankcase Heater | Yes | Yes |
| Evaporator Freeze Thermostat | Yes | No |
| Winter Start Control | Yes ** | No |
| Hard Start Kit (Capacitor & Relay) | Yes | Yes |
| Low Ambient Kit (Pressure Switch) | Yes | No |
| Support Feet, 4" (102mm) tall | Recommended | No |
| Liquid Line Solenoid Valve | No | See Long-Line Application Guideline |

* For Line Set lengths between 80 and 200 ft (24.4 and 61m) horizontal, or more than 20 ft (6.1m) indoor-outdoor vertical separation, refer to the Long Line Application Guideline document.

** Can only be installed in conjunction with Low Pressure Switch.

ACCESSORIES

| Part Number | Description | Used On Model Size |
|-------------|---|------------------------|
| NASA001SC | Start Component - PTC Device | ALL |
| NASA00201FS | Evaporator Freeze Thermostat | ALL |
| NASA203PS | Low Pressure Switch | ALL |
| NASA204PS | High Pressure Switch | ALL |
| NASA201LS | Liquid Line Solenoid Valve | ALL |
| NASA001TD | Time Delay Relay, Indoor Blower | ALL |
| NASA00201WS | Winter Start Control | ALL |
| NASA001AC | Anti-Cycle Timer (5 minute delay) | ALL |
| NASA201LA | Low Ambient Kit (Pressure Switch) | ALL |
| NASA00201SF | Support Feet, 4" (102mm) tall (5 blocks) | 18, 24, 30 |
| NASA001SF | Support Feet, 4" (102mm) tall (4 blocks) | 36, 42, 48, 60 |
| NASA003CH | Crankcase Heater for Compressor | 18, 24, 30, 36 |
| NASA001CH | Crankcase Heater for Compressor | 42, 48, 60 |
| NASA003SC | Hard Start Kit (Capacitor & Relay) | 18, 24, 36, 42, 48 |
| NASA005SC | Hard Start Kit (Capacitor & Relay) | 30, 60 |
| NASA001SJ | Sound Jacket, Compressor | 18, 24, 30, 36, 42, 48 |
| NASA003SJ | Sound Jacket, Compressor | 60 |
| AMF153TKB | TXV Kit, R-22 (converts R-22 Aeroquip piston coils to R-22 TXV) | 18, 24, 30, 36 |
| AMF355TKB | TXV Kit, R-22 (converts R-22 Aeroquip piston coils to R-22 TXV) | 42, 48, 60 |