

R2A3

Product Specifications

For Use With R-22 Refrigerant

AIR CONDITIONER COMPONENT

1-1/2 THRU 5 TONS

208 / 230 Volt, 1-phase, 60 Hz

REFRIGERATION CIRCUIT

- Scroll compressors on all models
- Compressors contain proper charge of POE oil**
- Copper tube / aluminum fin coil

EASY TO INSTALL AND SERVICE

- Easy Access service valves on all models
- External high and low refrigerant service ports
- Only two screws to access control panel
- Factory charged with dry nitrogen holding charge
 - For use with R-22 refrigerant

BUILT TO LAST

- Pre-painted cabinet finish over galvanized steel
- Coated inlet grille with 3/8" (10mm) grille spacing for extra protection (hail guard)

WARRANTY*

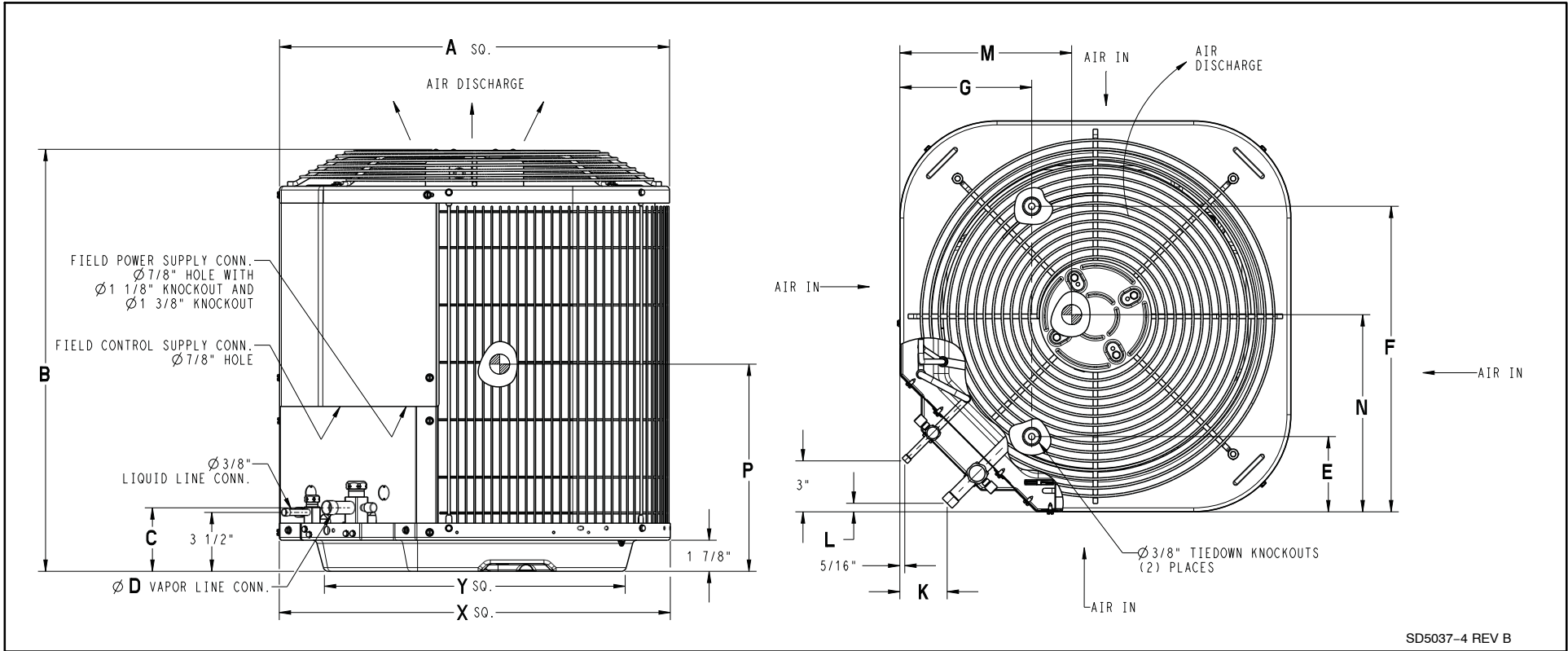
- 5 year parts limited warranty (including compressor and coil)
- * For owner occupied, residential applications only. See warranty certificate for complete details and restrictions, including warranty coverage for other applications.



Use of the AHRI Certified TM Mark indicates a manufacturer's participation in the program. For verification of certification for individual products, go to www.ahridirectory.org.

- * Units factory shipped with no refrigerant, dry nitrogen charge only.
- **An approved filter drier (XH-6 with 25% activated alumina/75% molecular sieve desiccants) is required to be installed in the liquid line of this product due to use of POE oil in the compressor. Check with your factory authorized distributor for availability.

Model Number	Size (tons)	Nominal BTU/hr	Min. Circuit Ampacity	Max. Fuse or Breaker	Operating Dimensions height x width x depth in.(mm)	Shipping/Operating Weight lbs.(kg)
R2A318GKR	1-1/2	18,000	10.9	15	24-13/16 x 23-1/8 x 23-1/8 (630 x 587 x 587)	124 / 109 (56 / 49)
R2A324GKR	2	24,000	14.0	20	28-7/16 x 23-1/8 x 23-1/8 (722 x 587 x 587)	128 / 113 (58 / 51)
R2A330GKR	2-1/2	30,000	17.7	30	28-7/16 x 23-1/8 x 23-1/8 (722 x 587 x 587)	131 / 117 (59 / 53)
R2A336GKR	3	36,000	20.4	30	24-13/16 x 31-3/16 x 31-3/16 (630 x 792 x 792)	163 / 141 (74 / 64)
R2A342GKR	3-1/2	42,000	25.4	40	31-13/16 x 31-3/16 x 31-3/16 (808 x 792 x 792)	195 / 172 (88 / 78)
R2A348GKR	4	48,000	26.7	40	42 x 31-3/16 x 31-3/16 (1067 x 792 x 792)	219 / 184 (99 / 84)
R2A360GKR	5	60,000	33.0	50	35-3/16 x 31-3/16 x 31-3/16 (894 x 792 x 792)	240 / 217 (109 / 98)

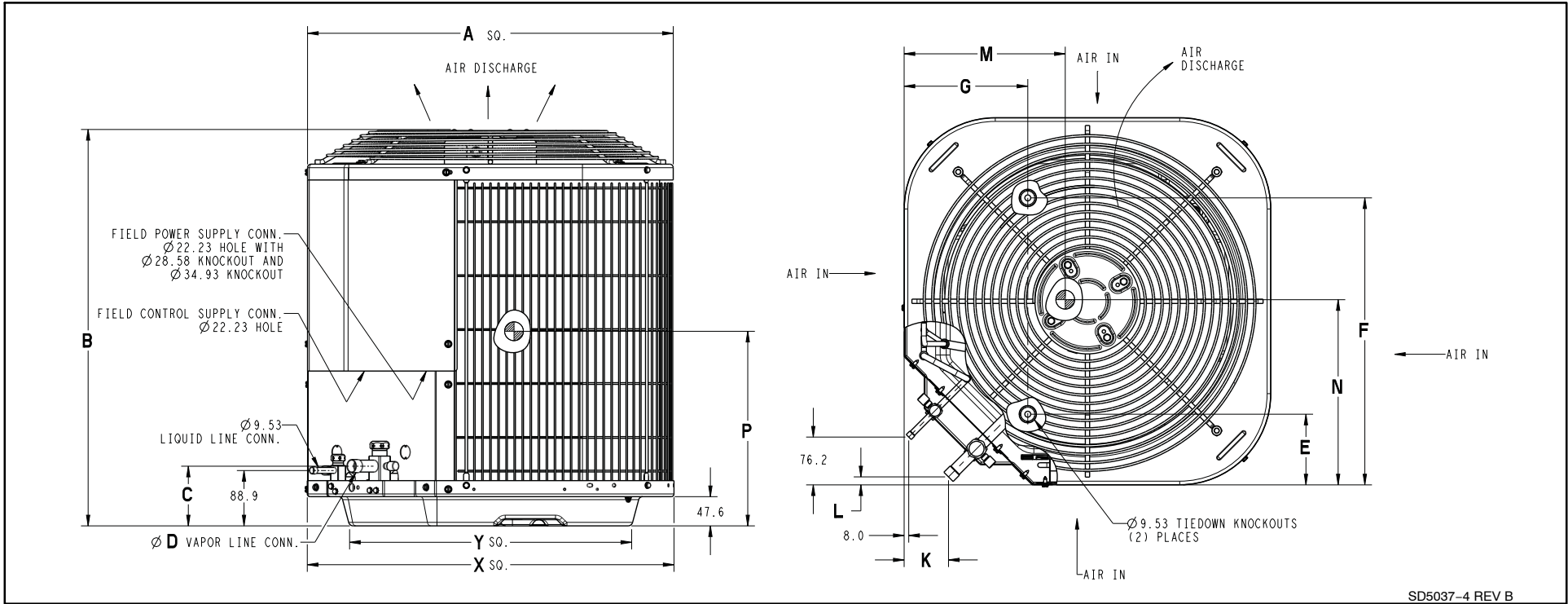


SD5037-4 REV B

1. Allow 24" clearance to service side of unit, 48" above unit, 6" on one side, 12" on remaining sides.
2. Maintain a distance of 24" between units or 18" if no overhang within 12'.
3. Minimum outdoor operating ambient in cooling mode is 55°F, max 125°F.
4. Center of Gravity

All Dimensions Inches (English)

Model	All Dimensions Inches (English)												Minimum Ground Mounting Pad Size X	Minimum Rooftop Mounting Pad Size Y	Crated Dimensions H x W x D
	A	B	C	D	E	F	G	K	L	M	N	P			
R2A318GKR	23-1/8	24-13/16	3-3/4	3/4	4-7/16	18-1/16	7-13/16	2-13/16	1/2	12	11-3/4	11-7/8	23-1/8 x 23-1/8	17-3/4 x 17-3/4	27-3/16 x 24-1/8 x 24-1/8
R2A324GKR	23-1/8	28-7/16	3-3/4	3/4	4-7/16	18-1/16	7-13/16	2-13/16	1/2	12	11-3/4	12-1/2	23-1/8 x 23-1/8	17-3/4 x 17-3/4	30-5/8 x 24-1/8 x 24-1/8
R2A330GKR	23-1/8	28-7/16	3-3/4	3/4	4-7/16	18-1/16	7-13/16	2-13/16	1/2	12	11-3/4	12-7/8	23-1/8 x 23-1/8	17-3/4 x 17-3/4	30-5/8 x 24-1/8 x 24-1/8
R2A336GKR	31-3/16	24-13/16	3-7/8	7/8	6-9/16	24-11/16	9-1/8	2-15/16	5/8	16	15-1/2	11-5/8	31-1/2 x 31-1/2	23 x 23	27-3/16 x 32-3/16 x 32-3/16
R2A342GKR	31-3/16	31-13/16	3-7/8	7/8	6-9/16	24-11/16	9-1/8	2-15/16	5/8	16	15-1/2	13-3/4	31-1/2 x 31-1/2	23 x 23	34 x 32-3/16 x 32-3/16
R2A348GKR	31-3/16	42	3-7/8	7/8	6-9/16	24-11/16	9-1/8	2-15/16	5/8	16	15-1/2	17	31-1/2 x 31-1/2	23 x 23	44-1/4 x 32-3/16 x 32-3/16
R2A360GKR	31-3/16	35-3/16	3-7/8	7/8	6-9/16	24-11/16	9-1/8	2-15/16	5/8	16	15-1/2	15-1/4	31-1/2 x 31-1/2	23 x 23	37-7/16 x 32-3/16 x 32-3/16



1. Allow 610 mm clearance to service side of unit, 1219 mm above unit, 152 mm on one side, 305 mm on remaining sides
2. Maintain a distance of 610 mm between units or 457 mm if no overhang within 3.7 m.
3. Minimum outdoor operating ambient in cooling mode is 13°C, max 52°C.
4. Center of Gravity

Model	All Dimensions mm (SI Metric)												Minimum Ground Mounting Pad Size X	Minimum Rooftop Mounting Pad Size Y	Crated Dimensions H x W x D
	A	B	C	D	E	F	G	K	L	M	N	P			
R2A318GKR	587	630	95	19	113	459	198	71	13	305	298	302	597 x 597	451 x 451	691 x 613 x 613
R2A324GKR	587	722	95	19	113	459	198	71	13	305	298	318	597 x 597	451 x 451	778 x 613 x 613
R2A330GKR	587	722	95	19	113	459	198	71	13	305	298	327	597 x 597	451 x 451	778 x 613 x 613
R2A336GKR	792	630	98	22	167	627	232	75	16	406	394	295	800 x 800	583 x 583	691 x 818 x 818
R2A342GKR	792	808	98	22	167	627	232	75	16	406	394	349	800 x 800	583 x 583	864 x 818 x 818
R2A348GKR	792	1067	98	22	167	627	232	75	16	406	394	432	800 x 800	583 x 583	1124 x 818 x 818
R2A360GKR	792	894	98	22	167	627	232	75	16	406	394	387	800 x 800	583 x 583	951 x 818 x 818

PHYSICAL DATA							
Model Size	18	24	30	36	42	48	60
Nominal Cooling Capacity (BTU/hr)	18,000	24,000	30,000	36,000	42,000	48,000	60,000
Sound Rating (dBA)**	76	76	77	76	80	80	80
PSC Fan Motor HP	1/12	1/12	1/10	1/5	1/4	1/4	1/4
Fan RPM (single speed)	1100	1100	1100	1100	1100	1100	1100
Fan CFM	1700	1700	2000	3100	3400	3400	3400
Coil Face Area ft ² (m ²)	8.40 (0.78)	9.80 (0.91)	9.80 (0.91)	12.98 (1.21)	17.30 (1.61)	23.79 (2.21)	19.47 (1.81)
Coil Rows – fins per inch	1 – 25	1 – 25	1 – 25	1 – 25	1 – 25	1 – 25	2 – 20
Liquid Line Connection Size in. (mm)	3/8 (10)	3/8 (10)	3/8 (10)	3/8 (10)	3/8 (10)	3/8 (10)	3/8 (10)
Vapor Line Connection Size in. (mm)	3/4 (19)	3/4 (19)	3/4 (19)	7/8 (22)	7/8 (22)	7/8 (22)	7/8 (22)
Recommended Line Set Liquid Tube Diameter in. (mm)	3/8 (10)	3/8 (10)	3/8 (10)	3/8 (10)	3/8 (10)	3/8 (10)	3/8 (10)
Recommended Line Set Vapor Tube Diameter in. (mm)	3/4 (19)*	3/4 (19)	3/4 (19)*	7/8 (22)*	7/8 (22)*	1-1/8 (29)*	1-1/8 (29)*
* Recommended Vapor Tube Line size is for standard installations. These recommendations may not apply to “Long Line” installations. When the total equivalent line length exceeds 80 feet (24.4m) or there is more than 20 feet (6.1m) vertical separation between indoor and outdoor units, consult the Long Line Application Guideline document before purchasing/installing line sets.							
Suggested Field R-22 Refrigerant Charge for 15 foot (4.6m) Lineset lbs. (kg)	3.56 (1.62)	4.08 (1.85)	4.11 (1.87)	5.35 (2.43)	7.01 (3.19)	8.88 (4.04)	10.52 (4.79)
Required Subcooling °F (°C)	8 (4)	10 (6)	10 (6)	10 (6)	10 (6)	10 (6)	10 (6)

ELECTRICAL DATA (208/230-1-60, voltage range 197V – 253V)							
Model Size	18	24	30	36	42	48	60
Minimum Circuit Ampacity – MCA (amps)	10.9	14.0	17.7	20.4	25.4	26.7	33.0
Maximum OverCurrent Protective device – MOCP (amps)	15	20	30	30	40	40	50
Compressor RLA (Rated Load Amps) LRA (Locked Rotor Amps)	8.3 40.3	10.8 56.3	13.5 68.3	15.4 87.0	19.2 112.0	20.2 137.0	25.3 146.0
Fan Motor FLA (Full Load Amps)	.5	.5	.77	1.1	1.4	1.4	1.4

**Sound Rating tested in accordance with AHRI Standard 270-2008 (not listed with AHRI).

TESTED AHRI COMBINATION RATINGS*

NOTE: Ratings contained in this document are subject to change at any time.

For AHRI ratings certificates, please refer to the AHRI directory. www.ahridirectory.org

Additional ratings and system combinations can be accessed via the Maratherm database:

<http://www.icpeqp.com/AHRIratings/ratings.aspx?Brand=Maratherm>

Or scan this QR code:



ACCESSORY USAGE GUIDELINES

Accessory	REQUIRED FOR LOW-AMBIENT APPLICATIONS {Below 55°F (13°C)}	REQUIRED FOR LONG-LINE APPLICATIONS* {Over 80 Ft.(24.4m)}
Crankcase Heater	Yes	Yes
Evaporator Freeze Thermostat	Yes	No
Winter Start Control	Yes **	No
Hard Start Kit (Capacitor & Relay)	Yes	Yes
Low Ambient Kit (Pressure Switch)	Yes	No
Support Feet, 4" (102mm) tall	Recommended	No
Liquid Line Solenoid Valve	No	See Long-Line Application Guideline

* For Line Set lengths between 80 and 200 ft (24.4 and 61m) horizontal, or more than 20 ft (6.1m) indoor-outdoor vertical separation, refer to the Long Line Application Guideline document.

** Can only be installed in conjunction with Low Pressure Switch.

ACCESSORIES

Part Number	Description	Used On Model Size
NASA001SC	Start Component - PTC Device	ALL
NASA001FS	Evaporator Freeze Thermostat	ALL
NASA203PS	Low Pressure Switch	ALL
NASA204PS	High Pressure Switch	ALL
NASA201LS	Liquid Line Solenoid Valve	ALL
NASA001TD	Time Delay Relay, Indoor Blower	ALL
NASA00201WS	Winter Start Control	ALL
NASA001AC	Anti-Cycle Timer (5 minute delay)	ALL
NASA201LA	Low Ambient Kit (Pressure Switch)	ALL
NASA00201SF	Support Feet, 4" (102mm) tall (5 blocks)	18, 24, 30
NASA001SF	Support Feet, 4" (102mm) tall (4 blocks)	36, 42, 48, 60
NASA003CH	Crankcase Heater for Compressor	18, 24, 30, 36
NASA001CH	Crankcase Heater for Compressor	42, 48, 60
NASA003SC	Hard Start Kit (Capacitor & Relay)	18, 24, 36, 42, 48
NASA005SC	Hard Start Kit (Capacitor & Relay)	30, 60
NASA001SJ	Sound Jacket, Compressor	18, 24, 30, 36, 42, 48
NASA003SJ	Sound Jacket, Compressor	60
AMF153TKB	TXV Kit, R-22 (converts R-22 Aeroquip piston coils to R-22 TXV)	18, 24, 30, 36
AMF355TKB	TXV Kit, R-22 (converts R-22 Aeroquip piston coils to R-22 TXV)	42, 48, 60