



R4A3

Product Specifications

EFFICIENT 13 SEER AIR CONDITIONER ENVIRONMENTALLY SOUND R-410A REFRIGERANT

1-1/2 THRU 5 TONS SPLIT SYSTEM

208/230 Volt, 1-phase, 60 Hz

REFRIGERATION CIRCUIT

- Scroll compressors on all models
- Copper tube / aluminum fin coil

EASY TO INSTALL AND SERVICE

- Easy Access service valves on all models
- External high and low refrigerant service ports
- Only two screws to access control panel
- Factory charged with R-410A refrigerant

BUILT TO LAST

- Pre-painted cabinet finish over galvanized steel
- Coated inlet grille with 2" (51mm) spacing standard, alternate models available with 3/8" (10mm) grille spacing for extra protection

WARRANTY*

- 5 year compressor limited warranty
- 5 year parts limited warranty (including compressor and coil)
 - With timely registration, an additional 5 year parts limited warranty (including compressor and coil)

* Applies to original purchaser/homeowner, some limitations may apply. See Warranty certificate for complete details.

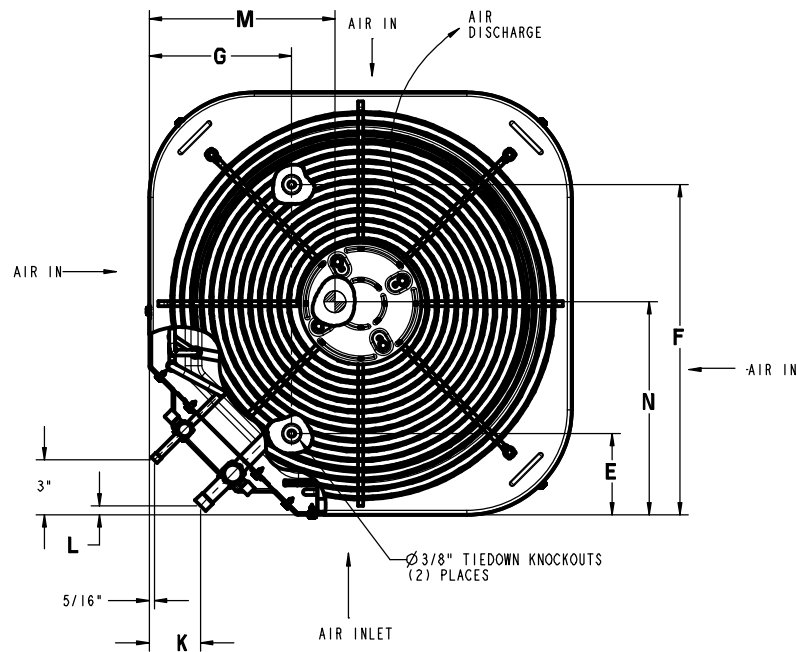
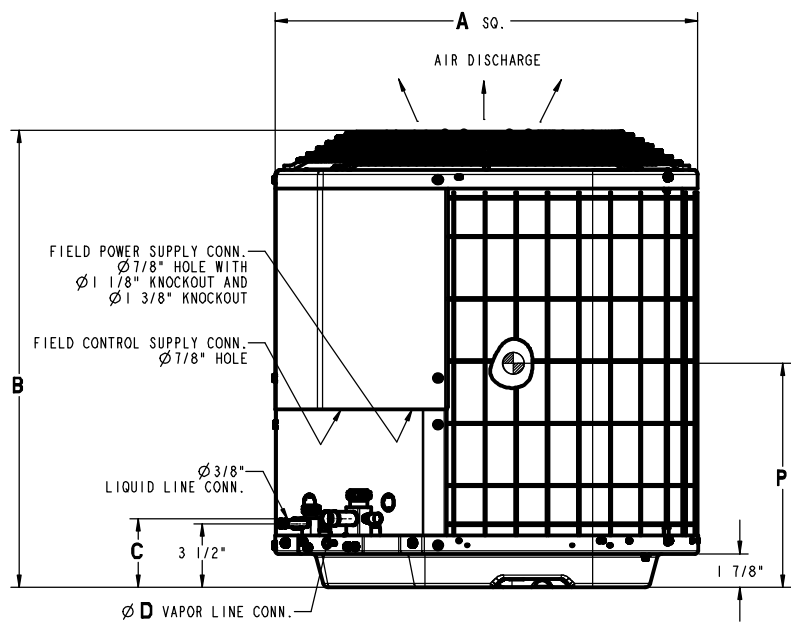


Use of the AHRI Certified TM Mark indicates a manufacturer's participation in the program. For verification of certification for individual products, go to www.ahridirectory.org.

Model Number	Size (tons)	Nominal BTU/hr	Min. Circuit Ampacity	Max. Fuse or Breaker	Operating Dimensions height x width x depth in. (mm)	Ship / Operating Weight lbs.(kg)
R4A318AKA	1-1/2	18,000	11.7	20	24-13/16 x 23-1/8 x 23-1/8 (630 x 587 x 587)	120 / 104 (54 / 47)
18GKA	same model with 3/8" spacing inlet grille					124 / 108 (56 / 49)
R4A324AKA	2	24,000	17.6	30	24-13/16 x 23-1/8 x 23-1/8 (630 x 587 x 587)	123 / 107 (56 / 49)
24GKA	same model with 3/8" spacing inlet grille					127 / 111 (58 / 50)
R4A330AKA	2-1/2	30,000	16.8	25	28-7/16 x 23-1/8 x 23-1/8 (722 x 587 x 587)	126 / 110 (57 / 50)
30GKA	same model with 3/8" spacing inlet grille					130 / 114 (59 / 52)
R4A336AKC	3	36,000	19.0	30	35-3/16 x 23-1/8 x 23-1/8 (894 x 587 x 587)	142 / 128 (65 / 58)
36GKC	same model with 3/8" spacing inlet grille					147 / 133 (67 / 61)
R4A342AKA	3-1/2	42,000	23.5	40	31-13/16 x 31-3/16 x 31-3/16 (808 x 792 x 792)	178 / 164 (81 / 74)
42GKA	same model with 3/8" spacing inlet grille					186 / 172 (85 / 78)
R4A348AKC	4	48,000	24.9	40	35-3/16 x 31-3/16 x 31-3/16 (894 x 792 x 792)	187 / 174 (85 / 79)
48GKC	same model with 3/8" spacing inlet grille					197 / 183 (90 / 83)
R4A360AKC	5	60,000	29.0	50	28-7/16 x 31-3/16 x 31-3/16 (722 x 792 x 792)	210 / 195 (96 / 89)
60GKC	same model with 3/8" spacing inlet grille					218 / 203 (99 / 92)

OUTDOOR UNIT MODEL NUMBER IDENTIFICATION GUIDE (single phase)											
Digit Position:	1	2	3	4	5, 6	7	8	9	10	11	12
Example Part Number:	R	4	A	3	18	A	K	A	2	0	0
Product Family	REFRIGERANT		TYPE			NOMINAL EFFICIENCY			NOMINAL CAPACITY		
4 = R-410A A = Air Conditioner H = Heat Pump 3 = 13 SEER 18 = 18,000 BTUH = 1-1/2 tons 24 = 24,000 BTUH = 2 tons 30 = 30,000 BTUH = 2-1/2 tons 36 = 36,000 BTUH = 3 tons 42 = 42,000 BTUH = 3-1/2 tons 48 = 48,000 BTUH = 4 tons 60 = 60,000 BTUH = 5 tons A = Standard Grille G = Coil Guard Grille K = 208/230-1-60 Sales Code Engineering Revision Extra Digit Extra Digit											
FEATURES						VOLTAGE					

ACCESSORIES PART NUMBER IDENTIFICATION GUIDE									
Digit Position:	1	2	3	4	5	6, 7	8, 9	10, 11	
Example Part Number:	N	A	S	A	0	01	01	CH	
BRANDING		PRODUCT GROUP		KIT USAGE		MAJOR SERIES		REFRIGERANT	
N = Non-Branded A = Accessory S = Split System (AC & HP) A = Original B = 2nd Generation 0 = Generic or Not Applicable 2 = R-22 4 = R-410A Product Identifier Number Package Quantity Type of Kit (Example: CH = Crankcase Heater)									

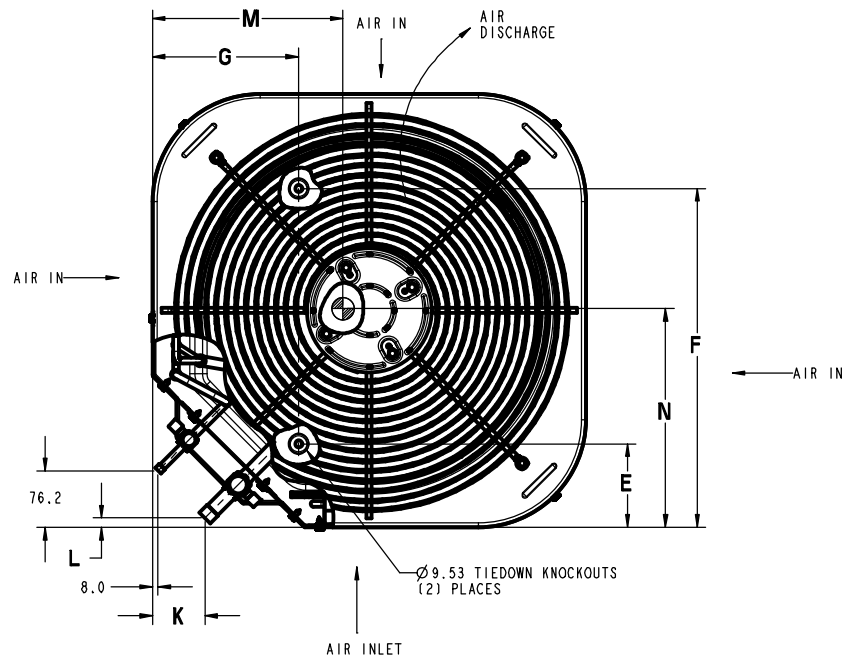
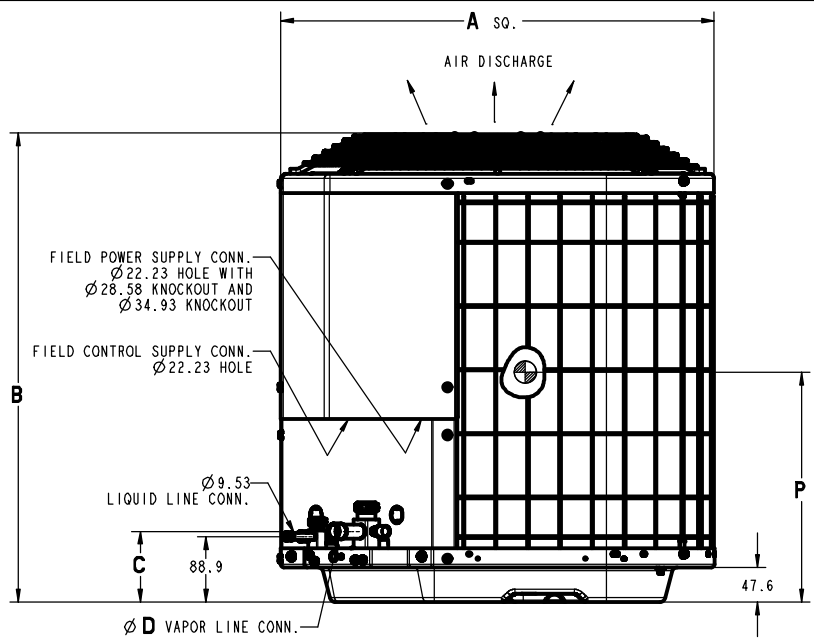


NOTES:

1. Allow 30" clearance to service side of unit, 48" above unit, 6" on side, 12' on remaining side and 24' between units for proper airflow.
2. Minimum outdoor operating ambient in cooling mode is 55° F, Max. 125° F.
3. Series designation is the 10th position of the unit model number.
4. Center of Gravity
5. All dimensions are in inches unless noted.

All Dimensions Inches (English)

Model * = A or G	All Dimensions Inches (English)											Minimum Mounting Pad Size	Crated Dimensions height x width x depth	
	A	B	C	D	E	F	G	K	L	M	N			P
R4A318*KA	23-1/8	24-13/16	3-3/4	3/4	4-7/16	18-1/16	7-13/16	2-13/16	1/2	12	11-3/4	11-7/8	23-1/2 X 23-1/2	27-3/16 X 24-1/8 x 24-1/8
R4A324*KA	23-1/8	24-13/16	3-3/4	3/4	4-7/16	18-1/16	7-13/16	2-13/16	1/2	12	11-3/4	11-7/8	23-1/2 X 23-1/2	27-3/16 X 24-1/8 x 24-1/8
R4A330*KA	23-1/8	28-7/16	3-3/4	3/4	4-7/16	18-1/16	7-13/16	2-13/16	1/2	12	11-3/4	12-1/2	23-1/2 X 23-1/2	30-5/8 X 24-1/8 x 24-1/8
R4A336*KC	23-1/8	35-3/16	3-7/8	7/8	6-9/16	18-1/16	7-13/16	2-13/16	1/2	12	11-3/4	13-3/4	23-1/2 X 23-1/2	37-7/16 X 24-1/8 x 24-1/8
R4A342*KA	31-3/16	31-13/16	3-7/8	7/8	6-9/16	24-11/16	9-1/8	2-15/16	5/8	16	15-1/2	13-3/4	31-1/2 X 31-1/2	34 X 32-3/16 x 32-3/16
R4A348*KC	31-3/16	35-3/16	3-7/8	7/8	6-9/16	24-11/16	9-1/8	2-15/16	5/8	16	15-1/2	15-1/2	31-1/2 X 31-1/2	37-7/16 X 32-3/16 x 32-3/16
R4A360*KC	31-3/16	28-7/16	3-7/8	7/8	6-9/16	24-11/16	9-1/8	2-15/16	5/8	16	15-1/2	12-3/4	31-1/2 X 31-1/2	30-5/8 X 32-3/16 x 32-3/16



NOTES:

1. Allow 762 clearance to service side of unit, 1219 above unit, 152 on side, 305 on remaining side and 610 between units for proper airflow.
2. Minimum outdoor operating ambient in cooling mode is 13° C, Max. 52° C.
3. Series designation is the 10th position of the unit model number.
4. Center of Gravity
5. All dimensions are in "mm" unless noted.

All Dimensions mm (SI Metric)

Model * = A or G	All Dimensions mm (SI Metric)												Minimum Mounting Pad Size	Crated Dimensions height x width x depth
	A	B	C	D	E	F	G	K	L	M	N	P		
R4A318*KA	587	630	95	19	113	459	198	71	13	305	298	302	597 x 597	691 x 613 x 613
R4A324*KA	587	630	95	19	113	459	198	71	13	305	298	302	597 x 597	691 x 613 x 613
R4A330*KA	587	722	95	19	113	459	198	71	13	305	298	318	597 x 597	778 x 613 x 613
R4A336*KC	587	894	98	22	167	459	198	71	13	305	298	349	597 x 597	951 x 613 x 613
R4A342*KA	792	808	98	22	167	627	232	75	16	406	394	349	800 x 800	864 x 818 x 818
R4A348*KC	792	894	98	22	167	627	232	75	16	406	394	394	800 x 800	951 x 818 x 818
R4A360*KC	792	722	98	22	167	627	232	75	16	406	394	324	800 x 800	778 x 818 x 818

PHYSICAL DATA							
Model Size	18	24	30	36	42	48	60
Nominal Cooling Capacity (BTU/hr)	18,000	24,000	30,000	36,000	42,000	48,000	60,000
Nominal SEER	13.0	13.0	13.0	13.0	13.0	13.0	13.0
PSC Fan Motor HP	1/12	1/10	1/10	1/4	1/5	1/4	1/4
Fan RPM (single speed)	1100	1100	1100	1100	1100	1100	1100
Fan CFM	1700	2000	2000	2500	3100	3400	3400
Coil Face Area ft ² (m ²)	8.40 (.78)	8.40 (.78)	9.80 (.91)	12.60 (1.17)	17.30 (1.61)	19.29 (1.79)	15.00 (1.39)
Coil Rows – fins per inch	1 – 20	1 – 25	1 – 25	1 – 25	1 – 25	1 – 25	2 – 20
Liquid Line Connection Size in. (mm)	3/8 (10)	3/8 (10)	3/8 (10)	3/8 (10)	3/8 (10)	3/8 (10)	3/8 (10)
Vapor Line Connection Size in. (mm)	3/4 (19)	3/4 (19)	3/4 (19)	7/8 (22)	7/8 (22)	7/8 (22)	7/8 (22)
Recommended Line Set Liquid Tube Diameter in. (mm)	3/8 (10)	3/8 (10)	3/8 (10)	3/8 (10)	3/8 (10)	3/8 (10)	3/8 (10)
Recommended Line Set Vapor Tube Diameter in. (mm)	3/4 (19)*	3/4 (19)	3/4 (19)*	7/8 (22)*	7/8 (22)*	1-1/8 (29)*	1-1/8 (29)*

* Recommended Vapor Tube Line size is for standard installations. These recommendations may not apply to “Long Line” installations. When the total equivalent line length exceeds 80 feet (24.4m) or there is more than 20 feet (6.1m) vertical separation between indoor and outdoor units, consult the Long Line Application Guideline document before purchasing/installing line sets.

Factory Charge R-410A lbs. (kg)	3.15 (1.43)	3.15 (1.43)	3.63 (1.65)	4.67 (2.12)	6.07 (2.75)	7.00 (3.18)	8.80 (3.99)
Required Subcooling ° F (° C)	10 (6)	10 (6)	10 (6)	10 (6)	12 (7)	15 (8)	15 (8)
Models AKA	Weight, shipping lbs. (kg)	120 (54)	123 (56)	126 (57)	142 (65)	178 (81)	210 (96)
	Weight, operating lbs. (kg)	104 (47)	107 (49)	110 (50)	128 (58)	164 (74)	195 (86)
Models GKA	Weight, shipping lbs. (kg)	124 (56)	127 (58)	130 (59)	147 (67)	186 (85)	218 (99)
	Weight, operating lbs. (kg)	108 (49)	111 (50)	114 (52)	133 (61)	172 (78)	203 (92)

ELECTRICAL DATA (208/230-1-60, voltage range 197V – 253V)							
Model Size	18	24	30	36	42	48	60
Minimum Circuit Ampacity – MCA (amps)	11.7	17.6	16.8	19.0	23.5	24.9	29.0
Maximum OverCurrent Protective device – MOCP (amps)	20	30	25	30	40	40	50
Compressor RLA (Rated Load Amps) LRA (Locked Rotor Amps)	9.0 48.0	13.5 58.3	12.8 64.0	14.1 70.0	17.9 112.0	18.8 96.0	22.1 125.0
Fan Motor FLA (Full Load Amps)	.50	.77	.77	1.4	1.1	1.4	1.4

R4A3 SOUND RATINGS

A-Weighted Sound Power Level – Without Sound Shield

Model	Standard Rating (dBA)	Typical Octave Band Spectrum (dBA without pure tone adjustment)						
		125	250	500	1000	2000	4000	8000
R4A318A(G)KA	71	49.5	59	63	66.5	62.5	58.5	54
R4A324A(G)KA	73	50.5	61	67	68	65	60	55.5
R4A330A(G)KA	72	52	61.5	65.5	66.5	64.5	59.5	54.5
R4A336A(G)KC	75	57	61.5	68.5	70	67	62.5	54
R4A342A(G)KA	75	56	64.5	69.5	71	66	64	59
R4A348A(G)KC	76	54	63	69.5	71.5	70	66	58.5
R4A360A(G)KC	79	57.5	67	72	75	72.5	68	61

Note: Tested in accordance with AHRI Standard 270-2008 (not listed in AHRI).

A-Weighted Sound Power Level – With Sound Shield

Model	Standard Rating (dBA)	Typical Octave Band Spectrum (dBA without pure tone adjustment)						
		125	250	500	1000	2000	4000	8000
R4A318A(G)KA	70	53.5	60	62	65.5	62	57.5	52.5
R4A324A(G)KA	73	53	62	67.5	68	65	60	53.5
R4A330A(G)KA	71	54	61.5	65.5	66	63.5	58.5	52
R4A336A(G)KC	74	57	61.5	67.5	70	66.5	62.5	56
R4A342A(G)KA	74	55.5	64	69	69.5	65.5	63.5	57.5
R4A348A(G)KC	76	55	63	69.5	71	68.5	65	58
R4A360A(G)KC	79	57.5	68	72.5	74.5	72.5	68	60.5

Note: Tested in accordance with AHRI Standard 270-2008 (not listed in AHRI).

R-410A COOLING CAPACITY LOSS FOR VARIOUS LINE LENGTHS & TUBE DIAMETERS

Model Size	Liquid Line in.(mm)	Acceptable Vapor Line Sizes in. (mm)	Cooling Capacity Loss (%) at Total Equivalent Line Length, feet (m) Refer to Long Line Application Guideline to calculate equivalent length										
			Standard Application			Long Line Application (Requires Accessories)							
			25' (7.6)	50' (15.2)	80' (24.4)	81' (24.7)	100' (30.5)	125' (38.1)	150' (45.7)	175' (53.3)	200' (61)	225' (68.6)	250' (76.2)
18	3/8 (10)	1/2 (13)	1	2	3	3	4	6	7	8	9	10	12
		5/8 (16)	0	0	1	1	1	1	2	2	3	3	3
		3/4 (19)	0	0	0	0	0	1	1	1	1	1	1
24		5/8 (16)	0	1	1	1	2	3	3	4	4	5	6
		3/4 (19)	0	0	0	0	0	1	1	1	1	1	2
		7/8 (22)	0	0	0	0	0	0	0	0	0	0	1
30		5/8 (16)	1	2	3	3	3	4	5	6	7	8	9
		3/4 (19)	0	0	1	1	1	1	2	2	2	3	3
		7/8 (22)	0	0	0	0	0	1	1	1	1	1	1
36		5/8 (16)	1	2	4	4	5	6	7	9	10	11	13
		3/4 (19)	0	0	1	1	1	2	2	3	3	4	4
		7/8 (22)	0	0	0	0	0	1	1	1	1	2	2
42	3/4 (19)	0	1	2	2	2	3	4	4	5	6	6	
	7/8 (22)	0	0	1	1	1	1	2	2	2	3	3	
	1-1/8 (29)	0	0	0	0	0	0	0	0	0	0	1	
48	3/4 (19)	0	1	2	2	3	4	5	5	6	7	8	
	7/8 (22)	0	0	1	1	1	2	2	2	3	3	4	
	1-1/8 (29)	0	0	0	0	0	0	0	0	1	1	1	
60	3/4 (19)	1	2	4	4	5	6	7	9	10	11	12	
	7/8 (22)	0	1	2	2	2	3	4	4	5	5	6	
	1-1/8(29)	0	0	0	0	1	1	1	1	1	1	2	

* Applications are considered “Long Line” if the total equivalent tubing length exceeds 80 feet (24.4m) or there is more than 20 foot (6.1m) vertical separation between indoor and outdoor units. These applications require additional accessories and system modifications for reliable system operation.

Applications in shaded area may have height restrictions that limit allowable total equivalent length when outdoor unit is below indoor unit.

EXPANDED COOLING PERFORMANCE RATINGS For Outdoor / Indoor Models

For complete ratings information, use the AHRI website directory search: www.AHRIdirectory.org.
New ratings may be listed online before Specification Sheets are updated.

R4A318A(G)KA Outdoor Section With ED*4X18B Indoor Section**

EVAPORATOR AIR		CONDENSER ENTERING AIR TEMPERATURES deg F														
		75			85			95			105			115		
CFM	EWB	Capacity MBtuh		Total System KW	Capacity MBtuh		Total System KW	Capacity MBtuh		Total System KW	Capacity MBtuh		Total System KW	Capacity MBtuh		Total System KW
		Total	Sens		Total	Sens		Total	Sens		Total	Sens		Total	Sens	
525	72	20.35	10.09	1.18	19.43	9.75	1.35	18.46	9.40	1.54	17.51	9.07	1.75	16.49	8.72	1.98
	67	18.72	12.43	1.19	17.86	12.08	1.37	16.95	11.72	1.55	16.04	11.37	1.77	15.07	11.00	2.00
	62	17.21	14.74	1.21	16.41	14.38	1.38	15.59	14.00	1.57	14.75	13.61	1.78	13.92	13.92	2.02
	57	16.70	16.70	1.22	16.05	16.05	1.38	15.37	15.37	1.57	14.67	14.67	1.78	13.92	13.92	2.02
600	72	20.73	10.59	1.20	19.69	10.22	1.37	18.69	9.87	1.56	17.72	9.54	1.77	16.67	9.18	2.00
	67	19.03	13.21	1.22	18.14	12.86	1.39	17.20	12.50	1.58	16.27	12.15	1.79	15.27	11.77	2.02
	62	17.59	15.82	1.23	16.78	15.44	1.40	15.95	15.95	1.59	15.23	15.23	1.80	14.44	14.44	2.04
	57	17.38	17.38	1.24	16.69	16.69	1.40	15.97	15.97	1.59	15.23	15.23	1.80	14.44	14.44	2.04
675	72	21.01	11.06	1.22	19.88	10.67	1.39	18.85	10.32	1.58	17.86	9.98	1.80	16.79	9.62	2.03
	67	19.25	13.95	1.24	18.34	13.61	1.41	17.38	13.24	1.60	16.43	12.88	1.81	15.41	12.50	2.05
	62	17.94	17.79	1.26	17.20	17.20	1.43	16.44	16.44	1.61	15.67	15.67	1.82	14.84	14.84	2.06
	57	17.92	17.92	1.26	17.20	17.20	1.43	16.44	16.44	1.61	15.67	15.67	1.82	14.84	14.84	2.06

Total sensible capacities are based on net capacities. Blower heat has been subtracted.

Sensible capacities shown are based on 80° F (27° C) entering air at the indoor coil. For sensible capacities at other than 80° F (27° C), deduct 835 Btuh (245 kW) per 1000 CFM (480 L/S) of indoor coil air for each degree below 80° F (27° C), or add 835 Btuh (245 kW) per 1000 CFM (480 L/S) of indoor coil air per degree above 80° F (27° C).

Detailed cooling and heating capacities are based on indoor and outdoor unit at the same elevation per AHRI standard 210/240 -2008. If additional tubing length is required and/or indoor unit is located above outdoor unit, a slight variation in capacity may occur.

System kw is total of indoor and outdoor unit kilowatts.

COOLING MULTIPLIERS FOR COMBINATION RATINGS: R4A318A(G)KA*

Cooling Indoor Model	Furnace Model	Capacity	Power
ED*4X18B**		1	1
FEA4X18**A*		1	0.91
FEA4X24**A*		1	0.89
FEM4P18**A*		1.02	0.93
FEM4P24**A*		1.03	0.94
FEM4P30**A*		1.03	1.02
FEM4X18****		1	0.91
FEM4X24****		1	0.91
FS(M,U)4P18**A*		1.03	1.03
FS(M,U)4P24**A*		1.02	1.01
FS(M,U)4X18****		1	1
FS(M,U)4X24****		1	1
FSA4X18**A*		1	1
FSA4X24**A*		1	1
FVM4X24****		1	0.91
FXM4X18**A*		1.03	0.94
FXM4X24**A*		1.03	0.94
FXM4X30**A*		1.03	0.94
EA*4X18*14A*	*8MV*0701412**	1.02	0.92
EA*4X24*14A*	*8MV*0701412**	1.03	0.92
ED*4X18B**	*8MV*0701412**	1.02	0.92
ED*4X24B**	*8MV*0701412**	1.03	0.92
EHD4X24A**	*8MV*0701412**	1.04	0.93
EN(A,D)4X18*14**	*8MV*0701412**	1.02	0.92
EN(A,D)4X19*17**	*8MV*0701412**	1.02	0.93
EN(A,D)4X24*14**	*8MV*0701412**	1.03	0.92
ENH4X24*17**	*8MV*0701412**	1.03	0.92
EA*4X24*17A*	*8MV*0901716**	1.03	0.92
ED*4X24F**	*8MV*0901716**	1.03	0.92
EHD4X24A**	*8MV*0901716**	1.04	0.93
EN(A,D)4X19*17**	*8MV*0901716**	1.03	0.94
EN(A,D)4X24*17**	*8MV*0901716**	1.03	0.92
ENH4X24*17**	*8MV*0901716**	1.03	0.92
ED*4X18B**	*8MX*0451408**	1.03	0.94
ED*4X24B**	*8MX*0451408**	1.05	0.93

COOLING MULTIPLIERS FOR COMBINATION RATINGS: R4A318A(G)KA* (Cont.)			
Cooling Indoor Model	Furnace Model	Capacity	Power
EHD4X24A**	*8MX*0451408**	1.05	0.93
EN(A,D)4X18*14**	*8MX*0451408**	1.03	0.94
EN(A,D)4X19*17**	*8MX*0451408**	1.05	0.95
EN(A,D)4X24*14**	*8MX*0451408**	1.05	0.93
ENH4X24*17**	*8MX*0451408**	1.03	0.92
EA*4X24*17A*	*9MA*0601714A**	1.03	0.94
EHD4X24A**	*9MA*0601714A**	1.05	0.95
EN(A,D)4X19*17**	*9MA*0601714A**	1.05	0.95
EN(A,D)4X24*17**	*9MA*0601714A**	1.04	0.95
ENH4X24*17**	*9MA*0601714A**	1.04	0.95
ED*4X24F**	*9MA*0602120A**	1.04	0.95
EHD4X24A**	*9MA*0602120A**	1.05	0.96
EA*4X24*17A*	*9MA*0801714A**	1.03	0.94
EHD4X24A**	*9MA*0801714A**	1.04	0.95
EN(A,D)4X19*17**	*9MA*0801714A**	1.04	0.91
EN(A,D)4X24*17**	*9MA*0801714A**	1.03	0.94
ENH4X24*17**	*9MA*0801714A**	1.03	0.94
EA*4X18*14A*	*9MV*0401410A**	1.02	0.96
EA*4X24*14A*	*9MV*0401410A**	1.04	0.96
EA*4X24*17A*	*9MV*0401410A**	1.05	0.97
ED*4X18B**	*9MV*0401410A**	1.02	0.96
ED*4X24B**	*9MV*0401410A**	1.04	0.96
EHD4X24A**	*9MV*0401410A**	1.05	0.97
EN(A,D)4X18*14**	*9MV*0401410A**	1.02	0.95
EN(A,D)4X19*17**	*9MV*0401410A**	1.05	0.96
EN(A,D)4X24*14**	*9MV*0401410A**	1.04	0.96
EN(A,D)4X24*17**	*9MV*0401410A**	1.04	0.96
ENH4X24*17**	*9MV*0401410A**	1.04	0.96
EA*4X24*17A*	*9MV*0601714A**	1.06	0.93
ED*4X24F**	*9MV*0601714A**	1.06	0.93
EHD4X24A**	*9MV*0601714A**	1.05	0.95
EN(A,D)4X19*17**	*9MV*0601714A**	1.07	0.93
EN(A,D)4X24*17**	*9MV*0601714A**	1.05	0.95
ENH4X24*17**	*9MV*0601714A**	1.05	0.95
EA*4X24*17A*	*9MV*0801716A**	1.06	0.93
ED*4X24F**	*9MV*0801716A**	1.06	0.93
EHD4X24A**	*9MV*0801716A**	1.05	0.93
EN(A,D)4X19*17**	*9MV*0801716A**	1.08	0.94
EN(A,D)4X24*17**	*9MV*0801716A**	1.05	0.93
ENH4X24*17**	*9MV*0801716A**	1.05	0.93
ED*4X24F**	*9MV*0802120A**	1.08	0.97
EHD4X24A**	*9MV*0802120A**	1.06	0.95
ED*4X24F**	*9MV*1002120A**	1.09	0.95
EHD4X24A**	*9MV*1202422A**	1.07	0.94
ENH4X24*17**	*9MV*1202422A**	1.06	0.93
EA*4X18*14A*	*9MX*0401410A**	1.01	0.94
EA*4X24*14A*	*9MX*0401410A**	1.03	0.94
EA*4X24*17A*	*9MX*0401410A**	1.03	0.94
EHD4X24A**	*9MX*0401410A**	1.03	0.94
EN(A,D)4X18*14**	*9MX*0401410A**	1.02	0.94
EN(A,D)4X19*17**	*9MX*0401410A**	1.04	0.95
EN(A,D)4X24*14**	*9MX*0401410A**	1.03	0.95
EN(A,D)4X24*17**	*9MX*0401410A**	1.03	0.95
ENH4X24*17**	*9MX*0401410A**	1.03	0.95
EA*4X18*14A*	MV08**14C*	1.02	0.93
EA*4X24*14A*	MV08**14C*	1.05	0.93
EA*4X24*17A*	MV08**14C*	1.05	0.93
EA*4X30*14A*	MV08**14C*	1.05	0.94
EA*4X30*17A*	MV08**14C*	1.05	0.94
EHD4X24A**	MV08**14C*	1.05	0.94
EHD4X30A**	MV08**14C*	1.06	0.95
EN(A,D)4X18*14**	MV08**14C*	1.04	0.95
EN(A,D)4X19*17**	MV08**14C*	1.05	0.94
EN(A,D)4X24*14**	MV08**14C*	1.05	0.93

COOLING MULTIPLIERS FOR COMBINATION RATINGS: R4A318A(G)KA* (Cont.)			
Cooling Indoor Model	Furnace Model	Capacity	Power
EN(A,D)4X24*17**	MV08**14C*	1.05	0.93
EN(A,D)4X30*14**	MV08**14C*	1.05	0.94
EN(A,D)4X30*17**	MV08**14C*	1.05	0.94
EN(A,D)4X31*17**	MV08**14C*	1.07	0.93
ENH4X24*17**	MV08**14C*	1.05	0.93
ENH4X30*17**	MV08**14C*	1.05	0.94
ENH4X31*17**	MV08**14C*	1.07	0.93
EN(A,D)4X19*17**	NOMV106D12*	1.05	0.95
ED*4X18B**	*8MPV050	1	0.91
ED*4X24B**	*8MPV050	1	0.91
EHD4X24A**	*8MPV050	1	0.91
EN(A,D)4X19*17**	*8MPV050	1.05	0.95
ED*4X24F**	*9MPV050	1	0.91
EHD4X24A**	*9MPV050	1	0.91
ED*4X24F**	*9MPV075	1	0.91
EHD4X24A**	*9MPV075	1	0.91
ED*4X24F**	*9MV*1002116A**	1.07	0.93
EHD4X24A**	*9MV*1002116A**	1.06	0.94
ENH4X24*17**	*9MV*1002116A**	1.06	0.94
ED*4X24F**	*9MVX040	1.08	0.98
EHD4X24A**	*9MVX040	1.08	1.01
ED*4X24F**	*9MVX060	1.08	0.98
EHD4X24A**	*9MVX060	1.08	0.98
ED*4X18B**	MV08B15**B*	1	0.91
ED*4X24B**	MV08B15**B*	1	0.91
EHD4X24A**	MV08B15**B*	1	0.91
EN(A,D)4X19*17**	MV08B15**B*	1.05	0.95
EA*4X18*14A*		1.02	1.02
EA*4X24*14A*		1.04	1.03
EA*4X24*17A*		1.04	1.03
ED*4X24B**		1	1
ED*4X24F**		1	1
EHD4X24A**		1	1
EMA4X24D**		1	1
EN(A,D)4X18*14**		1.02	1.01
EN(A,D)4X19*17**		1.05	1.04
EN(A,D)4X24*14**		1.04	1.03
EN(A,D)4X24*17**		1.04	1.03
ENH4X24*17**		1.04	1.03

EXPANDED COOLING PERFORMANCE RATINGS For Outdoor / Indoor Models

For complete ratings information, use the AHRI website directory search: www.AHRIdirectory.org.
New ratings may be listed online before Specification Sheets are updated.

R4A324A(G)KA Outdoor Section With ED*4X24B Indoor Section**

EVAPORATOR AIR		CONDENSER ENTERING AIR TEMPERATURES deg F														
		75			85			95			105			115		
		CFM	EWB	Capacity MBtuh		Total System KW	Capacity MBtuh		Total System KW	Capacity MBtuh		Total System KW	Capacity MBtuh		Total System KW	Capacity MBtuh
Total	Sens			Total	Sens		Total	Sens		Total	Sens		Total	Sens		
700	72	27.06	13.28	1.64	25.82	12.84	1.84	24.64	12.43	2.06	23.44	12.02	2.30	22.11	11.56	2.57
	67	24.87	16.41	1.64	23.82	16.00	1.84	22.70	15.57	2.05	21.55	15.13	2.30	20.29	14.66	2.57
	62	22.98	19.55	1.63	22.00	19.12	1.83	20.97	18.66	2.05	19.91	18.18	2.30	18.87	18.87	2.57
	57	22.41	22.41	1.63	21.61	21.61	1.83	20.75	20.75	2.05	19.85	19.85	2.30	18.87	18.87	2.57
800	72	27.49	13.93	1.68	26.14	13.46	1.88	24.93	13.05	2.10	23.69	12.64	2.34	22.33	12.18	2.60
	67	25.24	17.44	1.68	24.15	17.03	1.87	23.00	16.60	2.09	21.83	16.16	2.33	20.54	15.69	2.60
	62	23.44	20.97	1.67	22.46	20.51	1.87	21.49	21.49	2.09	20.55	20.55	2.33	19.52	19.52	2.60
	57	23.25	23.25	1.67	22.40	22.40	1.87	21.49	21.49	2.09	20.55	20.55	2.33	19.52	19.52	2.60
900	72	27.76	14.53	1.72	26.38	14.07	1.91	25.12	13.65	2.13	23.86	13.23	2.38	22.46	12.77	2.64
	67	25.50	18.44	1.71	24.39	18.03	1.91	23.21	17.59	2.13	22.02	17.15	2.37	20.70	16.66	2.64
	62	23.92	23.92	1.71	23.03	23.03	1.91	22.08	22.08	2.13	21.10	21.10	2.37	20.02	20.02	2.64
	57	23.92	23.92	1.71	23.04	23.04	1.91	22.08	22.08	2.13	21.10	21.10	2.37	20.02	20.02	2.64

Total sensible capacities are based on net capacities. Blower heat has been subtracted.

Sensible capacities shown are based on 80° F (27° C) entering air at the indoor coil. For sensible capacities at other than 80° F (27° C), deduct 835 Btuh (245 kW) per 1000 CFM (480 L/S) of indoor coil air for each degree below 80° F (27° C), or add 835 Btuh (245 kW) per 1000 CFM (480 L/S) of indoor coil air per degree above 80° F (27° C).

Detailed cooling and heating capacities are based on indoor and outdoor unit at the same elevation per AHRI standard 210/240 -2008. If additional tubing length is required and/or indoor unit is located above outdoor unit, a slight variation in capacity may occur.

System kw is total of indoor and outdoor unit kilowatts.

COOLING MULTIPLIERS FOR COMBINATION RATINGS: R4A324A(G)KA*

Cooling Indoor Model	Furnace Model	Capacity	Power
ED*4X42J**		1	1
FEM4P42**A*		1.03	1.03
FEM4P48**A*		1.03	1.03
FEM4X42****		0.99	0.94
FEM4X48****		1	0.96
FS(M,U)4P42**A*		1.03	1.03
FS(M,U)4P48**A*		1.03	1.03
FS(M,U)4X42****		0.99	0.99
FS(M,U)4X48****		0.99	0.99
FVM4X36****		1	0.96
FVM4X48****		0.99	0.91
FVM4X60****		1	0.92
FXM4X42**A*		1.04	0.99
FXM4X48**A*		1.05	0.96
FXM4X60**A*		1.06	0.97
EA*4X48*17A*	*8MV*0701412**	1.03	1
EHD4X42A**	*8MV*0701412**	1.03	1.03
EHD4X48A**	*8MV*0701412**	1.03	1.03
END4X42*17**	*8MV*0701412**	1.01	1.01
ENH4X42*21**	*8MV*0701412**	1	1
ENH4X43*21**	*8MV*0701412**	1.03	0.98
ENH4X48*21**	*8MV*0701412**	1.03	1.03
EA*4X42*21A*	*8MV*0901716**	1	0.97
EA*4X48*17A*	*8MV*0901716**	1.03	0.98
EA*4X48*21A*	*8MV*0901716**	1.01	0.97
EHD4X42A**	*8MV*0901716**	1.03	0.98
EHD4X48A**	*8MV*0901716**	1.03	0.98
EN(A,D,W)4X42*21**	*8MV*0901716**	1.01	1.01
EN(A,D,W)4X48*21**	*8MV*0901716**	1.03	0.98
END4X42*17**	*8MV*0901716**	1.03	0.98
ENH4X42*21**	*8MV*0901716**	1.01	1.01
ENH4X43*21**	*8MV*0901716**	1.03	0.94
ENH4X48*21**	*8MV*0901716**	1.03	0.98
EA*4X42*21A*	*8MV*1102120**	1	0.96
EA*4X42*24A*	*8MV*1102120**	1	0.96

COOLING MULTIPLIERS FOR COMBINATION RATINGS: R4A324A(G)KA* (Cont.)			
Cooling Indoor Model	Furnace Model	Capacity	Power
EA*4X48*21A*	*8MV*1102120**	1.01	0.97
EA*4X48*24A*	*8MV*1102120**	1.03	0.98
EHD4X42A**	*8MV*1102120**	1.03	0.98
EHD4X48A**	*8MV*1102120**	1.03	0.98
EN(A,D)4X43*24**	*8MV*1102120**	1.03	0.94
EN(A,D)4X48*24**	*8MV*1102120**	1.03	0.98
EN(A,D,W)4X42*21**	*8MV*1102120**	1.01	1.01
EN(A,D,W)4X48*21**	*8MV*1102120**	1.03	0.98
ENH4X42*21**	*8MV*1102120**	1.01	1.01
ENH4X43*21**	*8MV*1102120**	1.03	0.94
ENH4X48*21**	*8MV*1102120**	1.03	0.98
EA*4X42*24A*	*8MV*1352422**	1	0.96
EA*4X48*24A*	*8MV*1352422**	1.03	0.96
EHD4X42A**	*8MV*1352422**	1.03	0.94
EHD4X48A**	*8MV*1352422**	1.03	0.94
EN(A,D)4X43*24**	*8MV*1352422**	1.03	0.94
EN(A,D)4X48*24**	*8MV*1352422**	1.03	0.94
ENH4X42*21**	*8MV*1352422**	1.01	0.97
ENH4X43*21**	*8MV*1352422**	1.03	0.94
ENH4X48*21**	*8MV*1352422**	1.03	0.94
EA*4X42*21A*	*8MX*0701716**	1	1
EA*4X48*17A*	*8MX*0701716**	1.03	1.01
EA*4X48*21A*	*8MX*0701716**	1.01	1.01
EHD4X42A**	*8MX*0701716**	1.03	1.03
EHD4X48A**	*8MX*0701716**	1.03	1.03
EN(A,D,W)4X42*21**	*8MX*0701716**	1	1
EN(A,D,W)4X48*21**	*8MX*0701716**	1.03	1.03
END4X42*17**	*8MX*0701716**	1.03	1.03
ENH4X42*21**	*8MX*0701716**	1	1
ENH4X43*21**	*8MX*0701716**	1.03	1.03
ENH4X48*21**	*8MX*0701716**	1.03	1.03
EA*4X42*21A*	*8MX*0902116**	1	0.96
EA*4X42*24A*	*8MX*0902116**	1	0.96
EA*4X48*21A*	*8MX*0902116**	1.03	0.98
EA*4X48*24A*	*8MX*0902116**	1.03	0.98
EHD4X42A**	*8MX*0902116**	1.03	0.98
EHD4X48A**	*8MX*0902116**	1.03	0.95
EN(A,D)4X43*24**	*8MX*0902116**	1.03	0.94
EN(A,D)4X48*24**	*8MX*0902116**	1.03	0.98
EN(A,D,W)4X42*21**	*8MX*0902116**	1.01	0.97
EN(A,D,W)4X48*21**	*8MX*0902116**	1.03	0.98
ENH4X42*21**	*8MX*0902116**	1.01	0.97
ENH4X43*21**	*8MX*0902116**	1.03	0.94
ENH4X48*21**	*8MX*0902116**	1.03	0.98
EA*4X42*21A*	*8MX*1102120**	1.01	0.97
EA*4X42*24A*	*8MX*1102120**	1.01	0.97
EA*4X48*21A*	*8MX*1102120**	1.03	0.96
EA*4X48*24A*	*8MX*1102120**	1.03	0.96
EHD4X42A**	*8MX*1102120**	1.03	0.94
EHD4X48A**	*8MX*1102120**	1.03	0.94
EN(A,D)4X43*24**	*8MX*1102120**	1.03	0.94
EN(A,D)4X48*24**	*8MX*1102120**	1.03	0.94
EN(A,D,W)4X42*21**	*8MX*1102120**	1.01	0.97
EN(A,D,W)4X48*21**	*8MX*1102120**	1.03	0.94
ENH4X42*21**	*8MX*1102120**	1.01	0.97
ENH4X43*21**	*8MX*1102120**	1.03	0.94
ENH4X48*21**	*8MX*1102120**	1.03	0.94
EA*4X42*24A*	*8MX*1352420**	1.01	0.97
EA*4X48*24A*	*8MX*1352420**	1.03	0.96
EHD4X42A**	*8MX*1352420**	1.03	0.98
EHD4X48A**	*8MX*1352420**	1.03	0.95
EN(A,D)4X43*24**	*8MX*1352420**	1.03	0.94
EN(A,D)4X48*24**	*8MX*1352420**	1.03	0.95
ENH4X42*21**	*8MX*1352420**	1.01	0.97
ENH4X43*21**	*8MX*1352420**	1.03	0.94
ENH4X48*21**	*8MX*1352420**	1.03	0.95

COOLING MULTIPLIERS FOR COMBINATION RATINGS: R4A324A(G)KA* (Cont.)			
Cooling Indoor Model	Furnace Model	Capacity	Power
EA*4X42*21A*	*9MA*0601714A**	0.99	0.99
EA*4X48*17A*	*9MA*0601714A**	1.01	0.99
EA*4X48*21A*	*9MA*0601714A**	1	1
ED*4X42F**	*9MA*0601714A**	0.99	0.99
ED*4X48F**	*9MA*0601714A**	1.01	0.99
EHD4X42A**	*9MA*0601714A**	1.01	0.99
EHD4X48A**	*9MA*0601714A**	1.01	0.99
EN(A,D,W)4X42*21**	*9MA*0601714A**	0.99	0.99
EN(A,D,W)4X48*21**	*9MA*0601714A**	1	0.98
END4X42*17**	*9MA*0601714A**	1	1
ENH4X42*21**	*9MA*0601714A**	0.99	0.99
ENH4X43*21**	*9MA*0601714A**	1.03	1.01
ENH4X48*21**	*9MA*0601714A**	1	0.98
EA*4X42*21A*	*9MA*0602120A**	0.99	0.97
EA*4X42*24A*	*9MA*0602120A**	0.99	0.96
EA*4X48*21A*	*9MA*0602120A**	1	0.97
EA*4X48*24A*	*9MA*0602120A**	1.01	0.99
ED*4X42F**	*9MA*0602120A**	0.99	0.97
ED*4X42J**	*9MA*0602120A**	0.99	0.97
ED*4X42L**	*9MA*0602120A**	0.99	0.96
ED*4X48F**	*9MA*0602120A**	1.01	0.99
ED*4X48J**	*9MA*0602120A**	1	0.97
ED*4X48L**	*9MA*0602120A**	1.01	0.99
EHD4X42A**	*9MA*0602120A**	1.01	0.99
EHD4X48A**	*9MA*0602120A**	1.01	0.99
EN(A,D)4X43*24**	*9MA*0602120A**	1.03	0.98
EN(A,D)4X48*24**	*9MA*0602120A**	1.01	0.99
EN(A,D,W)4X42*21**	*9MA*0602120A**	0.99	0.97
EN(A,D,W)4X48*21**	*9MA*0602120A**	1.01	0.99
ENH4X42*21**	*9MA*0602120A**	0.99	0.97
ENH4X43*21**	*9MA*0602120A**	1.03	0.98
ENH4X48*21**	*9MA*0602120A**	1.01	0.99
EA*4X42*21A*	*9MA*0801714A**	0.99	0.97
EA*4X48*17A*	*9MA*0801714A**	1.01	0.98
EA*4X48*21A*	*9MA*0801714A**	1	0.98
ED*4X42F**	*9MA*0801714A**	0.99	0.99
ED*4X48F**	*9MA*0801714A**	1.01	0.98
EHD4X42A**	*9MA*0801714A**	1.01	0.98
EHD4X48A**	*9MA*0801714A**	1.01	0.98
EN(A,D,W)4X42*21**	*9MA*0801714A**	0.99	0.99
EN(A,D,W)4X48*21**	*9MA*0801714A**	1.01	0.98
END4X42*17**	*9MA*0801714A**	1	0.98
ENH4X42*21**	*9MA*0801714A**	0.99	0.99
ENH4X43*21**	*9MA*0801714A**	1.03	0.99
ENH4X48*21**	*9MA*0801714A**	1.01	0.98
EA*4X42*21A*	*9MA*0802120A**	0.99	0.96
EA*4X42*24A*	*9MA*0802120A**	1	0.96
EA*4X48*21A*	*9MA*0802120A**	1.01	0.97
EA*4X48*24A*	*9MA*0802120A**	1.01	0.97
ED*4X42F**	*9MA*0802120A**	0.99	0.96
ED*4X42J**	*9MA*0802120A**	0.99	0.96
ED*4X42L**	*9MA*0802120A**	1	0.96
ED*4X48F**	*9MA*0802120A**	1.01	0.97
ED*4X48J**	*9MA*0802120A**	1.01	0.97
ED*4X48L**	*9MA*0802120A**	1.01	0.97
EHD4X42A**	*9MA*0802120A**	1.01	0.97
EHD4X48A**	*9MA*0802120A**	1.03	0.98
EN(A,D)4X43*24**	*9MA*0802120A**	1.03	0.96
EN(A,D)4X48*24**	*9MA*0802120A**	1.01	0.97
EN(A,D,W)4X42*21**	*9MA*0802120A**	1	0.97
EN(A,D,W)4X48*21**	*9MA*0802120A**	1.01	0.97
ENH4X42*21**	*9MA*0802120A**	1	0.97
ENH4X43*21**	*9MA*0802120A**	1.03	0.96
ENH4X48*21**	*9MA*0802120A**	1.01	0.97
EA*4X42*21A*	*9MA*1002122A**	1	0.96
EA*4X42*24A*	*9MA*1002122A**	1	0.96

COOLING MULTIPLIERS FOR COMBINATION RATINGS: R4A324A(G)KA* (Cont.)			
Cooling Indoor Model	Furnace Model	Capacity	Power
EA*4X48*21A*	*9MA*1002122A**	1.03	0.98
EA*4X48*24A*	*9MA*1002122A**	1.03	0.96
ED*4X42F**	*9MA*1002122A**	1	0.97
ED*4X42J**	*9MA*1002122A**	1	0.96
ED*4X42L**	*9MA*1002122A**	1	0.96
ED*4X48F**	*9MA*1002122A**	1.03	0.96
ED*4X48J**	*9MA*1002122A**	1.03	0.98
ED*4X48L**	*9MA*1002122A**	1.03	0.96
EHD4X42A**	*9MA*1002122A**	1.03	0.96
EHD4X48A**	*9MA*1002122A**	1.03	0.96
EN(A,D)4X43*24**	*9MA*1002122A**	1.04	0.98
EN(A,D)4X48*24**	*9MA*1002122A**	1.03	0.96
EN(A,D,W)4X42*21**	*9MA*1002122A**	1	0.97
EN(A,D,W)4X48*21**	*9MA*1002122A**	1.03	0.96
ENH4X42*21**	*9MA*1002122A**	1	0.97
ENH4X43*21**	*9MA*1002122A**	1.04	0.98
ENH4X48*21**	*9MA*1002122A**	1.03	0.96
EA*4X42*24A*	*9MA*1202422A**	1	0.96
EA*4X48*24A*	*9MA*1202422A**	1.01	0.97
ED*4X42J**	*9MA*1202422A**	1	0.96
ED*4X42L**	*9MA*1202422A**	1	0.96
ED*4X48J**	*9MA*1202422A**	1.01	0.97
ED*4X48L**	*9MA*1202422A**	1.01	0.97
EHD4X42A**	*9MA*1202422A**	1.01	0.97
EHD4X48A**	*9MA*1202422A**	1.03	0.98
EN(A,D)4X43*24**	*9MA*1202422A**	1.03	0.96
EN(A,D)4X48*24**	*9MA*1202422A**	1.01	0.97
ENH4X42*21**	*9MA*1202422A**	1	0.96
ENH4X43*21**	*9MA*1202422A**	1.03	0.96
ENH4X48*21**	*9MA*1202422A**	1.01	0.97
EA*4X42*21A*	*9MV*0802120A**	1	0.97
EA*4X42*24A*	*9MV*0802120A**	1	0.97
EA*4X48*21A*	*9MV*0802120A**	1.01	0.97
EA*4X48*24A*	*9MV*0802120A**	1.03	0.98
ED*4X42F**	*9MV*0802120A**	1	0.97
ED*4X42J**	*9MV*0802120A**	1	0.97
ED*4X42L**	*9MV*0802120A**	1	0.97
ED*4X48F**	*9MV*0802120A**	1.03	0.98
ED*4X48J**	*9MV*0802120A**	1.01	0.97
ED*4X48L**	*9MV*0802120A**	1.03	0.98
EHD4X42A**	*9MV*0802120A**	1.03	0.98
EHD4X48A**	*9MV*0802120A**	1.03	0.98
EN(A,D)4X43*24**	*9MV*0802120A**	1.04	0.98
EN(A,D)4X48*24**	*9MV*0802120A**	1.03	0.98
EN(A,D,W)4X42*21**	*9MV*0802120A**	1	0.97
EN(A,D,W)4X48*21**	*9MV*0802120A**	1.03	0.98
ENH4X42*21**	*9MV*0802120A**	1	0.97
ENH4X43*21**	*9MV*0802120A**	1.04	0.98
ENH4X48*21**	*9MV*0802120A**	1.03	0.98
EA*4X42*21A*	*9MV*1002120A**	1	0.96
EA*4X42*24A*	*9MV*1002120A**	1	0.96
EA*4X48*21A*	*9MV*1002120A**	1.01	0.97
EA*4X48*24A*	*9MV*1002120A**	1.03	0.96
ED*4X42F**	*9MV*1002120A**	1	0.97
ED*4X42J**	*9MV*1002120A**	1	0.96
ED*4X42L**	*9MV*1002120A**	1	0.96
ED*4X48F**	*9MV*1002120A**	1.03	0.96
ED*4X48J**	*9MV*1002120A**	1.01	0.97
ED*4X48L**	*9MV*1002120A**	1.03	0.96
EHD4X42A**	*9MV*1002120A**	1.03	0.96
EHD4X48A**	*9MV*1002120A**	1.03	0.96
EN(A,D)4X43*24**	*9MV*1002120A**	1.04	0.98
EN(A,D)4X48*24**	*9MV*1002120A**	1.03	0.96
EN(A,D,W)4X42*21**	*9MV*1002120A**	1	0.97
EN(A,D,W)4X48*21**	*9MV*1002120A**	1.03	0.96
ENH4X42*21**	*9MV*1002120A**	1	0.97

COOLING MULTIPLIERS FOR COMBINATION RATINGS: R4A324A(G)KA* (Cont.)			
Cooling Indoor Model	Furnace Model	Capacity	Power
ENH4X43*21**	*9MV*1002120A**	1.04	0.98
ENH4X48*21**	*9MV*1002120A**	1.03	0.96
EA*4X42*21A*	*9MX*0601714A**	1	1
EA*4X48*17A*	*9MX*0601714A**	1.03	1.01
EA*4X48*21A*	*9MX*0601714A**	1.01	1.01
ED*4X42F**	*9MX*0601714A**	1	1
ED*4X48F**	*9MX*0601714A**	1.03	1.01
EHD4X42A**	*9MX*0601714A**	1.03	1.01
EHD4X48A**	*9MX*0601714A**	1.03	1.01
EN(A,D,W)4X42*21**	*9MX*0601714A**	1	1
EN(A,D,W)4X48*21**	*9MX*0601714A**	1.01	0.99
END4X42*17**	*9MX*0601714A**	1	1
ENH4X42*21**	*9MX*0601714A**	1	1
ENH4X43*21**	*9MX*0601714A**	1.03	1.01
ENH4X48*21**	*9MX*0601714A**	1.01	0.99
EA*4X42*21A*	*9MX*0801716A**	1	1
EA*4X48*17A*	*9MX*0801716A**	1.03	1.01
EA*4X48*21A*	*9MX*0801716A**	1.01	1.01
ED*4X42F**	*9MX*0801716A**	1	1
ED*4X48F**	*9MX*0801716A**	1.03	1.01
EHD4X42A**	*9MX*0801716A**	1.03	1.01
EHD4X48A**	*9MX*0801716A**	1.03	1.01
EN(A,D,W)4X42*21**	*9MX*0801716A**	1	1
EN(A,D,W)4X48*21**	*9MX*0801716A**	1.03	1.01
END4X42*17**	*9MX*0801716A**	1.01	1.01
ENH4X42*21**	*9MX*0801716A**	1	1
ENH4X43*21**	*9MX*0801716A**	1.04	1.02
ENH4X48*21**	*9MX*0801716A**	1.03	1.01
EA*4X42*21A*	*9MX*0802120A**	1.01	0.99
EA*4X42*24A*	*9MX*0802120A**	1.01	0.99
EA*4X48*21A*	*9MX*0802120A**	1.03	0.98
EA*4X48*24A*	*9MX*0802120A**	1.03	0.98
ED*4X42F**	*9MX*0802120A**	1	0.97
ED*4X42J**	*9MX*0802120A**	1.01	0.99
ED*4X42L**	*9MX*0802120A**	1.01	0.99
ED*4X48F**	*9MX*0802120A**	1.03	0.98
ED*4X48J**	*9MX*0802120A**	1.03	0.98
ED*4X48L**	*9MX*0802120A**	1.03	0.98
EHD4X42A**	*9MX*0802120A**	1.03	0.98
EHD4X48A**	*9MX*0802120A**	1.04	0.99
EN(A,D)4X43*24**	*9MX*0802120A**	1.05	0.99
EN(A,D)4X48*24**	*9MX*0802120A**	1.03	0.98
EN(A,D,W)4X42*21**	*9MX*0802120A**	1	0.97
EN(A,D,W)4X48*21**	*9MX*0802120A**	1.03	0.98
ENH4X42*21**	*9MX*0802120A**	1	0.97
ENH4X43*21**	*9MX*0802120A**	1.04	0.98
ENH4X48*21**	*9MX*0802120A**	1.03	0.98
EA*4X42*21A*	*9MX*1002120A**	1	0.96
EA*4X42*24A*	*9MX*1002120A**	1	0.96
EA*4X48*21A*	*9MX*1002120A**	1.01	0.97
EA*4X48*24A*	*9MX*1002120A**	1.03	0.98
ED*4X42F**	*9MX*1002120A**	1	0.97
ED*4X42J**	*9MX*1002120A**	1	0.96
ED*4X42L**	*9MX*1002120A**	1	0.96
ED*4X48F**	*9MX*1002120A**	1.03	0.98
ED*4X48J**	*9MX*1002120A**	1.01	0.97
ED*4X48L**	*9MX*1002120A**	1.03	0.98
EHD4X42A**	*9MX*1002120A**	1.03	0.98
EHD4X48A**	*9MX*1002120A**	1.03	0.96
EN(A,D)4X43*24**	*9MX*1002120A**	1.04	0.98
EN(A,D)4X48*24**	*9MX*1002120A**	1.03	0.96
EN(A,D,W)4X42*21**	*9MX*1002120A**	1	0.97
EN(A,D,W)4X48*21**	*9MX*1002120A**	1.03	0.96
ENH4X42*21**	*9MX*1002120A**	1	0.97
ENH4X43*21**	*9MX*1002120A**	1.04	0.98
ENH4X48*21**	*9MX*1002120A**	1.03	0.96

COOLING MULTIPLIERS FOR COMBINATION RATINGS: R4A324A(G)KA* (Cont.)			
Cooling Indoor Model	Furnace Model	Capacity	Power
EA*4X42*24A*	*9MX*1202422A**	1.01	0.98
EA*4X48*24A*	*9MX*1202422A**	1.03	0.98
ED*4X42J**	*9MX*1202422A**	1.01	0.98
ED*4X42L**	*9MX*1202422A**	1.01	0.98
ED*4X48J**	*9MX*1202422A**	1.03	0.99
ED*4X48L**	*9MX*1202422A**	1.03	0.98
EHD4X42A**	*9MX*1202422A**	1.04	0.99
EHD4X48A**	*9MX*1202422A**	1.04	0.99
EN(A,D)4X43*24**	*9MX*1202422A**	1.05	0.98
EN(A,D)4X48*24**	*9MX*1202422A**	1.04	0.99
ENH4X42*21**	*9MX*1202422A**	1.01	0.98
ENH4X43*21**	*9MX*1202422A**	1.05	1
ENH4X48*21**	*9MX*1202422A**	1.04	0.99
EA*4X42*21A*	MV12**17C*	1	0.96
EA*4X48*17A*	MV12**17C*	1.04	0.99
EA*4X48*21A*	MV12**17C*	1.03	0.98
EA*4X60*21A*	MV12**17C*	1.04	0.98
EHD4X42A**	MV12**17C*	1.03	0.98
EHD4X48A**	MV12**17C*	1.04	0.98
EHD4X60A**	MV12**17C*	1.05	0.99
EN(A,D,W)4X42*21**	MV12**17C*	1.01	0.99
EN(A,D,W)4X48*21**	MV12**17C*	1.03	0.96
END4X42*17**	MV12**17C*	1.01	0.97
ENH4X42*21**	MV12**17C*	1.01	0.99
ENH4X43*21**	MV12**17C*	1.04	0.98
ENH4X48*21**	MV12**17C*	1.03	0.96
EA*4X42*21A*	MV16**21C*	1.01	0.97
EA*4X42*24A*	MV16**21C*	1.01	0.97
EA*4X48*21A*	MV16**21C*	1.03	0.96
EA*4X48*24A*	MV16**21C*	1.03	0.96
EA*4X60*21A*	MV16**21C*	1.05	0.99
EA*4X60*24A*	MV16**21C*	1.05	0.99
EHD4X42A**	MV16**21C*	1.04	0.98
EHD4X48A**	MV16**21C*	1.04	0.98
EHD4X60A**	MV16**21C*	1.05	0.96
EN(A,D)4X43*24**	MV16**21C*	1.05	0.96
EN(A,D)4X48*24**	MV16**21C*	1.03	0.96
EN(A,D)4X61*24**	MV16**21C*	1.06	0.97
EN(A,D,W)4X42*21**	MV16**21C*	1.01	0.97
EN(A,D,W)4X48*21**	MV16**21C*	1.03	0.96
EN(A,D,W)4X60*24**	MV16**21C*	1.05	0.96
ENH4X42*21**	MV16**21C*	1.01	0.97
ENH4X43*21**	MV16**21C*	1.04	0.98
ENH4X48*21**	MV16**21C*	1.03	0.96
ENH4X60*24**	MV16**21C*	1.05	0.96
ENH4X61*24**	MV16**21C*	1.05	0.96
EA*4X42*24A*	MV20**24C*	1	0.96
EA*4X48*24A*	MV20**24C*	1.03	0.96
EA*4X60*24A*	MV20**24C*	1.04	0.95
EHD4X42A**	MV20**24C*	1.03	0.96
EHD4X48A**	MV20**24C*	1.04	0.98
EHD4X60A**	MV20**24C*	1.05	0.96
EN(A,D)4X43*24**	MV20**24C*	1.04	0.95
EN(A,D)4X48*24**	MV20**24C*	1.03	0.96
EN(A,D)4X61*24**	MV20**24C*	1.05	0.96
EN(A,D,W)4X60*24**	MV20**24C*	1.04	0.95
ENH4X60*24**	MV20**24C*	1.04	0.95
ENH4X61*24**	MV20**24C*	1.05	0.96
EHD4X42A**	NOMV156E19*	1.03	0.98
EHD4X48A**	NOMV156E19*	1.03	0.98
EN(A,D)4X43*24**	NOMV156E19*	1.03	0.94
EN(A,D)4X48*24**	NOMV156E19*	1.03	0.98
EN(A,D,W)4X42*21**	NOMV156E19*	1	1
EN(A,D,W)4X48*21**	NOMV156E19*	1.03	0.98
ENH4X42*21**	NOMV156E19*	1	1
ENH4X43*21**	NOMV156E19*	1.03	0.94

COOLING MULTIPLIERS FOR COMBINATION RATINGS: R4A324A(G)KA* (Cont.)			
Cooling Indoor Model	Furnace Model	Capacity	Power
ENH4X48*21**	NOMV156E19*	1.03	0.98
ED*4X42F**	*8MPV075	1	1
ED*4X42F**	*8MPV075	1	1
ED*4X48F**	*8MPV075	0.98	0.93
EHD4X42A**	*8MPV075	0.98	0.93
EHD4X48A**	*8MPV075	0.98	0.93
EHD4X48A**	*8MPV075	0.98	0.93
EN(A,D,W)4X42*21**	*8MPV075	1.01	1.01
EN(A,D,W)4X48*21**	*8MPV075	1.03	1.03
ENH4X42*21**	*8MPV075	1.01	1.01
ENH4X43*21**	*8MPV075	1.03	0.98
ENH4X48*21**	*8MPV075	1.03	1.03
ED*4X42J**	*8MPV100	0.98	0.93
ED*4X48J**	*8MPV100	0.99	0.94
EHD4X42A**	*8MPV100	0.98	0.89
EHD4X48A**	*8MPV100	0.98	0.93
EN(A,D)4X43*24**	*8MPV100	1.03	0.94
EN(A,D)4X48*24**	*8MPV100	1.03	0.98
ENH4X42*21**	*8MPV100	1.03	1.03
ENH4X43*21**	*8MPV100	1.03	0.94
ENH4X48*21**	*8MPV100	1.03	0.98
ED*4X42J**	*8MPV125	0.98	0.93
ED*4X48J**	*8MPV125	0.99	0.94
EHD4X42A**	*8MPV125	0.98	0.89
EHD4X48A**	*8MPV125	0.98	0.89
EN(A,D)4X43*24**	*8MPV125	1.03	0.94
EN(A,D)4X48*24**	*8MPV125	1.03	0.95
ENH4X42*21**	*8MPV125	1.03	0.98
ENH4X43*21**	*8MPV125	1.03	0.94
ENH4X48*21**	*8MPV125	1.03	0.95
EA*4X42*21A*	*9MA*1002120A**	0.99	0.95
EA*4X42*24A*	*9MA*1002120A**	0.99	0.95
EA*4X48*21A*	*9MA*1002120A**	1.01	0.98
EA*4X48*24A*	*9MA*1002120A**	1.01	0.98
ED*4X42F**	*9MA*1002120A**	0.99	0.97
ED*4X42J**	*9MA*1002120A**	0.99	0.95
ED*4X42L**	*9MA*1002120A**	0.99	0.95
ED*4X48F**	*9MA*1002120A**	1.01	0.98
ED*4X48J**	*9MA*1002120A**	1.01	0.98
ED*4X48L**	*9MA*1002120A**	1.01	0.98
EHD4X42A**	*9MA*1002120A**	1.01	0.98
EHD4X48A**	*9MA*1002120A**	1.03	0.99
EN(A,D)4X43*24**	*9MA*1002120A**	1.03	0.98
EN(A,D)4X48*24**	*9MA*1002120A**	1.01	0.98
EN(A,D,W)4X42*21**	*9MA*1002120A**	1	0.98
EN(A,D,W)4X48*21**	*9MA*1002120A**	1.01	0.98
ENH4X42*21**	*9MA*1002120A**	1	0.98
ENH4X43*21**	*9MA*1002120A**	1.03	0.98
ENH4X48*21**	*9MA*1002120A**	1.01	0.98
ED*4X42F**	*9MPV075	1	1
ED*4X48F**	*9MPV075	1	1
ED*4X48F**	*9MPV075	1	1
EHD4X42A**	*9MPV075	1	1
EHD4X42A**	*9MPV075	1	1
EHD4X48A**	*9MPV075	1.01	1.01
ED*4X42J**	*9MPV100	0.98	0.93
ED*4X48J**	*9MPV100	0.98	0.93
EHD4X42A**	*9MPV100	0.98	0.93
EHD4X48A**	*9MPV100	0.98	0.93
ED*4X42L**	*9MPV125	0.98	0.93
ED*4X48L**	*9MPV125	0.98	0.93
EHD4X42A**	*9MPV125	0.98	0.93
EHD4X48A**	*9MPV125	0.98	0.93
ED*4X42F**	*9MVX060	1	1
ED*4X48F**	*9MVX060	1	1
ED*4X48F**	*9MVX060	1	1

COOLING MULTIPLIERS FOR COMBINATION RATINGS: R4A324A(G)KA* (Cont.)			
Cooling Indoor Model	Furnace Model	Capacity	Power
EHD4X42A**	*9MVX060	1	1
EHD4X42A**	*9MVX060	1	1
EHD4X48A**	*9MVX060	0.98	0.98
ED*4X42J**	*9MVX080	0.98	0.98
ED*4X48J**	*9MVX080	0.98	0.98
EHD4X42A**	*9MVX080	0.98	0.98
EHD4X48A**	*9MVX080	0.98	0.98
ED*4X42L**	*9MVX100	0.98	0.98
ED*4X48L**	*9MVX100	1.01	0.97
EHD4X42A**	*9MVX100	0.98	0.98
EHD4X48A**	*9MVX100	0.98	0.89
EA*4X42*21A*	*9MX*1002116A**	1	0.98
EA*4X42*24A*	*9MX*1002116A**	1	0.98
EA*4X48*21A*	*9MX*1002116A**	1.01	0.98
EA*4X48*24A*	*9MX*1002116A**	1.01	0.98
ED*4X42F**	*9MX*1002116A**	1	0.98
ED*4X42J**	*9MX*1002116A**	1	0.98
ED*4X42L**	*9MX*1002116A**	1	0.98
ED*4X48F**	*9MX*1002116A**	1.03	0.99
ED*4X48J**	*9MX*1002116A**	1.01	0.98
ED*4X48L**	*9MX*1002116A**	1.01	0.98
EHD4X42A**	*9MX*1002116A**	1.01	0.98
EHD4X48A**	*9MX*1002116A**	1.03	0.99
EN(A,D)4X43*24**	*9MX*1002116A**	1.04	1
EN(A,D)4X48*24**	*9MX*1002116A**	1.01	0.98
EN(A,D,W)4X42*21**	*9MX*1002116A**	1	0.98
EN(A,D,W)4X48*21**	*9MX*1002116A**	1.01	0.98
ENH4X42*21**	*9MX*1002116A**	1	0.98
ENH4X43*21**	*9MX*1002116A**	1.03	0.99
ENH4X48*21**	*9MX*1002116A**	1.01	0.98
ED*4X42F**	MV12F19**B*	0.98	0.89
ED*4X48F**	MV12F19**B*	0.98	0.89
EHD4X42A**	MV12F19**B*	0.98	0.89
EHD4X48A**	MV12F19**B*	0.98	0.89
EN(A,D,W)4X42*21**	MV12F19**B*	1.03	0.98
EN(A,D,W)4X48*21**	MV12F19**B*	1.03	0.94
ENH4X42*21**	MV12F19**B*	1.03	0.98
ENH4X43*21**	MV12F19**B*	1.03	0.94
ENH4X48*21**	MV12F19**B*	1.03	0.94
ED*4X42J**	MV16J22**B*	0.98	0.89
ED*4X48J**	MV16J22**B*	0.98	0.89
EHD4X42A**	MV16J22**B*	0.98	0.89
EHD4X48A**	MV16J22**B*	0.98	0.89
EN(A,D)4X43*24**	MV16J22**B*	1.03	0.94
EN(A,D)4X48*24**	MV16J22**B*	1.03	0.94
ENH4X42*21**	MV16J22**B*	1.03	0.94
ENH4X43*21**	MV16J22**B*	1.03	0.94
ENH4X48*21**	MV16J22**B*	1.03	0.94
ED*4X42L**	MV20L24**B*	0.98	0.89
ED*4X48L**	MV20L24**B*	0.98	0.89
EHD4X42A**	MV20L24**B*	0.98	0.89
EHD4X48A**	MV20L24**B*	0.98	0.89
EN(A,D)4X43*24**	MV20L24**B*	1.03	0.94
EN(A,D)4X48*24**	MV20L24**B*	1.03	0.94
ENH4X42*21**	MV20L24**B*	1.03	0.94
ENH4X43*21**	MV20L24**B*	1.03	0.94
ENH4X48*21**	MV20L24**B*	1.03	0.94
EA*4X42*21A*		1.01	1.05
EA*4X42*21A*		1.01	1.05
EA*4X42*24A*		1.01	1.05
EA*4X42*24A*		1.01	1.05
EA*4X48*17A*		1.04	1.04
EA*4X48*17A*		1.04	1.04
EA*4X48*21A*		1.03	1.04
EA*4X48*21A*		1.03	1.04
EA*4X48*24A*		1.03	1.04

COOLING MULTIPLIERS FOR COMBINATION RATINGS: R4A324A(G)KA* (Cont.)			
Cooling Indoor Model	Furnace Model	Capacity	Power
EA*4X48*24A*		1.03	1.04
EA*4X60*21A*		1.05	1.05
EA*4X60*24A*		1.05	1.05
ED*4X42F**		0.98	0.98
ED*4X42L**		0.99	0.99
ED*4X48F**		0.99	0.99
ED*4X48J**		0.99	0.99
ED*4X48L**		0.99	0.99
EHD4X42A**		0.98	0.98
EHD4X48A**		0.99	0.99
EMA4X48D**		0.99	0.99
EN(A,D)4X43*24**		1.03	1.03
EN(A,D)4X48*24**		1.03	1.03
EN(A,D,W)4X42*21**		1.03	1.03
EN(A,D,W)4X48*21**		1.03	1.03
END4X42*17**		1.03	1.03
ENH4X42*21**		1.03	1.03
ENH4X43*21**		1.03	1.03
ENH4X48*21**		1.03	1.03

EXPANDED COOLING PERFORMANCE RATINGS For Outdoor / Indoor Models

For complete ratings information, use the AHRI website directory search: www.AHRIdirectory.org.
New ratings may be listed online before Specification Sheets are updated.

R4A330A(G)KA Outdoor Section With ED*4X30B Indoor Section**

EVAPORATOR AIR		CONDENSER ENTERING AIR TEMPERATURES deg F														
		75			85			95			105			115		
CFM	EWB	Capacity MBtuh		Total System KW	Capacity MBtuh		Total System KW	Capacity MBtuh		Total System KW	Capacity MBtuh		Total System KW	Capacity MBtuh		Total System KW
		Total	Sens		Total	Sens		Total	Sens		Total	Sens		Total	Sens	
875	72	31.88	16.54	1.97	30.55	16.06	2.21	29.17	15.57	2.48	27.73	15.07	2.77	26.14	14.51	3.10
	67	29.45	20.69	1.97	28.21	20.19	2.21	26.90	19.68	2.47	25.54	19.15	2.77	24.04	18.57	3.09
	62	27.29	24.80	1.96	26.15	24.27	2.20	24.96	23.68	2.47	23.83	23.83	2.76	22.65	22.65	3.09
	57	26.90	26.90	1.96	25.94	25.94	2.20	24.91	24.91	2.47	23.83	23.83	2.76	22.65	22.65	3.09
1000	72	32.25	17.34	2.02	30.87	16.86	2.26	29.45	16.36	2.53	27.98	15.86	2.82	26.34	15.30	3.14
	67	29.82	22.01	2.01	28.55	21.52	2.25	27.20	21.00	2.52	25.81	20.47	2.81	24.28	19.88	3.14
	62	27.85	27.62	2.01	26.81	26.81	2.25	25.72	25.72	2.51	24.59	24.59	2.81	23.35	23.35	3.14
	57	27.82	27.82	2.01	26.81	26.81	2.25	25.73	25.73	2.51	24.60	24.60	2.81	23.35	23.35	3.14
1125	72	32.50	18.10	2.07	31.08	17.61	2.31	29.63	17.12	2.57	28.13	16.61	2.87	26.46	16.05	3.19
	67	30.08	23.28	2.06	28.78	22.78	2.30	27.41	22.26	2.57	26.00	21.72	2.86	24.45	21.12	3.19
	62	28.55	28.55	2.06	27.50	27.50	2.30	26.36	26.36	2.56	25.19	25.19	2.86	23.89	23.89	3.18
	57	28.55	28.55	2.06	27.50	27.50	2.30	26.37	26.37	2.56	25.19	25.19	2.86	23.89	23.89	3.18

Total sensible capacities are based on net capacities. Blower heat has been subtracted.

Sensible capacities shown are based on 80° F (27° C) entering air at the indoor coil. For sensible capacities at other than 80° F (27° C), deduct 835 Btuh (245 kW) per 1000 CFM (480 L/S) of indoor coil air for each degree below 80° F (27° C), or add 835 Btuh (245 kW) per 1000 CFM (480 L/S) of indoor coil air per degree above 80° F (27° C).

Detailed cooling and heating capacities are based on indoor and outdoor unit at the same elevation per AHRI standard 210/240 -2008. If additional tubing length is required and/or indoor unit is located above outdoor unit, a slight variation in capacity may occur.

System kw is total of indoor and outdoor unit kilowatts.

COOLING MULTIPLIERS FOR COMBINATION RATINGS: R4A330A(G)KA*

Cooling Indoor Model	Furnace Model	Capacity	Power
ED*4X30B**		1	1
FEA4X30**A*		1.01	0.95
FEA4X36**A*		1.02	0.96
FEM4P30**A*		1.01	0.99
FEM4P36**A*		1.01	1
FEM4P42**A*		1.03	1.01
FEM4X30****		1	0.94
FEM4X36****		1	0.94
FS(M,U)4P30**A*		1.01	1
FS(M,U)4P36**A*		1.01	1
FS(M,U)4X30****		1	1
FSA4X30**A*		1	1
FSA4X36**A*		1	1
FSM4X36****		1	1
FSU4X36****		1	1
FVM4X24****		1	0.94
FVM4X36****		1	0.9
FVM4X48****		1	0.9
FXM4X30**A*		1.03	0.97
FXM4X36**A*		1.04	0.93
FXM4X42**A*		1.04	1.02
EA*4X30*14A*	*8MV*0701412**	1	0.92
EA*4X36*14A*	*8MV*0701412**	1.01	0.93
ED*4X30B**	*8MV*0701412**	1	0.92
ED*4X36B**	*8MV*0701412**	1.01	0.93
EHD4X30A**	*8MV*0701412**	1	0.92
EHD4X36A**	*8MV*0701412**	1.02	0.92
EN(A,D)4X30*14**	*8MV*0701412**	1	0.92
EN(A,D)4X37*17**	*8MV*0701412**	1.03	0.93
ENH4X30*17**	*8MV*0701412**	1	0.92
ENH4X36*17**	*8MV*0701412**	1.01	0.93
EA*4X30*17A*	*8MV*0901716**	1.01	0.91
EA*4X36*17A*	*8MV*0901716**	1.01	0.91
ED*4X30F**	*8MV*0901716**	1.01	0.91
ED*4X36F**	*8MV*0901716**	1.01	0.91

COOLING MULTIPLIERS FOR COMBINATION RATINGS: R4A330A(G)KA* (Cont.)			
Cooling Indoor Model	Furnace Model	Capacity	Power
EHD4X30A**	*8MV*0901716**	1.01	0.93
EHD4X36A**	*8MV*0901716**	1.02	0.92
EN(A,D)4X30*17**	*8MV*0901716**	1.01	0.93
EN(A,D)4X37*17**	*8MV*0901716**	1.03	0.93
EN(A,D,W)4X36*17**	*8MV*0901716**	1.01	0.93
END4X42*17**	*8MV*0901716**	1.02	0.91
ENH4X30*17**	*8MV*0901716**	1.01	0.93
ENH4X36*17**	*8MV*0901716**	1.01	0.93
EA*4X36*21A*	*8MV*1102120**	1.01	0.91
ED*4X36J**	*8MV*1102120**	1.01	0.91
EHD4X30A**	*8MV*1102120**	1.01	0.94
EHD4X36A**	*8MV*1102120**	1.02	0.92
EN(A,D)4X36*21**	*8MV*1102120**	1.01	0.93
ENH4X30*17**	*8MV*1102120**	1.01	0.93
ENH4X36*17**	*8MV*1102120**	1.01	0.93
EHD4X30A**	*8MV*1352422**	1.01	0.94
EHD4X36A**	*8MV*1352422**	1.02	0.92
ENH4X30*17**	*8MV*1352422**	1.01	0.91
ENH4X36*17**	*8MV*1352422**	1.01	0.91
ED*4X30F**	*8MX*0701716**	1.01	0.93
ED*4X36F**	*8MX*0701716**	1.01	0.94
EHD4X30A**	*8MX*0701716**	1.01	0.95
EHD4X36A**	*8MX*0701716**	1.02	0.94
EN(A,D)4X30*17**	*8MX*0701716**	1.01	0.95
EN(A,D)4X37*17**	*8MX*0701716**	1.03	0.93
EN(A,D,W)4X36*17**	*8MX*0701716**	1.01	0.95
ENH4X30*17**	*8MX*0701716**	1.01	0.95
ENH4X36*17**	*8MX*0701716**	1.01	0.95
ED*4X36J**	*8MX*0902116**	1.02	0.92
EHD4X30A**	*8MX*0902116**	1.01	0.94
EHD4X36A**	*8MX*0902116**	1.02	0.92
EN(A,D)4X36*21**	*8MX*0902116**	1.01	0.94
EN(A,D,W)4X48*21**	*8MX*0902116**	1.04	0.92
ENH4X30*17**	*8MX*0902116**	1.01	0.94
ENH4X36*17**	*8MX*0902116**	1.01	0.94
EA*4X30*17A*	*9MA*0601714A**	1	0.94
EA*4X36*17A*	*9MA*0601714A**	1.01	0.95
EA*4X36*21A*	*9MA*0601714A**	1.01	0.92
ED*4X36F**	*9MA*0601714A**	1.01	0.95
EHD4X30A**	*9MA*0601714A**	1.01	0.95
EHD4X36A**	*9MA*0601714A**	1.02	0.94
EN(A,D)4X30*17**	*9MA*0601714A**	1.01	0.95
EN(A,D)4X31*17**	*9MA*0601714A**	1.02	0.94
EN(A,D)4X36*21**	*9MA*0601714A**	1.01	0.95
EN(A,D)4X37*17**	*9MA*0601714A**	1.04	0.93
EN(A,D,W)4X36*17**	*9MA*0601714A**	1.01	0.95
ENH4X30*17**	*9MA*0601714A**	1.01	0.95
ENH4X31*17**	*9MA*0601714A**	1.02	0.94
ENH4X36*17**	*9MA*0601714A**	1.01	0.95
EA*4X36*21A*	*9MA*0602120A**	1.01	0.93
EA*4X42*21A*	*9MA*0602120A**	1.02	0.94
ED*4X30F**	*9MA*0602120A**	1.01	0.95
ED*4X36F**	*9MA*0602120A**	1.01	0.95
ED*4X36J**	*9MA*0602120A**	1.01	0.95
ED*4X42F**	*9MA*0602120A**	1.01	0.94
EHD4X30A**	*9MA*0602120A**	1.01	0.95
EHD4X36A**	*9MA*0602120A**	1.03	0.94
EN(A,D)4X36*21**	*9MA*0602120A**	1.01	0.95
EN(A,D,W)4X42*21**	*9MA*0602120A**	1.02	0.96
EA*4X30*17A*	*9MA*0801714A**	1.01	0.92
EA*4X36*17A*	*9MA*0801714A**	1.01	0.93
EA*4X36*21A*	*9MA*0801714A**	1.01	0.93
ED*4X36F**	*9MA*0801714A**	1.01	0.93
EHD4X30A**	*9MA*0801714A**	1.01	0.93
EHD4X36A**	*9MA*0801714A**	1.03	0.93
EN(A,D)4X30*17**	*9MA*0801714A**	1.01	0.93

COOLING MULTIPLIERS FOR COMBINATION RATINGS: R4A330A(G)KA* (Cont.)			
Cooling Indoor Model	Furnace Model	Capacity	Power
EN(A,D)4X31*17**	*9MA*0801714A**	1.03	0.93
EN(A,D)4X36*21**	*9MA*0801714A**	1.01	0.93
EN(A,D)4X37*17**	*9MA*0801714A**	1.04	0.94
EN(A,D,W)4X36*17**	*9MA*0801714A**	1.01	0.93
ENH4X30*17**	*9MA*0801714A**	1.01	0.93
ENH4X31*17**	*9MA*0801714A**	1.03	0.93
ENH4X36*17**	*9MA*0801714A**	1.01	0.93
EA*4X36*21A*	*9MA*0802120A**	1.01	0.91
EA*4X42*21A*	*9MA*0802120A**	1.02	0.92
ED*4X30F**	*9MA*0802120A**	1.01	0.95
ED*4X36F**	*9MA*0802120A**	1.01	0.94
ED*4X36J**	*9MA*0802120A**	1.01	0.91
ED*4X42F**	*9MA*0802120A**	1.02	0.92
EHD4X30A**	*9MA*0802120A**	1.01	0.95
EHD4X36A**	*9MA*0802120A**	1.03	0.93
EN(A,D)4X36*21**	*9MA*0802120A**	1.01	0.95
EN(A,D,W)4X42*21**	*9MA*0802120A**	1.02	0.92
EA*4X36*21A*	*9MA*1002122A**	1.02	0.92
EA*4X42*21A*	*9MA*1002122A**	1.03	0.93
ED*4X30F**	*9MA*1002122A**	1.01	0.91
ED*4X36F**	*9MA*1002122A**	1.02	0.92
ED*4X36J**	*9MA*1002122A**	1.02	0.92
ED*4X42F**	*9MA*1002122A**	1.02	0.94
EHD4X30A**	*9MA*1002122A**	1.02	0.94
EHD4X36A**	*9MA*1002122A**	1.04	0.93
EN(A,D)4X36*21**	*9MA*1002122A**	1.01	0.91
EN(A,D,W)4X42*21**	*9MA*1002122A**	1.03	0.93
EHD4X30A**	*9MA*1202422A**	1.01	0.93
EHD4X36A**	*9MA*1202422A**	1.03	0.93
ENH4X30*17**	*9MA*1202422A**	1.01	0.93
ENH4X31*17**	*9MA*1202422A**	1.04	0.93
ENH4X36*17**	*9MA*1202422A**	1.01	0.93
EA*4X30*17A*	*9MV*0601714A**	1.01	0.95
EA*4X36*17A*	*9MV*0601714A**	1.01	0.93
EA*4X36*21A*	*9MV*0601714A**	1.01	0.93
ED*4X30F**	*9MV*0601714A**	1.01	0.95
ED*4X36F**	*9MV*0601714A**	1.01	0.93
EHD4X30A**	*9MV*0601714A**	1.01	0.95
EHD4X36A**	*9MV*0601714A**	1.02	0.94
EN(A,D)4X30*17**	*9MV*0601714A**	1.01	0.95
EN(A,D)4X31*17**	*9MV*0601714A**	1.03	0.94
EN(A,D)4X36*21**	*9MV*0601714A**	1.01	0.95
EN(A,D)4X37*17**	*9MV*0601714A**	1.04	0.93
EN(A,D,W)4X36*17**	*9MV*0601714A**	1.01	0.95
ENH4X30*17**	*9MV*0601714A**	1.01	0.95
ENH4X31*17**	*9MV*0601714A**	1.03	0.94
ENH4X36*17**	*9MV*0601714A**	1.01	0.95
EA*4X30*17A*	*9MV*0801716A**	1.01	0.92
EA*4X36*17A*	*9MV*0801716A**	1.01	0.93
EA*4X36*21A*	*9MV*0801716A**	1.01	0.93
ED*4X30F**	*9MV*0801716A**	1.01	0.92
ED*4X36F**	*9MV*0801716A**	1.01	0.93
EHD4X30A**	*9MV*0801716A**	1.01	0.92
EHD4X36A**	*9MV*0801716A**	1.03	0.93
EN(A,D)4X30*17**	*9MV*0801716A**	1.01	0.92
EN(A,D)4X31*17**	*9MV*0801716A**	1.03	0.93
EN(A,D)4X36*21**	*9MV*0801716A**	1.01	0.92
EN(A,D)4X37*17**	*9MV*0801716A**	1.04	0.94
EN(A,D,W)4X36*17**	*9MV*0801716A**	1.01	0.92
ENH4X30*17**	*9MV*0801716A**	1.01	0.92
ENH4X31*17**	*9MV*0801716A**	1.03	0.93
ENH4X36*17**	*9MV*0801716A**	1.01	0.92
EA*4X36*21A*	*9MV*0802120A**	1.02	0.92
EA*4X42*21A*	*9MV*0802120A**	1.02	0.94
ED*4X30F**	*9MV*0802120A**	1.01	0.91
ED*4X36F**	*9MV*0802120A**	1.01	0.91

COOLING MULTIPLIERS FOR COMBINATION RATINGS: R4A330A(G)KA* (Cont.)			
Cooling Indoor Model	Furnace Model	Capacity	Power
ED*4X36J**	*9MV*0802120A**	1.02	0.92
ED*4X42F**	*9MV*0802120A**	1.02	0.92
EHD4X30A**	*9MV*0802120A**	1.01	0.93
EHD4X36A**	*9MV*0802120A**	1.03	0.93
EN(A,D)4X36*21**	*9MV*0802120A**	1.01	0.93
EN(A,D,W)4X42*21**	*9MV*0802120A**	1.02	0.92
EA*4X36*21A*	*9MV*1002120A**	1.01	0.91
EA*4X42*21A*	*9MV*1002120A**	1.02	0.92
ED*4X30F**	*9MV*1002120A**	1	0.9
ED*4X36F**	*9MV*1002120A**	1.01	0.91
ED*4X36J**	*9MV*1002120A**	1.01	0.91
ED*4X42F**	*9MV*1002120A**	1.01	0.91
EHD4X30A**	*9MV*1002120A**	1	0.92
EHD4X36A**	*9MV*1002120A**	1.02	0.92
EN(A,D)4X36*21**	*9MV*1002120A**	1	0.9
EN(A,D,W)4X42*21**	*9MV*1002120A**	1.01	0.91
ED*4X36J**	*9MV*1202422A**	1.02	0.92
EHD4X30A**	*9MV*1202422A**	1.01	0.93
EHD4X36A**	*9MV*1202422A**	1.03	0.93
ENH4X30*17**	*9MV*1202422A**	1.01	0.92
ENH4X31*17**	*9MV*1202422A**	1.04	0.93
ENH4X36*17**	*9MV*1202422A**	1.01	0.92
EA*4X30*14A*	*9MX*0401410A**	0.99	1.05
EA*4X30*17A*	*9MX*0401410A**	1	1.05
EA*4X36*14A*	*9MX*0401410A**	1	1.05
EA*4X36*17A*	*9MX*0401410A**	1	1.05
EHD4X30A**	*9MX*0401410A**	1	1.04
EHD4X36A**	*9MX*0401410A**	1.02	1.06
EN(A,D)4X30*14**	*9MX*0401410A**	0.99	1.04
EN(A,D)4X30*17**	*9MX*0401410A**	1	1.05
EN(A,D)4X31*17**	*9MX*0401410A**	1.02	1.05
EN(A,D)4X37*17**	*9MX*0401410A**	1.03	1.05
EN(A,D,W)4X36*17**	*9MX*0401410A**	1	1.05
ENH4X30*17**	*9MX*0401410A**	1	1.05
ENH4X31*17**	*9MX*0401410A**	1.02	1.06
ENH4X36*17**	*9MX*0401410A**	1	1.05
EA*4X30*17A*	*9MX*0601714A**	1.01	0.95
EA*4X36*17A*	*9MX*0601714A**	1.01	0.95
EA*4X36*21A*	*9MX*0601714A**	1.01	0.93
ED*4X36F**	*9MX*0601714A**	1.01	0.95
EHD4X30A**	*9MX*0601714A**	1.01	0.95
EHD4X36A**	*9MX*0601714A**	1.03	0.94
EN(A,D)4X30*17**	*9MX*0601714A**	1.01	0.95
EN(A,D)4X31*17**	*9MX*0601714A**	1.04	0.95
EN(A,D)4X36*21**	*9MX*0601714A**	1.01	0.95
EN(A,D)4X37*17**	*9MX*0601714A**	1.04	0.94
EN(A,D,W)4X36*17**	*9MX*0601714A**	1.01	0.95
ENH4X30*17**	*9MX*0601714A**	1.01	0.95
ENH4X31*17**	*9MX*0601714A**	1.04	0.95
ENH4X36*17**	*9MX*0601714A**	1.01	0.95
EA*4X30*17A*	*9MX*0801716A**	1.01	0.95
EA*4X36*17A*	*9MX*0801716A**	1.02	0.94
EA*4X36*21A*	*9MX*0801716A**	1.02	0.94
ED*4X36F**	*9MX*0801716A**	1.02	0.94
EHD4X30A**	*9MX*0801716A**	1.02	0.96
EHD4X36A**	*9MX*0801716A**	1.04	0.95
EN(A,D)4X30*17**	*9MX*0801716A**	1.01	0.95
EN(A,D)4X31*17**	*9MX*0801716A**	1.04	0.96
EN(A,D)4X36*21**	*9MX*0801716A**	1.02	0.96
EN(A,D)4X37*17**	*9MX*0801716A**	1.05	0.95
EN(A,D,W)4X36*17**	*9MX*0801716A**	1.01	0.95
ENH4X30*17**	*9MX*0801716A**	1.01	0.95
ENH4X31*17**	*9MX*0801716A**	1.04	0.96
ENH4X36*17**	*9MX*0801716A**	1.01	0.95
EA*4X30*14A*	MV08**14C*	1	0.92
EA*4X30*17A*	MV08**14C*	1.01	0.93

COOLING MULTIPLIERS FOR COMBINATION RATINGS: R4A330A(G)KA* (Cont.)			
Cooling Indoor Model	Furnace Model	Capacity	Power
EA*4X36*14A*	MV08**14C*	1.01	0.93
EA*4X36*17A*	MV08**14C*	1.01	0.93
EHD4X30A**	MV08**14C*	1.01	0.93
EHD4X36A**	MV08**14C*	1.02	0.92
EHD4X42A**	MV08**14C*	1.03	0.93
EN(A,D)4X30*14**	MV08**14C*	1	0.92
EN(A,D)4X30*17**	MV08**14C*	1.01	0.93
EN(A,D)4X31*17**	MV08**14C*	1.03	0.93
EN(A,D)4X37*17**	MV08**14C*	1.04	0.92
EN(A,D,W)4X36*17**	MV08**14C*	1.01	0.93
END4X42*17**	MV08**14C*	1.02	0.92
ENH4X30*17**	MV08**14C*	1.01	0.93
ENH4X31*17**	MV08**14C*	1.03	0.93
ENH4X36*17**	MV08**14C*	1.01	0.93
EA*4X30*17A*	MV12**17C*	1.01	0.94
EA*4X36*17A*	MV12**17C*	1.01	0.94
EA*4X36*21A*	MV12**17C*	1.01	0.91
EA*4X42*21A*	MV12**17C*	1.02	0.92
EHD4X30A**	MV12**17C*	1.01	0.94
EHD4X36A**	MV12**17C*	1.03	0.93
EHD4X42A**	MV12**17C*	1.04	0.93
EN(A,D)4X30*17**	MV12**17C*	1.01	0.94
EN(A,D)4X31*17**	MV12**17C*	1.04	0.93
EN(A,D)4X36*21**	MV12**17C*	1.01	0.94
EN(A,D)4X37*17**	MV12**17C*	1.04	0.92
EN(A,D,W)4X36*17**	MV12**17C*	1.01	0.94
EN(A,D,W)4X42*21**	MV12**17C*	1.02	0.94
END4X42*17**	MV12**17C*	1.03	0.93
ENH4X30*17**	MV12**17C*	1.01	0.94
ENH4X31*17**	MV12**17C*	1.04	0.93
ENH4X36*17**	MV12**17C*	1.01	0.94
ENH4X42*21**	MV12**17C*	1.02	0.94
ENH4X43*21**	MV12**17C*	1.04	0.92
EN(A,D)4X37*17**	NOMV106D12*	1.03	0.93
ED*4X30B**	*8MPV050	1.01	0.99
ED*4X36B**	*8MPV050	1.01	1
EHD4X30A**	*8MPV050	1.01	1
EHD4X36A**	*8MPV050	1.04	1
EN(A,D)4X37*17**	*8MPV050	1.03	1.01
ED*4X30F**	*8MPV075	1	0.94
ED*4X36F**	*8MPV075	1	0.94
EHD4X30A**	*8MPV075	1	0.94
EHD4X36A**	*8MPV075	1	0.94
ED*4X36J**	*8MPV100	1	0.9
EHD4X30A**	*8MPV100	1	0.94
EHD4X36A**	*8MPV100	1	0.9
ED*4X36J**	*8MPV125	1	0.9
EHD4X30A**	*8MPV125	1	0.94
EHD4X36A**	*8MPV125	1	0.9
EA*4X36*21A*	*9MA*1002120A**	1.01	0.93
ED*4X36F**	*9MA*1002120A**	1.01	0.93
EHD4X30A**	*9MA*1002120A**	1.01	0.93
EHD4X36A**	*9MA*1002120A**	1.04	0.93
EN(A,D)4X36*21**	*9MA*1002120A**	1.01	0.93
ENH4X30*17**	*9MA*1002120A**	1.01	0.93
ENH4X31*17**	*9MA*1002120A**	1.04	0.93
ENH4X36*17**	*9MA*1002120A**	1.01	0.93
ED*4X30F**	*9MPV050	1.01	0.97
ED*4X36F**	*9MPV050	1.01	0.96
EHD4X30A**	*9MPV050	1.01	0.97
EHD4X36A**	*9MPV050	1	0.94
ED*4X30F**	*9MPV075	1.01	0.96
ED*4X36F**	*9MPV075	1.01	0.97
EHD4X30A**	*9MPV075	1.01	0.97
EHD4X36A**	*9MPV075	1	0.94
ED*4X36J**	*9MPV100	1	0.94

COOLING MULTIPLIERS FOR COMBINATION RATINGS: R4A330A(G)KA* (Cont.)			
Cooling Indoor Model	Furnace Model	Capacity	Power
EHD4X30A**	*9MPV100	1	0.94
EHD4X36A**	*9MPV100	1	0.94
EHD4X30A**	*9MPV125	1	0.94
EHD4X36A**	*9MPV125	1	0.9
EA*4X36*21A*	*9MV*1002116A**	1.01	0.93
EA*4X42*21A*	*9MV*1002116A**	1.02	0.92
ED*4X30F**	*9MV*1002116A**	1.01	0.92
ED*4X36F**	*9MV*1002116A**	1.01	0.93
ED*4X36J**	*9MV*1002116A**	1.01	0.93
EHD4X30A**	*9MV*1002116A**	1.01	0.92
EHD4X36A**	*9MV*1002116A**	1.03	0.93
EN(A,D)4X36*21**	*9MV*1002116A**	1.01	0.92
EN(A,D,W)4X42*21**	*9MV*1002116A**	1.02	0.94
ENH4X30*17**	*9MV*1002116A**	1.01	0.92
ENH4X31*17**	*9MV*1002116A**	1.03	0.93
ENH4X36*17**	*9MV*1002116A**	1.01	0.92
ED*4X30F**	*9MVX040	1	0.98
ED*4X36F**	*9MVX040	1	0.98
EHD4X30A**	*9MVX040	1	0.98
EHD4X36A**	*9MVX040	1	0.98
ED*4X30F**	*9MVX060	1	0.98
ED*4X36F**	*9MVX060	1	0.98
EHD4X30A**	*9MVX060	1	0.98
EHD4X36A**	*9MVX060	1	0.98
ED*4X36J**	*9MVX080	1	0.98
EHD4X30A**	*9MVX080	1	0.98
EHD4X36A**	*9MVX080	1	0.9
EHD4X30A**	*9MVX100	1	0.98
EHD4X36A**	*9MVX100	1	0.9
ED*4X30B**	MV08B15**B*	1	0.9
ED*4X36B**	MV08B15**B*	1	0.9
EHD4X30A**	MV08B15**B*	1	0.9
EHD4X36A**	MV08B15**B*	1	0.9
EN(A,D)4X37*17**	MV08B15**B*	1.03	0.93
ED*4X30F**	MV12F19**B*	1	0.9
ED*4X36F**	MV12F19**B*	1	0.9
EHD4X30A**	MV12F19**B*	1	0.9
EHD4X36A**	MV12F19**B*	1	0.9
EA*4X30*14A*		1.01	1
EA*4X30*17A*		1.01	1.01
EA*4X36*14A*		1.01	1.01
EA*4X36*17A*		1.01	1.01
EA*4X36*21A*		1.01	1.01
EA*4X42*21A*		1.01	1
EA*4X42*24A*		1.01	1
ED*4X30F**		1	1
ED*4X36B**		1	1
ED*4X36F**		1	1
ED*4X36J**		1	1
EHD4X30A**		1	1
EHD4X36A**		1	1
EMA4X36D**		1	1
EN(A,D)4X30*14**		1.01	1.01
EN(A,D)4X30*17**		1.01	1
EN(A,D)4X36*21**		1.01	1.01
EN(A,D)4X37*17**		1.03	1.01
EN(A,D,W)4X36*17**		1.01	1.01
EN(A,D,W)4X42*21**		1.01	1
END4X42*17**		1.01	1
ENH4X30*17**		1.01	1
ENH4X36*17**		1.01	1.01
ENH4X42*21**		1.01	1

EXPANDED COOLING PERFORMANCE RATINGS For Outdoor / Indoor Models

For complete ratings information, use the AHRI website directory search: www.AHRIdirectory.org.
New ratings may be listed online before Specification Sheets are updated.

R4A336A(G)KC Outdoor Section With EA*4X48*21A* Indoor Section

EVAPORATOR AIR		CONDENSER ENTERING AIR TEMPERATURES deg F														
		75			85			95			105			115		
CFM	EWB	Capacity MBtuh		Total System KW	Capacity MBtuh		Total System KW	Capacity MBtuh		Total System KW	Capacity MBtuh		Total System KW	Capacity MBtuh		Total System KW
		Total	Sens		Total	Sens		Total	Sens		Total	Sens		Total	Sens	
1050	72	29.86	29.86	3.98	38.13	19.65	2.76	36.46	19.06	3.10	34.71	18.45	3.47	32.77	17.79	3.87
	67	36.66	25.23	2.45	35.22	24.67	2.76	33.64	24.05	3.09	31.99	23.42	3.46	30.17	22.72	3.86
	62	33.97	30.22	2.45	32.65	29.62	2.75	31.21	28.94	3.08	29.76	29.76	3.45	28.35	28.35	3.86
	57	33.42	33.42	2.45	32.30	32.30	2.75	31.07	31.07	3.08	29.78	29.78	3.45	28.35	28.35	3.86
1200	72	40.35	21.22	2.52	38.49	20.57	2.82	36.81	19.99	3.16	35.01	19.38	3.52	33.02	18.70	3.92
	67	37.10	26.78	2.51	35.62	26.22	2.82	34.00	25.60	3.15	32.31	24.96	3.52	30.45	24.26	3.92
	62	34.75	32.12	2.51	33.33	33.33	2.81	32.07	32.07	3.14	30.71	30.71	3.51	29.20	29.20	3.92
	57	34.54	34.54	2.51	33.37	33.37	2.81	32.07	32.07	3.14	30.71	30.71	3.51	29.20	29.20	3.92
1350	72	40.70	22.12	2.58	38.75	21.45	2.88	37.03	20.86	3.21	35.19	20.25	3.58	33.17	19.57	3.98
	67	37.49	28.29	2.57	35.90	27.69	2.87	34.25	27.07	3.21	32.53	26.42	3.57	30.65	25.71	3.98
	62	35.43	35.43	2.57	34.21	34.21	2.87	32.85	32.85	3.20	31.43	31.43	3.57	29.86	29.86	3.98
	57	35.43	35.43	2.57	34.21	34.21	2.87	32.85	32.85	3.20	31.43	31.43	3.57	29.86	29.86	3.98

Total sensible capacities are based on net capacities. Blower heat has been subtracted.

Sensible capacities shown are based on 80° F (27° C) entering air at the indoor coil. For sensible capacities at other than 80° F (27° C), deduct 835 Btuh (245 kW) per 1000 CFM (480 L/S) of indoor coil air for each degree below 80° F (27° C), or add 835 Btuh (245 kW) per 1000 CFM (480 L/S) of indoor coil air per degree above 80° F (27° C).

Detailed cooling and heating capacities are based on indoor and outdoor unit at the same elevation per AHRI standard 210/240 -2008. If additional tubing length is required and/or indoor unit is located above outdoor unit, a slight variation in capacity may occur.

System kw is total of indoor and outdoor unit kilowatts.

COOLING MULTIPLIERS FOR COMBINATION RATINGS: R4A336A(G)KC*

Cooling Indoor Model	Furnace Model	Capacity	Power
EA*4X48*21A*		1	1
FCM4X24****		0.97	0.91
FCM4X36****		0.98	0.91
FCM4X48****		1.01	0.89
FCM4X60****		1.02	0.88
FEM4P36**A*		0.98	0.96
FEM4P42**A*		1.01	0.95
FEM4P48**A*		1.01	0.95
FEM4X36**A*		1	0.94
FEM4X42**A*		1	0.94
FS(M,U)4P36**A*		0.99	0.97
FS(M,U)4P42**A*		1	0.98
FVM4X24****		0.98	0.96
FVM4X36****		0.98	0.92
FVM4X48****		1	0.9
FVM4X60****		1.02	0.92
FXM4X36**A*		1.01	0.95
FXM4X42**A*		1.01	0.95
FXM4X48**A*		1.03	0.93
EA*4X36*14A*	*8MV*0701412**	0.97	0.93
EHD4X36A**	*8MV*0701412**	0.99	0.93
EHD4X42A**	*8MV*0701412**	0.99	0.93
EA*4X36*17A*	*8MV*0901716**	0.98	0.92
EHD4X36A**	*8MV*0901716**	0.99	0.93
EHD4X42A**	*8MV*0901716**	1	0.94
EN(A,D)4X37*17**	*8MV*0901716**	1	0.94
EN(A,D,W)4X36*17**	*8MV*0901716**	0.97	0.95
END4X42*17**	*8MV*0901716**	0.98	0.92
ENH4X36*17**	*8MV*0901716**	0.97	0.95
EA*4X36*21A*	*8MV*1102120**	0.98	0.92
EA*4X42*21A*	*8MV*1102120**	0.98	0.91
EHD4X36A**	*8MV*1102120**	0.99	0.93
EHD4X42A**	*8MV*1102120**	0.99	0.93
EN(A,D)4X36*21**	*8MV*1102120**	0.97	0.95
EN(A,D,W)4X42*21**	*8MV*1102120**	0.98	0.92

COOLING MULTIPLIERS FOR COMBINATION RATINGS: R4A336A(G)KC* (Cont.)			
Cooling Indoor Model	Furnace Model	Capacity	Power
ENH4X42*21**	*8MV*1102120**	0.98	0.92
ENH4X43*21**	*8MV*1102120**	1.01	0.91
EA*4X42*24A*	*8MV*1352422**	0.98	0.91
EHD4X36A**	*8MV*1352422**	0.99	0.93
EHD4X42A**	*8MV*1352422**	0.99	0.89
EN(A,D)4X43*24**	*8MV*1352422**	1.01	0.91
EHD4X36A**	*8MX*0451408**	0.99	0.97
EHD4X42A**	*8MX*0451408**	0.99	0.98
EA*4X36*17A*	*8MX*0701716**	0.97	0.94
EHD4X36A**	*8MX*0701716**	0.99	0.97
EHD4X42A**	*8MX*0701716**	0.99	0.98
EN(A,D)4X37*17**	*8MX*0701716**	1.01	0.94
EN(A,D,W)4X36*17**	*8MX*0701716**	0.97	0.95
END4X42*17**	*8MX*0701716**	0.98	0.96
ENH4X36*17**	*8MX*0701716**	0.96	0.95
EA*4X36*21A*	*8MX*0902116**	0.98	0.91
EA*4X42*21A*	*8MX*0902116**	0.99	0.91
EHD4X36A**	*8MX*0902116**	1	0.94
EHD4X42A**	*8MX*0902116**	1.01	0.91
EN(A,D)4X36*21**	*8MX*0902116**	0.98	0.92
EN(A,D,W)4X42*21**	*8MX*0902116**	0.98	0.92
ENH4X42*21**	*8MX*0902116**	0.98	0.92
ENH4X43*21**	*8MX*0902116**	1.01	0.91
EA*4X36*21A*	*8MX*1102120**	0.99	0.91
EA*4X42*21A*	*8MX*1102120**	0.99	0.92
EHD4X36A**	*8MX*1102120**	1	0.9
EHD4X42A**	*8MX*1102120**	1.01	0.91
EN(A,D)4X36*21**	*8MX*1102120**	0.98	0.92
EN(A,D,W)4X42*21**	*8MX*1102120**	0.99	0.93
ENH4X42*21**	*8MX*1102120**	0.99	0.93
ENH4X43*21**	*8MX*1102120**	1.02	0.92
EA*4X36*17A*	*9MA*0601714A**	0.96	0.92
EHD4X36A**	*9MA*0601714A**	0.98	0.94
EHD4X42A**	*9MA*0601714A**	0.99	0.93
EN(A,D)4X37*17**	*9MA*0601714A**	0.99	0.93
EN(A,D,W)4X36*17**	*9MA*0601714A**	0.96	0.92
END4X42*17**	*9MA*0601714A**	0.98	0.93
ENH4X36*17**	*9MA*0601714A**	0.96	0.92
EA*4X36*21A*	*9MA*0602120A**	0.96	0.91
EA*4X42*21A*	*9MA*0602120A**	0.98	0.92
EHD4X36A**	*9MA*0602120A**	0.99	0.93
EHD4X42A**	*9MA*0602120A**	0.99	0.9
EN(A,D)4X36*21**	*9MA*0602120A**	0.96	0.91
EN(A,D,W)4X42*21**	*9MA*0602120A**	0.98	0.92
ENH4X42*21**	*9MA*0602120A**	0.98	0.92
ENH4X43*21**	*9MA*0602120A**	1	0.9
EA*4X36*17A*	*9MA*0801714A**	0.96	0.92
EHD4X36A**	*9MA*0801714A**	0.99	0.93
EHD4X42A**	*9MA*0801714A**	0.99	0.93
EN(A,D)4X37*17**	*9MA*0801714A**	1	0.92
EN(A,D,W)4X36*17**	*9MA*0801714A**	0.96	0.92
END4X42*17**	*9MA*0801714A**	0.98	0.92
ENH4X36*17**	*9MA*0801714A**	0.96	0.92
EA*4X36*21A*	*9MA*0802120A**	0.97	0.9
EA*4X42*21A*	*9MA*0802120A**	0.98	0.88
EHD4X36A**	*9MA*0802120A**	0.99	0.89
EHD4X42A**	*9MA*0802120A**	0.99	0.89
EN(A,D)4X36*21**	*9MA*0802120A**	0.97	0.91
EN(A,D,W)4X42*21**	*9MA*0802120A**	0.98	0.9
ENH4X42*21**	*9MA*0802120A**	0.98	0.9
ENH4X43*21**	*9MA*0802120A**	1.01	0.91
EA*4X36*21A*	*9MA*1002122A**	0.98	0.89
EA*4X42*21A*	*9MA*1002122A**	0.98	0.88
EHD4X36A**	*9MA*1002122A**	0.99	0.89
EHD4X42A**	*9MA*1002122A**	1	0.9
EN(A,D)4X36*21**	*9MA*1002122A**	0.97	0.91

COOLING MULTIPLIERS FOR COMBINATION RATINGS: R4A336A(G)KC* (Cont.)			
Cooling Indoor Model	Furnace Model	Capacity	Power
EA*4X36*17A*	*9MV*0601714A**	0.97	0.94
EHD4X36A**	*9MV*0601714A**	0.99	0.94
EHD4X42A**	*9MV*0601714A**	0.99	0.95
EN(A,D)4X37*17**	*9MV*0601714A**	1.01	0.94
EN(A,D,W)4X36*17**	*9MV*0601714A**	0.96	0.93
END4X42*17**	*9MV*0601714A**	0.99	0.94
ENH4X36*17**	*9MV*0601714A**	0.96	0.93
EA*4X36*17A*	*9MV*0801716A**	0.98	0.93
EHD4X36A**	*9MV*0801716A**	0.99	0.93
EHD4X42A**	*9MV*0801716A**	1	0.94
EN(A,D)4X37*17**	*9MV*0801716A**	1	0.92
EN(A,D,W)4X36*17**	*9MV*0801716A**	0.97	0.93
END4X42*17**	*9MV*0801716A**	0.99	0.93
ENH4X36*17**	*9MV*0801716A**	0.97	0.93
EA*4X36*21A*	*9MV*0802120A**	0.98	0.92
EA*4X42*21A*	*9MV*0802120A**	0.98	0.91
EHD4X36A**	*9MV*0802120A**	0.99	0.89
EHD4X42A**	*9MV*0802120A**	1	0.9
EN(A,D)4X36*21**	*9MV*0802120A**	0.97	0.91
EN(A,D,W)4X42*21**	*9MV*0802120A**	0.98	0.92
ENH4X42*21**	*9MV*0802120A**	0.98	0.92
ENH4X43*21**	*9MV*0802120A**	1.01	0.91
EA*4X36*21A*	*9MV*1002120A**	0.98	0.9
EA*4X42*21A*	*9MV*1002120A**	0.98	0.91
EHD4X36A**	*9MV*1002120A**	0.99	0.89
EHD4X42A**	*9MV*1002120A**	1	0.9
EN(A,D)4X36*21**	*9MV*1002120A**	0.97	0.91
EN(A,D,W)4X42*21**	*9MV*1002120A**	0.98	0.91
ENH4X42*21**	*9MV*1002120A**	0.98	0.91
ENH4X43*21**	*9MV*1002120A**	1.01	0.91
EA*4X42*24A*	*9MV*1202422A**	0.99	0.91
EHD4X36A**	*9MV*1202422A**	0.99	0.92
EHD4X42A**	*9MV*1202422A**	1	0.92
EN(A,D)4X43*24**	*9MV*1202422A**	1.01	0.91
EA*4X36*17A*	*9MX*0601714A**	0.97	0.94
EHD4X36A**	*9MX*0601714A**	0.99	0.95
EHD4X42A**	*9MX*0601714A**	1	0.94
EN(A,D)4X37*17**	*9MX*0601714A**	1.01	0.94
EN(A,D,W)4X36*17**	*9MX*0601714A**	0.97	0.94
END4X42*17**	*9MX*0601714A**	0.99	0.94
ENH4X36*17**	*9MX*0601714A**	0.97	0.94
EA*4X36*17A*	*9MX*0801716A**	0.97	0.93
EHD4X36A**	*9MX*0801716A**	0.99	0.93
EHD4X42A**	*9MX*0801716A**	1	0.94
EN(A,D)4X37*17**	*9MX*0801716A**	1.01	0.93
EN(A,D,W)4X36*17**	*9MX*0801716A**	0.97	0.94
END4X42*17**	*9MX*0801716A**	0.99	0.93
ENH4X36*17**	*9MX*0801716A**	0.97	0.94
EA*4X36*21A*	*9MX*1002120A**	0.99	0.93
EA*4X42*21A*	*9MX*1002120A**	1	0.94
EHD4X36A**	*9MX*1002120A**	1.01	0.93
EHD4X42A**	*9MX*1002120A**	1.02	0.94
EN(A,D)4X36*21**	*9MX*1002120A**	0.98	0.94
EN(A,D,W)4X42*21**	*9MX*1002120A**	0.99	0.93
ENH4X42*21**	*9MX*1002120A**	0.99	0.93
ENH4X43*21**	*9MX*1002120A**	1.03	0.93
EA*4X36*14A*	MV08**14C*	0.97	0.91
EHD4X36A**	MV08**14C*	0.99	0.92
EHD4X42A**	MV08**14C*	1	0.92
EA*4X36*17A*	MV12**17C*	0.98	0.92
EHD4X36A**	MV12**17C*	1	0.92
EHD4X42A**	MV12**17C*	1.01	0.91
EN(A,D)4X37*17**	MV12**17C*	1.02	0.92
EN(A,D,W)4X36*17**	MV12**17C*	0.98	0.92
END4X42*17**	MV12**17C*	0.99	0.92
ENH4X36*17**	MV12**17C*	0.98	0.92

COOLING MULTIPLIERS FOR COMBINATION RATINGS: R4A336A(G)KC* (Cont.)			
Cooling Indoor Model	Furnace Model	Capacity	Power
EN(A,D,W)4X42*21**	*9MA*1002122A**	0.98	0.91
ENH4X42*21**	*9MA*1002122A**	0.98	0.91
ENH4X43*21**	*9MA*1002122A**	1.01	0.91
EA*4X42*24A*	*9MA*1202422A**	0.98	0.9
EHD4X36A**	*9MA*1202422A**	0.99	0.91
EHD4X42A**	*9MA*1202422A**	0.99	0.92
EN(A,D)4X43*24**	*9MA*1202422A**	1.01	0.91
EA*4X36*21A*	MV16**21C*	0.98	0.91
EA*4X42*21A*	MV16**21C*	0.99	0.91
EHD4X36A**	MV16**21C*	1	0.92
EHD4X42A**	MV16**21C*	1.01	0.91
EN(A,D)4X36*21**	MV16**21C*	0.98	0.92
EN(A,D,W)4X42*21**	MV16**21C*	0.99	0.91
ENH4X42*21**	MV16**21C*	0.99	0.91
ENH4X43*21**	MV16**21C*	1.02	0.9
EA*4X42*24A*	MV20**24C*	0.99	0.91
EHD4X36A**	MV20**24C*	1	0.9
EHD4X42A**	MV20**24C*	1.01	0.91
EN(A,D)4X43*24**	MV20**24C*	1.01	0.9
EA*4X36*17A*	NOMV106D12*	0.96	0.92
EHD4X36A**	NOMV106D12*	0.98	0.92
EHD4X42A**	NOMV106D12*	0.99	0.93
EN(A,D)4X37*17**	NOMV106D12*	0.99	0.93
EN(A,D,W)4X36*17**	NOMV106D12*	0.96	0.94
END4X42*17**	NOMV106D12*	0.98	0.96
ENH4X36*17**	NOMV106D12*	0.96	0.94
EA*4X36*21A*	NOMV156E19*	0.97	0.91
EA*4X42*21A*	NOMV156E19*	0.98	0.9
EHD4X36A**	NOMV156E19*	0.99	0.93
EHD4X42A**	NOMV156E19*	0.99	0.93
EN(A,D)4X36*21**	NOMV156E19*	0.96	0.95
EN(A,D,W)4X42*21**	NOMV156E19*	0.98	0.92
ENH4X42*21**	NOMV156E19*	0.98	0.92
ENH4X43*21**	NOMV156E19*	1	0.9
EA*4X36*17A*	OLV098A12A	0.96	0.93
EHD4X36A**	OLV098A12A	0.98	0.94
EHD4X42A**	OLV098A12A	0.99	0.94
EN(A,D)4X37*17**	OLV098A12A	0.99	0.93
EN(A,D,W)4X36*17**	OLV098A12A	0.96	0.93
END4X42*17**	OLV098A12A	0.98	0.94
ENH4X36*17**	OLV098A12A	0.96	0.93
EA*4X36*21A*	OLV112A16A	0.98	0.93
EA*4X42*21A*	OLV112A16A	0.98	0.92
EHD4X36A**	OLV112A16A	0.99	0.93
EHD4X42A**	OLV112A16A	1	0.94
EN(A,D)4X36*21**	OLV112A16A	0.97	0.94
EN(A,D,W)4X42*21**	OLV112A16A	0.98	0.94
ENH4X42*21**	OLV112A16A	0.98	0.94
ENH4X43*21**	OLV112A16A	1.01	0.93
EA*4X42*24A*	OLV154F20A	1	0.92
EHD4X36A**	OLV154F20A	1.01	0.93
EHD4X42A**	OLV154F20A	1.02	0.94
EN(A,D)4X43*24**	OLV154F20A	1.03	0.93
EA*4X36*17A*	OMV098J12A	0.96	0.93
EHD4X36A**	OMV098J12A	0.99	0.94
EHD4X42A**	OMV098J12A	0.99	0.95
EN(A,D)4X37*17**	OMV098J12A	1	0.94
EN(A,D,W)4X36*17**	OMV098J12A	0.96	0.95
END4X42*17**	OMV098J12A	0.98	0.94
ENH4X36*17**	OMV098J12A	0.96	0.95
EA*4X36*17A*	OMV112K14A	0.97	0.93
EHD4X36A**	OMV112K14A	0.99	0.93
EHD4X42A**	OMV112K14A	0.99	0.92
EN(A,D)4X37*17**	OMV112K14A	1	0.92
EN(A,D,W)4X36*17**	OMV112K14A	0.97	0.93
END4X42*17**	OMV112K14A	0.99	0.93

COOLING MULTIPLIERS FOR COMBINATION RATINGS: R4A336A(G)KC* (Cont.)			
Cooling Indoor Model	Furnace Model	Capacity	Power
ENH4X36*17**	OMV112K14A	0.97	0.93
EA*4X42*24A*	OMV154L20A	0.98	0.91
EHD4X36A**	OMV154L20A	0.99	0.92
EHD4X42A**	OMV154L20A	1	0.9
EN(A,D)4X43*24**	OMV154L20A	1.01	0.9
EN(A,D)4X37*17**		1.01	0.99
EN(A,D)4X43*24**		1.01	0.99
ENH4X43*21**		1.01	0.99

EXPANDED COOLING PERFORMANCE RATINGS For Outdoor / Indoor Models

For complete ratings information, use the AHRI website directory search: www.AHRIdirectory.org.
New ratings may be listed online before Specification Sheets are updated.

R4A2342A(G)KA Outdoor Section With ED*4X42J Indoor Section**

EVAPORATOR AIR		CONDENSER ENTERING AIR TEMPERATURES deg F														
		75			85			95			105			115		
		CFM	EWB	Capacity MBtuh		Total System KW	Capacity MBtuh		Total System KW	Capacity MBtuh		Total System KW	Capacity MBtuh		Total System KW	Capacity MBtuh
Total	Sens			Total	Sens		Total	Sens		Total	Sens		Total	Sens		
1225	72	47.32	23.07	2.93	45.27	22.34	3.24	43.09	21.57	3.59	40.81	20.78	3.97	38.34	19.94	4.39
	67	43.40	28.38	2.91	41.49	27.64	3.22	39.48	26.86	3.57	37.36	26.05	3.96	35.09	25.19	4.38
	62	39.84	33.67	2.89	38.12	32.90	3.21	36.33	32.09	3.56	34.46	31.22	3.95	32.57	32.57	4.37
	57	38.78	38.78	2.89	37.38	37.38	3.21	35.89	35.89	3.56	34.30	34.30	3.94	32.59	32.59	4.37
1400	72	48.02	24.09	2.99	45.89	23.35	3.31	43.63	22.57	3.65	41.27	21.77	4.04	38.72	20.92	4.46
	67	44.07	30.05	2.98	42.09	29.29	3.29	40.00	28.50	3.64	37.82	27.69	4.02	35.48	26.83	4.45
	62	40.69	35.98	2.96	38.95	35.17	3.28	37.11	37.11	3.62	35.49	35.49	4.01	33.66	33.66	4.44
	57	40.27	40.27	2.96	38.77	38.77	3.28	37.18	37.18	3.62	35.49	35.49	4.01	33.66	33.66	4.44
1575	72	48.55	25.07	3.06	46.34	24.32	3.37	44.03	23.54	3.72	41.60	22.73	4.10	38.98	21.87	4.52
	67	44.59	31.67	3.04	42.55	30.91	3.36	40.41	30.12	3.70	38.18	29.30	4.09	35.78	28.42	4.51
	62	41.50	41.10	3.03	39.89	39.89	3.35	38.21	38.21	3.69	36.43	36.43	4.08	34.50	34.50	4.51
	57	41.48	41.48	3.03	39.89	39.89	3.35	38.21	38.21	3.69	36.43	36.43	4.08	34.50	34.50	4.51

Total sensible capacities are based on net capacities. Blower heat has been subtracted.

Sensible capacities shown are based on 80° F (27° C) entering air at the indoor coil. For sensible capacities at other than 80° F (27° C), deduct 835 Btuh (245 kW) per 1000 CFM (480 L/S) of indoor coil air for each degree below 80° F (27° C), or add 835 Btuh (245 kW) per 1000 CFM (480 L/S) of indoor coil air per degree above 80° F (27° C).

Detailed cooling and heating capacities are based on indoor and outdoor unit at the same elevation per AHRI standard 210/240 -2008. If additional tubing length is required and/or indoor unit is located above outdoor unit, a slight variation in capacity may occur.

System kw is total of indoor and outdoor unit kilowatts.

COOLING MULTIPLIERS FOR COMBINATION RATINGS: R4A342A(G)KA*

Cooling Indoor Model	Furnace Model	Capacity	Power
ED*4X42J**		1	1
FEM4P42**A*		1.03	1.03
FEM4P48**A*		1.03	1.03
FEM4X42****		0.99	0.94
FEM4X48****		1	0.96
FS(M,U)4P42**A*		1.03	1.03
FS(M,U)4P48**A*		1.03	1.03
FS(M,U)4X42****		0.99	0.99
FS(M,U)4X48****		0.99	0.99
FVM4X36****		1	0.96
FVM4X48****		0.99	0.91
FVM4X60****		1	0.92
FXM4X42**A*		1.04	0.99
FXM4X48**A*		1.05	0.96
FXM4X60**A*		1.06	0.97
EA*4X48*17A*	*8MV*0701412**	1.03	1
EHD4X42A**	*8MV*0701412**	1.03	1.03
EHD4X48A**	*8MV*0701412**	1.03	1.03
END4X42*17**	*8MV*0701412**	1.01	1.01
ENH4X42*21**	*8MV*0701412**	1	1
ENH4X43*21**	*8MV*0701412**	1.03	0.98
ENH4X48*21**	*8MV*0701412**	1.03	1.03
EA*4X42*21A*	*8MV*0901716**	1	0.97
EA*4X48*17A*	*8MV*0901716**	1.03	0.98
EA*4X48*21A*	*8MV*0901716**	1.01	0.97
EHD4X42A**	*8MV*0901716**	1.03	0.98
EHD4X48A**	*8MV*0901716**	1.03	0.98
EN(A,D,W)4X42*21**	*8MV*0901716**	1.01	1.01
EN(A,D,W)4X48*21**	*8MV*0901716**	1.03	0.98
END4X42*17**	*8MV*0901716**	1.03	0.98
ENH4X42*21**	*8MV*0901716**	1.01	1.01
ENH4X43*21**	*8MV*0901716**	1.03	0.94
ENH4X48*21**	*8MV*0901716**	1.03	0.98
EA*4X42*21A*	*8MV*1102120**	1	0.96
EA*4X42*24A*	*8MV*1102120**	1	0.96

COOLING MULTIPLIERS FOR COMBINATION RATINGS: R4A342A(G)KA*			
Cooling Indoor Model	Furnace Model	Capacity	Power
EA*4X48*21A*	*8MV*1102120**	1.01	0.97
EA*4X48*24A*	*8MV*1102120**	1.03	0.98
EHD4X42A**	*8MV*1102120**	1.03	0.98
EHD4X48A**	*8MV*1102120**	1.03	0.98
EN(A,D)4X43*24**	*8MV*1102120**	1.03	0.94
EN(A,D)4X48*24**	*8MV*1102120**	1.03	0.98
EN(A,D,W)4X42*21**	*8MV*1102120**	1.01	1.01
EN(A,D,W)4X48*21**	*8MV*1102120**	1.03	0.98
ENH4X42*21**	*8MV*1102120**	1.01	1.01
ENH4X43*21**	*8MV*1102120**	1.03	0.94
ENH4X48*21**	*8MV*1102120**	1.03	0.98
EA*4X42*24A*	*8MV*1352422**	1	0.96
EA*4X48*24A*	*8MV*1352422**	1.03	0.96
EHD4X42A**	*8MV*1352422**	1.03	0.94
EHD4X48A**	*8MV*1352422**	1.03	0.94
EN(A,D)4X43*24**	*8MV*1352422**	1.03	0.94
EN(A,D)4X48*24**	*8MV*1352422**	1.03	0.94
ENH4X42*21**	*8MV*1352422**	1.01	0.97
ENH4X43*21**	*8MV*1352422**	1.03	0.94
ENH4X48*21**	*8MV*1352422**	1.03	0.94
EA*4X42*21A*	*8MX*0701716**	1	1
EA*4X48*17A*	*8MX*0701716**	1.03	1.01
EA*4X48*21A*	*8MX*0701716**	1.01	1.01
EHD4X42A**	*8MX*0701716**	1.03	1.03
EHD4X48A**	*8MX*0701716**	1.03	1.03
EN(A,D,W)4X42*21**	*8MX*0701716**	1	1
EN(A,D,W)4X48*21**	*8MX*0701716**	1.03	1.03
END4X42*17**	*8MX*0701716**	1.03	1.03
ENH4X42*21**	*8MX*0701716**	1	1
ENH4X43*21**	*8MX*0701716**	1.03	1.03
ENH4X48*21**	*8MX*0701716**	1.03	1.03
EA*4X42*21A*	*8MX*0902116**	1	0.96
EA*4X42*24A*	*8MX*0902116**	1	0.96
EA*4X48*21A*	*8MX*0902116**	1.03	0.98
EA*4X48*24A*	*8MX*0902116**	1.03	0.98
EHD4X42A**	*8MX*0902116**	1.03	0.98
EHD4X48A**	*8MX*0902116**	1.03	0.95
EN(A,D)4X43*24**	*8MX*0902116**	1.03	0.94
EN(A,D)4X48*24**	*8MX*0902116**	1.03	0.98
EN(A,D,W)4X42*21**	*8MX*0902116**	1.01	0.97
EN(A,D,W)4X48*21**	*8MX*0902116**	1.03	0.98
ENH4X42*21**	*8MX*0902116**	1.01	0.97
ENH4X43*21**	*8MX*0902116**	1.03	0.94
ENH4X48*21**	*8MX*0902116**	1.03	0.98
EA*4X42*21A*	*8MX*1102120**	1.01	0.97
EA*4X42*24A*	*8MX*1102120**	1.01	0.97
EA*4X48*21A*	*8MX*1102120**	1.03	0.96
EA*4X48*24A*	*8MX*1102120**	1.03	0.96
EHD4X42A**	*8MX*1102120**	1.03	0.94
EHD4X48A**	*8MX*1102120**	1.03	0.94
EN(A,D)4X43*24**	*8MX*1102120**	1.03	0.94
EN(A,D)4X48*24**	*8MX*1102120**	1.03	0.94
EN(A,D,W)4X42*21**	*8MX*1102120**	1.01	0.97
EN(A,D,W)4X48*21**	*8MX*1102120**	1.03	0.94
ENH4X42*21**	*8MX*1102120**	1.01	0.97
ENH4X43*21**	*8MX*1102120**	1.03	0.94
ENH4X48*21**	*8MX*1102120**	1.03	0.94
EA*4X42*24A*	*8MX*1352420**	1.01	0.97
EA*4X48*24A*	*8MX*1352420**	1.03	0.96
EHD4X42A**	*8MX*1352420**	1.03	0.98
EHD4X48A**	*8MX*1352420**	1.03	0.95
EN(A,D)4X43*24**	*8MX*1352420**	1.03	0.94
EN(A,D)4X48*24**	*8MX*1352420**	1.03	0.95
ENH4X42*21**	*8MX*1352420**	1.01	0.97
ENH4X43*21**	*8MX*1352420**	1.03	0.94
ENH4X48*21**	*8MX*1352420**	1.03	0.95

COOLING MULTIPLIERS FOR COMBINATION RATINGS: R4A342A(G)KA*			
Cooling Indoor Model	Furnace Model	Capacity	Power
ED*4X42F**	*9MA*0601714A**	0.99	0.99
ED*4X48F**	*9MA*0601714A**	1.01	0.99
EHD4X42A**	*9MA*0601714A**	1.01	0.99
EHD4X48A**	*9MA*0601714A**	1.01	0.99
EN(A,D,W)4X42*21**	*9MA*0601714A**	0.99	0.99
EN(A,D,W)4X48*21**	*9MA*0601714A**	1	0.98
END4X42*17**	*9MA*0601714A**	1	1
ENH4X42*21**	*9MA*0601714A**	0.99	0.99
ENH4X43*21**	*9MA*0601714A**	1.03	1.01
ENH4X48*21**	*9MA*0601714A**	1	0.98
EA*4X42*21A*	*9MA*0602120A**	0.99	0.97
EA*4X42*24A*	*9MA*0602120A**	0.99	0.96
EA*4X48*21A*	*9MA*0602120A**	1	0.97
EA*4X48*24A*	*9MA*0602120A**	1.01	0.99
ED*4X42F**	*9MA*0602120A**	0.99	0.97
ED*4X42J**	*9MA*0602120A**	0.99	0.97
ED*4X42L**	*9MA*0602120A**	0.99	0.96
ED*4X48F**	*9MA*0602120A**	1.01	0.99
ED*4X48J**	*9MA*0602120A**	1	0.97
ED*4X48L**	*9MA*0602120A**	1.01	0.99
EHD4X42A**	*9MA*0602120A**	1.01	0.99
EHD4X48A**	*9MA*0602120A**	1.01	0.99
EN(A,D)4X43*24**	*9MA*0602120A**	1.03	0.98
EN(A,D)4X48*24**	*9MA*0602120A**	1.01	0.99
EN(A,D,W)4X42*21**	*9MA*0602120A**	0.99	0.97
EN(A,D,W)4X48*21**	*9MA*0602120A**	1.01	0.99
ENH4X42*21**	*9MA*0602120A**	0.99	0.97
ENH4X43*21**	*9MA*0602120A**	1.03	0.98
ENH4X48*21**	*9MA*0602120A**	1.01	0.99
EA*4X42*21A*	*9MA*0801714A**	0.99	0.97
EA*4X48*17A*	*9MA*0801714A**	1.01	0.98
EA*4X48*21A*	*9MA*0801714A**	1	0.98
ED*4X42F**	*9MA*0801714A**	0.99	0.99
ED*4X48F**	*9MA*0801714A**	1.01	0.98
EHD4X42A**	*9MA*0801714A**	1.01	0.98
EHD4X48A**	*9MA*0801714A**	1.01	0.98
EN(A,D,W)4X42*21**	*9MA*0801714A**	0.99	0.99
EN(A,D,W)4X48*21**	*9MA*0801714A**	1.01	0.98
END4X42*17**	*9MA*0801714A**	1	0.98
ENH4X42*21**	*9MA*0801714A**	0.99	0.99
ENH4X43*21**	*9MA*0801714A**	1.03	0.99
ENH4X48*21**	*9MA*0801714A**	1.01	0.98
EA*4X42*21A*	*9MA*0802120A**	0.99	0.96
EA*4X42*24A*	*9MA*0802120A**	1	0.96
EA*4X48*21A*	*9MA*0802120A**	1.01	0.97
EA*4X48*24A*	*9MA*0802120A**	1.01	0.97
ED*4X42F**	*9MA*0802120A**	0.99	0.96
ED*4X42J**	*9MA*0802120A**	0.99	0.96
ED*4X42L**	*9MA*0802120A**	1	0.96
ED*4X48F**	*9MA*0802120A**	1.01	0.97
ED*4X48J**	*9MA*0802120A**	1.01	0.97
ED*4X48L**	*9MA*0802120A**	1.01	0.97
EHD4X42A**	*9MA*0802120A**	1.01	0.97
EHD4X48A**	*9MA*0802120A**	1.03	0.98
EN(A,D)4X43*24**	*9MA*0802120A**	1.03	0.96
EN(A,D)4X48*24**	*9MA*0802120A**	1.01	0.97
EN(A,D,W)4X42*21**	*9MA*0802120A**	1	0.97
EN(A,D,W)4X48*21**	*9MA*0802120A**	1.01	0.97
ENH4X42*21**	*9MA*0802120A**	1	0.97
ENH4X43*21**	*9MA*0802120A**	1.03	0.96
ENH4X48*21**	*9MA*0802120A**	1.01	0.97
EA*4X42*21A*	*9MA*1002122A**	1	0.96
EA*4X42*24A*	*9MA*1002122A**	1	0.96
EA*4X48*21A*	*9MA*1002122A**	1.03	0.98
EA*4X48*24A*	*9MA*1002122A**	1.03	0.96
ED*4X42F**	*9MA*1002122A**	1	0.97

COOLING MULTIPLIERS FOR COMBINATION RATINGS: R4A342A(G)KA*			
Cooling Indoor Model	Furnace Model	Capacity	Power
EA*4X42*21A*	*9MA*0601714A**	0.99	0.99
EA*4X48*17A*	*9MA*0601714A**	1.01	0.99
EA*4X48*21A*	*9MA*0601714A**	1	1
ED*4X42J**	*9MA*1002122A**	1	0.96
ED*4X42L**	*9MA*1002122A**	1	0.96
ED*4X48F**	*9MA*1002122A**	1.03	0.96
ED*4X48J**	*9MA*1002122A**	1.03	0.98
ED*4X48L**	*9MA*1002122A**	1.03	0.96
EHD4X42A**	*9MA*1002122A**	1.03	0.96
EHD4X48A**	*9MA*1002122A**	1.03	0.96
EN(A,D)4X43*24**	*9MA*1002122A**	1.04	0.98
EN(A,D)4X48*24**	*9MA*1002122A**	1.03	0.96
EN(A,D,W)4X42*21**	*9MA*1002122A**	1	0.97
EN(A,D,W)4X48*21**	*9MA*1002122A**	1.03	0.96
ENH4X42*21**	*9MA*1002122A**	1	0.97
ENH4X43*21**	*9MA*1002122A**	1.04	0.98
ENH4X48*21**	*9MA*1002122A**	1.03	0.96
EA*4X42*24A*	*9MA*1202422A**	1	0.96
EA*4X48*24A*	*9MA*1202422A**	1.01	0.97
ED*4X42J**	*9MA*1202422A**	1	0.96
ED*4X42L**	*9MA*1202422A**	1	0.96
ED*4X48J**	*9MA*1202422A**	1.01	0.97
ED*4X48L**	*9MA*1202422A**	1.01	0.97
EHD4X42A**	*9MA*1202422A**	1.01	0.97
EHD4X48A**	*9MA*1202422A**	1.03	0.98
EN(A,D)4X43*24**	*9MA*1202422A**	1.03	0.96
EN(A,D)4X48*24**	*9MA*1202422A**	1.01	0.97
ENH4X42*21**	*9MA*1202422A**	1	0.96
ENH4X43*21**	*9MA*1202422A**	1.03	0.96
ENH4X48*21**	*9MA*1202422A**	1.01	0.97
EA*4X42*21A*	*9MV*0802120A**	1	0.97
EA*4X42*24A*	*9MV*0802120A**	1	0.97
EA*4X48*21A*	*9MV*0802120A**	1.01	0.97
EA*4X48*24A*	*9MV*0802120A**	1.03	0.98
ED*4X42F**	*9MV*0802120A**	1	0.97
ED*4X42J**	*9MV*0802120A**	1	0.97
ED*4X42L**	*9MV*0802120A**	1	0.97
ED*4X48F**	*9MV*0802120A**	1.03	0.98
ED*4X48J**	*9MV*0802120A**	1.01	0.97
ED*4X48L**	*9MV*0802120A**	1.03	0.98
EHD4X42A**	*9MV*0802120A**	1.03	0.98
EHD4X48A**	*9MV*0802120A**	1.03	0.98
EN(A,D)4X43*24**	*9MV*0802120A**	1.04	0.98
EN(A,D)4X48*24**	*9MV*0802120A**	1.03	0.98
EN(A,D,W)4X42*21**	*9MV*0802120A**	1	0.97
EN(A,D,W)4X48*21**	*9MV*0802120A**	1.03	0.98
ENH4X42*21**	*9MV*0802120A**	1	0.97
ENH4X43*21**	*9MV*0802120A**	1.04	0.98
ENH4X48*21**	*9MV*0802120A**	1.03	0.98
EA*4X42*21A*	*9MV*1002120A**	1	0.96
EA*4X42*24A*	*9MV*1002120A**	1	0.96
EA*4X48*21A*	*9MV*1002120A**	1.01	0.97
EA*4X48*24A*	*9MV*1002120A**	1.03	0.96
ED*4X42F**	*9MV*1002120A**	1	0.97
ED*4X42J**	*9MV*1002120A**	1	0.96
ED*4X42L**	*9MV*1002120A**	1	0.96
ED*4X48F**	*9MV*1002120A**	1.03	0.96
ED*4X48J**	*9MV*1002120A**	1.01	0.97
ED*4X48L**	*9MV*1002120A**	1.03	0.96
EHD4X42A**	*9MV*1002120A**	1.03	0.96
EHD4X48A**	*9MV*1002120A**	1.03	0.96
EN(A,D)4X43*24**	*9MV*1002120A**	1.04	0.98
EN(A,D)4X48*24**	*9MV*1002120A**	1.03	0.96
EN(A,D,W)4X42*21**	*9MV*1002120A**	1	0.97
EN(A,D,W)4X48*21**	*9MV*1002120A**	1.03	0.96
ENH4X42*21**	*9MV*1002120A**	1	0.97

COOLING MULTIPLIERS FOR COMBINATION RATINGS: R4A342A(G)KA*			
Cooling Indoor Model	Furnace Model	Capacity	Power
EA*4X48*17A*	*9MX*0601714A**	1.03	1.01
EA*4X48*21A*	*9MX*0601714A**	1.01	1.01
ED*4X42F**	*9MX*0601714A**	1	1
ED*4X48F**	*9MX*0601714A**	1.03	1.01
EHD4X42A**	*9MX*0601714A**	1.03	1.01
EHD4X48A**	*9MX*0601714A**	1.03	1.01
EN(A,D,W)4X42*21**	*9MX*0601714A**	1	1
EN(A,D,W)4X48*21**	*9MX*0601714A**	1.01	0.99
END4X42*17**	*9MX*0601714A**	1	1
ENH4X42*21**	*9MX*0601714A**	1	1
ENH4X43*21**	*9MX*0601714A**	1.03	1.01
ENH4X48*21**	*9MX*0601714A**	1.01	0.99
EA*4X42*21A*	*9MX*0801716A**	1	1
EA*4X48*17A*	*9MX*0801716A**	1.03	1.01
EA*4X48*21A*	*9MX*0801716A**	1.01	1.01
ED*4X42F**	*9MX*0801716A**	1	1
ED*4X48F**	*9MX*0801716A**	1.03	1.01
EHD4X42A**	*9MX*0801716A**	1.03	1.01
EHD4X48A**	*9MX*0801716A**	1.03	1.01
EN(A,D,W)4X42*21**	*9MX*0801716A**	1	1
EN(A,D,W)4X48*21**	*9MX*0801716A**	1.03	1.01
END4X42*17**	*9MX*0801716A**	1.01	1.01
ENH4X42*21**	*9MX*0801716A**	1	1
ENH4X43*21**	*9MX*0801716A**	1.04	1.02
ENH4X48*21**	*9MX*0801716A**	1.03	1.01
EA*4X42*21A*	*9MX*0802120A**	1.01	0.99
EA*4X42*24A*	*9MX*0802120A**	1.01	0.99
EA*4X48*21A*	*9MX*0802120A**	1.03	0.98
EA*4X48*24A*	*9MX*0802120A**	1.03	0.98
ED*4X42F**	*9MX*0802120A**	1	0.97
ED*4X42J**	*9MX*0802120A**	1.01	0.99
ED*4X42L**	*9MX*0802120A**	1.01	0.99
ED*4X48F**	*9MX*0802120A**	1.03	0.98
ED*4X48J**	*9MX*0802120A**	1.03	0.98
ED*4X48L**	*9MX*0802120A**	1.03	0.98
EHD4X42A**	*9MX*0802120A**	1.03	0.98
EHD4X48A**	*9MX*0802120A**	1.04	0.99
EN(A,D)4X43*24**	*9MX*0802120A**	1.05	0.99
EN(A,D)4X48*24**	*9MX*0802120A**	1.03	0.98
EN(A,D,W)4X42*21**	*9MX*0802120A**	1	0.97
EN(A,D,W)4X48*21**	*9MX*0802120A**	1.03	0.98
ENH4X42*21**	*9MX*0802120A**	1	0.97
ENH4X43*21**	*9MX*0802120A**	1.04	0.98
ENH4X48*21**	*9MX*0802120A**	1.03	0.98
EA*4X42*21A*	*9MX*1002120A**	1	0.96
EA*4X42*24A*	*9MX*1002120A**	1	0.96
EA*4X48*21A*	*9MX*1002120A**	1.01	0.97
EA*4X48*24A*	*9MX*1002120A**	1.03	0.98
ED*4X42F**	*9MX*1002120A**	1	0.97
ED*4X42J**	*9MX*1002120A**	1	0.96
ED*4X42L**	*9MX*1002120A**	1	0.96
ED*4X48F**	*9MX*1002120A**	1.03	0.98
ED*4X48J**	*9MX*1002120A**	1.01	0.97
ED*4X48L**	*9MX*1002120A**	1.03	0.98
EHD4X42A**	*9MX*1002120A**	1.03	0.98
EHD4X48A**	*9MX*1002120A**	1.03	0.96
EN(A,D)4X43*24**	*9MX*1002120A**	1.04	0.98
EN(A,D)4X48*24**	*9MX*1002120A**	1.03	0.96
EN(A,D,W)4X42*21**	*9MX*1002120A**	1	0.97
EN(A,D,W)4X48*21**	*9MX*1002120A**	1.03	0.96
ENH4X42*21**	*9MX*1002120A**	1	0.97
ENH4X43*21**	*9MX*1002120A**	1.04	0.98
ENH4X48*21**	*9MX*1002120A**	1.03	0.96
EA*4X42*24A*	*9MX*1202422A**	1.01	0.98
EA*4X48*24A*	*9MX*1202422A**	1.03	0.98
ED*4X42J**	*9MX*1202422A**	1.01	0.98

COOLING MULTIPLIERS FOR COMBINATION RATINGS: R4A342A(G)KA*			
Cooling Indoor Model	Furnace Model	Capacity	Power
ENH4X43*21**	*9MV*1002120A**	1.04	0.98
ENH4X48*21**	*9MV*1002120A**	1.03	0.96
EA*4X42*21A*	*9MX*0601714A**	1	1
ED*4X42L**	*9MX*1202422A**	1.01	0.98
ED*4X48J**	*9MX*1202422A**	1.03	0.99
ED*4X48L**	*9MX*1202422A**	1.03	0.98
EHD4X42A**	*9MX*1202422A**	1.04	0.99
EHD4X48A**	*9MX*1202422A**	1.04	0.99
EN(A,D)4X43*24**	*9MX*1202422A**	1.05	0.98
EN(A,D)4X48*24**	*9MX*1202422A**	1.04	0.99
ENH4X42*21**	*9MX*1202422A**	1.01	0.98
ENH4X43*21**	*9MX*1202422A**	1.05	1
ENH4X48*21**	*9MX*1202422A**	1.04	0.99
EA*4X42*21A*	MV12**17C*	1	0.96
EA*4X48*17A*	MV12**17C*	1.04	0.99
EA*4X48*21A*	MV12**17C*	1.03	0.98
EA*4X60*21A*	MV12**17C*	1.04	0.98
EHD4X42A**	MV12**17C*	1.03	0.98
EHD4X48A**	MV12**17C*	1.04	0.98
EHD4X60A**	MV12**17C*	1.05	0.99
EN(A,D,W)4X42*21**	MV12**17C*	1.01	0.99
EN(A,D,W)4X48*21**	MV12**17C*	1.03	0.96
END4X42*17**	MV12**17C*	1.01	0.97
ENH4X42*21**	MV12**17C*	1.01	0.99
ENH4X43*21**	MV12**17C*	1.04	0.98
ENH4X48*21**	MV12**17C*	1.03	0.96
EA*4X42*21A*	MV16**21C*	1.01	0.97
EA*4X42*24A*	MV16**21C*	1.01	0.97
EA*4X48*21A*	MV16**21C*	1.03	0.96
EA*4X48*24A*	MV16**21C*	1.03	0.96
EA*4X60*21A*	MV16**21C*	1.05	0.99
EA*4X60*24A*	MV16**21C*	1.05	0.99
EHD4X42A**	MV16**21C*	1.04	0.98
EHD4X48A**	MV16**21C*	1.04	0.98
EHD4X60A**	MV16**21C*	1.05	0.96
EN(A,D)4X43*24**	MV16**21C*	1.05	0.96
EN(A,D)4X48*24**	MV16**21C*	1.03	0.96
EN(A,D)4X61*24**	MV16**21C*	1.06	0.97
EN(A,D,W)4X42*21**	MV16**21C*	1.01	0.97
EN(A,D,W)4X48*21**	MV16**21C*	1.03	0.96
EN(A,D,W)4X60*24**	MV16**21C*	1.05	0.96
ENH4X42*21**	MV16**21C*	1.01	0.97
ENH4X43*21**	MV16**21C*	1.04	0.98
ENH4X48*21**	MV16**21C*	1.03	0.96
ENH4X60*24**	MV16**21C*	1.05	0.96
ENH4X61*24**	MV16**21C*	1.05	0.96
EA*4X42*24A*	MV20**24C*	1	0.96
EA*4X48*24A*	MV20**24C*	1.03	0.96
EA*4X60*24A*	MV20**24C*	1.04	0.95
EHD4X42A**	MV20**24C*	1.03	0.96
EHD4X48A**	MV20**24C*	1.04	0.98
EHD4X60A**	MV20**24C*	1.05	0.96
EN(A,D)4X43*24**	MV20**24C*	1.04	0.95
EN(A,D)4X48*24**	MV20**24C*	1.03	0.96
EN(A,D)4X61*24**	MV20**24C*	1.05	0.96
EN(A,D,W)4X60*24**	MV20**24C*	1.04	0.95
ENH4X60*24**	MV20**24C*	1.04	0.95
ENH4X61*24**	MV20**24C*	1.05	0.96
EHD4X42A**	NOMV156E19*	1.03	0.98
EHD4X48A**	NOMV156E19*	1.03	0.98
EN(A,D)4X43*24**	NOMV156E19*	1.03	0.94
EN(A,D)4X48*24**	NOMV156E19*	1.03	0.98
EN(A,D,W)4X42*21**	NOMV156E19*	1	1
EN(A,D,W)4X48*21**	NOMV156E19*	1.03	0.98
ENH4X42*21**	NOMV156E19*	1	1
ENH4X43*21**	NOMV156E19*	1.03	0.94

COOLING MULTIPLIERS FOR COMBINATION RATINGS: R4A342A(G)KA*			
Cooling Indoor Model	Furnace Model	Capacity	Power
ED*4X48F**	*8MPV075	0.98	0.93
EHD4X42A**	*8MPV075	0.98	0.93
EHD4X48A**	*8MPV075	0.98	0.93
EHD4X48A**	*8MPV075	0.98	0.93
EN(A,D,W)4X42*21**	*8MPV075	1.01	1.01
EN(A,D,W)4X48*21**	*8MPV075	1.03	1.03
ENH4X42*21**	*8MPV075	1.01	1.01
ENH4X43*21**	*8MPV075	1.03	0.98
ENH4X48*21**	*8MPV075	1.03	1.03
ED*4X42J**	*8MPV100	0.98	0.93
ED*4X48J**	*8MPV100	0.99	0.94
EHD4X42A**	*8MPV100	0.98	0.89
EHD4X48A**	*8MPV100	0.98	0.93
EN(A,D)4X43*24**	*8MPV100	1.03	0.94
EN(A,D)4X48*24**	*8MPV100	1.03	0.98
ENH4X42*21**	*8MPV100	1.03	1.03
ENH4X43*21**	*8MPV100	1.03	0.94
ENH4X48*21**	*8MPV100	1.03	0.98
ED*4X42J**	*8MPV125	0.98	0.93
ED*4X48J**	*8MPV125	0.99	0.94
EHD4X42A**	*8MPV125	0.98	0.89
EHD4X48A**	*8MPV125	0.98	0.89
EN(A,D)4X43*24**	*8MPV125	1.03	0.94
EN(A,D)4X48*24**	*8MPV125	1.03	0.95
ENH4X42*21**	*8MPV125	1.03	0.98
ENH4X43*21**	*8MPV125	1.03	0.94
ENH4X48*21**	*8MPV125	1.03	0.95
EA*4X42*21A*	*9MA*1002120A**	0.99	0.95
EA*4X42*24A*	*9MA*1002120A**	0.99	0.95
EA*4X48*21A*	*9MA*1002120A**	1.01	0.98
EA*4X48*24A*	*9MA*1002120A**	1.01	0.98
ED*4X42F**	*9MA*1002120A**	0.99	0.97
ED*4X42J**	*9MA*1002120A**	0.99	0.95
ED*4X42L**	*9MA*1002120A**	0.99	0.95
ED*4X48F**	*9MA*1002120A**	1.01	0.98
ED*4X48J**	*9MA*1002120A**	1.01	0.98
ED*4X48L**	*9MA*1002120A**	1.01	0.98
EHD4X42A**	*9MA*1002120A**	1.01	0.98
EHD4X48A**	*9MA*1002120A**	1.03	0.99
EN(A,D)4X43*24**	*9MA*1002120A**	1.03	0.98
EN(A,D)4X48*24**	*9MA*1002120A**	1.01	0.98
EN(A,D,W)4X42*21**	*9MA*1002120A**	1	0.98
EN(A,D,W)4X48*21**	*9MA*1002120A**	1.01	0.98
ENH4X42*21**	*9MA*1002120A**	1	0.98
ENH4X43*21**	*9MA*1002120A**	1.03	0.98
ENH4X48*21**	*9MA*1002120A**	1.01	0.98
ED*4X42F**	*9MPV075	1	1
ED*4X48F**	*9MPV075	1	1
ED*4X48F**	*9MPV075	1	1
EHD4X42A**	*9MPV075	1	1
EHD4X42A**	*9MPV075	1	1
EHD4X48A**	*9MPV075	1.01	1.01
ED*4X42J**	*9MPV100	0.98	0.93
ED*4X48J**	*9MPV100	0.98	0.93
EHD4X42A**	*9MPV100	0.98	0.93
EHD4X48A**	*9MPV100	0.98	0.93
ED*4X42L**	*9MPV125	0.98	0.93
ED*4X48L**	*9MPV125	0.98	0.93
EHD4X42A**	*9MPV125	0.98	0.93
EHD4X48A**	*9MPV125	0.98	0.93
ED*4X42F**	*9MVX060	1	1
ED*4X48F**	*9MVX060	1	1
ED*4X48F**	*9MVX060	1	1
EHD4X42A**	*9MVX060	1	1
EHD4X42A**	*9MVX060	1	1
EHD4X48A**	*9MVX060	0.98	0.98

COOLING MULTIPLIERS FOR COMBINATION RATINGS: R4A342A(G)KA*			
Cooling Indoor Model	Furnace Model	Capacity	Power
ENH4X48*21**	NOMV156E19*	1.03	0.98
ED*4X42F**	*8MPV075	1	1
ED*4X42F**	*8MPV075	1	1
ED*4X42J**	*9MVX080	0.98	0.98
ED*4X48J**	*9MVX080	0.98	0.98
EHD4X42A**	*9MVX080	0.98	0.98
EHD4X48A**	*9MVX080	0.98	0.98
ED*4X42L**	*9MVX100	0.98	0.98
ED*4X48L**	*9MVX100	1.01	0.97
EHD4X42A**	*9MVX100	0.98	0.98
EHD4X48A**	*9MVX100	0.98	0.89
EA*4X42*21A*	*9MX*1002116A**	1	0.98
EA*4X42*24A*	*9MX*1002116A**	1	0.98
EA*4X48*21A*	*9MX*1002116A**	1.01	0.98
EA*4X48*24A*	*9MX*1002116A**	1.01	0.98
ED*4X42F**	*9MX*1002116A**	1	0.98
ED*4X42J**	*9MX*1002116A**	1	0.98
ED*4X42L**	*9MX*1002116A**	1	0.98
ED*4X48F**	*9MX*1002116A**	1.03	0.99
ED*4X48J**	*9MX*1002116A**	1.01	0.98
ED*4X48L**	*9MX*1002116A**	1.01	0.98
EHD4X42A**	*9MX*1002116A**	1.01	0.98
EHD4X48A**	*9MX*1002116A**	1.03	0.99
EN(A,D)4X43*24**	*9MX*1002116A**	1.04	1
EN(A,D)4X48*24**	*9MX*1002116A**	1.01	0.98
EN(A,D,W)4X42*21**	*9MX*1002116A**	1	0.98
EN(A,D,W)4X48*21**	*9MX*1002116A**	1.01	0.98
ENH4X42*21**	*9MX*1002116A**	1	0.98
ENH4X43*21**	*9MX*1002116A**	1.03	0.99
ENH4X48*21**	*9MX*1002116A**	1.01	0.98
ED*4X42F**	MV12F19**B*	0.98	0.89
ED*4X48F**	MV12F19**B*	0.98	0.89
EHD4X42A**	MV12F19**B*	0.98	0.89
EHD4X48A**	MV12F19**B*	0.98	0.89
EN(A,D,W)4X42*21**	MV12F19**B*	1.03	0.98
EN(A,D,W)4X48*21**	MV12F19**B*	1.03	0.94
ENH4X42*21**	MV12F19**B*	1.03	0.98
ENH4X43*21**	MV12F19**B*	1.03	0.94
ENH4X48*21**	MV12F19**B*	1.03	0.94
ED*4X42J**	MV16J22**B*	0.98	0.89
ED*4X48J**	MV16J22**B*	0.98	0.89
EHD4X42A**	MV16J22**B*	0.98	0.89
EHD4X48A**	MV16J22**B*	0.98	0.89
EN(A,D)4X43*24**	MV16J22**B*	1.03	0.94
EN(A,D)4X48*24**	MV16J22**B*	1.03	0.94
ENH4X42*21**	MV16J22**B*	1.03	0.94
ENH4X43*21**	MV16J22**B*	1.03	0.94
ENH4X48*21**	MV16J22**B*	1.03	0.94
ED*4X42L**	MV20L24**B*	0.98	0.89
ED*4X48L**	MV20L24**B*	0.98	0.89
EHD4X42A**	MV20L24**B*	0.98	0.89
EHD4X48A**	MV20L24**B*	0.98	0.89
EN(A,D)4X43*24**	MV20L24**B*	1.03	0.94
EN(A,D)4X48*24**	MV20L24**B*	1.03	0.94
ENH4X42*21**	MV20L24**B*	1.03	0.94
ENH4X43*21**	MV20L24**B*	1.03	0.94
ENH4X48*21**	MV20L24**B*	1.03	0.94
EA*4X42*21A*		1.01	1.05
EA*4X42*21A*		1.01	1.05
EA*4X42*24A*		1.01	1.05
EA*4X42*24A*		1.01	1.05
EA*4X48*17A*		1.04	1.04
EA*4X48*17A*		1.04	1.04
EA*4X48*21A*		1.03	1.04
EA*4X48*21A*		1.03	1.04
EA*4X48*24A*		1.03	1.04

COOLING MULTIPLIERS FOR COMBINATION RATINGS: R4A342A(G)KA*			
Cooling Indoor Model	Furnace Model	Capacity	Power
EA*4X48*24A*		1.03	1.04
EA*4X60*21A*		1.05	1.05
EA*4X60*24A*		1.05	1.05
ED*4X42F**		0.98	0.98
ED*4X42L**		0.99	0.99
ED*4X48F**		0.99	0.99
ED*4X48J**		0.99	0.99
ED*4X48L**		0.99	0.99
EHD4X42A**		0.98	0.98
EHD4X48A**		0.99	0.99
EMA4X48D**		0.99	0.99
EN(A,D)4X43*24**		1.03	1.03
EN(A,D)4X48*24**		1.03	1.03
EN(A,D,W)4X42*21**		1.03	1.03
EN(A,D,W)4X48*21**		1.03	1.03
END4X42*17**		1.03	1.03
ENH4X42*21**		1.03	1.03
ENH4X43*21**		1.03	1.03
ENH4X48*21**		1.03	1.03

EXPANDED COOLING PERFORMANCE RATINGS For Outdoor / Indoor Models

For complete ratings information, use the AHRI website directory search: www.AHRIdirectory.org.
New ratings may be listed online before Specification Sheets are updated.

R4A348A(G)KC Outdoor Section With EA*4X4821A* Indoor Section

EVAPORATOR AIR		CONDENSER ENTERING AIR TEMPERATURES deg F														
		75			85			95			105			115		
CFM	EWB	Capacity MBtuh		Total System KW	Capacity MBtuh		Total System KW	Capacity MBtuh		Total System KW	Capacity MBtuh		Total System KW	Capacity MBtuh		Total System KW
		Total	Sens		Total	Sens		Total	Sens		Total	Sens		Total	Sens	
1400	72	54.01	27.69	3.30	51.69	26.84	3.66	49.23	25.94	4.07	46.64	25.01	4.51	43.86	24.02	5.00
	67	49.29	34.09	3.29	47.12	33.21	3.66	44.84	32.30	4.06	42.43	31.34	4.51	39.86	30.34	5.00
	62	45.06	40.45	3.29	43.09	39.53	3.65	41.04	38.56	4.06	38.94	38.75	4.50	36.99	36.99	5.00
	57	44.01	44.01	3.29	42.41	42.41	3.65	40.72	40.72	4.06	38.92	38.92	4.50	37.00	37.00	5.00
1600	72	54.89	29.01	3.38	52.49	28.15	3.74	49.94	27.24	4.14	47.25	26.30	4.59	44.37	25.30	5.08
	67	50.13	36.22	3.37	47.88	35.33	3.73	45.50	34.40	4.14	43.01	33.44	4.58	40.37	32.43	5.07
	62	46.06	43.32	3.36	44.09	43.69	3.73	42.23	42.23	4.13	40.32	40.32	4.58	38.27	38.27	5.07
	57	45.73	45.73	3.36	44.03	44.03	3.73	42.23	42.23	4.13	40.32	40.32	4.58	38.27	38.27	5.07
1800	72	55.53	30.25	3.46	53.06	29.38	3.82	50.44	28.46	4.22	47.68	27.51	4.67	44.72	26.50	5.15
	67	50.74	38.24	3.45	48.42	37.35	3.81	45.99	36.41	4.21	43.44	35.44	4.66	40.73	34.40	5.15
	62	47.13	47.13	3.44	45.35	45.35	3.81	43.45	43.45	4.21	41.44	41.44	4.66	39.29	39.29	5.15
	57	47.15	47.15	3.44	45.35	45.35	3.81	43.46	43.46	4.21	41.45	41.45	4.66	39.29	39.29	5.15

Total sensible capacities are based on net capacities. Blower heat has been subtracted.

Sensible capacities shown are based on 80° F (27° C) entering air at the indoor coil. For sensible capacities at other than 80° F (27° C), deduct 835 Btuh (245 kW) per 1000 CFM (480 L/S) of indoor coil air for each degree below 80° F (27° C), or add 835 Btuh (245 kW) per 1000 CFM (480 L/S) of indoor coil air per degree above 80° F (27° C).

Detailed cooling and heating capacities are based on indoor and outdoor unit at the same elevation per AHRI standard 210/240 -2008. If additional tubing length is required and/or indoor unit is located above outdoor unit, a slight variation in capacity may occur.

System kw is total of indoor and outdoor unit kilowatts.

COOLING MULTIPLIERS FOR COMBINATION RATINGS: R4A348A(G)KC*

Cooling Indoor Model	Furnace Model	Capacity	Power
EA*4X48*21A*		1	1
FCM4X48****		1	0.94
FCM4X60****		1.01	0.91
FEM4P48**A*		1	1
FEM4X48**A*		1.01	0.97
FEM4X60**A*		1.02	0.96
FEM4X60**B*		1.01	0.97
FS(M,U)4P48**A*		1.01	1.01
FS(M,U)4X60**A*		1.01	1.01
FVM4X48****		1.01	0.97
FVM4X60****		1.01	0.93
FXM4X48**A*		1.02	0.98
FXM4X60**A*		1.03	0.95
EA*4X48*17A*	*8MV*0901716**	0.99	0.97
EHD4X48A**	*8MV*0901716**	1	1
EHD4X60A**	*8MV*0901716**	1	0.96
EA*4X48*21A*	*8MV*1102120**	0.99	0.97
EA*4X60*21A*	*8MV*1102120**	1.01	0.97
EHD4X48A**	*8MV*1102120**	1	1
EHD4X60A**	*8MV*1102120**	1.01	0.97
EN(A,D,W)4X48*21**	*8MV*1102120**	0.99	0.99
ENH4X48*21**	*8MV*1102120**	0.99	0.99
EA*4X48*24A*	*8MV*1352422**	0.99	0.96
EA*4X60*24A*	*8MV*1352422**	1.01	0.95
EHD4X48A**	*8MV*1352422**	1	0.96
EHD4X60A**	*8MV*1352422**	1.01	0.93
EN(A,D)4X48*24**	*8MV*1352422**	0.99	0.95
EN(A,D)4X61*24**	*8MV*1352422**	1.01	0.93
EN(A,D,W)4X60*24**	*8MV*1352422**	1.01	0.97
ENH4X60*24**	*8MV*1352422**	1.01	0.97
ENH4X61*24**	*8MV*1352422**	1.01	0.97
EA*4X48*21A*	*8MX*0902116**	0.99	0.97
EA*4X60*21A*	*8MX*0902116**	1.01	0.98
EHD4X48A**	*8MX*0902116**	1	1
EHD4X60A**	*8MX*0902116**	1.01	0.97

COOLING MULTIPLIERS FOR COMBINATION RATINGS: R4A348A(G)KC*			
Cooling Indoor Model	Furnace Model	Capacity	Power
EN(A,D,W)4X48*21**	*8MX*0902116**	1	1
ENH4X48*21**	*8MX*0902116**	1	1
EA*4X48*21A*	*8MX*1102120**	0.99	0.96
EA*4X60*21A*	*8MX*1102120**	1.01	0.95
EHD4X48A**	*8MX*1102120**	1	0.96
EHD4X60A**	*8MX*1102120**	1.01	0.93
EN(A,D,W)4X48*21**	*8MX*1102120**	1	0.96
ENH4X48*21**	*8MX*1102120**	1	0.96
EA*4X48*24A*	*8MX*1352420**	0.99	0.96
EA*4X60*24A*	*8MX*1352420**	1.01	0.97
EHD4X48A**	*8MX*1352420**	1	1
EHD4X60A**	*8MX*1352420**	1.01	0.97
EN(A,D)4X48*24**	*8MX*1352420**	1	1
EN(A,D)4X61*24**	*8MX*1352420**	1.01	0.97
EN(A,D,W)4X60*24**	*8MX*1352420**	1.01	0.97
ENH4X60*24**	*8MX*1352420**	1.01	0.97
ENH4X61*24**	*8MX*1352420**	1.01	0.97
EA*4X48*21A*	*9MA*0602120A**	0.98	0.98
EA*4X60*21A*	*9MA*0602120A**	0.99	0.97
EHD4X48A**	*9MA*0602120A**	0.99	0.97
EHD4X60A**	*9MA*0602120A**	1	0.97
EN(A,D,W)4X48*21**	*9MA*0602120A**	0.98	0.96
ENH4X48*21**	*9MA*0602120A**	0.98	0.96
EA*4X48*21A*	*9MA*0802120A**	0.98	0.95
EA*4X60*21A*	*9MA*0802120A**	1	0.96
EHD4X48A**	*9MA*0802120A**	0.99	0.96
EHD4X60A**	*9MA*0802120A**	1	0.96
EN(A,D,W)4X48*21**	*9MA*0802120A**	0.98	0.95
ENH4X48*21**	*9MA*0802120A**	0.98	0.95
EA*4X48*21A*	*9MA*1002122A**	0.99	0.96
EA*4X60*21A*	*9MA*1002122A**	1.01	0.97
EHD4X48A**	*9MA*1002122A**	1	0.97
EHD4X60A**	*9MA*1002122A**	1.01	0.95
EN(A,D,W)4X48*21**	*9MA*1002122A**	0.99	0.96
ENH4X48*21**	*9MA*1002122A**	0.99	0.96
EA*4X48*24A*	*9MA*1202422A**	0.98	0.95
EA*4X60*24A*	*9MA*1202422A**	1	0.96
EHD4X48A**	*9MA*1202422A**	0.99	0.96
EHD4X60A**	*9MA*1202422A**	1.01	0.97
EN(A,D)4X48*24**	*9MA*1202422A**	0.98	0.95
EN(A,D)4X61*24**	*9MA*1202422A**	1.01	0.95
EN(A,D,W)4X60*24**	*9MA*1202422A**	1	0.96
ENH4X60*24**	*9MA*1202422A**	1	0.96
ENH4X61*24**	*9MA*1202422A**	1	0.96
EHD4X48A**	*9MV*0801716A**	0.99	0.97
EHD4X60A**	*9MV*0801716A**	1.01	0.99
EA*4X48*21A*	*9MV*0802120A**	0.99	0.97
EA*4X60*21A*	*9MV*0802120A**	1.01	0.97
EHD4X48A**	*9MV*0802120A**	1	0.97
EHD4X60A**	*9MV*0802120A**	1.01	0.97
EN(A,D,W)4X48*21**	*9MV*0802120A**	0.99	0.96
ENH4X48*21**	*9MV*0802120A**	0.99	0.96
EA*4X48*21A*	*9MV*1002120A**	0.99	0.96
EA*4X60*21A*	*9MV*1002120A**	1.01	0.97
EHD4X48A**	*9MV*1002120A**	1	0.97
EHD4X60A**	*9MV*1002120A**	1.01	0.97
EN(A,D,W)4X48*21**	*9MV*1002120A**	0.99	0.96
ENH4X48*21**	*9MV*1002120A**	0.99	0.96
EA*4X48*24A*	*9MV*1202422A**	0.99	0.96
EA*4X60*24A*	*9MV*1202422A**	1.01	0.97
EHD4X48A**	*9MV*1202422A**	1	0.97
EHD4X60A**	*9MV*1202422A**	1.01	0.97
EN(A,D)4X48*24**	*9MV*1202422A**	0.99	0.96
EN(A,D)4X61*24**	*9MV*1202422A**	1.01	0.95
EN(A,D,W)4X60*24**	*9MV*1202422A**	1.01	0.97
ENH4X60*24**	*9MV*1202422A**	1.01	0.97

COOLING MULTIPLIERS FOR COMBINATION RATINGS: R4A348A(G)KC*			
Cooling Indoor Model	Furnace Model	Capacity	Power
EA*4X48*21A*	*9MX*0802120A**	0.99	0.97
EA*4X60*21A*	*9MX*0802120A**	1.01	0.98
EHD4X48A**	*9MX*0802120A**	1	0.97
EHD4X60A**	*9MX*0802120A**	1.02	0.98
EN(A,D,W)4X48*21**	*9MX*0802120A**	0.99	0.97
ENH4X48*21**	*9MX*0802120A**	0.99	0.97
EA*4X48*21A*	*9MX*1002120A**	0.99	0.97
EA*4X60*21A*	*9MX*1002120A**	1.01	0.97
EHD4X48A**	*9MX*1002120A**	1	0.97
EHD4X60A**	*9MX*1002120A**	1.02	0.98
EN(A,D,W)4X48*21**	*9MX*1002120A**	0.99	0.96
ENH4X48*21**	*9MX*1002120A**	0.99	0.96
EA*4X48*24A*	*9MX*1202422A**	0.99	0.97
EA*4X60*24A*	*9MX*1202422A**	1.01	0.97
EHD4X48A**	*9MX*1202422A**	1	0.97
EHD4X60A**	*9MX*1202422A**	1.02	0.98
EN(A,D)4X48*24**	*9MX*1202422A**	0.99	0.96
EN(A,D)4X61*24**	*9MX*1202422A**	1.02	0.98
EN(A,D,W)4X60*24**	*9MX*1202422A**	1.01	0.97
ENH4X60*24**	*9MX*1202422A**	1.01	0.97
ENH4X61*24**	*9MX*1202422A**	1.01	0.97
EA*4X48*21A*	MV16**21C*	0.99	0.96
EA*4X60*21A*	MV16**21C*	1.01	0.95
EHD4X48A**	MV16**21C*	1	0.96
EHD4X60A**	MV16**21C*	1.02	0.96
EN(A,D,W)4X48*21**	MV16**21C*	1	0.96
ENH4X48*21**	MV16**21C*	1	0.96
EA*4X48*24A*	MV20**24C*	0.99	0.95
EA*4X60*24A*	MV20**24C*	1.01	0.95
EHD4X48A**	MV20**24C*	1	0.96
EHD4X60A**	MV20**24C*	1.01	0.95
EN(A,D)4X48*24**	MV20**24C*	0.99	0.95
EN(A,D)4X61*24**	MV20**24C*	1.02	0.96
EN(A,D,W)4X60*24**	MV20**24C*	1.01	0.95
ENH4X60*24**	MV20**24C*	1.01	0.95
ENH4X61*24**	MV20**24C*	1.01	0.95
EA*4X48*21A*	NOMV156E19*	0.98	0.96
EA*4X60*21A*	NOMV156E19*	1	0.96
EHD4X48A**	NOMV156E19*	1	1
EHD4X60A**	NOMV156E19*	1.01	0.97
EN(A,D,W)4X48*21**	NOMV156E19*	0.99	0.99
ENH4X48*21**	NOMV156E19*	0.99	0.99
EA*4X60*21A*	OLV112A16A	1	1
EHD4X60A**	OLV112A16A	1	0.98
ENH4X48*21**	OLV112A16A	0.99	0.99
EA*4X48*24A*	OLV154F20A	1	0.98
EA*4X60*24A*	OLV154F20A	1.02	0.99
EHD4X48A**	OLV154F20A	1.01	0.99
EHD4X60A**	OLV154F20A	1.02	0.99
EN(A,D)4X48*24**	OLV154F20A	1	0.98
EN(A,D)4X61*24**	OLV154F20A	1.03	0.99
EN(A,D,W)4X60*24**	OLV154F20A	1.02	0.99
ENH4X60*24**	OLV154F20A	1.02	0.99
ENH4X61*24**	OLV154F20A	1.02	0.99
EA*4X48*24A*	OMV154L20A	0.98	0.95
EA*4X60*24A*	OMV154L20A	1	0.96
EHD4X48A**	OMV154L20A	0.99	0.95
EHD4X60A**	OMV154L20A	1	0.94
EN(A,D)4X48*24**	OMV154L20A	0.99	0.95
EN(A,D)4X61*24**	OMV154L20A	1.01	0.95
EN(A,D,W)4X60*24**	OMV154L20A	1	0.94
ENH4X60*24**	OMV154L20A	1	0.94
ENH4X61*24**	OMV154L20A	1	0.94

COOLING MULTIPLIERS FOR COMBINATION RATINGS: R4A348A(G)KC*			
Cooling Indoor Model	Furnace Model	Capacity	Power
ENH4X61*24**	*9MV*1202422A**	1.01	0.97
EHD4X48A**	*9MX*0801716A**	0.98	0.98
EHD4X60A**	*9MX*0801716A**	1.01	0.99
EA*4X48*17A*		0.99	0.99
EA*4X48*24A*		1	1
EA*4X60*21A*		1.02	1.02
EA*4X60*24A*		1.02	1.02
EHD4X48A**		1	1
EHD4X60A**		1.01	0.99
EMA4X48D**		0.98	0.98
EN(A,D)4X48*24**		1	1
EN(A,D)4X61*24**		1.02	1
EN(A,D,W)4X48*21**		1	1
EN(A,D,W)4X60*24**		1.01	1.01
ENH4X48*21**		1	1
ENH4X60*24**		1.01	1.01
ENH4X61*24**		1.01	0.99

EXPANDED COOLING PERFORMANCE RATINGS For Outdoor / Indoor Models

For complete ratings information, use the AHRI website directory search: www.AHRIdirectory.org.
New ratings may be listed online before Specification Sheets are updated.

R4A360A(G)KC Outdoor Section With EA*4X60*24A* Indoor Section

EVAPORATOR AIR		CONDENSER ENTERING AIR TEMPERATURES deg F														
		75			85			95			105		115			
CFM	EWB	Capacity MBtuh		Total System KW	Capacity MBtuh		Total System KW	Capacity MBtuh		Total System KW	Capacity MBtuh		Total System KW	Capacity MBtuh		Total System KW
		Total	Sens		Total	Sens		Total	Sens		Total	Sens		Total	Sens	
1750	72	67.21	34.03	4.17	64.33	32.99	4.62	61.25	31.88	5.13	57.99	30.72	5.69	54.51	29.50	6.30
	67	61.78	42.10	4.12	59.11	41.03	4.58	56.26	39.90	5.08	53.27	38.73	5.64	50.10	37.51	6.26
	62	56.85	50.10	4.08	54.44	49.01	4.54	51.89	47.82	5.04	49.28	46.54	5.60	46.74	46.74	6.23
	57	55.51	55.51	4.07	53.53	53.53	4.53	51.41	51.41	5.04	49.17	49.17	5.60	46.74	46.74	6.23
2000	72	68.22	35.65	4.27	65.20	34.58	4.73	62.01	33.46	5.23	58.62	32.28	5.79	55.02	31.05	6.40
	67	62.74	44.73	4.22	59.96	43.64	4.68	57.00	42.50	5.18	53.90	41.32	5.74	50.62	40.07	6.36
	62	58.02	53.65	4.18	55.58	52.46	4.64	53.19	53.19	5.15	50.79	50.79	5.71	48.19	48.19	6.33
	57	57.57	57.57	4.18	55.46	55.46	4.64	53.20	53.20	5.15	50.80	50.80	5.71	48.19	48.19	6.33
2250	72	68.93	37.17	4.37	65.81	36.09	4.83	62.53	34.96	5.33	59.04	33.77	5.89	55.34	32.51	6.50
	67	63.43	47.24	4.32	60.56	46.14	4.78	57.53	44.99	5.28	54.34	43.78	5.84	50.99	42.50	6.46
	62	59.25	59.25	4.29	57.01	57.01	4.75	54.62	54.62	5.25	52.11	52.11	5.82	49.36	49.36	6.44
	57	59.25	59.25	4.29	57.01	57.01	4.75	54.62	54.62	5.25	52.12	52.12	5.82	49.36	49.36	6.44

Total sensible capacities are based on net capacities. Blower heat has been subtracted.

Sensible capacities shown are based on 80° F (27° C) entering air at the indoor coil. For sensible capacities at other than 80° F (27° C), deduct 835 Btuh (245 kW) per 1000 CFM (480 L/S) of indoor coil air for each degree below 80° F (27° C), or add 835 Btuh (245 kW) per 1000 CFM (480 L/S) of indoor coil air per degree above 80° F (27° C).

Detailed cooling and heating capacities are based on indoor and outdoor unit at the same elevation per AHRI standard 210/240 -2008. If additional tubing length is required and/or indoor unit is located above outdoor unit, a slight variation in capacity may occur.

System kw is total of indoor and outdoor unit kilowatts.

COOLING MULTIPLIERS FOR COMBINATION RATINGS: R4A360A(G)KC*

Cooling Indoor Model	Furnace Model	Capacity	Power
EA*4X60*24A*		1	1
FCM4X60****		1.03	0.98
FEM4X60**A*		1.03	0.98
FEM4X60**B*		1	1
FVM4X60****		0.99	0.95
FXM4X60**A*		1	1
EA*4X60*21A*	*8MV*1102120**	0.98	0.98
EHD4X60A**	*8MV*1102120**	0.99	0.99
EA*4X60*24A*	*8MV*1352422**	0.98	0.97
EHD4X60A**	*8MV*1352422**	0.99	0.99
EN(A,D)4X61*24**	*8MV*1352422**	0.99	0.99
EN(A,D,W)4X60*24**	*8MV*1352422**	0.99	0.99
ENH4X60*24**	*8MV*1352422**	0.99	0.99
ENH4X61*24**	*8MV*1352422**	0.99	0.99
EA*4X60*21A*	*8MX*1102120**	0.98	0.97
EHD4X60A**	*8MX*1102120**	0.99	0.99
EA*4X60*24A*	*8MX*1352420**	0.98	0.97
EHD4X60A**	*8MX*1352420**	0.99	0.99
EN(A,D)4X61*24**	*8MX*1352420**	0.99	0.99
EN(A,D,W)4X60*24**	*8MX*1352420**	0.99	0.99
ENH4X60*24**	*8MX*1352420**	0.99	0.99
ENH4X61*24**	*8MX*1352420**	0.99	0.99
EA*4X60*21A*	*9MA*0802120A**	0.99	0.99
EHD4X60A**	*9MA*0802120A**	0.98	0.97
EA*4X60*21A*	*9MA*1002122A**	0.98	0.98
EHD4X60A**	*9MA*1002122A**	0.99	0.97
EA*4X60*24A*	*9MA*1202422A**	0.98	0.98
EHD4X60A**	*9MA*1202422A**	0.98	0.98
EN(A,D)4X61*24**	*9MA*1202422A**	0.99	0.99
EN(A,D,W)4X60*24**	*9MA*1202422A**	0.98	0.98
ENH4X60*24**	*9MA*1202422A**	0.98	0.98
ENH4X61*24**	*9MA*1202422A**	0.98	0.98
EA*4X60*21A*	*9MV*0802120A**	0.99	0.99
EHD4X60A**	*9MV*0802120A**	1.01	1.01
EA*4X60*21A*	*9MV*1002120A**	0.98	0.98

COOLING MULTIPLIERS FOR COMBINATION RATINGS: R4A360A(G)KC*			
Cooling Indoor Model	Furnace Model	Capacity	Power
EHD4X60A**	*9MV*1002120A**	0.99	0.99
EA*4X60*24A*	*9MV*1202422A**	0.98	0.98
EHD4X60A**	*9MV*1202422A**	0.98	0.98
EN(A,D)4X61*24**	*9MV*1202422A**	0.99	0.99
EN(A,D,W)4X60*24**	*9MV*1202422A**	0.97	0.97
ENH4X60*24**	*9MV*1202422A**	0.97	0.97
ENH4X61*24**	*9MV*1202422A**	0.98	0.98
EA*4X60*21A*	*9MX*0802120A**	0.97	0.97
EHD4X60A**	*9MX*0802120A**	0.98	0.97
EA*4X60*21A*	*9MX*1002120A**	1	1
EHD4X60A**	*9MX*1002120A**	0.99	0.99
EA*4X60*24A*	*9MX*1202422A**	0.98	0.98
EHD4X60A**	*9MX*1202422A**	0.98	0.98
EN(A,D)4X61*24**	*9MX*1202422A**	0.99	0.99
EN(A,D,W)4X60*24**	*9MX*1202422A**	0.98	0.98
ENH4X60*24**	*9MX*1202422A**	0.98	0.98
ENH4X61*24**	*9MX*1202422A**	0.98	0.98
EA*4X60*21A*	MV16**21C*	0.99	0.97
EHD4X60A**	MV16**21C*	1	0.98
EA*4X60*24A*	MV20**24C*	0.98	0.97
EHD4X60A**	MV20**24C*	0.99	0.97
EN(A,D)4X61*24**	MV20**24C*	1	0.97
EN(A,D,W)4X60*24**	MV20**24C*	0.98	0.97
ENH4X60*24**	MV20**24C*	0.98	0.97
ENH4X61*24**	MV20**24C*	0.99	0.97
EHD4X60A**	OMV154L20A	1.01	1.01
EN(A,D)4X61*24**	OMV154L20A	1.02	1.02
EN(A,D,W)4X60*24**	OMV154L20A	0.99	0.99
ENH4X60*24**	OMV154L20A	0.99	0.99
EA*4X60*21A*		0.98	0.98
EHD4X60A**		1.01	1.01
EN(A,D)4X61*24**		1.02	1
EN(A,D,W)4X60*24**		1	1
ENH4X60*24**		1	1
ENH4X61*24**		1.01	1.01

COOLING PERFORMANCE FOR COMBINATION RATINGS Indoor Models

For complete ratings information, use the AHRI website directory search: www.AHRIdirectory.org.
New ratings may be listed online before Specification Sheets are updated.

MODEL	INDOOR MODEL	FURNACE MODEL	AHRI STANDARD RATINGS					
			COOLING					
			CAPACITY BTU/hr	Factory Installed	SEER			EER
STANDARD	TDR	TXV						
R4A318AKA*	*ED*4X18B**		17200	TXV		13		10.9
R4A318GKA*	FEA4X18**A*		17200	TDR&TXV	14			12
	FEA4X24**A*		17200	TDR&TXV	14.5			12.2
	FEM4P18**A*		17800	TDR	14.5			12
	FEM4P18**A*		17600	TDR			14.5	12
	FEM4P24**A*		17800	TDR	14.5			12
	FEM4P24**A*		17800	TDR			14.5	12
	FEM4P30**A*		17700	TDR			13.5	11
	FEM4X18****		17200	TDR&TXV	14			12
	FEM4X24****		17200	TDR&TXV	14			12
	FS(M,U)4P18**A*		17800	TDR	13.5			11
	FS(M,U)4P18**A*		17800	TDR			13.5	11
	FS(M,U)4P24**A*		17800	TDR	13.5			11
	FS(M,U)4P24**A*		17600	TDR			13.5	11
	FSA4X24**A*		17200	TDR&TXV	13			10.9
	FVM4X24****		17200	TDR&TXV	14			12
	FXM4X18**A*		17800	TDR&TXV	14.5			12
	FXM4X24**A*		17800	TDR&TXV	14.5			12
	FXM4X30**A*		17800	TDR&TXV	14.5			12
	EA*4X18*14A*	*8MV*0701412**	17500	TDR&TXV	14			12
	EA*4X18*14A*	*9MV*0401410A**	17500	TDR&TXV	14			11.5
	EA*4X18*14A*	*9MX*0401410A**	17400	TDR&TXV	14.2			11.7
	EA*4X18*14A*		17600	TXV			13	10.9
	EA*4X24*14A*	*8MV*0701412**	17800	TDR&TXV	14.5			12.2
	EA*4X24*14A*	*9MV*0401410A**	17900	TDR&TXV	14.2			11.8
	EA*4X24*14A*	*9MX*0401410A**	17800	TDR&TXV	14.5			12
	EA*4X24*14A*		17900	TXV			13.2	11
	EA*4X24*17A*	*8MV*0901716**	17800	TDR&TXV	14.5			12.2
	EA*4X24*17A*	*9MA*0601714A**	17800	TDR&TXV	14.5			12
	EA*4X24*17A*	*9MA*0801714A**	17800	TDR&TXV	14.5			12
	EA*4X24*17A*	*9MV*0401410A**	18000	TDR&TXV	14.2			11.8
	EA*4X24*17A*	*9MV*0601714A**	18200	TDR&TXV	15			12.4
	EA*4X24*17A*	*9MV*0801716A**	18300	TDR&TXV	15			12.5
	EA*4X24*17A*	*9MX*0401410A**	17800	TDR&TXV	14.5			12
	EA*4X24*17A*		17900	TXV			13.2	11
	EHD4X24A**	*8MV*0701412**	17900	TDR&TXV	14.5			12.2
	EHD4X24A**	*8MV*0901716**	17900	TDR&TXV	14.5			12.2
	EHD4X24A**	*8MX*0451408**	18000	TDR&TXV	14.5			12.2
	EHD4X24A**	*9MA*0601714A**	18000	TDR&TXV	14.5			12
	EHD4X24A**	*9MA*0801714A**	17900	TDR&TXV	14.5			12
	EHD4X24A**	*9MAC0602120A**	18100	TDR&TXV	14.5			12
	EHD4X24A**	*9MV*0401410A**	18000	TDR&TXV	14.2			11.8
	EHD4X24A**	*9MV*0601714A**	18000	TDR&TXV	14.5			12
	EHD4X24A**	*9MV*0801716A**	18100	TDR&TXV	15			12.4
	EHD4X24A**	*9MV*0802120A**	18300	TDR&TXV	14.5			12.2
	EHD4X24A**	*9MV*1002120A**	18400	TDR&TXV	15			12.5
	EHD4X24A**	*9MV*1202422A**	18400	TDR&TXV	15			12.4
	EHD4X24A**	*9MX*0401410A**	17800	TDR&TXV	14.5			12

2009 ENERGY STAR compliance for combinations with both: SEER 14.50 or higher and EER 12.00 or higher.

† For coils not listed with a matching furnace or blower, coil rating applies with any indoor blower device

MODEL	INDOOR MODEL	FURNACE MODEL	AHRI STANDARD RATINGS					
			COOLING					
			CAPACITY BTU/hr	Factory Installed	SEER			EER
STANDARD	TDR	TXV						
R4A318AKA*	EHD4X24A**	MV08B15**B*	17200	TDR&TXV	14			12
R4A318GKA*	EHD4X24A**	*9MV*1002116A**	18300	TDR&TXV	15			12.4
	EHD4X24A**		17200	TXV			13	10.9
	EMA4X24D**		17200	TXV			13	10.9
	EN(A,D)4X18*14**	*8MV*0701412**	17500	TDR&TXV	14.5			12
	EN(A,D)4X18*14**	*8MX*0451408**	17800	TDR&TXV	14.5			12
	EN(A,D)4X18*14**	*9MV*0401410A**	17600	TDR&TXV	14.2			11.7
	EN(A,D)4X18*14**	*9MX*0401410A**	17500	TDR&TXV	14.2			11.8
	EN(A,D)4X18*14**		17600	TXV			13	11
	EN(A,D)4X19*17**	*8MV*0701412**	17600	TDR&TXV	14.5			12
	EN(A,D)4X19*17**	*8MV*0901716**	17800	TDR&TXV	14.5			12
	EN(A,D)4X19*17**	*8MX*0451408**	18000	TDR&TXV	14.5			12
	EN(A,D)4X19*17**	*9MA*0601714A**	18000	TDR&TXV	14.5			12
	EN(A,D)4X19*17**	*9MA*0801714A**	17900	TDR&TXV	15			12.4
	EN(A,D)4X19*17**	*9MV*0401410A**	18100	TDR&TXV	14.5			12
	EN(A,D)4X19*17**	*9MV*0601714A**	18400	TDR&TXV	15			12.5
	EN(A,D)4X19*17**	*9MV*0801716A**	18500	TDR&TXV	15.2			12.5
	EN(A,D)4X19*17**	*9MX*0401410A**	17900	TDR&TXV	14.5			12
	EN(A,D)4X19*17**	MV08B15**B*	18000	TDR&TXV	14.5			12
	EN(A,D)4X19*17**	NOMV106D12*	18000	TDR&TXV	14.5			12
	EN(A,D)4X19*17**		18000	TXV			13	11
	EN(A,D)4X24*14**	*8MV*0701412**	17800	TDR&TXV	14.5			12.2
	EN(A,D)4X24*14**	*8MX*0451408**	18000	TDR&TXV	14.5			12.2
	EN(A,D)4X24*14**	*9MV*0401410A**	17900	TDR&TXV	14.2			11.8
	EN(A,D)4X24*14**	*9MX*0401410A**	17700	TDR&TXV	14.2			11.8
	EN(A,D)4X24*14**		17900	TXV			13.2	11
	EN(A,D)4X24*17**	*8MV*0901716**	17800	TDR&TXV	14.5			12.2
	EN(A,D)4X24*17**	*9MA*0601714A**	17900	TDR&TXV	14.5			12
	EN(A,D)4X24*17**	*9MA*0801714A**	17800	TDR&TXV	14.5			12
	EN(A,D)4X24*17**	*9MV*0401410A**	17900	TDR&TXV	14.2			11.8
	EN(A,D)4X24*17**	*9MV*0601714A**	18000	TDR&TXV	14.5			12
	EN(A,D)4X24*17**	*9MV*0801716A**	18100	TDR&TXV	15			12.4
	EN(A,D)4X24*17**	*9MX*0401410A**	17700	TDR&TXV	14.2			11.8
	EN(A,D)4X24*17**		17900	TXV			13.2	11
	ENH4X24*17**	*8MV*0701412**	17800	TDR&TXV	14.5			12.2
	ENH4X24*17**	*8MV*0901716**	17800	TDR&TXV	14.5			12.2
	ENH4X24*17**	*8MX*0451408**	17800	TDR&TXV	14.5			12.2
	ENH4X24*17**	*9MA*0601714A**	17900	TDR&TXV	14.5			12
	ENH4X24*17**	*9MA*0801714A**	17800	TDR&TXV	14.5			12
	ENH4X24*17**	*9MV*0401410A**	17900	TDR&TXV	14.2			11.8
	ENH4X24*17**	*9MV*0601714A**	18000	TDR&TXV	14.5			12
	ENH4X24*17**	*9MV*0801716A**	18100	TDR&TXV	15			12.4
	ENH4X24*17**	*9MV*1202422A**	18300	TDR&TXV	15			12.4
	ENH4X24*17**	*9MX*0401410A**	17700	TDR&TXV	14.2			11.8
	ENH4X24*17**	*9MV*1002116A**	18300	TDR&TXV	15			12.4
	ENH4X24*17**		17900	TXV			13.2	11

2009 ENERGY STAR compliance for combinations with both: SEER 14.50 or higher and EER 12.00 or higher.

† For coils not listed with a matching furnace or blower, coil rating applies with any indoor blower device

*Tested Combination

EER – Energy Efficiency Ratio

SEER – Seasonal Energy Efficiency Ratio

TDR - Time delay Relay

TXV – Thermostatic Expansion Valve

Ratings are net values reflecting the effects of circulating fan motor heat. Supplemental electric heat is not included.

Tested outdoor/indoor combinations have been tested in accordance with DOE test procedures for central air conditioners. Ratings for other combinations are determined under DOE computer simulation procedures.

Determine actual CFM values obtainable for your system by referring to fan performance data in fan coil or furnace literature.

MODEL	INDOOR MODEL	FURNACE MODEL	AHRI STANDARD RATINGS					
			COOLING					
			CAPACITY BTU/hr	Factory Installed	SEER			EER
STANDARD	TDR	TXV						
R4A324AKA	*ED*4X24B**		23000	TXV		13		11
R4A324GKA	FEA4X24**A*		23000	TDR&TXV	14			11.7
	FEA4X30**A*		23200	TDR&TXV	14			11.7
	FEM4P24**A*		22800	TDR	13.5			11
	FEM4P24**A*		23000	TDR			13.5	11
	FEM4P30**A*		23600	TDR	14			12
	FEM4P30**A*		23600	TDR			14	12
	FEM4X24****		23000	TDR&TXV	14			11.5
	FEM4X30****		23000	TDR&TXV	14			12
	FS(M,U)4P24**A*		23400	TDR	13.5			11.5
	FS(M,U)4P24**A*		23400	TDR			13.5	11.5
	FS(M,U)4P30**A*		23600	TDR	13.5			11
	FS(M,U)4P30**A*		23400	TDR			13.5	11.5
	FS(M,U)4X30****		23000	TDR&TXV	13			11
	FVM4X24****		23000	TDR&TXV	14			12
	FVM4X36****		23000	TDR&TXV	14			12
	FXM4X24**A*		23400	TDR&TXV	14.5			12
	FXM4X30**A*		23600	TDR&TXV	14			11.5
	FXM4X36**A*		23800	TDR&TXV	14.5			12
	EA*4X24*14A*	*8MV*0701412**	22800	TDR&TXV	14			12
	EA*4X24*14A*	*9MV*0401410A**	22800	TDR&TXV	13.7			11.4
	EA*4X24*14A*	*9MX*0401410A**	23000	TDR&TXV	13.3			11
	EA*4X24*14A*		23000	TXV		13		11
	EA*4X24*17A*	*8MV*0901716**	23000	TDR&TXV	14.5			12.2
	EA*4X24*17A*	*9MA*0601714A**	23000	TDR&TXV	14.5			12
	EA*4X24*17A*	*9MA*0801714A**	22800	TDR&TXV	14.5			12
	EA*4X24*17A*	*9MV*0401410A**	22800	TDR&TXV	13.7			11.4
	EA*4X24*17A*	*9MV*0601714A**	23000	TDR&TXV	14.5			12
	EA*4X24*17A*	*9MV*0801716A**	23000	TDR&TXV	14.5			12
	EA*4X24*17A*	*9MX*0401410A**	23000	TDR&TXV	13.3			11
	EA*4X24*17A*	*9MX*0601714A**	23000	TDR&TXV	14.5			12
	EA*4X24*17A*		23000	TXV		13		11
	EA*4X30*14A*	*8MV*0701412**	23000	TDR&TXV	14.5			12
	EA*4X30*14A*	*9MV*0401410A**	23000	TDR&TXV	13.7			11.4
	EA*4X30*14A*	*9MX*0401410A**	23200	TDR&TXV	13.5			11.2
	EA*4X30*14A*		23200	TXV		13		11
	EA*4X30*17A*	*8MV*0901716**	23200	TDR&TXV	14.5			12.2
	EA*4X30*17A*	*9MA*0601714A**	23200	TDR&TXV	14.5			12
	EA*4X30*17A*	*9MA*0801714A**	23000	TDR&TXV	14.5			12
	EA*4X30*17A*	*9MV*0401410A**	23000	TDR&TXV	13.7			11.4
	EA*4X30*17A*	*9MV*0601714A**	23200	TDR&TXV	14.5			12
	EA*4X30*17A*	*9MV*0801716A**	23400	TDR&TXV	14.5			12
	EA*4X30*17A*	*9MX*0401410A**	23400	TDR&TXV	13.5			11.2
	EA*4X30*17A*	*9MX*0601714A**	23200	TDR&TXV	14.5			12
	EA*4X30*17A*		23200	TXV		13		11
	EA*4X36*17A*		23200	TXV		13		11
	EA*4X36*21A*	*9MA*0601714A**	23200	TDR&TXV	14.5			12
	EA*4X36*21A*	*9MA*0801714A**	23200	TDR&TXV	14.5			12
	EA*4X36*21A*	*9MA*0802120A**	23600	TDR&TXV	15			12.2

MODEL	INDOOR MODEL	FURNACE MODEL	AHRI STANDARD RATINGS					
			COOLING					
			CAPACITY BTU/hr	Factory Installed	SEER			EER
STANDARD	TDR	TXV						
R4A324AKA	EA*4X36*21A*	*9MA*1002122A**	23600	TDR&TXV	15			12.2
R4A324GKA	EA*4X36*21A*	*9MAC0602120A**	23400	TDR&TXV	14.5			12
	EA*4X36*21A*	*9MV*0802120A**	23800	TDR&TXV	14.5			12.2
	EA*4X36*21A*	*9MV*1002120A**	24000	TDR&TXV	15			12.5
	EA*4X36*21A*	*9MA*1002120A**	23400	TDR&TXV	14.5			12
	EA*4X36*21A*	*9MV*1002116A**	23600	TDR&TXV	15			12.4
	EA*4X36*21A*		23400	TXV		13		11
	EHD4X24A**	*8MV*0701412**	23000	TDR&TXV	14.5			12
	EHD4X24A**	*8MV*0901716**	23200	TDR&TXV	14.5			12
	EHD4X24A**	*8MV*1102120**	23200	TDR&TXV	14.5			12
	EHD4X24A**	*8MV*1352422**	23200	TDR&TXV	14.5			12
	EHD4X24A**	*8MX*0451408**	23200	TDR&TXV	14.5			12
	EHD4X24A**	*9MA*0601714A**	23200	TDR&TXV	14.2			11.8
	EHD4X24A**	*9MA*0801714A**	23000	TDR&TXV	14.5			12
	EHD4X24A**	*9MA*0802120A**	23400	TDR&TXV	14.5			12
	EHD4X24A**	*9MA*1002122A**	23400	TDR&TXV	14.5			12
	EHD4X24A**	*9MA*1202422A**	23400	TDR&TXV	14.5			12
	EHD4X24A**	*9MAC0602120A**	23200	TDR&TXV	14.5			12
	EHD4X24A**	*9MV*0401410A**	23000	TDR&TXV	13.7			11.4
	EHD4X24A**	*9MV*0601714A**	23000	TDR&TXV	14.5			12
	EHD4X24A**	*9MV*0801716A**	23000	TDR&TXV	14.5			12
	EHD4X24A**	*9MV*0802120A**	22800	TDR&TXV	14.5			12
	EHD4X24A**	*9MV*1002120A**	23000	TDR&TXV	14.5			12
	EHD4X24A**	*9MV*1202422A**	23000	TDR&TXV	14.5			12
	EHD4X24A**	*9MX*0401410A**	23200	TDR&TXV	13.5			11.2
	EHD4X24A**	*9MX*0601714A**	23000	TDR&TXV	14.5			12
	EHD4X24A**	MV08B15**B*	23000	TDR&TXV	14			12
	EHD4X24A**	MV12F19**B*	23000	TDR&TXV	14			12
	EHD4X24A**	*9MA*1002120A**	23400	TDR&TXV	14.5			12
	EHD4X24A**	*9MV*1002116A**	22800	TDR&TXV	14.5			12
	EHD4X24A**		23000	TXV		13		11
	EHD4X30A**	*8MV*0701412**	23000	TDR&TXV	14.5			12
	EHD4X30A**	*8MV*0901716**	23200	TDR&TXV	14.5			12.2
	EHD4X30A**	*8MV*1102120**	23200	TDR&TXV	14.5			12.2
	EHD4X30A**	*8MV*1352422**	23200	TDR&TXV	14.5			12.2
	EHD4X30A**	*8MX*0451408**	23400	TDR&TXV	14.5			12
	EHD4X30A**	*9MA*0601714A**	23200	TDR&TXV	14.5			12
	EHD4X30A**	*9MA*0801714A**	23200	TDR&TXV	14.5			12
	EHD4X30A**	*9MA*0802120A**	23600	TDR&TXV	14.5			12
	EHD4X30A**	*9MA*1002122A**	23600	TDR&TXV	14.5			12
	EHD4X30A**	*9MA*1202422A**	23400	TDR&TXV	14.5			12
	EHD4X30A**	*9MAC0602120A**	23400	TDR&TXV	14.5			12
	EHD4X30A**	*9MV*0401410A**	23200	TDR&TXV	13.7			11.4
	EHD4X30A**	*9MV*0601714A**	23200	TDR&TXV	14.5			12
	EHD4X30A**	*9MV*0801716A**	23400	TDR&TXV	14.5			12
	EHD4X30A**	*9MV*0802120A**	23400	TDR&TXV	14.5			12
	EHD4X30A**	*9MV*1002120A**	23400	TDR&TXV	14.5			12
	EHD4X30A**	*9MV*1202422A**	23400	TDR&TXV	14.5			12
	EHD4X30A**	*9MX*0401410A**	23400	TDR&TXV	13.5			11.2
	EHD4X30A**	*9MX*0601714A**	23200	TDR&TXV	14.5			12

MODEL	INDOOR MODEL	FURNACE MODEL	AHRI STANDARD RATINGS				
			COOLING				
			CAPACITY BTU/hr	Factory Installed	SEER		
STANDARD	TDR	TXV					
R4A324AKA R4A324GKA	EHD4X30A**	MV08B15**B*	23000	TDR&TXV	14		12
	EHD4X30A**	MV12F19**B*	23000	TDR&TXV	14.5		12
	EHD4X30A**	*9MA*1002120A**	23400	TDR&TXV	14.5		12
	EHD4X30A**	*9MV*1002116A**	23200	TDR&TXV	14.5		12
	EHD4X30A**		23000	TXV		13	11
	EMA4X24D**		23000	TXV		13	11
	EN(A,D)4X24*14**	*8MV*0701412**	22800	TDR&TXV	14		11.7
	EN(A,D)4X24*14**	*8MX*0451408**	23000	TDR&TXV	14		11.7
	EN(A,D)4X24*14**	*9MV*0401410A**	22800	TDR&TXV	13.7		11.4
	EN(A,D)4X24*14**	*9MX*0401410A**	23000	TDR&TXV	13.3		11
	EN(A,D)4X24*14**		23000	TXV		13	11
	EN(A,D)4X24*17**	*8MV*0901716**	22800	TDR&TXV	14.5		12
	EN(A,D)4X24*17**	*9MA*0601714A**	22800	TDR&TXV	14.2		11.8
	EN(A,D)4X24*17**	*9MA*0801714A**	22800	TDR&TXV	14.5		12
	EN(A,D)4X24*17**	*9MV*0401410A**	22800	TDR&TXV	13.7		11.4
	EN(A,D)4X24*17**	*9MV*0601714A**	22800	TDR&TXV	14.2		11.8
	EN(A,D)4X24*17**	*9MV*0801716A**	22800	TDR&TXV	14.5		12
	EN(A,D)4X24*17**	*9MX*0401410A**	23000	TDR&TXV	13.3		11
	EN(A,D)4X24*17**	*9MX*0601714A**	22800	TDR&TXV	14.5		12
	EN(A,D)4X24*17**		23000	TXV		13	11
	EN(A,D)4X30*14**	*8MV*0701412**	23000	TDR&TXV	14.5		12
	EN(A,D)4X30*14**	*8MX*0451408**	23200	TDR&TXV	14.5		12
	EN(A,D)4X30*14**	*9MV*0401410A**	23000	TDR&TXV	13.7		11.4
	EN(A,D)4X30*14**	*9MX*0401410A**	23200	TDR&TXV	13.5		11.2
	EHD4X30A**	*9MA*0801714A**	23200	TDR&TXV	14.5		12
	EHD4X30A**	*9MA*0802120A**	23600	TDR&TXV	14.5		12
	EHD4X30A**	*9MA*1002122A**	23600	TDR&TXV	14.5		12
	EHD4X30A**	*9MA*1202422A**	23400	TDR&TXV	14.5		12
	EHD4X30A**	*9MAC0602120A**	23400	TDR&TXV	14.5		12
	EHD4X30A**	*9MV*0401410A**	23200	TDR&TXV	13.7		11.4
	EHD4X30A**	*9MV*0601714A**	23200	TDR&TXV	14.5		12
	EHD4X30A**	*9MV*0801716A**	23400	TDR&TXV	14.5		12
	EHD4X30A**	*9MV*0802120A**	23400	TDR&TXV	14.5		12
	EHD4X30A**	*9MV*1002120A**	23400	TDR&TXV	14.5		12
	EHD4X30A**	*9MV*1202422A**	23400	TDR&TXV	14.5		12
	EHD4X30A**	*9MX*0401410A**	23400	TDR&TXV	13.5		11.2
	EHD4X30A**	*9MX*0601714A**	23200	TDR&TXV	14.5		12
	EHD4X30A**	*9MA*0801714A**	23200	TDR&TXV	14.5		12
	EHD4X30A**	*9MA*0802120A**	23600	TDR&TXV	14.5		12
	EHD4X30A**	*9MA*1002122A**	23600	TDR&TXV	14.5		12
EHD4X30A**	*9MA*1202422A**	23400	TDR&TXV	14.5		12	
EHD4X30A**	*9MAC0602120A**	23400	TDR&TXV	14.5		12	
EHD4X30A**	*9MV*0401410A**	23200	TDR&TXV	13.7		11.4	
EHD4X30A**	*9MV*0601714A**	23200	TDR&TXV	14.5		12	
EHD4X30A**	*9MV*0801716A**	23400	TDR&TXV	14.5		12	
EHD4X30A**	*9MV*0802120A**	23400	TDR&TXV	14.5		12	
EHD4X30A**	*9MV*1002120A**	23400	TDR&TXV	14.5		12	
EHD4X30A**	*9MV*1202422A**	23400	TDR&TXV	14.5		12	
EHD4X30A**	*9MX*0401410A**	23400	TDR&TXV	13.5		11.2	
EHD4X30A**	*9MX*0601714A**	23200	TDR&TXV	14.5		12	

MODEL	INDOOR MODEL	FURNACE MODEL	AHRI STANDARD RATINGS					
			COOLING					
			CAPACITY BTU/hr	Factory Installed	SEER			EER
STANDARD	TDR	TXV						
R4A324AKA	ENH4X24*17**	*9MV*0401410A**	22800	TDR&TXV	13.7			11.4
R4A324GKA	ENH4X24*17**	*9MV*0601714A**	22800	TDR&TXV	14.2			11.8
	ENH4X24*17**	*9MV*0801716A**	22800	TDR&TXV	14.5			12
	ENH4X24*17**	*9MV*1202422A**	22800	TDR&TXV	14.5			12
	ENH4X24*17**	*9MX*0401410A**	23000	TDR&TXV	13.3			11
	ENH4X24*17**	*9MX*0601714A**	22800	TDR&TXV	14.5			12
	ENH4X24*17**	*9MA*1002120A**	23200	TDR&TXV	14.5			12
	ENH4X24*17**	*9MV*1002116A**	22600	TDR&TXV	14.5			12
	ENH4X24*17**		23000	TXV		13		11
	ENH4X30*17**	*8MV*0701412**	23000	TDR&TXV	14.5			12
	ENH4X30*17**	*8MV*0901716**	23200	TDR&TXV	14.5			12.2
	ENH4X30*17**	*8MV*1102120**	23200	TDR&TXV	14.5			12.2
	ENH4X30*17**	*8MV*1352422**	23200	TDR&TXV	14.5			12.2
	ENH4X30*17**	*8MX*0451408**	23400	TDR&TXV	14.5			12
	ENH4X30*17**	*9MA*0601714A**	23200	TDR&TXV	14.5			12
	ENH4X30*17**	*9MA*0801714A**	23000	TDR&TXV	14.5			12
	ENH4X30*17**	*9MA*1202422A**	23400	TDR&TXV	14.5			12
	ENH4X30*17**	*9MV*0401410A**	23000	TDR&TXV	13.7			11.4
	ENH4X30*17**	*9MV*0601714A**	23200	TDR&TXV	14.5			12
	ENH4X30*17**	*9MV*0801716A**	23400	TDR&TXV	14.5			12
	ENH4X30*17**	*9MV*1202422A**	23400	TDR&TXV	14.5			12
	ENH4X30*17**	*9MX*0401410A**	23400	TDR&TXV	13.5			11.2
	ENH4X30*17**	*9MX*0601714A**	23200	TDR&TXV	14.5			12
	ENH4X30*17**	*9MA*1002120A**	23400	TDR&TXV	14.5			12
	ENH4X30*17**	*9MV*1002116A**	23200	TDR&TXV	14.5			12
	ENH4X30*17**		23200	TXV		13		11
	ENH4X31*17**	*9MA*0601714A**	23600	TDR&TXV	14.5			12
	ENH4X31*17**	*9MA*0801714A**	23400	TDR&TXV	15			12.5
	ENH4X31*17**	*9MA*1202422A**	23800	TDR&TXV	15			12.5
	ENH4X31*17**	*9MV*0401410A**	23600	TDR&TXV	14			11.5
	ENH4X31*17**	*9MV*0601714A**	23600	TDR&TXV	14.5			12
	ENH4X31*17**	*9MV*0801716A**	23800	TDR&TXV	15			12.5
	ENH4X31*17**	*9MV*1202422A**	24000	TDR&TXV	15.2			12.5
	ENH4X31*17**	*9MX*0401410A**	23800	TDR&TXV	13.7			11.4
	ENH4X31*17**	*9MX*0601714A**	23800	TDR&TXV	15			12.5
	ENH4X31*17**	*9MA*1002120A**	23800	TDR&TXV	15			12.5
	ENH4X31*17**	*9MV*1002116A**	23600	TDR&TXV	15			12.5

2009 ENERGY STAR compliance for combinations with both: SEER 14.50 or higher and EER 12.00 or higher.

† For coils not listed with a matching furnace or blower, coil rating applies with any indoor blower device

*Tested Combination

EER – Energy Efficiency Ratio

SEER – Seasonal Energy Efficiency Ratio

TDR - Time delay Relay

TXV – Thermostatic Expansion Valve

Ratings are net values reflecting the effects of circulating fan motor heat. Supplemental electric heat is not included.

Tested outdoor/indoor combinations have been tested in accordance with DOE test procedures for central air conditioners. Ratings for other combinations are determined under DOE computer simulation procedures.

Determine actual CFM values obtainable for your system by referring to fan performance data in fan coil or furnace literature.

COOLING PERFORMANCE FOR COMBINATION RATINGS Indoor Models

For complete ratings information, use the AHRI website directory search: www.AHRIdirectory.org.
New ratings may be listed online before Specification Sheets are updated.

MODEL	INDOOR MODEL	FURNACE MODEL	AHRI STANDARD RATINGS					
			COOLING					
			CAPACITY BTU/hr	Factory Installed	SEER			EER
STANDARD	TDR	TXV						
R4A330AKA	*ED*4X30B**		27200	TXV		13		10.8
R4A330GKA	FEA4X30**A*		27600	TDR&TXV	13.5			11.5
	FEA4X36**A*		27800	TDR&TXV	13.5			11.5
	FEM4P30**A*		27400	TDR	13.5			11
	FEM4P30**A*		27400	TDR			13.5	11
	FEM4P36**A*		27400	TDR	13.5			11
	FEM4P36**A*		27600	TDR			13.5	11
	FEM4P42**A*		28000	TDR			13.5	11
	FEM4X30****		27200	TDR&TXV	13.5			11.5
	FEM4X36****		27200	TDR&TXV	13.5			11.5
	FS(M,U)4P30**A*		27600	TDR	13			11
	FS(M,U)4P30**A*		27600	TDR			13	11
	FS(M,U)4P36**A*		27600	TDR	13			11
	FS(M,U)4P36**A*		27600	TDR			13.5	11
	FSA4X36**A*		27200	TDR&TXV	13			10.8
	FSM4X36****		27200	TDR&TXV	13			10.8
	FVM4X24****		27200	TDR&TXV	14			11.5
	FVM4X36****		27200	TDR&TXV	14			12
	FVM4X48****		27200	TDR&TXV	14			12
	FXM4X30**A*		28000	TDR&TXV	14			11.5
	FXM4X36**A*		28200	TDR&TXV	14.5			12
	FXM4X42**A*		28200	TDR&TXV	13.5			11
	EA*4X30*14A*	*8MV*0701412**	27200	TDR&TXV	13.7			11.7
	EA*4X30*14A*		27400	TXV		13		10.9
	EA*4X30*17A*	*8MV*0901716**	27400	TDR&TXV	14			12
	EA*4X30*17A*	*9MA*0601714A**	27200	TDR&TXV	14			11.5
	EA*4X30*17A*	*9MA*0801714A**	27400	TDR&TXV	14.2			11.8
	EA*4X30*17A*	*9MV*0601714A**	27400	TDR&TXV	14			11.5
	EA*4X30*17A*	*9MV*0801716A**	27400	TDR&TXV	14.2			11.8
	EA*4X30*17A*	*9MX*0601714A**	27400	TDR&TXV	14			11.5
	EA*4X30*17A*	*9MX*0801716A**	27600	TDR&TXV	14			11.5
	EA*4X30*17A*		27400	TXV		13		10.8
	EA*4X36*14A*	*8MV*0701412**	27400	TDR&TXV	14			11.7
	EA*4X36*14A*		27400	TXV		13		10.8
	EA*4X36*17A*	*8MV*0901716**	27400	TDR&TXV	14			12
	EA*4X36*17A*	*9MA*0601714A**	27400	TDR&TXV	14			11.5
	EA*4X36*17A*	*9MA*0801714A**	27600	TDR&TXV	14.2			11.8
	EA*4X36*17A*	*9MV*0601714A**	27400	TDR&TXV	14.2			11.8
	EA*4X36*17A*	*9MV*0801716A**	27600	TDR&TXV	14.2			11.8
	EA*4X36*17A*	*9MX*0601714A**	27600	TDR&TXV	14			11.5
	EA*4X36*17A*	*9MX*0801716A**	27800	TDR&TXV	14.2			11.8
	EA*4X36*17A*		27600	TXV		13		10.8
	EA*4X36*21A*	*8MV*1102120**	27600	TDR&TXV	14			12
	EA*4X36*21A*	*9MA*0601714A**	27400	TDR&TXV	14.2			11.8
	EA*4X36*21A*	*9MA*0801714A**	27600	TDR&TXV	14.2			11.8
	EA*4X36*21A*	*9MA*0802120A**	27600	TDR&TXV	14.5			12
	EA*4X36*21A*	*9MA*1002122A**	27800	TDR&TXV	14.5			12
	EA*4X36*21A*	*9MAC0602120A**	27600	TDR&TXV	14.2			11.8
	EA*4X36*21A*	*9MV*0601714A**	27600	TDR&TXV	14.2			11.8

MODEL	INDOOR MODEL	FURNACE MODEL	AHRI STANDARD RATINGS					
			COOLING					
			CAPACITY BTU/hr	Factory Installed	SEER			EER
STANDARD	TDR	TXV						
R4A330AKA	EA*4X36*21A*	*9MV*0801716A**	27600	TDR&TXV	14.2			11.8
R4A330GKA	EA*4X36*21A*	*9MV*0802120A**	27800	TDR&TXV	14.5			12
	EA*4X36*21A*	*9MV*1002120A**	27600	TDR&TXV	14.5			12
	EA*4X36*21A*	*9MX*0601714A**	27600	TDR&TXV	14.2			11.8
	EA*4X36*21A*	*9MX*0801716A**	27800	TDR&TXV	14.2			11.8
	EA*4X36*21A*	*9MA*1002120A**	27600	TDR&TXV	14.2			11.8
	EA*4X36*21A*	*9MV*1002116A**	27600	TDR&TXV	14.2			11.8
	EA*4X36*21A*		27600	TXV		13		10.8
	EA*4X42*21A*	*9MA*0802120A**	27800	TDR&TXV	14.5			12
	EA*4X42*21A*	*9MA*1002122A**	28000	TDR&TXV	14.5			12
	EA*4X42*21A*	*9MAC0602120A**	27800	TDR&TXV	14			11.7
	EA*4X42*21A*	*9MV*0802120A**	27800	TDR&TXV	14.5			11.7
	EA*4X42*21A*	*9MV*1002120A**	27800	TDR&TXV	14.5			12
	EA*4X42*21A*	*9MV*1002116A**	27800	TDR&TXV	14.5			12
	EA*4X42*21A*		27600	TXV		13		11.0
	EA*4X42*24A*		27600	TXV		13		11.0
	EHD4X30A**	*8MV*0701412**	27200	TDR&TXV	13.5			11.7
	EHD4X30A**	*8MV*0901716**	27400	TDR&TXV	14			11.7
	EHD4X30A**	*8MV*1102120**	27600	TDR&TXV	14			11.7
	EHD4X30A**	*8MV*1352422**	27600	TDR&TXV	14			11.7
	EHD4X30A**	*8MX*0701716**	27600	TDR&TXV	13.5			11.5
	EHD4X30A**	*8MX*0902116**	27600	TDR&TXV	14			11.7
	EHD4X30A**	*9MA*0601714A**	27400	TDR&TXV	14			11.5
	EHD4X30A**	*9MA*0801714A**	27600	TDR&TXV	14.2			11.8
	EHD4X30A**	*9MA*0802120A**	27600	TDR&TXV	14			11.5
	EHD4X30A**	*9MA*1002122A**	27800	TDR&TXV	14.2			11.8
	EHD4X30A**	*9MA*1202422A**	27600	TDR&TXV	14.2			11.8
	EHD4X30A**	*9MAC0602120A**	27600	TDR&TXV	14			11.5
	EHD4X30A**	*9MV*0601714A**	27400	TDR&TXV	14			11.5
	EHD4X30A**	*9MV*0801716A**	27400	TDR&TXV	14.2			11.8
	EHD4X30A**	*9MV*0802120A**	27400	TDR&TXV	14.5			11.7
	EHD4X30A**	*9MV*1002120A**	27200	TDR&TXV	14.2			11.8
	EHD4X30A**	*9MV*1202422A**	27600	TDR&TXV	14.2			11.8
	EHD4X30A**	*9MX*0601714A**	27600	TDR&TXV	14			11.5
	EHD4X30A**	*9MX*0801716A**	27800	TDR&TXV	14			11.5
	EHD4X30A**	MV08B15**B*	27200	TDR&TXV	14			12
	EHD4X30A**	MV12F19**B*	27200	TDR&TXV	14			12
	EHD4X30A**	*9MA*1002120A**	27600	TDR&TXV	14.2			11.8
	EHD4X30A**	*9MV*1002116A**	27400	TDR&TXV	14.2			11.8
	EHD4X30A**		27200	TXV		13		10.8
	EHD4X36A**	*8MV*0701412**	27800	TDR&TXV	14			12
	EHD4X36A**	*8MV*0901716**	27800	TDR&TXV	14.5			12
	EHD4X36A**	*8MV*1102120**	27800	TDR&TXV	14			12
	EHD4X36A**	*8MV*1352422**	27800	TDR&TXV	14			12
	EHD4X36A**	*8MX*0701716**	27800	TDR&TXV	13.5			11.7
	EHD4X36A**	*8MX*0902116**	27800	TDR&TXV	14			12
	EHD4X36A**	*9MA*0601714A**	27800	TDR&TXV	14.2			11.8
	EHD4X36A**	*9MA*0801714A**	28000	TDR&TXV	14.5			12
	EHD4X36A**	*9MA*0802120A**	28000	TDR&TXV	14.5			12
	EHD4X36A**	*9MA*1002122A**	28200	TDR&TXV	14.5			12

MODEL	INDOOR MODEL	FURNACE MODEL	AHRI STANDARD RATINGS				
			COOLING				EER
			CAPACITY BTU/hr	Factory Installed	SEER		
STANDARD	TDR	TXV					
R4A330AKA R4A330GKA	EHD4X36A**	*9MA*1202422A**	28000	TDR&TXV	14.5		12
	EHD4X36A**	*9MAC0602120A**	28000	TDR&TXV	14.2		11.8
	EHD4X36A**	*9MV*0601714A**	27800	TDR&TXV	14.2		11.8
	EHD4X36A**	*9MV*0801716A**	28000	TDR&TXV	14.5		12
	EHD4X36A**	*9MV*0802120A**	28000	TDR&TXV	14.5		12
	EHD4X36A**	*9MV*1002120A**	27800	TDR&TXV	14.5		12
	EHD4X36A**	*9MV*1202422A**	28000	TDR&TXV	14.5		12
	EHD4X36A**	*9MX*0601714A**	28000	TDR&TXV	14.2		11.8
	EHD4X36A**	*9MX*0801716A**	28200	TDR&TXV	14.2		11.8
	EHD4X36A**	MV08B15**B*	27200	TDR&TXV	14		12
	EHD4X36A**	MV12F19**B*	27200	TDR&TXV	14		12
	EHD4X36A**	*9MA*1002120A**	28200	TDR&TXV	14.5		12
	EHD4X36A**	*9MV*1002116A**	28000	TDR&TXV	14.5		12
	EHD4X36A**	*9MVX040	27200	TDR&TXV	13.5		11
	EHD4X36A**		27200	TXV		13	10.8
	EMA4X36D**		27200	TXV		13	10.8
	EN(A,D)4X30*14**	*8MV*0701412**	27200	TDR&TXV	14		11.7
	EN(A,D)4X30*14**		27400	TXV		13	10.8
	EN(A,D)4X30*17**	*8MV*0901716**	27400	TDR&TXV	14		11.7
	EN(A,D)4X30*17**	*8MX*0701716**	27400	TDR&TXV	14		11.5
	EN(A,D)4X30*17**	*9MA*0601714A**	27400	TDR&TXV	14		11.5
	EN(A,D)4X30*17**	*9MA*0801714A**	27400	TDR&TXV	14.2		11.8
	EN(A,D)4X30*17**	*9MV*0601714A**	27400	TDR&TXV	14		11.5
	EN(A,D)4X30*17**	*9MV*0801716A**	27400	TDR&TXV	14.2		11.8
	EN(A,D)4X30*17**	*9MX*0601714A**	27600	TDR&TXV	14		11.5
	EN(A,D)4X30*17**	*9MX*0801716A**	27600	TDR&TXV	14		11.5
	EN(A,D)4X30*17**		27400	TXV		13	10.9
	EN(A,D)4X31*17**	*9MA*0601714A**	27800	TDR&TXV	14.2		11.8
	EN(A,D)4X31*17**	*9MA*0801714A**	28000	TDR&TXV	14.5		12
	EN(A,D)4X31*17**	*9MV*0601714A**	28000	TDR&TXV	14.2		11.8
	EN(A,D)4X31*17**	*9MV*0801716A**	28000	TDR&TXV	14.5		12
	EN(A,D)4X31*17**	*9MX*0601714A**	28200	TDR&TXV	14.2		11.8
	EN(A,D)4X31*17**	*9MX*0801716A**	28400	TDR&TXV	14.2		11.8
	EN(A,D)4X36*21**	*8MV*1102120**	27400	TDR&TXV	14		11.7
	EN(A,D)4X36*21**	*8MX*0902116**	27600	TDR&TXV	14		11.7
	EN(A,D)4X36*21**	*9MA*0601714A**	27400	TDR&TXV	14		11.5
	EN(A,D)4X36*21**	*9MA*0801714A**	27400	TDR&TXV	14.2		11.8
	EN(A,D)4X36*21**	*9MA*0802120A**	27600	TDR&TXV	14		11.5
	EN(A,D)4X36*21**	*9MA*1002122A**	27600	TDR&TXV	14.5		12
	EN(A,D)4X36*21**	*9MAC0602120A**	27400	TDR&TXV	14		11.5
EN(A,D)4X36*21**	*9MV*0601714A**	27400	TDR&TXV	14		11.5	
EN(A,D)4X36*21**	*9MV*0801716A**	27400	TDR&TXV	14.2		11.8	
EN(A,D)4X36*21**	*9MV*0802120A**	27400	TDR&TXV	14.5		11.7	
EN(A,D)4X36*21**	*9MV*1002120A**	27200	TDR&TXV	14.5		12	
EN(A,D)4X36*21**	*9MX*0601714A**	27600	TDR&TXV	14		11.5	
EN(A,D)4X36*21**	*9MX*0801716A**	27800	TDR&TXV	14		11.5	

MODEL	INDOOR MODEL	FURNACE MODEL	AHRI STANDARD RATINGS					
			COOLING					
			CAPACITY BTU/hr	Factory Installed	SEER			EER
STANDARD	TDR	TXV						
R4A330AKA	EN(A,D)4X36*21**	*9MA*1002120A**	27600	TDR&TXV	14.2			11.8
R4A330GKA	EN(A,D)4X36*21**	*9MV*1002116A**	27400	TDR&TXV	14.2			11.8
	EN(A,D)4X36*21**		27400	TXV		13		10.8
	EN(A,D)4X37*17**	*8MV*0701412**	28000	TDR&TXV	14.5			12
	EN(A,D)4X37*17**	*8MV*0901716**	28000	TDR&TXV	14.5			12
	EN(A,D)4X37*17**	*8MX*0701716**	28000	TDR&TXV	14.5			12
	EN(A,D)4X37*17**	*9MA*0601714A**	28200	TDR&TXV	14.5			12
	EN(A,D)4X37*17**	*9MA*0801714A**	28400	TDR&TXV	14.5			12
	EN(A,D)4X37*17**	*9MV*0601714A**	28200	TDR&TXV	14.5			12
	EN(A,D)4X37*17**	*9MV*0801716A**	28400	TDR&TXV	14.5			12
	EN(A,D)4X37*17**	*9MX*0601714A**	28400	TDR&TXV	14.5			12
	EN(A,D)4X37*17**	*9MX*0801716A**	28600	TDR&TXV	14.5			12
	EN(A,D)4X37*17**	MV08B15**B*	28000	TDR&TXV	14.5			12
	EN(A,D)4X37*17**	NOMV106D12*	28000	TDR&TXV	14.5			12
	EN(A,D)4X37*17**		28000	TXV		13		11
	EN(A,D,W)4X36*17**	*8MV*0901716**	27400	TDR&TXV	14			11.7
	EN(A,D,W)4X36*17**	*8MX*0701716**	27400	TDR&TXV	14			11.5
	EN(A,D,W)4X36*17**	*9MA*0601714A**	27400	TDR&TXV	14			11.5
	EN(A,D,W)4X36*17**	*9MA*0801714A**	27400	TDR&TXV	14.2			11.8
	EN(A,D,W)4X36*17**	*9MV*0601714A**	27400	TDR&TXV	14			11.5
	EN(A,D,W)4X36*17**	*9MV*0801716A**	27400	TDR&TXV	14.2			11.8
	EN(A,D,W)4X36*17**	*9MX*0601714A**	27600	TDR&TXV	14			11.5
	EN(A,D,W)4X36*17**	*9MX*0801716A**	27600	TDR&TXV	14			11.5
	EN(A,D,W)4X36*17**		27400	TXV		13		10.8
	EN(A,D,W)4X42*21**	*9MA*0802120A**	27800	TDR&TXV	14.5			12
	EN(A,D,W)4X42*21**	*9MA*1002122A**	28000	TDR&TXV	14.5			12
	EN(A,D,W)4X42*21**	*9MAC0602120A**	27800	TDR&TXV	14			11.5
	EN(A,D,W)4X42*21**	*9MV*0802120A**	27800	TDR&TXV	14.5			12
	EN(A,D,W)4X42*21**	*9MV*1002120A**	27600	TDR&TXV	14.5			12
	EN(A,D,W)4X42*21**	*9MV*1002116A**	27800	TDR&TXV	14.2			11.8
	EN(A,D,W)4X42*21**		27600	TXV		13		11
	EN(A,D,W)4X48*21**	*8MX*0902116**	28400	TDR&TXV	14.5			12.2
	END4X42*17**	*8MV*0901716**	27800	TDR&TXV	14.5			12.1
	END4X42*17**		27600	TXV		13		11
	ENH4X30*17**	*8MV*0701412**	27200	TDR&TXV	14			11.7
	ENH4X30*17**	*8MV*0901716**	27400	TDR&TXV	14			11.7
	ENH4X30*17**	*8MV*1102120**	27400	TDR&TXV	14			11.7
	ENH4X30*17**	*8MV*1352422**	27400	TDR&TXV	14			12
	ENH4X30*17**	*8MX*0701716**	27400	TDR&TXV	14			11.5
	ENH4X30*17**	*8MX*0902116**	27600	TDR&TXV	14			11.7
	ENH4X30*17**	*9MA*0601714A**	27400	TDR&TXV	14			11.5
	ENH4X30*17**	*9MA*0801714A**	27400	TDR&TXV	14.2			11.8
	ENH4X30*17**	*9MA*1202422A**	27600	TDR&TXV	14.2			11.8
	ENH4X30*17**	*9MV*0601714A**	27400	TDR&TXV	14			11.5
	ENH4X30*17**	*9MV*0801716A**	27400	TDR&TXV	14.2			11.8
	ENH4X30*17**	*9MV*1202422A**	27600	TDR&TXV	14.5			12
	ENH4X30*17**	*9MX*0601714A**	27600	TDR&TXV	14			11.5
	ENH4X30*17**	*9MX*0801716A**	27600	TDR&TXV	14			11.5
	ENH4X30*17**	*9MA*1002120A**	27600	TDR&TXV	14.2			11.8
	ENH4X30*17**	*9MV*1002116A**	27400	TDR&TXV	14.2			11.8

MODEL	INDOOR MODEL	FURNACE MODEL	AHRI STANDARD RATINGS					
			COOLING					
			CAPACITY BTU/hr	Factory Installed	SEER			EER
STANDARD	TDR	TXV						
R4A330AKA	ENH4X30*17**		27400	TXV		13		10.9
R4A330GKA	ENH4X31*17**	*9MA*0601714A**	27800	TDR&TXV	14.2			11.8
	ENH4X31*17**	*9MA*0801714A**	28000	TDR&TXV	14.5			12
	ENH4X31*17**	*9MA*1202422A**	28200	TDR&TXV	14.5			12
	ENH4X31*17**	*9MV*0601714A**	28000	TDR&TXV	14.2			11.8
	ENH4X31*17**	*9MV*0801716A**	28000	TDR&TXV	14.5			12
	ENH4X31*17**	*9MV*1202422A**	28200	TDR&TXV	14.5			12
	ENH4X31*17**	*9MX*0601714A**	28200	TDR&TXV	14.2			11.8
	ENH4X31*17**	*9MX*0801716A**	28400	TDR&TXV	14.2			11.8
	ENH4X31*17**	*9MA*1002120A**	28200	TDR&TXV	14.5			12
	ENH4X31*17**	*9MV*1002116A**	28000	TDR&TXV	14.5			12
	ENH4X36*17**	*8MV*0701412**	27400	TDR&TXV	14			11.7
	ENH4X36*17**	*8MV*0901716**	27400	TDR&TXV	14			11.7
	ENH4X36*17**	*8MV*1102120**	27400	TDR&TXV	14			11.7
	ENH4X36*17**	*8MV*1352422**	27400	TDR&TXV	14			12
	ENH4X36*17**	*8MX*0701716**	27400	TDR&TXV	14			11.5
	ENH4X36*17**	*8MX*0902116**	27600	TDR&TXV	14			11.7
	ENH4X36*17**	*9MA*0601714A**	27400	TDR&TXV	14			11.5
	ENH4X36*17**	*9MA*0801714A**	27400	TDR&TXV	14.2			11.8
	ENH4X36*17**	*9MA*1202422A**	27600	TDR&TXV	14.2			11.8
	ENH4X36*17**	*9MV*0601714A**	27400	TDR&TXV	14			11.5
	ENH4X36*17**	*9MV*0801716A**	27400	TDR&TXV	14.2			11.8
	ENH4X36*17**	*9MV*1202422A**	27600	TDR&TXV	14.5			12
	ENH4X36*17**	*9MX*0601714A**	27600	TDR&TXV	14			11.5
	ENH4X36*17**	*9MX*0801716A**	27600	TDR&TXV	14			11.5
	ENH4X36*17**	*9MA*1002120A**	27600	TDR&TXV	14.2			11.8
	ENH4X36*17**	*9MV*1002116A**	27400	TDR&TXV	14.2			11.8
	ENH4X36*17**		27400	TXV		13		10.8
	ENH4X42*21**		27600	TXV		13		11

2009 ENERGY STAR compliance for combinations with both: SEER 14.50 or higher and EER 12.00 or higher.

† For coils not listed with a matching furnace or blower, coil rating applies with any indoor blower device

*Tested Combination

EER – Energy Efficiency Ratio

SEER – Seasonal Energy Efficiency Ratio

TDR - Time delay Relay

TXV – Thermostatic Expansion Valve

Ratings are net values reflecting the effects of circulating fan motor heat. Supplemental electric heat is not included.

Tested outdoor/indoor combinations have been tested in accordance with DOE test procedures for central air conditioners. Ratings for other combinations are determined under DOE computer simulation procedures.

Determine actual CFM values obtainable for your system by referring to fan performance data in fan coil or furnace literature.

COOLING PERFORMANCE FOR COMBINATION RATINGS Indoor Models

For complete ratings information, use the AHRI website directory search: www.AHRIdirectory.org.
 New ratings may be listed online before Specification Sheets are updated.

MODEL	INDOOR MODEL	FURNACE MODEL	AHRI STANDARD RATINGS					
			COOLING					
			CAPACITY BTU/hr	Factory Installed	SEER			EER
STANDARD	TDR	TXV						
R4A336AKC R4A336GKC	*EA*4X48*21A*		34,000	TXV		13.00		10.80
	FCM4X24****		33,000	TDR&TXV	13.70			11.50
	FCM4X36****		33,400	TDR&TXV	14.00			11.70
	FCM4X48****		34,200	TDR&TXV	14.50			12.20
	FCM4X60****		34,600	TDR&TXV	14.50			12.50
	FEM4P36**A*		33,200	TDR			13.20	11.00
	FEM4P42**A*		34,400	TDR			14.00	11.50
	FEM4P48**A*		34,400	TDR			14.00	11.50
	FEM4X36**A*		34,000	TDR&TXV	13.70			11.50
	FEM4X42**A*		34,000	TDR&TXV	13.70			11.50
	FS(M,U)4P36**A*		33,600	TDR			13.00	11.00
	FS(M,U)4P42**A*		34,000	TDR			13.50	11.00
	FVM4X24****		33,200	TDR&TXV	13.50			11.00
	FVM4X36****		33,400	TDR&TXV	14.00			11.50
	FVM4X48****		34,000	TDR&TXV	14.00			12.00
	FVM4X60****		34,800	TDR&TXV	14.50			12.00
	FXM4X36**A*		34,400	TDR&TXV	14.00			11.50
	FXM4X42**A*		34,400	TDR&TXV	14.00			11.50
	FXM4X48**A*		35,000	TDR&TXV	14.50			12.00
	EA*4X36*14A*	*8MV*0701412**		33,000	TDR&TXV	13.70		11.30
	EA*4X36*14A*	MV08**14C*		33,000	TDR&TXV	13.70		11.50
	EA*4X36*17A*	*8MV*0901716**		33,200	TDR&TXV	14.00		11.50
	EA*4X36*17A*	*8MX*0701716**		33,000	TDR&TXV	13.50		11.20
	EA*4X36*17A*	*9MA*0601714A**		32,600	TDR&TXV	13.50		11.20
	EA*4X36*17A*	*9MA*0801714A**		32,800	TDR&TXV	13.70		11.30
	EA*4X36*17A*	*9MV*0601714A**		33,000	TDR&TXV	13.50		11.20
	EA*4X36*17A*	*9MV*0801716A**		33,200	TDR&TXV	13.70		11.30
	EA*4X36*17A*	*9MX*0601714A**		33,000	TDR&TXV	13.50		11.20
	EA*4X36*17A*	*9MX*0801716A**		33,000	TDR&TXV	13.70		11.30
	EA*4X36*17A*	MV12**17C*		33,400	TDR&TXV	14.00		11.50
	EA*4X36*17A*	NOMV106D12*		32,800	TDR&TXV	13.50		11.30
	EA*4X36*17A*	OLV098A12A		32,800	TDR&TXV	13.20		11.20
	EA*4X36*17A*	OMV098J12A		32,800	TDR&TXV	13.20		11.20
	EA*4X36*17A*	OMV112K14A		33,000	TDR&TXV	13.50		11.30
	EA*4X36*21A*	*8MV*1102120**		33,200	TDR&TXV	14.00		11.50
	EA*4X36*21A*	*8MX*0902116**		33,400	TDR&TXV	14.00		11.70
	EA*4X36*21A*	*8MX*1102120**		33,600	TDR&TXV	14.00		11.70
	EA*4X36*21A*	*9MA*0602120A**		32,800	TDR&TXV	13.70		11.50
	EA*4X36*21A*	*9MA*0802120A**		33,000	TDR&TXV	14.00		11.70
	EA*4X36*21A*	*9MA*1002122A**		33,200	TDR&TXV	14.20		11.80
	EA*4X36*21A*	*9MV*0802120A**		33,200	TDR&TXV	14.00		11.50
	EA*4X36*21A*	*9MV*1002120A**		33,200	TDR&TXV	14.00		11.70
	EA*4X36*21A*	*9MX*1002120A**		33,800	TDR&TXV	14.00		11.50
	EA*4X36*21A*	MV16**21C*		33,400	TDR&TXV	14.00		11.70
	EA*4X36*21A*	NOMV156E19*		33,000	TDR&TXV	13.70		11.50
EA*4X36*21A*	OLV112A16A		33,200	TDR&TXV	13.50		11.30	
EA*4X42*21A*	*8MV*1102120**		33,400	TDR&TXV	14.00		11.70	
EA*4X42*21A*	*8MX*0902116**		33,600	TDR&TXV	14.00		11.70	
EA*4X42*21A*	*8MX*1102120**		33,800	TDR&TXV	14.00		11.70	
EA*4X42*21A*	*9MA*0602120A**		33,200	TDR&TXV	14.00		11.50	
EA*4X42*21A*	*9MA*0802120A**		33,200	TDR&TXV	14.00		12.00	

MODEL	INDOOR MODEL	FURNACE MODEL	AHRI STANDARD RATINGS					
			CAPACITY BTU/hr	Factory Installed	COOLING			EER
					SEER			
STANDARD	TDR	TXV						
R4A336AKC	EA*4X42*21A*	*9MA*1002122A**	33,400	TDR&TXV	14.00			12.00
R4A336GKC	EA*4X42*21A*	*9MV*0802120A**	33,400	TDR&TXV	14.00			11.70
	EA*4X42*21A*	*9MV*1002120A**	33,400	TDR&TXV	14.00			11.70
	EA*4X42*21A*	*9MX*1002120A**	34,000	TDR&TXV	14.00			11.50
	EA*4X42*21A*	MV16**21C*	33,600	TDR&TXV	14.00			11.70
	EA*4X42*21A*	NOMV156E19*	33,200	TDR&TXV	13.70			11.70
	EA*4X42*21A*	OLV112A16A	33,400	TDR&TXV	13.50			11.50
	EA*4X42*24A*	*8MV*1352422**	33,400	TDR&TXV	14.00			11.70
	EA*4X42*24A*	*9MA*1202422A**	33,200	TDR&TXV	14.00			11.70
	EA*4X42*24A*	*9MV*1202422A**	33,600	TDR&TXV	14.00			11.70
	EA*4X42*24A*	MV20**24C*	33,600	TDR&TXV	14.50			11.70
	EA*4X42*24A*	OLV154F20A	34,000	TDR&TXV	13.70			11.70
	EA*4X42*24A*	OMV154L20A	33,400	TDR&TXV	14.00			11.70
	EHD4X36A**	*8MV*0701412**	33,600	TDR&TXV	14.00			11.50
	EHD4X36A**	*8MV*0901716**	33,600	TDR&TXV	14.00			11.50
	EHD4X36A**	*8MV*1102120**	33,800	TDR&TXV	14.00			11.50
	EHD4X36A**	*8MV*1352422**	33,600	TDR&TXV	14.00			11.50
	EHD4X36A**	*8MX*0451408**	33,600	TDR&TXV	13.00			11.00
	EHD4X36A**	*8MX*0701716**	33,600	TDR&TXV	13.00			11.00
	EHD4X36A**	*8MX*0902116**	34,000	TDR&TXV	14.00			11.50
	EHD4X36A**	*8MX*1102120**	34,000	TDR&TXV	14.00			12.00
	EHD4X36A**	*9MA*0601714A**	33,400	TDR&TXV	13.70			11.30
	EHD4X36A**	*9MA*0602120A**	33,600	TDR&TXV	14.00			11.50
	EHD4X36A**	*9MA*0801714A**	33,600	TDR&TXV	14.00			11.50
	EHD4X36A**	*9MA*0802120A**	33,600	TDR&TXV	14.00			12.00
	EHD4X36A**	*9MA*1002122A**	33,800	TDR&TXV	14.00			12.00
	EHD4X36A**	*9MA*1202422A**	33,600	TDR&TXV	14.00			11.70
	EHD4X36A**	*9MV*0601714A**	33,600	TDR&TXV	13.70			11.30
	EHD4X36A**	*9MV*0801716A**	33,800	TDR&TXV	13.70			11.50
	EHD4X36A**	*9MV*0802120A**	33,800	TDR&TXV	14.00			12.00
	EHD4X36A**	*9MV*1002120A**	33,800	TDR&TXV	14.00			12.00
	EHD4X36A**	*9MV*1202422A**	33,800	TDR&TXV	14.00			11.70
	EHD4X36A**	*9MX*0601714A**	33,800	TDR&TXV	13.70			11.30
	EHD4X36A**	*9MX*0801716A**	33,800	TDR&TXV	13.70			11.50
	EHD4X36A**	*9MX*1002120A**	34,400	TDR&TXV	14.00			11.70
	EHD4X36A**	MV08**14C*	33,800	TDR&TXV	14.00			11.70
	EHD4X36A**	MV12**17C*	34,000	TDR&TXV	14.00			11.70
	EHD4X36A**	MV16**21C*	34,000	TDR&TXV	14.50			11.70
	EHD4X36A**	MV20**24C*	34,000	TDR&TXV	14.50			12.00
	EHD4X36A**	NOMV106D12*	33,400	TDR&TXV	14.00			11.50
	EHD4X36A**	NOMV156E19*	33,600	TDR&TXV	14.00			11.50
	EHD4X36A**	OLV098A12A	33,400	TDR&TXV	13.50			11.30
	EHD4X36A**	OLV112A16A	33,800	TDR&TXV	13.70			11.50
	EHD4X36A**	OLV154F20A	34,400	TDR&TXV	13.70			11.70
	EHD4X36A**	OMV098J12A	33,600	TDR&TXV	13.20			11.30
	EHD4X36A**	OMV112K14A	33,600	TDR&TXV	13.70			11.50
	EHD4X36A**	OMV154L20A	33,800	TDR&TXV	14.00			11.70
	EHD4X42A**	*8MV*0701412**	33,800	TDR&TXV	14.00			11.50
	EHD4X42A**	*8MV*0901716**	34,000	TDR&TXV	14.00			11.50
	EHD4X42A**	*8MV*1102120**	33,800	TDR&TXV	14.00			11.50
	EHD4X42A**	*8MV*1352422**	33,800	TDR&TXV	14.50			12.00
	EHD4X42A**	*8MX*0451408**	33,800	TDR&TXV	13.00			11.00
	EHD4X42A**	*8MX*0701716**	33,800	TDR&TXV	13.00			11.00
	EHD4X42A**	*8MX*0902116**	34,200	TDR&TXV	14.50			12.00

MODEL	INDOOR MODEL	FURNACE MODEL	AHRI STANDARD RATINGS					
			COOLING					
			CAPACITY BTU/hr	Factory Installed	SEER			EER
STANDARD	TDR	TXV						
R4A336AKC R4A336GKC	EHD4X42A**	*9MA*0601714A**	33,600	TDR&TXV	13.70			11.50
	EHD4X42A**	*9MA*0602120A**	33,600	TDR&TXV	14.20			11.80
	EHD4X42A**	*9MA*0801714A**	33,600	TDR&TXV	14.00			11.50
	EHD4X42A**	*9MA*0802120A**	33,800	TDR&TXV	14.50			12.00
	EHD4X42A**	*9MA*1002122A**	34,000	TDR&TXV	14.50			12.00
	EHD4X42A**	*9MA*1202422A**	33,800	TDR&TXV	14.00			11.70
	EHD4X42A**	*9MV*0601714A**	33,800	TDR&TXV	13.70			11.30
	EHD4X42A**	*9MV*0801716A**	34,000	TDR&TXV	14.00			11.50
	EHD4X42A**	*9MV*0802120A**	34,000	TDR&TXV	14.00			12.00
	EHD4X42A**	*9MV*1002120A**	34,000	TDR&TXV	14.00			12.00
	EHD4X42A**	*9MV*1202422A**	34,000	TDR&TXV	14.00			11.70
	EHD4X42A**	*9MX*0601714A**	34,000	TDR&TXV	13.70			11.50
	EHD4X42A**	*9MX*0801716A**	34,000	TDR&TXV	14.00			11.50
	EHD4X42A**	*9MX*1002120A**	34,600	TDR&TXV	14.00			11.70
	EHD4X42A**	MV08**14C*	34,000	TDR&TXV	14.00			11.70
	EHD4X42A**	MV12**17C*	34,200	TDR&TXV	14.50			12.00
	EHD4X42A**	MV16**21C*	34,200	TDR&TXV	14.50			12.00
	EHD4X42A**	MV20**24C*	34,200	TDR&TXV	14.50			12.00
	EHD4X42A**	NOMV106D12*	33,600	TDR&TXV	14.00			11.50
	EHD4X42A**	NOMV156E19*	33,800	TDR&TXV	14.00			11.50
	EHD4X42A**	OLV098A12A	33,600	TDR&TXV	13.50			11.30
	EHD4X42A**	OLV112A16A	34,000	TDR&TXV	13.70			11.50
	EHD4X42A**	OLV154F20A	34,600	TDR&TXV	14.00			11.70
	EHD4X42A**	OMV098J12A	33,800	TDR&TXV	13.50			11.30
	EHD4X42A**	OMV112K14A	33,800	TDR&TXV	13.70			11.70
	EHD4X42A**	OMV154L20A	34,000	TDR&TXV	14.00			12.00
	EN(A,D)4X36*21**	*8MV*1102120**	33,000	TDR&TXV	13.50			11.00
	EN(A,D)4X36*21**	*8MX*0902116**	33,200	TDR&TXV	14.00			11.50
	EN(A,D)4X36*21**	*8MX*1102120**	33,200	TDR&TXV	14.00			11.50
	EN(A,D)4X36*21**	*9MA*0602120A**	32,800	TDR&TXV	13.70			11.40
EN(A,D)4X36*21**	*9MA*0802120A**	33,000	TDR&TXV	14.00			11.50	
EN(A,D)4X36*21**	*9MA*1002122A**	33,000	TDR&TXV	14.00			11.50	
EN(A,D)4X36*21**	*9MV*0802120A**	33,000	TDR&TXV	14.00			11.50	
EN(A,D)4X36*21**	*9MV*1002120A**	33,000	TDR&TXV	14.00			11.50	
EN(A,D)4X36*21**	*9MX*1002120A**	33,400	TDR&TXV	13.70			11.30	
EN(A,D)4X36*21**	MV16**21C*	33,200	TDR&TXV	14.00			11.50	
EN(A,D)4X36*21**	NOMV156E19*	32,800	TDR&TXV	13.50			11.00	
EN(A,D)4X36*21**	OLV112A16A	33,000	TDR&TXV	13.20			11.20	
EN(A,D)4X37*17**	*8MV*0901716**	34,000	TDR&TXV	14.00			11.50	
EN(A,D)4X37*17**	*8MX*0701716**	34,200	TDR&TXV	14.00			11.50	
EN(A,D)4X37*17**	*9MA*0601714A**	33,800	TDR&TXV	14.00			11.50	
EN(A,D)4X37*17**	*9MA*0801714A**	34,000	TDR&TXV	14.00			11.70	
EN(A,D)4X37*17**	*9MV*0601714A**	34,200	TDR&TXV	13.70			11.50	
EN(A,D)4X37*17**	*9MV*0801716A**	34,000	TDR&TXV	14.00			11.70	
EN(A,D)4X37*17**	*9MX*0601714A**	34,200	TDR&TXV	13.70			11.50	
EN(A,D)4X37*17**	*9MX*0801716A**	34,200	TDR&TXV	14.00			11.70	
EN(A,D)4X37*17**	MV12**17C*	34,600	TDR&TXV	14.50			12.00	
EN(A,D)4X37*17**	NOMV106D12*	33,800	TDR&TXV	14.00			11.50	
EN(A,D)4X37*17**	OLV098A12A	33,800	TDR&TXV	13.70			11.50	
EN(A,D)4X37*17**	OMV098J12A	34,000	TDR&TXV	13.50			11.50	
EN(A,D)4X37*17**	OMV112K14A	34,000	TDR&TXV	13.70			11.70	
EN(A,D)4X37*17**		34,200	TXV			13.00	11.00	
EN(A,D)4X43*24**	*8MV*1352422**	34,200	TDR&TXV	14.50			12.00	
EN(A,D)4X43*24**	*9MA*1202422A**	34,200	TDR&TXV	14.50			12.00	

MODEL	INDOOR MODEL	FURNACE MODEL	AHRI STANDARD RATINGS					
			CAPACITY BTU/hr	Factory Installed	COOLING			EER
					SEER			
					STANDARD	TDR	TXV	
R4A336AKC	EN(A,D)4X43*24**	*9MV*1202422A**	34,200	TDR&TXV	14.50			12.00
R4A336GKC	EN(A,D)4X43*24**	MV20**24C*	34,400	TDR&TXV	14.50			12.20
	EN(A,D)4X43*24**	OLV154F20A	35,000	TDR&TXV	14.00			12.00
	EN(A,D)4X43*24**	OMV154L20A	34,400	TDR&TXV	14.50			12.20
	EN(A,D)4X43*24**		34,200	TXV		13.00		11.00
	EN(A,D,W)4X36*17**	*8MV*0901716**	33,000	TDR&TXV	13.50			11.00
	EN(A,D,W)4X36*17**	*8MX*0701716**	33,000	TDR&TXV	13.00			11.00
	EN(A,D,W)4X36*17**	*9MA*0601714A**	32,600	TDR&TXV	13.50			11.20
	EN(A,D,W)4X36*17**	*9MA*0801714A**	32,800	TDR&TXV	13.70			11.30
	EN(A,D,W)4X36*17**	*9MV*0601714A**	32,800	TDR&TXV	13.20			11.20
	EN(A,D,W)4X36*17**	*9MV*0801716A**	33,000	TDR&TXV	13.70			11.30
	EN(A,D,W)4X36*17**	*9MX*0601714A**	33,000	TDR&TXV	13.50			11.20
	EN(A,D,W)4X36*17**	*9MX*0801716A**	33,000	TDR&TXV	13.50			11.20
	EN(A,D,W)4X36*17**	MV12**17C*	33,200	TDR&TXV	14.00			11.50
	EN(A,D,W)4X36*17**	NOMV106D12*	32,600	TDR&TXV	13.00			11.00
	EN(A,D,W)4X36*17**	OLV098A12A	32,800	TDR&TXV	13.00			11.20
	EN(A,D,W)4X36*17**	OMV098J12A	32,800	TDR&TXV	13.00			11.00
	EN(A,D,W)4X36*17**	OMV112K14A	33,000	TDR&TXV	13.50			11.30
	EN(A,D,W)4X42*21**	*8MV*1102120**	33,200	TDR&TXV	14.00			11.50
	EN(A,D,W)4X42*21**	*8MX*0902116**	33,200	TDR&TXV	14.00			11.50
	EN(A,D,W)4X42*21**	*8MX*1102120**	33,600	TDR&TXV	14.00			11.50
	EN(A,D,W)4X42*21**	*9MA*0602120A**	33,200	TDR&TXV	13.70			11.50
	EN(A,D,W)4X42*21**	*9MA*0802120A**	33,200	TDR&TXV	14.00			11.70
	EN(A,D,W)4X42*21**	*9MA*1002122A**	33,400	TDR&TXV	14.20			11.70
	EN(A,D,W)4X42*21**	*9MV*0802120A**	33,400	TDR&TXV	14.00			11.50
	EN(A,D,W)4X42*21**	*9MV*1002120A**	33,400	TDR&TXV	14.00			11.70
	EN(A,D,W)4X42*21**	*9MX*1002120A**	33,800	TDR&TXV	14.00			11.50
	EN(A,D,W)4X42*21**	MV16**21C*	33,600	TDR&TXV	14.00			11.70
	EN(A,D,W)4X42*21**	NOMV156E19*	33,200	TDR&TXV	14.00			11.50
	EN(A,D,W)4X42*21**	OLV112A16A	33,400	TDR&TXV	13.50			11.30
	END4X42*17**	*8MV*0901716**	33,200	TDR&TXV	14.00			11.50
	END4X42*17**	*8MX*0701716**	33,200	TDR&TXV	13.00			11.00
	END4X42*17**	*9MA*0601714A**	33,200	TDR&TXV	13.70			11.30
	END4X42*17**	*9MA*0801714A**	33,400	TDR&TXV	13.70			11.50
	END4X42*17**	*9MV*0601714A**	33,600	TDR&TXV	13.70			11.30
	END4X42*17**	*9MV*0801716A**	33,600	TDR&TXV	13.70			11.50
	END4X42*17**	*9MX*0601714A**	33,600	TDR&TXV	13.70			11.30
	END4X42*17**	*9MX*0801716A**	33,600	TDR&TXV	13.70			11.50
	END4X42*17**	MV12**17C*	33,800	TDR&TXV	14.00			11.70
	END4X42*17**	NOMV106D12*	33,200	TDR&TXV	13.50			11.00
	END4X42*17**	OLV098A12A	33,400	TDR&TXV	13.20			11.30
	END4X42*17**	OMV098J12A	33,400	TDR&TXV	13.20			11.30
	END4X42*17**	OMV112K14A	33,600	TDR&TXV	13.70			11.50
	ENH4X36*17**	*8MV*0901716**	33,000	TDR&TXV	13.50			11.00
	ENH4X36*17**	*8MX*0701716**	32,800	TDR&TXV	13.00			11.00
	ENH4X36*17**	*9MA*0601714A**	32,600	TDR&TXV	13.50			11.20
	ENH4X36*17**	*9MA*0801714A**	32,800	TDR&TXV	13.70			11.30
	ENH4X36*17**	*9MV*0601714A**	32,800	TDR&TXV	13.20			11.20
	ENH4X36*17**	*9MV*0801716A**	33,000	TDR&TXV	13.70			11.30
	ENH4X36*17**	*9MX*0601714A**	33,000	TDR&TXV	13.50			11.20
	ENH4X36*17**	*9MX*0801716A**	33,000	TDR&TXV	13.50			11.20
	ENH4X36*17**	MV12**17C*	33,200	TDR&TXV	14.00			11.50
	ENH4X36*17**	NOMV106D12*	32,600	TDR&TXV	13.00			11.00
	ENH4X36*17**	OLV098A12A	32,800	TDR&TXV	13.00			11.20

MODEL	INDOOR MODEL	FURNACE MODEL	COOLING					
			CAPACITY BTU/hr	Factory Installed	SEER			EER
					STANDARD	TDR	TXV	
R4A336AKC	ENH4X36*17**	OMV112K14A	33,000	TDR&TXV	13.50			11.30
R4A336GKC	ENH4X36*17**	OMV098J12A	32,800	TDR&TXV	13.00			11.00
	ENH4X42*21**	*8MV*1102120**	33,200	TDR&TXV	14.00			11.50
	ENH4X42*21**	*8MX*0902116**	33,200	TDR&TXV	14.00			11.50
	ENH4X42*21**	*8MX*1102120**	33,600	TDR&TXV	14.00			11.50
	ENH4X42*21**	*9MA*0602120A**	33,200	TDR&TXV	13.70			11.50
	ENH4X42*21**	*9MA*0802120A**	33,200	TDR&TXV	14.00			11.70
	ENH4X42*21**	*9MA*1002122A**	33,400	TDR&TXV	14.20			11.70
	ENH4X42*21**	*9MV*0802120A**	33,400	TDR&TXV	14.00			11.50
	ENH4X42*21**	*9MV*1002120A**	33,400	TDR&TXV	14.00			11.70
	ENH4X42*21**	*9MX*1002120A**	33,800	TDR&TXV	14.00			11.50
	ENH4X42*21**	MV16**21C*	33,600	TDR&TXV	14.00			11.70
	ENH4X42*21**	NOMV156E19*	33,200	TDR&TXV	14.00			11.50
	ENH4X42*21**	OLV112A16A	33,400	TDR&TXV	13.50			11.30
	ENH4X43*21**	*8MV*1102120**	34,200	TDR&TXV	14.50			12.00
	ENH4X43*21**	*8MX*0902116**	34,200	TDR&TXV	14.50			12.00
	ENH4X43*21**	*8MX*1102120**	34,600	TDR&TXV	14.50			12.00
	ENH4X43*21**	*9MA*0602120A**	34,000	TDR&TXV	14.00			12.00
	ENH4X43*21**	*9MA*0802120A**	34,200	TDR&TXV	14.50			12.00
	ENH4X43*21**	*9MA*1002122A**	34,200	TDR&TXV	14.50			12.00
	ENH4X43*21**	*9MV*0802120A**	34,400	TDR&TXV	14.50			12.00
	ENH4X43*21**	*9MV*1002120A**	34,400	TDR&TXV	14.50			12.00
	ENH4X43*21**	*9MX*1002120A**	35,000	TDR&TXV	14.00			12.00
	ENH4X43*21**	MV16**21C*	34,600	TDR&TXV	14.50			12.20
	ENH4X43*21**	NOMV156E19*	34,000	TDR&TXV	14.50			12.00
	ENH4X43*21**	OLV112A16A	34,200	TDR&TXV	13.70			11.70
	ENH4X43*21**		34,200	TXV		13.00		11.00

2009 ENERGY STAR compliance for combinations with both: SEER 14.50 or higher and EER 12.00 or higher.

† For coils not listed with a matching furnace or blower, coil rating applies with any indoor blower device

*Tested Combination

EER – Energy Efficiency Ratio

SEER – Seasonal Energy Efficiency Ratio

TDR - Time delay Relay

TXV – Thermostatic Expansion Valve

Ratings are net values reflecting the effects of circulating fan motor heat. Supplemental electric heat is not included.

Tested outdoor/indoor combinations have been tested in accordance with DOE test procedures for central air conditioners. Ratings for other combinations are determined under DOE computer simulation procedures.

Determine actual CFM values obtainable for your system by referring to fan performance data in fan coil or furnace literature.

COOLING PERFORMANCE FOR COMBINATION RATINGS Indoor Models

For complete ratings information, use the AHRI website directory search: www.AHRIdirectory.org.
New ratings may be listed online before Specification Sheets are updated.

MODEL	INDOOR MODEL	FURNACE MODEL	AHRI STANDARD RATINGS						
			COOLING						
			CAPACITY BTU/hr	Factory Installed	SEER			EER	
STANDARD	TDR	TXV							
R4A342AKA R4A342GKA	*ED*4X42J**		40000	TXV		13		11	
	FEM4P42**A*		41000	TDR			13	11	
	FEM4P48**A*		41000	TDR			13	11	
	FEM4X42****		39500	TDR&TXV	13.5			11.5	
	FEM4X48****		40000	TDR&TXV	13.5			11.5	
	FS(M,U)4P42**A*		41000	TDR			13	11	
	FS(M,U)4P48**A*		41000	TDR			13	11	
	FS(M,U)4X42****		39500	TDR&TXV	13			11	
	FS(M,U)4X48****		39500	TDR&TXV	13			11	
	FVM4X36****		40000	TDR&TXV	14			11.5	
	FVM4X36****		40000	TDR&TXV	14			11.5	
	FVM4X48****		39500	TDR&TXV	14			12	
	FVM4X60****		40000	TDR&TXV	14			12	
	FXM4X42**A*		41500	TDR&TXV	13.85			11.5	
	FXM4X48**A*		42000	TDR&TXV	14.35			12	
	FXM4X60**A*		42500	TDR&TXV	14.5			12	
	EA*4X42*21A*	*8MV*0901716**		40000	TDR&TXV	13.5			11.3
	EA*4X42*21A*	*8MV*1102120**		40000	TDR&TXV	13.7			11.5
	EA*4X42*21A*	*8MX*0902116**		40000	TDR&TXV	13.7			11.5
	EA*4X42*21A*	*8MX*1102120**		40500	TDR&TXV	13.7			11.5
	EA*4X42*21A*	*9MA*0601714A**		39500	TDR&TXV	13.3			11
	EA*4X42*21A*	*9MA*0801714A**		39500	TDR&TXV	13.5			11.2
	EA*4X42*21A*	*9MA*0802120A**		39500	TDR&TXV	13.7			11.3
	EA*4X42*21A*	*9MA*1002122A**		40000	TDR&TXV	13.7			11.5
	EA*4X42*21A*	*9MAC0602120A**		39500	TDR&TXV	13.5			11.2
	EA*4X42*21A*	*9MV*0802120A**		40000	TDR&TXV	13.5			11.3
	EA*4X42*21A*	*9MV*1002120A**		40000	TDR&TXV	13.7			11.5
	EA*4X42*21A*	*9MX*0601714A**		40000	TDR&TXV	13			11
	EA*4X42*21A*	*9MX*0801716A**		40000	TDR&TXV	13.3			11
	EA*4X42*21A*	*9MX*0802120A**		40500	TDR&TXV	13.5			11.3
	EA*4X42*21A*	*9MX*1002120A**		40000	TDR&TXV	13.7			11.5
	EA*4X42*21A*	*9MA*1002120A**		39500	TDR&TXV	13.7			11.4
	EA*4X42*21A*	*9MX*1002116A**		40000	TDR&TXV	13.5			11.2
	EA*4X42*24A*	*8MV*1102120**		40000	TDR&TXV	13.7			11.5
	EA*4X42*24A*	*8MV*1352422**		40000	TDR&TXV	13.7			11.5
	EA*4X42*24A*	*8MX*0902116**		40000	TDR&TXV	13.7			11.5
	EA*4X42*24A*	*8MX*1102120**		40500	TDR&TXV	13.7			11.5
	EA*4X42*24A*	*8MX*1352420**		40500	TDR&TXV	13.7			11.5
	EA*4X42*24A*	*9MA*0802120A**		40000	TDR&TXV	13.7			11.5
	EA*4X42*24A*	*9MA*1002122A**		40000	TDR&TXV	13.7			11.5
	EA*4X42*24A*	*9MA*1202422A**		40000	TDR&TXV	13.7			11.4
	EA*4X42*24A*	*9MAC0602120A**		39500	TDR&TXV	13.2			11.3
	EA*4X42*24A*	*9MV*0802120A**		40000	TDR&TXV	13.5			11.3
	EA*4X42*24A*	*9MV*1002120A**		40000	TDR&TXV	13.7			11.5
	EA*4X42*24A*	*9MX*0802120A**		40500	TDR&TXV	13.5			11.3
	EA*4X42*24A*	*9MX*1002120A**		40000	TDR&TXV	13.7			11.5
	EA*4X42*24A*	*9MX*1202422A**		40500	TDR&TXV	13.7			11.4
EA*4X42*24A*	*9MA*1002120A**		39500	TDR&TXV	13.7			11.4	
EA*4X42*24A*	*9MX*1002116A**		40000	TDR&TXV	13.5			11.2	

MODEL	INDOOR MODEL	FURNACE MODEL	AHRI STANDARD RATINGS					
			COOLING					
			CAPACITY BTU/hr	Factory Installed	SEER			EER
STANDARD	TDR	TXV						
R4A342AKA	EA*4X48*17A*	*8MV*0701412**	41000	TDR&TXV	13.2			11.3
R4A342GKA	EA*4X48*17A*	*8MV*0901716**	41000	TDR&TXV	13.7			11.5
	EA*4X48*17A*	*8MX*0701716**	41000	TDR&TXV	13			11.2
	EA*4X48*17A*	*9MA*0601714A**	40500	TDR&TXV	13.5			11.2
	EA*4X48*17A*	*9MA*0801714A**	40500	TDR&TXV	13.7			11.4
	EA*4X48*17A*	*9MX*0601714A**	41000	TDR&TXV	13.5			11.2
	EA*4X48*17A*	*9MX*0801716A**	41000	TDR&TXV	13.5			11.2
	EA*4X48*21A*	*8MV*0901716**	40500	TDR&TXV	13.7			11.5
	EA*4X48*21A*	*8MV*1102120**	40500	TDR&TXV	13.7			11.5
	EA*4X48*21A*	*8MX*0701716**	40500	TDR&TXV	13			11
	EA*4X48*21A*	*8MX*0902116**	41000	TDR&TXV	13.7			11.5
	EA*4X48*21A*	*8MX*1102120**	41000	TDR&TXV	13.7			11.7
	EA*4X48*21A*	*9MA*0601714A**	40000	TDR&TXV	13.3			11
	EA*4X48*21A*	*9MA*0801714A**	40000	TDR&TXV	13.5			11.2
	EA*4X48*21A*	*9MA*0802120A**	40500	TDR&TXV	13.7			11.5
	EA*4X48*21A*	*9MA*1002122A**	41000	TDR&TXV	13.7			11.5
	EA*4X48*21A*	*9MAC0602120A**	40000	TDR&TXV	13.5			11.3
	EA*4X48*21A*	*9MV*0802120A**	40500	TDR&TXV	13.7			11.5
	EA*4X48*21A*	*9MV*1002120A**	40500	TDR&TXV	13.7			11.5
	EA*4X48*21A*	*9MX*0601714A**	40500	TDR&TXV	13.3			11
	EA*4X48*21A*	*9MX*0801716A**	40500	TDR&TXV	13.3			11
	EA*4X48*21A*	*9MX*0802120A**	41000	TDR&TXV	13.7			11.5
	EA*4X48*21A*	*9MX*1002120A**	40500	TDR&TXV	13.7			11.5
	EA*4X48*21A*	*9MA*1002120A**	40500	TDR&TXV	13.7			11.4
	EA*4X48*21A*	*9MX*1002116A**	40500	TDR&TXV	13.7			11.4
	EA*4X48*24A*	*8MV*1102120**	41000	TDR&TXV	13.7			11.5
	EA*4X48*24A*	*8MV*1352422**	41000	TDR&TXV	14			11.7
	EA*4X48*24A*	*8MX*0902116**	41000	TDR&TXV	13.7			11.5
	EA*4X48*24A*	*8MX*1102120**	41000	TDR&TXV	14			11.7
	EA*4X48*24A*	*8MX*1352420**	41000	TDR&TXV	13.7			11.7
	EA*4X48*24A*	*9MA*0802120A**	40500	TDR&TXV	13.7			11.5
	EA*4X48*24A*	*9MA*1002122A**	41000	TDR&TXV	13.7			11.7
	EA*4X48*24A*	*9MA*1202422A**	40500	TDR&TXV	14			11.5
	EA*4X48*24A*	*9MAC0602120A**	40500	TDR&TXV	13.5			11.3
	EA*4X48*24A*	*9MV*0802120A**	41000	TDR&TXV	13.7			11.5
	EA*4X48*24A*	*9MV*1002120A**	41000	TDR&TXV	13.7			11.7
	EA*4X48*24A*	*9MX*0802120A**	41000	TDR&TXV	13.7			11.5
	EA*4X48*24A*	*9MX*1002120A**	41000	TDR&TXV	13.7			11.5
	EA*4X48*24A*	*9MX*1202422A**	41000	TDR&TXV	14			11.5
	EA*4X48*24A*	*9MA*1002120A**	40500	TDR&TXV	13.7			11.4
	EA*4X48*24A*	*9MX*1002116A**	40500	TDR&TXV	13.7			11.4
	EHD4X42A**	*8MV*0701412**	41000	TDR&TXV	13			11
	EHD4X42A**	*8MV*0901716**	41000	TDR&TXV	14			11.5
	EHD4X42A**	*8MV*1102120**	41000	TDR&TXV	14			11.5
	EHD4X42A**	*8MV*1352422**	41000	TDR&TXV	14.25			12
	EHD4X42A**	*8MX*0701716**	41000	TDR&TXV	13			11
	EHD4X42A**	*8MX*0902116**	41000	TDR&TXV	14			11.5
	EHD4X42A**	*8MX*1102120**	41000	TDR&TXV	14.25			12
	EHD4X42A**	*8MX*1352420**	41000	TDR&TXV	14			11.5
	EHD4X42A**	*9MA*0601714A**	40500	TDR&TXV	13.5			11.2
	EHD4X42A**	*9MA*0801714A**	40500	TDR&TXV	13.7			11.4

MODEL	INDOOR MODEL	FURNACE MODEL	AHRI STANDARD RATINGS						
			CAPACITY BTU/hr	Factory Installed	COOLING			EER	
					SEER				
			STANDARD	TDR	TXV				
R4A342AKA R4A342GKA	EHD4X42A**	*9MA*0802120A**	40500	TDR&TXV	13.7			11.5	
	EHD4X42A**	*9MA*1002122A**	41000	TDR&TXV	13.7			11.7	
	EHD4X42A**	*9MA*1202422A**	40500	TDR&TXV	14			11.5	
	EHD4X42A**	*9MAC0602120A**	40500	TDR&TXV	13.5			11.3	
	EHD4X42A**	*9MV*0802120A**	41000	TDR&TXV	13.7			11.5	
	EHD4X42A**	*9MV*1002120A**	41000	TDR&TXV	13.7			11.7	
	EHD4X42A**	*9MX*0601714A**	41000	TDR&TXV	13.5			11.2	
	EHD4X42A**	*9MX*0801716A**	41000	TDR&TXV	13.5			11.2	
	EHD4X42A**	*9MX*0802120A**	41000	TDR&TXV	13.7			11.5	
	EHD4X42A**	*9MX*1002120A**	41000	TDR&TXV	13.7			11.5	
	EHD4X42A**	*9MX*1202422A**	41500	TDR&TXV	14			11.5	
	EHD4X42A**	MV12F19**B*		39000	TDR&TXV	14			12
	EHD4X42A**	MV16J22**B*		39000	TDR&TXV	14			12
	EHD4X42A**	MV20L24**B*		39000	TDR&TXV	14			12
	EHD4X42A**	NOMV156E19*		41000	TDR&TXV	14			11.5
	EHD4X42A**	*9MA*1002120A**		40500	TDR&TXV	13.7			11.4
	EHD4X42A**	*9MX*1002116A**		40500	TDR&TXV	13.7			11.4
	EHD4X42A**			39000	TXV		13		11
	EHD4X48A**	*8MV*0701412**		41000	TDR&TXV	13			11
	EHD4X48A**	*8MV*0901716**		41000	TDR&TXV	14			11.5
	EHD4X48A**	*8MV*1102120**		41000	TDR&TXV	14			11.5
	EHD4X48A**	*8MV*1352422**		41000	TDR&TXV	14.3			12
	EHD4X48A**	*8MX*0701716**		41000	TDR&TXV	13			11
	EHD4X48A**	*8MX*0902116**		41000	TDR&TXV	14.15			11.9
	EHD4X48A**	*8MX*1102120**		41000	TDR&TXV	14.3			12
	EHD4X48A**	*8MX*1352420**		41000	TDR&TXV	14.15			11.9
	EHD4X48A**	*9MA*0601714A**		40500	TDR&TXV	13.5			11.2
	EHD4X48A**	*9MA*0801714A**		40500	TDR&TXV	13.7			11.4
	EHD4X48A**	*9MA*0802120A**		41000	TDR&TXV	13.7			11.5
	EHD4X48A**	*9MA*1002122A**		41000	TDR&TXV	14			11.7
	EHD4X48A**	*9MA*1202422A**		41000	TDR&TXV	14			11.5
	EHD4X48A**	*9MAC0602120A**		40500	TDR&TXV	13.5			11.3
	EHD4X48A**	*9MV*0802120A**		41000	TDR&TXV	13.7			11.5
	EHD4X48A**	*9MV*1002120A**		41000	TDR&TXV	14			11.7
	EHD4X48A**	*9MX*0601714A**		41000	TDR&TXV	13.5			11.2
	EHD4X48A**	*9MX*0801716A**		41000	TDR&TXV	13.5			11.2
	EHD4X48A**	*9MX*0802120A**		41500	TDR&TXV	13.7			11.5
	EHD4X48A**	*9MX*1002120A**		41000	TDR&TXV	14			11.7
	EHD4X48A**	*9MX*1202422A**		41500	TDR&TXV	14			11.5
	EHD4X48A**	MV12F19**B*		39000	TDR&TXV	14			12
EHD4X48A**	MV16J22**B*		39000	TDR&TXV	14			12	
EHD4X48A**	MV20L24**B*		39000	TDR&TXV	14			12	
EHD4X48A**	NOMV156E19*		41000	TDR&TXV	14			11.5	
EHD4X48A**	*9MA*1002120A**		41000	TDR&TXV	13.7			11.4	
EHD4X48A**	*9MX*1002116A**		41000	TDR&TXV	13.7			11.4	
EHD4X48A**			39500	TXV		13		11	
EMA4X48D**			39500	TXV		13		11	
EN(A,D)4X43*24**	*8MV*1102120**		41000	TDR&TXV	14.35			12	
EN(A,D)4X43*24**	*8MV*1352422**		41000	TDR&TXV	14.5			12	
EN(A,D)4X43*24**	*8MX*0902116**		41000	TDR&TXV	14.3			12	
EN(A,D)4X43*24**	*8MX*1102120**		41000	TDR&TXV	14.45			12	

MODEL	INDOOR MODEL	FURNACE MODEL	AHRI STANDARD RATINGS					
			COOLING					
			CAPACITY BTU/hr	Factory Installed	SEER			EER
STANDARD	TDR	TXV						
R4A342AKA	EN(A,D)4X43*24**	*8MX*1352420**	41000	TDR&TXV	14.35			12
R4A342GKA	EN(A,D)4X43*24**	*9MA*0802120A**	41000	TDR&TXV	14			11.7
	EN(A,D)4X43*24**	*9MA*1002122A**	41500	TDR&TXV	14			11.7
	EN(A,D)4X43*24**	*9MA*1202422A**	41000	TDR&TXV	14.2			11.8
	EN(A,D)4X43*24**	*9MAC0602120A**	41000	TDR&TXV	13.7			11.5
	EN(A,D)4X43*24**	*9MV*0802120A**	41500	TDR&TXV	14			11.7
	EN(A,D)4X43*24**	*9MV*1002120A**	41500	TDR&TXV	14			11.7
	EN(A,D)4X43*24**	*9MX*0802120A**	42000	TDR&TXV	13.7			11.7
	EN(A,D)4X43*24**	*9MX*1002120A**	41500	TDR&TXV	14			11.7
	EN(A,D)4X43*24**	*9MX*1202422A**	42000	TDR&TXV	14.2			11.8
	EN(A,D)4X43*24**	MV16J22**B*	41000	TDR&TXV	14.5			12
	EN(A,D)4X43*24**	MV20L24**B*	41000	TDR&TXV	14.5			12
	EN(A,D)4X43*24**	NOMV156E19*	41000	TDR&TXV	14.25			12
	EN(A,D)4X43*24**	*9MA*1002120A**	41000	TDR&TXV	14			11.5
	EN(A,D)4X43*24**	*9MX*1002116A**	41500	TDR&TXV	13.7			11.4
	EN(A,D)4X43*24**		41000	TXV		13		11
	EN(A,D)4X48*24**	*8MV*1102120**	41000	TDR&TXV	14			11.5
	EN(A,D)4X48*24**	*8MV*1352422**	41000	TDR&TXV	14.35			12
	EN(A,D)4X48*24**	*8MX*0902116**	41000	TDR&TXV	14			11.5
	EN(A,D)4X48*24**	*8MX*1102120**	41000	TDR&TXV	14.25			12
	EN(A,D)4X48*24**	*8MX*1352420**	41000	TDR&TXV	14.15			11.9
	EN(A,D)4X48*24**	*9MA*0802120A**	40500	TDR&TXV	13.7			11.5
	EN(A,D)4X48*24**	*9MA*1002122A**	41000	TDR&TXV	14			11.7
	EN(A,D)4X48*24**	*9MA*1202422A**	40500	TDR&TXV	14			11.5
	EN(A,D)4X48*24**	*9MAC0602120A**	40500	TDR&TXV	13.5			11.3
	EN(A,D)4X48*24**	*9MV*0802120A**	41000	TDR&TXV	13.7			11.5
	EN(A,D)4X48*24**	*9MV*1002120A**	41000	TDR&TXV	13.7			11.7
	EN(A,D)4X48*24**	*9MX*0802120A**	41000	TDR&TXV	13.7			11.5
	EN(A,D)4X48*24**	*9MX*1002120A**	41000	TDR&TXV	13.7			11.7
	EN(A,D)4X48*24**	*9MX*1202422A**	41500	TDR&TXV	14			11.5
	EN(A,D)4X48*24**	MV16J22**B*	41000	TDR&TXV	14.5			12
	EN(A,D)4X48*24**	MV20L24**B*	41000	TDR&TXV	14.5			12
	EN(A,D)4X48*24**	NOMV156E19*	41000	TDR&TXV	14			11.5
	EN(A,D)4X48*24**	*9MX*1002116A**	40500	TDR&TXV	13.7			11.4
	EN(A,D)4X48*24**		41000	TXV		13		11
	EN(A,D,W)4X42*21**	*8MV*0901716**	40500	TDR&TXV	13			11
	EN(A,D,W)4X42*21**	*8MV*1102120**	40500	TDR&TXV	13			11
	EN(A,D,W)4X42*21**	*8MX*0701716**	40000	TDR&TXV	13			11
	EN(A,D,W)4X42*21**	*8MX*0902116**	40500	TDR&TXV	13.85			11.5
	EN(A,D,W)4X42*21**	*8MX*1102120**	40500	TDR&TXV	13.95			11.5
	EN(A,D,W)4X42*21**	*9MA*0601714A**	39500	TDR&TXV	13			11
	EN(A,D,W)4X42*21**	*9MA*0801714A**	39500	TDR&TXV	13.3			11
	EN(A,D,W)4X42*21**	*9MA*0802120A**	40000	TDR&TXV	13.5			11.3
	EN(A,D,W)4X42*21**	*9MA*1002122A**	40000	TDR&TXV	13.5			11.3
	EN(A,D,W)4X42*21**	*9MAC0602120A**	39500	TDR&TXV	13.2			11.2
	EN(A,D,W)4X42*21**	*9MV*0802120A**	40000	TDR&TXV	13.5			11.3
	EN(A,D,W)4X42*21**	*9MV*1002120A**	40000	TDR&TXV	13.5			11.3
	EN(A,D,W)4X42*21**	*9MX*0601714A**	40000	TDR&TXV	13			11
	EN(A,D,W)4X42*21**	*9MX*0801716A**	40000	TDR&TXV	13			11
	EN(A,D,W)4X42*21**	*9MX*0802120A**	40000	TDR&TXV	13.5			11.3
	EN(A,D,W)4X42*21**	*9MX*1002120A**	40000	TDR&TXV	13.5			11.3

MODEL	INDOOR MODEL	FURNACE MODEL	AHRI STANDARD RATINGS					
			COOLING					
			CAPACITY BTU/hr	Factory Installed	SEER			EER
STANDARD	TDR	TXV						
R4A342AKA R4A342GKA	EN(A,D,W)4X42*21**	MV12F19**B*	41000	TDR&TXV	14			11.5
	EN(A,D,W)4X42*21**	NOMV156E19*	40000	TDR&TXV	13			11
	EN(A,D,W)4X42*21**	*8MPV075	40500	TDR&TXV	13			11
	EN(A,D,W)4X42*21**	*9MA*1002120A**	40000	TDR&TXV	13.5			11.2
	EN(A,D,W)4X42*21**	*9MX*1002116A**	40000	TDR&TXV	13.5			11.2
	EN(A,D,W)4X42*21**		41000	TXV			12.9	10.9
	EN(A,D,W)4X48*21**	*8MV*0901716**	41000	TDR&TXV	14			11.5
	EN(A,D,W)4X48*21**	*8MV*1102120**	41000	TDR&TXV	14			11.5
	EN(A,D,W)4X48*21**	*8MX*0701716**	41000	TDR&TXV	13			11
	EN(A,D,W)4X48*21**	*8MX*0902116**	41000	TDR&TXV	14			11.5
	EN(A,D,W)4X48*21**	*8MX*1102120**	41000	TDR&TXV	14.25			12
	EN(A,D,W)4X48*21**	*9MA*0601714A**	40000	TDR&TXV	13.5			11.2
	EN(A,D,W)4X48*21**	*9MA*0801714A**	40500	TDR&TXV	13.7			11.4
	EN(A,D,W)4X48*21**	*9MA*0802120A**	40500	TDR&TXV	13.7			11.5
	EN(A,D,W)4X48*21**	*9MA*1002122A**	41000	TDR&TXV	14			11.7
	EN(A,D,W)4X48*21**	*9MAC0602120A**	40500	TDR&TXV	13.5			11.3
	EN(A,D,W)4X48*21**	*9MV*0802120A**	41000	TDR&TXV	13.7			11.5
	EN(A,D,W)4X48*21**	*9MV*1002120A**	41000	TDR&TXV	13.7			11.7
	EN(A,D,W)4X48*21**	*9MX*0601714A**	40500	TDR&TXV	13.5			11.2
	EN(A,D,W)4X48*21**	*9MX*0801716A**	41000	TDR&TXV	13.5			11.2
	EN(A,D,W)4X48*21**	*9MX*0802120A**	41000	TDR&TXV	13.7			11.5
	EN(A,D,W)4X48*21**	*9MX*1002120A**	41000	TDR&TXV	13.7			11.7
	EN(A,D,W)4X48*21**	MV12F19**B*	41000	TDR&TXV	14.45			12
	EN(A,D,W)4X48*21**	NOMV156E19*	41000	TDR&TXV	14			11.5
	EN(A,D,W)4X48*21**	*9MA*1002120A**	40500	TDR&TXV	13.7			11.4
	EN(A,D,W)4X48*21**	*9MX*1002116A**	40500	TDR&TXV	13.7			11.4
	EN(A,D,W)4X48*21**		41000	TXV			13	11
	END4X42*17**	*8MV*0701412**	40500	TDR&TXV	13			11
	END4X42*17**	*8MV*0901716**	41000	TDR&TXV	13.85			11.5
	END4X42*17**	*8MX*0701716**	41000	TDR&TXV	13			11
	END4X42*17**	*9MA*0601714A**	40000	TDR&TXV	13.3			11
	END4X42*17**	*9MA*0801714A**	40000	TDR&TXV	13.5			11.2
	END4X42*17**	*9MX*0601714A**	40000	TDR&TXV	13.3			11
	END4X42*17**	*9MX*0801716A**	40500	TDR&TXV	13.3			11
	END4X42*17**		41000	TXV			13	11
	ENH4X42*21**	*8MV*0701412**	40000	TDR&TXV	13			11
	ENH4X42*21**	*8MV*0901716**	40500	TDR&TXV	13			11
	ENH4X42*21**	*8MV*1102120**	40500	TDR&TXV	13			11
	ENH4X42*21**	*8MV*1352422**	40500	TDR&TXV	13.95			11.5
	ENH4X42*21**	*8MX*0701716**	40000	TDR&TXV	13			11
ENH4X42*21**	*8MX*0902116**	40500	TDR&TXV	13.85			11.5	
ENH4X42*21**	*8MX*1102120**	40500	TDR&TXV	13.95			11.5	
ENH4X42*21**	*8MX*1352420**	40500	TDR&TXV	13.85			11.5	
ENH4X42*21**	*9MA*0601714A**	39500	TDR&TXV	13			11	
ENH4X42*21**	*9MA*0801714A**	39500	TDR&TXV	13.3			11	
ENH4X42*21**	*9MA*0802120A**	40000	TDR&TXV	13.5			11.3	
ENH4X42*21**	*9MA*1002122A**	40000	TDR&TXV	13.5			11.3	
ENH4X42*21**	*9MA*1202422A**	40000	TDR&TXV	13.7			11.4	
ENH4X42*21**	*9MAC0602120A**	39500	TDR&TXV	13.2			11.2	

MODEL	INDOOR MODEL	FURNACE MODEL	AHRI STANDARD RATINGS					
			COOLING					
			CAPACITY BTU/hr	Factory Installed	SEER			EER
STANDARD	TDR	TXV						
R4A342AKA	ENH4X42*21**	*9MV*0802120A**	40000	TDR&TXV	13.5			11.3
R4A342GKA	ENH4X42*21**	*9MV*1002120A**	40000	TDR&TXV	13.5			11.3
	ENH4X42*21**	*9MX*0601714A**	40000	TDR&TXV	13			11
	ENH4X42*21**	*9MX*0801716A**	40000	TDR&TXV	13			11
	ENH4X42*21**	*9MX*0802120A**	40000	TDR&TXV	13.5			11.3
	ENH4X42*21**	*9MX*1002120A**	40000	TDR&TXV	13.5			11.3
	ENH4X42*21**	*9MX*1202422A**	40500	TDR&TXV	13.7			11.4
	ENH4X42*21**	MV12F19**B*	41000	TDR&TXV	14			11.5
	ENH4X42*21**	MV16J22**B*	41000	TDR&TXV	14.2			12
	ENH4X42*21**	MV20L24**B*	41000	TDR&TXV	14.2			12
	ENH4X42*21**	NOMV156E19*	40000	TDR&TXV	13			11
	ENH4X42*21**	*9MA*1002120A**	40000	TDR&TXV	13.5			11.2
	ENH4X42*21**	*9MX*1002116A**	40000	TDR&TXV	13.5			11.2
	ENH4X42*21**		41000	TXV		12.9		10.9
	ENH4X43*21**	*8MV*0701412**	41000	TDR&TXV	13.85			11.5
	ENH4X43*21**	*8MV*0901716**	41000	TDR&TXV	14.25			12
	ENH4X43*21**	*8MV*1102120**	41000	TDR&TXV	14.25			12
	ENH4X43*21**	*8MV*1352422**	41000	TDR&TXV	14.45			12
	ENH4X43*21**	*8MX*0701716**	41000	TDR&TXV	13			11
	ENH4X43*21**	*8MX*0902116**	41000	TDR&TXV	14.25			12
	ENH4X43*21**	*8MX*1102120**	41000	TDR&TXV	14.4			12
	ENH4X43*21**	*8MX*1352420**	41000	TDR&TXV	14.3			12
	ENH4X43*21**	*9MA*0601714A**	41000	TDR&TXV	13.5			11.2
	ENH4X43*21**	*9MA*0801714A**	41000	TDR&TXV	13.7			11.4
	ENH4X43*21**	*9MA*0802120A**	41000	TDR&TXV	14			11.7
	ENH4X43*21**	*9MA*1002122A**	41500	TDR&TXV	14			11.7
	ENH4X43*21**	*9MA*1202422A**	41000	TDR&TXV	14.2			11.8
	ENH4X43*21**	*9MAC0602120A**	41000	TDR&TXV	13.7			11.5
	ENH4X43*21**	*9MV*0802120A**	41500	TDR&TXV	14			11.7
	ENH4X43*21**	*9MV*1002120A**	41500	TDR&TXV	14			11.7
	ENH4X43*21**	*9MX*0601714A**	41000	TDR&TXV	13.5			11.2
	ENH4X43*21**	*9MX*0801716A**	41500	TDR&TXV	13.5			11.2
	ENH4X43*21**	*9MX*0802120A**	41500	TDR&TXV	13.7			11.7
	ENH4X43*21**	*9MX*1002120A**	41500	TDR&TXV	14			11.7
	ENH4X43*21**	*9MX*1202422A**	42000	TDR&TXV	14			11.5
	ENH4X43*21**	MV12F19**B*	41000	TDR&TXV	14.5			12
	ENH4X43*21**	MV16J22**B*	41000	TDR&TXV	14.5			12
	ENH4X43*21**	MV20L24**B*	41000	TDR&TXV	14.5			12
	ENH4X43*21**	NOMV156E19*	41000	TDR&TXV	14.2			12
	ENH4X43*21**	*9MA*1002120A**	41000	TDR&TXV	14			11.5
	ENH4X43*21**	*9MX*1002116A**	41000	TDR&TXV	13.7			11.4
	ENH4X43*21**		41000	TXV		13		11
	ENH4X48*21**	*8MV*0701412**	41000	TDR&TXV	13			11
	ENH4X48*21**	*8MV*0901716**	41000	TDR&TXV	14			11.5
	ENH4X48*21**	*8MV*1102120**	41000	TDR&TXV	14			11.5
	ENH4X48*21**	*8MV*1352422**	41000	TDR&TXV	14.35			12
	ENH4X48*21**	*8MX*0701716**	41000	TDR&TXV	13			11
	ENH4X48*21**	*8MX*0902116**	41000	TDR&TXV	14			11.5
	ENH4X48*21**	*8MX*1102120**	41000	TDR&TXV	14.25			12

MODEL	INDOOR MODEL	FURNACE MODEL	AHRI STANDARD RATINGS					
			COOLING					
			CAPACITY BTU/hr	Factory Installed	SEER			EER
STANDARD	TDR	TXV						
R4A342AKA	ENH4X48*21**	*8MX*1352420**	41000	TDR&TXV	14.15			11.9
R4A342GKA	ENH4X48*21**	*9MA*0601714A**	40000	TDR&TXV	13.5			11.2
	ENH4X48*21**	*9MA*0801714A**	40500	TDR&TXV	13.7			11.4
	ENH4X48*21**	*9MA*0802120A**	40500	TDR&TXV	13.7			11.5
	ENH4X48*21**	*9MA*1002122A**	41000	TDR&TXV	14			11.7
	ENH4X48*21**	*9MA*1202422A**	40500	TDR&TXV	14			11.5
	ENH4X48*21**	*9MAC0602120A**	40500	TDR&TXV	13.5			11.3
	ENH4X48*21**	*9MV*0802120A**	41000	TDR&TXV	13.7			11.5
	ENH4X48*21**	*9MV*1002120A**	41000	TDR&TXV	13.7			11.7
	ENH4X48*21**	*9MX*0601714A**	40500	TDR&TXV	13.5			11.2
	ENH4X48*21**	*9MX*0801716A**	41000	TDR&TXV	13.5			11.2
	ENH4X48*21**	*9MX*0802120A**	41000	TDR&TXV	13.7			11.5
	ENH4X48*21**	*9MX*1002120A**	41000	TDR&TXV	13.7			11.7
	ENH4X48*21**	*9MX*1202422A**	41500	TDR&TXV	14			11.5
	ENH4X48*21**	MV12F19**B*	41000	TDR&TXV	14.45			12
	ENH4X48*21**	MV16J22**B*	41000	TDR&TXV	14.5			12
	ENH4X48*21**	MV20L24**B*	41000	TDR&TXV	14.5			12
	ENH4X48*21**	NOMV156E19*	41000	TDR&TXV	14			11.5
	ENH4X48*21**	*9MA*1002120A**	40500	TDR&TXV	13.7			11.4
	ENH4X48*21**	*9MX*1002116A**	40500	TDR&TXV	13.7			11.4
	ENH4X48*21**		41000	TXV		13		11

2009 ENERGY STAR compliance for combinations with both: SEER 14.50 or higher and EER 12.00 or higher.

† For coils not listed with a matching furnace or blower, coil rating applies with any indoor blower device

*Tested Combination

EER – Energy Efficiency Ratio

SEER – Seasonal Energy Efficiency Ratio

TDR - Time delay Relay

TXV – Thermostatic Expansion Valve

Ratings are net values reflecting the effects of circulating fan motor heat. Supplemental electric heat is not included.

Tested outdoor/indoor combinations have been tested in accordance with DOE test procedures for central air conditioners. Ratings for other combinations are determined under DOE computer simulation procedures.

Determine actual CFM values obtainable for your system by referring to fan performance data in fan coil or furnace literature.

COOLING PERFORMANCE FOR COMBINATION RATINGS Indoor Models

For complete ratings information, use the AHRI website directory search: www.AHRIdirectory.org.
 New ratings may be listed online before Specification Sheets are updated.

MODEL	INDOOR MODEL	FURNACE MODEL	AHRI STANDARD RATINGS						
			COOLING						
			CAPACITY BTU/hr	Factory Installed	SEER			EER	
STANDARD	TDR	TXV							
R4A348AKC R4A348GKC	*EA*4X48*21A*		45,500	TXV		13.00		11.00	
	FCM4X48****		45,500	TDR&TXV	14.00			11.70	
	FCM4X60****		46,000	TDR&TXV	14.50			12.20	
	FEM4P48**A*		45,500	TDR			13.50	11.00	
	FEM4X48**A*		46,000	TDR&TXV	13.50			11.50	
	FEM4X60**A*		46,500	TDR&TXV	13.70			11.70	
	FEM4X60**B*		46,000	TDR&TXV	13.70			11.50	
	FS(M,U)4P48**A*		46,000	TDR			13.50	11.00	
	FS(M,U)4X60**A*		46,000	TDR&TXV	13.00			11.00	
	FVM4X48****		46,000	TDR&TXV	13.50			11.50	
	FVM4X60****		46,000	TDR&TXV	14.00			12.00	
	FXM4X48**A*		46,500	TDR&TXV	14.00			11.50	
	FXM4X60**A*		47,000	TDR&TXV	14.50			12.00	
	EA*4X48*17A*	*8MV*0901716**		45,000	TDR&TXV	13.20			11.20
	EA*4X48*17A*			45,000	TXV		13.00		11.00
	EA*4X48*21A*	*8MV*1102120**		45,000	TDR&TXV	13.20			11.20
	EA*4X48*21A*	*8MX*0902116**		45,000	TDR&TXV	13.20			11.20
	EA*4X48*21A*	*8MX*1102120**		45,000	TDR&TXV	13.70			11.30
	EA*4X48*21A*	*9MA*0602120A**		44,500	TDR&TXV	13.00			11.00
	EA*4X48*21A*	*9MA*0802120A**		44,500	TDR&TXV	13.50			11.30
	EA*4X48*21A*	*9MA*1002122A**		45,000	TDR&TXV	13.50			11.30
	EA*4X48*21A*	*9MV*0802120A**		45,000	TDR&TXV	13.20			11.20
	EA*4X48*21A*	*9MV*1002120A**		45,000	TDR&TXV	13.50			11.30
	EA*4X48*21A*	*9MX*0802120A**		45,000	TDR&TXV	13.20			11.20
	EA*4X48*21A*	*9MX*1002120A**		45,000	TDR&TXV	13.50			11.20
	EA*4X48*21A*	MV16**21C*		45,000	TDR&TXV	13.50			11.30
	EA*4X48*21A*	NOMV156E19*		44,500	TDR&TXV	13.20			11.20
	EA*4X48*24A*	*8MV*1352422**		45,000	TDR&TXV	13.70			11.30
	EA*4X48*24A*	*8MX*1352420**		45,000	TDR&TXV	13.50			11.30
	EA*4X48*24A*	*9MA*1202422A**		44,500	TDR&TXV	13.50			11.30
	EA*4X48*24A*	*9MV*1202422A**		45,000	TDR&TXV	13.50			11.30
	EA*4X48*24A*	*9MX*1202422A**		45,000	TDR&TXV	13.20			11.20
	EA*4X48*24A*	MV20**24C*		45,000	TDR&TXV	13.70			11.50
	EA*4X48*24A*	OLV154F20A		45,500	TDR&TXV	13.00			11.20
	EA*4X48*24A*	OMV154L20A		44,500	TDR&TXV	13.50			11.30
	EA*4X48*24A*			45,500	TXV		13.00		11.00
	EA*4X60*21A*	*8MV*1102120**		46,000	TDR&TXV	13.70			11.50
	EA*4X60*21A*	*8MX*0902116**		46,000	TDR&TXV	13.70			11.30
	EA*4X60*21A*	*8MX*1102120**		46,000	TDR&TXV	13.70			11.70
	EA*4X60*21A*	*9MA*0602120A**		45,000	TDR&TXV	13.20			11.20
EA*4X60*21A*	*9MA*0802120A**		45,500	TDR&TXV	13.70			11.50	
EA*4X60*21A*	*9MA*1002122A**		46,000	TDR&TXV	13.70			11.50	
EA*4X60*21A*	*9MV*0802120A**		46,000	TDR&TXV	13.70			11.50	
EA*4X60*21A*	*9MV*1002120A**		46,000	TDR&TXV	13.70			11.50	
EA*4X60*21A*	*9MX*0802120A**		46,000	TDR&TXV	13.70			11.30	
EA*4X60*21A*	*9MX*1002120A**		46,000	TDR&TXV	13.70			11.50	
EA*4X60*21A*	MV16**21C*		46,000	TDR&TXV	13.70			11.70	
EA*4X60*21A*	NOMV156E19*		45,500	TDR&TXV	13.50			11.50	
EA*4X60*21A*	OLV112A16A		45,500	TDR&TXV	13.00			11.00	
EA*4X60*21A*			46,500	TXV		13.00		11.00	

MODEL	INDOOR MODEL	FURNACE MODEL	AHRI STANDARD RATINGS					
			CAPACITY BTU/hr	Factory Installed	COOLING			EER
					SEER			
STANDARD	TDR	TXV						
R4A348AKC	EA*4X60*24A*	*8MV*1352422**	46,000	TDR&TXV	13.70		11.70	
R4A348GKC	EA*4X60*24A*	*8MX*1352420**	46,000	TDR&TXV	13.70		11.50	
	EA*4X60*24A*	*9MA*1202422A**	45,500	TDR&TXV	13.70		11.50	
	EA*4X60*24A*	*9MV*1202422A**	46,000	TDR&TXV	13.70		11.50	
	EA*4X60*24A*	*9MX*1202422A**	46,000	TDR&TXV	13.70		11.50	
	EA*4X60*24A*	MV20**24C*	46,000	TDR&TXV	14.00		11.70	
	EA*4X60*24A*	OLV154F20A	46,500	TDR&TXV	13.20		11.30	
	EA*4X60*24A*	OMV154L20A	45,500	TDR&TXV	13.70		11.50	
	EA*4X60*24A*		46,500	TXV		13.00	11.00	
	EHD4X48A**	*8MV*0901716**	45,500	TDR&TXV	13.50		11.00	
	EHD4X48A**	*8MV*1102120**	45,500	TDR&TXV	13.50		11.00	
	EHD4X48A**	*8MV*1352422**	45,500	TDR&TXV	14.00		11.50	
	EHD4X48A**	*8MX*0902116**	45,500	TDR&TXV	13.50		11.00	
	EHD4X48A**	*8MX*1102120**	45,500	TDR&TXV	14.00		11.50	
	EHD4X48A**	*8MX*1352420**	45,500	TDR&TXV	13.50		11.00	
	EHD4X48A**	*9MA*0602120A**	45,000	TDR&TXV	13.20		11.20	
	EHD4X48A**	*9MA*0802120A**	45,000	TDR&TXV	13.50		11.30	
	EHD4X48A**	*9MA*1002122A**	45,500	TDR&TXV	13.50		11.30	
	EHD4X48A**	*9MA*1202422A**	45,000	TDR&TXV	13.50		11.30	
	EHD4X48A**	*9MV*0801716A**	45,000	TDR&TXV	13.20		11.20	
	EHD4X48A**	*9MV*0802120A**	45,500	TDR&TXV	13.50		11.30	
	EHD4X48A**	*9MV*1002120A**	45,500	TDR&TXV	13.50		11.30	
	EHD4X48A**	*9MV*1202422A**	45,500	TDR&TXV	13.50		11.30	
	EHD4X48A**	*9MX*0801716A**	44,500	TDR&TXV	13.00		11.00	
	EHD4X48A**	*9MX*0802120A**	45,500	TDR&TXV	13.50		11.30	
	EHD4X48A**	*9MX*1002120A**	45,500	TDR&TXV	13.50		11.30	
	EHD4X48A**	*9MX*1202422A**	45,500	TDR&TXV	13.50		11.30	
	EHD4X48A**	MV16**21C*	45,500	TDR&TXV	13.70		11.50	
	EHD4X48A**	MV20**24C*	45,500	TDR&TXV	13.70		11.50	
	EHD4X48A**	NOMV156E19*	45,500	TDR&TXV	13.50		11.00	
	EHD4X48A**	OLV154F20A	46,000	TDR&TXV	13.00		11.20	
	EHD4X48A**	OMV154L20A	45,000	TDR&TXV	13.50		11.50	
	EHD4X48A**		45,500	TXV		13.00	11.00	
	EHD4X60A**	*8MV*0901716**	45,500	TDR&TXV	14.00		11.50	
	EHD4X60A**	*8MV*1102120**	46,000	TDR&TXV	14.00		11.50	
	EHD4X60A**	*8MV*1352422**	46,000	TDR&TXV	14.00		12.00	
	EHD4X60A**	*8MX*0902116**	46,000	TDR&TXV	14.00		11.50	
	EHD4X60A**	*8MX*1102120**	46,000	TDR&TXV	14.00		12.00	
	EHD4X60A**	*8MX*1352420**	46,000	TDR&TXV	14.00		11.50	
	EHD4X60A**	*9MA*0602120A**	45,500	TDR&TXV	13.50		11.30	
	EHD4X60A**	*9MA*0802120A**	45,500	TDR&TXV	13.70		11.50	
	EHD4X60A**	*9MA*1002122A**	46,000	TDR&TXV	14.00		11.70	
	EHD4X60A**	*9MA*1202422A**	46,000	TDR&TXV	13.70		11.50	
	EHD4X60A**	*9MV*0801716A**	46,000	TDR&TXV	13.20		11.20	
	EHD4X60A**	*9MV*0802120A**	46,000	TDR&TXV	13.70		11.50	
	EHD4X60A**	*9MV*1002120A**	46,000	TDR&TXV	14.00		11.50	
	EHD4X60A**	*9MV*1202422A**	46,000	TDR&TXV	13.70		11.50	
	EHD4X60A**	*9MX*0801716A**	46,000	TDR&TXV	13.20		11.20	
	EHD4X60A**	*9MX*0802120A**	46,500	TDR&TXV	13.70		11.50	
	EHD4X60A**	*9MX*1002120A**	46,500	TDR&TXV	13.70		11.50	
	EHD4X60A**	*9MX*1202422A**	46,500	TDR&TXV	13.70		11.50	
	EHD4X60A**	MV16**21C*	46,500	TDR&TXV	14.00		11.70	
	EHD4X60A**	MV20**24C*	46,000	TDR&TXV	14.00		11.70	

MODEL	INDOOR MODEL	FURNACE MODEL	AHRI STANDARD RATINGS					
			COOLING					
			CAPACITY BTU/hr	Factory Installed	SEER			EER
STANDARD	TDR	TXV						
R4A348AKC	EHD4X60A**	NOMV156E19*	46,000	TDR&TXV	14.00			11.50
R4A348GKC	EHD4X60A**	OLV112A16A	45,500	TDR&TXV	13.20			11.20
	EHD4X60A**	OLV154F20A	46,500	TDR&TXV	13.50			11.30
	EHD4X60A**	OMV154L20A	45,500	TDR&TXV	14.00			11.70
	EHD4X60A**		46,000	TXV		13.00		11.20
	EMA4X48D**		44,500	TXV		13.00		11.00
	EN(A,D)4X48*24**	*8MV*1352422**	45,000	TDR&TXV	14.00			11.50
	EN(A,D)4X48*24**	*8MX*1352420**	45,500	TDR&TXV	13.50			11.00
	EN(A,D)4X48*24**	*9MA*1202422A**	44,500	TDR&TXV	13.50			11.30
	EN(A,D)4X48*24**	*9MV*1202422A**	45,000	TDR&TXV	13.50			11.30
	EN(A,D)4X48*24**	*9MX*1202422A**	45,000	TDR&TXV	13.50			11.30
	EN(A,D)4X48*24**	MV20**24C*	45,000	TDR&TXV	13.70			11.50
	EN(A,D)4X48*24**	OLV154F20A	45,500	TDR&TXV	13.20			11.20
	EN(A,D)4X48*24**	OMV154L20A	45,000	TDR&TXV	13.70			11.50
	EN(A,D)4X48*24**		45,500	TXV		13.00		11.00
	EN(A,D)4X61*24**	*8MV*1352422**	46,000	TDR&TXV	14.50			12.00
	EN(A,D)4X61*24**	*8MX*1352420**	46,000	TDR&TXV	14.00			11.50
	EN(A,D)4X61*24**	*9MA*1202422A**	46,000	TDR&TXV	14.00			11.70
	EN(A,D)4X61*24**	*9MV*1202422A**	46,000	TDR&TXV	14.00			11.70
	EN(A,D)4X61*24**	*9MX*1202422A**	46,500	TDR&TXV	13.70			11.50
	EN(A,D)4X61*24**	MV20**24C*	46,500	TDR&TXV	14.00			11.70
	EN(A,D)4X61*24**	OLV154F20A	47,000	TDR&TXV	13.50			11.50
	EN(A,D)4X61*24**	OMV154L20A	46,000	TDR&TXV	14.00			11.70
	EN(A,D)4X61*24**		46,500	TXV		13.20		11.20
	EN(A,D,W)4X48*21**	*8MV*1102120**	45,000	TDR&TXV	13.50			11.00
	EN(A,D,W)4X48*21**	*8MX*0902116**	45,500	TDR&TXV	13.50			11.00
	EN(A,D,W)4X48*21**	*8MX*1102120**	45,500	TDR&TXV	14.00			11.50
	EN(A,D,W)4X48*21**	*9MA*0602120A**	44,500	TDR&TXV	13.20			11.20
	EN(A,D,W)4X48*21**	*9MA*0802120A**	44,500	TDR&TXV	13.50			11.30
	EN(A,D,W)4X48*21**	*9MA*1002122A**	45,000	TDR&TXV	13.50			11.30
	EN(A,D,W)4X48*21**	*9MV*0802120A**	45,000	TDR&TXV	13.50			11.30
	EN(A,D,W)4X48*21**	*9MV*1002120A**	45,000	TDR&TXV	13.50			11.30
	EN(A,D,W)4X48*21**	*9MX*0802120A**	45,000	TDR&TXV	13.20			11.20
	EN(A,D,W)4X48*21**	*9MX*1002120A**	45,000	TDR&TXV	13.50			11.30
	EN(A,D,W)4X48*21**	MV16**21C*	45,500	TDR&TXV	13.70			11.50
	EN(A,D,W)4X48*21**	NOMV156E19*	45,000	TDR&TXV	13.00			11.00
	EN(A,D,W)4X48*21**		45,500	TXV		13.00		11.00
	EN(A,D,W)4X60*24**	*8MV*1352422**	46,000	TDR&TXV	14.00			11.50
	EN(A,D,W)4X60*24**	*8MX*1352420**	46,000	TDR&TXV	14.00			11.50
	EN(A,D,W)4X60*24**	*9MA*1202422A**	45,500	TDR&TXV	13.70			11.50
	EN(A,D,W)4X60*24**	*9MV*1202422A**	46,000	TDR&TXV	13.70			11.50
	EN(A,D,W)4X60*24**	*9MX*1202422A**	46,000	TDR&TXV	13.70			11.50
	EN(A,D,W)4X60*24**	MV20**24C*	46,000	TDR&TXV	14.00			11.70
	EN(A,D,W)4X60*24**	OLV154F20A	46,500	TDR&TXV	13.20			11.30
	EN(A,D,W)4X60*24**	OMV154L20A	45,500	TDR&TXV	13.70			11.70
	EN(A,D,W)4X60*24**		46,000	TXV		13.00		11.00
	ENH4X48*21**	*8MV*1102120**	45,000	TDR&TXV	13.50			11.00
	ENH4X48*21**	*8MX*0902116**	45,500	TDR&TXV	13.50			11.00
	ENH4X48*21**	*8MX*1102120**	45,500	TDR&TXV	14.00			11.50
	ENH4X48*21**	*9MA*0602120A**	44,500	TDR&TXV	13.20			11.20
	ENH4X48*21**	*9MA*0802120A**	44,500	TDR&TXV	13.50			11.30
	ENH4X48*21**	*9MA*1002122A**	45,000	TDR&TXV	13.50			11.30
	ENH4X48*21**	*9MV*0802120A**	45,000	TDR&TXV	13.50			11.30

MODEL	INDOOR MODEL	FURNACE MODEL	AHRI STANDARD RATINGS					
			COOLING					
			CAPACITY BTU/hr	Factory Installed	SEER			EER
STANDARD	TDR	TXV						
R4A348AKC R4A348GKC	ENH4X48*21**	*9MV*1002120A**	45,000	TDR&TXV	13.50			11.30
	ENH4X48*21**	*9MX*0802120A**	45,000	TDR&TXV	13.20			11.20
	ENH4X48*21**	*9MX*1002120A**	45,000	TDR&TXV	13.50			11.30
	ENH4X48*21**	MV16**21C*	45,500	TDR&TXV	13.70			11.50
	ENH4X48*21**	NOMV156E19*	45,000	TDR&TXV	13.50			11.00
	ENH4X48*21**	OLV112A16A	45,000	TDR&TXV	13.00			11.00
	ENH4X48*21**		45,500	TXV		13.00		11.00
	ENH4X60*24**	*8MV*1352422**	46,000	TDR&TXV	14.00			11.50
	ENH4X60*24**	*8MX*1352420**	46,000	TDR&TXV	14.00			11.50
	ENH4X60*24**	*9MA*1202422A**	45,500	TDR&TXV	13.70			11.50
	ENH4X60*24**	*9MV*1202422A**	46,000	TDR&TXV	13.70			11.50
	ENH4X60*24**	*9MX*1202422A**	46,000	TDR&TXV	13.70			11.50
	ENH4X60*24**	MV20**24C*	46,000	TDR&TXV	14.00			11.70
	ENH4X60*24**	OLV154F20A	46,500	TDR&TXV	13.20			11.30
	ENH4X60*24**	OMV154L20A	45,500	TDR&TXV	13.70			11.70
	ENH4X60*24**		46,000	TXV		13.00		11.00
	ENH4X61*24**	*8MV*1352422**	46,000	TDR&TXV	14.00			11.50
	ENH4X61*24**	*8MX*1352420**	46,000	TDR&TXV	14.00			11.50
	ENH4X61*24**	*9MA*1202422A**	45,500	TDR&TXV	13.70			11.50
	ENH4X61*24**	*9MV*1202422A**	46,000	TDR&TXV	13.70			11.50
	ENH4X61*24**	*9MX*1202422A**	46,000	TDR&TXV	13.70			11.50
	ENH4X61*24**	MV20**24C*	46,000	TDR&TXV	14.00			11.70
	ENH4X61*24**	OLV154F20A	46,500	TDR&TXV	13.20			11.30
	ENH4X61*24**	OMV154L20A	45,500	TDR&TXV	13.70			11.70
	ENH4X61*24**		46,000	TXV		13.00		11.20

2009 ENERGY STAR compliance for combinations with both: SEER 14.50 or higher and EER 12.00 or higher.

† For coils not listed with a matching furnace or blower, coil rating applies with any indoor blower device

*Tested Combination

EER – Energy Efficiency Ratio

SEER – Seasonal Energy Efficiency Ratio

TDR - Time delay Relay

TXV – Thermostatic Expansion Valve

Ratings are net values reflecting the effects of circulating fan motor heat. Supplemental electric heat is not included.

Tested outdoor/indoor combinations have been tested in accordance with DOE test procedures for central air conditioners. Ratings for other combinations are determined under DOE computer simulation procedures.

Determine actual CFM values obtainable for your system by referring to fan performance data in fan coil or furnace literature.

COOLING PERFORMANCE FOR COMBINATION RATINGS Indoor Models

For complete ratings information, use the AHRI website directory search: www.AHRIdirectory.org.
New ratings may be listed online before Specification Sheets are updated.

MODEL	INDOOR MODEL	FURNACE MODEL	AHRI STANDARD RATINGS				
			COOLING				
			CAPACITY BTU/hr	Factory Installed	SEER		EER
STANDARD	TDR						
R4A360AKC	*EA*4X60*24A*		57,500	TXV		13.00	11.00
R4A360GKC	FCM4X60****		59,000	TDR&TXV	13.70		11.50
	FEM4X60**A*		59,000	TDR&TXV	13.50		11.50
	FEM4X60**B*		57,500	TDR&TXV	13.00		11.00
	FVM4X60****		57,000	TDR&TXV	13.50		11.50
	FXM4X60**A*		57,500	TDR&TXV	13.50		11.00
	EA*4X60*21A*	*8MV*1102120**	56,500	TDR&TXV	13.00		11.00
	EA*4X60*21A*	*8MX*1102120**	56,500	TDR&TXV	13.20		11.20
	EA*4X60*21A*	*9MA*0802120A**	57,000	TDR&TXV	13.00		11.00
	EA*4X60*21A*	*9MA*1002122A**	56,500	TDR&TXV	13.20		11.00
	EA*4X60*21A*	*9MV*0802120A**	57,000	TDR&TXV	13.00		11.00
	EA*4X60*21A*	*9MV*1002120A**	56,500	TDR&TXV	13.00		11.00
	EA*4X60*21A*	*9MX*0802120A**	56,000	TDR&TXV	13.20		11.00
	EA*4X60*21A*	*9MX*1002120A**	57,500	TDR&TXV	13.00		11.00
	EA*4X60*21A*	MV16**21C*	57,000	TDR&TXV	13.20		11.20
	EA*4X60*21A*		56,500	TXV		13.00	11.00
	EA*4X60*24A*	*8MV*1352422**	56,500	TDR&TXV	13.50		11.20
	EA*4X60*24A*	*8MX*1352420**	56,500	TDR&TXV	13.20		11.20
	EA*4X60*24A*	*9MA*1202422A**	56,500	TDR&TXV	13.00		11.00
	EA*4X60*24A*	*9MV*1202422A**	56,500	TDR&TXV	13.00		11.00
	EA*4X60*24A*	*9MX*1202422A**	56,500	TDR&TXV	13.00		11.00
	EA*4X60*24A*	MV20**24C*	56,500	TDR&TXV	13.20		11.20
	EHD4X60A**	*8MV*1102120**	57,000	TDR&TXV	13.00		11.00
	EHD4X60A**	*8MV*1352422**	57,000	TDR&TXV	13.50		11.00
	EHD4X60A**	*8MX*1102120**	57,000	TDR&TXV	13.50		11.00
	EHD4X60A**	*8MX*1352420**	57,000	TDR&TXV	13.00		11.00
	EHD4X60A**	*9MA*0802120A**	56,500	TDR&TXV	13.20		11.20
	EHD4X60A**	*9MA*1002122A**	57,000	TDR&TXV	13.20		11.20
	EHD4X60A**	*9MA*1202422A**	56,500	TDR&TXV	13.30		11.00
	EHD4X60A**	*9MV*0802120A**	58,000	TDR&TXV	13.00		11.00
	EHD4X60A**	*9MV*1002120A**	57,000	TDR&TXV	13.20		11.00
	EHD4X60A**	*9MV*1202422A**	56,500	TDR&TXV	13.30		11.00
	EHD4X60A**	*9MX*0802120A**	56,500	TDR&TXV	13.20		11.20
	EHD4X60A**	*9MX*1002120A**	57,000	TDR&TXV	13.20		11.00
	EHD4X60A**	*9MX*1202422A**	56,500	TDR&TXV	13.30		11.00
	EHD4X60A**	MV16**21C*	57,500	TDR&TXV	13.50		11.20
	EHD4X60A**	MV20**24C*	57,000	TDR&TXV	13.50		11.20
	EHD4X60A**	OMV154L20A	58,000	TDR&TXV	13.00		11.00
	EHD4X60A**		58,000	TXV		13.00	11.00
	EN(A,D)4X61*24**	*8MV*1352422**	57,000	TDR&TXV	13.50		11.00
	EN(A,D)4X61*24**	*8MX*1352420**	57,000	TDR&TXV	13.50		11.00
	EN(A,D)4X61*24**	*9MA*1202422A**	57,000	TDR&TXV	13.30		11.00
	EN(A,D)4X61*24**	*9MV*1202422A**	57,000	TDR&TXV	13.30		11.00
	EN(A,D)4X61*24**	*9MX*1202422A**	57,000	TDR&TXV	13.30		11.00
	EN(A,D)4X61*24**	MV20**24C*	57,500	TDR&TXV	13.50		11.30
	EN(A,D)4X61*24**	OMV154L20A	58,500	TDR&TXV	13.00		11.00
	EN(A,D)4X61*24**		58,500	TXV		13.00	11.20
	EN(A,D,W)4X60*24**	*8MV*1352422**	57,000	TDR&TXV	13.00		11.00
	EN(A,D,W)4X60*24**	*8MX*1352420**	57,000	TDR&TXV	13.00		11.00

MODEL	INDOOR MODEL	FURNACE MODEL	AHRI STANDARD RATINGS				
			COOLING				
			CAPACITY BTU/hr	Factory Installed	SEER		EER
STANDARD	TDR						
R4A360AKC	EN(A,D,W)4X60*24**	*9MA*1202422A**	56,500	TDR&TXV	13.00		11.00
R4A360GKC	EN(A,D,W)4X60*24**	*9MV*1202422A**	56,000	TDR&TXV	13.30		11.00
	EN(A,D,W)4X60*24**	*9MX*1202422A**	56,500	TDR&TXV	13.00		11.00
	EN(A,D,W)4X60*24**	MV20**24C*	56,500	TDR&TXV	13.20		11.20
	EN(A,D,W)4X60*24**	OMV154L20A	57,000	TDR&TXV	13.00		11.00
	EN(A,D,W)4X60*24**		57,500	TXV		13.00	11.00
	ENH4X60*24**	*8MV*1352422**	57,000	TDR&TXV	13.00		11.00
	ENH4X60*24**	*8MX*1352420**	57,000	TDR&TXV	13.00		11.00
	ENH4X60*24**	*9MA*1202422A**	56,500	TDR&TXV	13.00		11.00
	ENH4X60*24**	*9MV*1202422A**	56,000	TDR&TXV	13.30		11.00
	ENH4X60*24**	*9MX*1202422A**	56,500	TDR&TXV	13.00		11.00
	ENH4X60*24**	MV20**24C*	56,500	TDR&TXV	13.20		11.20
	ENH4X60*24**	OMV154L20A	57,000	TDR&TXV	13.00		11.00
	ENH4X60*24**		57,500	TXV		13.00	11.00
	ENH4X61*24**	*8MV*1352422**	57,000	TDR&TXV	13.00		11.00
	ENH4X61*24**	*8MX*1352420**	57,000	TDR&TXV	13.00		11.00
	ENH4X61*24**	*9MA*1202422A**	56,500	TDR&TXV	13.00		11.00
	ENH4X61*24**	*9MV*1202422A**	56,500	TDR&TXV	13.30		11.00
	ENH4X61*24**	*9MX*1202422A**	56,500	TDR&TXV	13.00		11.00
	ENH4X61*24**	MV20**24C*	57,000	TDR&TXV	13.20		11.20
	ENH4X61*24**		58,000	TXV		13.00	11.00

2009 ENERGY STAR compliance for combinations with both: SEER 14.50 or higher and EER 12.00 or higher.

† For coils not listed with a matching furnace or blower, coil rating applies with any indoor blower device

*Tested Combination

EER – Energy Efficiency Ratio

SEER – Seasonal Energy Efficiency Ratio

TDR - Time delay Relay

TXV – Thermostatic Expansion Valve

Ratings are net values reflecting the effects of circulating fan motor heat. Supplemental electric heat is not included.

Tested outdoor/indoor combinations have been tested in accordance with DOE test procedures for central air conditioners. Ratings for other combinations are determined under DOE computer simulation procedures.

Determine actual CFM values obtainable for your system by referring to fan performance data in fan coil or furnace literature.

ACCESSORY USAGE GUIDELINES		
Accessory	REQUIRED FOR LOW-AMBIENT APPLICATIONS {Below 55°F (13°C)}	REQUIRED FOR LONG-LINE APPLICATIONS* {Over 80 Ft.(24.4m)}
Crankcase Heater	Yes	Yes
Evaporator Freeze Thermostat	Yes	No
Winter Start Control	Yes **	No
Hard Start Kit (Capacitor & Relay)	Yes	Yes
Low Ambient Kit (Pressure Switch)	Yes	No
Support Feet, 4" (102mm) tall	Recommended	No
Liquid Line Solenoid Valve	No	See Long-Line Application Guideline

* For Line Set lengths between 80 and 200 ft (24.4 and 61m) horizontal, or more than 20 ft (6.1m) indoor-outdoor vertical separation, refer to the Long Line Application Guideline document.

** Can only be installed in conjunction with Low Pressure Switch.

ACCESSORIES		
Part Number	Description	Used On Model Size
NASA003CH	Crankcase Heater for Compressor	18, 24, 30
NASA001CH	Crankcase Heater for Compressor	36, 42, 48, 60
NASA001SC	Start Component – PTC Device	ALL
NASA001FS	Evaporator Freeze Thermostat	ALL
NASA403PS	Low Pressure Switch	ALL
NASA404PS	High Pressure Switch	ALL
NASA001LS	Liquid Line Solenoid Valve	ALL
NASA001TD	Time Delay Relay, Indoor Blower	ALL
NASA001WS	Winter Start Control	ALL
NASA001AC	Anti-Cycle Timer (5 minute delay)	ALL
NASA401LA	Low Ambient Kit (Pressure Switch)	ALL
NASA001SF	Support Feet, 4" (102mm) tall	ALL
NASA003SC	Hard Start Kit (Capacitor & Relay)	ALL
NASA001SJ	Sound Jacket, Compressor	18, 24, 30, 36, 42, 48
NASA003SJ	Sound Jacket, Compressor	60
NAEA40501TX	TXV Kit, R-410A – 2010 and later Piston Coils	18, 24, 30
NAEA40601TX	TXV Kit, R-410A – 2010 and later Piston Coils	36, 42
NAEA40701TX	TXV Kit, R-410A – 2010 and later Piston Coils	48, 60
EBAC05TXVX	TXV Kit, R-410A – 2005–2009 R-22 TXV Fancoils (air handlers)	18, 24, 30
EBAC06TXVX	TXV Kit, R-410A – 2005–2009 R-22 TXV Fancoils (air handlers)	36, 42
EBAC07TXVX	TXV Kit, R-410A – 2005–2009 R-22 TXV Fancoils (air handlers)	48, 60

International Comfort Products, LLC
Lewisburg, Tennessee 37091 USA