



R4A3

Product Specifications

EFFICIENT 13 SEER AIR CONDITIONER ENVIRONMENTALLY SOUND R-410A REFRIGERANT

1-1/2 THRU 5 TONS SPLIT SYSTEM

208 / 230 Volt, 1-phase, 60 Hz

REFRIGERATION CIRCUIT

- Scroll compressors on all models
- Copper tube / aluminum fin coil

EASY TO INSTALL AND SERVICE

- Easy Access service valves on all models
- External high and low refrigerant service ports
- Only two screws to access control panel
- Factory charged with R-410A refrigerant

BUILT TO LAST

- Pre-painted cabinet finish over galvanized steel
- Coated inlet grille with 2" (51mm) spacing standard, alternate models available with 3/8" (10mm) grille spacing for extra protection

WARRANTY*

- 5 year compressor limited warranty
- 5 year parts limited warranty (including compressor and coil)
 - With timely registration, an additional 5 year parts limited warranty (including compressor and coil)

* Applies to original purchaser/homeowner, some limitations may apply. See Warranty certificate for complete details.

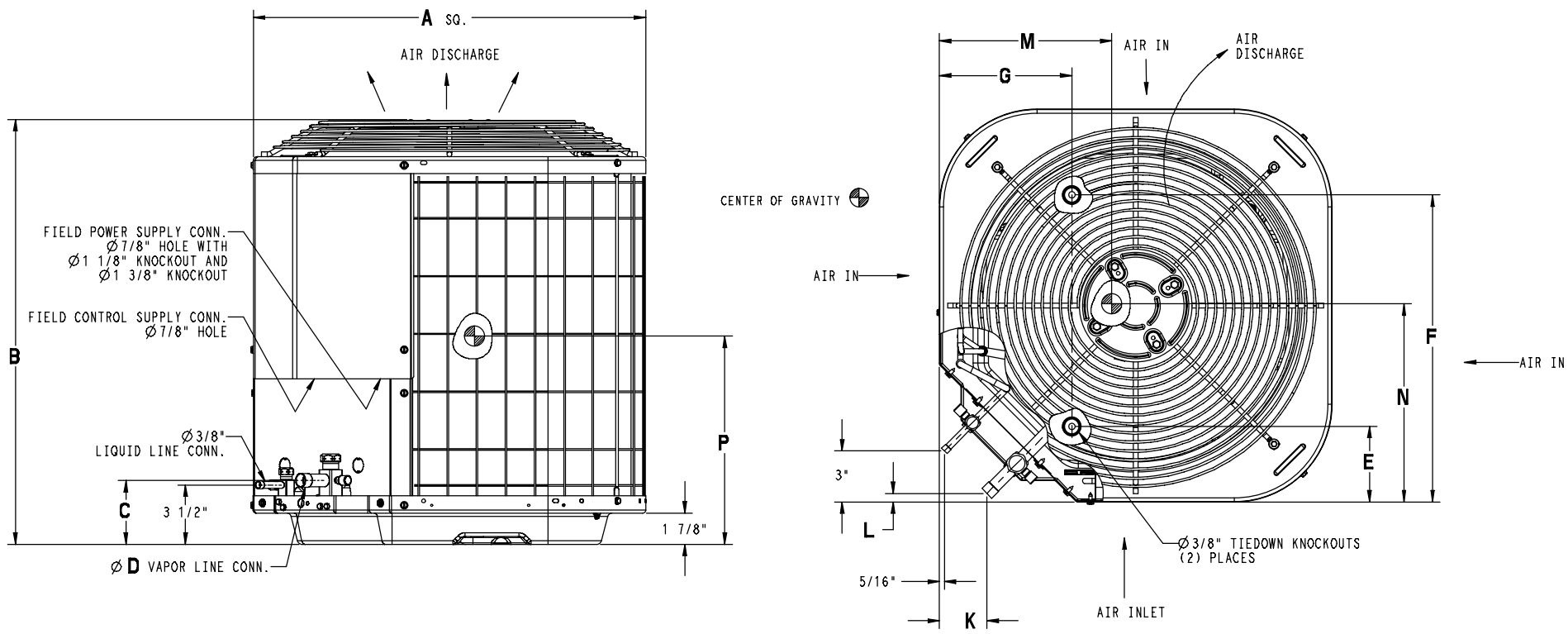


Use of the AHRI Certified TM Mark indicates a manufacturer's participation in the program. For verification of certification for individual products, go to www.ahridirectory.org.

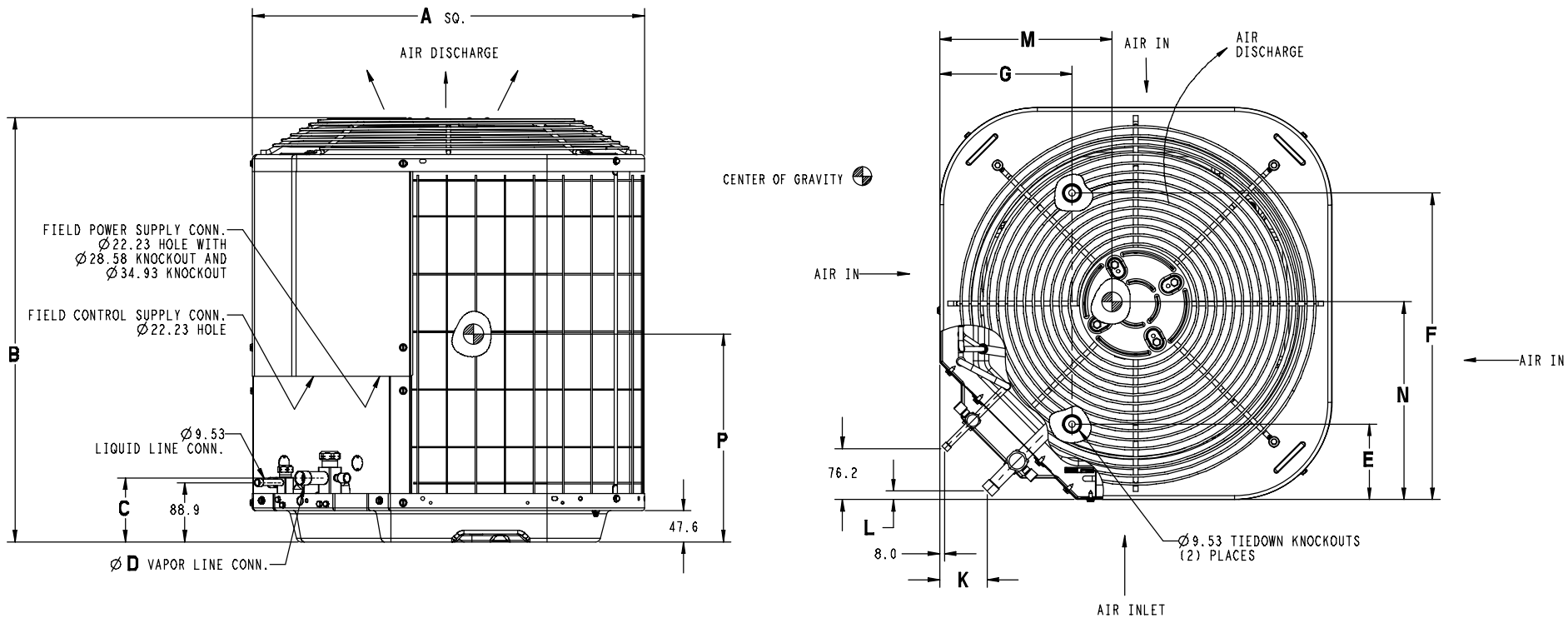
Model Number	Size (tons)	Nominal BTU/hr	Min. Circuit Ampacity	Max. Fuse or Breaker	Operating Dimensions height x width x depth in. (mm)	Ship / Operating Weight lbs.(kg)
R4A318AKA	1-1/2	18,000	11.7	20	24-13/16 x 23-1/8 x 23-1/8 (630 x 587 x 587)	120 / 104 (54 / 47)
18GKA	same model with 3/8" spacing inlet grille					124 / 108 (56 / 49)
R4A324AKA	2	24,000	17.6	30	24-13/16 x 23-1/8 x 23-1/8 (630 x 587 x 587)	123 / 107 (56 / 49)
24GKA	same model with 3/8" spacing inlet grille					127 / 111 (58 / 50)
R4A330AKA	2-1/2	30,000	16.8	25	28-7/16 x 23-1/8 x 23-1/8 (722 x 587 x 587)	126 / 110 (57 / 50)
30GKA	same model with 3/8" spacing inlet grille					130 / 114 (59 / 52)
R4A336AKB	3	36,000	23.0	30	35-3/16 x 23-1/8 x 23-1/8 (894 x 587 x 587)	139 / 122 (63 / 55)
36GKB	same model with 3/8" spacing inlet grille					144 / 127 (65 / 58)
R4A342AKB	3-1/2	42,000	28.4	40	31-13/16 x 31-3/16 x 31-3/16 (808 x 792 x 792)	187 / 164 (85 / 74)
42GKB	same model with 3/8" spacing inlet grille					195 / 172 (88 / 78)
R4A348AKB	4	48,000	27.0	40	35-3/16 x 31-3/16 x 31-3/16 (894 x 792 x 792)	197 / 173 (89 / 78)
48GKB	same model with 3/8" spacing inlet grille					206 / 181 (93 / 82)
R4A360AKB	5	60,000	35.9	50	28-7/16 x 31-3/16 x 31-3/16 (722 x 792 x 792)	216 / 190 (98 / 86)
60GKB	same model with 3/8" spacing inlet grille					224 / 198 (102 / 90)

OUTDOOR UNIT MODEL NUMBER IDENTIFICATION GUIDE (single phase)											
Digit Position:	1	2	3	4	5, 6	7	8	9	10	11	12
Example Part Number:	R	4	A	3	18	A	K	A	1	0	0
Product Family	REFRIGERANT		TYPE		NOMINAL EFFICIENCY		NOMINAL CAPACITY		FEATURES		
4 = R-410A		A = Air Conditioner		3 = 13 SEER		A = Standard Grille		K = 208/230-1-60			
H = Heat Pump		H = Heat Pump		4 = 14 SEER		G = Coil Guard Grille		Sales Code			
3 = 13 SEER		H = Heat Pump		4 = 14 SEER		K = 208/230-1-60		Engineering Revision			
4 = 14 SEER		H = Heat Pump		18 = 18,000 BTUH = 1-1/2 tons		K = 208/230-1-60		Extra Digit			
18 = 18,000 BTUH = 1-1/2 tons		H = Heat Pump		24 = 24,000 BTUH = 2 tons		K = 208/230-1-60		Extra Digit			
24 = 24,000 BTUH = 2 tons		H = Heat Pump		30 = 30,000 BTUH = 2-1/2 tons		K = 208/230-1-60		Extra Digit			
30 = 30,000 BTUH = 2-1/2 tons		H = Heat Pump		36 = 36,000 BTUH = 3 tons		K = 208/230-1-60		Extra Digit			
36 = 36,000 BTUH = 3 tons		H = Heat Pump		42 = 42,000 BTUH = 3-1/2 tons		K = 208/230-1-60		Extra Digit			
42 = 42,000 BTUH = 3-1/2 tons		H = Heat Pump		48 = 48,000 BTUH = 4 tons		K = 208/230-1-60		Extra Digit			
48 = 48,000 BTUH = 4 tons		H = Heat Pump		60 = 60,000 BTUH = 5 tons		K = 208/230-1-60		Extra Digit			
60 = 60,000 BTUH = 5 tons		H = Heat Pump		A = Standard Grille		K = 208/230-1-60		Extra Digit			
A = Standard Grille		H = Heat Pump		G = Coil Guard Grille		K = 208/230-1-60		Extra Digit			
G = Coil Guard Grille		H = Heat Pump		K = 208/230-1-60		K = 208/230-1-60		Extra Digit			
K = 208/230-1-60		H = Heat Pump		K = 208/230-1-60		K = 208/230-1-60		Extra Digit			
Sales Code		H = Heat Pump		K = 208/230-1-60		K = 208/230-1-60		Extra Digit			
Engineering Revision		H = Heat Pump		K = 208/230-1-60		K = 208/230-1-60		Extra Digit			
Extra Digit		H = Heat Pump		K = 208/230-1-60		K = 208/230-1-60		Extra Digit			
Extra Digit		H = Heat Pump		K = 208/230-1-60		K = 208/230-1-60		Extra Digit			

ACCESSORIES PART NUMBER IDENTIFICATION GUIDE									
Digit Position:	1	2	3	4	5	6, 7	8, 9	10, 11	
Example Part Number:	N	A	S	A	0	01	01	CH	
N = Non-Branded	BRANDING		PRODUCT GROUP		KIT USAGE		MAJOR SERIES		
A = Accessory	A = Accessory		S = Split System (AC & HP)		A = Original		0 = Generic or Not Applicable		
S = Split System (AC & HP)	S = Split System (AC & HP)		A = Original		B = 2nd Generation		2 = R-22		
A = Original	A = Original		B = 2nd Generation		0 = Generic or Not Applicable		4 = R-410A		
B = 2nd Generation	B = 2nd Generation		0 = Generic or Not Applicable		2 = R-22		4 = R-410A		
0 = Generic or Not Applicable	0 = Generic or Not Applicable		2 = R-22		4 = R-410A		Product Identifier Number		
2 = R-22	2 = R-22		4 = R-410A		Product Identifier Number		Package Quantity		
4 = R-410A	4 = R-410A		Product Identifier Number		Package Quantity		Type of Kit (Example: CH = Crankcase Heater)		
Product Identifier Number	Product Identifier Number		Package Quantity		Type of Kit (Example: CH = Crankcase Heater)				
Package Quantity	Package Quantity		Type of Kit (Example: CH = Crankcase Heater)						
Type of Kit (Example: CH = Crankcase Heater)	Type of Kit (Example: CH = Crankcase Heater)								



Model * = A or G	All Dimensions Inches (English)												Minimum Mounting Pad Size	Crated Dimensions height x width x depth
	A	B	C	D	E	F	G	K	L	M	N	P		
R4A318*KA	23-1/8	24-13/16	3-3/4	3/4	4-7/16	18-1/16	7-13/16	2-13/16	1/2	12	11-3/4	11-7/8	23-1/2 X 23-1/2	27-3/16 X 24-1/8 x 24-1/8
R4A324*KA	23-1/8	24-13/16	3-3/4	3/4	4-7/16	18-1/16	7-13/16	2-13/16	1/2	12	11-3/4	11-7/8	23-1/2 X 23-1/2	27-3/16 X 24-1/8 x 24-1/8
R4A330*KA	23-1/8	28-7/16	3-3/4	3/4	4-7/16	18-1/16	7-13/16	2-13/16	1/2	12	11-3/4	12-1/2	23-1/2 X 23-1/2	30-5/8 X 24-1/8 x 24-1/8
R4A336*KB	23-1/8	35-3/16	3-7/8	7/8	6-9/16	18-1/16	7-13/16	2-13/16	1/2	12	11-3/4	13-3/4	23-1/2 X 23-1/2	37-7/16 X 24-1/8 x 24-1/8
R4A342*KB	31-3/16	31-13/16	3-7/8	7/8	6-9/16	24-11/16	9-1/8	2-15/16	5/8	16	15-1/2	13-3/4	31-1/2 X 31-1/2	34 X 32-3/16 x 32-3/16
R4A348*KB	31-3/16	35-3/16	3-7/8	7/8	6-9/16	24-11/16	9-1/8	2-15/16	5/8	16	15-1/2	15-1/2	31-1/2 X 31-1/2	37-7/16 X 32-3/16 x 32-3/16
R4A360*KB	31-3/16	28-7/16	3-7/8	7/8	6-9/16	24-11/16	9-1/8	2-15/16	5/8	16	15-1/2	12-3/4	31-1/2 X 31-1/2	30-5/8 X 32-3/16 x 32-3/16



Specifications subject to change without notice.

Model * = A or G	All Dimensions mm (SI Metric)												Minimum Mounting Pad Size	Crated Dimensions height x width x depth
	A	B	C	D	E	F	G	K	L	M	N	P		
R4A318*KA	587	630	95	19	113	459	198	71	13	305	298	302	597 x 597	691 x 613 x 613
R4A324*KA	587	630	95	19	113	459	198	71	13	305	298	302	597 x 597	691 x 613 x 613
R4A330*KA	587	722	95	19	113	459	198	71	13	305	298	318	597 x 597	778 x 613 x 613
R4A336*KB	587	894	98	22	167	459	198	71	13	305	298	349	597 x 597	951 x 613 x 613
R4A342*KB	792	808	98	22	167	627	232	75	16	406	394	349	800 x 800	864 x 818 x 818
R4A348*KB	792	894	98	22	167	627	232	75	16	406	394	394	800 x 800	951 x 818 x 818
R4A360*KB	792	722	98	22	167	627	232	75	16	406	394	324	800 x 800	778 x 818 x 818

PHYSICAL DATA								
Model Size	18	24	30	36	42	48	60	
Nominal Cooling Capacity (BTU/hr)	18,000	24,000	30,000	36,000	42,000	48,000	60,000	
Nominal SEER	13.0	13.0	13.0	13.0	13.0	13.0	13.0	
Sound Rating (dBA)**	76	76	76	77	80	80	80	
PSC Fan Motor HP	1/12	1/10	1/10	1/4	1/5	1/4	1/4	
Fan RPM (single speed)	1100	1100	1100	1100	1100	1100	1100	
Fan CFM	1700	2000	2000	2500	3100	3400	3400	
Coil Face Area ft ² (m ²)	8.40 (.78)	8.40 (.78)	9.80 (.91)	12.60 (1.17)	17.30 (1.61)	21.63 (2.01)	12.98 (1.21)	
Coil Rows – fins per inch	1 – 20	1 – 20	1 – 25	1 – 25	1 – 25	1 – 25	2 – 20	
Liquid Line Connection Size in. (mm)	3/8 (10)	3/8 (10)	3/8 (10)	3/8 (10)	3/8 (10)	3/8 (10)	3/8 (10)	
Vapor Line Connection Size in. (mm)	3/4 (19)	3/4 (19)	3/4 (19)	7/8 (22)	7/8 (22)	7/8 (22)	7/8 (22)	
Recommended Line Set Liquid Tube Diameter in. (mm)	3/8 (10)	3/8 (10)	3/8 (10)	3/8 (10)	3/8 (10)	3/8 (10)	3/8 (10)	
Recommended Line Set Vapor Tube Diameter in. (mm)	3/4 (19)*	3/4 (19)	3/4 (19)*	7/8 (22)*	7/8 (22)*	1-1/8 (29)*	1-1/8 (29)*	
* Recommended Vapor Tube Line size is for standard installations. These recommendations may not apply to “Long Line” installations. When the total equivalent line length exceeds 80 feet (24.4m) or there is more than 20 feet (6.1m) vertical separation between indoor and outdoor units, consult the Long Line Application Guideline document before purchasing/installing line sets.								
Factory Charge R-410A lbs. (kg)	3.15 (1.43)	3.15 (1.43)	3.63 (1.65)	4.67 (2.12)	6.07 (2.76)	7.19 (3.27)	8.50 (3.87)	
Required Subcooling °F (°C)	10 (6)	10 (6)	10 (6)	10 (6)	10 (6)	10 (6)	10 (6)	
Models AKA	Weight, shipping lbs. (kg)	120 (54)	123 (56)	126 (57)	139 (63)	187 (85)	197 (89)	216 (98)
	Weight, operating lbs. (kg)	104 (47)	107 (49)	110 (50)	122 (55)	164 (74)	173 (78)	190 (86)
Models GKA	Weight, shipping lbs. (kg)	124 (56)	127 (58)	130 (59)	144 (65)	195 (88)	206 (93)	224 (102)
	Weight, operating lbs. (kg)	108 (49)	111 (50)	114 (52)	127 (58)	172 (78)	181 (82)	198 (90)

ELECTRICAL DATA (208/230-1-60, voltage range 197V – 253V)							
Model Size	18	24	30	36	42	48	60
Minimum Circuit Ampacity – MCA (amps)	11.7	17.6	16.8	23.0	28.4	27.0	35.9
Maximum OverCurrent Protective device – MOCP (amps)	20	30	25	30	40	40	50
Compressor RLA (Rated Load Amps) LRA (Locked Rotor Amps)	9.0 48.0	13.5 58.3	12.8 64.0	17.3 96.7	21.8 105.0	20.5 115.0	27.6 135.0
Fan Motor FLA (Full Load Amps)	.50	.77	.77	1.4	1.1	1.4	1.4

**Sound Rating tested in accordance with ARI Standard 270-95 (not listed with ARI).

R-410A COOLING CAPACITY LOSS FOR VARIOUS LINE LENGTHS & TUBE DIAMETERS

Model Size	Liquid Line in.(mm)	Acceptable Vapor Line Sizes in. (mm)	Cooling Capacity Loss (%) at Total Equivalent Line Length, feet (m) Refer to Long Line Application Guideline to calculate equivalent length											
			Standard Application			Long Line Application (Requires Accessories)								
			25' (7.6)	50' (15.2)	80' (24.4)	81' (24.7)	100' (30.5)	125' (38.1)	150' (45.7)	175' (53.3)	200' (61)	225' (68.6)	250' (76.2)	
18	3/8 (10)	1/2 (13)	1	2	3	3	4	6	7	8	9	10	12	
		5/8 (16)	0	0	1	1	1	1	2	2	3	3	3	
24		5/8 (16)	0	1	1	1	2	3	3	4	4	5	6	
		3/4 (19)	0	0	0	0	0	1	1	1	1	1	2	
30		7/8 (22)	0	0	0	0	0	0	0	0	0	0	0	1
		5/8 (16)	1	2	3	3	3	4	5	6	7	8	9	
		3/4 (19)	0	0	1	1	1	1	2	2	2	3	3	
36		7/8 (22)	0	0	0	0	0	1	1	1	1	1	1	1
		5/8 (16)	1	2	4	4	5	6	7	9	10	11	13	
		3/4 (19)	0	0	1	1	1	2	2	3	3	4	4	
42		7/8 (22)	0	0	0	0	0	1	1	1	1	2	2	2
		3/4 (19)	0	1	2	2	2	3	4	4	5	6	6	
	1-1/8 (29)	0	0	0	0	0	0	0	0	0	0	0	1	
48	7/8 (22)	0	0	1	1	1	2	2	2	3	3	4		
	3/4 (19)	0	1	2	2	3	4	5	5	6	7	8		
	1-1/8 (29)	0	0	0	0	0	0	0	0	1	1	1		
60	7/8 (22)	0	1	2	2	2	3	4	4	5	5	6		
	3/4 (19)	1	2	4	4	5	6	7	9	10	11	12		
	1-1/8 (29)	0	0	0	0	1	1	1	1	1	1	2		

* Applications are considered "Long Line" if the total equivalent tubing length exceeds 80 feet (24.4m) or there is more than 20 foot (6.1m) vertical separation between indoor and outdoor units. These applications require additional accessories and system modifications for reliable system operation.

Applications in shaded area may have height restrictions that limit allowable total equivalent length when outdoor unit is below indoor unit.

COOLING PERFORMANCE FOR COMBINATION RATINGS Indoor Models

For complete ratings information, use the AHRI website directory search: www.AHRIdirectory.org.

New ratings may be listed online before Specification Sheets are updated.

Outdoor Model	Indoor Model (‡ tested combo)	Furnace Model	Factory Installed	Cooling 95°F (35°C)			SEER		
				BTU/hr	S/T	EER	factory	w/ field TDR	w/ field TXV
R4A318AKA R4A318GKA	‡ED*4X18B**	†	TXV	17,200	0.73	10.90		13.00	
	ED*4X18B**	*8MPV050	TDR&TXV	17,200	0.73	12.00	14.00		
	ED*4X18B**	MV08B15**B*	TDR&TXV	17,200	0.73	12.00	14.00		
	ED*4X18B**	*8MV*0701412**	TDR&TXV	17,500	0.73	12.00	14.50		
	ED*4X18B**	*8MX*0451408**	TDR&TXV	17,800	0.73	12.00	14.50		
	ED*4X24B**	†	TXV	17,200	0.73	10.90		13.00	
	ED*4X24B**	*8MPV050	TDR&TXV	17,200	0.73	12.00	14.00		
	ED*4X24B**	MV08B15**B*	TDR&TXV	17,200	0.73	12.00	14.00		
	ED*4X24B**	*8MV*0701412**	TDR&TXV	17,800	0.73	12.20	14.50		
	ED*4X24B**	*8MX*0451408**	TDR&TXV	18,000	0.73	12.20	14.50		
	ED*4X24F**	†	TXV	17,200	0.73	10.90		13.00	
	ED*4X24F**	*9MPV050	TDR&TXV	17,200	0.73	12.00	14.00		
	ED*4X24F**	*9MPV075	TDR&TXV	17,200	0.73	12.00	14.00		
	ED*4X24F**	*8MV*0901716**	TDR&TXV	17,800	0.73	12.20	14.50		
	EHD4X24A**	†	TXV	17,200	0.73	10.90		13.00	
	EHD4X24A**	*8MPV050	TDR&TXV	17,200	0.73	12.00	14.00		
	EHD4X24A**	*9MPV050	TDR&TXV	17,200	0.73	12.00	14.00		
	EHD4X24A**	*9MPV075	TDR&TXV	17,200	0.73	12.00	14.00		
	EHD4X24A**	MV08B15**B*	TDR&TXV	17,200	0.73	12.00	14.00		
	EHD4X24A**†	*8MV*0701412**	TDR&TXV	17,900	0.73	12.20	14.50		
	EHD4X24A**†	*8MV*0901716**	TDR&TXV	17,900	0.73	12.20	14.50		
	EMA4X24D**	†	TXV	17,200	0.73	10.90		13.00	
	EN(A,D)4X18*14**	†	TXV	17,600	0.73	11.00		13.00	
	EN(A,D)4X18*14**	*8MV*0701412**	TDR&TXV	17,500	0.73	12.00	14.50		
	EN(A,D)4X18*14**	*8MX*0451408**	TDR&TXV	17,800	0.73	12.00	14.50		
	EN(A,D)4X19*17**	†	TXV	18,000	0.73	11.00		13.00	
	EN(A,D)4X19*17**	*8MV*0701412**	TDR&TXV	17,600	0.73	12.00	14.50		
	EN(A,D)4X19*17**	*8MV*0901716**	TDR&TXV	17,800	0.73	12.00	14.50		
	EN(A,D)4X19*17**	*8MX*0451408**	TDR&TXV	18,000	0.73	12.00	14.50		
	EN(A,D)4X19*17**	*8MPV050	TDR&TXV	18,000	0.73	12.00	14.50		
	EN(A,D)4X19*17**	MV08B15**B*	TDR&TXV	18,000	0.73	12.00	14.50		
	EN(A,D)4X19*17**	NOMV106D12*	TDR&TXV	18,000	0.73	12.00	14.50		
	EN(A,D)4X24*14**	†	TXV	17,900	0.73	11.00		13.20	
	EN(A,D)4X24*14**	*8MV*0701412**	TDR&TXV	17,800	0.73	12.20	14.50		
	EN(A,D)4X24*14**	*8MX*0451408**	TDR&TXV	18,000	0.73	12.20	14.50		
	EN(A,D)4X24*17**	†	TXV	17,900	0.73	11.00		13.20	
	EN(A,D)4X24*17**	*8MV*0901716**	TDR&TXV	17,800	0.73	12.20	14.50		
	ENH4X24*17**	†	TXV	17,900	0.73	11.00		13.20	
	ENH4X24*17**	*8MV*0701412**	TDR&TXV	17,800	0.73	12.20	14.50		
	ENH4X24*17**	*8MV*0901716**	TDR&TXV	17,800	0.73	12.20	14.50		
ENH4X24*17**	*8MX*0451408**	TDR&TXV	17,800	0.73	12.20	14.50			
FEA4X18**A*	—	TDR&TXV	17,200	0.73	12.00	14.00			
FEA4X24**A*	—	TDR&TXV	17,200	0.73	12.20	14.50			
FEM4P18**A*+TXV	—	TDR	17,600	0.73	12.00			14.50	
FEM4P24**A*+TXV	—	TDR	17,600	0.73	12.00			14.50	
FEM4P30**A*+TXV	—	TDR	17,700	0.73	11.00			13.50	
FEM4X18****	—	TDR&TXV	17,200	0.73	12.00	14.00			
FEM4X24****	—	TDR&TXV	17,200	0.73	12.00	14.00			
FS(M,U)4P18**A*+TXV	—	TDR	17,600	0.73	11.00			13.50	
FS(M,U)4P24**A*+TXV	—	TDR	17,600	0.73	11.00			13.50	
FS(M,U)4X18****	—	TDR&TXV	17,200	0.73	10.90	13.00			
FS(M,U)4X24****	—	TDR&TXV	17,200	0.73	10.90	13.00			
FSA4X18**A*	—	TDR&TXV	17,200	0.73	10.90	13.00			
FSA4X24**A*	—	TDR&TXV	17,200	0.73	10.90	13.00			
FVM4X24****	—	TDR&TXV	17,200	0.73	12.00	14.00			
FXM4X18**A*	—	TDR&TXV	17,800	0.73	12.00	14.50			
FXM4X24**A*	—	TDR&TXV	17,800	0.73	12.00	14.50			
FXM4X30**A*	—	TDR&TXV	17,800	0.73	12.00	14.50			
R4A324AKA R4A324GKA	‡ED*4X24B**	†	TXV	23,000	0.72	11.00		13.00	
	ED*4X24B**	*8MPV050	TDR&TXV	23,000	0.72	11.00	13.50		
	ED*4X24B**	MV08B15**B*	TDR&TXV	23,000	0.72	12.00	14.00		
	ED*4X24B**	*8MV*0701412**	TDR&TXV	22,800	0.72	12.00	14.50		
	ED*4X24B**	*8MX*0451408**	TDR&TXV	23,000	0.72	11.70	14.00		
	ED*4X24F**	†	TXV	23,000	0.72	11.00		13.00	
ED*4X24F**	*8MPV075	TDR&TXV	23,000	0.72	12.00	14.00			

2009 ENERGY STAR compliance for combinations with both: SEER 14.50 or higher and EER 12.00 or higher.

† For coils not listed with a matching furnace or blower, coil rating applies with any indoor blower device

– continued on next page –

COOLING PERFORMANCE FOR COMBINATION RATINGS Indoor Models

For complete ratings information, use the AHRI website directory search: www.AHRIdirectory.org.
New ratings may be listed online before Specification Sheets are updated.

Outdoor Model	Indoor Model (‡ tested combo)	Furnace Model	Factory Installed	Cooling 95°F (35°C)			SEER		
				BTU/hr	S/T	EER	factory	w/ field TDR	w/ field TXV
R4A324AKA R4A324GKA (continued)	ED*4X24F**	*9MPV050	TDR&TXV	23,000	0.72	11.50	14.00		
	ED*4X24F**	*9MPV075	TDR&TXV	23,000	0.72	11.50	13.50		
	ED*4X24F**	MV12F19**B*	TDR&TXV	23,000	0.72	12.00	14.00		
	ED*4X24F**	*9MVX040	TDR&TXV	23,000	0.72	11.00	13.50		
	ED*4X24F**	*9MVX060	TDR&TXV	23,000	0.72	11.00	13.50		
	ED*4X24F**	*8MV*0901716**	TDR&TXV	23,000	0.72	12.20	14.50		
	ED*4X30B**	†	TXV	23,000	0.72	11.00		13.00	
	ED*4X30B**	*8MPV050	TDR&TXV	23,000	0.72	11.50	13.50		
	ED*4X30B**	MV08B15**B*	TDR&TXV	23,000	0.72	12.00	14.00		
	ED*4X30B**	*8MV*0701412**	TDR&TXV	23,000	0.72	12.00	14.50		
	ED*4X30B**	*8MX*0451408**	TDR&TXV	23,400	0.72	12.00	14.50		
	ED*4X30F**	†	TXV	23,000	0.72	11.00		13.00	
	ED*4X30F**	*8MPV075	TDR&TXV	23,000	0.72	12.00	14.00		
	ED*4X30F**	*9MPV050	TDR&TXV	23,000	0.72	12.00	14.00		
	ED*4X30F**	*9MPV075	TDR&TXV	23,000	0.72	11.50	14.00		
	ED*4X30F**	MV12F19**B*	TDR&TXV	23,000	0.72	12.00	14.00		
	ED*4X30F**	*9MVX040	TDR&TXV	23,000	0.72	11.00	14.00		
	ED*4X30F**	*9MVX060	TDR&TXV	23,000	0.72	12.00	14.00		
	ED*4X30F**	*8MV*0901716**	TDR&TXV	23,200	0.72	12.20	14.50		
	ED*4X36F**	*8MX*0451408**	TDR&TXV	23,400	0.72	12.20	14.50		
	EHD4X24A**	†	TXV	23,000	0.72	11.00		13.00	
	EHD4X24A**	*8MPV050	TDR&TXV	23,000	0.72	11.50	13.50		
	EHD4X24A**	*8MPV075	TDR&TXV	23,000	0.72	11.50	14.00		
	EHD4X24A**	*8MPV100	TDR&TXV	23,000	0.72	12.00	14.00		
	EHD4X24A**	*8MPV125	TDR&TXV	23,000	0.72	12.00	14.00		
	EHD4X24A**	*9MPV050	TDR&TXV	23,000	0.72	11.50	13.50		
	EHD4X24A**	*9MPV075	TDR&TXV	23,000	0.72	11.50	13.50		
	EHD4X24A**	*9MPV100	TDR&TXV	23,000	0.72	11.50	13.50		
	EHD4X24A**	*9MPV125	TDR&TXV	23,000	0.72	12.00	14.00		
	EHD4X24A**	MV08B15**B*	TDR&TXV	23,000	0.72	12.00	14.00		
	EHD4X24A**	MV12F19**B*	TDR&TXV	23,000	0.72	12.00	14.00		
	EHD4X24A**	*9MVX040	TDR&TXV	23,000	0.72	11.00	13.50		
	EHD4X24A**	*9MVX060	TDR&TXV	23,000	0.72	11.00	13.50		
	EHD4X24A**	*9MVX080	TDR&TXV	23,000	0.72	11.00	13.50		
	EHD4X24A**	*9MVX100	TDR&TXV	23,000	0.72	12.00	14.00		
	EHD4X24A**	*8MV*0701412**	TDR&TXV	23,000	0.72	12.00	14.50		
	EHD4X24A**	*8MV*0901716**	TDR&TXV	23,200	0.72	12.00	14.50		
	EHD4X24A**	*8MV*1102120**	TDR&TXV	23,200	0.72	12.00	14.50		
	EHD4X24A**	*8MV*1352422**	TDR&TXV	23,200	0.72	12.00	14.50		
	EHD4X24A**	*8MX*0451408**	TDR&TXV	23,200	0.72	12.00	14.50		
	EHD4X30A**	†	TXV	23,000	0.72	11.00		13.00	
	EHD4X30A**	*8MPV050	TDR&TXV	23,000	0.72	11.50	13.50		
EHD4X30A**	*8MPV075	TDR&TXV	23,000	0.72	12.00	14.00			
EHD4X30A**	*8MPV100	TDR&TXV	23,000	0.72	12.00	14.00			
EHD4X30A**	*8MPV125	TDR&TXV	23,000	0.72	12.00	14.00			
EHD4X30A**	*9MPV050	TDR&TXV	23,000	0.72	11.50	14.00			
EHD4X30A**	*9MPV075	TDR&TXV	23,000	0.72	11.50	14.00			
EHD4X30A**	*9MPV100	TDR&TXV	23,000	0.72	12.00	14.00			
EHD4X30A**	*9MPV125	TDR&TXV	23,000	0.72	12.00	14.00			
EHD4X30A**	MV08B15**B*	TDR&TXV	23,000	0.72	12.00	14.00			
EHD4X30A**	MV12F19**B*	TDR&TXV	23,000	0.72	12.00	14.50			
EHD4X30A**	*9MVX040	TDR&TXV	23,000	0.72	11.00	14.00			
EHD4X30A**	*9MVX060	TDR&TXV	23,000	0.72	11.00	14.00			
EHD4X30A**	*9MVX100	TDR&TXV	23,000	0.72	12.00	14.50			
EHD4X30A**	*8MV*0701412**	TDR&TXV	23,000	0.72	12.00	14.50			
EHD4X30A**	*8MV*0901716**	TDR&TXV	23,200	0.72	12.20	14.50			
EHD4X30A**	*8MV*1102120**	TDR&TXV	23,200	0.72	12.20	14.50			
EHD4X30A**	*8MV*1352422**	TDR&TXV	23,200	0.72	12.20	14.50			
EHD4X30A**	*8MX*0451408**	TDR&TXV	23,400	0.72	12.00	14.50			
EMA4X24D**	†	TXV	23,000	0.72	11.00		13.00		
EN(A,D)4X24*14**	†	TXV	23,000	0.72	11.00		13.00		
EN(A,D)4X24*14**	*8MV*0701412**	TDR&TXV	22,800	0.72	11.70	14.00			
EN(A,D)4X24*14**	*8MX*0451408**	TDR&TXV	23,000	0.72	11.70	14.00			
EN(A,D)4X24*17**	†	TXV	23,000	0.72	11.00		13.00		
EN(A,D)4X24*17**	*8MV*0901716**	TDR&TXV	22,800	0.72	12.00	14.50			

2009 ENERGY STAR compliance for combinations with both: SEER 14.50 or higher and EER 12.00 or higher.

† For coils not listed with a matching furnace or blower, coil rating applies with any indoor blower device

- continued on next page -

COOLING PERFORMANCE FOR COMBINATION RATINGS Indoor Models

For complete ratings information, use the AHRI website directory search: www.AHRIdirectory.org.
New ratings may be listed online before Specification Sheets are updated.

Outdoor Model	Indoor Model (‡ tested combo)	Furnace Model	Factory Installed	Cooling 95°F (35°C)			SEER		
				BTU/hr	S/T	EER	factory	w/ field TDR	w/ field TXV
R4A324AKA R4A324GKA (continued)	EN(A,D)4X30*14**	†	TXV	23,200	0.72	11.00		13.00	
	EN(A,D)4X30*14**	*8MV*0701412**	TDR&TXV	23,000	0.72	12.00	14.50		
	EN(A,D)4X30*14**	*8MX*0451408**	TDR&TXV	23,200	0.72	12.00	14.50		
	EN(A,D)4X30*17**	†	TXV	23,200	0.72	11.00		13.00	
	EN(A,D)4X30*17**	*8MV*0901716**	TDR&TXV	23,200	0.72	12.20	14.50		
	EN(A,D)4X31*17**	*8MV*0701412**	TDR&TXV	23,000	0.72	12.00	14.50		
	EN(A,D)4X31*17**	*8MV*0901716**	TDR&TXV	23,000	0.72	12.00	14.50		
	EN(A,D)4X31*17**	*8MX*0451408**	TDR&TXV	23,000	0.72	12.00	14.50		
	EN(A,D)4X31*17**	*8MPV050	TDR&TXV	23,000	0.72	11.50	14.00		
	EN(A,D)4X31*17**	MV08B15**B*	TDR&TXV	23,000	0.72	12.00	14.50		
	EN(A,D)4X31*17**	NOMV106D12*	TDR&TXV	23,000	0.72	12.00	14.50		
	EN(A,D,W)4X36*17**	*8MX*0451408**	TDR&TXV	23,400	0.72	12.00	14.50		
	ENH4X24*17**	†	TXV	23,000	0.72	11.00		13.00	
	ENH4X24*17**	*8MV*0701412**	TDR&TXV	22,800	0.72	11.70	14.00		
	ENH4X24*17**	*8MV*0901716**	TDR&TXV	22,800	0.72	12.00	14.50		
	ENH4X24*17**	*8MV*1102120**	TDR&TXV	22,800	0.72	11.70	14.00		
	ENH4X24*17**	*8MV*1352422**	TDR&TXV	22,800	0.72	12.00	14.50		
	ENH4X24*17**	*8MX*0451408**	TDR&TXV	23,000	0.72	11.70	14.00		
	ENH4X30*17**	†	TXV	23,200	0.72	11.00		13.00	
	ENH4X30*17**	*8MV*0701412**	TDR&TXV	23,000	0.72	12.00	14.50		
	ENH4X30*17**	*8MV*0901716**	TDR&TXV	23,200	0.72	12.20	14.50		
	ENH4X30*17**	*8MV*1102120**	TDR&TXV	23,200	0.72	12.20	14.50		
	ENH4X30*17**	*8MV*1352422**	TDR&TXV	23,200	0.72	12.20	14.50		
	ENH4X30*17**	*8MX*0451408**	TDR&TXV	23,400	0.72	12.00	14.50		
	FEA4X24**A*	—	TDR&TXV	23,000	0.72	11.70	14.00		
	FEA4X30**A*	—	TDR&TXV	23,200	0.72	11.70	14.00		
	FEM4P24**A*+TXV	—	TDR	23,000	0.72	11.00			13.50
	FEM4P30**A*+TXV	—	TDR	23,400	0.72	12.00			14.50
	FEM4X24****	—	TDR&TXV	23,000	0.72	11.50	14.00		
	FEM4X30****	—	TDR&TXV	23,000	0.72	12.00	14.00		
	FS(M,U)4P24**A*+TXV	—	TDR	23,200	0.72	11.00			13.50
	FS(M,U)4P30**A*+TXV	—	TDR	23,400	0.72	11.50			13.50
	FS(M,U)4X24****	—	TDR&TXV	23,000	0.72	11.00	13.00		
	FS(M,U)4X30****	—	TDR&TXV	23,000	0.72	11.00	13.00		
	FSA4X24**A*	—	TDR&TXV	23,000	0.72	10.90	13.00		
	FSA4X30**A*	—	TDR&TXV	23,000	0.72	10.90	13.00		
	FVM4X24****	—	TDR&TXV	23,000	0.72	12.00	14.00		
	FVM4X36****	—	TDR&TXV	23,000	0.72	12.00	14.00		
	FXM4X24**A*	—	TDR&TXV	23,400	0.73	12.00	14.50		
	FXM4X30**A*	—	TDR&TXV	23,600	0.73	11.50	14.00		
FXM4X36**A*	—	TDR&TXV	23,800	0.73	12.00	14.50			
R4A330AKA R4A330GKA	‡ED*4X30B**	†	TXV	27,200	0.77	10.80		13.00	
	ED*4X30B**	MV08B15**B*	TDR&TXV	27,200	0.77	12.00	14.00		
	ED*4X30B**	*8MV*0701412**	TDR&TXV	27,200	0.77	11.70	14.00		
	ED*4X30F**	†	TXV	27,200	0.77	10.80		13.00	
	ED*4X30F**	*8MPV075	TDR&TXV	27,200	0.77	11.50	13.50		
	ED*4X30F**	MV12F19**B*	TDR&TXV	27,200	0.77	12.00	14.00		
	ED*4X30F**	*9MVX040	TDR&TXV	27,200	0.77	11.00	13.50		
	ED*4X30F**	*9MVX060	TDR&TXV	27,200	0.77	11.00	13.50		
	ED*4X30F**	*8MV*0901716**	TDR&TXV	27,400	0.77	12.00	14.00		
	ED*4X30F**	*8MX*0701716**	TDR&TXV	27,400	0.77	11.70	14.00		
	ED*4X36B**	†	TXV	27,200	0.77	10.80		13.00	
	ED*4X36B**	MV08B15**B*	TDR&TXV	27,200	0.77	12.00	14.00		
	ED*4X36B**	*8MV*0701412**	TDR&TXV	27,400	0.77	11.70	14.00		
	ED*4X36F**	†	TXV	27,200	0.77	10.80		13.00	
	ED*4X36F**	*8MPV075	TDR&TXV	27,200	0.77	11.50	13.50		
	ED*4X36F**	MV12F19**B*	TDR&TXV	27,200	0.77	12.00	14.00		
	ED*4X36F**	*9MVX040	TDR&TXV	27,200	0.77	11.00	13.50		
	ED*4X36F**	*9MVX060	TDR&TXV	27,200	0.77	11.00	13.50		
	ED*4X36F**	*8MV*0901716**	TDR&TXV	27,400	0.77	12.00	14.50		
	ED*4X36F**	*8MX*0701716**	TDR&TXV	27,600	0.77	11.70	14.00		
ED*4X36J**	†	TXV	27,200	0.77	10.80		13.00		
ED*4X36J**	*8MPV100	TDR&TXV	27,200	0.77	12.00	14.00			
ED*4X36J**	*8MPV125	TDR&TXV	27,200	0.77	12.00	14.00			
ED*4X36J**	*9MPV100	TDR&TXV	27,200	0.77	11.50	14.00			

2009 ENERGY STAR compliance for combinations with both: SEER 14.50 or higher and EER 12.00 or higher.

† For coils not listed with a matching furnace or blower, coil rating applies with any indoor blower device

- continued on next page -

COOLING PERFORMANCE FOR COMBINATION RATINGS Indoor Models

For complete ratings information, use the AHRI website directory search: www.AHRIdirectory.org.
New ratings may be listed online before Specification Sheets are updated.

Outdoor Model	Indoor Model (‡ tested combo)	Furnace Model	Factory Installed	Cooling 95°F (35°C)			SEER		
				BTU/hr	S/T	EER	factory	w/ field TDR	w/ field TXV
R4A330AKA R4A330GKA (continued)	ED*4X36J**	*9MVX080	TDR&TXV	27,200	0.77	11.00	14.00		
	ED*4X36J**	*8MV*1102120**	TDR&TXV	27,600	0.77	12.00	14.50		
	ED*4X36J**	*8MX*0902116**	TDR&TXV	27,800	0.77	12.00	14.00		
	EHD4X30A**	†	TXV	27,200	0.77	10.80		13.00	
	EHD4X30A**	*8MPV075	TDR&TXV	27,200	0.77	11.50	13.50		
	EHD4X30A**	*8MPV100	TDR&TXV	27,200	0.77	11.50	14.00		
	EHD4X30A**	*8MPV125	TDR&TXV	27,200	0.77	11.50	14.00		
	EHD4X30A**	*9MPV100	TDR&TXV	27,200	0.77	11.50	13.50		
	EHD4X30A**	*9MPV125	TDR&TXV	27,200	0.77	11.50	13.50		
	EHD4X30A**	MV08B15**B*	TDR&TXV	27,200	0.77	12.00	14.00		
	EHD4X30A**	MV12F19**B*	TDR&TXV	27,200	0.77	12.00	14.00		
	EHD4X30A**	*9MVX040	TDR&TXV	27,200	0.77	11.00	13.50		
	EHD4X30A**	*9MVX060	TDR&TXV	27,200	0.77	11.00	13.50		
	EHD4X30A**	*9MVX080	TDR&TXV	27,200	0.77	11.00	14.00		
	EHD4X30A**	*9MVX100	TDR&TXV	27,200	0.77	11.00	13.50		
	EHD4X30A**	*8MV*0701412**	TDR&TXV	27,200	0.77	11.70	13.50		
	EHD4X30A**	*8MV*0901716**	TDR&TXV	27,400	0.77	11.70	14.00		
	EHD4X30A**	*8MV*1102120**	TDR&TXV	27,600	0.77	11.70	14.00		
	EHD4X30A**	*8MV*1352422**	TDR&TXV	27,600	0.77	11.70	14.00		
	EHD4X30A**	*8MX*0701716**	TDR&TXV	27,600	0.77	11.50	13.50		
	EHD4X30A**	*8MX*0902116**	TDR&TXV	27,600	0.77	11.70	14.00		
	EHD4X36A**	†	TXV	27,200	0.77	10.80		13.00	
	EHD4X36A**	*8MPV075	TDR&TXV	27,200	0.77	11.50	14.00		
	EHD4X36A**	*8MPV100	TDR&TXV	27,200	0.77	12.00	14.00		
	EHD4X36A**	*8MPV125	TDR&TXV	27,200	0.77	12.00	14.00		
	EHD4X36A**	*9MPV050	TDR&TXV	27,200	0.77	11.50	13.50		
	EHD4X36A**	*9MPV075	TDR&TXV	27,200	0.77	11.50	13.50		
	EHD4X36A**	*9MPV100	TDR&TXV	27,200	0.77	11.50	13.50		
	EHD4X36A**	*9MPV125	TDR&TXV	27,200	0.77	12.00	14.00		
	EHD4X36A**	MV08B15**B*	TDR&TXV	27,200	0.77	12.00	14.00		
	EHD4X36A**	MV12F19**B*	TDR&TXV	27,200	0.77	12.00	14.00		
	EHD4X36A**	*9MVX040	TDR&TXV	27,200	0.77	11.00	13.50		
	EHD4X36A**	*9MVX060	TDR&TXV	27,200	0.77	11.00	13.50		
	EHD4X36A**	*9MVX080	TDR&TXV	27,200	0.77	12.00	14.00		
	EHD4X36A**	*9MVX100	TDR&TXV	27,200	0.77	12.00	14.00		
	EHD4X36A**	*8MV*0701412**	TDR&TXV	27,800	0.77	12.00	14.00		
	EHD4X36A**	*8MV*0901716**	TDR&TXV	27,800	0.77	12.00	14.50		
	EHD4X36A**	*8MV*1102120**	TDR&TXV	27,800	0.77	12.00	14.00		
	EHD4X36A**	*8MV*1352422**	TDR&TXV	27,800	0.77	12.00	14.00		
	EHD4X36A**	*8MX*0701716**	TDR&TXV	27,800	0.77	11.70	13.50		
	EHD4X36A**	*8MX*0902116**	TDR&TXV	27,800	0.77	12.00	14.00		
	EMA4X36D**	†	TXV	27,200	0.77	10.80		13.00	
	EN(A,D)4X30*14**	†	TXV	27,400	0.77	10.80		13.00	
	EN(A,D)4X30*14**	*8MV*0701412**	TDR&TXV	27,200	0.77	11.70	14.00		
	EN(A,D)4X30*17**	†	TXV	27,400	0.77	10.90		13.00	
EN(A,D)4X30*17**	*8MV*0901716**	TDR&TXV	27,400	0.77	11.70	14.00			
EN(A,D)4X30*17**	*8MX*0701716**	TDR&TXV	27,400	0.77	11.50	14.00			
EN(A,D)4X36*21**	†	TXV	27,400	0.77	10.80		13.00		
EN(A,D)4X36*21**	*8MV*1102120**	TDR&TXV	27,400	0.77	11.70	14.00			
EN(A,D)4X36*21**	*8MX*0902116**	TDR&TXV	27,600	0.77	11.70	14.00			
EN(A,D)4X37*17**	†	TXV	28,000	0.77	11.00		13.00		
EN(A,D)4X37*17**	*8MV*0701412**	TDR&TXV	28,000	0.77	12.00	14.50			
EN(A,D)4X37*17**	*8MV*0901716**	TDR&TXV	28,000	0.77	12.00	14.50			
EN(A,D)4X37*17**	*8MX*0701716**	TDR&TXV	28,000	0.77	12.00	14.50			
EN(A,D)4X37*17**	*8MPV050	TDR&TXV	28,000	0.77	11.00	13.50			
EN(A,D)4X37*17**	MV08B15**B*	TDR&TXV	28,000	0.77	12.00	14.50			
EN(A,D)4X37*17**	NOMV106D12*	TDR&TXV	28,000	0.77	12.00	14.50			
EN(A,D,W)4X36*17**	†	TXV	27,400	0.77	10.80		13.00		
EN(A,D,W)4X36*17**	*8MV*0901716**	TDR&TXV	27,400	0.77	11.70	14.00			
EN(A,D,W)4X36*17**	*8MX*0701716**	TDR&TXV	27,400	0.77	11.50	14.00			
EN(A,D,W)4X42*21**	†	TXV	27,600	0.77	10.95		13.00		
EN(A,D,W)4X48*21**	*8MX*0902116**	TDR&TXV	28,400	0.77	12.20	14.50			
END4X42*17**	*8MV*0901716**	TDR&TXV	27,800	0.77	12.10	14.50			
END4X42*17**	†	TXV	27,600	0.77	11.00		13.00		
ENH4X30*17**	†	TXV	27,400	0.77	10.90		13.00		

2009 ENERGY STAR compliance for combinations with both: SEER 14.50 or higher and EER 12.00 or higher.

† For coils not listed with a matching furnace or blower, coil rating applies with any indoor blower device

- continued on next page -

COOLING PERFORMANCE FOR COMBINATION RATINGS Indoor Models

For complete ratings information, use the AHRI website directory search: www.AHRIdirectory.org.
New ratings may be listed online before Specification Sheets are updated.

Outdoor Model	Indoor Model (‡ tested combo)	Furnace Model	Factory Installed	Cooling 95°F (35°C)			SEER		
				BTU/hr	S/T	EER	factory	w/ field TDR	w/ field TXV
R4A330AKA R4A330GKA (continued)	ENH4X30*17**	*8MV*0701412**	TDR&TXV	27,200	0.77	11.70	14.00		
	ENH4X30*17**	*8MV*0901716**	TDR&TXV	27,400	0.77	11.70	14.00		
	ENH4X30*17**	*8MV*1102120**	TDR&TXV	27,400	0.77	11.70	14.00		
	ENH4X30*17**	*8MV*1352422**	TDR&TXV	27,400	0.77	12.00	14.00		
	ENH4X30*17**	*8MX*0701716**	TDR&TXV	27,400	0.77	11.50	14.00		
	ENH4X30*17**	*8MX*0902116**	TDR&TXV	27,600	0.77	11.70	14.00		
	ENH4X36*17**	†	TXV	27,400	0.77	10.80		13.00	
	ENH4X36*17**	*8MV*0701412**	TDR&TXV	27,400	0.77	11.70	14.00		
	ENH4X36*17**	*8MV*0901716**	TDR&TXV	27,400	0.77	11.70	14.00		
	ENH4X36*17**	*8MV*1102120**	TDR&TXV	27,400	0.77	11.70	14.00		
	ENH4X36*17**	*8MV*1352422**	TDR&TXV	27,400	0.77	12.00	14.00		
	ENH4X36*17**	*8MX*0701716**	TDR&TXV	27,400	0.77	11.50	14.00		
	ENH4X36*17**	*8MX*0902116**	TDR&TXV	27,600	0.77	11.70	14.00		
	ENH4X42*21**	†	TXV	27,600	0.77	10.95		13.00	
	FEA4X30**A*	—	TDR&TXV	27,600	0.77	11.50	13.50		
	FEA4X36**A*	—	TDR&TXV	27,800	0.77	11.50	13.50		
	FEM4P30**A*+TXV	—	TDR	27,600	0.77	11.00			13.50
	FEM4P36**A*+TXV	—	TDR	27,600	0.77	11.00			13.50
	FEM4P42**A*+TXV	—	TDR	28,000	0.77	11.00			13.50
	FEM4X30****	—	TDR&TXV	27,200	0.77	11.50	13.50		
	FEM4X36****	—	TDR&TXV	27,200	0.77	11.50	13.50		
	FS(M,U)4P30**A*+TXV	—	TDR	27,600	0.77	11.00			13.50
	FS(M,U)4P36**A*+TXV	—	TDR	27,600	0.77	11.00			13.50
	FS(M,U)4X30****	—	TDR&TXV	27,200	0.77	10.80	13.00		
	FSA4X30**A*	—	TDR&TXV	27,200	0.77	10.80	13.00		
	FSA4X36**A*	—	TDR&TXV	27,200	0.77	10.80	13.00		
	FSM4X36****	—	TDR&TXV	27,200	0.77	10.80	13.00		
	FSU4X36****	—	TDR&TXV	27,200	0.77	10.80	13.00		
	FVM4X24****	—	TDR&TXV	27,200	0.77	11.50	14.00		
	FVM4X36****	—	TDR&TXV	27,200	0.77	12.00	14.00		
	FVM4X48****	—	TDR&TXV	27,200	0.77	12.00	14.00		
	FXM4X30**A*	—	TDR&TXV	28,000	0.73	11.50	14.00		
	FXM4X36**A*	—	TDR&TXV	28,200	0.73	12.00	14.50		
FXM4X42**A*	—	TDR&TXV	28,200	0.73	11.00	13.50			
R4A336AKB R4A336GKB	‡ED*4X48J**	†	TXV	34,000	0.75	11.00		13.00	
	ED*4X42F**	*8MPV075	TDR&TXV	33,400	0.75	11.00	13.50		
	ED*4X42F**	*9MPV075	TDR&TXV	33,400	0.75	11.00	13.50		
	ED*4X42F**	*9MVX060	TDR&TXV	33,400	0.75	11.00	13.50		
	ED*4X42F**	MV12F19**B*	TDR&TXV	33,400	0.75	11.50	14.00		
	ED*4X42J**	*8MPV100	TDR&TXV	33,400	0.75	11.50	14.00		
	ED*4X42J**	*8MPV125	TDR&TXV	33,400	0.75	11.50	14.00		
	ED*4X42J**	*9MPV100	TDR&TXV	33,400	0.75	11.00	13.50		
	ED*4X42J**	*9MPV080	TDR&TXV	33,400	0.75	11.00	13.50		
	ED*4X42J**	MV16J22**B*	TDR&TXV	33,400	0.75	11.50	14.00		
	ED*4X42L**	*9MPV125	TDR&TXV	33,400	0.75	11.50	14.00		
	ED*4X42L**	*9MVX100	TDR&TXV	33,400	0.75	11.50	14.00		
	ED*4X42L**	MV20L24**B*	TDR&TXV	33,400	0.75	11.50	14.00		
	ED*4X48F**	†	TXV	34,000	0.75	11.00		13.00	
	ED*4X48F**	*8MPV075	TDR&TXV	33,400	0.75	11.00	13.50		
	ED*4X48F**	*9MPV075	TDR&TXV	33,400	0.75	11.00	13.50		
	ED*4X48F**	*9MVX060	TDR&TXV	33,400	0.75	11.00	13.50		
	ED*4X48F**	MV12F19**B*	TDR&TXV	33,400	0.75	11.50	14.00		
	ED*4X48J**	*8MPV100	TDR&TXV	33,400	0.75	11.50	14.00		
	ED*4X48J**	*8MPV125	TDR&TXV	33,400	0.75	11.50	14.00		
	ED*4X48J**	*9MPV100	TDR&TXV	33,400	0.75	11.00	13.50		
	ED*4X48J**	*9MVX080	TDR&TXV	33,400	0.75	11.00	13.50		
	ED*4X48J**	MV16J22**B*	TDR&TXV	33,200	0.75	11.50	14.00		
	ED*4X48L**	†	TXV	34,000	0.75	11.00		13.00	
	ED*4X48L**	*9MPV125	TDR&TXV	33,400	0.75	11.50	14.00		
	ED*4X48L**	*9MVX100	TDR&TXV	33,400	0.75	11.50	14.00		
	ED*4X48L**	MV20L24**B*	TDR&TXV	33,200	0.75	11.50	14.00		
EHD4X36A**	†	TXV	33,800	0.75	11.00		13.00		
EHD4X36A**	*8MV*0701412**	TDR&TXV	33,600	0.75	11.50	14.00			
EHD4X36A**	*8MV*0901716**	TDR&TXV	33,600	0.75	11.50	14.00			
EHD4X36A**	*8MV*1102120**	TDR&TXV	33,800	0.75	11.50	14.00			

2009 ENERGY STAR compliance for combinations with both: SEER 14.50 or higher and EER 12.00 or higher.

† For coils not listed with a matching furnace or blower, coil rating applies with any indoor blower device

- continued on next page -

COOLING PERFORMANCE FOR COMBINATION RATINGS Indoor Models

For complete ratings information, use the AHRI website directory search: www.AHRIdirectory.org.
New ratings may be listed online before Specification Sheets are updated.

Outdoor Model	Indoor Model († tested combo)	Furnace Model	Factory Installed	Cooling 95°F (35°C)			SEER		
				BTU/hr	S/T	EER	factory	w/ field TDR	w/ field TXV
R4A336AKB R4A336GKB (continued)	EHD4X36A**	*8MV*1352422**	TDR&TXV	33,600	0.75	11.50	14.00		
	EHD4X36A**	*8MX*0451408**	TDR&TXV	33,600	0.75	11.00	13.00		
	EHD4X36A**	*8MX*0701716**	TDR&TXV	33,600	0.75	11.00	13.00		
	EHD4X36A**	*8MX*0902116**	TDR&TXV	34,000	0.75	11.50	14.00		
	EHD4X36A**	*8MX*1102120**	TDR&TXV	34,000	0.75	12.00	14.50		
	EHD4X36A**	*8MPV050	TDR&TXV	33,400	0.75	11.00	13.00		
	EHD4X36A**	*8MPV075	TDR&TXV	33,800	0.75	11.00	13.00		
	EHD4X36A**	*8MPV100	TDR&TXV	34,200	0.75	11.50	14.00		
	EHD4X36A**	*8MPV125	TDR&TXV	34,200	0.75	12.00	14.00		
	EHD4X36A**	MV08B15**B*	TDR&TXV	33,800	0.75	12.00	14.50		
	EHD4X36A**	MV12F19**B*	TDR&TXV	34,000	0.75	12.00	14.50		
	EHD4X36A**	MV16J22**B*	TDR&TXV	34,000	0.75	12.00	14.50		
	EHD4X36A**	MV20L24**B*	TDR&TXV	34,000	0.75	12.00	14.50		
	EHD4X36A**	NOMV106D12*	TDR&TXV	33,400	0.75	11.50	14.00		
	EHD4X36A**	NOMV156E19*	TDR&TXV	33,600	0.75	11.50	14.00		
	EHD4X42A**	*8MPV050	TDR&TXV	33,400	0.75	11.00	13.50		
	EHD4X42A**	*8MPV075	TDR&TXV	33,400	0.75	11.00	13.50		
	EHD4X42A**	*8MPV100	TDR&TXV	33,400	0.75	11.50	14.00		
	EHD4X42A**	*8MPV125	TDR&TXV	33,400	0.75	11.50	14.00		
	EHD4X42A**	*9MPV050	TDR&TXV	33,400	0.75	11.00	13.50		
	EHD4X42A**	*9MPV075	TDR&TXV	33,400	0.75	11.00	13.50		
	EHD4X42A**	*9MPV100	TDR&TXV	33,400	0.75	11.50	14.00		
	EHD4X42A**	*9MPV125	TDR&TXV	33,400	0.75	11.50	14.00		
	EHD4X42A**	*9MVX040	TDR&TXV	33,400	0.75	11.00	13.50		
	EHD4X42A**	*9MVX060	TDR&TXV	33,400	0.75	11.00	13.50		
	EHD4X42A**	*9MVX080	TDR&TXV	33,400	0.75	11.50	14.00		
	EHD4X42A**	*9MVX100	TDR&TXV	33,400	0.75	11.50	14.00		
	EHD4X42A**	MV08B15**B*	TDR&TXV	33,400	0.75	11.50	14.00		
	EHD4X42A**	MV12F19**B*	TDR&TXV	33,400	0.75	11.50	14.00		
	EHD4X42A**	MV16J22**B*	TDR&TXV	33,400	0.75	11.50	14.00		
	EHD4X42A**	MV20L24**B*	TDR&TXV	33,400	0.75	11.50	14.00		
	EHD4X42A**	†	TXV	34,000	0.75	11.00		13.00	
	EHD4X42A**	*8MV*0701412**	TDR&TXV	33,800	0.75	11.50	14.00		
	EHD4X42A**	*8MV*0901716**	TDR&TXV	34,000	0.75	11.50	14.00		
	EHD4X42A**	*8MV*1102120**	TDR&TXV	33,800	0.75	11.50	14.00		
	EHD4X42A**	*8MV*1352422**	TDR&TXV	33,800	0.75	12.00	14.50		
	EHD4X42A**	*8MX*0451408**	TDR&TXV	33,800	0.75	11.00	13.00		
	EHD4X42A**	*8MX*0701716**	TDR&TXV	33,800	0.75	11.00	13.00		
	EHD4X42A**	*8MX*0902116**	TDR&TXV	34,200	0.75	12.00	14.50		
	EHD4X42A**	*8MX*1102120**	TDR&TXV	34,200	0.75	12.00	14.50		
	EHD4X42A**	*8MPV050	TDR&TXV	33,600	0.75	11.00	13.00		
	EHD4X42A**	*8MPV075	TDR&TXV	34,200	0.75	11.50	14.00		
	EHD4X42A**	*8MPV100	TDR&TXV	34,400	0.75	11.50	14.00		
	EHD4X42A**	*8MPV125	TDR&TXV	34,400	0.75	12.00	14.50		
	EHD4X42A**	MV08B15**B*	TDR&TXV	34,000	0.75	12.00	14.50		
	EHD4X42A**	MV12F19**B*	TDR&TXV	34,200	0.75	12.00	14.50		
	EHD4X42A**	MV16J22**B*	TDR&TXV	34,200	0.75	12.00	14.50		
	EHD4X42A**	MV20L24**B*	TDR&TXV	34,200	0.75	12.00	14.50		
EHD4X42A**	NOMV106D12*	TDR&TXV	33,600	0.75	11.50	14.00			
EHD4X42A**	NOMV156E19*	TDR&TXV	33,800	0.75	11.50	14.00			
EHD4X48A**	†	TXV	34,000	0.75	11.00		13.00		
EHD4X48A**	*8MPV075	TDR&TXV	33,400	0.75	11.00	13.50			
EHD4X48A**	*8MPV100	TDR&TXV	33,400	0.75	11.50	14.00			
EHD4X48A**	*8MPV125	TDR&TXV	33,400	0.75	11.50	14.00			
EHD4X48A**	*9MPV075	TDR&TXV	33,400	0.75	11.00	13.50			
EHD4X48A**	*9MPV100	TDR&TXV	33,400	0.75	11.50	14.00			
EHD4X48A**	*9MPV125	TDR&TXV	33,400	0.75	11.50	14.00			
EHD4X48A**	*9MVX060	TDR&TXV	33,400	0.75	11.00	13.50			
EHD4X48A**	*9MVX080	TDR&TXV	33,400	0.75	11.00	13.50			
EHD4X48A**	*9MVX100	TDR&TXV	33,400	0.75	11.50	14.00			
EHD4X48A**	MV12F19**B*	TDR&TXV	33,400	0.75	11.50	14.00			
EHD4X48A**	MV16J22**B*	TDR&TXV	33,400	0.75	11.50	14.00			
EHD4X48A**	MV20L24**B*	TDR&TXV	33,400	0.75	11.50	14.00			
EMA4X48D**	†	TXV	34,000	0.75	11.00		13.00		
EN(A,D)4X36*21**	*8MV*0901716**	TDR&TXV	33,000	0.75	11.00	13.50			

2009 ENERGY STAR compliance for combinations with both: SEER 14.50 or higher and EER 12.00 or higher.

† For coils not listed with a matching furnace or blower, coil rating applies with any indoor blower device

- continued on next page -

COOLING PERFORMANCE FOR COMBINATION RATINGS Indoor Models

For complete ratings information, use the AHRI website directory search: www.AHRIdirectory.org.

New ratings may be listed online before Specification Sheets are updated.

Outdoor Model	Indoor Model (‡ tested combo)	Furnace Model	Factory Installed	Cooling 95°F (35°C)			SEER		
				BTU/hr	S/T	EER	factory	w/ field TDR	w/ field TXV
R4A336AKB R4A336GKB (continued)	EN(A,D)4X36*21**	*8MV*1102120**	TDR&TXV	33,000	0.75	11.00	13.50		
	EN(A,D)4X36*21**	*8MX*0701716**	TDR&TXV	33,000	0.75	11.00	13.50		
	EN(A,D)4X36*21**	*8MX*0902116**	TDR&TXV	33,200	0.75	11.50	14.00		
	EN(A,D)4X36*21**	*8MX*1102120**	TDR&TXV	33,200	0.75	11.50	14.00		
	EN(A,D)4X36*21**	*8MPV075	TDR&TXV	33,000	0.75	11.00	13.50		
	EN(A,D)4X36*21**	MV12F19**B*	TDR&TXV	33,200	0.75	11.50	14.00		
	EN(A,D)4X36*21**	NOMV106D12*	TDR&TXV	32,600	0.75	11.00	13.50		
	EN(A,D)4X36*21**	NOMV156E19*	TDR&TXV	32,800	0.75	11.00	13.50		
	EN(A,D)4X37*17**	†	TXV	34,400	0.75	11.00		13.00	
	EN(A,D)4X37*17**	*8MV*0701412**	TDR&TXV	34,000	0.75	11.50	14.00		
	EN(A,D)4X37*17**	*8MV*0901716**	TDR&TXV	34,000	0.75	11.50	14.00		
	EN(A,D)4X37*17**	*8MX*0451408**	TDR&TXV	34,000	0.75	11.00	13.50		
	EN(A,D)4X37*17**	*8MX*0701716**	TDR&TXV	34,200	0.75	11.50	14.00		
	EN(A,D)4X37*17**	*8MPV050	TDR&TXV	33,800	0.75	11.00	13.50		
	EN(A,D)4X37*17**	MV08B15**B*	TDR&TXV	34,200	0.75	11.50	14.00		
	EN(A,D)4X37*17**	NOMV106D12*	TDR&TXV	33,800	0.75	11.50	14.00		
	EN(A,D)4X43*24**	†	TXV	34,200	0.75	11.00		13.00	
	EN(A,D)4X43*24**	*8MV*1102120**	TDR&TXV	34,000	0.75	12.00	14.00		
	EN(A,D)4X43*24**	*8MV*1352422**	TDR&TXV	34,200	0.75	12.00	14.50		
	EN(A,D)4X43*24**	*8MX*0902116**	TDR&TXV	34,000	0.75	12.00	14.50		
	EN(A,D)4X43*24**	*8MX*1102120**	TDR&TXV	34,000	0.75	12.00	14.50		
	EN(A,D)4X43*24**	*8MPV100	TDR&TXV	34,800	0.75	12.00	14.50		
	EN(A,D)4X43*24**	*8MPV125	TDR&TXV	34,800	0.75	12.00	14.50		
	EN(A,D)4X43*24**	MV16J22**B*	TDR&TXV	34,200	0.75	12.00	14.50		
	EN(A,D)4X43*24**	MV20L24**B*	TDR&TXV	34,200	0.75	12.00	14.50		
	EN(A,D)4X43*24**	NOMV156E19*	TDR&TXV	34,000	0.75	12.00	14.50		
	EN(A,D,W)4X36*17**	*8MV*0701412**	TDR&TXV	33,000	0.75	11.00	13.00		
	EN(A,D,W)4X36*17**	*8MV*0901716**	TDR&TXV	33,000	0.75	11.00	13.50		
	EN(A,D,W)4X36*17**	*8MX*0451408**	TDR&TXV	33,000	0.75	11.00	13.00		
	EN(A,D,W)4X36*17**	*8MX*0701716**	TDR&TXV	33,000	0.75	11.00	13.00		
	EN(A,D,W)4X36*17**	MV08B15**B*	TDR&TXV	33,200	0.75	11.50	13.50		
	EN(A,D,W)4X36*17**	NOMV106D12*	TDR&TXV	32,600	0.75	11.00	13.00		
	EN(A,D,W)4X42*21**	*8MV*0901716**	TDR&TXV	33,200	0.75	11.50	14.00		
	EN(A,D,W)4X42*21**	*8MV*1102120**	TDR&TXV	33,200	0.75	11.50	14.00		
	EN(A,D,W)4X42*21**	*8MX*0701716**	TDR&TXV	33,200	0.75	11.00	13.00		
	EN(A,D,W)4X42*21**	*8MX*0902116**	TDR&TXV	33,200	0.75	11.50	14.00		
	EN(A,D,W)4X42*21**	*8MX*1102120**	TDR&TXV	33,600	0.75	11.50	14.00		
	EN(A,D,W)4X42*21**	*8MPV075	TDR&TXV	33,200	0.75	11.00	13.00		
	EN(A,D,W)4X42*21**	MV12F19**B*	TDR&TXV	33,600	0.75	12.00	14.00		
	EN(A,D,W)4X42*21**	NOMV106D12*	TDR&TXV	33,000	0.75	11.00	13.50		
EN(A,D,W)4X42*21**	NOMV156E19*	TDR&TXV	33,200	0.75	11.50	14.00			
END4X42*17**	†	TXV	33,800	0.75	11.00		13.00		
END4X42*17**	*8MV*0701412**	TDR&TXV	33,400	0.75	11.00	13.50			
END4X42*17**	*8MV*0901716**	TDR&TXV	33,200	0.75	11.50	14.00			
END4X42*17**	*8MX*0451408**	TDR&TXV	33,200	0.75	11.00	13.00			
END4X42*17**	*8MX*0701716**	TDR&TXV	33,200	0.75	11.00	13.00			
END4X42*17**	*8MPV050	TDR&TXV	33,200	0.75	11.00	13.00			
END4X42*17**	MV08B15**B*	TDR&TXV	33,800	0.75	11.50	14.00			
END4X42*17**	NOMV106D12*	TDR&TXV	33,200	0.75	11.00	13.50			
ENH4X36*17**	*8MV*0701412**	TDR&TXV	32,800	0.75	11.00	13.00			
ENH4X36*17**	*8MV*0901716**	TDR&TXV	33,000	0.75	11.00	13.50			
ENH4X36*17**	*8MV*1102120**	TDR&TXV	33,000	0.75	11.00	13.50			
ENH4X36*17**	*8MV*1352422**	TDR&TXV	33,000	0.75	11.00	13.50			
ENH4X36*17**	*8MX*0451408**	TDR&TXV	32,800	0.75	11.00	13.00			
ENH4X36*17**	*8MX*0701716**	TDR&TXV	32,800	0.75	11.00	13.00			
ENH4X36*17**	*8MX*0902116**	TDR&TXV	33,000	0.75	11.50	14.00			
ENH4X36*17**	*8MX*1102120**	TDR&TXV	33,200	0.75	11.50	14.00			
ENH4X36*17**	*8MPV050	TDR&TXV	32,600	0.75	11.00	13.00			
ENH4X36*17**	*8MPV075	TDR&TXV	33,000	0.75	11.00	13.50			
ENH4X36*17**	*8MPV100	TDR&TXV	33,200	0.75	11.00	13.50			
ENH4X36*17**	*8MPV125	TDR&TXV	33,200	0.75	11.00	13.50			
ENH4X36*17**	MV08B15**B*	TDR&TXV	33,200	0.75	11.50	13.50			
ENH4X36*17**	MV12F19**B*	TDR&TXV	33,200	0.75	11.50	14.00			
ENH4X36*17**	MV16J22**B*	TDR&TXV	33,000	0.75	11.50	14.00			
ENH4X36*17**	MV20L24**B*	TDR&TXV	33,200	0.75	11.50	14.00			

2009 ENERGY STAR compliance for combinations with both: SEER 14.50 or higher and EER 12.00 or higher.

† For coils not listed with a matching furnace or blower, coil rating applies with any indoor blower device

- continued on next page -

COOLING PERFORMANCE FOR COMBINATION RATINGS Indoor Models

For complete ratings information, use the AHRI website directory search: www.AHRIdirectory.org.
New ratings may be listed online before Specification Sheets are updated.

Outdoor Model	Indoor Model (‡ tested combo)	Furnace Model	Factory Installed	Cooling 95°F (35°C)			SEER		
				BTU/hr	S/T	EER	factory	w/ field TDR	w/ field TXV
R4A336AKB R4A336GKB (continued)	ENH4X36*17**	NOMV106D12*	TDR&TXV	32,600	0.75	11.00	13.00		
	ENH4X36*17**	NOMV156E19*	TDR&TXV	32,800	0.75	11.00	13.00		
	ENH4X42*21**	*8MV*0701412**	TDR&TXV	33,200	0.75	11.00	13.50		
	ENH4X42*21**	*8MV*0901716**	TDR&TXV	33,200	0.75	11.50	14.00		
	ENH4X42*21**	*8MV*1102120**	TDR&TXV	33,200	0.75	11.50	14.00		
	ENH4X42*21**	*8MV*1352422**	TDR&TXV	33,200	0.75	11.50	14.00		
	ENH4X42*21**	*8MX*0451408**	TDR&TXV	33,200	0.75	11.00	13.00		
	ENH4X42*21**	*8MX*0701716**	TDR&TXV	33,200	0.75	11.00	13.00		
	ENH4X42*21**	*8MX*0902116**	TDR&TXV	33,200	0.75	11.50	14.00		
	ENH4X42*21**	*8MX*1102120**	TDR&TXV	33,600	0.75	11.50	14.00		
	ENH4X42*21**	*8MPV050	TDR&TXV	33,000	0.75	11.00	13.00		
	ENH4X42*21**	*8MPV075	TDR&TXV	33,200	0.75	11.00	13.00		
	ENH4X42*21**	*8MPV100	TDR&TXV	33,800	0.75	11.50	14.00		
	ENH4X42*21**	*8MPV125	TDR&TXV	33,800	0.75	11.50	14.00		
	ENH4X42*21**	MV08B15**B*	TDR&TXV	33,200	0.75	11.50	14.00		
	ENH4X42*21**	MV12F19**B*	TDR&TXV	33,600	0.75	12.00	14.50		
	ENH4X42*21**	MV16J22**B*	TDR&TXV	33,600	0.75	12.00	14.50		
	ENH4X42*21**	MV20L24**B*	TDR&TXV	33,600	0.75	12.00	14.50		
	ENH4X42*21**	NOMV106D12*	TDR&TXV	33,000	0.75	11.00	13.50		
	ENH4X42*21**	NOMV156E19*	TDR&TXV	33,200	0.75	11.50	14.00		
	ENH4X43*21**	†	TXV	34,200	0.75	11.00		13.00	
	ENH4X43*21**	*8MV*0701412**	TDR&TXV	34,000	0.75	11.50	14.00		
	ENH4X43*21**	*8MV*0901716**	TDR&TXV	34,200	0.75	12.00	14.50		
	ENH4X43*21**	*8MV*1102120**	TDR&TXV	34,200	0.75	12.00	14.50		
	ENH4X43*21**	*8MV*1352422**	TDR&TXV	34,200	0.75	12.00	14.50		
	ENH4X43*21**	*8MX*0451408**	TDR&TXV	34,200	0.75	11.00	13.00		
	ENH4X43*21**	*8MX*0701716**	TDR&TXV	34,200	0.75	11.50	14.00		
	ENH4X43*21**	*8MX*0902116**	TDR&TXV	34,200	0.75	12.00	14.50		
	ENH4X43*21**	*8MX*1102120**	TDR&TXV	34,600	0.75	12.00	14.50		
	ENH4X43*21**	*8MPV050	TDR&TXV	34,000	0.75	11.00	13.50		
	ENH4X43*21**	*8MPV075	TDR&TXV	34,400	0.75	11.50	14.00		
	ENH4X43*21**	*8MPV100	TDR&TXV	34,800	0.75	11.50	14.00		
	ENH4X43*21**	*8MPV125	TDR&TXV	34,800	0.75	12.00	14.50		
	ENH4X43*21**	MV08B15**B*	TDR&TXV	34,400	0.75	12.00	14.50		
	ENH4X43*21**	MV12F19**B*	TDR&TXV	34,400	0.75	12.00	14.50		
	ENH4X43*21**	MV16J22**B*	TDR&TXV	34,400	0.75	12.00	14.50		
	ENH4X43*21**	MV20L24**B*	TDR&TXV	34,400	0.75	12.00	14.50		
	ENH4X43*21**	NOMV106D12*	TDR&TXV	33,800	0.75	11.50	14.00		
	ENH4X43*21**	NOMV156E19*	TDR&TXV	34,000	0.75	12.00	14.50		
	FEM4P36**A*+TXV	—	TDR	33,200	0.75	11.00			13.50
	FEM4P42**A*+TXV	—	TDR	34,400	0.75	11.50			14.00
	FEM4P48**A*+TXV	—	TDR	34,400	0.75	11.50			14.00
	FEM4X36****	—	TDR&TXV	34,000	0.75	11.00	13.50		
	FEM4X42****	—	TDR&TXV	34,000	0.75	11.00	13.50		
	FEM4X48****	—	TDR&TXV	34,000	0.75	11.00	13.00		
FS(M,U)4P36**A*+TXV	—	TDR	33,600	0.75	11.00			13.00	
FS(M,U)4P42**A*+TXV	—	TDR	34,000	0.75	11.00			13.50	
FS(M,U)4X48****	—	TDR&TXV	34,000	0.75	11.00	13.00			
FVM4X24****	—	TDR&TXV	33,200	0.75	11.00	13.50			
FVM4X36****	—	TDR&TXV	33,400	0.75	11.50	14.00			
FVM4X48****	—	TDR&TXV	34,000	0.75	12.00	14.50			
FVM4X60****	—	TDR&TXV	34,800	0.75	12.00	14.50			
FXM4X36**A*	—	TDR&TXV	34,400	0.75	11.50	14.00			
FXM4X42**A*	—	TDR&TXV	34,400	0.75	11.50	14.00			
FXM4X48**A*	—	TDR&TXV	35,000	0.75	12.00	14.50			
R4A342AKB R4A342GKB	‡ED*4X42J**	†	TXV	41,500	0.72	11.00		13.00	
	ED*4X42F**	†	TXV	40,000	0.72	11.00	13.10		
	ED*4X42F**	*8MPV075	TDR&TXV	40,000	0.72	11.00	13.50		
	ED*4X42F**	MV12F19**B*	TDR&TXV	40,000	0.72	11.50	14.00		
	ED*4X42J**	*8MPV100	TDR&TXV	40,000	0.72	11.00	13.50		
	ED*4X42J**	*8MPV125	TDR&TXV	40,000	0.72	11.50	14.00		
	ED*4X42J**	*9MPV100	TDR&TXV	40,000	0.72	11.00	13.50		
	ED*4X42J**	*9MVX080	TDR&TXV	40,000	0.72	11.00	13.50		
	ED*4X42J**	MV16J22**B*	TDR&TXV	40,000	0.72	11.50	14.00		
ED*4X42L**	†	TXV	40,000	0.72	11.00		13.00		

2009 ENERGY STAR compliance for combinations with both: SEER 14.50 or higher and EER 12.00 or higher.

† For coils not listed with a matching furnace or blower, coil rating applies with any indoor blower device

- continued on next page -

COOLING PERFORMANCE FOR COMBINATION RATINGS Indoor Models

For complete ratings information, use the AHRI website directory search: www.AHRIdirectory.org.
New ratings may be listed online before Specification Sheets are updated.

Outdoor Model	Indoor Model († tested combo)	Furnace Model	Factory Installed	Cooling 95°F (35°C)			SEER		
				BTU/hr	S/T	EER	factory	w/ field TDR	w/ field TXV
R4A342AKB R4A342GKB (continued)	ED*4X42L**	*9MPV125	TDR&TXV	40,000	0.72	11.00	13.50		
	ED*4X42L**	*9MVX100	TDR&TXV	40,000	0.72	11.00	13.50		
	ED*4X42L**	MV20L24**B*	TDR&TXV	40,000	0.72	11.50	14.00		
	ED*4X48F**	†	TXV	40,000	0.72	11.00		13.00	
	ED*4X48F**	*8MPV075	TDR&TXV	40,000	0.72	11.00	13.50		
	ED*4X48F**	*9MPV075	TDR&TXV	40,000	0.72	11.00	13.50		
	ED*4X48F**	*9MVX060	TDR&TXV	40,000	0.72	11.00	13.50		
	ED*4X48F**	MV12F19**B*	TDR&TXV	40,000	0.72	11.50	14.00		
	ED*4X48J**	†	TXV	40,500	0.72	11.00		13.00	
	ED*4X48J**	*8MPV100	TDR&TXV	40,500	0.72	11.50	14.00		
	ED*4X48J**	*8MPV125	TDR&TXV	40,500	0.72	11.50	14.00		
	ED*4X48J**	*9MPV100	TDR&TXV	40,500	0.72	11.00	13.50		
	ED*4X48J**	*9MVX080	TDR&TXV	40,500	0.72	11.00	13.50		
	ED*4X48J**	MV16J22**B*	TDR&TXV	40,500	0.72	11.50	14.00		
	ED*4X48L**	†	TXV	40,500	0.72	11.00		13.00	
	ED*4X48L**	*9MPV125	TDR&TXV	40,500	0.72	11.50	14.00		
	ED*4X48L**	*9MVX100	TDR&TXV	40,500	0.72	11.50	14.00		
	ED*4X48L**	MV20L24**B*	TDR&TXV	40,500	0.72	11.50	14.00		
	EHD4X42A**	†	TXV	40,000	0.72	11.00		13.00	
	EHD4X42A**	*8MPV075	TDR&TXV	40,000	0.72	11.00	13.50		
	EHD4X42A**	*8MPV100	TDR&TXV	40,000	0.72	11.50	14.00		
	EHD4X42A**	*8MPV125	TDR&TXV	40,000	0.72	11.50	14.00		
	EHD4X42A**	*9MPV075	TDR&TXV	40,000	0.72	11.00	13.50		
	EHD4X42A**	*9MPV100	TDR&TXV	40,000	0.72	11.00	13.50		
	EHD4X42A**	*9MPV125	TDR&TXV	40,000	0.72	11.50	14.00		
	EHD4X42A**	*9MVX060	TDR&TXV	40,000	0.72	11.00	13.50		
	EHD4X42A**	*9MVX080	TDR&TXV	40,000	0.72	11.00	13.50		
	EHD4X42A**	*9MVX100	TDR&TXV	40,000	0.72	11.50	14.00		
	EHD4X42A**	MV12F19**B*	TDR&TXV	40,000	0.72	11.50	14.00		
	EHD4X42A**	MV16J22**B*	TDR&TXV	40,000	0.72	11.50	14.00		
	EHD4X42A**	MV20L24**B*	TDR&TXV	40,000	0.72	11.50	14.00		
	EHD4X42A**	†	TXV	41,000	0.72	11.00		13.00	
	EHD4X42A**	*8MV*0701412**	TDR&TXV	41,000	0.72	11.00	13.00		
	EHD4X42A**	*8MV*0901716**	TDR&TXV	41,000	0.72	11.50	14.00		
	EHD4X42A**	*8MV*1102120**	TDR&TXV	41,000	0.72	11.50	14.00		
	EHD4X42A**	*8MV*1352422**	TDR&TXV	41,000	0.72	12.00	14.50		
	EHD4X42A**	*8MX*0701716**	TDR&TXV	41,000	0.72	11.00	13.00		
	EHD4X42A**	*8MX*0902116**	TDR&TXV	41,000	0.72	11.50	14.00		
	EHD4X42A**	*8MX*1102120**	TDR&TXV	41,000	0.72	12.00	14.50		
	EHD4X42A**	*8MX*1352420**	TDR&TXV	41,000	0.72	11.50	14.00		
	EHD4X42A**	*8MPV075	TDR&TXV	41,000	0.72	11.00	13.00		
	EHD4X42A**	*8MPV100	TDR&TXV	41,000	0.72	11.50	14.00		
EHD4X42A**	*8MPV125	TDR&TXV	41,000	0.72	11.50	14.00			
EHD4X42A**	MV12F19**B*	TDR&TXV	41,000	0.72	12.00	14.50			
EHD4X42A**	MV16J22**B*	TDR&TXV	41,000	0.72	12.00	14.50			
EHD4X42A**	MV20L24**B*	TDR&TXV	41,000	0.72	12.00	14.50			
EHD4X42A**	NOMV156E19*	TDR&TXV	41,000	0.72	11.50	14.00			
EHD4X48A**	†	TXV	40,500	0.72	11.00		13.00		
EHD4X48A**	*8MPV075	TDR&TXV	40,500	0.72	11.00	13.50			
EHD4X48A**	*8MPV100	TDR&TXV	40,500	0.72	11.50	14.00			
EHD4X48A**	*8MPV125	TDR&TXV	40,500	0.72	11.50	14.00			
EHD4X48A**	*9MPV075	TDR&TXV	40,500	0.72	11.00	13.50			
EHD4X48A**	*9MPV100	TDR&TXV	40,500	0.72	11.50	14.00			
EHD4X48A**	*9MPV125	TDR&TXV	40,500	0.72	11.50	14.00			
EHD4X48A**	*9MVX060	TDR&TXV	40,500	0.72	11.00	13.50			
EHD4X48A**	*9MVX080	TDR&TXV	40,500	0.72	11.50	14.00			
EHD4X48A**	*9MVX100	TDR&TXV	40,500	0.72	11.50	14.00			
EHD4X48A**	MV12F19**B*	TDR&TXV	40,500	0.72	11.50	14.00			
EHD4X48A**	MV16J22**B*	TDR&TXV	40,500	0.72	11.50	14.00			
EHD4X48A**	MV20L24**B*	TDR&TXV	40,500	0.72	11.50	14.00			
EHD4X48A**	†	TXV	41,000	0.72	11.00		13.00		
EHD4X48A**	*8MV*0701412**	TDR&TXV	41,000	0.72	11.00	13.00			
EHD4X48A**	*8MV*0901716**	TDR&TXV	41,000	0.72	11.50	14.00			
EHD4X48A**	*8MV*1102120**	TDR&TXV	41,000	0.72	11.50	14.00			
EHD4X48A**	*8MV*1352422**	TDR&TXV	41,000	0.72	12.00	14.50			

2009 ENERGY STAR compliance for combinations with both: SEER 14.50 or higher and EER 12.00 or higher.

† For coils not listed with a matching furnace or blower, coil rating applies with any indoor blower device

- continued on next page -

COOLING PERFORMANCE FOR COMBINATION RATINGS Indoor Models

For complete ratings information, use the AHRI website directory search: www.AHRIdirectory.org.
New ratings may be listed online before Specification Sheets are updated.

Outdoor Model	Indoor Model († tested combo)	Furnace Model	Factory Installed	Cooling 95°F (35°C)			SEER		
				BTU/hr	S/T	EER	factory	w/ field TDR	w/ field TXV
R4A342AKB R4A342GKB (continued)	EHD4X48A**	*8MX*0701716**	TDR&TXV	41,000	0.72	11.00	13.00		
	EHD4X48A**	*8MX*0902116**	TDR&TXV	41,000	0.72	12.00	14.50		
	EHD4X48A**	*8MX*1102120**	TDR&TXV	41,000	0.72	12.00	14.50		
	EHD4X48A**	*8MX*1352420**	TDR&TXV	41,000	0.72	12.00	14.50		
	EHD4X48A**	*8MPV075	TDR&TXV	41,000	0.72	11.00	13.00		
	EHD4X48A**	*8MPV100	TDR&TXV	41,000	0.72	11.50	14.00		
	EHD4X48A**	*8MPV125	TDR&TXV	41,000	0.72	12.00	14.50		
	EHD4X48A**	MV12F19**B*	TDR&TXV	41,000	0.72	12.00	14.50		
	EHD4X48A**	MV16J22**B*	TDR&TXV	41,000	0.72	12.00	14.50		
	EHD4X48A**	MV20L24**B*	TDR&TXV	41,000	0.72	12.00	14.50		
	EHD4X48A**	NOMV156E19*	TDR&TXV	41,000	0.72	11.50	14.00		
	EMA4X48D**	†	TXV	40,500	0.72	11.00		13.00	
	EMA4X48D**	†	TXV	41,000	0.72	11.00		13.00	
	EN(A,D)4X43*24**	†	TXV	41,000	0.72	11.00		13.00	
	EN(A,D)4X43*24**	*8MV*1102120**	TDR&TXV	41,000	0.72	12.00	14.50		
	EN(A,D)4X43*24**	*8MV*1352422**	TDR&TXV	41,000	0.72	12.00	14.50		
	EN(A,D)4X43*24**	*8MX*0902116**	TDR&TXV	41,000	0.72	12.00	14.50		
	EN(A,D)4X43*24**	*8MX*1102120**	TDR&TXV	41,000	0.72	12.00	14.50		
	EN(A,D)4X43*24**	*8MX*1352420**	TDR&TXV	41,000	0.72	12.00	14.50		
	EN(A,D)4X43*24**	*8MPV100	TDR&TXV	41,000	0.72	12.00	14.50		
	EN(A,D)4X43*24**	*8MPV125	TDR&TXV	41,000	0.72	12.00	14.50		
	EN(A,D)4X43*24**	MV16J22**B*	TDR&TXV	41,000	0.72	12.00	14.50		
	EN(A,D)4X43*24**	MV20L24**B*	TDR&TXV	41,000	0.72	12.00	14.50		
	EN(A,D)4X43*24**	NOMV156E19*	TDR&TXV	41,000	0.72	12.00	14.50		
	EN(A,D)4X48*24**	†	TXV	41,000	0.72	11.00		13.00	
	EN(A,D)4X48*24**	*8MV*1102120**	TDR&TXV	41,000	0.72	11.50	14.00		
	EN(A,D)4X48*24**	*8MV*1352422**	TDR&TXV	41,000	0.72	12.00	14.50		
	EN(A,D)4X48*24**	*8MX*0902116**	TDR&TXV	41,000	0.72	11.50	14.00		
	EN(A,D)4X48*24**	*8MX*1102120**	TDR&TXV	41,000	0.72	12.00	14.50		
	EN(A,D)4X48*24**	*8MX*1352420**	TDR&TXV	41,000	0.72	12.00	14.50		
	EN(A,D)4X48*24**	*8MPV100	TDR&TXV	41,000	0.72	11.50	14.00		
	EN(A,D)4X48*24**	*8MPV125	TDR&TXV	41,000	0.72	12.00	14.50		
	EN(A,D)4X48*24**	MV16J22**B*	TDR&TXV	41,000	0.72	12.00	14.50		
	EN(A,D)4X48*24**	MV20L24**B*	TDR&TXV	41,000	0.72	12.00	14.50		
	EN(A,D)4X48*24**	NOMV156E19*	TDR&TXV	41,000	0.72	11.50	14.00		
	EN(A,D,W)4X42*21**	†	TXV	41,000	0.72	11.00		13.00	
	EN(A,D,W)4X42*21**	*8MV*0901716**	TDR&TXV	41,000	0.72	11.00	13.00		
	EN(A,D,W)4X42*21**	*8MV*1102120**	TDR&TXV	41,000	0.72	11.00	13.00		
	EN(A,D,W)4X42*21**	*8MX*0701716**	TDR&TXV	40,000	0.72	11.00	13.00		
	EN(A,D,W)4X42*21**	*8MX*0902116**	TDR&TXV	41,000	0.72	11.50	14.00		
	EN(A,D,W)4X42*21**	*8MX*1102120**	TDR&TXV	41,000	0.72	11.50	14.00		
	EN(A,D,W)4X42*21**	*8MPV075	TDR&TXV	41,000	0.72	11.00	13.00		
	EN(A,D,W)4X42*21**	MV12F19**B*	TDR&TXV	41,000	0.72	11.50	14.00		
	EN(A,D,W)4X42*21**	NOMV156E19*	TDR&TXV	40,000	0.72	11.00	13.00		
	EN(A,D,W)4X48*21**	†	TXV	41,000	0.72	11.00		13.00	
	EN(A,D,W)4X48*21**	*8MV*0901716**	TDR&TXV	41,000	0.72	11.50	14.00		
	EN(A,D,W)4X48*21**	*8MV*1102120**	TDR&TXV	41,000	0.72	11.50	14.00		
	EN(A,D,W)4X48*21**	*8MX*0701716**	TDR&TXV	41,000	0.72	11.00	13.00		
	EN(A,D,W)4X48*21**	*8MX*0902116**	TDR&TXV	41,000	0.72	11.50	14.00		
	EN(A,D,W)4X48*21**	*8MX*1102120**	TDR&TXV	41,000	0.72	12.00	14.50		
EN(A,D,W)4X48*21**	*8MPV075	TDR&TXV	41,000	0.72	11.00	13.00			
EN(A,D,W)4X48*21**	MV12F19**B*	TDR&TXV	41,000	0.72	12.00	14.50			
EN(A,D,W)4X48*21**	NOMV156E19*	TDR&TXV	41,000	0.72	11.50	14.00			
END4X42*17**	†	TXV	41,000	0.72	11.00		13.00		
END4X42*17**	*8MV*0701412**	TDR&TXV	41,000	0.72	11.00	13.00			
END4X42*17**	*8MV*0901716**	TDR&TXV	41,000	0.72	11.50	14.00			
END4X42*17**	*8MX*0701716**	TDR&TXV	41,000	0.72	11.00	13.00			
ENH4X42*21**	†	TXV	41,000	0.72	11.00		13.00		
ENH4X42*21**	*8MV*0701412**	TDR&TXV	40,000	0.72	11.00	13.00			
ENH4X42*21**	*8MV*0901716**	TDR&TXV	41,000	0.72	11.00	13.00			
ENH4X42*21**	*8MV*1102120**	TDR&TXV	41,000	0.72	11.00	13.00			
ENH4X42*21**	*8MV*1352422**	TDR&TXV	41,000	0.72	11.50	14.00			
ENH4X42*21**	*8MX*0701716**	TDR&TXV	40,000	0.72	11.00	13.00			
ENH4X42*21**	*8MX*0902116**	TDR&TXV	41,000	0.72	11.50	14.00			
ENH4X42*21**	*8MX*1102120**	TDR&TXV	41,000	0.72	11.50	14.00			

2009 ENERGY STAR compliance for combinations with both: SEER 14.50 or higher and EER 12.00 or higher.

† For coils not listed with a matching furnace or blower, coil rating applies with any indoor blower device

- continued on next page -

COOLING PERFORMANCE FOR COMBINATION RATINGS Indoor Models

For complete ratings information, use the AHRI website directory search: www.AHRIdirectory.org.

New ratings may be listed online before Specification Sheets are updated.

Outdoor Model	Indoor Model († tested combo)	Furnace Model	Factory Installed	Cooling 95°F (35°C)			SEER		
				BTU/hr	S/T	EER	factory	w/ field TDR	w/ field TXV
R4A342AKB R4A342GKB (continued)	ENH4X42*21**	*8MX*1352420**	TDR&TXV	41,000	0.72	11.50	14.00		
	ENH4X42*21**	*8MPV075	TDR&TXV	41,000	0.72	11.00	13.00		
	ENH4X42*21**	*8MPV100	TDR&TXV	41,000	0.72	11.00	13.00		
	ENH4X42*21**	*8MPV125	TDR&TXV	41,000	0.72	11.50	14.00		
	ENH4X42*21**	MV12F19**B*	TDR&TXV	41,000	0.72	11.50	14.00		
	ENH4X42*21**	MV16J22**B*	TDR&TXV	41,000	0.72	12.00	14.50		
	ENH4X42*21**	MV20L24**B*	TDR&TXV	41,000	0.72	12.00	14.50		
	ENH4X42*21**	NOMV156E19*	TDR&TXV	40,000	0.72	11.00	13.00		
	ENH4X43*21**	†	TXV	41,000	0.72	11.00		13.00	
	ENH4X43*21**	*8MV*0701412**	TDR&TXV	41,000	0.72	11.50	14.00		
	ENH4X43*21**	*8MV*0901716**	TDR&TXV	41,000	0.72	12.00	14.50		
	ENH4X43*21**	*8MV*1102120**	TDR&TXV	41,000	0.72	12.00	14.50		
	ENH4X43*21**	*8MV*1352422**	TDR&TXV	41,000	0.72	12.00	14.50		
	ENH4X43*21**	*8MX*0701716**	TDR&TXV	41,000	0.72	11.00	13.00		
	ENH4X43*21**	*8MX*0902116**	TDR&TXV	41,000	0.72	12.00	14.50		
	ENH4X43*21**	*8MX*1102120**	TDR&TXV	41,000	0.72	12.00	14.50		
	ENH4X43*21**	*8MX*1352420**	TDR&TXV	41,000	0.72	12.00	14.50		
	ENH4X43*21**	*8MPV075	TDR&TXV	41,000	0.72	11.50	14.00		
	ENH4X43*21**	*8MPV100	TDR&TXV	41,000	0.72	12.00	14.50		
	ENH4X43*21**	*8MPV125	TDR&TXV	41,000	0.72	12.00	14.50		
	ENH4X43*21**	MV12F19**B*	TDR&TXV	41,000	0.72	12.00	14.50		
	ENH4X43*21**	MV16J22**B*	TDR&TXV	41,000	0.72	12.00	14.50		
	ENH4X43*21**	MV20L24**B*	TDR&TXV	41,000	0.72	12.00	14.50		
	ENH4X43*21**	NOMV156E19*	TDR&TXV	41,000	0.72	12.00	14.50		
	ENH4X48*21**	†	TXV	41,000	0.72	11.00		13.00	
	ENH4X48*21**	*8MV*0701412**	TDR&TXV	41,000	0.72	11.00	13.00		
	ENH4X48*21**	*8MV*0901716**	TDR&TXV	41,000	0.72	11.50	14.00		
	ENH4X48*21**	*8MV*1102120**	TDR&TXV	41,000	0.72	11.50	14.00		
	ENH4X48*21**	*8MV*1352422**	TDR&TXV	41,000	0.72	12.00	14.50		
	ENH4X48*21**	*8MX*0701716**	TDR&TXV	41,000	0.72	11.00	13.00		
	ENH4X48*21**	*8MX*0902116**	TDR&TXV	41,000	0.72	11.50	14.00		
	ENH4X48*21**	*8MX*1102120**	TDR&TXV	41,000	0.72	12.00	14.50		
	ENH4X48*21**	*8MX*1352420**	TDR&TXV	41,000	0.72	12.00	14.50		
	ENH4X48*21**	*8MPV075	TDR&TXV	41,000	0.72	11.00	13.50		
	ENH4X48*21**	*8MPV100	TDR&TXV	41,000	0.72	11.50	14.00		
	ENH4X48*21**	*8MPV125	TDR&TXV	41,000	0.72	12.00	14.50		
	ENH4X48*21**	MV12F19**B*	TDR&TXV	41,000	0.72	12.00	14.50		
	ENH4X48*21**	MV16J22**B*	TDR&TXV	41,000	0.72	12.00	14.50		
	ENH4X48*21**	MV20L24**B*	TDR&TXV	41,000	0.72	12.00	14.50		
	ENH4X48*21**	NOMV156E19*	TDR&TXV	41,000	0.72	11.50	14.00		
	FEM4P42**A*+TXV	—	TDR	41,500	0.72	11.00			13.50
	FEM4P48**A*+TXV	—	TDR	41,500	0.72	11.50			14.00
FEM4P60**A*+TXV	—	TDR	42,000	0.72	12.00			14.50	
FEM4X42****	—	TDR&TXV	40,000	0.72	11.00	13.50			
FEM4X48****	—	TDR&TXV	40,500	0.72	11.50	14.00			
FS(M,U)4P42**A*+TXV	—	TDR	41,500	0.72	11.00			13.50	
FS(M,U)4P48**A*+TXV	—	TDR	42,000	0.72	11.00			13.50	
FS(M,U)4X42****	—	TDR&TXV	40,000	0.72	11.00	13.00			
FS(M,U)4X48****	—	TDR&TXV	40,500	0.72	11.00	13.00			
FVM4X36****	—	TDR&TXV	40,000	0.72	11.50	14.00			
FVM4X48****	—	TDR&TXV	41,000	0.72	12.00	14.50			
FVM4X60****	—	TDR&TXV	41,500	0.72	12.00	14.50			
FXM4X42**A*	—	TDR&TXV	41,500	0.72	11.50	14.00			
FXM4X48**A*	—	TDR&TXV	42,000	0.72	12.00	14.50			
FXM4X60**A*	—	TDR&TXV	42,500	0.72	12.00	14.50			
R4A348AKB R4A348GKB	†ED*4X48J**	†	TXV	46,000	0.75	11.00		13.00	
	ED*4X48F**	†	TXV	45,000	0.75	11.00		13.00	
	ED*4X48J**	*8MPV100	TDR&TXV	45,000	0.75	11.00	13.50		
	ED*4X48J**	*8MPV125	TDR&TXV	45,000	0.75	11.00	13.50		
	ED*4X48J**	MV16J22**B*	TDR&TXV	45,000	0.75	11.50	14.00		
	ED*4X48L**	†	TXV	46,000	0.75	11.00		13.00	
	ED*4X48L**	*9MPV125	TDR&TXV	45,500	0.75	11.00	13.50		
	ED*4X48L**	*9MVX100	TDR&TXV	45,500	0.75	11.00	13.50		
	ED*4X48L**	MV20L24**B*	TDR&TXV	45,500	0.75	11.50	14.00		
ED*4X60J**	†	TXV	46,000	0.75	11.00		13.00		

2009 ENERGY STAR compliance for combinations with both: SEER 14.50 or higher and EER 12.00 or higher.

† For coils not listed with a matching furnace or blower, coil rating applies with any indoor blower device

- continued on next page -

COOLING PERFORMANCE FOR COMBINATION RATINGS Indoor Models

For complete ratings information, use the AHRI website directory search: www.AHRIdirectory.org.
New ratings may be listed online before Specification Sheets are updated.

Outdoor Model	Indoor Model († tested combo)	Furnace Model	Factory Installed	Cooling 95°F (35°C)			SEER		
				BTU/hr	S/T	EER	factory	w/ field TDR	w/ field TXV
R4A348AKB R4A348GKB (continued)	ED*4X60J**	*8MPV100	TDR&TXV	46,000	0.75	11.00	13.50		
	ED*4X60J**	*8MPV125	TDR&TXV	46,000	0.75	11.50	14.00		
	ED*4X60J**	*9MPV100	TDR&TXV	46,000	0.75	11.00	13.50		
	ED*4X60J**	*9MVX080	TDR&TXV	46,000	0.75	11.00	13.50		
	ED*4X60J**	MV16J22**B*	TDR&TXV	46,000	0.75	11.50	14.00		
	ED*4X60L**	†	TXV	46,000	0.75	11.00		13.00	
	ED*4X60L**	*9MPV125	TDR&TXV	46,000	0.75	11.00	13.50		
	ED*4X60L**	*9MVX100	TDR&TXV	46,000	0.75	11.00	13.50		
	ED*4X60L**	MV20L24**B*	TDR&TXV	46,000	0.75	11.50	14.00		
	EHD4X48A**	†	TXV	46,000	0.75	11.00		13.00	
	EHD4X48A**	*8MPV100	TDR&TXV	46,000	0.75	11.00	13.50		
	EHD4X48A**	*8MPV125	TDR&TXV	46,000	0.75	11.00	13.50		
	EHD4X48A**	*9MPV100	TDR&TXV	45,500	0.75	11.00	13.50		
	EHD4X48A**	*9MPV125	TDR&TXV	45,500	0.75	11.00	13.50		
	EHD4X48A**	*9MVX080	TDR&TXV	46,000	0.75	11.00	13.50		
	EHD4X48A**	*9MVX100	TDR&TXV	45,500	0.75	11.00	13.50		
	EHD4X48A**	MV16J22**B*	TDR&TXV	46,000	0.75	11.50	14.00		
	EHD4X48A**	MV20L24**B*	TDR&TXV	46,000	0.75	11.50	14.00		
	EHD4X48A**	†	TXV	46,000	0.75	11.00		13.00	
	EHD4X48A**	*8MV*0901716**	TDR&TXV	45,500	0.75	11.00	13.50		
	EHD4X48A**	*8MV*1102120**	TDR&TXV	45,500	0.75	11.00	13.50		
	EHD4X48A**	*8MV*1352422**	TDR&TXV	45,500	0.75	11.50	14.00		
	EHD4X48A**	*8MX*0902116**	TDR&TXV	45,500	0.75	11.00	13.50		
	EHD4X48A**	*8MX*1102120**	TDR&TXV	45,500	0.75	11.50	14.00		
	EHD4X48A**	*8MX*1352420**	TDR&TXV	45,500	0.75	11.00	13.50		
	EHD4X48A**	*8MPV100	TDR&TXV	46,000	0.75	11.00	13.50		
	EHD4X48A**	*8MPV125	TDR&TXV	46,000	0.75	11.00	13.50		
	EHD4X48A**	MV16J22**B*	TDR&TXV	46,000	0.75	12.00	14.50		
	EHD4X48A**	MV20L24**B*	TDR&TXV	46,000	0.75	12.00	14.50		
	EHD4X48A**	NOMV156E19*	TDR&TXV	45,500	0.75	11.00	13.50		
	EHD4X60A**	†	TXV	46,500	0.75	11.00		13.00	
	EHD4X60A**	*8MPV100	TDR&TXV	46,500	0.75	11.00	13.50		
	EHD4X60A**	*8MPV125	TDR&TXV	46,500	0.75	11.50	14.00		
	EHD4X60A**	*9MPV100	TDR&TXV	46,500	0.75	11.00	13.50		
	EHD4X60A**	*9MPV125	TDR&TXV	46,500	0.75	11.00	13.50		
	EHD4X60A**	*9MVX080	TDR&TXV	46,500	0.75	11.00	13.50		
	EHD4X60A**	*9MVX100	TDR&TXV	46,500	0.75	11.00	13.50		
	EHD4X60A**	MV16J22**B*	TDR&TXV	46,500	0.75	11.50	14.00		
	EHD4X60A**	MV20L24**B*	TDR&TXV	46,500	0.75	11.50	14.00		
	EHD4X60A**	†	TXV	46,000	0.75	11.00		13.00	
	EHD4X60A**	*8MV*0901716**	TDR&TXV	45,500	0.75	11.50	14.00		
	EHD4X60A**	*8MV*1102120**	TDR&TXV	46,000	0.75	11.50	14.00		
	EHD4X60A**	*8MV*1352422**	TDR&TXV	46,000	0.75	12.00	14.50		
	EHD4X60A**	*8MX*0902116**	TDR&TXV	46,000	0.75	11.50	14.00		
	EHD4X60A**	*8MX*1102120**	TDR&TXV	46,000	0.75	12.00	14.50		
	EHD4X60A**	*8MX*1352420**	TDR&TXV	46,000	0.75	11.50	14.00		
	EHD4X60A**	*8MPV100	TDR&TXV	46,000	0.75	11.50	14.00		
	EHD4X60A**	*8MPV125	TDR&TXV	46,000	0.75	11.50	14.00		
EHD4X60A**	MV16J22**B*	TDR&TXV	46,000	0.75	12.00	14.50			
EHD4X60A**	MV20L24**B*	TDR&TXV	46,000	0.75	12.00	14.50			
EHD4X60A**	NOMV156E19*	TDR&TXV	46,000	0.75	11.50	14.00			
EMA4X48D**	†	TXV	45,000	0.75	11.00		13.00		
EMA4X48D**	†	TXV	44,500	0.75	11.00		13.00		
EN(A,D)4X48*24**	†	TXV	45,500	0.75	11.00		13.00		
EN(A,D)4X48*24**	*8MV*1102120**	TDR&TXV	45,000	0.75	11.00	13.50			
EN(A,D)4X48*24**	*8MV*1352422**	TDR&TXV	45,000	0.75	11.50	14.00			
EN(A,D)4X48*24**	*8MX*0902116**	TDR&TXV	45,500	0.75	11.00	13.50			
EN(A,D)4X48*24**	*8MX*1102120**	TDR&TXV	45,500	0.75	11.50	14.00			
EN(A,D)4X48*24**	*8MX*1352420**	TDR&TXV	45,500	0.75	11.00	13.50			
EN(A,D)4X48*24**	*8MPV100	TDR&TXV	45,500	0.75	11.00	13.50			
EN(A,D)4X48*24**	*8MPV125	TDR&TXV	45,500	0.75	11.00	13.50			
EN(A,D)4X48*24**	MV16J22**B*	TDR&TXV	45,500	0.75	12.00	14.50			
EN(A,D)4X48*24**	MV20L24**B*	TDR&TXV	45,500	0.75	12.00	14.50			
EN(A,D)4X48*24**	NOMV156E19*	TDR&TXV	45,000	0.75	11.00	13.50			
EN(A,D)4X61*24**	†	TXV	46,000	0.75	11.00		13.00		

2009 ENERGY STAR compliance for combinations with both: SEER 14.50 or higher and EER 12.00 or higher.

† For coils not listed with a matching furnace or blower, coil rating applies with any indoor blower device

- continued on next page -

COOLING PERFORMANCE FOR COMBINATION RATINGS Indoor Models

For complete ratings information, use the AHRI website directory search: www.AHRIdirectory.org.
New ratings may be listed online before Specification Sheets are updated.

Outdoor Model	Indoor Model († tested combo)	Furnace Model	Factory Installed	Cooling 95°F (35°C)			SEER		
				BTU/hr	S/T	EER	factory	w/ field TDR	w/ field TXV
R4A348AKB R4A348GKB (continued)	EN(A,D)4X61*24**	*8MV*1102120**	TDR&TXV	46,000	0.75	11.50	14.00		
	EN(A,D)4X61*24**	*8MV*1352422**	TDR&TXV	46,000	0.75	12.00	14.50		
	EN(A,D)4X61*24**	*8MX*0902116**	TDR&TXV	46,000	0.75	11.50	14.00		
	EN(A,D)4X61*24**	*8MX*1102120**	TDR&TXV	46,000	0.75	12.00	14.50		
	EN(A,D)4X61*24**	*8MX*1352420**	TDR&TXV	46,000	0.75	11.50	14.00		
	EN(A,D)4X61*24**	*8MPV100	TDR&TXV	46,000	0.75	11.50	14.00		
	EN(A,D)4X61*24**	*8MPV125	TDR&TXV	46,000	0.75	11.50	14.00		
	EN(A,D)4X61*24**	MV16J22**B*	TDR&TXV	46,000	0.75	12.00	14.50		
	EN(A,D)4X61*24**	MV20L24**B*	TDR&TXV	46,000	0.75	12.00	14.50		
	EN(A,D)4X61*24**	NOMV156E19*	TDR&TXV	46,000	0.75	11.50	14.00		
	EN(A,D,W)4X48*21**	†	TXV	45,500	0.75	11.00		13.00	
	EN(A,D,W)4X48*21**	*8MV*0901716**	TDR&TXV	45,000	0.75	11.00	13.00		
	EN(A,D,W)4X48*21**	*8MV*1102120**	TDR&TXV	45,000	0.75	11.00	13.50		
	EN(A,D,W)4X48*21**	*8MX*0902116**	TDR&TXV	45,500	0.75	11.00	13.50		
	EN(A,D,W)4X48*21**	*8MX*1102120**	TDR&TXV	45,500	0.75	11.50	14.00		
	EN(A,D,W)4X48*21**	NOMV156E19*	TDR&TXV	45,000	0.75	11.00	13.00		
	EN(A,D,W)4X60*24**	†	TXV	46,000	0.75	11.00		13.00	
	EN(A,D,W)4X60*24**	*8MV*1102120**	TDR&TXV	46,000	0.75	11.50	14.00		
	EN(A,D,W)4X60*24**	*8MV*1352422**	TDR&TXV	46,000	0.75	11.50	14.00		
	EN(A,D,W)4X60*24**	*8MX*0902116**	TDR&TXV	46,000	0.75	11.50	14.00		
	EN(A,D,W)4X60*24**	*8MX*1102120**	TDR&TXV	46,000	0.75	11.50	14.00		
	EN(A,D,W)4X60*24**	*8MX*1352420**	TDR&TXV	46,000	0.75	11.50	14.00		
	EN(A,D,W)4X60*24**	*8MPV100	TDR&TXV	46,000	0.75	11.50	14.00		
	EN(A,D,W)4X60*24**	*8MPV125	TDR&TXV	46,000	0.75	11.50	14.00		
	EN(A,D,W)4X60*24**	MV16J22**B*	TDR&TXV	46,000	0.75	12.00	14.50		
	EN(A,D,W)4X60*24**	MV20L24**B*	TDR&TXV	46,000	0.75	12.00	14.50		
	EN(A,D,W)4X60*24**	NOMV156E19*	TDR&TXV	46,000	0.75	11.50	14.00		
	ENH4X48*21**	†	TXV	45,500	0.75	11.00		13.00	
	ENH4X48*21**	*8MV*0901716**	TDR&TXV	45,000	0.75	11.00	13.50		
	ENH4X48*21**	*8MV*1102120**	TDR&TXV	45,000	0.75	11.00	13.50		
	ENH4X48*21**	*8MV*1352422**	TDR&TXV	45,000	0.75	11.50	14.00		
	ENH4X48*21**	*8MX*0902116**	TDR&TXV	45,500	0.75	11.00	13.50		
	ENH4X48*21**	*8MX*1102120**	TDR&TXV	45,500	0.75	11.50	14.00		
	ENH4X48*21**	*8MX*1352420**	TDR&TXV	45,500	0.75	11.50	14.00		
	ENH4X48*21**	*8MPV100	TDR&TXV	45,500	0.75	11.00	13.00		
	ENH4X48*21**	*8MPV125	TDR&TXV	45,500	0.75	11.00	13.50		
	ENH4X48*21**	MV16J22**B*	TDR&TXV	45,500	0.75	12.00	14.50		
	ENH4X48*21**	MV20L24**B*	TDR&TXV	45,500	0.75	12.00	14.50		
	ENH4X48*21**	NOMV156E19*	TDR&TXV	45,000	0.75	11.00	13.50		
	ENH4X60*24**	†	TXV	46,000	0.75	11.00		13.00	
	ENH4X60*24**	*8MV*0901716**	TDR&TXV	46,000	0.75	11.50	14.00		
	ENH4X60*24**	*8MV*1102120**	TDR&TXV	46,000	0.75	11.50	14.00		
	ENH4X60*24**	*8MV*1352422**	TDR&TXV	46,000	0.75	11.50	14.00		
	ENH4X60*24**	*8MX*0902116**	TDR&TXV	46,000	0.75	11.50	14.00		
	ENH4X60*24**	*8MX*1102120**	TDR&TXV	46,000	0.75	11.50	14.00		
ENH4X60*24**	*8MX*1352420**	TDR&TXV	46,000	0.75	11.50	14.00			
ENH4X60*24**	*8MPV100	TDR&TXV	46,000	0.75	11.50	14.00			
ENH4X60*24**	*8MPV125	TDR&TXV	46,000	0.75	11.50	14.00			
ENH4X60*24**	MV16J22**B*	TDR&TXV	46,000	0.75	12.00	14.50			
ENH4X60*24**	MV20L24**B*	TDR&TXV	46,000	0.75	12.00	14.50			
ENH4X60*24**	NOMV156E19*	TDR&TXV	46,000	0.75	11.50	14.00			
ENH4X61*24**	†	TXV	46,000	0.75	11.00		13.00		
ENH4X61*24**	*8MV*0901716**	TDR&TXV	46,000	0.75	11.50	14.00			
ENH4X61*24**	*8MV*1102120**	TDR&TXV	46,000	0.75	11.50	14.00			
ENH4X61*24**	*8MV*1352422**	TDR&TXV	46,000	0.75	11.50	14.00			
ENH4X61*24**	*8MX*0902116**	TDR&TXV	46,000	0.75	11.50	14.00			
ENH4X61*24**	*8MX*1102120**	TDR&TXV	46,000	0.75	11.50	14.00			
ENH4X61*24**	*8MX*1352420**	TDR&TXV	46,000	0.75	11.50	14.00			
ENH4X61*24**	*8MPV100	TDR&TXV	46,000	0.75	11.50	14.00			
ENH4X61*24**	*8MPV125	TDR&TXV	46,000	0.75	11.50	14.00			
ENH4X61*24**	MV16J22**B*	TDR&TXV	46,000	0.75	12.00	14.50			
ENH4X61*24**	MV20L24**B*	TDR&TXV	46,000	0.75	12.00	14.50			
ENH4X61*24**	NOMV156E19*	TDR&TXV	46,000	0.75	11.50	14.00			
FEM4P48**A*+TXV	—	TDR	45,500	0.75	11.00			13.50	
FEM4P60**A*+TXV	—	TDR	46,000	0.75	11.00			13.50	

2009 ENERGY STAR compliance for combinations with both: SEER 14.50 or higher and EER 12.00 or higher.

† For coils not listed with a matching furnace or blower, coil rating applies with any indoor blower device

- continued on next page -

COOLING PERFORMANCE FOR COMBINATION RATINGS Indoor Models

For complete ratings information, use the AHRI website directory search: www.AHRIdirectory.org.
New ratings may be listed online before Specification Sheets are updated.

Outdoor Model	Indoor Model (‡ tested combo)	Furnace Model	Factory Installed	Cooling 95°F (35°C)			SEER		
				BTU/hr	S/T	EER	factory	w/ field TDR	w/ field TXV
R4A348AKB R4A348GKB (continued)	FEM4X48****	—	TDR&TXV	46,000	0.75	11.00	13.50		
	FEM4X60****	—	TDR&TXV	46,500	0.75	11.50	14.00		
	FS(M,U)4P48**A*+TXV	—	TDR	46,000	0.75	11.00			13.50
	FS(M,U)4X48****	—	TDR&TXV	46,000	0.75	11.00	13.00		
	FS(M,U)4X60****	—	TDR&TXV	46,500	0.75	11.00	13.00		
	FVM4X48****	—	TDR&TXV	46,000	0.75	11.50	14.00		
	FVM4X60****	—	TDR&TXV	46,500	0.75	12.00	14.50		
	FXM4X48**A*	—	TDR&TXV	46,500	0.75	11.50	14.00		
FXM4X60**A*	—	TDR&TXV	47,000	0.75	12.00	14.50			
R4A360AKB R4A360GKB	‡ED*4X60L**	†	TXV	57,000	0.75	11.00		13.00	
	ED*4X60J**	†	TXV	56,500	0.75	11.00		13.00	
	ED*4X60J**	MV16J22**B*	TDR&TXV	56,500	0.75	11.00	13.50		
	ED*4X60L**	MV20L24**B*	TDR&TXV	56,500	0.75	11.00	13.50		
	EHD4X60A**	†	TXV	57,000	0.75	11.00		13.00	
	EHD4X60A**	MV16J22**B*	TDR&TXV	57,000	0.75	11.00	13.50		
	EHD4X60A**	MV20L24**B*	TDR&TXV	57,000	0.75	11.00	13.50		
	EHD4X60A**	†	TXV	57,000	0.75	11.00		13.00	
	EHD4X60A**	*8MV*1102120**	TDR&TXV	57,000	0.75	11.00	13.00		
	EHD4X60A**	*8MV*1352422**	TDR&TXV	57,000	0.75	11.00	13.50		
	EHD4X60A**	*8MX*1102120**	TDR&TXV	57,000	0.75	11.00	13.50		
	EHD4X60A**	*8MX*1352420**	TDR&TXV	57,000	0.75	11.00	13.00		
	EHD4X60A**	*8MPV125	TDR&TXV	57,000	0.75	11.00	13.00		
	EHD4X60A**	MV16J22**B*	TDR&TXV	57,000	0.75	11.00	13.50		
	EHD4X60A**	MV20L24**B*	TDR&TXV	57,000	0.75	11.00	13.50		
	EN(A,D)4X61*24**	†	TXV	57,000	0.75	11.00		13.00	
	EN(A,D)4X61*24**	*8MV*1102120**	TDR&TXV	57,000	0.75	11.00	13.00		
	EN(A,D)4X61*24**	*8MV*1352422**	TDR&TXV	57,000	0.75	11.00	13.50		
	EN(A,D)4X61*24**	*8MX*1102120**	TDR&TXV	57,000	0.75	11.00	13.50		
	EN(A,D)4X61*24**	*8MX*1352420**	TDR&TXV	57,000	0.75	11.00	13.50		
	EN(A,D)4X61*24**	*8MPV125	TDR&TXV	57,000	0.75	11.00	13.00		
	EN(A,D)4X61*24**	MV16J22**B*	TDR&TXV	57,000	0.75	11.00	13.50		
	EN(A,D)4X61*24**	MV20L24**B*	TDR&TXV	57,000	0.75	11.00	13.50		
	EN(A,D,W)4X60*24**	†	TXV	57,000	0.75	11.00		13.00	
	EN(A,D,W)4X60*24**	*8MV*1102120**	TDR&TXV	57,000	0.75	11.00	13.00		
	EN(A,D,W)4X60*24**	*8MV*1352422**	TDR&TXV	57,000	0.75	11.00	13.00		
	EN(A,D,W)4X60*24**	*8MX*1102120**	TDR&TXV	57,000	0.75	11.00	13.00		
	EN(A,D,W)4X60*24**	*8MX*1352420**	TDR&TXV	57,000	0.75	11.00	13.00		
	EN(A,D,W)4X60*24**	*8MPV125	TDR&TXV	57,000	0.75	11.00	13.00		
	EN(A,D,W)4X60*24**	MV16J22**B*	TDR&TXV	57,000	0.75	11.00	13.50		
	EN(A,D,W)4X60*24**	MV20L24**B*	TDR&TXV	57,000	0.75	11.00	13.50		
	ENH4X60*24**	†	TXV	57,000	0.75	11.00		13.00	
	ENH4X60*24**	*8MV*1102120**	TDR&TXV	57,000	0.75	11.00	13.00		
	ENH4X60*24**	*8MV*1352422**	TDR&TXV	57,000	0.75	11.00	13.00		
	ENH4X60*24**	*8MX*1102120**	TDR&TXV	57,000	0.75	11.00	13.00		
	ENH4X60*24**	*8MX*1352420**	TDR&TXV	57,000	0.75	11.00	13.00		
ENH4X60*24**	*8MPV125	TDR&TXV	57,000	0.75	11.00	13.00			
ENH4X60*24**	MV16J22**B*	TDR&TXV	57,000	0.75	11.00	13.00			
ENH4X60*24**	MV20L24**B*	TDR&TXV	57,000	0.75	11.00	13.00			
ENH4X61*24**	†	TXV	57,000	0.75	11.00		13.00		
ENH4X61*24**	*8MV*1102120**	TDR&TXV	57,000	0.75	11.00	13.00			
ENH4X61*24**	*8MV*1352422**	TDR&TXV	57,000	0.75	11.00	13.00			
ENH4X61*24**	*8MX*1102120**	TDR&TXV	57,000	0.75	11.00	13.00			
ENH4X61*24**	*8MX*1352420**	TDR&TXV	57,000	0.75	11.00	13.00			
ENH4X61*24**	*8MPV125	TDR&TXV	57,000	0.75	11.00	13.00			
ENH4X61*24**	MV16J22**B*	TDR&TXV	57,000	0.75	11.00	13.00			
ENH4X61*24**	MV20L24**B*	TDR&TXV	57,000	0.75	11.00	13.50			
FEM4P60**A*+TXV	—	TDR&TXV	57,000	0.75	11.00			13.00	
FEM4X60****	—	TDR&TXV	57,500	0.75	11.00	13.50			
FVM4X60****	—	TDR&TXV	57,500	0.75	11.00	13.50			
FXM4X60**A*	—	TDR&TXV	57,500	0.75	11.00	13.50			

2009 ENERGY STAR compliance for combinations with both: SEER 14.50 or higher and EER 12.00 or higher.

† For coils not listed with a matching furnace or blower, coil rating applies with any indoor blower device

ACCESSORY USAGE GUIDELINES		
Accessory	REQUIRED FOR LOW-AMBIENT APPLICATIONS {Below 55°F (13°C)}	REQUIRED FOR LONG-LINE APPLICATIONS* {Over 80 Ft.(24.4m)}
Crankcase Heater	Yes	Yes
Evaporator Freeze Thermostat	Yes	No
Winter Start Control	Yes **	No
Hard Start Kit (Capacitor & Relay)	Yes	Yes
Low Ambient Kit (Pressure Switch)	Yes	No
Support Feet, 4" (102mm) tall	Recommended	No
Liquid Line Solenoid Valve	No	See Long-Line Application Guideline

* For Line Set lengths between 80 and 200 ft (24.4 and 61m) horizontal, or more than 20 ft (6.1m) indoor-outdoor vertical separation, refer to the Long Line Application Guideline document.

** Can only be installed in conjunction with Low Pressure Switch.

ACCESSORIES		
Part Number	Description	Used On Model Size
NASA003CH	Crankcase Heater for Compressor	18, 24, 30
NASA001CH	Crankcase Heater for Compressor	36, 42, 48, 60
NASA001SC	Start Component – PTC Device	ALL
NASA001FS	Evaporator Freeze Thermostat	ALL
NASA403PS	Low Pressure Switch	ALL
NASA404PS	High Pressure Switch	ALL
NASA001LS	Liquid Line Solenoid Valve	ALL
NASA001TD	Time Delay Relay, Indoor Blower	ALL
NASA001WS	Winter Start Control	ALL
NASA001AC	Anti-Cycle Timer (5 minute delay)	ALL
NASA401LA	Low Ambient Kit (Pressure Switch)	ALL
NASA001SF	Support Feet, 4" (102mm) tall	ALL
NASA003SC	Hard Start Kit (Capacitor & Relay)	18, 24, 36, 42, 48
NASA005SC	Hard Start Kit (Capacitor & Relay)	30, 60
NASA001SJ	Sound Jacket, Compressor	18, 24, 30, 36, 42, 48
NASA003SJ	Sound Jacket, Compressor	60
NAEA40501TX	TXV Kit, R-410A – 2010 and later Piston Coils	18, 24, 30
NAEA40601TX	TXV Kit, R-410A – 2010 and later Piston Coils	36, 42
NAEA40701TX	TXV Kit, R-410A – 2010 and later Piston Coils	48, 60
EBAC05TXVX	TXV Kit, R-410A – 2005–2009 R-22 TXV Fancoils (air handlers)	18, 24, 30
EBAC06TXVX	TXV Kit, R-410A – 2005–2009 R-22 TXV Fancoils (air handlers)	36, 42
EBAC07TXVX	TXV Kit, R-410A – 2005–2009 R-22 TXV Fancoils (air handlers)	48, 60

International Comfort Products, LLC
Lewisburg, Tennessee 37091 USA