



HIGH EFFICIENCY 16 SEER AIR CONDITIONER ENVIRONMENTALLY SOUND R-410A REFRIGERANT

1½ THRU 5 TONS SPLIT SYSTEM

208 / 230 Volt, 1-phase, 60 Hz

REFRIGERATION CIRCUIT

- Copeland® compressors on all models
- Filter-Drier supplied with every unit for field installation
- Copper tube / aluminum fin coil
- ^48 and ^60 models for higher SEER, lower capacity
- ^49 and ^61 models for higher capacity, lower SEER

EASY TO INSTALL AND SERVICE

- Easy Access service valves on all models
- External high and low refrigerant service ports
- Only two screws to access control panel
- Factory charged with R-410A refrigerant

BUILT TO LAST

- Baked-on powder coat finish over galvanized steel
- Post-painted (black) coil fins
- Coated, weather-resistant cabinet screws
- Coated inlet grille with 3/8" (10mm) spacing for extra protection

WARRANTY*

- 5 year compressor limited warranty
- 5 year parts limited warranty (including compressor and coil)
 - With timely registration, an additional 5 year parts limited warranty (including compressor and coil)

* Applies to original purchaser/homeowner, some limitations may apply. See Warranty certificate for complete details.



This product has been designed and manufactured to meet ENERGY STAR criteria for energy efficiency when matched with appropriate coil components. However, proper refrigerant charge and proper air flow are critical to achieve rated capacity and efficiency. Installation of this product should follow the manufacturer's refrigerant charging and air flow instructions. Failure to confirm proper charge and airflow may reduce energy efficiency and shorten equipment life.

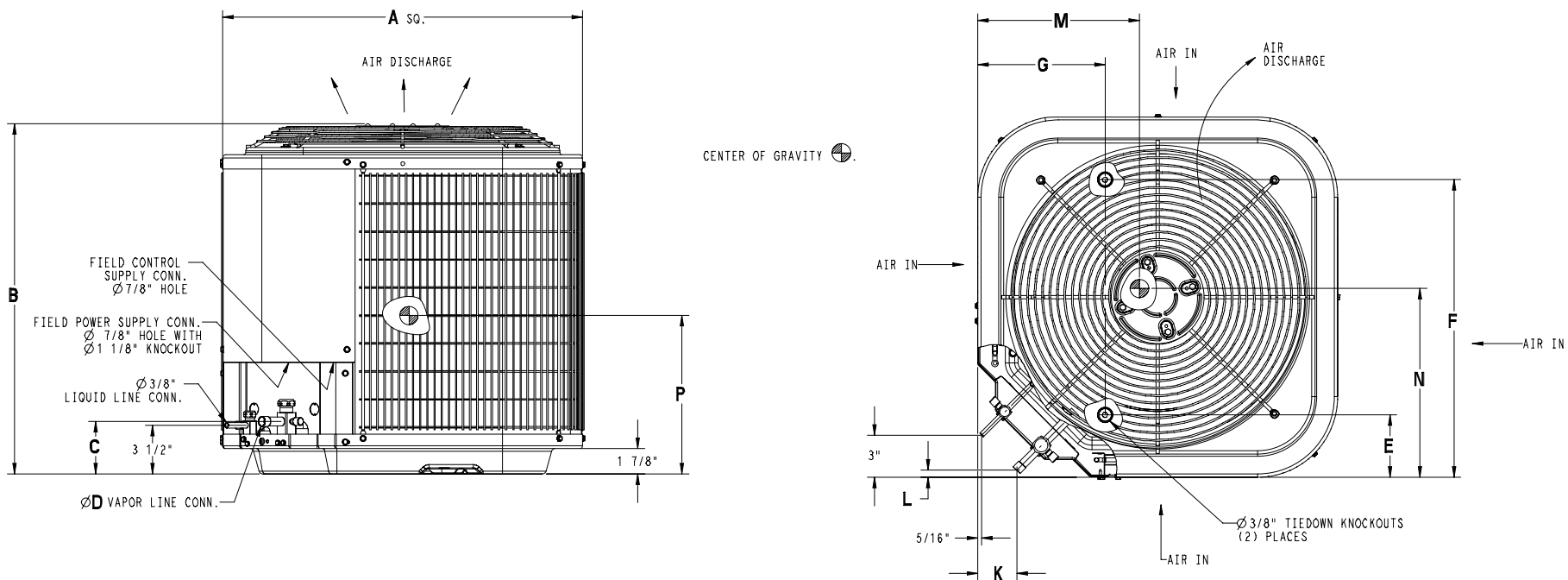


Use of the AHRI Certified TM Mark indicates a manufacturer's participation in the program. For verification of certification for individual products, go to www.ahridirectory.org.

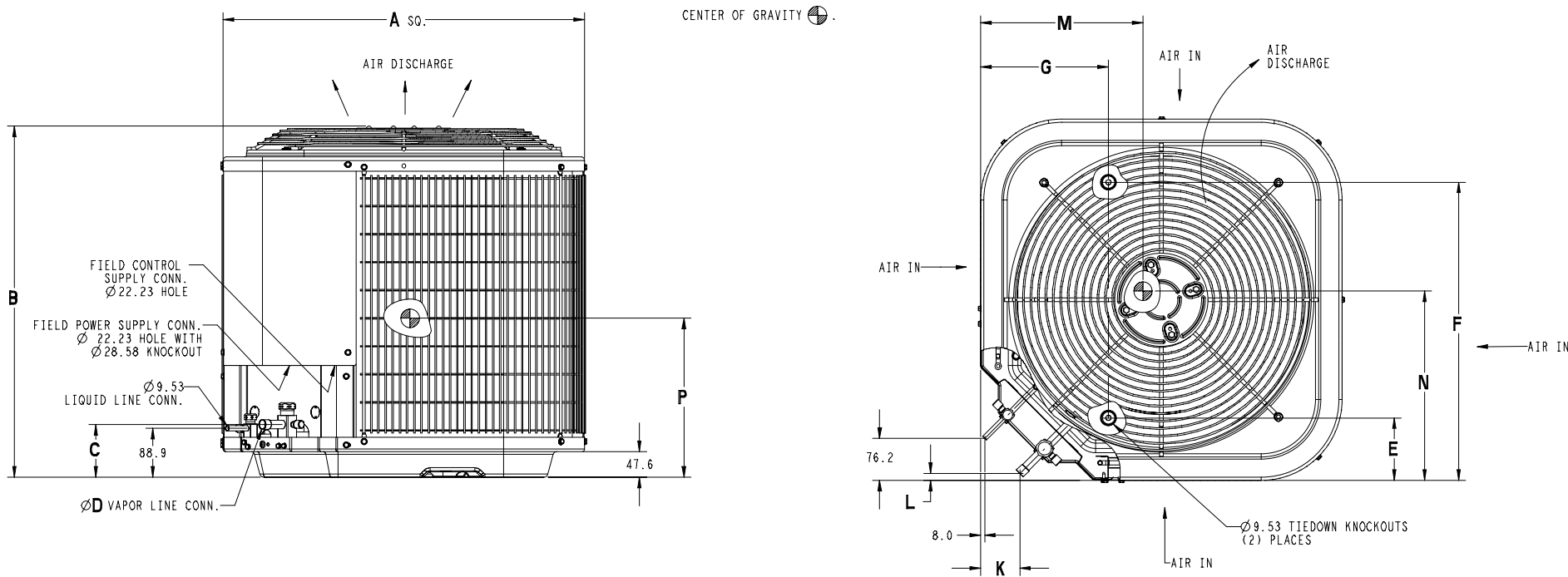
Model Number	Size (tons)	Nominal BTU/hr	Min. Circuit Ampacity	Max. Fuse or Breaker	Operating Dimensions height x width x depth in. (mm)	Ship / Operating Weight lbs. (kg)
NXA618GKA	1½	18,000	11.8	20	28-11/16 x 25-3/4 x 25-3/4 (729 x 654 x 654)	154 / 125 (70 / 57)
NXA624GKA	2	24,000	17.7	25	28-5/16 x 31-3/16 x 31-3/16 (719 x 792 x 792)	147 / 183 (83 / 67)
NXA630GKA	2½	30,000	16.8	25	32-5/16 x 31-3/16 x 31-3/16 (821 x 792 x 792)	188 / 153 (85 / 69)
NXA636GKA	3	36,000	18.1	30	28-5/16 x 35 x 35 (719 x 889 x 889)	204 / 165 (93 / 75)
NXA642GKA	3½	42,000	23.6	40	39-1/8 x 35 x 35 (994 x 889 x 889)	254 / 213 (115 / 96)
NXA648GKA	4	48,000	26.1	40	39-1/8 x 35 x 35 (994 x 889 x 889)	317 / 264 (144 / 120)
NXA649GKA	4	48,000	28.4	40	39-1/8 x 35 x 35 (994 x 889 x 889)	269 / 231 (122 / 105)
NXA660GKA	5	60,000	28.0	40	45-15/16 x 35 x 35 (1167 x 889 x 889)	310 / 272 (141 / 123)
NXA661GKA	5	60,000	32.5	50	45-15/16 x 35 x 35 (1167 x 889 x 889)	310 / 272 (141 / 123)

OUTDOOR UNIT MODEL NUMBER IDENTIFICATION GUIDE (single phase)											
Digit Position:	1	2	3	4	5, 6	7	8	9	10	11	12
Example Part Number:	N	X	A	6	18	G	K	A	1	0	0
C = Comfortmaker Mainline											
N = Comfortmaker Entry BRANDING											
X = R-410A REFRIGERANT											
A = Air Conditioner											
H = Heat Pump TYPE											
4 = 14 SEER											
6 = 16 SEER NOMINAL EFFICIENCY											
18 = 18,000 BTUH = 1½ tons											
24 = 24,000 BTUH = 2 tons											
30 = 30,000 BTUH = 2½ tons											
36 = 36,000 BTUH = 3 tons											
42 = 42,000 BTUH = 3½ tons											
48 = 48,000 BTUH = 4 tons											
49 = 48,000 BTUH = 4 tons											
60 = 60,000 BTUH = 5 tons											
61 = 60,000 BTUH = 5 tons NOMINAL CAPACITY											
A = Standard Grille											
G = Coil Guard Grille											
C = Coastal FEATURES											
K = 208/230-1-60 VOLTAGE											
Sales Code											
Engineering Revision											
Extra Digit											
Extra Digit											

ACCESSORIES PART NUMBER IDENTIFICATION GUIDE									
Digit Position:	1	2	3	4	5	6, 7	8, 9	10, 11	
Example Part Number:	N	A	S	A	0	01	01	CH	
N = Non-Branded BRANDING									
A = Accessory PRODUCT GROUP									
S = Split System (AC & HP) KIT USAGE									
A = Original									
B = 2nd Generation MAJOR SERIES									
0 = Generic or Not Applicable									
2 = R-22									
4 = R-410A REFRIGERANT									
Product Identifier Number									
Package Quantity									
Type of Kit (Example: CH = Crankcase Heater)									



Model	All Dimensions Inches (English)												Minimum Mounting Pad Size	Crated Dimensions H x W x D
	A	B	C	D	E	F	G	K	L	M	N	P		
NXA618GKA	25-3/4	28-11/16	3-3/4	3/4	4-7/16	21-1/4	7-13/16	2-13/16	1/2	13-5/8	13-1/2	12-3/4	26 x 26	32-9/16x30-1/16x26-7/8
NXA624GKA	31-3/16	28-5/16	3-3/4	3/4	6-9/16	24-11/16	9-1/8	2-13/16	1/2	16	16	13	31-1/2 x 31-1/2	32-9/16x35-1/2x32-3/8
NXA630GKA	31-3/16	32-5/16	3-3/4	3/4	6-9/16	24-11/16	9-1/8	2-13/16	1/2	15-1/2	16	14-1/4	31-1/2 x 31-1/2	35-15/16x35-1/2x32-3/8
NXA636GKA	35	28-5/16	3-7/8	7/8	6-9/16	28-7/16	9-1/8	2-15/16	5/8	16	16	13	35 x 35	32-9/16x39-5/16x36-1/8
NXA642GKA	35	39-1/8	3-7/8	7/8	6-9/16	28-7/16	9-1/8	2-15/16	5/8	16-1/2	17-1/2	17-1/2	35 x 35	42-3/4x39-5/16x36-1/8
NXA648GKA	35	39-1/8	3-7/8	7/8	6-9/16	28-7/16	9-1/8	2-15/16	5/8	17-1/2	16-1/2	15	35 x 35	42-3/4x39-5/16x36-1/8
NXA649GKA	35	39-1/8	3-7/8	7/8	6-9/16	28-7/16	9-1/8	2-15/16	5/8	17-1/2	16-1/2	15	35 x 35	42-3/4x39-5/16x36-1/8
NXA660GKA	35	45-15/16	3-7/8	7/8	6-9/16	28-7/16	9-1/8	2-15/16	5/8	16-1/2	17	16-1/4	35 x 35	49-9/16x39-5/16x36-1/8
NXA661GKA	35	45-15/16	3-7/8	7/8	6-9/16	28-7/16	9-1/8	2-15/16	5/8	16-1/2	17	16-1/4	35 x 35	49-9/16x39-5/16x36-1/8



Specifications subject to change without notice.

Model	Dimensions mm (SI Metric)												Minimum Mounting Pad Size	Crated Dimensions H x W x D
	A	B	C	D	E	F	G	K	L	M	N	P		
NXA618GKA	654	729	95	19	113	540	198	71	13	346	343	324	660 x 660	827 x 764 x 683
NXA624GKA	792	719	95	19	167	627	232	71	13	406	406	330	800 x 800	827 x 902 x 822
NXA630GKA	792	821	95	19	167	627	232	71	13	394	406	362	800 x 800	913 x 902 x 822
NXA636GKA	889	719	98	22	167	722	232	75	16	406	406	330	889 x 889	827 x 999 x 918
NXA642GKA	889	994	98	22	167	722	232	75	16	419	445	445	889 x 889	1086 x 999 x 918
NXA648GKA	889	994	98	22	167	722	232	75	16	445	419	381	889 x 889	1086 x 999 x 918
NXA649GKA	889	994	98	22	167	722	232	75	16	445	419	381	889 x 889	1086 x 999 x 918
NXA660GKA	889	1167	98	22	167	722	232	75	16	419	431	413	889 x 889	1259 x 999 x 918
NXA661GKA	889	1167	98	22	167	722	232	75	16	419	431	413	889 x 889	1259 x 999 x 918

PHYSICAL DATA									
Model Size	18	24	30	36	42	48	49	60	61
Nominal Cooling Capacity (BTU/hr)	18,000	24,000	30,000	36,000	42,000	48,000	48,000	60,000	60,000
Nominal SEER	16.0	16.0	16.0	16.0	16.0	16.0	16.0	16.0	16.0
Sound Rating (dBA)**	76	76	76	76	78	78	78	78	79
PSC Fan Motor HP	1/12	1/10	1/10	1/12	1/5	1/4	1/4	1/4	1/4
Fan RPM (single speed)	1100	1100	1100	830	830	830	830	830	830
Fan CFM	1900	2600	2600	3200	3800	4100	4100	4100	4100
Coil Face Area ft ² (m ²)	11.47 (1.1)	15.07 (1.4)	17.22 (1.6)	17.58 (1.6)	25.12 (2.3)	25.12 (2.3)	25.12 (2.3)	30.15 (2.8)	30.15 (2.8)
Coil Rows – fins per inch	1 – 25	1 – 25	1 – 25	1 – 25	1 – 25	2 – 20	1 – 25	2 – 20	2 – 20
Liquid Line Connection Size in. (mm)	3/8 (10)	3/8 (10)	3/8 (10)	3/8 (10)	3/8 (10)	3/8 (10)	3/8 (10)	3/8 (10)	3/8 (10)
Vapor Line Connection Size in. (mm)	3/4 (19)	3/4 (19)	3/4 (19)	7/8 (22)	7/8 (22)	7/8 (22)	7/8 (22)	7/8 (22)	7/8 (22)
Recommended Line Set Liquid Tube Diameter in. (mm)	3/8 (10)	3/8 (10)	3/8 (10)	3/8 (10)	3/8 (10)	3/8 (10)	3/8 (10)	3/8 (10)	3/8 (10)
Recommended Line Set Vapor Tube Diameter in. (mm)	3/4 (19) *	3/4 (19) *	3/4 (19) *	7/8 (22)*	7/8 (22)*	7/8 (22)*	7/8 (22)*	1–1/8 (29)*	1–1/8 (29)*
* Recommended Vapor Tube Line size is for standard installations. These recommendations may not apply to “Long Line” installations. When the total equivalent line length exceeds 80 feet (24.4m) or there is more than 20 feet (6.1m) vertical separation between indoor and outdoor units, consult the Long Line Application Guide line document before purchasing/installing line sets.									
Factory Charge R-410A lbs. (kg)	4.61 (2.09)	6.00 (2.72)	6.81 (3.09)	7.00 (3.18)	8.62 (3.91)	13.00 (5.90)	9.00 (4.08)	14.50 (6.58)	14.50 (6.58)
Required Subcooling ° F (° C)	10 (6)	10 (6)	10 (6)	10 (6)	9 (5)	8 (4)	8 (4)	9 (5)	9 (5)
Weight, shipping lbs. (kg)	154 (70)	183 (83)	188 (85)	204 (93)	254 (115)	317 (144)	269 (122)	310 (141)	310 (141)
Weight, operating lbs. (kg)	125 (57)	147 (67)	153 (69)	165 (75)	213 (96)	264 (120)	231 (105)	272 (123)	272 (123)

ELECTRICAL DATA (208/230–1–60, voltage range 197V – 253V)									
Model Size	18	24	30	36	42	48	49	60	61
Minimum Circuit Ampacity – MCA (amps)	11.8	17.7	16.8	18.1	23.6	26.1	28.4	28.0	32.5
Maximum OverCurrent Protective device – MOCP (amps)	20	25	25	30	40	40	40	40	50
Compressor RLA (Rated Load Amps) LRA (Locked Rotor Amps)	9.0 48.0	13.5 58.3	12.8 64.0	14.1 77.0	17.9 112.0	19.9 109.0	21.8 117.0	21.4 135.0	25.0 134.0
Fan Motor FLA (Full Load Amps)	.50	.75	.75	.50	1.2	1.2	1.2	1.2	1.2

**Sound Rating tested in accordance with ARI Standard 270–95 (not listed with ARI).

R-410A COOLING CAPACITY LOSS FOR VARIOUS LINE LENGTHS & TUBE DIAMETERS

Model Size	Liquid Line in.(mm)	Acceptable Vapor Line Sizes in. (mm)	Cooling Capacity Loss (%) at Total Equivalent Line Length, feet (m) Refer to Long Line Application Guideline to calculate equivalent length										
			Standard Application			Long Line Application (Requires Accessories)							
			25' (7.6)	50' (15.2)	80' (24.4)	81' (24.7)	100' (30.5)	125' (38.1)	150' (45.7)	175' (53.3)	200' (61)	225' (68.6)	250' (76.2)
18	3/8 (10)	1/2 (13)	1	2	3	3	4	6	7	8	9	10	12
		5/8 (16)	0	0	1	1	1	1	2	2	3	3	3
24		5/8 (16)	0	1	1	1	2	3	3	4	4	5	6
		3/4 (19)	0	0	0	0	0	1	1	1	1	1	2
30		5/8 (16)	1	2	3	3	3	4	5	6	7	8	9
		3/4 (19)	0	0	1	1	1	1	2	2	2	3	3
		7/8 (22)	0	0	0	0	0	1	1	1	1	1	1
36		5/8 (16)	1	2	4	4	5	6	7	9	10	11	13
		3/4 (19)	0	0	1	1	1	2	2	3	3	4	4
		7/8 (22)	0	0	0	0	0	1	1	1	1	2	2
42		3/4 (19)	0	1	2	2	2	3	4	4	5	6	6
		7/8 (22)	0	0	1	1	1	1	2	2	2	3	3
48/49	3/4 (19)	0	1	2	2	3	4	5	5	6	7	8	
	7/8 (22)	0	0	1	1	1	2	2	2	3	3	4	
60/61	3/4 (19)	1	2	4	4	5	6	7	9	10	11	12	
	7/8 (22)	0	1	2	2	2	3	4	4	5	5	6	
	1 1/8 (29)	0	0	0	0	1	1	1	1	1	1	2	

* Applications are considered "Long Line" if the total equivalent tubing length exceeds 80 feet (24.4m) or there is more than 20 foot (6.1m) vertical separation between indoor and outdoor units. These applications require additional accessories and system modifications for reliable system operation.

Applications in shaded area may have height restrictions that limit allowable total equivalent length when outdoor unit is below indoor unit.

COOLING PERFORMANCE FOR COMBINATION RATINGS Indoor Models

For complete ratings information, use the AHRI website directory search: www.AHRIdirectory.org.
New ratings may be listed online before Specification Sheets are updated.

Outdoor Model	Current Indoor Model (‡ tested combo)	Furnace Model	Factory Installed	Cooling 95° F (35° C)			SEER		
				BTU/hr	S/T	EER	factory	w/ field TDR	w/ field TXV
NXA618GKA	‡EN(A,D)4X19*17**	†	TXV	18,000	0.71	12.00		14.50	
	ED*4X18B**	*8MPV050	TDR&TXV	18,000	0.71	12.50	15.50		
	ED*4X18B**	MV08B15**B*	TDR&TXV	18,000	0.71	13.00	16.00		
	ED*4X18B**	†	TXV	18,000	0.71	11.50		14.00	
	ED*4X24B**	*8MPV050	TDR&TXV	18,400	0.71	13.00	16.00		
	ED*4X24B**	MV08B15**B*	TDR&TXV	18,400	0.71	13.00	16.00		
	ED*4X24B**	†	TXV	18,400	0.71	11.50		14.00	
	ED*4X24F**	*9MPV050	TDR&TXV	18,400	0.71	13.00	16.00		
	ED*4X24F**	*9MPV075	TDR&TXV	18,400	0.71	13.00	16.00		
	ED*4X24F**	*9MVX040	TDR&TXV	18,400	0.71	13.00	16.00		
	ED*4X24F**	*9MVX060	TDR&TXV	18,400	0.71	13.00	16.00		
	ED*4X24F**	†	TXV	18,400	0.71	11.50		14.00	
	ED*4X30B**	*8MPV050	TDR&TXV	18,400	0.71	13.00	16.00		
	ED*4X30B**	*8MV*0701412**	TDR&TXV	18,400	0.71	13.00	16.00		
	ED*4X30B**	*8MX*0451408**	TDR&TXV	18,400	0.71	13.00	16.00		
	ED*4X30B**	MV08B15**B*	TDR&TXV	18,400	0.71	13.00	16.00		
	ED*4X30B**	†	TXV	18,400	0.71	12.00		14.50	
	ED*4X30F**	*8MPV050	TDR&TXV	18,400	0.71	13.00	16.00		
	ED*4X30F**	*8MPV075	TDR&TXV	18,400	0.71	13.00	16.00		
	ED*4X30F**	*8MV*0901716**	TDR&TXV	18,400	0.71	13.00	16.00		
	ED*4X30F**	*9MPV050	TDR&TXV	18,400	0.71	13.00	16.00		
	ED*4X30F**	*9MPV075	TDR&TXV	18,400	0.71	13.00	16.00		
	ED*4X30F**	*9MVX040	TDR&TXV	18,400	0.71	13.00	16.00		
	ED*4X30F**	*9MVX060	TDR&TXV	18,400	0.71	13.00	16.00		
	ED*4X30F**	MV08B15**B*	TDR&TXV	18,400	0.71	13.00	16.00		
	ED*4X30F**	MV12F19**B*	TDR&TXV	18,400	0.71	13.00	16.00		
	ED*4X30F**	NOMV106D12*	TDR&TXV	18,400	0.71	13.00	16.00		
	ED*4X30F**	†	TXV	18,400	0.71	12.00		14.50	
	ED*4X36B**	*8MPV050	TDR&TXV	18,600	0.71	13.00	16.00		
	ED*4X36B**	*8MV*0701412**	TDR&TXV	18,600	0.71	13.00	16.00		
	ED*4X36B**	*8MX*0451408**	TDR&TXV	18,600	0.71	13.00	16.00		
	ED*4X36B**	MV08B15**B*	TDR&TXV	18,600	0.71	13.00	16.00		
	ED*4X36B**	†	TXV	18,600	0.71	12.00		14.50	
	ED*4X36F**	*8MPV050	TDR&TXV	18,600	0.71	13.00	16.00		
	ED*4X36F**	*8MPV075	TDR&TXV	18,600	0.71	13.00	16.00		
	ED*4X36F**	*8MV*0901716**	TDR&TXV	18,600	0.71	13.00	16.00		
	ED*4X36F**	*9MPV050	TDR&TXV	18,600	0.71	13.00	16.00		
	ED*4X36F**	*9MPV075	TDR&TXV	18,600	0.71	13.00	16.00		
	ED*4X36F**	*9MVX040	TDR&TXV	18,600	0.71	13.00	16.00		
	ED*4X36F**	*9MVX060	TDR&TXV	18,600	0.71	13.00	16.00		
ED*4X36F**	MV08B15**B*	TDR&TXV	18,600	0.71	13.00	16.00			
ED*4X36F**	MV12F19**B*	TDR&TXV	18,600	0.71	13.00	16.00			
ED*4X36F**	NOMV106D12*	TDR&TXV	18,600	0.71	13.00	16.00			
ED*4X36F**	†	TXV	18,600	0.71	12.00		14.50		
ED*4X36J**	*8MPV075	TDR&TXV	18,600	0.71	13.00	16.00			
ED*4X36J**	*8MPV100	TDR&TXV	18,600	0.71	13.00	16.00			
ED*4X36J**	*8MPV125	TDR&TXV	18,600	0.71	13.00	16.00			
ED*4X36J**	*8MV*1102120**	TDR&TXV	18,600	0.71	13.00	16.00			
ED*4X36J**	*9MPV050	TDR&TXV	18,600	0.71	13.00	16.00			
ED*4X36J**	*9MPV075	TDR&TXV	18,600	0.71	13.00	16.00			
ED*4X36J**	*9MPV100	TDR&TXV	18,600	0.71	13.00	16.00			
ED*4X36J**	*9MVX040	TDR&TXV	18,600	0.71	13.00	16.00			
ED*4X36J**	*9MVX060	TDR&TXV	18,600	0.71	13.00	16.00			
ED*4X36J**	*9MVX080	TDR&TXV	18,600	0.71	13.00	16.00			
ED*4X36J**	MV12F19**B*	TDR&TXV	18,600	0.71	13.00	16.00			
ED*4X36J**	†	TXV	18,600	0.71	12.00		14.50		
EHD4X24A**	*8MPV050	TDR&TXV	18,400	0.71	13.00	16.00			
EHD4X24A**	*8MV*0701412**	TDR&TXV	18,400	0.71	13.00	16.00			

2009 ENERGY STAR compliance for combinations with both: SEER 14.50 or higher and EER 12.00 or higher.
† For coils not listed with a matching furnace or blower, coil rating applies with any indoor blower device.

- continued on next page -

COOLING PERFORMANCE FOR COMBINATION RATINGS (continued) Indoor Models

For complete ratings information, use the AHRI website directory search: www.AHRIdirectory.org.
New ratings may be listed online before Specification Sheets are updated.

Outdoor Model	Current Indoor Model († tested combo)	Furnace Model	Factory Installed	Cooling 95° F (35° C)			SEER		
				BTU/hr	S/T	EER	factory	w/ field TDR	w/ field TXV
NXA618GKA (continued)	EHD4X24A**	*8MV*0901716**	TDR&TXV	18,400	0.71	13.00	16.00		
	EHD4X24A**	*8MX*0451408**	TDR&TXV	18,400	0.71	13.00	16.00		
	EHD4X24A**	*9MPV050	TDR&TXV	18,400	0.71	13.00	16.00		
	EHD4X24A**	*9MPV075	TDR&TXV	18,400	0.71	13.00	16.00		
	EHD4X24A**	*9MVX040	TDR&TXV	18,400	0.71	13.00	16.00		
	EHD4X24A**	*9MVX060	TDR&TXV	18,400	0.71	13.00	16.00		
	EHD4X24A**	MV08B15**B*	TDR&TXV	18,400	0.71	13.00	16.00		
	EHD4X24A**	NOMV106D12*	TDR&TXV	18,400	0.71	13.00	16.00		
	EHD4X24A**	†	TXV	18,400	0.71	11.50		14.00	
	EMA4X24D**	†	TXV	18,400	0.71	11.50		14.00	
	EN(A,D)4X18*14**	*8MV*0701412**	TDR&TXV	18,000	0.71	13.00	16.00		
	EN(A,D)4X18*14**	*8MX*0451408**	TDR&TXV	18,000	0.71	13.00	16.00		
	EN(A,D)4X18*14**	†	TXV	18,000	0.71	12.00		14.50	
	EN(A,D)4X19*17**	*8MPV050	TDR&TXV	18,000	0.71	13.00	16.00		
	EN(A,D)4X19*17**	*8MV*0701412**	TDR&TXV	18,000	0.71	13.00	16.00		
	EN(A,D)4X19*17**	*8MV*0901716**	TDR&TXV	18,000	0.71	13.00	16.00		
	EN(A,D)4X19*17**	*8MX*0451408**	TDR&TXV	18,000	0.71	13.00	16.00		
	EN(A,D)4X19*17**	MV08B15**B*	TDR&TXV	18,000	0.71	13.00	16.00		
	EN(A,D)4X19*17**	NOMV106D12*	TDR&TXV	18,000	0.71	13.00	16.00		
	EN(A,D)4X24*14**	*8MV*0701412**	TDR&TXV	18,400	0.71	13.00	16.00		
	EN(A,D)4X24*14**	*8MX*0451408**	TDR&TXV	18,400	0.71	13.00	16.00		
	EN(A,D)4X24*14**	†	TXV	18,400	0.71	12.00		14.50	
	EN(A,D)4X24*17**	*8MPV050	TDR&TXV	18,400	0.71	13.00	16.00		
	EN(A,D)4X24*17**	*8MV*0701412**	TDR&TXV	18,400	0.71	13.00	16.00		
	EN(A,D)4X24*17**	*8MV*0901716**	TDR&TXV	18,400	0.71	13.00	16.00		
	EN(A,D)4X24*17**	*8MX*0451408**	TDR&TXV	18,400	0.71	13.00	16.00		
	EN(A,D)4X24*17**	MV08B15**B*	TDR&TXV	18,400	0.71	13.00	16.00		
	EN(A,D)4X24*17**	NOMV106D12*	TDR&TXV	18,400	0.71	13.00	16.00		
	EN(A,D)4X24*17**	†	TXV	18,400	0.71	12.00		14.50	
	ENH4X24*17**	*8MPV050	TDR&TXV	18,400	0.71	13.00	16.00		
	ENH4X24*17**	*8MV*0701412**	TDR&TXV	18,400	0.71	13.00	16.00		
	ENH4X24*17**	*8MV*0901716**	TDR&TXV	18,400	0.71	13.00	16.00		
	ENH4X24*17**	*8MX*0451408**	TDR&TXV	18,400	0.71	13.00	16.00		
	ENH4X24*17**	*9MPV050	TDR&TXV	18,400	0.71	13.00	16.00		
	ENH4X24*17**	*9MPV075	TDR&TXV	18,400	0.71	12.50	15.50		
	ENH4X24*17**	*9MVX040	TDR&TXV	18,400	0.71	12.50	15.50		
	ENH4X24*17**	*9MVX060	TDR&TXV	18,400	0.71	13.00	16.00		
	ENH4X24*17**	MV08B15**B*	TDR&TXV	18,400	0.71	13.00	16.00		
	ENH4X24*17**	NOMV106D12*	TDR&TXV	18,400	0.71	13.00	16.00		
	ENH4X24*17**	†	TXV	18,400	0.71	12.00		14.50	
	FEA4X18**A*	—	TDR&TXV	18,000	0.71	12.50	15.50		
	FEA4X24**A*	—	TDR&TXV	18,400	0.71	13.00	16.00		
	FEA4X30**A*	—	TDR&TXV	18,400	0.71	13.00	16.00		
	FEA4X36**A*	—	TDR&TXV	18,400	0.71	13.00	16.00		
	FEM4P18**A*+TXV	—	TDR	18,000	0.71	13.00	15.50		16.00
FEM4P24**A*+TXV	—	TDR	18,400	0.71	13.00	15.50		16.00	
FEM4P30**A*+TXV	—	TDR	18,500	0.71	12.50	14.50		15.00	
FEM4X18****	—	TDR&TXV	18,000	0.71	13.00	16.00			
FEM4X24****	—	TDR&TXV	18,400	0.71	13.00	16.00			
FS(M,U)4P18**A*+TXV	—	TDR	18,000	0.71	12.50	14.50		15.00	
FS(M,U)4P24**A*+TXV	—	TDR	18,400	0.71	12.50	14.50		15.00	
FS(M,U)4X18****	—	TDR&TXV	18,000	0.71	11.50	14.00			
FS(M,U)4X24****	—	TDR&TXV	18,400	0.71	11.50	14.00			
FSA4X18**A*	—	TDR&TXV	18,000	0.71	11.50	14.00			
FSA4X24**A*	—	TDR&TXV	18,400	0.71	11.50	14.00			
FVM4X24****	—	TDR&TXV	18,400	0.71	13.00	16.00			
FXM4X18**A*	—	TDR&TXV	18,400	0.71	13.00	16.00			
FXM4X24**A*	—	TDR&TXV	18,400	0.71	13.00	16.00			
FXM4X30**A*	—	TDR&TXV	18,400	0.71	13.00	16.00			

2009 ENERGY STAR compliance for combinations with both: SEER 14.50 or higher and EER 12.00 or higher.

† For coils not listed with a matching furnace or blower, coil rating applies with any indoor blower device.

- continued on next page -

COOLING PERFORMANCE FOR COMBINATION RATINGS (continued) Indoor Models

For complete ratings information, use the AHRI website directory search: www.AHRI.directory.org.
New ratings may be listed online before Specification Sheets are updated.

Outdoor Model	Current Indoor Model († tested combo)	Furnace Model	Factory Installed	Cooling 95° F (35° C)			SEER		
				BTU/hr	S/T	EER	factory	w/ field TDR	w/ field TXV
NXA624GKA	‡EN(A,D)4X31*17**	†		23,600	0.72	12.00		14.50	
	ED*4X24B**	*8MPV050	TDR&TXV	23,400	0.72	12.50	15.00		
	ED*4X24B**	MV08B15**B*	TDR&TXV	23,400	0.72	13.00	16.00		
	ED*4X24B**	†	TXV	23,400	0.72	11.50		14.00	
	ED*4X24F**	*8MPV075	TDR&TXV	23,400	0.72	12.50	15.50		
	ED*4X24F**	*9MPV050	TDR&TXV	23,400	0.72	12.50	15.50		
	ED*4X24F**	*9MPV075	TDR&TXV	23,400	0.72	12.50	15.50		
	ED*4X24F**	*9MVX040	TDR&TXV	23,400	0.72	12.50	15.50		
	ED*4X24F**	*9MVX060	TDR&TXV	23,400	0.72	12.50	15.50		
	ED*4X24F**	MV12F19**B*	TDR&TXV	23,400	0.72	13.00	16.00		
	ED*4X24F**	†	TXV	23,400	0.72	11.50		14.00	
	ED*4X30B**	*8MPV050	TDR&TXV	23,600	0.72	12.50	15.50		
	ED*4X30B**	MV08B15**B*	TDR&TXV	23,600	0.72	13.00	16.00		
	ED*4X30B**	†	TXV	23,600	0.72	11.50		14.00	
	ED*4X30F**	*8MPV075	TDR&TXV	23,600	0.72	12.50	15.50		
	ED*4X30F**	*9MPV050	TDR&TXV	23,600	0.72	12.50	15.50		
	ED*4X30F**	*9MPV075	TDR&TXV	23,600	0.72	12.50	15.50		
	ED*4X30F**	*9MVX040	TDR&TXV	23,600	0.72	12.50	15.50		
	ED*4X30F**	*9MVX060	TDR&TXV	23,600	0.72	12.50	15.50		
	ED*4X30F**	MV12F19**B*	TDR&TXV	23,600	0.72	13.00	16.00		
	ED*4X30F**	†	TXV	23,600	0.72	11.50		14.00	
	ED*4X36B**	*8MPV050	TDR&TXV	23,800	0.72	12.50	15.50		
	ED*4X36B**	*8MV*0701412**	TDR&TXV	23,800	0.72	13.00	16.00		
	ED*4X36B**	MV08B15**B*	TDR&TXV	23,800	0.72	13.00	16.00		
	ED*4X36B**	†	TXV	23,800	0.72	12.00		14.50	
	ED*4X36F**	*8MPV050	TDR&TXV	23,800	0.72	12.50	15.50		
	ED*4X36F**	*8MPV075	TDR&TXV	23,800	0.72	13.00	16.00		
	ED*4X36F**	*8MV*0901716**	TDR&TXV	23,800	0.72	13.00	16.00		
	ED*4X36F**	*8MX*0701716**	TDR&TXV	23,800	0.72	12.50	15.50		
	ED*4X36F**	*9MPV050	TDR&TXV	23,800	0.72	12.50	15.50		
	ED*4X36F**	*9MPV075	TDR&TXV	23,800	0.72	12.50	15.50		
	ED*4X36F**	*9MVX040	TDR&TXV	23,800	0.72	12.50	15.50		
	ED*4X36F**	*9MVX060	TDR&TXV	23,800	0.72	12.50	15.50		
	ED*4X36F**	MV08B15**B*	TDR&TXV	23,800	0.72	13.00	16.00		
	ED*4X36F**	MV12F19**B*	TDR&TXV	23,800	0.72	13.00	16.00		
	ED*4X36F**	NOMV106D12*	TDR&TXV	23,800	0.72	13.00	16.00		
	ED*4X36F**	†	TXV	23,800	0.72	12.00		14.50	
	ED*4X36J**	*8MPV075	TDR&TXV	23,800	0.72	13.00	16.00		
	ED*4X36J**	*8MPV100	TDR&TXV	23,800	0.72	13.00	16.00		
	ED*4X36J**	*8MPV125	TDR&TXV	23,800	0.72	13.00	16.00		
	ED*4X36J**	*8MV*1102120**	TDR&TXV	23,800	0.72	13.00	16.00		
	ED*4X36J**	*8MX*0902116**	TDR&TXV	23,800	0.72	13.00	16.00		
ED*4X36J**	*9MPV050	TDR&TXV	23,800	0.72	12.50	15.50			
ED*4X36J**	*9MPV075	TDR&TXV	23,800	0.72	12.50	15.50			
ED*4X36J**	*9MPV100	TDR&TXV	23,800	0.72	13.00	16.00			
ED*4X36J**	*9MVX040	TDR&TXV	23,800	0.72	12.50	15.50			
ED*4X36J**	*9MVX060	TDR&TXV	23,800	0.72	13.00	16.00			
ED*4X36J**	*9MVX080	TDR&TXV	23,800	0.72	13.00	16.00			
ED*4X36J**	MV12F19**B*	TDR&TXV	23,800	0.72	13.00	16.00			
ED*4X36J**	†	TXV	23,800	0.72	12.00		14.50		
ED*4X42F**	*8MPV050	TDR&TXV	24,000	0.72	12.50	15.50			
ED*4X42F**	*8MPV075	TDR&TXV	24,000	0.72	13.00	16.00			
ED*4X42F**	*8MV*0901716**	TDR&TXV	24,000	0.72	13.00	16.00			
ED*4X42F**	*8MX*0701716**	TDR&TXV	24,000	0.72	13.00	16.00			
ED*4X42F**	*9MPV050	TDR&TXV	24,000	0.72	13.00	16.00			
ED*4X42F**	*9MPV075	TDR&TXV	24,000	0.72	13.00	16.00			
ED*4X42F**	*9MVX040	TDR&TXV	24,000	0.72	13.00	16.00			
ED*4X42F**	*9MVX060	TDR&TXV	24,000	0.72	13.00	16.00			
ED*4X42F**	MV08B15**B*	TDR&TXV	24,000	0.72	13.00	16.00			

2009 ENERGY STAR compliance for combinations with both: SEER 14.50 or higher and EER 12.00 or higher.
† For coils not listed with a matching furnace or blower, coil rating applies with any indoor blower device.

- continued on next page -

COOLING PERFORMANCE FOR COMBINATION RATINGS (continued) Indoor Models

For complete ratings information, use the AHRI website directory search: www.AHRIdirectory.org.
New ratings may be listed online before Specification Sheets are updated.

Outdoor Model	Current Indoor Model († tested combo)	Furnace Model	Factory Installed	Cooling 95° F (35° C)			SEER		
				BTU/hr	S/T	EER	factory	w/ field TDR	w/ field TXV
NXA624GKA (continued)	ED*4X42F**	MV12F19**B*	TDR&TXV	24,000	0.72	13.00	16.00		
	ED*4X42F**	NOMV106D12*	TDR&TXV	24,000	0.72	13.00	16.00		
	ED*4X42F**	†	TXV	24,000	0.72	12.00		14.50	
	ED*4X42J**	*8MPV075	TDR&TXV	24,000	0.72	13.00	16.00		
	ED*4X42J**	*8MPV100	TDR&TXV	24,000	0.72	14.00	16.00		
	ED*4X42J**	*8MPV125	TDR&TXV	24,000	0.72	13.00	16.00		
	ED*4X42J**	*8MV*1102120**	TDR&TXV	24,000	0.72	13.00	16.00		
	ED*4X42J**	*8MX*0902116**	TDR&TXV	24,000	0.72	13.00	16.00		
	ED*4X42J**	*9MPV050	TDR&TXV	24,000	0.72	13.00	16.00		
	ED*4X42J**	*9MPV075	TDR&TXV	24,000	0.72	13.00	16.00		
	ED*4X42J**	*9MPV100	TDR&TXV	24,000	0.72	13.00	16.00		
	ED*4X42J**	*9MVX040	TDR&TXV	24,000	0.72	13.00	16.00		
	ED*4X42J**	*9MVX060	TDR&TXV	24,000	0.72	13.00	16.00		
	ED*4X42J**	*9MVX080	TDR&TXV	24,000	0.72	13.00	16.00		
	ED*4X42J**	MV12F19**B*	TDR&TXV	24,000	0.72	13.00	16.00		
	ED*4X42J**	†	TXV	24,000	0.72	12.00		14.50	
	ED*4X42L**	*8MPV100	TDR&TXV	24,000	0.72	13.00	16.00		
	ED*4X42L**	*8MPV125	TDR&TXV	24,000	0.72	13.00	16.00		
	ED*4X42L**	*8MV*1102120**	TDR&TXV	24,000	0.72	13.00	16.00		
	ED*4X42L**	*8MV*1352422**	TDR&TXV	24,000	0.72	13.00	16.00		
	ED*4X42L**	*8MX*0902116**	TDR&TXV	24,000	0.72	13.00	16.00		
	ED*4X42L**	*9MPV100	TDR&TXV	24,000	0.72	13.00	16.00		
	ED*4X42L**	*9MPV125	TDR&TXV	24,000	0.72	13.00	16.00		
	ED*4X42L**	*9MVX080	TDR&TXV	24,000	0.72	13.00	16.00		
	ED*4X42L**	*9MVX100	TDR&TXV	24,000	0.72	13.00	16.00		
	ED*4X42L**	†	TXV	24,000	0.72	12.00		14.50	
	EHD4X24A**	*8MPV050	TDR&TXV	23,400	0.72	12.50	15.50		
	EHD4X24A**	*8MPV075	TDR&TXV	23,400	0.72	13.00	16.00		
	EHD4X24A**	*8MPV100	TDR&TXV	23,400	0.72	13.00	16.00		
	EHD4X24A**	*8MPV125	TDR&TXV	23,400	0.72	13.00	16.00		
	EHD4X24A**	*8MV*0701412**	TDR&TXV	23,400	0.72	13.00	16.00		
	EHD4X24A**	*8MV*0901716**	TDR&TXV	23,400	0.72	13.00	16.00		
	EHD4X24A**	*8MV*1102120**	TDR&TXV	23,400	0.72	13.00	16.00		
	EHD4X24A**	*8MV*1352422**	TDR&TXV	23,400	0.72	13.00	16.00		
	EHD4X24A**	*8MX*0451408**	TDR&TXV	23,400	0.72	13.00	16.00		
	EHD4X24A**	*9MPV050	TDR&TXV	23,400	0.72	12.50	15.50		
	EHD4X24A**	*9MPV075	TDR&TXV	23,400	0.72	12.50	15.50		
	EHD4X24A**	*9MPV100	TDR&TXV	23,400	0.72	12.50	15.50		
	EHD4X24A**	*9MPV125	TDR&TXV	23,400	0.72	13.00	16.00		
	EHD4X24A**	*9MVX040	TDR&TXV	23,400	0.72	12.50	15.50		
	EHD4X24A**	*9MVX060	TDR&TXV	23,400	0.72	12.50	15.50		
	EHD4X24A**	*9MVX080	TDR&TXV	23,400	0.72	13.00	16.00		
EHD4X24A**	*9MVX100	TDR&TXV	23,400	0.72	13.00	16.00			
EHD4X24A**	MV08B15**B*	TDR&TXV	23,400	0.72	13.00	16.00			
EHD4X24A**	MV12F19**B*	TDR&TXV	23,400	0.72	13.00	16.00			
EHD4X24A**	NOMV106D12*	TDR&TXV	23,400	0.72	13.00	16.00			
EHD4X24A**	†	TXV	23,400	0.72	11.50		14.00		
EHD4X30A**	*8MPV050	TDR&TXV	23,600	0.72	12.50	15.50			
EHD4X30A**	*8MPV075	TDR&TXV	23,600	0.72	13.00	16.00			
EHD4X30A**	*8MPV100	TDR&TXV	23,600	0.72	13.00	16.00			
EHD4X30A**	*8MPV125	TDR&TXV	23,600	0.72	13.00	16.00			
EHD4X30A**	*8MV*0701412**	TDR&TXV	23,600	0.72	13.00	16.00			
EHD4X30A**	*8MV*0901716**	TDR&TXV	23,600	0.72	13.00	16.00			
EHD4X30A**	*8MV*1102120**	TDR&TXV	23,600	0.72	13.00	16.00			
EHD4X30A**	*8MV*1352422**	TDR&TXV	23,600	0.72	13.00	16.00			
EHD4X30A**	*8MX*0451408**	TDR&TXV	23,600	0.72	13.00	16.00			
EHD4X30A**	*9MPV050	TDR&TXV	23,600	0.72	12.50	15.50			
EHD4X30A**	*9MPV075	TDR&TXV	23,600	0.72	12.50	15.50			
EHD4X30A**	*9MPV100	TDR&TXV	23,600	0.72	13.00	16.00			

2009 ENERGY STAR compliance for combinations with both: SEER 14.50 or higher and EER 12.00 or higher.

† For coils not listed with a matching furnace or blower, coil rating applies with any indoor blower device.

- continued on next page -

COOLING PERFORMANCE FOR COMBINATION RATINGS (continued) Indoor Models

For complete ratings information, use the AHRI website directory search: www.AHRIdirectory.org.
New ratings may be listed online before Specification Sheets are updated.

Outdoor Model	Current Indoor Model († tested combo)	Furnace Model	Factory Installed	Cooling 95° F (35° C)			SEER		
				BTU/hr	S/T	EER	factory	w/ field TDR	w/ field TXV
NXA624GKA (continued)	EHD4X30A**	*9MPV125	TDR&TXV	23,600	0.72	13.00	16.00		
	EHD4X30A**	*9MVX040	TDR&TXV	23,600	0.72	12.50	15.50		
	EHD4X30A**	*9MVX060	TDR&TXV	23,600	0.72	12.50	15.50		
	EHD4X30A**	*9MVX080	TDR&TXV	23,600	0.72	13.00	16.00		
	EHD4X30A**	*9MVX100	TDR&TXV	23,600	0.72	13.00	16.00		
	EHD4X30A**	MV08B15**B*	TDR&TXV	23,600	0.72	13.00	16.00		
	EHD4X30A**	MV12F19**B*	TDR&TXV	23,600	0.72	13.00	16.00		
	EHD4X30A**	NOMV106D12*	TDR&TXV	23,600	0.72	13.00	16.00		
	EHD4X30A**	†	TXV	23,600	0.72	11.50		14.00	
	EMA4X24D**	†	TXV	23,400	0.72	11.50		14.00	
	EN(A,D)4X24*14**	*8MV*0701412**	TDR&TXV	23,400	0.72	13.00	16.00		
	EN(A,D)4X24*14**	*8MX*0451408**	TDR&TXV	23,400	0.72	12.50	15.50		
	EN(A,D)4X24*14**	†	TXV	23,400	0.72	11.50		14.00	
	EN(A,D)4X24*17**	*8MPV050	TDR&TXV	23,400	0.72	12.50	15.40		
	EN(A,D)4X24*17**	*8MV*0701412**	TDR&TXV	23,400	0.72	13.00	16.00		
	EN(A,D)4X24*17**	*8MV*0901716**	TDR&TXV	23,400	0.72	13.00	16.00		
	EN(A,D)4X24*17**	*8MX*0451408**	TDR&TXV	23,400	0.72	12.50	15.50		
	EN(A,D)4X24*17**	MV08B15**B*	TDR&TXV	23,400	0.72	13.00	16.00		
	EN(A,D)4X24*17**	NOMV106D12*	TDR&TXV	23,400	0.72	12.50	15.50		
	EN(A,D)4X24*17**	†	TXV	23,400	0.72	11.50		14.00	
	EN(A,D)4X30*14**	*8MV*0701412**	TDR&TXV	23,600	0.72	13.00	16.00		
	EN(A,D)4X30*14**	*8MX*0451408**	TDR&TXV	23,600	0.72	13.00	16.00		
	EN(A,D)4X30*14**	†	TXV	23,600	0.72	12.00		14.50	
	EN(A,D)4X30*17**	*8MPV050	TDR&TXV	23,600	0.72	12.50	15.50		
	EN(A,D)4X30*17**	*8MV*0701412**	TDR&TXV	23,600	0.72	13.00	16.00		
	EN(A,D)4X30*17**	*8MV*0901716**	TDR&TXV	23,600	0.72	13.00	16.00		
	EN(A,D)4X30*17**	*8MX*0451408**	TDR&TXV	23,600	0.72	13.00	16.00		
	EN(A,D)4X30*17**	MV08B15**B*	TDR&TXV	23,600	0.72	13.00	16.00		
	EN(A,D)4X30*17**	NOMV106D12*	TDR&TXV	23,600	0.72	13.00	16.00		
	EN(A,D)4X30*17**	†	TXV	23,600	0.72	12.00		14.50	
	EN(A,D)4X31*17**	*8MPV050	TDR&TXV	23,600	0.72	13.00	16.00		
	EN(A,D)4X31*17**	*8MV*0701412**	TDR&TXV	23,600	0.72	13.00	16.00		
	EN(A,D)4X31*17**	*8MV*0901716**	TDR&TXV	23,600	0.72	13.00	16.00		
	EN(A,D)4X31*17**	*8MX*0451408**	TDR&TXV	23,600	0.72	13.00	16.00		
	EN(A,D)4X31*17**	MV08B15**B*	TDR&TXV	23,600	0.72	13.00	16.00		
	EN(A,D)4X31*17**	NOMV106D12*	TDR&TXV	23,600	0.72	13.00	16.00		
	ENH4X24*17**	*8MPV050	TDR&TXV	23,400	0.72	12.50	15.00		
	ENH4X24*17**	*8MPV075	TDR&TXV	23,400	0.72	12.50	15.50		
	ENH4X24*17**	*8MPV100	TDR&TXV	23,400	0.72	13.00	16.00		
	ENH4X24*17**	*8MPV125	TDR&TXV	23,400	0.72	13.00	16.00		
	ENH4X24*17**	*8MV*0701412**	TDR&TXV	23,400	0.72	13.00	16.00		
	ENH4X24*17**	*8MV*0901716**	TDR&TXV	23,400	0.72	13.00	16.00		
	ENH4X24*17**	*8MV*1102120**	TDR&TXV	23,400	0.72	13.00	16.00		
	ENH4X24*17**	*8MV*1352422**	TDR&TXV	23,400	0.72	13.00	16.00		
	ENH4X24*17**	*8MX*0451408**	TDR&TXV	23,400	0.72	12.50	15.50		
	ENH4X24*17**	*9MPV050	TDR&TXV	23,400	0.72	12.50	15.50		
	ENH4X24*17**	*9MPV075	TDR&TXV	23,400	0.72	12.50	15.50		
	ENH4X24*17**	*9MPV100	TDR&TXV	23,400	0.72	12.50	15.50		
	ENH4X24*17**	*9MPV125	TDR&TXV	23,400	0.72	12.50	15.50		
	ENH4X24*17**	*9MVX040	TDR&TXV	23,400	0.72	12.50	15.50		
ENH4X24*17**	*9MVX060	TDR&TXV	23,400	0.72	12.50	15.50			
ENH4X24*17**	*9MVX080	TDR&TXV	23,400	0.72	12.50	15.50			
ENH4X24*17**	*9MVX100	TDR&TXV	23,400	0.72	12.50	15.50			
ENH4X24*17**	MV08B15**B*	TDR&TXV	23,400	0.72	13.00	16.00			
ENH4X24*17**	MV12F19**B*	TDR&TXV	23,400	0.72	13.00	16.00			
ENH4X24*17**	NOMV106D12*	TDR&TXV	23,400	0.72	12.50	15.50			
ENH4X24*17**	†	TXV	23,400	0.72	11.50		14.00		
ENH4X30*17**	*8MPV050	TDR&TXV	23,600	0.72	12.50	15.50			
ENH4X30*17**	*8MPV075	TDR&TXV	23,600	0.72	13.00	16.00			

2009 ENERGY STAR compliance for combinations with both: SEER 14.50 or higher and EER 12.00 or higher.
† For coils not listed with a matching furnace or blower, coil rating applies with any indoor blower device.

- continued on next page -

COOLING PERFORMANCE FOR COMBINATION RATINGS (continued) Indoor Models

For complete ratings information, use the AHRI website directory search: www.AHRI.org.
New ratings may be listed online before Specification Sheets are updated.

Outdoor Model	Current Indoor Model († tested combo)	Furnace Model	Factory Installed	Cooling 95° F (35° C)			SEER		
				BTU/hr	S/T	EER	factory	w/ field TDR	w/ field TXV
NXA624GKA (continued)	ENH4X30*17**	*8MPV100	TDR&TXV	23,600	0.72	13.00	16.00		
	ENH4X30*17**	*8MPV125	TDR&TXV	23,600	0.72	13.00	16.00		
	ENH4X30*17**	*8MV*0701412**	TDR&TXV	23,600	0.72	13.00	16.00		
	ENH4X30*17**	*8MV*0901716**	TDR&TXV	23,600	0.72	13.00	16.00		
	ENH4X30*17**	*8MV*1102120**	TDR&TXV	23,600	0.72	13.00	16.00		
	ENH4X30*17**	*8MV*1352422**	TDR&TXV	23,600	0.72	13.00	16.00		
	ENH4X30*17**	*8MX*0451408**	TDR&TXV	23,600	0.72	13.00	16.00		
	ENH4X30*17**	*9MPV050	TDR&TXV	23,600	0.72	12.50	15.50		
	ENH4X30*17**	*9MPV075	TDR&TXV	23,600	0.72	12.50	15.50		
	ENH4X30*17**	*9MPV100	TDR&TXV	23,600	0.72	13.00	16.00		
	ENH4X30*17**	*9MPV125	TDR&TXV	23,600	0.72	13.00	16.00		
	ENH4X30*17**	*9MVX040	TDR&TXV	23,600	0.72	12.50	15.50		
	ENH4X30*17**	*9MVX060	TDR&TXV	23,600	0.72	12.50	15.50		
	ENH4X30*17**	*9MVX080	TDR&TXV	23,600	0.72	13.00	16.00		
	ENH4X30*17**	*9MVX100	TDR&TXV	23,600	0.72	13.00	16.00		
	ENH4X30*17**	MV08B15**B*	TDR&TXV	23,600	0.72	13.00	16.00		
	ENH4X30*17**	MV12F19**B*	TDR&TXV	23,600	0.72	13.00	16.00		
	ENH4X30*17**	NOMV106D12*	TDR&TXV	23,600	0.72	13.00	16.00		
	ENH4X30*17**	†	TXV	23,600	0.72	12.00		14.50	
	ENH4X31*17**	*8MPV050	TDR&TXV	23,600	0.72	13.00	16.00		
	ENH4X31*17**	*8MPV075	TDR&TXV	23,600	0.72	13.00	16.00		
	ENH4X31*17**	*8MPV100	TDR&TXV	23,600	0.72	13.00	16.00		
	ENH4X31*17**	*8MPV125	TDR&TXV	23,600	0.72	13.00	16.00		
	ENH4X31*17**	*8MV*0701412**	TDR&TXV	23,600	0.72	13.00	16.00		
	ENH4X31*17**	*8MV*0901716**	TDR&TXV	23,600	0.72	13.00	16.00		
	ENH4X31*17**	*8MV*1102120**	TDR&TXV	23,600	0.72	13.00	16.00		
	ENH4X31*17**	*8MV*1352422**	TDR&TXV	23,600	0.72	13.00	16.00		
	ENH4X31*17**	*8MX*0451408**	TDR&TXV	23,600	0.72	13.00	16.00		
	ENH4X31*17**	*9MPV050	TDR&TXV	23,600	0.72	13.00	16.00		
	ENH4X31*17**	*9MPV075	TDR&TXV	23,600	0.72	13.00	16.00		
	ENH4X31*17**	*9MPV100	TDR&TXV	23,600	0.72	13.00	16.00		
	ENH4X31*17**	*9MPV125	TDR&TXV	23,600	0.72	13.00	16.00		
	ENH4X31*17**	*9MVX040	TDR&TXV	23,600	0.72	13.00	16.00		
	ENH4X31*17**	*9MVX060	TDR&TXV	23,600	0.72	13.00	16.00		
	ENH4X31*17**	*9MVX080	TDR&TXV	23,600	0.72	13.00	16.00		
	ENH4X31*17**	*9MVX100	TDR&TXV	23,600	0.72	13.00	16.00		
	ENH4X31*17**	MV08B15**B*	TDR&TXV	23,600	0.72	13.00	16.00		
	ENH4X31*17**	MV12F19**B*	TDR&TXV	23,600	0.72	13.00	16.00		
	ENH4X31*17**	NOMV106D12*	TDR&TXV	23,600	0.72	13.00	16.00		
	ENH4X31*17**	†	TXV	23,600	0.72	12.00		14.50	
	FEA4X24**A*	—	TDR&TXV	23,400	0.72	12.50	15.50		
	FEA4X30**A*	—	TDR&TXV	23,600	0.72	12.50	15.50		
	FEA4X36**A*	—	TDR&TXV	23,800	0.72	12.50	15.50		
	FEM4P24**A*+TXV	—	TDR	23,400	0.72	12.50	14.50		15.00
	FEM4P30**A*+TXV	—	TDR	23,600	0.72	13.00	15.50		16.00
FEM4P36**A*+TXV	—	TDR	23,800	0.72	11.50	13.50		14.00	
FEM4X24****	—	TDR&TXV	23,400	0.72	12.50	15.50			
FEM4X30****	—	TDR&TXV	23,600	0.72	13.00	16.00			
FS(M,U)4P24**A*+TXV	—	TDR	23,400	0.72	12.50	14.50		15.00	
FS(M,U)4P30**A*+TXV	—	TDR	23,600	0.72	12.50	14.50		15.00	
FS(M,U)4X24****	—	TDR&TXV	23,400	0.72	11.50	14.00			
FS(M,U)4X30****	—	TDR&TXV	23,600	0.72	12.00	14.50			
FSA4X24**A*	—	TDR&TXV	23,400	0.72	11.50	14.00			
FSA4X30**A*	—	TDR&TXV	23,600	0.72	11.50	14.00			
FVM4X24****	—	TDR&TXV	23,800	0.72	13.00	16.00			
FVM4X36****	—	TDR&TXV	24,200	0.72	13.00	16.00			
FXM4X24**A*	—	TDR&TXV	23,800	0.72	13.00	16.00			
FXM4X30**A*	—	TDR&TXV	24,000	0.72	12.50	15.50			
FXM4X36**A*	—	TDR&TXV	24,200	0.72	13.00	16.00			

2009 ENERGY STAR compliance for combinations with both: SEER 14.50 or higher and EER 12.00 or higher.
† For coils not listed with a matching furnace or blower, coil rating applies with any indoor blower device.

- continued on next page -

COOLING PERFORMANCE FOR COMBINATION RATINGS (continued) Indoor Models

For complete ratings information, use the AHRI website directory search: www.AHRIdirectory.org.
New ratings may be listed online before Specification Sheets are updated.

Outdoor Model	Current Indoor Model († tested combo)	Furnace Model	Factory Installed	Cooling 95° F (35° C)			SEER		
				BTU/hr	S/T	EER	factory	w/ field TDR	w/ field TXV
NXA630GKA	‡EN(A,D)4X31*17**	†	TXV	28,600	0.73	12.00		14.50	
	ED*4X30B**	*8MPV050	TDR&TXV	28,400	0.73	12.00	14.50		
	ED*4X30B**	MV08B15**B*	TDR&TXV	28,400	0.73	13.00	16.00		
	ED*4X30B**	†	TXV	28,400	0.73	11.50		14.00	
	ED*4X30F**	*8MPV075	TDR&TXV	28,400	0.73	12.50	15.00		
	ED*4X30F**	*9MPV050	TDR&TXV	28,400	0.73	12.50	15.00		
	ED*4X30F**	*9MPV075	TDR&TXV	28,400	0.73	12.50	15.00		
	ED*4X30F**	*9MVX040	TDR&TXV	28,400	0.73	12.50	15.00		
	ED*4X30F**	*9MVX060	TDR&TXV	28,400	0.73	12.50	15.00		
	ED*4X30F**	MV12F19**B*	TDR&TXV	28,400	0.73	13.00	16.00		
	ED*4X30F**	†	TXV	28,400	0.73	11.50		14.00	
	ED*4X36B**	*8MPV050	TDR&TXV	28,600	0.73	12.00	14.50		
	ED*4X36B**	MV08B15**B*	TDR&TXV	28,600	0.73	13.00	16.00		
	ED*4X36B**	†	TXV	28,600	0.73	11.50		14.00	
	ED*4X36F**	*8MPV075	TDR&TXV	28,600	0.73	12.50	15.00		
	ED*4X36F**	*9MPV050	TDR&TXV	28,600	0.73	12.50	15.00		
	ED*4X36F**	*9MPV075	TDR&TXV	28,600	0.73	12.50	15.00		
	ED*4X36F**	*9MVX040	TDR&TXV	28,600	0.73	12.50	15.00		
	ED*4X36F**	*9MVX060	TDR&TXV	28,600	0.73	12.50	15.00		
	ED*4X36F**	MV12F19**B*	TDR&TXV	28,600	0.73	13.00	16.00		
	ED*4X36F**	†	TXV	28,600	0.73	11.50		14.00	
	ED*4X36J**	*8MPV100	TDR&TXV	28,600	0.73	13.00	16.00		
	ED*4X36J**	*8MPV125	TDR&TXV	28,600	0.73	13.00	16.00		
	ED*4X36J**	*9MPV100	TDR&TXV	28,600	0.73	12.50	15.50		
	ED*4X36J**	*9MVX080	TDR&TXV	28,600	0.73	12.50	15.50		
	ED*4X36J**	†	TXV	28,600	0.73	11.50		14.00	
	ED*4X42F**	*8MPV050	TDR&TXV	28,800	0.73	12.00	14.50		
	ED*4X42F**	*8MPV075	TDR&TXV	28,800	0.73	12.50	15.50		
	ED*4X42F**	*8MV*0901716**	TDR&TXV	28,800	0.73	13.00	16.00		
	ED*4X42F**	*8MX*0701716**	TDR&TXV	28,800	0.73	12.50	15.50		
	ED*4X42F**	*9MPV050	TDR&TXV	28,800	0.73	12.50	15.00		
	ED*4X42F**	*9MPV075	TDR&TXV	28,800	0.73	12.50	15.00		
	ED*4X42F**	*9MVX040	TDR&TXV	28,800	0.73	12.50	15.00		
	ED*4X42F**	*9MVX060	TDR&TXV	28,800	0.73	12.50	15.00		
	ED*4X42F**	MV08B15**B*	TDR&TXV	28,800	0.73	13.00	16.00		
	ED*4X42F**	MV12F19**B*	TDR&TXV	28,800	0.73	13.00	16.00		
	ED*4X42F**	NOMV106D12*	TDR&TXV	28,800	0.73	13.00	16.00		
	ED*4X42F**	†	TXV	28,800	0.73	11.50		14.00	
	ED*4X42J**	*8MPV075	TDR&TXV	28,800	0.73	12.50	15.50		
	ED*4X42J**	*8MPV100	TDR&TXV	28,800	0.73	13.00	16.00		
	ED*4X42J**	*8MPV125	TDR&TXV	28,800	0.73	13.00	16.00		
	ED*4X42J**	*8MV*1102120**	TDR&TXV	28,800	0.73	13.00	16.00		
ED*4X42J**	*8MX*0902116**	TDR&TXV	28,800	0.73	13.00	16.00			
ED*4X42J**	*8MX*1102120**	TDR&TXV	28,800	0.73	13.00	16.00			
ED*4X42J**	*9MPV050	TDR&TXV	28,800	0.73	12.50	15.00			
ED*4X42J**	*9MPV075	TDR&TXV	28,800	0.73	12.50	15.00			
ED*4X42J**	*9MPV100	TDR&TXV	28,800	0.73	12.50	15.00			
ED*4X42J**	*9MVX040	TDR&TXV	28,800	0.73	12.50	15.00			
ED*4X42J**	*9MVX060	TDR&TXV	28,800	0.73	12.50	15.00			
ED*4X42J**	*9MVX080	TDR&TXV	28,800	0.73	13.00	16.00			
ED*4X42J**	MV12F19**B*	TDR&TXV	28,800	0.73	13.00	16.00			
ED*4X42J**	MV16J22**B*	TDR&TXV	28,800	0.73	13.00	16.00			
ED*4X42J**	NOMV156E19*	TDR&TXV	28,800	0.73	13.00	16.00			
ED*4X42J**	†	TXV	28,800	0.73	11.50		14.00		
ED*4X42L**	*8MPV100	TDR&TXV	28,800	0.73	13.00	16.00			
ED*4X42L**	*8MPV125	TDR&TXV	28,800	0.73	13.00	16.00			
ED*4X42L**	*8MV*1102120**	TDR&TXV	28,800	0.73	13.00	16.00			
ED*4X42L**	*8MV*1352422**	TDR&TXV	28,800	0.73	13.00	16.00			
ED*4X42L**	*8MX*0902116**	TDR&TXV	28,800	0.73	13.00	16.00			

2009 ENERGY STAR compliance for combinations with both: SEER 14.50 or higher and EER 12.00 or higher.
† For coils not listed with a matching furnace or blower, coil rating applies with any indoor blower device.

- continued on next page -

COOLING PERFORMANCE FOR COMBINATION RATINGS (continued) Indoor Models

For complete ratings information, use the AHRI website directory search: www.AHRI.org.
New ratings may be listed online before Specification Sheets are updated.

Outdoor Model	Current Indoor Model († tested combo)	Furnace Model	Factory Installed	Cooling 95° F (35° C)			SEER		
				BTU/hr	S/T	EER	factory	w/ field TDR	w/ field TXV
NXA630GKA (continued)	ED*4X42L**	*8MX*1102120**	TDR&TXV	28,800	0.73	13.00	16.00		
	ED*4X42L**	*9MPV100	TDR&TXV	28,800	0.73	13.00	16.00		
	ED*4X42L**	*9MPV125	TDR&TXV	28,800	0.73	13.00	16.00		
	ED*4X42L**	*9MVX080	TDR&TXV	28,800	0.73	13.00	16.00		
	ED*4X42L**	*9MVX100	TDR&TXV	28,800	0.73	13.00	16.00		
	ED*4X42L**	MV16J22**B*	TDR&TXV	28,800	0.73	13.00	16.00		
	ED*4X42L**	MV20L24**B*	TDR&TXV	28,800	0.73	13.00	16.00		
	ED*4X42L**	NOMV156E19*	TDR&TXV	28,800	0.73	13.00	16.00		
	ED*4X42L**	†	TXV	28,800	0.73	11.50		14.00	
	ED*4X48F**	*8MPV050	TDR&TXV	29,000	0.73	12.50	15.00		
	ED*4X48F**	*8MPV075	TDR&TXV	29,000	0.73	13.00	16.00		
	ED*4X48F**	*8MV*0901716**	TDR&TXV	29,000	0.73	13.00	16.00		
	ED*4X48F**	*8MX*0701716**	TDR&TXV	29,000	0.73	13.00	16.00		
	ED*4X48F**	*9MPV050	TDR&TXV	29,000	0.73	12.50	15.50		
	ED*4X48F**	*9MPV075	TDR&TXV	29,400	0.73	12.50	15.50		
	ED*4X48F**	*9MVX040	TDR&TXV	29,000	0.73	12.50	15.50		
	ED*4X48F**	*9MVX060	TDR&TXV	29,000	0.73	12.50	15.50		
	ED*4X48F**	MV08B15**B*	TDR&TXV	29,000	0.73	13.00	16.00		
	ED*4X48F**	MV12F19**B*	TDR&TXV	29,000	0.73	13.00	16.00		
	ED*4X48F**	NOMV106D12*	TDR&TXV	29,000	0.73	13.00	16.00		
	ED*4X48F**	†	TXV	29,000	0.73	12.00		14.50	
	ED*4X48J**	*8MPV075	TDR&TXV	29,000	0.73	13.00	16.00		
	ED*4X48J**	*8MPV100	TDR&TXV	29,000	0.73	13.00	16.00		
	ED*4X48J**	*8MPV125	TDR&TXV	29,000	0.73	13.00	16.00		
	ED*4X48J**	*8MV*1102120**	TDR&TXV	29,000	0.73	13.00	16.00		
	ED*4X48J**	*8MX*0902116**	TDR&TXV	29,000	0.73	13.00	16.00		
	ED*4X48J**	*8MX*1102120**	TDR&TXV	29,000	0.73	13.00	16.00		
	ED*4X48J**	*9MPV050	TDR&TXV	29,000	0.73	12.50	15.50		
	ED*4X48J**	*9MPV075	TDR&TXV	29,000	0.73	12.50	15.50		
	ED*4X48J**	*9MPV100	TDR&TXV	29,000	0.73	12.50	15.50		
	ED*4X48J**	*9MVX040	TDR&TXV	29,000	0.73	12.50	15.50		
	ED*4X48J**	*9MVX060	TDR&TXV	29,000	0.73	12.50	15.50		
	ED*4X48J**	*9MVX080	TDR&TXV	29,000	0.73	12.50	15.50		
	ED*4X48J**	MV12F19**B*	TDR&TXV	29,000	0.73	13.00	16.00		
	ED*4X48J**	MV16J22**B*	TDR&TXV	29,000	0.73	13.00	16.00		
	ED*4X48J**	NOMV156E19*	TDR&TXV	29,000	0.73	13.00	16.00		
	ED*4X48J**	†	TXV	29,000	0.73	12.00		14.50	
	ED*4X48L**	*8MPV100	TDR&TXV	29,000	0.73	13.00	16.00		
	ED*4X48L**	*8MPV125	TDR&TXV	29,000	0.73	13.00	16.00		
	ED*4X48L**	*8MV*1102120**	TDR&TXV	29,000	0.73	13.00	16.00		
	ED*4X48L**	*8MV*1352422**	TDR&TXV	29,000	0.73	13.00	16.00		
	ED*4X48L**	*8MX*0902116**	TDR&TXV	29,000	0.73	13.00	16.00		
	ED*4X48L**	*8MX*1102120**	TDR&TXV	29,000	0.73	13.00	16.00		
	ED*4X48L**	*9MPV100	TDR&TXV	29,000	0.73	13.00	16.00		
	ED*4X48L**	*9MPV125	TDR&TXV	29,800	0.73	13.00	16.00		
	ED*4X48L**	*9MVX080	TDR&TXV	29,000	0.73	13.00	16.00		
	ED*4X48L**	*9MVX100	TDR&TXV	29,000	0.73	13.00	16.00		
	ED*4X48L**	MV16J22**B*	TDR&TXV	29,000	0.73	13.00	16.00		
ED*4X48L**	MV20L24**B*	TDR&TXV	29,000	0.73	13.00	16.00			
ED*4X48L**	NOMV156E19*	TDR&TXV	29,000	0.73	13.00	16.00			
ED*4X48L**	†	TXV	29,000	0.73	12.00		14.50		
EHD4X30A**	*8MPV050	TDR&TXV	28,400	0.73	12.00	14.50			
EHD4X30A**	*8MPV075	TDR&TXV	28,400	0.73	12.50	15.50			
EHD4X30A**	*8MPV100	TDR&TXV	28,400	0.73	12.50	15.50			
EHD4X30A**	*8MPV125	TDR&TXV	28,400	0.73	12.50	15.50			
EHD4X30A**	*8MV*0701412**	TDR&TXV	28,400	0.73	13.25	15.50			
EHD4X30A**	*8MV*0901716**	TDR&TXV	28,400	0.73	12.50	15.50			
EHD4X30A**	*8MV*1102120**	TDR&TXV	28,400	0.73	12.50	15.50			
EHD4X30A**	*8MV*1352422**	TDR&TXV	28,400	0.73	12.50	15.50			

2009 ENERGY STAR compliance for combinations with both: SEER 14.50 or higher and EER 12.00 or higher.
† For coils not listed with a matching furnace or blower, coil rating applies with any indoor blower device.

- continued on next page -

COOLING PERFORMANCE FOR COMBINATION RATINGS (continued) Indoor Models

For complete ratings information, use the AHRI website directory search: www.AHRI.com/directory.org.
New ratings may be listed online before Specification Sheets are updated.

Outdoor Model	Current Indoor Model († tested combo)	Furnace Model	Factory Installed	Cooling 95° F (35° C)			SEER		
				BTU/hr	S/T	EER	factory	w/ field TDR	w/ field TXV
NXA630GKA (continued)	EHD4X30A**	*8MX*0701716**	TDR&TXV	28,400	0.73	12.50	15.50		
	EHD4X30A**	*8MX*0902116**	TDR&TXV	28,400	0.73	12.50	15.50		
	EHD4X30A**	*9MPV050	TDR&TXV	28,400	0.73	12.50	15.00		
	EHD4X30A**	*9MPV075	TDR&TXV	28,400	0.73	12.50	15.00		
	EHD4X30A**	*9MPV100	TDR&TXV	28,400	0.73	12.50	15.00		
	EHD4X30A**	*9MPV125	TDR&TXV	28,400	0.73	12.50	15.00		
	EHD4X30A**	*9MVX040	TDR&TXV	28,400	0.73	12.50	15.00		
	EHD4X30A**	*9MVX060	TDR&TXV	28,400	0.73	12.50	15.00		
	EHD4X30A**	*9MVX080	TDR&TXV	28,400	0.73	12.50	15.50		
	EHD4X30A**	*9MVX100	TDR&TXV	28,400	0.73	12.50	15.50		
	EHD4X30A**	MV08B15**B*	TDR&TXV	28,400	0.73	13.00	16.00		
	EHD4X30A**	MV12F19**B*	TDR&TXV	28,400	0.73	13.00	16.00		
	EHD4X30A**	NOMV106D12*	TDR&TXV	28,400	0.73	12.50	15.50		
	EHD4X30A**	†	TXV	28,400	0.73	11.50		14.00	
	EHD4X36A**	*8MPV050	TDR&TXV	28,600	0.73	12.50	15.00		
	EHD4X36A**	*8MPV075	TDR&TXV	28,600	0.73	12.50	15.50		
	EHD4X36A**	*8MPV100	TDR&TXV	28,600	0.73	13.00	16.00		
	EHD4X36A**	*8MPV125	TDR&TXV	28,600	0.73	13.00	16.00		
	EHD4X36A**	*8MV*0701412**	TDR&TXV	28,600	0.73	13.00	16.00		
	EHD4X36A**	*8MV*0901716**	TDR&TXV	28,600	0.73	13.00	16.00		
	EHD4X36A**	*8MV*1102120**	TDR&TXV	28,600	0.73	13.00	16.00		
	EHD4X36A**	*8MV*1352422**	TDR&TXV	28,600	0.73	13.00	16.00		
	EHD4X36A**	*8MX*0701716**	TDR&TXV	28,600	0.73	12.50	15.50		
	EHD4X36A**	*8MX*0902116**	TDR&TXV	28,600	0.73	13.00	16.00		
	EHD4X36A**	*9MPV050	TDR&TXV	28,600	0.73	12.50	15.50		
	EHD4X36A**	*9MPV075	TDR&TXV	28,600	0.73	12.50	15.50		
	EHD4X36A**	*9MPV100	TDR&TXV	28,600	0.73	13.00	16.00		
	EHD4X36A**	*9MPV125	TDR&TXV	28,600	0.73	13.00	16.00		
	EHD4X36A**	*9MVX040	TDR&TXV	28,600	0.73	12.50	15.50		
	EHD4X36A**	*9MVX060	TDR&TXV	28,600	0.73	12.50	15.50		
	EHD4X36A**	*9MVX080	TDR&TXV	28,600	0.73	13.00	16.00		
	EHD4X36A**	*9MVX100	TDR&TXV	28,600	0.73	13.00	16.00		
	EHD4X36A**	MV08B15**B*	TDR&TXV	28,600	0.73	13.00	16.00		
	EHD4X36A**	MV12F19**B*	TDR&TXV	28,600	0.73	13.00	16.00		
	EHD4X36A**	NOMV106D12*	TDR&TXV	28,600	0.73	13.00	16.00		
	EHD4X36A**	†	TXV	28,600	0.73	11.50		14.00	
	EMA4X36D**	†	TXV	28,600	0.73	11.50		14.00	
	EN(A,D)4X30*14**	*8MV*0701412**	TDR&TXV	28,400	0.73	12.50	15.50		
	EN(A,D)4X30*14**		TXV	28,400	0.73	11.50		14.00	
	EN(A,D)4X30*17**	*8MPV050	TDR&TXV	28,400	0.73	12.00	14.50		
	EN(A,D)4X30*17**	*8MV*0701412**	TDR&TXV	28,400	0.73	12.50	15.50		
	EN(A,D)4X30*17**	*8MV*0901716**	TDR&TXV	28,400	0.73	12.50	15.50		
	EN(A,D)4X30*17**	*8MX*0701716**	TDR&TXV	28,400	0.73	12.50	15.00		
	EN(A,D)4X30*17**	MV08B15**B*	TDR&TXV	28,400	0.73	12.50	15.50		
	EN(A,D)4X30*17**	NOMV106D12*	TDR&TXV	28,400	0.73	12.50	15.50		
EN(A,D)4X30*17**	†	TXV	28,400	0.73	11.50		14.00		
EN(A,D)4X31*17**	*8MPV050	TDR&TXV	28,400	0.73	12.50	15.00			
EN(A,D)4X31*17**	*8MV*0701412**	TDR&TXV	28,400	0.73	13.00	16.00			
EN(A,D)4X31*17**	*8MV*0901716**	TDR&TXV	28,400	0.73	13.00	16.00			
EN(A,D)4X31*17**	*8MX*0701716**	TDR&TXV	28,400	0.73	12.50	15.50			
EN(A,D)4X31*17**	MV08B15**B*	TDR&TXV	28,400	0.73	13.00	16.00			
EN(A,D)4X31*17**	NOMV106D12*	TDR&TXV	28,400	0.73	13.00	16.00			
EN(A,D)4X36*21**	*8MPV075	TDR&TXV	28,600	0.73	12.50	15.50			
EN(A,D)4X36*21**	*8MV*0901716**	TDR&TXV	28,600	0.73	12.50	15.50			
EN(A,D)4X36*21**	*8MV*1102120**	TDR&TXV	28,600	0.73	12.50	15.50			
EN(A,D)4X36*21**	*8MX*0701716**	TDR&TXV	28,600	0.73	12.50	15.50			
EN(A,D)4X36*21**	*8MX*0902116**	TDR&TXV	28,600	0.73	12.50	15.50			
EN(A,D)4X36*21**	*9MPV050	TDR&TXV	28,600	0.73	12.50	15.00			
EN(A,D)4X36*21**	*9MPV075	TDR&TXV	28,600	0.73	12.50	15.00			

2009 ENERGY STAR compliance for combinations with both: SEER 14.50 or higher and EER 12.00 or higher.
† For coils not listed with a matching furnace or blower, coil rating applies with any indoor blower device.

- continued on next page -

COOLING PERFORMANCE FOR COMBINATION RATINGS (continued) Indoor Models

For complete ratings information, use the AHRI website directory search: www.AHRI.org.
New ratings may be listed online before Specification Sheets are updated.

Outdoor Model	Current Indoor Model († tested combo)	Furnace Model	Factory Installed	Cooling 95° F (35° C)			SEER		
				BTU/hr	S/T	EER	factory	w/ field TDR	w/ field TXV
NXA630GKA (continued)	EN(A,D)4X36*21**	*9MVX040	TDR&TXV	28,600	0.73	12.50	15.00		
	EN(A,D)4X36*21**	*9MVX060	TDR&TXV	28,600	0.73	12.50	15.00		
	EN(A,D)4X36*21**	MV12F19**B*	TDR&TXV	28,600	0.73	12.50	15.50		
	EN(A,D)4X36*21**	NOMV106D12*	TDR&TXV	28,400	0.73	12.50	15.50		
	EN(A,D)4X36*21**	†	TXV	28,600	0.73	11.50		14.00	
	EN(A,D)4X37*17**	*8MPV050	TDR&TXV	28,800	0.73	12.50	15.00		
	EN(A,D)4X37*17**	*8MV*0701412**	TDR&TXV	28,800	0.73	13.00	16.00		
	EN(A,D)4X37*17**	*8MV*0901716**	TDR&TXV	28,800	0.73	13.00	16.00		
	EN(A,D)4X37*17**	*8MX*0701716**	TDR&TXV	28,800	0.73	13.00	16.00		
	EN(A,D)4X37*17**	MV08B15**B*	TDR&TXV	28,800	0.73	13.00	16.00		
	EN(A,D)4X37*17**	NOMV106D12*	TDR&TXV	28,800	0.73	13.00	16.00		
	EN(A,D)4X37*17**	†	TXV	28,800	0.73	12.00		14.50	
	EN(A,D,W)4X36*17**	*8MPV050	TDR&TXV	28,600	0.73	12.00	14.50		
	EN(A,D,W)4X36*17**	*8MV*0701412**	TDR&TXV	28,600	0.73	12.50	15.50		
	EN(A,D,W)4X36*17**	*8MV*0901716**	TDR&TXV	28,600	0.73	12.50	15.50		
	EN(A,D,W)4X36*17**	*8MX*0701716**	TDR&TXV	28,600	0.73	12.50	15.50		
	EN(A,D,W)4X36*17**	MV08B15**B*	TDR&TXV	28,600	0.73	12.50	15.50		
	EN(A,D,W)4X36*17**	NOMV106D12*	TDR&TXV	28,400	0.73	12.50	15.50		
	EN(A,D,W)4X36*17**	†	TXV	28,400	0.73	11.50		14.00	
	ENH4X30*17**	*8MPV050	TDR&TXV	28,400	0.73	12.00	14.50		
	ENH4X30*17**	*8MPV075	TDR&TXV	28,400	0.73	12.50	15.50		
	ENH4X30*17**	*8MPV100	TDR&TXV	28,400	0.73	12.50	15.50		
	ENH4X30*17**	*8MPV125	TDR&TXV	28,400	0.73	12.50	15.50		
	ENH4X30*17**	*8MV*0701412**	TDR&TXV	28,400	0.73	12.50	15.50		
	ENH4X30*17**	*8MV*0901716**	TDR&TXV	28,400	0.73	12.50	15.50		
	ENH4X30*17**	*8MV*1102120**	TDR&TXV	28,400	0.73	12.50	15.50		
	ENH4X30*17**	*8MV*1352422**	TDR&TXV	28,400	0.73	12.50	15.50		
	ENH4X30*17**	*8MX*0701716**	TDR&TXV	28,400	0.73	12.50	15.50		
	ENH4X30*17**	*8MX*0902116**	TDR&TXV	28,400	0.73	12.50	15.50		
	ENH4X30*17**	*9MPV050	TDR&TXV	28,400	0.73	12.50	15.00		
	ENH4X30*17**	*9MPV075	TDR&TXV	28,400	0.73	12.50	15.00		
	ENH4X30*17**	*9MPV100	TDR&TXV	28,400	0.73	12.50	15.50		
	ENH4X30*17**	*9MPV125	TDR&TXV	28,400	0.73	12.50	15.50		
	ENH4X30*17**	*9MVX040	TDR&TXV	28,400	0.73	12.50	15.00		
	ENH4X30*17**	*9MVX060	TDR&TXV	28,400	0.73	12.50	15.00		
	ENH4X30*17**	*9MVX080	TDR&TXV	28,400	0.73	12.50	15.50		
	ENH4X30*17**	*9MVX100	TDR&TXV	28,400	0.73	12.50	15.50		
	ENH4X30*17**	MV08B15**B*	TDR&TXV	28,400	0.73	13.00	16.00		
	ENH4X30*17**	MV12F19**B*	TDR&TXV	28,400	0.73	13.00	16.00		
	ENH4X30*17**	NOMV106D12*	TDR&TXV	28,400	0.73	12.50	15.50		
	ENH4X30*17**	†	TXV	28,400	0.73	11.50		14.00	
	ENH4X31*17**	*8MPV050	TDR&TXV	28,400	0.73	12.50	15.00		
	ENH4X31*17**	*8MPV075	TDR&TXV	28,400	0.73	12.50	15.50		
	ENH4X31*17**	*8MPV100	TDR&TXV	28,400	0.73	13.00	16.00		
	ENH4X31*17**	*8MPV125	TDR&TXV	28,400	0.73	13.00	16.00		
ENH4X31*17**	*8MV*0701412**	TDR&TXV	28,400	0.73	13.00	16.00			
ENH4X31*17**	*8MV*0901716**	TDR&TXV	28,400	0.73	13.00	16.00			
ENH4X31*17**	*8MV*1102120**	TDR&TXV	28,400	0.73	13.00	16.00			
ENH4X31*17**	*8MV*1352422**	TDR&TXV	28,400	0.73	13.00	16.00			
ENH4X31*17**	*8MX*0701716**	TDR&TXV	28,400	0.73	12.50	15.50			
ENH4X31*17**	*8MX*0902116**	TDR&TXV	28,400	0.73	13.00	16.00			
ENH4X31*17**	*9MPV050	TDR&TXV	28,400	0.73	12.50	15.50			
ENH4X31*17**	*9MPV075	TDR&TXV	28,400	0.73	12.50	15.50			
ENH4X31*17**	*9MPV100	TDR&TXV	28,400	0.73	13.00	16.00			
ENH4X31*17**	*9MPV125	TDR&TXV	28,400	0.73	13.00	16.00			
ENH4X31*17**	*9MVX040	TDR&TXV	28,400	0.73	12.50	15.50			
ENH4X31*17**	*9MVX060	TDR&TXV	28,400	0.73	12.50	15.50			
ENH4X31*17**	*9MVX080	TDR&TXV	28,400	0.73	13.00	16.00			
ENH4X31*17**	*9MVX100	TDR&TXV	28,400	0.73	13.00	16.00			

2009 ENERGY STAR compliance for combinations with both: SEER 14.50 or higher and EER 12.00 or higher.
† For coils not listed with a matching furnace or blower, coil rating applies with any indoor blower device.

- continued on next page -

COOLING PERFORMANCE FOR COMBINATION RATINGS (continued) Indoor Models

For complete ratings information, use the AHRI website directory search: www.AHRIdirectory.org.
New ratings may be listed online before Specification Sheets are updated.

Outdoor Model	Current Indoor Model (‡ tested combo)	Furnace Model	Factory Installed	Cooling 95° F (35° C)			SEER		
				BTU/hr	S/T	EER	factory	w/ field TDR	w/ field TXV
NXA630GKA (continued)	ENH4X31*17**	MV08B15**B*	TDR&TXV	28,400	0.73	13.00	16.00		
	ENH4X31*17**	MV12F19**B*	TDR&TXV	28,400	0.73	13.00	16.00		
	ENH4X31*17**	NOMV106D12*	TDR&TXV	28,400	0.73	13.00	16.00		
	ENH4X31*17**	†	TXV	28,400	0.73	12.00		14.50	
	ENH4X36*17**	*8MPV050	TDR&TXV	28,600	0.73	12.00	14.50		
	ENH4X36*17**	*8MPV075	TDR&TXV	28,600	0.73	12.50	15.50		
	ENH4X36*17**	*8MPV100	TDR&TXV	28,600	0.73	12.50	15.50		
	ENH4X36*17**	*8MPV125	TDR&TXV	28,600	0.73	12.50	15.50		
	ENH4X36*17**	*8MV*0701412**	TDR&TXV	28,600	0.73	12.50	15.50		
	ENH4X36*17**	*8MV*0901716**	TDR&TXV	28,600	0.73	12.50	15.50		
	ENH4X36*17**	*8MV*1102120**	TDR&TXV	28,600	0.73	12.50	15.50		
	ENH4X36*17**	*8MV*1352422**	TDR&TXV	28,600	0.73	12.50	15.50		
	ENH4X36*17**	*8MX*0701716**	TDR&TXV	28,600	0.73	12.50	15.50		
	ENH4X36*17**	*8MX*0902116**	TDR&TXV	28,600	0.73	12.50	15.50		
	ENH4X36*17**	*9MPV050	TDR&TXV	28,600	0.73	12.50	15.00		
	ENH4X36*17**	*9MPV075	TDR&TXV	28,600	0.73	12.50	15.00		
	ENH4X36*17**	*9MPV100	TDR&TXV	28,600	0.73	12.50	15.50		
	ENH4X36*17**	*9MPV125	TDR&TXV	28,600	0.73	12.50	15.50		
	ENH4X36*17**	*9MVX040	TDR&TXV	28,600	0.73	12.50	15.00		
	ENH4X36*17**	*9MVX060	TDR&TXV	28,600	0.73	12.50	15.00		
	ENH4X36*17**	*9MVX080	TDR&TXV	28,600	0.73	12.50	15.50		
	ENH4X36*17**	*9MVX100	TDR&TXV	28,800	0.73	12.50	15.50		
	ENH4X36*17**	MV08B15**B*	TDR&TXV	28,600	0.73	13.00	16.00		
	ENH4X36*17**	MV12F19**B*	TDR&TXV	28,600	0.73	13.00	16.00		
	ENH4X36*17**	NOMV106D12*	TDR&TXV	28,400	0.73	12.50	15.50		
	ENH4X36*17**	†	TXV	28,600	0.73	11.50		14.00	
	FEA4X30**A*	—	TDR&TXV	28,600	0.73	12.50	15.00		
	FEA4X36**A*	—	TDR&TXV	28,600	0.73	12.50	15.00		
	FEM4P30**A*+TXV	—	TDR	28,400	0.73	12.50	14.50		15.00
	FEM4P36**A*+TXV	—	TDR	28,600	0.73	12.50	14.50		15.00
	FEM4P42**A*+TXV	—	TDR	28,800	0.73	12.50	14.50		15.00
	FEM4X30****	—	TDR&TXV	28,400	0.73	12.50	15.00		
	FEM4X36****	—	TDR&TXV	28,600	0.73	12.50	15.00		
	FS(M,U)4P30**A*+TXV	—	TDR	28,400	0.73	12.50	14.50		15.00
	FS(M,U)4P36**A*+TXV	—	TDR	28,600	0.73	12.00	14.00		14.50
	FS(M,U)4X30****	—	TDR&TXV	28,400	0.73	11.50	14.00		
	FSA4X30**A*	—	TDR&TXV	28,400	0.73	11.50	14.00		
	FSA4X36**A*	—	TDR&TXV	28,600	0.73	12.00	14.00		
	FSM4X36****	—	TDR&TXV	28,600	0.73	12.00	14.50		
	FSU4X36****	—	TDR&TXV	28,600	0.73	11.50	14.00		
	FVM4X24****	—	TDR&TXV	28,400	0.73	13.00	16.00		
	FVM4X36****	—	TDR&TXV	28,600	0.73	13.00	16.00		
	FVM4X48****	—	TDR&TXV	28,800	0.73	13.00	16.00		
	FXM4X30**A*	—	TDR&TXV	28,600	0.73	12.50	15.50		
	FXM4X36**A*	—	TDR&TXV	28,800	0.73	13.00	16.00		
FXM4X42**A*	—	TDR&TXV	28,800	0.73	12.50	15.00			
NXA636GKA	‡EN(A,D)4X37*17**	†	TXV	34,400	0.74	12.00		14.50	
	ED*4X36B**	*8MPV050	TDR&TXV	33,000	0.74	11.50	14.00		
	ED*4X36B**	MV08B15**B*	TDR&TXV	33,200	0.74	12.50	15.00		
	ED*4X36B**	†	TXV	33,200	0.74	11.50		14.00	
	ED*4X36F**	*8MPV075	TDR&TXV	33,200	0.74	12.50	15.00		
	ED*4X36F**	*9MPV050	TDR&TXV	33,200	0.74	12.00	14.50		
	ED*4X36F**	*9MPV075	TDR&TXV	33,200	0.74	12.00	14.50		
	ED*4X36F**	*9MVX040	TDR&TXV	33,200	0.74	11.50	14.00		
	ED*4X36F**	*9MVX060	TDR&TXV	33,200	0.74	12.00	14.50		
	ED*4X36F**	MV12F19**B*	TDR&TXV	33,200	0.74	13.00	16.00		
	ED*4X36F**	†	TXV	33,200	0.74	11.50		14.00	
	ED*4X36J**	*8MPV100	TDR&TXV	33,200	0.74	12.50	15.50		
ED*4X36J**	*8MPV125	TDR&TXV	33,200	0.74	12.50	15.50			

2009 ENERGY STAR compliance for combinations with both: SEER 14.50 or higher and EER 12.00 or higher.
† For coils not listed with a matching furnace or blower, coil rating applies with any indoor blower device.

- continued on next page -

COOLING PERFORMANCE FOR COMBINATION RATINGS (continued) Indoor Models

For complete ratings information, use the AHRI website directory search: www.AHRI.org.
New ratings may be listed online before Specification Sheets are updated.

Outdoor Model	Current Indoor Model († tested combo)	Furnace Model	Factory Installed	Cooling 95° F (35° C)			SEER		
				BTU/hr	S/T	EER	factory	w/ field TDR	w/ field TXV
NXA636GKA (continued)	ED*4X36J**	*9MPV100	TDR&TXV	33,200	0.74	12.50	15.00		
	ED*4X36J**	*9MVX080	TDR&TXV	33,200	0.74	12.50	15.00		
	ED*4X36J**	MV16J22**B*	TDR&TXV	33,200	0.74	13.00	16.00		
	ED*4X36J**	†	TXV	33,200	0.74	11.50		14.00	
	ED*4X42F**	*8MPV075	TDR&TXV	33,600	0.74	12.50	15.00		
	ED*4X42F**	*9MPV050	TDR&TXV	33,600	0.74	12.00	14.50		
	ED*4X42F**	*9MPV075	TDR&TXV	33,600	0.74	12.00	14.50		
	ED*4X42F**	*9MVX040	TDR&TXV	33,600	0.74	12.00	14.50		
	ED*4X42F**	*9MVX060	TDR&TXV	33,600	0.74	12.00	14.50		
	ED*4X42F**	MV12F19**B*	TDR&TXV	33,600	0.74	13.00	16.00		
	ED*4X42F**	†	TXV	33,600	0.74	11.50		14.00	
	ED*4X42J**	*8MPV100	TDR&TXV	33,600	0.74	12.50	15.50		
	ED*4X42J**	*8MPV125	TDR&TXV	33,600	0.74	12.50	15.50		
	ED*4X42J**	*9MPV100	TDR&TXV	33,600	0.74	12.50	15.00		
	ED*4X42J**	*9MVX080	TDR&TXV	33,600	0.74	12.50	15.00		
	ED*4X42J**	MV16J22**B*	TDR&TXV	33,600	0.74	13.00	16.00		
	ED*4X42J**	†	TXV	33,600	0.74	11.50		14.00	
	ED*4X42L**	*8MV*1352422**	TDR&TXV	33,600	0.74	12.50	15.50		
	ED*4X42L**	*9MPV125	TDR&TXV	33,600	0.74	12.50	15.50		
	ED*4X42L**	*9MVX100	TDR&TXV	33,600	0.74	12.50	15.50		
	ED*4X42L**	MV20L24**B*	TDR&TXV	33,600	0.74	13.00	16.00		
	ED*4X42L**	†	TXV	33,600	0.74	11.50		14.00	
	ED*4X48F**	*8MPV075	TDR&TXV	34,200	0.74	12.50	15.50		
	ED*4X48F**	*8MV*0901716**	TDR&TXV	34,200	0.74	12.50	15.50		
	ED*4X48F**	*8MX*0701716**	TDR&TXV	34,200	0.74	12.50	15.50		
	ED*4X48F**	*9MPV075	TDR&TXV	34,200	0.74	12.50	15.00		
	ED*4X48F**	*9MVX060	TDR&TXV	34,200	0.74	12.50	15.00		
	ED*4X48F**	MV12F19**B*	TDR&TXV	34,200	0.74	13.00	16.00		
	ED*4X48F**	†	TXV	34,200	0.74	11.50		14.00	
	ED*4X48J**	*8MPV075	TDR&TXV	34,200	0.74	12.50	15.50		
	ED*4X48J**	*8MPV100	TDR&TXV	34,200	0.74	12.50	15.50		
	ED*4X48J**	*8MPV125	TDR&TXV	34,200	0.74	13.00	16.00		
	ED*4X48J**	*8MV*1102120**	TDR&TXV	34,200	0.74	13.00	16.00		
	ED*4X48J**	*8MX*0902116**	TDR&TXV	34,200	0.74	13.00	16.00		
	ED*4X48J**	*8MX*1102120**	TDR&TXV	34,200	0.74	13.00	16.00		
	ED*4X48J**	*9MPV075	TDR&TXV	34,200	0.74	12.50	15.00		
	ED*4X48J**	*9MPV100	TDR&TXV	34,200	0.74	12.50	15.00		
	ED*4X48J**	*9MVX060	TDR&TXV	34,200	0.74	12.50	15.00		
	ED*4X48J**	*9MVX080	TDR&TXV	34,200	0.74	12.50	15.50		
	ED*4X48J**	MV12F19**B*	TDR&TXV	34,200	0.74	13.00	16.00		
	ED*4X48J**	MV16J22**B*	TDR&TXV	34,200	0.74	13.00	16.00		
	ED*4X48J**	NOMV156E19*	TDR&TXV	34,000	0.74	12.50	15.50		
	ED*4X48J**	†	TXV	34,200	0.74	11.50		14.00	
	ED*4X48L**	*8MPV100	TDR&TXV	34,200	0.74	12.50	15.50		
	ED*4X48L**	*8MPV125	TDR&TXV	34,200	0.74	12.50	15.50		
	ED*4X48L**	*8MV*1102120**	TDR&TXV	34,200	0.74	13.00	16.00		
	ED*4X48L**	*8MV*1352422**	TDR&TXV	34,200	0.74	13.00	16.00		
	ED*4X48L**	*8MX*0902116**	TDR&TXV	34,200	0.74	13.00	16.00		
	ED*4X48L**	*8MX*1102120**	TDR&TXV	34,200	0.74	13.00	16.00		
	ED*4X48L**	*8MX*1352420**	TDR&TXV	34,200	0.74	12.50	15.50		
ED*4X48L**	*9MPV100	TDR&TXV	34,200	0.74	12.50	15.50			
ED*4X48L**	*9MPV125	TDR&TXV	34,200	0.74	12.50	15.50			
ED*4X48L**	*9MVX080	TDR&TXV	34,200	0.74	12.50	15.50			
ED*4X48L**	*9MVX100	TDR&TXV	34,200	0.74	12.50	15.50			
ED*4X48L**	MV16J22**B*	TDR&TXV	34,200	0.74	12.50	15.50			
ED*4X48L**	MV20L24**B*	TDR&TXV	34,200	0.74	12.50	15.50			
ED*4X48L**	NOMV156E19*	TDR&TXV	34,200	0.74	12.50	15.50			
ED*4X48L**	†	TXV	34,200	0.74	11.50		14.00		
ED*4X60J**	*8MPV075	TDR&TXV	34,600	0.74	12.50	15.50			

2009 ENERGY STAR compliance for combinations with both: SEER 14.50 or higher and EER 12.00 or higher.
† For coils not listed with a matching furnace or blower, coil rating applies with any indoor blower device.

- continued on next page -

COOLING PERFORMANCE FOR COMBINATION RATINGS (continued) Indoor Models

For complete ratings information, use the AHRI website directory search: www.AHRIdirectory.org.
New ratings may be listed online before Specification Sheets are updated.

Outdoor Model	Current Indoor Model († tested combo)	Furnace Model	Factory Installed	Cooling 95° F (35° C)			SEER		
				BTU/hr	S/T	EER	factory	w/ field TDR	w/ field TXV
NXA636GKA (continued)	ED*4X60J**	*8MPV100	TDR&TXV	34,600	0.74	13.00	16.00		
	ED*4X60J**	*8MPV125	TDR&TXV	34,600	0.74	13.00	16.00		
	ED*4X60J**	*8MV*1102120**	TDR&TXV	34,600	0.74	13.00	16.00		
	ED*4X60J**	*8MX*0902116**	TDR&TXV	34,600	0.74	13.00	16.00		
	ED*4X60J**	*8MX*1102120**	TDR&TXV	34,600	0.74	13.00	16.00		
	ED*4X60J**	*9MPV075	TDR&TXV	34,600	0.74	12.50	15.00		
	ED*4X60J**	*9MPV100	TDR&TXV	34,600	0.74	12.50	15.00		
	ED*4X60J**	*9MVX060	TDR&TXV	34,600	0.74	12.50	15.00		
	ED*4X60J**	*9MVX080	TDR&TXV	34,600	0.74	12.50	15.00		
	ED*4X60J**	MV12F19**B*	TDR&TXV	34,600	0.74	13.00	16.00		
	ED*4X60J**	MV16J22**B*	TDR&TXV	34,600	0.74	13.00	16.00		
	ED*4X60J**	NOMV156E19*	TDR&TXV	34,400	0.74	13.00	16.00		
	ED*4X60J**	†	TXV	34,600	0.74	12.00		14.50	
	ED*4X60L**	*8MPV100	TDR&TXV	34,600	0.74	13.00	16.00		
	ED*4X60L**	*8MPV125	TDR&TXV	34,600	0.74	13.00	16.00		
	ED*4X60L**	*8MV*1102120**	TDR&TXV	34,600	0.74	13.00	16.00		
	ED*4X60L**	*8MV*1352422**	TDR&TXV	34,600	0.74	13.00	16.00		
	ED*4X60L**	*8MX*0902116**	TDR&TXV	34,600	0.74	13.00	16.00		
	ED*4X60L**	*8MX*1102120**	TDR&TXV	34,600	0.74	13.00	16.00		
	ED*4X60L**	*8MX*1352420**	TDR&TXV	34,600	0.74	13.00	16.00		
	ED*4X60L**	*9MPV100	TDR&TXV	34,600	0.74	12.50	15.50		
	ED*4X60L**	*9MPV125	TDR&TXV	34,600	0.74	12.50	15.50		
	ED*4X60L**	*9MVX080	TDR&TXV	34,600	0.74	12.50	15.50		
	ED*4X60L**	*9MVX100	TDR&TXV	34,600	0.74	13.00	16.00		
	ED*4X60L**	MV16J22**B*	TDR&TXV	34,600	0.74	13.00	16.00		
	ED*4X60L**	MV20L24**B*	TDR&TXV	34,600	0.74	13.00	16.00		
	ED*4X60L**	NOMV156E19*	TDR&TXV	34,400	0.74	13.00	16.00		
	ED*4X60L**	†	TXV	34,600	0.74	12.00		14.50	
	EHD4X36A**	*8MPV050	TDR&TXV	33,200	0.74	12.00	14.50		
	EHD4X36A**	*8MPV075	TDR&TXV	33,200	0.74	12.50	15.00		
	EHD4X36A**	*8MPV100	TDR&TXV	33,200	0.74	12.50	15.50		
	EHD4X36A**	*8MPV125	TDR&TXV	33,200	0.74	12.50	15.50		
	EHD4X36A**	*8MV*0701412**	TDR&TXV	33,200	0.74	12.50	15.50		
	EHD4X36A**	*8MV*0901716**	TDR&TXV	33,200	0.74	12.50	15.50		
	EHD4X36A**	*8MV*1102120**	TDR&TXV	33,200	0.74	12.50	15.50		
	EHD4X36A**	*8MV*1352422**	TDR&TXV	33,200	0.74	12.50	15.50		
	EHD4X36A**	*8MX*0451408**	TDR&TXV	33,200	0.74	12.00	14.50		
	EHD4X36A**	*8MX*0701716**	TDR&TXV	33,200	0.74	12.50	15.00		
	EHD4X36A**	*8MX*0902116**	TDR&TXV	33,200	0.74	12.50	15.50		
	EHD4X36A**	*8MX*1102120**	TDR&TXV	33,200	0.74	12.50	15.50		
	EHD4X36A**	*9MPV050	TDR&TXV	33,200	0.74	12.00	14.50		
	EHD4X36A**	*9MPV075	TDR&TXV	33,200	0.74	12.50	15.00		
	EHD4X36A**	*9MPV100	TDR&TXV	33,200	0.74	12.50	15.50		
	EHD4X36A**	*9MPV125	TDR&TXV	33,200	0.74	12.50	15.50		
	EHD4X36A**	*9MVX040	TDR&TXV	33,200	0.74	12.00	14.50		
EHD4X36A**	*9MVX060	TDR&TXV	33,200	0.74	12.50	15.00			
EHD4X36A**	*9MVX080	TDR&TXV	33,200	0.74	12.50	15.00			
EHD4X36A**	*9MVX100	TDR&TXV	33,200	0.74	12.50	15.50			
EHD4X36A**	MV08B15**B*	TDR&TXV	33,200	0.74	13.00	16.00			
EHD4X36A**	MV12F19**B*	TDR&TXV	33,200	0.74	13.00	16.00			
EHD4X36A**	MV16J22**B*	TDR&TXV	33,200	0.74	13.00	16.00			
EHD4X36A**	MV20L24**B*	TDR&TXV	33,200	0.74	13.00	16.00			
EHD4X36A**	NOMV106D12*	TDR&TXV	33,200	0.74	12.50	15.50			
EHD4X36A**	NOMV156E19*	TDR&TXV	33,200	0.74	12.50	15.50			
EHD4X36A**	†	TXV	33,200	0.74	11.50		14.00		
EHD4X42A**	*8MPV050	TDR&TXV	33,600	0.74	12.00	14.50			
EHD4X42A**	*8MPV075	TDR&TXV	33,600	0.74	12.50	15.50			
EHD4X42A**	*8MPV100	TDR&TXV	33,600	0.74	12.50	15.50			
EHD4X42A**	*8MPV125	TDR&TXV	33,600	0.74	12.50	15.50			

2009 ENERGY STAR compliance for combinations with both: SEER 14.50 or higher and EER 12.00 or higher.
† For coils not listed with a matching furnace or blower, coil rating applies with any indoor blower device.

- continued on next page -

COOLING PERFORMANCE FOR COMBINATION RATINGS (continued) Indoor Models

For complete ratings information, use the AHRI website directory search: www.AHRI.org.
New ratings may be listed online before Specification Sheets are updated.

Outdoor Model	Current Indoor Model († tested combo)	Furnace Model	Factory Installed	Cooling 95° F (35° C)			SEER		
				BTU/hr	S/T	EER	factory	w/ field TDR	w/ field TXV
NXA636GKA (continued)	EHD4X42A**	*8MV*0701412**	TDR&TXV	33,600	0.74	12.50	15.50		
	EHD4X42A**	*8MV*0901716**	TDR&TXV	33,600	0.74	13.00	16.00		
	EHD4X42A**	*8MV*1102120**	TDR&TXV	33,600	0.74	13.00	16.00		
	EHD4X42A**	*8MV*1352422**	TDR&TXV	33,600	0.74	13.00	16.00		
	EHD4X42A**	*8MX*0451408**	TDR&TXV	33,600	0.74	12.00	14.50		
	EHD4X42A**	*8MX*0701716**	TDR&TXV	33,600	0.74	12.50	15.00		
	EHD4X42A**	*8MX*0902116**	TDR&TXV	33,600	0.74	13.00	16.00		
	EHD4X42A**	*8MX*1102120**	TDR&TXV	33,600	0.74	13.00	16.00		
	EHD4X42A**	*9MPV050	TDR&TXV	33,600	0.74	12.00	14.50		
	EHD4X42A**	*9MPV075	TDR&TXV	34,400	0.74	12.50	15.00		
	EHD4X42A**	*9MPV100	TDR&TXV	33,600	0.74	12.50	15.50		
	EHD4X42A**	*9MPV125	TDR&TXV	33,600	0.74	12.50	15.50		
	EHD4X42A**	*9MVX040	TDR&TXV	33,600	0.74	12.00	14.50		
	EHD4X42A**	*9MVX060	TDR&TXV	33,600	0.74	12.50	15.00		
	EHD4X42A**	*9MVX080	TDR&TXV	33,600	0.74	12.50	15.50		
	EHD4X42A**	*9MVX100	TDR&TXV	33,600	0.74	12.50	15.50		
	EHD4X42A**	MV08B15**B*	TDR&TXV	33,600	0.74	13.00	16.00		
	EHD4X42A**	MV12F19**B*	TDR&TXV	33,600	0.74	13.00	16.00		
	EHD4X42A**	MV16J22**B*	TDR&TXV	33,600	0.74	13.00	16.00		
	EHD4X42A**	MV20L24**B*	TDR&TXV	33,600	0.74	13.00	16.00		
	EHD4X42A**	NOMV106D12*	TDR&TXV	33,600	0.74	12.50	15.50		
	EHD4X42A**	NOMV156E19*	TDR&TXV	33,600	0.74	12.50	15.50		
	EHD4X42A**	†	TXV	33,600	0.74	12.00		14.50	
	EMA4X36D**	†	TXV	33,200	0.74	11.50		14.00	
	EN(A,D)4X36*21**	*8MPV075	TDR&TXV	33,200	0.74	12.50	15.00		
	EN(A,D)4X36*21**	*8MV*0901716**	TDR&TXV	33,200	0.74	12.50	15.50		
	EN(A,D)4X36*21**	*8MV*1102120**	TDR&TXV	33,200	0.74	12.50	15.50		
	EN(A,D)4X36*21**	*8MX*0701716**	TDR&TXV	33,200	0.74	12.50	15.00		
	EN(A,D)4X36*21**	*8MX*0902116**	TDR&TXV	33,200	0.74	12.50	15.50		
	EN(A,D)4X36*21**	*8MX*1102120**	TDR&TXV	33,200	0.74	12.50	15.50		
	EN(A,D)4X36*21**	*9MPV050	TDR&TXV	33,200	0.74	11.50	14.00		
	EN(A,D)4X36*21**	*9MPV075	TDR&TXV	33,200	0.74	11.50	14.00		
	EN(A,D)4X36*21**	*9MVX040	TDR&TXV	33,200	0.74	11.50	14.00		
	EN(A,D)4X36*21**	*9MVX060	TDR&TXV	33,200	0.74	12.00	14.50		
	EN(A,D)4X36*21**	MV12F19**B*	TDR&TXV	33,200	0.74	12.50	15.50		
	EN(A,D)4X36*21**	NOMV106D12*	TDR&TXV	33,200	0.74	12.50	15.00		
	EN(A,D)4X36*21**	NOMV156E19*	TDR&TXV	33,200	0.74	12.50	15.00		
	EN(A,D)4X36*21**	†	TXV	33,200	0.74	11.50		14.00	
	EN(A,D)4X37*17**	*8MPV050	TDR&TXV	34,400	0.74	12.00	14.50		
	EN(A,D)4X37*17**	*8MV*0701412**	TDR&TXV	34,400	0.74	12.50	15.50		
	EN(A,D)4X37*17**	*8MV*0901716**	TDR&TXV	34,400	0.74	12.50	15.50		
	EN(A,D)4X37*17**	*8MX*0451408**	TDR&TXV	34,400	0.74	12.50	15.00		
	EN(A,D)4X37*17**	*8MX*0701716**	TDR&TXV	34,400	0.74	12.50	15.50		
	EN(A,D)4X37*17**	MV08B15**B*	TDR&TXV	34,400	0.74	13.00	16.00		
	EN(A,D)4X37*17**	NOMV106D12*	TDR&TXV	34,400	0.74	12.50	15.50		
	EN(A,D)4X43*24**	*8MPV100	TDR&TXV	34,600	0.74	13.00	16.00		
	EN(A,D)4X43*24**	*8MPV125	TDR&TXV	34,600	0.74	13.00	16.00		
	EN(A,D)4X43*24**	*8MV*1102120**	TDR&TXV	34,600	0.74	13.00	16.00		
	EN(A,D)4X43*24**	*8MV*1352422**	TDR&TXV	34,600	0.74	13.00	16.00		
	EN(A,D)4X43*24**	*8MX*0902116**	TDR&TXV	34,600	0.74	13.00	16.00		
EN(A,D)4X43*24**	*8MX*1102120**	TDR&TXV	34,600	0.74	13.00	16.00			
EN(A,D)4X43*24**	*9MPV100	TDR&TXV	34,600	0.74	12.50	15.50			
EN(A,D)4X43*24**	*9MPV125	TDR&TXV	34,600	0.74	13.00	16.00			
EN(A,D)4X43*24**	*9MVX080	TDR&TXV	34,600	0.74	12.50	15.50			
EN(A,D)4X43*24**	*9MVX100	TDR&TXV	34,600	0.74	13.00	16.00			
EN(A,D)4X43*24**	MV16J22**B*	TDR&TXV	34,600	0.74	13.00	16.00			
EN(A,D)4X43*24**	MV20L24**B*	TDR&TXV	34,600	0.74	13.00	16.00			
EN(A,D)4X43*24**	NOMV156E19*	TDR&TXV	34,600	0.74	13.00	16.00			
EN(A,D)4X43*24**	†	TXV	34,600	0.74	12.00		14.50		

2009 ENERGY STAR compliance for combinations with both: SEER 14.50 or higher and EER 12.00 or higher.
† For coils not listed with a matching furnace or blower, coil rating applies with any indoor blower device.

- continued on next page -

COOLING PERFORMANCE FOR COMBINATION RATINGS (continued) Indoor Models

For complete ratings information, use the AHRI website directory search: www.AHRIdirectory.org.
New ratings may be listed online before Specification Sheets are updated.

Outdoor Model	Current Indoor Model († tested combo)	Furnace Model	Factory Installed	Cooling 95° F (35° C)			SEER		
				BTU/hr	S/T	EER	factory	w/ field TDR	w/ field TXV
NXA636GKA (continued)	EN(A,D,W)4X36*17**	*8MPV050	TDR&TXV	33,200	0.74	11.50	14.00		
	EN(A,D,W)4X36*17**	*8MV*0701412**	TDR&TXV	33,200	0.74	12.50	15.00		
	EN(A,D,W)4X36*17**	*8MV*0901716**	TDR&TXV	33,200	0.74	12.50	15.50		
	EN(A,D,W)4X36*17**	*8MX*0451408**	TDR&TXV	33,200	0.74	12.00	14.50		
	EN(A,D,W)4X36*17**	*8MX*0701716**	TDR&TXV	33,200	0.74	12.00	14.50		
	EN(A,D,W)4X36*17**	MV08B15**B*	TDR&TXV	33,200	0.74	12.50	15.50		
	EN(A,D,W)4X36*17**	NOMV106D12*	TDR&TXV	33,200	0.74	12.50	15.00		
	EN(A,D,W)4X36*17**	†	TXV	33,200	0.74	11.50		14.00	
	EN(A,D,W)4X42*21**	*8MPV075	TDR&TXV	34,000	0.74	12.50	15.00		
	EN(A,D,W)4X42*21**	*8MV*0901716**	TDR&TXV	33,800	0.74	12.50	15.50		
	EN(A,D,W)4X42*21**	*8MV*1102120**	TDR&TXV	33,800	0.74	12.50	15.50		
	EN(A,D,W)4X42*21**	*8MX*0701716**	TDR&TXV	33,800	0.74	12.50	15.00		
	EN(A,D,W)4X42*21**	*8MX*0902116**	TDR&TXV	34,000	0.74	12.50	15.50		
	EN(A,D,W)4X42*21**	*8MX*1102120**	TDR&TXV	34,000	0.74	12.50	15.50		
	EN(A,D,W)4X42*21**	*9MPV050	TDR&TXV	33,600	0.74	12.00	14.50		
	EN(A,D,W)4X42*21**	*9MPV075	TDR&TXV	33,800	0.74	12.00	14.50		
	EN(A,D,W)4X42*21**	*9MVX040	TDR&TXV	33,600	0.74	12.00	14.50		
	EN(A,D,W)4X42*21**	*9MVX060	TDR&TXV	33,800	0.74	12.00	14.50		
	EN(A,D,W)4X42*21**	MV12F19**B*	TDR&TXV	34,000	0.74	13.00	16.00		
	EN(A,D,W)4X42*21**	NOMV106D12*	TDR&TXV	33,600	0.74	12.50	15.00		
	EN(A,D,W)4X42*21**	NOMV156E19*	TDR&TXV	33,600	0.74	12.50	15.00		
	EN(A,D,W)4X42*21**	†	TXV	34,000	0.74	11.50		14.00	
	END4X42*17**	*8MPV050	TDR&TXV	33,800	0.74	12.00	14.50		
	END4X42*17**	*8MV*0701412**	TDR&TXV	34,000	0.74	12.50	15.50		
	END4X42*17**	*8MV*0901716**	TDR&TXV	34,000	0.74	12.50	15.50		
	END4X42*17**	*8MX*0451408**	TDR&TXV	34,000	0.74	12.00	14.50		
	END4X42*17**	*8MX*0701716**	TDR&TXV	34,000	0.74	12.50	15.00		
	END4X42*17**	MV08B15**B*	TDR&TXV	34,000	0.74	13.00	16.00		
	END4X42*17**	NOMV106D12*	TDR&TXV	33,800	0.74	12.50	15.50		
	END4X42*17**	†	TXV	34,000	0.74	11.50		14.00	
	ENH4X36*17**	*8MPV050	TDR&TXV	33,200	0.74	11.50	14.00		
	ENH4X36*17**	*8MPV075	TDR&TXV	33,200	0.74	12.50	15.00		
	ENH4X36*17**	*8MPV100	TDR&TXV	33,200	0.74	12.50	15.00		
	ENH4X36*17**	*8MPV125	TDR&TXV	33,200	0.74	12.50	15.00		
	ENH4X36*17**	*8MV*0701412**	TDR&TXV	33,200	0.74	12.50	15.00		
	ENH4X36*17**	*8MV*0901716**	TDR&TXV	33,200	0.74	12.50	15.00		
	ENH4X36*17**	*8MV*1102120**	TDR&TXV	33,200	0.74	12.50	15.00		
	ENH4X36*17**	*8MV*1352422**	TDR&TXV	33,200	0.74	12.50	15.00		
	ENH4X36*17**	*8MX*0451408**	TDR&TXV	33,200	0.74	12.00	14.50		
	ENH4X36*17**	*8MX*0701716**	TDR&TXV	33,200	0.74	12.00	14.50		
	ENH4X36*17**	*8MX*0902116**	TDR&TXV	33,200	0.74	12.50	15.00		
	ENH4X36*17**	*8MX*1102120**	TDR&TXV	33,200	0.74	12.50	15.00		
ENH4X36*17**	*9MPV050	TDR&TXV	33,200	0.74	11.50	14.00			
ENH4X36*17**	*9MPV075	TDR&TXV	33,200	0.74	12.00	14.50			
ENH4X36*17**	*9MPV100	TDR&TXV	33,200	0.74	12.50	15.00			
ENH4X36*17**	*9MPV125	TDR&TXV	33,200	0.74	12.50	15.00			
ENH4X36*17**	*9MVX040	TDR&TXV	33,200	0.74	11.50	14.00			
ENH4X36*17**	*9MVX060	TDR&TXV	33,200	0.74	12.00	14.50			
ENH4X36*17**	*9MVX080	TDR&TXV	33,200	0.74	12.50	15.00			
ENH4X36*17**	*9MVX100	TDR&TXV	33,200	0.74	12.50	15.00			
ENH4X36*17**	MV08B15**B*	TDR&TXV	33,200	0.74	12.50	15.50			
ENH4X36*17**	MV12F19**B*	TDR&TXV	33,200	0.74	12.50	15.50			
ENH4X36*17**	MV16J22**B*	TDR&TXV	33,200	0.74	12.50	15.50			
ENH4X36*17**	MV20L24**B*	TDR&TXV	33,200	0.74	12.50	15.50			
ENH4X36*17**	NOMV106D12*	TDR&TXV	33,200	0.74	12.50	15.00			
ENH4X36*17**	NOMV156E19*	TDR&TXV	33,200	0.74	12.50	15.00			
ENH4X36*17**	†	TXV	33,200	0.74	11.40		14.00		
ENH4X42*21**	*8MPV050	TDR&TXV	33,600	0.74	12.00	14.50			
ENH4X42*21**	*8MPV075	TDR&TXV	33,600	0.74	12.50	15.00			

2009 ENERGY STAR compliance for combinations with both: SEER 14.50 or higher and EER 12.00 or higher.
† For coils not listed with a matching furnace or blower, coil rating applies with any indoor blower device.

- continued on next page -

COOLING PERFORMANCE FOR COMBINATION RATINGS (continued) Indoor Models

For complete ratings information, use the AHRI website directory search: www.AHRIdirectory.org.
New ratings may be listed online before Specification Sheets are updated.

Outdoor Model	Current Indoor Model († tested combo)	Furnace Model	Factory Installed	Cooling 95° F (35° C)			SEER		
				BTU/hr	S/T	EER	factory	w/ field TDR	w/ field TXV
NXA636GKA (continued)	ENH4X42*21**	*8MPV100	TDR&TXV	33,600	0.74	12.50	15.50		
	ENH4X42*21**	*8MPV125	TDR&TXV	33,600	0.74	12.50	15.50		
	ENH4X42*21**	*8MV*0701412**	TDR&TXV	33,600	0.74	12.50	15.00		
	ENH4X42*21**	*8MV*0901716**	TDR&TXV	33,600	0.74	12.50	15.50		
	ENH4X42*21**	*8MV*1102120**	TDR&TXV	33,600	0.74	12.50	15.50		
	ENH4X42*21**	*8MV*1352422**	TDR&TXV	33,600	0.74	12.50	15.50		
	ENH4X42*21**	*8MX*0451408**	TDR&TXV	33,600	0.74	12.00	14.50		
	ENH4X42*21**	*8MX*0701716**	TDR&TXV	33,600	0.74	12.50	15.00		
	ENH4X42*21**	*8MX*0902116**	TDR&TXV	33,600	0.74	12.50	15.50		
	ENH4X42*21**	*8MX*1102120**	TDR&TXV	33,600	0.74	12.50	15.50		
	ENH4X42*21**	*9MPV050	TDR&TXV	33,600	0.74	12.00	14.50		
	ENH4X42*21**	*9MPV075	TDR&TXV	33,600	0.74	12.00	14.50		
	ENH4X42*21**	*9MPV100	TDR&TXV	33,600	0.74	12.50	15.00		
	ENH4X42*21**	*9MPV125	TDR&TXV	33,600	0.74	12.50	15.00		
	ENH4X42*21**	*9MVX040	TDR&TXV	33,600	0.74	12.00	14.50		
	ENH4X42*21**	*9MVX060	TDR&TXV	33,600	0.74	12.00	14.50		
	ENH4X42*21**	*9MVX080	TDR&TXV	33,600	0.74	12.50	15.00		
	ENH4X42*21**	*9MVX100	TDR&TXV	33,600	0.74	12.50	15.50		
	ENH4X42*21**	MV08B15**B*	TDR&TXV	33,600	0.74	12.50	15.50		
	ENH4X42*21**	MV12F19**B*	TDR&TXV	33,600	0.74	13.00	16.00		
	ENH4X42*21**	MV16J22**B*	TDR&TXV	33,600	0.74	13.00	16.00		
	ENH4X42*21**	MV20L24**B*	TDR&TXV	33,600	0.74	13.00	16.00		
	ENH4X42*21**	NOMV106D12*	TDR&TXV	33,600	0.74	12.50	15.00		
	ENH4X42*21**	NOMV156E19*	TDR&TXV	33,600	0.74	12.50	15.00		
	ENH4X42*21**	†	TXV	33,600	0.74	11.55		14.00	
	ENH4X43*21**	*8MPV050	TDR&TXV	33,600	0.74	12.00	14.50		
	ENH4X43*21**	*8MPV075	TDR&TXV	33,600	0.74	12.50	15.50		
	ENH4X43*21**	*8MPV100	TDR&TXV	33,600	0.74	13.00	16.00		
	ENH4X43*21**	*8MPV125	TDR&TXV	33,600	0.74	13.00	16.00		
	ENH4X43*21**	*8MV*0701412**	TDR&TXV	33,600	0.74	12.50	15.50		
	ENH4X43*21**	*8MV*0901716**	TDR&TXV	33,600	0.74	12.50	15.50		
	ENH4X43*21**	*8MV*1102120**	TDR&TXV	33,600	0.74	12.50	15.50		
	ENH4X43*21**	*8MV*1352422**	TDR&TXV	33,600	0.74	12.50	15.50		
	ENH4X43*21**	*8MX*0451408**	TDR&TXV	33,600	0.74	12.50	15.00		
	ENH4X43*21**	*8MX*0701716**	TDR&TXV	33,600	0.74	12.50	15.50		
	ENH4X43*21**	*8MX*0902116**	TDR&TXV	33,600	0.74	13.00	16.00		
	ENH4X43*21**	*8MX*1102120**	TDR&TXV	33,600	0.74	13.00	16.00		
	ENH4X43*21**	*9MPV050	TDR&TXV	33,600	0.74	12.50	15.00		
	ENH4X43*21**	*9MPV075	TDR&TXV	33,600	0.74	12.50	15.00		
	ENH4X43*21**	*9MPV100	TDR&TXV	33,600	0.74	12.50	15.50		
	ENH4X43*21**	*9MPV125	TDR&TXV	33,600	0.74	12.50	15.50		
	ENH4X43*21**	*9MVX040	TDR&TXV	33,600	0.74	12.50	15.00		
	ENH4X43*21**	*9MVX060	TDR&TXV	33,600	0.74	12.50	15.00		
	ENH4X43*21**	*9MVX080	TDR&TXV	33,600	0.74	12.50	15.50		
	ENH4X43*21**	*9MVX100	TDR&TXV	33,600	0.74	12.50	15.50		
ENH4X43*21**	MV08B15**B*	TDR&TXV	33,600	0.74	13.00	16.00			
ENH4X43*21**	MV12F19**B*	TDR&TXV	33,600	0.74	13.00	16.00			
ENH4X43*21**	MV16J22**B*	TDR&TXV	33,600	0.74	13.00	16.00			
ENH4X43*21**	MV20L24**B*	TDR&TXV	33,600	0.74	13.00	16.00			
ENH4X43*21**	NOMV106D12*	TDR&TXV	33,600	0.74	13.00	16.00			
ENH4X43*21**	NOMV156E19*	TDR&TXV	33,600	0.74	13.00	16.00			
ENH4X43*21**	†	TXV	33,600	0.74	12.00		14.50		
FEA4X36**A*	—	TDR&TXV	33,600	0.74	11.50	14.00			
FEM4P36**A*†TXV	—	TDR	33,400	0.74	12.00	14.00		14.50	
FEM4P42**A*†TXV	—	TDR	34,000	0.74	12.50	15.00		15.50	
FEM4P48**A*†TXV	—	TDR	34,000	0.74	12.50	15.00		15.50	
FEM4X36****	—	TDR&TXV	34,400	0.74	12.50	15.00			
FEM4X42****	—	TDR&TXV	34,400	0.74	12.50	15.00			
FS(M,U)4P36**A*†TXV	—	TDR	33,400	0.74	12.00	14.00		14.50	

2009 ENERGY STAR compliance for combinations with both: SEER 14.50 or higher and EER 12.00 or higher.

† For coils not listed with a matching furnace or blower, coil rating applies with any indoor blower device.

- continued on next page -

COOLING PERFORMANCE FOR COMBINATION RATINGS (continued) Indoor Models

For complete ratings information, use the AHRI website directory search: www.AHRI.directory.org.
New ratings may be listed online before Specification Sheets are updated.

Outdoor Model	Current Indoor Model († tested combo)	Furnace Model	Factory Installed	Cooling 95° F (35° C)			SEER		
				BTU/hr	S/T	EER	factory	w/ field TDR	w/ field TXV
NXA636GKA (continued)	FS(M,U)4P42**A*+TXV	—	TDR	34,000	0.74	12.00	14.00		14.50
	FS(M,U)4X42****	—	TDR&TXV	34,000	0.74	11.50	14.00		
	FSA4X36**A*	—	TDR&TXV	33,400	0.74	11.50	14.00		
	FSM4X36****	—	TDR&TXV	34,000	0.74	11.50	14.00		
	FSU4X36****	—	TDR&TXV	33,400	0.74	11.50	14.00		
	FVM4X24****	—	TDR&TXV	33,400	0.74	12.50	15.00		
	FVM4X36****	—	TDR&TXV	33,600	0.74	13.00	16.00		
	FVM4X48****	—	TDR&TXV	34,000	0.74	13.00	16.00		
	FVM4X60****	—	TDR&TXV	34,400	0.74	13.00	16.00		
	FXM4X36**A*	—	TDR&TXV	34,200	0.74	13.00	16.00		
FXM4X42**A*	—	TDR&TXV	34,200	0.74	13.00	16.00			
FXM4X48**A*	—	TDR&TXV	34,600	0.74	12.50	15.00			
NXA642GKA	‡EN(A,D)4X43*24**	†	TXV	41,500	0.72	12.00		14.50	
	ED*4X42F**	*8MPV075	TDR&TXV	40,000	0.72	12.00	14.50		
	ED*4X42F**	*9MPV075	TDR&TXV	40,000	0.72	11.50	14.00		
	ED*4X42F**	*9MVX060	TDR&TXV	40,000	0.72	12.00	14.50		
	ED*4X42F**	MV12F19**B*	TDR&TXV	40,000	0.72	12.50	15.50		
	ED*4X42F**	†	TXV	40,000	0.72	11.50		14.00	
	ED*4X42J**	*8MPV100	TDR&TXV	40,000	0.72	12.50	15.00		
	ED*4X42J**	*8MPV125	TDR&TXV	40,000	0.72	12.50	15.00		
	ED*4X42J**	*9MPV100	TDR&TXV	40,000	0.72	12.50	15.00		
	ED*4X42J**	*9MVX080	TDR&TXV	40,000	0.72	12.50	15.00		
	ED*4X42J**	MV16J22**B*	TDR&TXV	40,000	0.72	13.00	16.00		
	ED*4X42J**	†	TXV	40,000	0.72	11.50		14.00	
	ED*4X42L**	*8MV*1352422**	TDR&TXV	40,000	0.72	12.50	15.50		
	ED*4X42L**	*8MX*1352420**	TDR&TXV	40,000	0.72	12.50	15.50		
	ED*4X42L**	*9MPV125	TDR&TXV	40,000	0.72	12.50	15.00		
	ED*4X42L**	*9MVX100	TDR&TXV	40,000	0.72	12.50	15.00		
	ED*4X42L**	MV20L24**B*	TDR&TXV	40,000	0.72	13.00	16.00		
	ED*4X42L**	†	TXV	40,000	0.72	11.50		14.00	
	ED*4X48F**	*8MPV075	TDR&TXV	40,500	0.72	12.00	14.50		
	ED*4X48F**	*9MPV075	TDR&TXV	40,500	0.72	12.00	14.50		
	ED*4X48F**	*9MVX060	TDR&TXV	40,500	0.72	12.00	14.50		
	ED*4X48F**	MV12F19**B*	TDR&TXV	40,500	0.72	13.00	16.00		
	ED*4X48F**	†	TXV	40,500	0.72	12.00		14.50	
	ED*4X48J**	*8MPV100	TDR&TXV	40,500	0.72	12.50	15.50		
	ED*4X48J**	*8MPV125	TDR&TXV	40,500	0.72	12.50	15.50		
	ED*4X48J**	*9MPV100	TDR&TXV	40,500	0.72	12.50	15.00		
	ED*4X48J**	*9MVX080	TDR&TXV	40,500	0.72	12.50	15.00		
	ED*4X48J**	MV16J22**B*	TDR&TXV	40,500	0.72	13.00	16.00		
	ED*4X48J**	†	TXV	40,500	0.72	12.00		14.50	
	ED*4X48L**	*8MV*1352422**	TDR&TXV	40,500	0.72	12.50	15.50		
	ED*4X48L**	*8MX*1352420**	TDR&TXV	40,500	0.72	12.50	15.50		
	ED*4X48L**	*9MPV125	TDR&TXV	40,500	0.72	12.50	15.50		
	ED*4X48L**	*9MVX100	TDR&TXV	40,500	0.72	12.50	15.50		
	ED*4X48L**	MV20L24**B*	TDR&TXV	40,500	0.72	13.00	16.00		
	ED*4X48L**	†	TXV	40,500	0.72	12.00		14.50	
	ED*4X60J**	*8MPV075	TDR&TXV	41,500	0.72	12.50	15.00		
	ED*4X60J**	*8MPV100	TDR&TXV	41,500	0.72	12.50	15.50		
	ED*4X60J**	*8MPV125	TDR&TXV	41,500	0.72	13.00	16.00		
	ED*4X60J**	*8MV*1102120**	TDR&TXV	41,500	0.72	13.00	16.00		
	ED*4X60J**	*8MX*0902116**	TDR&TXV	41,500	0.72	13.00	16.00		
ED*4X60J**	*8MX*1102120**	TDR&TXV	41,500	0.72	13.00	16.00			
ED*4X60J**	*9MPV075	TDR&TXV	41,500	0.72	12.00	14.50			
ED*4X60J**	*9MPV100	TDR&TXV	41,500	0.72	12.50	15.50			
ED*4X60J**	*9MVX060	TDR&TXV	41,500	0.72	12.50	15.00			
ED*4X60J**	*9MVX080	TDR&TXV	41,500	0.72	12.50	15.50			
ED*4X60J**	MV12F19**B*	TDR&TXV	41,500	0.72	13.00	16.00			
ED*4X60J**	MV16J22**B*	TDR&TXV	41,500	0.72	13.00	16.00			

2009 ENERGY STAR compliance for combinations with both: SEER 14.50 or higher and EER 12.00 or higher.
† For coils not listed with a matching furnace or blower, coil rating applies with any indoor blower device.

- continued on next page -

COOLING PERFORMANCE FOR COMBINATION RATINGS (continued) Indoor Models

For complete ratings information, use the AHRI website directory search: www.AHRI.org.
New ratings may be listed online before Specification Sheets are updated.

Outdoor Model	Current Indoor Model († tested combo)	Furnace Model	Factory Installed	Cooling 95° F (35° C)			SEER		
				BTU/hr	S/T	EER	factory	w/ field TDR	w/ field TXV
NXA642GKA (continued)	ED*4X60J**	NOMV156E19*	TDR&TXV	41,500	0.72	13.00	16.00		
	ED*4X60J**	†	TXV	41,500	0.72	12.00		14.50	
	ED*4X60L**	*8MPV100	TDR&TXV	41,500	0.72	12.50	15.50		
	ED*4X60L**	*8MPV125	TDR&TXV	41,500	0.72	12.50	15.50		
	ED*4X60L**	*8MV*1102120**	TDR&TXV	41,500	0.72	13.00	16.00		
	ED*4X60L**	*8MV*1352422**	TDR&TXV	41,500	0.72	13.00	16.00		
	ED*4X60L**	*8MX*0902116**	TDR&TXV	41,500	0.72	13.00	16.00		
	ED*4X60L**	*8MX*1102120**	TDR&TXV	41,500	0.72	13.00	16.00		
	ED*4X60L**	*8MX*1352420**	TDR&TXV	41,500	0.72	13.00	16.00		
	ED*4X60L**	*9MPV100	TDR&TXV	41,500	0.72	12.50	15.50		
	ED*4X60L**	*9MPV125	TDR&TXV	41,500	0.72	12.50	15.50		
	ED*4X60L**	*9MVX080	TDR&TXV	41,500	0.72	12.50	15.50		
	ED*4X60L**	*9MVX100	TDR&TXV	41,500	0.72	12.50	15.50		
	ED*4X60L**	MV16J22**B*	TDR&TXV	41,500	0.72	13.00	16.00		
	ED*4X60L**	MV20L24**B*	TDR&TXV	41,500	0.72	13.00	16.00		
	ED*4X60L**	NOMV156E19*	TDR&TXV	41,500	0.72	12.50	15.50		
	ED*4X60L**	†	TXV	41,500	0.72	12.00		14.50	
	EHD4X42A**	*8MPV075	TDR&TXV	40,500	0.72	12.50	15.00		
	EHD4X42A**	*8MPV100	TDR&TXV	40,500	0.72	12.50	15.50		
	EHD4X42A**	*8MPV125	TDR&TXV	40,500	0.72	12.50	15.50		
	EHD4X42A**	*8MV*0701412**	TDR&TXV	40,500	0.72	12.50	15.00		
	EHD4X42A**	*8MV*0901716**	TDR&TXV	40,500	0.72	12.50	15.50		
	EHD4X42A**	*8MV*1102120**	TDR&TXV	40,500	0.72	12.50	15.50		
	EHD4X42A**	*8MV*1352422**	TDR&TXV	40,500	0.72	13.00	16.00		
	EHD4X42A**	*8MX*0701716**	TDR&TXV	40,500	0.72	12.00	14.50		
	EHD4X42A**	*8MX*0902116**	TDR&TXV	40,500	0.72	12.50	15.50		
	EHD4X42A**	*8MX*1102120**	TDR&TXV	40,500	0.72	13.00	16.00		
	EHD4X42A**	*8MX*1352420**	TDR&TXV	40,500	0.72	12.50	15.50		
	EHD4X42A**	*9MPV075	TDR&TXV	40,500	0.72	12.00	14.50		
	EHD4X42A**	*9MPV100	TDR&TXV	40,500	0.72	12.50	15.00		
	EHD4X42A**	*9MPV125	TDR&TXV	40,500	0.72	12.50	15.00		
	EHD4X42A**	*9MVX060	TDR&TXV	40,500	0.72	12.00	14.50		
	EHD4X42A**	*9MVX080	TDR&TXV	40,500	0.72	12.50	15.00		
	EHD4X42A**	*9MVX100	TDR&TXV	40,500	0.72	12.50	15.50		
	EHD4X42A**	MV12F19**B*	TDR&TXV	40,500	0.72	13.00	16.00		
	EHD4X42A**	MV16J22**B*	TDR&TXV	40,500	0.72	13.00	16.00		
	EHD4X42A**	MV20L24**B*	TDR&TXV	40,500	0.72	13.00	16.00		
	EHD4X42A**	NOMV156E19*	TDR&TXV	40,500	0.72	12.50	15.50		
	EHD4X42A**	†	TXV	40,500	0.72	12.00		14.50	
	EHD4X48A**	*8MPV075	TDR&TXV	41,000	0.72	12.50	15.00		
	EHD4X48A**	*8MPV100	TDR&TXV	41,000	0.72	12.50	15.50		
	EHD4X48A**	*8MPV125	TDR&TXV	41,000	0.72	12.50	15.50		
EHD4X48A**	*8MV*0701412**	TDR&TXV	41,000	0.72	12.50	15.00			
EHD4X48A**	*8MV*0901716**	TDR&TXV	41,000	0.72	12.50	15.50			
EHD4X48A**	*8MV*1102120**	TDR&TXV	41,000	0.72	12.50	15.50			
EHD4X48A**	*8MV*1352422**	TDR&TXV	41,000	0.72	13.00	16.00			
EHD4X48A**	*8MX*0701716**	TDR&TXV	41,000	0.72	12.00	14.50			
EHD4X48A**	*8MX*0902116**	TDR&TXV	41,000	0.72	12.50	15.50			
EHD4X48A**	*8MX*1102120**	TDR&TXV	41,000	0.72	12.50	15.50			
EHD4X48A**	*8MX*1352420**	TDR&TXV	41,000	0.72	12.50	15.50			
EHD4X48A**	*9MPV075	TDR&TXV	41,000	0.72	12.00	14.50			
EHD4X48A**	*9MPV100	TDR&TXV	41,000	0.72	12.50	15.50			
EHD4X48A**	*9MPV125	TDR&TXV	41,000	0.72	12.50	15.50			
EHD4X48A**	*9MVX060	TDR&TXV	41,000	0.72	12.00	14.50			
EHD4X48A**	*9MVX080	TDR&TXV	41,000	0.72	12.50	15.50			
EHD4X48A**	*9MVX100	TDR&TXV	41,000	0.72	12.50	15.50			
EHD4X48A**	MV12F19**B*	TDR&TXV	41,000	0.72	13.60	16.00			
EHD4X48A**	MV16J22**B*	TDR&TXV	41,000	0.72	13.00	16.00			
EHD4X48A**	MV20L24**B*	TDR&TXV	41,000	0.72	13.00	16.00			

2009 ENERGY STAR compliance for combinations with both: SEER 14.50 or higher and EER 12.00 or higher.

† For coils not listed with a matching furnace or blower, coil rating applies with any indoor blower device.

- continued on next page -

COOLING PERFORMANCE FOR COMBINATION RATINGS (continued) Indoor Models

For complete ratings information, use the AHRI website directory search: www.AHRI.com/directory.org.
New ratings may be listed online before Specification Sheets are updated.

Outdoor Model	Current Indoor Model († tested combo)	Furnace Model	Factory Installed	Cooling 95° F (35° C)			SEER		
				BTU/hr	S/T	EER	factory	w/ field TDR	w/ field TXV
NXA642GKA (continued)	EHD4X48A**	NOMV156E19*	TDR&TXV	41,000	0.72	12.50	15.50		
	EHD4X48A**	†	TXV	41,000	0.72	12.00		14.50	
	EMA4X48D**	†	TXV	40,500	0.72	11.50		14.00	
	EN(A,D)4X43*24**	*8MPV100	TDR&TXV	41,500	0.72	13.00	16.00		
	EN(A,D)4X43*24**	*8MPV125	TDR&TXV	41,500	0.72	13.00	16.00		
	EN(A,D)4X43*24**	*8MV*1102120**	TDR&TXV	41,500	0.72	13.00	16.00		
	EN(A,D)4X43*24**	*8MV*1352422**	TDR&TXV	41,500	0.72	13.00	16.00		
	EN(A,D)4X43*24**	*8MX*0902116**	TDR&TXV	41,500	0.72	13.00	16.00		
	EN(A,D)4X43*24**	*8MX*1102120**	TDR&TXV	41,500	0.72	13.00	16.00		
	EN(A,D)4X43*24**	*8MX*1352420**	TDR&TXV	41,500	0.72	13.00	16.00		
	EN(A,D)4X43*24**	*9MPV100	TDR&TXV	41,500	0.72	12.50	15.50		
	EN(A,D)4X43*24**	*9MPV125	TDR&TXV	41,500	0.72	12.50	15.50		
	EN(A,D)4X43*24**	*9MVX080	TDR&TXV	41,500	0.72	12.50	15.50		
	EN(A,D)4X43*24**	*9MVX100	TDR&TXV	41,500	0.72	12.50	15.50		
	EN(A,D)4X43*24**	MV16J22**B*	TDR&TXV	41,500	0.72	13.00	16.00		
	EN(A,D)4X43*24**	MV20L24**B*	TDR&TXV	41,500	0.72	13.00	16.00		
	EN(A,D)4X43*24**	NOMV156E19*	TDR&TXV	41,500	0.72	13.00	16.00		
	EN(A,D)4X48*24**	*8MPV100	TDR&TXV	41,000	0.72	12.50	15.50		
	EN(A,D)4X48*24**	*8MPV125	TDR&TXV	41,000	0.72	12.50	15.50		
	EN(A,D)4X48*24**	*8MV*1102120**	TDR&TXV	41,000	0.72	12.50	15.50		
	EN(A,D)4X48*24**	*8MV*1352422**	TDR&TXV	41,000	0.72	13.00	16.00		
	EN(A,D)4X48*24**	*8MX*0902116**	TDR&TXV	41,000	0.72	12.50	15.50		
	EN(A,D)4X48*24**	*8MX*1102120**	TDR&TXV	41,000	0.72	13.00	16.00		
	EN(A,D)4X48*24**	*8MX*1352420**	TDR&TXV	41,000	0.72	12.50	15.50		
	EN(A,D)4X48*24**	*9MPV100	TDR&TXV	41,000	0.72	12.50	15.50		
	EN(A,D)4X48*24**	*9MPV125	TDR&TXV	41,000	0.72	12.50	15.50		
	EN(A,D)4X48*24**	*9MVX080	TDR&TXV	41,000	0.72	12.50	15.00		
	EN(A,D)4X48*24**	*9MVX100	TDR&TXV	41,000	0.72	12.50	15.50		
	EN(A,D)4X48*24**	MV16J22**B*	TDR&TXV	41,000	0.72	13.00	16.00		
	EN(A,D)4X48*24**	MV20L24**B*	TDR&TXV	41,000	0.72	13.00	16.00		
	EN(A,D)4X48*24**	NOMV156E19*	TDR&TXV	41,000	0.72	12.50	15.50		
	EN(A,D)4X48*24**	†	TXV	41,000	0.72	12.00	14.50		
	EN(A,D,W)4X42*21**	*8MPV075	TDR&TXV	40,000	0.72	12.00	14.50		
	EN(A,D,W)4X42*21**	*8MV*0901716**	TDR&TXV	40,000	0.72	12.50	15.00		
	EN(A,D,W)4X42*21**	*8MV*1102120**	TDR&TXV	40,000	0.72	12.50	15.00		
	EN(A,D,W)4X42*21**	*8MX*0701716**	TDR&TXV	40,000	0.72	12.00	14.50		
	EN(A,D,W)4X42*21**	*8MX*0902116**	TDR&TXV	40,000	0.72	12.50	15.00		
	EN(A,D,W)4X42*21**	*8MX*1102120**	TDR&TXV	40,000	0.72	12.50	15.00		
	EN(A,D,W)4X42*21**	*9MPV075	TDR&TXV	40,000	0.72	11.50	14.00		
	EN(A,D,W)4X42*21**	*9MVX060	TDR&TXV	40,000	0.72	12.00	14.50		
	EN(A,D,W)4X42*21**	MV12F19**B*	TDR&TXV	40,000	0.72	12.50	15.50		
	EN(A,D,W)4X42*21**	NOMV156E19*	TDR&TXV	40,000	0.72	12.50	15.00		
EN(A,D,W)4X42*21**	†	TXV	40,000	0.72	11.50		14.00		
EN(A,D,W)4X48*21**	*8MPV075	TDR&TXV	41,000	0.72	12.50	15.00			
EN(A,D,W)4X48*21**	*8MV*0901716**	TDR&TXV	41,000	0.72	12.50	15.50			
EN(A,D,W)4X48*21**	*8MV*1102120**	TDR&TXV	41,000	0.72	12.50	15.50			
EN(A,D,W)4X48*21**	*8MX*0701716**	TDR&TXV	41,000	0.72	12.00	14.50			
EN(A,D,W)4X48*21**	*8MX*0902116**	TDR&TXV	41,000	0.72	12.50	15.50			
EN(A,D,W)4X48*21**	*8MX*1102120**	TDR&TXV	41,000	0.72	12.50	15.50			
EN(A,D,W)4X48*21**	*9MPV075	TDR&TXV	41,000	0.72	12.00	14.50			
EN(A,D,W)4X48*21**	*9MVX060	TDR&TXV	41,000	0.72	12.00	14.50			
EN(A,D,W)4X48*21**	MV12F19**B*	TDR&TXV	41,000	0.72	13.00	16.00			
EN(A,D,W)4X48*21**	NOMV156E19*	TDR&TXV	41,000	0.72	12.50	15.50			
EN(A,D,W)4X48*21**	†	TXV	41,000	0.72	12.00		14.50		
END4X42*17**	*8MV*0701412**	TDR&TXV	40,500	0.72	12.50	15.00			
END4X42*17**	*8MV*0901716**	TDR&TXV	40,500	0.72	12.50	15.00			
END4X42*17**	*8MX*0701716**	TDR&TXV	40,500	0.72	12.00	14.50			
END4X42*17**	†	TXV	40,500	0.72	11.50		14.00		
ENH4X42*21**	*8MPV075	TDR&TXV	40,000	0.72	12.00	14.50			

2009 ENERGY STAR compliance for combinations with both: SEER 14.50 or higher and EER 12.00 or higher.
† For coils not listed with a matching furnace or blower, coil rating applies with any indoor blower device.

- continued on next page -

COOLING PERFORMANCE FOR COMBINATION RATINGS (continued) Indoor Models

For complete ratings information, use the AHRI website directory search: www.AHRIdirectory.org.
New ratings may be listed online before Specification Sheets are updated.

Outdoor Model	Current Indoor Model († tested combo)	Furnace Model	Factory Installed	Cooling 95° F (35° C)			SEER		
				BTU/hr	S/T	EER	factory	w/ field TDR	w/ field TXV
NXA642GKA (continued)	ENH4X42*21**	*8MPV100	TDR&TXV	40,000	0.72	12.50	15.00		
	ENH4X42*21**	*8MPV125	TDR&TXV	40,000	0.72	12.50	15.00		
	ENH4X42*21**	*8MV*0701412**	TDR&TXV	40,000	0.72	12.50	15.00		
	ENH4X42*21**	*8MV*0901716**	TDR&TXV	40,000	0.72	12.50	15.00		
	ENH4X42*21**	*8MV*1102120**	TDR&TXV	40,000	0.72	12.50	15.00		
	ENH4X42*21**	*8MV*1352422**	TDR&TXV	40,000	0.72	12.50	15.00		
	ENH4X42*21**	*8MX*0701716**	TDR&TXV	40,000	0.72	12.00	14.50		
	ENH4X42*21**	*8MX*0902116**	TDR&TXV	40,000	0.72	12.50	15.50		
	ENH4X42*21**	*8MX*1102120**	TDR&TXV	40,000	0.72	12.50	15.50		
	ENH4X42*21**	*8MX*1352420**	TDR&TXV	40,000	0.72	12.50	15.50		
	ENH4X42*21**	*9MPV075	TDR&TXV	40,000	0.72	11.50	14.00		
	ENH4X42*21**	*9MPV100	TDR&TXV	40,000	0.72	12.00	14.50		
	ENH4X42*21**	*9MPV125	TDR&TXV	40,000	0.72	12.50	15.00		
	ENH4X42*21**	*9MVX060	TDR&TXV	40,000	0.72	12.00	14.50		
	ENH4X42*21**	*9MVX080	TDR&TXV	40,000	0.72	12.00	14.50		
	ENH4X42*21**	*9MVX100	TDR&TXV	40,000	0.72	12.50	15.00		
	ENH4X42*21**	MV12F19**B*	TDR&TXV	40,000	0.72	12.50	15.00		
	ENH4X42*21**	MV16J22**B*	TDR&TXV	40,000	0.72	13.00	16.00		
	ENH4X42*21**	MV20L24**B*	TDR&TXV	40,000	0.72	13.00	16.00		
	ENH4X42*21**	NOMV156E19*	TDR&TXV	40,000	0.72	12.50	15.00		
	ENH4X42*21**	†	TXV	40,000	0.72	11.50		14.00	
	ENH4X43*21**	*8MPV075	TDR&TXV	41,500	0.72	12.50	15.00		
	ENH4X43*21**	*8MPV100	TDR&TXV	41,500	0.72	12.50	15.50		
	ENH4X43*21**	*8MPV125	TDR&TXV	41,500	0.72	13.00	16.00		
	ENH4X43*21**	*8MV*0701412**	TDR&TXV	41,500	0.72	12.50	15.50		
	ENH4X43*21**	*8MV*0901716**	TDR&TXV	41,500	0.72	13.00	16.00		
	ENH4X43*21**	*8MV*1102120**	TDR&TXV	41,500	0.72	13.00	16.00		
	ENH4X43*21**	*8MV*1352422**	TDR&TXV	41,500	0.72	13.00	16.00		
	ENH4X43*21**	*8MX*0701716**	TDR&TXV	41,500	0.72	12.50	15.00		
	ENH4X43*21**	*8MX*0902116**	TDR&TXV	41,500	0.72	13.00	16.00		
	ENH4X43*21**	*8MX*1102120**	TDR&TXV	41,500	0.72	13.00	16.00		
	ENH4X43*21**	*8MX*1352420**	TDR&TXV	41,500	0.72	13.00	16.00		
	ENH4X43*21**	*9MPV075	TDR&TXV	41,500	0.72	12.00	14.50		
	ENH4X43*21**	*9MPV100	TDR&TXV	41,500	0.72	12.50	15.50		
	ENH4X43*21**	*9MPV125	TDR&TXV	41,500	0.72	12.50	15.50		
	ENH4X43*21**	*9MVX060	TDR&TXV	41,500	0.72	12.50	15.00		
	ENH4X43*21**	*9MVX080	TDR&TXV	41,500	0.72	12.50	15.50		
	ENH4X43*21**	*9MVX100	TDR&TXV	41,500	0.72	12.50	15.50		
	ENH4X43*21**	MV12F19**B*	TDR&TXV	41,500	0.72	13.00	16.00		
	ENH4X43*21**	MV16J22**B*	TDR&TXV	41,500	0.72	13.00	16.00		
	ENH4X43*21**	MV20L24**B*	TDR&TXV	41,500	0.72	13.00	16.00		
	ENH4X43*21**	NOMV156E19*	TDR&TXV	41,500	0.72	13.00	16.00		
	ENH4X43*21**	†	TXV	41,500	0.72	12.00		14.50	
	ENH4X48*21**	*8MPV075	TDR&TXV	41,000	0.72	12.50	15.00		
	ENH4X48*21**	*8MPV100	TDR&TXV	41,000	0.72	12.50	15.50		
	ENH4X48*21**	*8MPV125	TDR&TXV	41,000	0.72	12.50	15.50		
	ENH4X48*21**	*8MV*0701412**	TDR&TXV	41,000	0.72	12.50	15.00		
	ENH4X48*21**	*8MV*0901716**	TDR&TXV	41,000	0.72	12.50	15.50		
ENH4X48*21**	*8MV*1102120**	TDR&TXV	41,000	0.72	12.50	15.50			
ENH4X48*21**	*8MV*1352422**	TDR&TXV	41,000	0.72	13.00	16.00			
ENH4X48*21**	*8MX*0701716**	TDR&TXV	41,000	0.72	12.00	14.50			
ENH4X48*21**	*8MX*0902116**	TDR&TXV	41,000	0.72	12.50	15.50			
ENH4X48*21**	*8MX*1102120**	TDR&TXV	41,000	0.72	13.00	16.00			
ENH4X48*21**	*8MX*1352420**	TDR&TXV	41,000	0.72	12.50	15.50			
ENH4X48*21**	*9MPV075	TDR&TXV	41,000	0.72	12.00	14.50			
ENH4X48*21**	*9MPV100	TDR&TXV	41,000	0.72	12.50	15.00			
ENH4X48*21**	*9MPV125	TDR&TXV	41,000	0.72	12.50	15.50			
ENH4X48*21**	*9MVX060	TDR&TXV	41,000	0.72	12.00	14.50			
ENH4X48*21**	*9MVX080	TDR&TXV	41,000	0.72	12.50	15.00			

2009 ENERGY STAR compliance for combinations with both: SEER 14.50 or higher and EER 12.00 or higher.
† For coils not listed with a matching furnace or blower, coil rating applies with any indoor blower device.

- continued on next page -

COOLING PERFORMANCE FOR COMBINATION RATINGS (continued) Indoor Models

For complete ratings information, use the AHRI website directory search: www.AHRI.com/directory.org.
New ratings may be listed online before Specification Sheets are updated.

Outdoor Model	Current Indoor Model († tested combo)	Furnace Model	Factory Installed	Cooling 95° F (35° C)			SEER		
				BTU/hr	S/T	EER	factory	w/ field TDR	w/ field TXV
NXA642GKA (continued)	ENH4X48*21**	*9MVX100	TDR&TXV	41,000	0.72	12.50	15.50		
	ENH4X48*21**	MV12F19**B*	TDR&TXV	41,000	0.72	13.00	16.00		
	ENH4X48*21**	MV16J22**B*	TDR&TXV	41,000	0.72	13.00	16.00		
	ENH4X48*21**	MV20L24**B*	TDR&TXV	41,000	0.72	13.00	16.00		
	ENH4X48*21**	NOMV156E19*	TDR&TXV	41,000	0.72	12.50	15.50		
	ENH4X48*21**	†	TXV	41,000	0.72	12.00		14.50	
	FEM4P42**A*+TXV	—	TDR	41,000	0.72	12.50	14.50		15.00
	FEM4P48**A*+TXV	—	TDR	41,000	0.72	12.50	14.50		15.00
	FEM4P60**A*+TXV	—	TDR	41,500	0.72	12.50	15.00		15.50
	FEM4X42****	—	TDR&TXV	41,000	0.72	12.50	15.00		
	FEM4X48****	—	TDR&TXV	41,500	0.72	12.50	15.00		
	FEM4X60**B*	—	TDR&TXV	41,500	0.72	12.50	15.50		
	FS(M,U)4P42**A*+TXV	—	TDR	40,500	0.72	12.00	14.00		14.50
	FS(M,U)4P48**A*+TXV	—	TDR	41,500	0.72	12.00	14.00		14.50
	FS(M,U)4X42****	—	TDR&TXV	40,500	0.72	11.50	14.00		
	FS(M,U)4X48****	—	TDR&TXV	41,000	0.72	11.50	14.00		
	FVM4X36****	—	TDR&TXV	40,000	0.72	12.50	15.50		
	FVM4X48****	—	TDR&TXV	41,000	0.72	13.00	16.00		
	FVM4X60****	—	TDR&TXV	41,500	0.72	13.00	16.00		
	FXM4X42**A*	—	TDR&TXV	41,000	0.72	12.50	15.00		
FXM4X48**A*	—	TDR&TXV	42,000	0.72	13.00	16.00			
FXM4X60**A*	—	TDR&TXV	42,500	0.72	13.00	16.00			
NXA648GKA	†ED*4X60L**	†	TXV	46,000	0.75	12.00		14.50	
	ED*4X48F**	†	TXV	45,000	0.75	12.00		14.50	
	ED*4X48J**	*8MPV100	TDR&TXV	45,000	0.75	12.50	15.00		
	ED*4X48J**	*8MPV125	TDR&TXV	45,000	0.75	12.50	15.00		
	ED*4X48J**	*9MPV100	TDR&TXV	45,000	0.75	12.00	14.50		
	ED*4X48J**	*9MPV080	TDR&TXV	45,000	0.75	12.00	14.50		
	ED*4X48J**	MV16J22**B*	TDR&TXV	45,000	0.75	13.00	16.00		
	ED*4X48J**	†	TXV	45,000	0.75	12.00		14.50	
	ED*4X48L**	*8MV*1352422**	TDR&TXV	45,000	0.75	12.50	15.00		
	ED*4X48L**	*8MX*1352420**	TDR&TXV	45,000	0.75	12.50	15.00		
	ED*4X48L**	*9MPV125	TDR&TXV	45,000	0.75	12.50	15.00		
	ED*4X48L**	*9MPV100	TDR&TXV	45,000	0.75	12.50	15.00		
	ED*4X48L**	MV20L24**B*	TDR&TXV	45,000	0.75	13.00	16.00		
	ED*4X48L**	†	TXV	45,000	0.75	12.00		14.50	
	ED*4X60J**	*8MPV100	TDR&TXV	46,000	0.75	12.50	15.00		
	ED*4X60J**	*8MPV125	TDR&TXV	46,000	0.75	12.50	15.00		
	ED*4X60J**	*9MPV100	TDR&TXV	46,000	0.75	12.50	15.00		
	ED*4X60J**	*9MPV080	TDR&TXV	46,000	0.75	12.50	15.00		
	ED*4X60J**	MV16J22**B*	TDR&TXV	46,000	0.75	13.00	16.00		
	ED*4X60J**	†	TXV	46,000	0.75	12.00		14.50	
	ED*4X60L**	*8MV*1352422**	TDR&TXV	45,500	0.75	12.50	15.50		
	ED*4X60L**	*8MX*1352420**	TDR&TXV	46,000	0.75	12.50	15.50		
	ED*4X60L**	*9MPV125	TDR&TXV	46,000	0.75	12.50	15.50		
	ED*4X60L**	*9MPV100	TDR&TXV	45,500	0.75	12.50	15.50		
	ED*4X60L**	MV20L24**B*	TDR&TXV	46,000	0.75	13.00	16.00		
	EHD4X48A**	*8MPV100	TDR&TXV	45,000	0.75	12.50	15.00		
	EHD4X48A**	*8MPV125	TDR&TXV	45,000	0.75	12.50	15.00		
	EHD4X48A**	*8MV*0901716**	TDR&TXV	45,000	0.75	12.50	15.00		
	EHD4X48A**	*8MV*1102120**	TDR&TXV	45,000	0.75	12.50	15.00		
	EHD4X48A**	*8MV*1352422**	TDR&TXV	45,000	0.75	12.50	15.00		
	EHD4X48A**	*8MX*0701716**	TDR&TXV	45,000	0.75	11.50	14.00		
	EHD4X48A**	*8MX*0902116**	TDR&TXV	45,000	0.75	12.50	15.00		
EHD4X48A**	*8MX*1102120**	TDR&TXV	45,000	0.75	12.50	15.00			
EHD4X48A**	*8MX*1352420**	TDR&TXV	45,000	0.75	12.50	15.00			
EHD4X48A**	*9MPV100	TDR&TXV	45,000	0.75	12.50	15.00			
EHD4X48A**	*9MPV125	TDR&TXV	45,000	0.75	12.50	15.00			
EHD4X48A**	*9MPV080	TDR&TXV	45,000	0.75	12.50	15.00			

2009 ENERGY STAR compliance for combinations with both: SEER 14.50 or higher and EER 12.00 or higher.
† For coils not listed with a matching furnace or blower, coil rating applies with any indoor blower device.

- continued on next page -

COOLING PERFORMANCE FOR COMBINATION RATINGS (continued) Indoor Models

For complete ratings information, use the AHRI website directory search: www.AHRI.org.
New ratings may be listed online before Specification Sheets are updated.

Outdoor Model	Current Indoor Model († tested combo)	Furnace Model	Factory Installed	Cooling 95° F (35° C)			SEER		
				BTU/hr	S/T	EER	factory	w/ field TDR	w/ field TXV
NXA648GKA (continued)	EHD4X48A**	*9MVX100	TDR&TXV	45,000	0.75	12.50	15.00		
	EHD4X48A**	MV16J22**B*	TDR&TXV	45,000	0.75	13.00	16.00		
	EHD4X48A**	MV20L24**B*	TDR&TXV	45,000	0.75	13.00	16.00		
	EHD4X48A**	NOMV156E19*	TDR&TXV	45,000	0.75	12.50	15.00		
	EHD4X48A**	†	TXV	45,000	0.75	12.00		14.50	
	EHD4X60A**	*8MPV100	TDR&TXV	45,000	0.75	12.50	15.50		
	EHD4X60A**	*8MPV125	TDR&TXV	45,000	0.75	13.00	16.00		
	EHD4X60A**	*8MV*0901716**	TDR&TXV	45,000	0.75	12.50	15.50		
	EHD4X60A**	*8MV*1102120**	TDR&TXV	45,000	0.75	13.00	16.00		
	EHD4X60A**	*8MV*1352422**	TDR&TXV	45,000	0.75	13.00	16.00		
	EHD4X60A**	*8MX*0701716**	TDR&TXV	45,000	0.75	12.00	14.50		
	EHD4X60A**	*8MX*0902116**	TDR&TXV	45,000	0.75	12.50	15.50		
	EHD4X60A**	*8MX*1102120**	TDR&TXV	45,000	0.75	13.00	16.00		
	EHD4X60A**	*8MX*1352420**	TDR&TXV	45,000	0.75	13.00	16.00		
	EHD4X60A**	*9MPV100	TDR&TXV	45,000	0.75	12.50	15.50		
	EHD4X60A**	*9MPV125	TDR&TXV	45,000	0.75	12.50	15.50		
	EHD4X60A**	*9MVX080	TDR&TXV	45,000	0.75	12.50	15.50		
	EHD4X60A**	*9MVX100	TDR&TXV	45,000	0.75	12.50	15.50		
	EHD4X60A**	MV16J22**B*	TDR&TXV	45,000	0.75	13.00	16.00		
	EHD4X60A**	MV20L24**B*	TDR&TXV	45,000	0.75	13.00	16.00		
	EHD4X60A**	NOMV156E19*	TDR&TXV	45,000	0.75	12.50	15.50		
	EHD4X60A**	†	TXV	45,000	0.75	12.50		15.00	
	EMA4X48D**	†	TXV	44,500	0.75	12.00		14.50	
	EN(A,D)4X48*24**	*8MPV100	TDR&TXV	44,500	0.75	12.50	15.00		
	EN(A,D)4X48*24**	*8MPV125	TDR&TXV	45,500	0.75	12.50	15.00		
	EN(A,D)4X48*24**	*8MV*1102120**	TDR&TXV	44,500	0.75	12.50	15.00		
	EN(A,D)4X48*24**	*8MV*1352422**	TDR&TXV	44,500	0.75	12.50	15.00		
	EN(A,D)4X48*24**	*8MX*0902116**	TDR&TXV	44,500	0.75	12.50	15.00		
	EN(A,D)4X48*24**	*8MX*1102120**	TDR&TXV	44,500	0.75	12.50	15.00		
	EN(A,D)4X48*24**	*8MX*1352420**	TDR&TXV	44,500	0.75	12.50	15.00		
	EN(A,D)4X48*24**	*9MPV100	TDR&TXV	44,500	0.75	12.50	15.00		
	EN(A,D)4X48*24**	*9MPV125	TDR&TXV	44,500	0.75	12.50	15.00		
	EN(A,D)4X48*24**	*9MVX080	TDR&TXV	44,500	0.75	12.50	15.00		
	EN(A,D)4X48*24**	*9MVX100	TDR&TXV	44,500	0.75	12.50	15.00		
	EN(A,D)4X48*24**	MV16J22**B*	TDR&TXV	44,500	0.75	13.00	16.00		
	EN(A,D)4X48*24**	MV20L24**B*	TDR&TXV	44,500	0.75	13.00	16.00		
	EN(A,D)4X48*24**	NOMV156E19*	TDR&TXV	44,500	0.75	12.50	15.00		
	EN(A,D)4X48*24**	†	TXV	44,500	0.75	12.00		14.50	
	EN(A,D)4X61*24**	*8MPV100	TDR&TXV	46,000	0.75	13.00	16.00		
	EN(A,D)4X61*24**	*8MPV125	TDR&TXV	46,000	0.75	13.00	16.00		
	EN(A,D)4X61*24**	*8MV*1102120**	TDR&TXV	46,000	0.75	13.00	16.00		
	EN(A,D)4X61*24**	*8MV*1352422**	TDR&TXV	46,000	0.75	13.00	16.00		
EN(A,D)4X61*24**	*8MX*0902116**	TDR&TXV	46,000	0.75	13.00	16.00			
EN(A,D)4X61*24**	*8MX*1102120**	TDR&TXV	46,000	0.75	13.00	16.00			
EN(A,D)4X61*24**	*8MX*1352420**	TDR&TXV	46,000	0.75	13.00	16.00			
EN(A,D)4X61*24**	*9MPV100	TDR&TXV	46,000	0.75	12.50	15.50			
EN(A,D)4X61*24**	*9MPV125	TDR&TXV	46,000	0.75	12.50	15.50			
EN(A,D)4X61*24**	*9MVX080	TDR&TXV	46,000	0.75	12.50	15.50			
EN(A,D)4X61*24**	*9MVX100	TDR&TXV	46,000	0.75	12.50	15.50			
EN(A,D)4X61*24**	MV16J22**B*	TDR&TXV	46,000	0.75	13.00	16.00			
EN(A,D)4X61*24**	MV20L24**B*	TDR&TXV	46,000	0.75	13.00	16.00			
EN(A,D)4X61*24**	NOMV156E19*	TDR&TXV	46,000	0.75	12.50	15.50			
EN(A,D)4X61*24**	†	TXV	46,000	0.75	12.00		14.50		
EN(A,D,W)4X48*21**	*8MV*0901716**	TDR&TXV	45,000	0.75	12.50	15.00			
EN(A,D,W)4X48*21**	*8MV*1102120**	TDR&TXV	45,000	0.75	12.50	15.00			
EN(A,D,W)4X48*21**	*8MX*0701716**	TDR&TXV	44,500	0.75	11.50	14.00			
EN(A,D,W)4X48*21**	*8MX*0902116**	TDR&TXV	44,500	0.75	12.50	15.00			
EN(A,D,W)4X48*21**	*8MX*1102120**	TDR&TXV	44,500	0.75	12.50	15.00			
EN(A,D,W)4X48*21**	NOMV156E19*	TDR&TXV	44,500	0.75	12.50	15.00			

2009 ENERGY STAR compliance for combinations with both: SEER 14.50 or higher and EER 12.00 or higher.
† For coils not listed with a matching furnace or blower, coil rating applies with any indoor blower device.

- continued on next page -

COOLING PERFORMANCE FOR COMBINATION RATINGS (continued) Indoor Models

For complete ratings information, use the AHRI website directory search: www.AHRIdirectory.org.
New ratings may be listed online before Specification Sheets are updated.

Outdoor Model	Current Indoor Model († tested combo)	Furnace Model	Factory Installed	Cooling 95° F (35° C)			SEER		
				BTU/hr	S/T	EER	factory	w/ field TDR	w/ field TXV
NXA648GKA (continued)	EN(A,D,W)4X48*21**		TXV	45,000	0.75	12.00		14.50	
	EN(A,D,W)4X60*24**	*8MPV100	TDR&TXV	45,500	0.75	12.50	15.50		
	EN(A,D,W)4X60*24**	*8MPV125	TDR&TXV	45,500	0.75	12.50	15.50		
	EN(A,D,W)4X60*24**	*8MV*1102120**	TDR&TXV	45,500	0.75	12.50	15.50		
	EN(A,D,W)4X60*24**	*8MV*1352422**	TDR&TXV	45,500	0.75	13.00	16.00		
	EN(A,D,W)4X60*24**	*8MX*0902116**	TDR&TXV	45,500	0.75	12.50	15.50		
	EN(A,D,W)4X60*24**	*8MX*1102120**	TDR&TXV	45,500	0.75	13.00	16.00		
	EN(A,D,W)4X60*24**	*8MX*1352420**	TDR&TXV	45,500	0.75	12.50	15.50		
	EN(A,D,W)4X60*24**	*9MPV100	TDR&TXV	45,500	0.75	12.50	15.00		
	EN(A,D,W)4X60*24**	*9MPV125	TDR&TXV	45,500	0.75	12.50	15.00		
	EN(A,D,W)4X60*24**	*9MVX080	TDR&TXV	45,500	0.75	12.50	15.00		
	EN(A,D,W)4X60*24**	*9MVX100	TDR&TXV	45,500	0.75	12.50	15.00		
	EN(A,D,W)4X60*24**	MV16J22**B*	TDR&TXV	45,500	0.75	13.00	16.00		
	EN(A,D,W)4X60*24**	MV20L24**B*	TDR&TXV	45,500	0.75	13.00	16.00		
	EN(A,D,W)4X60*24**	NOMV156E19*	TDR&TXV	45,500	0.75	12.50	15.50		
	EN(A,D,W)4X60*24**	†	TXV	45,500	0.75	12.00		14.50	
	ENH4X48*21**	*8MPV100	TDR&TXV	45,000	0.75	12.50	15.00		
	ENH4X48*21**	*8MPV125	TDR&TXV	45,000	0.75	12.50	15.00		
	ENH4X48*21**	*8MV*0901716**	TDR&TXV	45,000	0.75	12.50	15.00		
	ENH4X48*21**	*8MV*1102120**	TDR&TXV	45,000	0.75	12.50	15.00		
	ENH4X48*21**	*8MV*1352422**	TDR&TXV	45,000	0.75	12.50	15.00		
	ENH4X48*21**	*8MX*0701716**	TDR&TXV	44,500	0.75	11.50	14.00		
	ENH4X48*21**	*8MX*0902116**	TDR&TXV	45,000	0.75	12.50	15.00		
	ENH4X48*21**	*8MX*1102120**	TDR&TXV	45,000	0.75	12.50	15.00		
	ENH4X48*21**	*8MX*1352420**	TDR&TXV	45,000	0.75	12.50	15.00		
	ENH4X48*21**	*9MPV100	TDR&TXV	45,000	0.75	12.50	15.00		
	ENH4X48*21**	*9MPV125	TDR&TXV	45,000	0.75	12.50	15.00		
	ENH4X48*21**	*9MVX080	TDR&TXV	45,000	0.75	12.50	15.00		
	ENH4X48*21**	*9MVX100	TDR&TXV	45,000	0.75	12.50	15.00		
	ENH4X48*21**	MV16J22**B*	TDR&TXV	45,000	0.75	13.00	16.00		
	ENH4X48*21**	MV20L24**B*	TDR&TXV	45,000	0.75	13.00	16.00		
	ENH4X48*21**	NOMV156E19*	TDR&TXV	45,000	0.75	12.50	15.00		
	ENH4X48*21**	†	TXV	45,000	0.75	12.00		14.50	
	ENH4X60*24**	*8MPV100	TDR&TXV	45,500	0.75	12.50	15.50		
	ENH4X60*24**	*8MPV125	TDR&TXV	45,500	0.75	12.50	15.50		
	ENH4X60*24**	*8MV*0901716**	TDR&TXV	45,500	0.75	12.50	15.50		
	ENH4X60*24**	*8MV*1102120**	TDR&TXV	45,500	0.75	12.50	15.50		
	ENH4X60*24**	*8MV*1352422**	TDR&TXV	45,500	0.75	13.00	16.00		
	ENH4X60*24**	*8MX*0701716**	TDR&TXV	45,500	0.75	12.00	14.50		
	ENH4X60*24**	*8MX*0902116**	TDR&TXV	45,500	0.75	12.50	15.00		
	ENH4X60*24**	*8MX*1102120**	TDR&TXV	45,500	0.75	13.00	16.00		
	ENH4X60*24**	*8MX*1352420**	TDR&TXV	45,500	0.75	12.50	15.50		
	ENH4X60*24**	*9MPV100	TDR&TXV	45,500	0.75	12.50	15.00		
	ENH4X60*24**	*9MPV125	TDR&TXV	45,500	0.75	12.50	15.00		
	ENH4X60*24**	*9MVX080	TDR&TXV	45,500	0.75	12.50	15.00		
ENH4X60*24**	*9MVX100	TDR&TXV	45,500	0.75	12.50	15.00			
ENH4X60*24**	MV16J22**B*	TDR&TXV	45,500	0.75	13.00	16.00			
ENH4X60*24**	MV20L24**B*	TDR&TXV	45,500	0.75	13.00	16.00			
ENH4X60*24**	NOMV156E19*	TDR&TXV	45,500	0.75	12.50	15.50			
ENH4X60*24**	†	TXV	45,500	0.75	12.00		14.50		
ENH4X61*24**	*8MPV100	TDR&TXV	45,000	0.75	12.50	15.50			
ENH4X61*24**	*8MPV125	TDR&TXV	45,500	0.75	13.00	16.00			
ENH4X61*24**	*8MV*0901716**	TDR&TXV	45,500	0.75	12.50	15.50			
ENH4X61*24**	*8MV*1102120**	TDR&TXV	45,500	0.75	12.50	15.50			
ENH4X61*24**	*8MV*1352422**	TDR&TXV	45,500	0.75	13.00	16.00			
ENH4X61*24**	*8MX*0701716**	TDR&TXV	45,500	0.75	12.00	14.50			
ENH4X61*24**	*8MX*0902116**	TDR&TXV	45,500	0.75	12.50	15.50			
ENH4X61*24**	*8MX*1102120**	TDR&TXV	45,500	0.75	13.00	16.00			
ENH4X61*24**	*8MX*1352420**	TDR&TXV	45,500	0.75	13.00	16.00			

2009 ENERGY STAR compliance for combinations with both: SEER 14.50 or higher and EER 12.00 or higher.
† For coils not listed with a matching furnace or blower, coil rating applies with any indoor blower device.

- continued on next page -

COOLING PERFORMANCE FOR COMBINATION RATINGS (continued) Indoor Models

For complete ratings information, use the AHRI website directory search: www.AHRI.org.
New ratings may be listed online before Specification Sheets are updated.

Outdoor Model	Current Indoor Model († tested combo)	Furnace Model	Factory Installed	Cooling 95° F (35° C)			SEER		
				BTU/hr	S/T	EER	factory	w/ field TDR	w/ field TXV
NXA648GKA (continued)	ENH4X61*24**	*9MPV100	TDR&TXV	45,500	0.75	12.50	15.00		
	ENH4X61*24**	*9MPV125	TDR&TXV	42,500	0.75	12.50	15.00		
	ENH4X61*24**	*9MVX080	TDR&TXV	45,500	0.75	12.50	15.00		
	ENH4X61*24**	*9MPV100	TDR&TXV	45,500	0.75	12.50	15.50		
	ENH4X61*24**	MV16J22**B*	TDR&TXV	45,500	0.75	13.00	16.00		
	ENH4X61*24**	MV20L24**B*	TDR&TXV	45,500	0.75	13.00	16.00		
	ENH4X61*24**	NOMV156E19*	TDR&TXV	45,500	0.75	12.50	15.50		
	ENH4X61*24**	†	TXV	45,500	0.75	12.00		14.50	
	FEM4P48**A*†TXV	—	TDR	45,000	0.75	12.00	14.00		14.50
	FEM4P60**A*†TXV	—	TDR	46,000	0.75	12.50	14.50		15.00
	FEM4X48****	—	TDR&TXV	46,000	0.75	12.50	15.00		
	FEM4X60****	—	TDR&TXV	46,500	0.75	13.00	16.00		
	FEM4X60**B*	—	TDR&TXV	46,000	0.75	12.50	15.00		
	FS(M,U)4P48**A*†TXV	—	TDR	45,500	0.75	12.50	14.50		15.00
	FS(M,U)4X48****	—	TDR&TXV	45,500	0.75	12.00	14.50		
	FS(M,U)4X60**A*	—	TDR&TXV	46,000	0.75	12.00	14.50		
	FVM4X48****	—	TDR&TXV	46,000	0.75	13.00	16.00		
	FVM4X60****	—	TDR&TXV	46,500	0.75	13.00	16.00		
	FXM4X48**A*	—	TDR&TXV	46,000	0.75	13.00	16.00		
	FXM4X60**A*	—	TDR&TXV	46,500	0.75	13.00	16.00		
NXA649GKA	†ED*4X60L**	†	TXV	48,000	0.74	11.50		14.00	
	ED*4X48L**	†	TXV	47,500	0.74	11.50		14.00	
	ED*4X48J**	*8MPV100	TDR&TXV	47,500	0.74	12.00	14.50		
	ED*4X48J**	*8MPV125	TDR&TXV	47,500	0.74	12.00	14.50		
	ED*4X48J**	*9MPV100	TDR&TXV	47,500	0.74	11.50	14.00		
	ED*4X48J**	*9MVX080	TDR&TXV	47,500	0.74	11.50	14.00		
	ED*4X48J**	MV16J22**B*	TDR&TXV	47,500	0.74	12.50	15.00		
	ED*4X48J**	†	TXV	47,500	0.74	11.50		14.00	
	ED*4X48L**	*8MV*1352422**	TDR&TXV	47,500	0.74	12.00	14.50		
	ED*4X48L**	*8MX*1352420**	TDR&TXV	47,500	0.74	12.00	14.50		
	ED*4X48L**	*9MPV125	TDR&TXV	47,500	0.74	12.00	14.50		
	ED*4X48L**	*9MVX100	TDR&TXV	47,500	0.74	12.00	14.50		
	ED*4X48L**	MV20L24**B*	TDR&TXV	47,500	0.74	12.50	15.00		
	ED*4X48L**	†	TXV	47,500	0.74	11.50		14.00	
	ED*4X60J**	*8MPV100	TDR&TXV	48,000	0.74	12.00	14.50		
	ED*4X60J**	*8MPV125	TDR&TXV	48,000	0.74	12.00	14.50		
	ED*4X60J**	*9MPV100	TDR&TXV	48,000	0.74	12.00	14.50		
	ED*4X60J**	*9MVX080	TDR&TXV	48,000	0.74	12.00	14.50		
	ED*4X60J**	MV16J22**B*	TDR&TXV	48,000	0.74	12.50	15.00		
	ED*4X60J**	†	TXV	48,000	0.74	11.50		14.00	
	ED*4X60L**	*8MV*1352422**	TDR&TXV	48,000	0.74	12.50	15.00		
	ED*4X60L**	*8MX*1352420**	TDR&TXV	48,000	0.74	12.50	15.00		
	ED*4X60L**	*9MPV125	TDR&TXV	48,000	0.74	12.00	14.50		
	ED*4X60L**	*9MVX100	TDR&TXV	48,000	0.74	12.00	14.50		
	ED*4X60L**	MV20L24**B*	TDR&TXV	48,000	0.74	12.50	15.00		
	EHD4X48A**	*8MPV100	TDR&TXV	48,000	0.74	12.00	14.50		
	EHD4X48A**	*8MPV125	TDR&TXV	48,000	0.74	12.00	14.50		
	EHD4X48A**	*8MV*0901716**	TDR&TXV	48,000	0.74	11.50	14.00		
	EHD4X48A**	*8MV*1102120**	TDR&TXV	48,000	0.74	12.00	14.50		
	EHD4X48A**	*8MV*1352422**	TDR&TXV	48,000	0.74	12.00	14.50		
	EHD4X48A**	*8MX*0701716**	TDR&TXV	47,500	0.74	11.50	13.50		
	EHD4X48A**	*8MX*0902116**	TDR&TXV	48,000	0.74	12.00	14.50		
	EHD4X48A**	*8MX*1102120**	TDR&TXV	48,000	0.74	12.00	14.50		
	EHD4X48A**	*8MX*1352420**	TDR&TXV	48,000	0.74	12.00	14.50		
	EHD4X48A**	*9MPV100	TDR&TXV	48,000	0.74	12.00	14.50		
	EHD4X48A**	*9MPV125	TDR&TXV	48,000	0.74	12.00	14.50		
	EHD4X48A**	*9MVX080	TDR&TXV	48,000	0.74	12.00	14.50		
	EHD4X48A**	*9MVX100	TDR&TXV	48,000	0.74	12.00	14.50		
	EHD4X48A**	MV16J22**B*	TDR&TXV	48,000	0.74	12.50	15.00		

2009 ENERGY STAR compliance for combinations with both: SEER 14.50 or higher and EER 12.00 or higher.
† For coils not listed with a matching furnace or blower, coil rating applies with any indoor blower device.

- continued on next page -

COOLING PERFORMANCE FOR COMBINATION RATINGS (continued) Indoor Models

For complete ratings information, use the AHRI website directory search: www.AHRIdirectory.org.
New ratings may be listed online before Specification Sheets are updated.

Outdoor Model	Current Indoor Model († tested combo)	Furnace Model	Factory Installed	Cooling 95° F (35° C)			SEER		
				BTU/hr	S/T	EER	factory	w/ field TDR	w/ field TXV
NXA649GKA (continued)	EHD4X48A**	MV20L24**B*	TDR&TXV	48,000	0.74	12.50	15.00		
	EHD4X48A**	NOMV156E19*	TDR&TXV	48,000	0.74	12.00	14.50		
	EHD4X48A**	†	TXV	48,000	0.74	11.50		14.00	
	EHD4X60A**	*8MPV100	TDR&TXV	48,500	0.74	12.50	15.00		
	EHD4X60A**	*8MPV125	TDR&TXV	48,500	0.74	12.50	15.00		
	EHD4X60A**	*8MV*0901716**	TDR&TXV	48,500	0.74	12.00	14.50		
	EHD4X60A**	*8MV*1102120**	TDR&TXV	48,500	0.74	12.50	15.00		
	EHD4X60A**	*8MV*1352422**	TDR&TXV	48,500	0.74	12.50	15.00		
	EHD4X60A**	*8MX*0701716**	TDR&TXV	48,500	0.74	11.50	14.00		
	EHD4X60A**	*8MX*0902116**	TDR&TXV	48,500	0.74	12.50	15.00		
	EHD4X60A**	*8MX*1102120**	TDR&TXV	48,500	0.74	12.50	15.00		
	EHD4X60A**	*8MX*1352420**	TDR&TXV	48,500	0.74	12.50	15.00		
	EHD4X60A**	*9MPV100	TDR&TXV	48,500	0.74	12.00	14.50		
	EHD4X60A**	*9MPV125	TDR&TXV	48,500	0.74	12.00	14.50		
	EHD4X60A**	*9MVX080	TDR&TXV	48,500	0.74	12.00	14.50		
	EHD4X60A**	*9MVX100	TDR&TXV	48,500	0.74	12.00	14.50		
	EHD4X60A**	MV16J22**B*	TDR&TXV	48,500	0.74	12.50	15.50		
	EHD4X60A**	MV20L24**B*	TDR&TXV	48,500	0.74	12.50	15.50		
	EHD4X60A**	NOMV156E19*	TDR&TXV	48,500	0.74	12.50	15.00		
	EHD4X60A**	†	TXV	48,500	0.74	11.50		14.00	
	EMA4X48D**	†	TXV	46,500	0.74	11.50			14.00
	EN(A,D)4X48*24**	*8MPV100	TDR&TXV	47,500	0.74	12.00	14.50		
	EN(A,D)4X48*24**	*8MPV125	TDR&TXV	47,500	0.74	12.00	14.50		
	EN(A,D)4X48*24**	*8MV*1102120**	TDR&TXV	47,500	0.74	12.00	14.50		
	EN(A,D)4X48*24**	*8MV*1352422**	TDR&TXV	47,500	0.74	12.00	14.50		
	EN(A,D)4X48*24**	*8MX*0902116**	TDR&TXV	47,500	0.74	12.00	14.50		
	EN(A,D)4X48*24**	*8MX*1102120**	TDR&TXV	47,500	0.74	12.50	15.00		
	EN(A,D)4X48*24**	*8MX*1352420**	TDR&TXV	47,500	0.74	12.40	15.00		
	EN(A,D)4X48*24**	*9MPV100	TDR&TXV	47,500	0.74	12.00	14.50		
	EN(A,D)4X48*24**	*9MPV125	TDR&TXV	47,500	0.74	12.00	14.50		
	EN(A,D)4X48*24**	*9MVX080	TDR&TXV	47,500	0.74	12.00	14.50		
	EN(A,D)4X48*24**	*9MVX100	TDR&TXV	47,500	0.74	12.00	14.50		
	EN(A,D)4X48*24**	MV16J22**B*	TDR&TXV	47,500	0.74	12.50	15.00		
	EN(A,D)4X48*24**	MV20L24**B*	TDR&TXV	47,500	0.74	12.50	15.00		
	EN(A,D)4X48*24**	NOMV156E19*	TDR&TXV	47,500	0.74	12.00	14.50		
	EN(A,D)4X48*24**	†	TXV	47,500	0.74	11.50		14.00	
	EN(A,D)4X61*24**	*8MPV100	TDR&TXV	48,500	0.74	12.50	15.00		
	EN(A,D)4X61*24**	*8MPV125	TDR&TXV	48,500	0.74	12.50	15.00		
	EN(A,D)4X61*24**	*8MV*1102120**	TDR&TXV	48,500	0.74	12.50	15.00		
	EN(A,D)4X61*24**	*8MV*1352422**	TDR&TXV	48,500	0.74	12.50	15.00		
	EN(A,D)4X61*24**	*8MX*0902116**	TDR&TXV	48,500	0.74	12.50	15.00		
	EN(A,D)4X61*24**	*8MX*1102120**	TDR&TXV	48,500	0.74	12.50	15.00		
	EN(A,D)4X61*24**	*8MX*1352420**	TDR&TXV	48,500	0.74	12.50	15.00		
	EN(A,D)4X61*24**	*9MPV100	TDR&TXV	48,500	0.74	12.00	14.50		
	EN(A,D)4X61*24**	*9MPV125	TDR&TXV	48,500	0.74	12.50	15.00		
EN(A,D)4X61*24**	*9MVX080	TDR&TXV	48,500	0.74	12.00	14.50			
EN(A,D)4X61*24**	*9MVX100	TDR&TXV	48,500	0.74	12.50	15.00			
EN(A,D)4X61*24**	MV16J22**B*	TDR&TXV	48,500	0.74	13.00	16.00			
EN(A,D)4X61*24**	MV20L24**B*	TDR&TXV	48,500	0.74	13.00	16.00			
EN(A,D)4X61*24**	NOMV156E19*	TDR&TXV	48,500	0.74	12.50	15.00			
EN(A,D)4X61*24**	†	TXV	48,500	0.74	12.00		14.50		
EN(A,D,W)4X48*21**	*8MV*0901716**	TDR&TXV	47,500	0.74	12.00	14.50			
EN(A,D,W)4X48*21**	*8MV*1102120**	TDR&TXV	47,500	0.74	12.00	14.50			
EN(A,D,W)4X48*21**	*8MX*0701716**	TDR&TXV	47,500	0.74	11.50	13.50			
EN(A,D,W)4X48*21**	*8MX*0902116**	TDR&TXV	47,500	0.74	12.00	14.50			
EN(A,D,W)4X48*21**	*8MX*1102120**	TDR&TXV	47,500	0.74	12.00	14.50			
EN(A,D,W)4X48*21**	NOMV156E19*	TDR&TXV	47,500	0.74	12.00	14.50			
EN(A,D,W)4X48*21**	†	TXV	47,500	0.74	11.50		14.00		
EN(A,D,W)4X60*24**	*8MPV100	TDR&TXV	48,000	0.74	12.00	14.50			

2009 ENERGY STAR compliance for combinations with both: SEER 14.50 or higher and EER 12.00 or higher.
† For coils not listed with a matching furnace or blower, coil rating applies with any indoor blower device.

- continued on next page -

COOLING PERFORMANCE FOR COMBINATION RATINGS (continued) Indoor Models

For complete ratings information, use the AHRI website directory search: www.AHRI.org.
New ratings may be listed online before Specification Sheets are updated.

Outdoor Model	Current Indoor Model († tested combo)	Furnace Model	Factory Installed	Cooling 95° F (35° C)			SEER		
				BTU/hr	S/T	EER	factory	w/ field TDR	w/ field TXV
NXA649GKA (continued)	EN(A,D,W)4X60*24**	*8MPV125	TDR&TXV	48,000	0.74	12.50	15.00		
	EN(A,D,W)4X60*24**	*8MV**1102120**	TDR&TXV	48,000	0.74	12.50	15.00		
	EN(A,D,W)4X60*24**	*8MV**1352422**	TDR&TXV	48,000	0.74	12.50	15.00		
	EN(A,D,W)4X60*24**	*8MX*0902116**	TDR&TXV	48,000	0.74	12.50	15.00		
	EN(A,D,W)4X60*24**	*8MX**1102120**	TDR&TXV	48,000	0.74	12.50	15.00		
	EN(A,D,W)4X60*24**	*8MX**1352420**	TDR&TXV	48,000	0.74	12.50	15.00		
	EN(A,D,W)4X60*24**	*9MPV100	TDR&TXV	48,000	0.74	12.00	14.50		
	EN(A,D,W)4X60*24**	*9MPV125	TDR&TXV	48,000	0.74	12.00	14.50		
	EN(A,D,W)4X60*24**	*9MVX080	TDR&TXV	48,500	0.74	12.00	14.50		
	EN(A,D,W)4X60*24**	*9MVX100	TDR&TXV	48,000	0.74	12.00	14.50		
	EN(A,D,W)4X60*24**	MV16J22**B*	TDR&TXV	48,000	0.74	12.50	15.00		
	EN(A,D,W)4X60*24**	MV20L24**B*	TDR&TXV	48,000	0.74	12.50	15.00		
	EN(A,D,W)4X60*24**	NOMV156E19*	TDR&TXV	48,000	0.74	12.00	14.50		
	EN(A,D,W)4X60*24**	†	TXV	48,000	0.74	11.50		14.00	
	ENH4X48*21**	*8MPV100	TDR&TXV	47,500	0.74	12.00	14.50		
	ENH4X48*21**	*8MPV125	TDR&TXV	47,500	0.74	12.00	14.50		
	ENH4X48*21**	*8MV*0901716**	TDR&TXV	47,500	0.74	12.00	14.50		
	ENH4X48*21**	*8MV**1102120**	TDR&TXV	47,500	0.74	12.00	14.50		
	ENH4X48*21**	*8MV**1352422**	TDR&TXV	47,500	0.74	12.00	14.50		
	ENH4X48*21**	*8MX*0701716**	TDR&TXV	47,500	0.74	11.50	13.50		
	ENH4X48*21**	*8MX*0902116**	TDR&TXV	47,500	0.74	12.00	14.50		
	ENH4X48*21**	*8MX**1102120**	TDR&TXV	47,500	0.74	12.00	14.50		
	ENH4X48*21**	*8MX**1352420**	TDR&TXV	47,500	0.74	12.00	14.50		
	ENH4X48*21**	*9MPV100	TDR&TXV	47,500	0.74	12.00	14.50		
	ENH4X48*21**	*9MPV125	TDR&TXV	47,500	0.74	12.00	14.50		
	ENH4X48*21**	*9MVX080	TDR&TXV	47,500	0.74	12.00	14.50		
	ENH4X48*21**	*9MVX100	TDR&TXV	47,500	0.74	12.00	14.50		
	ENH4X48*21**	MV16J22**B*	TDR&TXV	47,500	0.74	12.50	15.00		
	ENH4X48*21**	MV20L24**B*	TDR&TXV	47,500	0.74	12.50	15.00		
	ENH4X48*21**	NOMV156E19*	TDR&TXV	47,500	0.74	12.00	14.50		
	ENH4X48*21**	†	TXV	47,500	0.74	11.50		14.00	
	ENH4X60*24**	*8MPV100	TDR&TXV	48,000	0.74	12.00	14.50		
	ENH4X60*24**	*8MPV125	TDR&TXV	48,000	0.74	12.50	15.00		
	ENH4X60*24**	*8MV*0901716**	TDR&TXV	48,000	0.74	12.00	14.50		
	ENH4X60*24**	*8MV**1102120**	TDR&TXV	48,000	0.74	12.00	14.50		
	ENH4X60*24**	*8MV**1352422**	TDR&TXV	48,000	0.74	12.00	14.50		
	ENH4X60*24**	*8MX*0701716**	TDR&TXV	48,000	0.74	11.50	14.00		
	ENH4X60*24**	*8MX*0902116**	TDR&TXV	48,000	0.74	12.50	15.00		
	ENH4X60*24**	*8MX**1102120**	TDR&TXV	48,000	0.74	12.50	15.00		
	ENH4X60*24**	*8MX**1352420**	TDR&TXV	48,000	0.74	12.50	15.00		
	ENH4X60*24**	*9MPV100	TDR&TXV	48,000	0.74	12.00	14.50		
	ENH4X60*24**	*9MPV125	TDR&TXV	48,000	0.74	12.00	14.50		
	ENH4X60*24**	*9MVX080	TDR&TXV	48,000	0.74	12.00	14.50		
	ENH4X60*24**	*9MVX100	TDR&TXV	48,000	0.74	12.00	14.50		
	ENH4X60*24**	MV16J22**B*	TDR&TXV	48,000	0.74	12.50	15.00		
ENH4X60*24**	MV20L24**B*	TDR&TXV	48,000	0.74	12.50	15.00			
ENH4X60*24**	NOMV156E19*	TDR&TXV	48,000	0.74	12.00	14.50			
ENH4X60*24**	†	TXV	48,000	0.74	11.50		14.00		
ENH4X61*24**	*8MPV100	TDR&TXV	48,500	0.74	12.00	14.50			
ENH4X61*24**	*8MPV125	TDR&TXV	48,500	0.74	12.00	15.00			
ENH4X61*24**	*8MV*0901716**	TDR&TXV	48,500	0.74	12.00	14.50			
ENH4X61*24**	*8MV**1102120**	TDR&TXV	48,500	0.74	12.00	15.00			
ENH4X61*24**	*8MV**1352422**	TDR&TXV	48,500	0.74	12.00	15.00			
ENH4X61*24**	*8MX*0701716**	TDR&TXV	48,500	0.74	11.50	14.00			
ENH4X61*24**	*8MX*0902116**	TDR&TXV	48,500	0.74	12.50	15.00			
ENH4X61*24**	*8MX**1102120**	TDR&TXV	48,500	0.74	12.50	15.00			
ENH4X61*24**	*8MX**1352420**	TDR&TXV	48,500	0.74	12.50	15.00			
ENH4X61*24**	*9MPV100	TDR&TXV	48,500	0.74	12.00	14.50			
ENH4X61*24**	*9MPV125	TDR&TXV	48,500	0.74	12.00	14.50			

2009 ENERGY STAR compliance for combinations with both: SEER 14.50 or higher and EER 12.00 or higher.
† For coils not listed with a matching furnace or blower, coil rating applies with any indoor blower device.

- continued on next page -

COOLING PERFORMANCE FOR COMBINATION RATINGS (continued) Indoor Models

For complete ratings information, use the AHRI website directory search: www.AHRIdirectory.org.
New ratings may be listed online before Specification Sheets are updated.

Outdoor Model	Current Indoor Model († tested combo)	Furnace Model	Factory Installed	Cooling 95° F (35° C)			SEER		
				BTU/hr	S/T	EER	factory	w/ field TDR	w/ field TXV
NXA649GKA (continued)	ENH4X61*24**	*9MVX080	TDR&TXV	48,500	0.74	12.00	14.50		
	ENH4X61*24**	*9MVX100	TDR&TXV	48,500	0.74	12.00	14.50		
	ENH4X61*24**	MV16J22**B*	TDR&TXV	48,500	0.74	12.50	15.00		
	ENH4X61*24**	MV20L24**B*	TDR&TXV	48,500	0.74	12.50	15.00		
	ENH4X61*24**	NOMV156E19*	TDR&TXV	48,500	0.74	12.00	14.50		
	ENH4X61*24**	†	TXV	48,500	0.74	11.50		14.00	
	FEM4P48**A*+TXV	—	TDR	47,500	0.74	12.00	14.00		14.50
	FEM4P60**A*+TXV	—	TDR	48,000	0.74	12.00	14.00		14.50
	FEM4X48****	—	TDR&TXV	48,500	0.74	12.00	14.50		
	FEM4X60****	—	TDR&TXV	49,000	0.74	12.50	15.00		
	FEM4X60**B*	—	TDR&TXV	48,000	0.74	12.00	14.50		
	FS(M,U)4P48**A*+TXV	—	TDR	48,500	0.74	11.50	14.00		14.50
	FS(M,U)4X48****	—	TDR&TXV	48,000	0.74	11.50	14.00		
	FS(M,U)4X60**A*	—	TDR&TXV	48,500	0.74	11.50	14.00		
	FVM4X48****	—	TDR&TXV	48,000	0.74	12.50	15.00		
	FVM4X60****	—	TDR&TXV	48,500	0.74	12.50	15.00		
	FXM4X48**A*	—	TDR&TXV	48,500	0.74	12.50	15.00		
	FXM4X60**A*	—	TDR&TXV	49,000	0.74	12.50	15.00		
NXA660GKA	†EN(A,D)4X61*24**	†	TXV	56,000	0.76	12.00		14.50	
	ED*4X60J**	*8MPV100	TDR&TXV	54,500	0.76	12.00	14.50		
	ED*4X60J**	*8MPV125	TDR&TXV	54,500	0.76	12.00	14.50		
	ED*4X60J**	*9MPV100	TDR&TXV	54,500	0.76	12.00	14.50		
	ED*4X60J**	*9MVX080	TDR&TXV	54,500	0.76	12.00	14.50		
	ED*4X60J**	MV16J22**B*	TDR&TXV	54,500	0.76	13.00	16.00		
	ED*4X60J**		TXV	54,500	0.76	12.00		14.50	
	ED*4X60L**	*8MV*1352422**	TDR&TXV	54,500	0.76	12.50	15.50		
	ED*4X60L**	*8MX*1352420**	TDR&TXV	54,500	0.76	12.50	15.50		
	ED*4X60L**	*9MPV125	TDR&TXV	54,500	0.76	12.00	14.50		
	ED*4X60L**	*9MVX100	TDR&TXV	54,500	0.76	12.50	15.00		
	ED*4X60L**	MV20L24**B*	TDR&TXV	55,000	0.76	13.00	16.00		
	ED*4X60L**	†	TXV	54,500	0.76	12.00		14.50	
	EHD4X60A**	*8MPV100	TDR&TXV	54,500	0.76	12.50	15.00		
	EHD4X60A**	*8MPV125	TDR&TXV	54,500	0.76	12.50	15.00		
	EHD4X60A**	*8MV*1102120**	TDR&TXV	54,500	0.76	12.50	15.50		
	EHD4X60A**	*8MV*1352422**	TDR&TXV	54,500	0.76	13.00	16.00		
	EHD4X60A**	*8MX*1102120**	TDR&TXV	54,500	0.76	13.00	16.00		
	EHD4X60A**	*8MX*1352420**	TDR&TXV	54,500	0.76	12.50	15.50		
	EHD4X60A**	*9MPV100	TDR&TXV	54,500	0.76	12.00	14.50		
	EHD4X60A**	*9MPV125	TDR&TXV	54,500	0.76	12.00	14.50		
	EHD4X60A**	*9MVX080	TDR&TXV	54,500	0.76	12.00	14.50		
	EHD4X60A**	*9MVX100	TDR&TXV	54,500	0.76	12.50	15.00		
	EHD4X60A**	MV16J22**B*	TDR&TXV	54,500	0.76	13.00	16.00		
	EHD4X60A**	MV20L24**B*	TDR&TXV	54,500	0.76	12.50	15.00		
	EHD4X60A**	NOMV156E19*	TDR&TXV	54,500	0.76	12.50	15.00		
	EHD4X60A**	†	TXV	54,500	0.76	12.00		14.50	
	EN(A,D)4X61*24**	*8MPV100	TDR&TXV	55,000	0.76	12.50	15.00		
	EN(A,D)4X61*24**	*8MPV125	TDR&TXV	55,000	0.76	12.50	15.00		
	EN(A,D)4X61*24**	*8MV*1102120**	TDR&TXV	55,000	0.76	12.50	15.50		
	EN(A,D)4X61*24**	*8MV*1352422**	TDR&TXV	55,000	0.76	13.00	16.00		
	EN(A,D)4X61*24**	*8MX*1102120**	TDR&TXV	55,000	0.76	13.00	16.00		
	EN(A,D)4X61*24**	*8MX*1352420**	TDR&TXV	55,000	0.76	13.00	16.00		
	EN(A,D)4X61*24**	*9MPV100	TDR&TXV	55,000	0.76	12.50	15.00		
	EN(A,D)4X61*24**	*9MPV125	TDR&TXV	55,000	0.76	12.50	15.00		
	EN(A,D)4X61*24**	*9MVX080	TDR&TXV	55,500	0.76	12.00	14.50		
	EN(A,D)4X61*24**	*9MVX100	TDR&TXV	55,000	0.76	12.50	15.00		
	EN(A,D)4X61*24**	MV16J22**B*	TDR&TXV	55,000	0.76	13.00	16.00		
	EN(A,D)4X61*24**	MV20L24**B*	TDR&TXV	55,000	0.76	13.00	16.00		
	EN(A,D)4X61*24**	NOMV156E19*	TDR&TXV	55,000	0.76	12.50	15.00		
	EN(A,D,W)4X60*24**	*8MPV100	TDR&TXV	54,500	0.76	12.50	15.00		

2009 ENERGY STAR compliance for combinations with both: SEER 14.50 or higher and EER 12.00 or higher.
† For coils not listed with a matching furnace or blower, coil rating applies with any indoor blower device.

- continued on next page -

COOLING PERFORMANCE FOR COMBINATION RATINGS (continued) Indoor Models

For complete ratings information, use the AHRI website directory search: www.AHRIdirectory.org.
New ratings may be listed online before Specification Sheets are updated.

Outdoor Model	Current Indoor Model († tested combo)	Furnace Model	Factory Installed	Cooling 95° F (35° C)			SEER		
				BTU/hr	S/T	EER	factory	w/ field TDR	w/ field TXV
NXA660GKA (continued)	EN(A,D,W)4X60*24**	*8MPV125	TDR&TXV	54,500	0.76	12.50	15.00		
	EN(A,D,W)4X60*24**	*8MV**1102120**	TDR&TXV	54,500	0.76	12.50	15.50		
	EN(A,D,W)4X60*24**	*8MV**1352422**	TDR&TXV	54,500	0.76	12.50	15.50		
	EN(A,D,W)4X60*24**	*8MX**1102120**	TDR&TXV	54,500	0.76	12.50	15.50		
	EN(A,D,W)4X60*24**	*8MX**1352420**	TDR&TXV	54,500	0.76	12.50	15.50		
	EN(A,D,W)4X60*24**	*9MPV100	TDR&TXV	54,500	0.76	12.00	14.50		
	EN(A,D,W)4X60*24**	*9MPV125	TDR&TXV	54,500	0.76	12.00	14.50		
	EN(A,D,W)4X60*24**	*9MVX080	TDR&TXV	54,500	0.76	12.00	14.50		
	EN(A,D,W)4X60*24**	*9MVX100	TDR&TXV	54,500	0.76	12.00	14.50		
	EN(A,D,W)4X60*24**	MV16J22**B*	TDR&TXV	54,500	0.76	13.00	16.00		
	EN(A,D,W)4X60*24**	MV20L24**B*	TDR&TXV	54,500	0.76	13.00	16.00		
	EN(A,D,W)4X60*24**	NOMV156E19*	TDR&TXV	54,500	0.76	12.00	14.50		
	EN(A,D,W)4X60*24**	†	TXV	54,500	0.76	12.00		14.50	
	ENH4X60*24**	*8MPV100	TDR&TXV	54,500	0.76	12.50	15.00		
	ENH4X60*24**	*8MPV125	TDR&TXV	54,500	0.76	12.50	15.00		
	ENH4X60*24**	*8MV**1102120**	TDR&TXV	54,500	0.76	12.50	15.50		
	ENH4X60*24**	*8MV**1352422**	TDR&TXV	54,500	0.76	12.50	15.50		
	ENH4X60*24**	*8MX**1102120**	TDR&TXV	54,500	0.76	12.50	15.50		
	ENH4X60*24**	*8MX**1352420**	TDR&TXV	54,500	0.76	12.50	15.50		
	ENH4X60*24**	*9MPV100	TDR&TXV	54,500	0.76	12.00	14.50		
	ENH4X60*24**	*9MPV125	TDR&TXV	54,500	0.76	12.00	14.50		
	ENH4X60*24**	*9MVX080	TDR&TXV	54,500	0.76	12.00	14.50		
	ENH4X60*24**	*9MVX100	TDR&TXV	54,500	0.76	12.50	15.00		
	ENH4X60*24**	MV16J22**B*	TDR&TXV	54,500	0.76	13.00	16.00		
	ENH4X60*24**	MV20L24**B*	TDR&TXV	54,500	0.76	13.00	16.00		
	ENH4X60*24**	NOMV156E19*	TDR&TXV	54,500	0.76	12.00	14.50		
	ENH4X60*24**	†	TXV	54,500	0.76	12.00		14.50	
	ENH4X61*24**	*8MPV100	TDR&TXV	54,500	0.76	12.50	15.00		
	ENH4X61*24**	*8MPV125	TDR&TXV	54,500	0.76	12.50	15.00		
	ENH4X61*24**	*8MV**1102120**	TDR&TXV	54,500	0.76	12.50	15.50		
	ENH4X61*24**	*8MV**1352422**	TDR&TXV	54,500	0.76	12.50	15.50		
	ENH4X61*24**	*8MX**1102120**	TDR&TXV	54,500	0.76	12.50	15.50		
	ENH4X61*24**	*8MX**1352420**	TDR&TXV	54,500	0.76	12.50	15.50		
	ENH4X61*24**	*9MPV100	TDR&TXV	54,500	0.76	12.00	14.50		
	ENH4X61*24**	*9MPV125	TDR&TXV	54,500	0.76	12.00	14.50		
	ENH4X61*24**	*9MVX080	TDR&TXV	54,500	0.76	12.00	14.50		
	ENH4X61*24**	*9MVX100	TDR&TXV	54,500	0.76	12.00	14.50		
	ENH4X61*24**	MV16J22**B*	TDR&TXV	54,500	0.76	13.00	16.00		
	ENH4X61*24**	MV20L24**B*	TDR&TXV	54,500	0.76	13.00	16.00		
	ENH4X61*24**	NOMV156E19*	TDR&TXV	54,500	0.76	12.00	14.50		
ENH4X61*24**	†	TXV	55,000	0.76	12.00		14.50		
FEM4P60**A*	—	TDR&TXV	54,500	0.76	12.00	14.50			
FEM4X60****	—	TDR&TXV	55,500	0.76	13.00	16.00			
FEM4X60**B*	—	TDR&TXV	54,500	0.76	12.00	14.50			
FS(M,U)4X60**A*	—	TDR&TXV	55,000	0.76	12.00	14.50			
FVM4X60****	—	TDR&TXV	55,000	0.76	13.00	16.00			
FXM4X60**A*	—	TDR&TXV	55,500	0.76	13.00	16.00			
NXA661GKA	†EN(A,D)4X61*24**	†	TXV	59,500	0.75	12.00		14.50	
	ED*4X60J**	*8MPV100	TDR&TXV	58,500	0.75	11.50	14.00		
	ED*4X60J**	*8MPV125	TDR&TXV	58,500	0.75	11.50	14.00		
	ED*4X60J**	*9MPV100	TDR&TXV	58,500	0.75	11.50	14.00		
	ED*4X60J**	*9MVX080	TDR&TXV	58,500	0.75	11.50	13.50		
	ED*4X60J**	MV16J22**B*	TDR&TXV	58,500	0.75	12.00	14.50		
	ED*4X60J**	†	TXV	58,500	0.75	11.50		14.50	
	ED*4X60L**	*8MV**1352422**	TDR&TXV	58,500	0.75	12.00	14.50		
	ED*4X60L**	*8MX**1352420**	TDR&TXV	58,500	0.75	12.00	14.50		
	ED*4X60L**	*9MPV125	TDR&TXV	58,500	0.75	11.50	14.00		
	ED*4X60L**	*9MVX100	TDR&TXV	58,500	0.75	11.50	14.00		
	ED*4X60L**	MV20L24**B*	TDR&TXV	58,500	0.75	12.00	14.50		

2009 ENERGY STAR compliance for combinations with both: SEER 14.50 or higher and EER 12.00 or higher.

† For coils not listed with a matching furnace or blower, coil rating applies with any indoor blower device.

- continued on next page -

COOLING PERFORMANCE FOR COMBINATION RATINGS (continued) Indoor Models

For complete ratings information, use the AHRI website directory search: www.AHRI.com/directory.org.
New ratings may be listed online before Specification Sheets are updated.

Outdoor Model	Current Indoor Model († tested combo)	Furnace Model	Factory Installed	Cooling 95° F (35° C)			SEER		
				BTU/hr	S/T	EER	factory	w/ field TDR	w/ field TXV
NXA661GKA (continued)	ED*4X60L**	†	TXV	58,500	0.75	11.50		14.00	
	EHD4X60A**	*8MPV100	TDR&TXV	58,500	0.75	11.50	14.00		
	EHD4X60A**	*8MPV125	TDR&TXV	58,500	0.75	11.50	14.00		
	EHD4X60A**	*8MV*1102120**	TDR&TXV	58,500	0.75	12.00	14.50		
	EHD4X60A**	*8MV*1352422**	TDR&TXV	58,500	0.75	12.00	14.50		
	EHD4X60A**	*8MX*1102120**	TDR&TXV	58,500	0.75	12.00	14.50		
	EHD4X60A**	*8MX*1352420**	TDR&TXV	58,500	0.75	12.00	14.50		
	EHD4X60A**	*9MPV100	TDR&TXV	58,500	0.75	11.50	14.00		
	EHD4X60A**	*9MPV125	TDR&TXV	58,500	0.75	11.50	14.00		
	EHD4X60A**	*9MVX080	TDR&TXV	58,500	0.75	11.50	14.00		
	EHD4X60A**	*9MVX100	TDR&TXV	58,500	0.75	11.50	14.00		
	EHD4X60A**	MV16J22**B*	TDR&TXV	58,500	0.75	12.00	14.50		
	EHD4X60A**	MV20L24**B*	TDR&TXV	58,500	0.75	12.00	14.50		
	EHD4X60A**	NOMV156E19*	TDR&TXV	58,500	0.75	11.50	14.00		
	EHD4X60A**	†	TXV	58,500	0.75	11.50		14.00	
	EN(A,D)4X61*24**	*8MPV100	TDR&TXV	58,500	0.75	12.00	14.50		
	EN(A,D)4X61*24**	*8MPV125	TDR&TXV	58,500	0.75	12.00	14.50		
	EN(A,D)4X61*24**	*8MV*1102120**	TDR&TXV	58,500	0.75	12.00	14.50		
	EN(A,D)4X61*24**	*8MV*1352422**	TDR&TXV	58,500	0.75	12.00	14.50		
	EN(A,D)4X61*24**	*8MX*1102120**	TDR&TXV	58,500	0.75	12.00	14.50		
	EN(A,D)4X61*24**	*8MX*1352420**	TDR&TXV	58,500	0.75	12.00	14.50		
	EN(A,D)4X61*24**	*9MPV100	TDR&TXV	58,500	0.75	11.50	14.00		
	EN(A,D)4X61*24**	*9MPV125	TDR&TXV	58,500	0.75	11.50	14.00		
	EN(A,D)4X61*24**	*9MVX080	TDR&TXV	58,500	0.75	11.50	14.00		
	EN(A,D)4X61*24**	*9MVX100	TDR&TXV	58,500	0.75	11.50	14.00		
	EN(A,D)4X61*24**	MV16J22**B*	TDR&TXV	58,500	0.75	12.00	14.50		
	EN(A,D)4X61*24**	MV20L24**B*	TDR&TXV	58,500	0.75	12.00	14.50		
	EN(A,D)4X61*24**	NOMV156E19*	TDR&TXV	58,500	0.75	11.50	14.00		
	EN(A,D,W)4X60*24**	*8MPV100	TDR&TXV	58,500	0.75	11.50	14.00		
	EN(A,D,W)4X60*24**	*8MPV125	TDR&TXV	58,500	0.75	11.50	14.00		
	EN(A,D,W)4X60*24**	*8MV*1102120**	TDR&TXV	58,500	0.75	12.00	14.50		
	EN(A,D,W)4X60*24**	*8MV*1352422**	TDR&TXV	58,500	0.75	12.00	14.50		
	EN(A,D,W)4X60*24**	*8MX*1102120**	TDR&TXV	58,500	0.75	12.00	14.50		
	EN(A,D,W)4X60*24**	*8MX*1352420**	TDR&TXV	58,500	0.75	12.00	14.50		
	EN(A,D,W)4X60*24**	*9MPV100	TDR&TXV	58,500	0.75	11.50	14.00		
	EN(A,D,W)4X60*24**	*9MPV125	TDR&TXV	58,500	0.75	11.50	14.00		
	EN(A,D,W)4X60*24**	*9MVX080	TDR&TXV	58,500	0.75	11.50	14.00		
	EN(A,D,W)4X60*24**	*9MVX100	TDR&TXV	58,500	0.75	11.50	14.00		
	EN(A,D,W)4X60*24**	MV16J22**B*	TDR&TXV	58,500	0.75	12.00	14.50		
	EN(A,D,W)4X60*24**	MV20L24**B*	TDR&TXV	58,500	0.75	12.00	14.50		
	EN(A,D,W)4X60*24**	NOMV156E19*	TDR&TXV	58,000	0.75	11.50	14.00		
	EN(A,D,W)4X60*24**	†	TXV	59,000	0.75	11.50		14.00	
	ENH4X60*24**	*8MPV100	TDR&TXV	58,500	0.75	11.50	14.00		
	ENH4X60*24**	*8MPV125	TDR&TXV	58,500	0.75	11.50	14.00		
	ENH4X60*24**	*8MV*1102120**	TDR&TXV	58,500	0.75	12.00	14.50		
ENH4X60*24**	*8MV*1352422**	TDR&TXV	58,500	0.75	12.00	14.50			
ENH4X60*24**	*8MX*1102120**	TDR&TXV	58,500	0.75	12.00	14.50			
ENH4X60*24**	*8MX*1352420**	TDR&TXV	58,500	0.75	12.00	14.50			
ENH4X60*24**	*9MPV100	TDR&TXV	58,500	0.75	11.50	14.00			
ENH4X60*24**	*9MPV125	TDR&TXV	58,500	0.75	11.50	14.00			
ENH4X60*24**	*9MVX080	TDR&TXV	58,500	0.75	11.50	14.00			
ENH4X60*24**	*9MVX100	TDR&TXV	58,500	0.75	11.50	14.00			
ENH4X60*24**	MV16J22**B*	TDR&TXV	58,500	0.75	12.00	14.50			
ENH4X60*24**	MV20L24**B*	TDR&TXV	58,500	0.75	13.35	14.50			
ENH4X60*24**	NOMV156E19*	TDR&TXV	58,000	0.75	11.50	14.00			
ENH4X60*24**	†	TXV	58,500	0.75	11.50		14.00		
ENH4X61*24**	*8MPV100	TDR&TXV	58,500	0.75	11.50	14.00			
ENH4X61*24**	*8MPV125	TDR&TXV	58,500	0.75	11.50	14.00			
ENH4X61*24**	*8MV*1102120**	TDR&TXV	58,500	0.75	12.00	14.50			

2009 ENERGY STAR compliance for combinations with both: SEER 14.50 or higher and EER 12.00 or higher.
† For coils not listed with a matching furnace or blower, coil rating applies with any indoor blower device.

- continued on next page -

COOLING PERFORMANCE FOR COMBINATION RATINGS (continued) Indoor Models

For complete ratings information, use the AHRI website directory search: www.AHRIdirectory.org.
New ratings may be listed online before Specification Sheets are updated.

Outdoor Model	Current Indoor Model († tested combo)	Furnace Model	Factory Installed	Cooling 95° F (35° C)			SEER		
				BTU/hr	S/T	EER	factory	w/ field TDR	w/ field TXV
NXA661GKA (continued)	ENH4X61*24**	*8MV*1352422**	TDR&TXV	58,500	0.75	12.00	14.50		
	ENH4X61*24**	*8MX*1102120**	TDR&TXV	58,500	0.75	12.00	14.50		
	ENH4X61*24**	*8MX*1352420**	TDR&TXV	58,500	0.75	12.00	14.50		
	ENH4X61*24**	*9MPV100	TDR&TXV	58,500	0.75	11.50	14.00		
	ENH4X61*24**	*9MPV125	TDR&TXV	58,500	0.75	11.50	14.00		
	ENH4X61*24**	*9MVX080	TDR&TXV	58,500	0.75	11.50	14.00		
	ENH4X61*24**	*9MVX100	TDR&TXV	58,500	0.75	11.50	14.00		
	ENH4X61*24**	MV16J22**B*	TDR&TXV	58,500	0.75	12.00	14.50		
	ENH4X61*24**	MV20L24**B*	TDR&TXV	58,500	0.75	12.00	14.50		
	ENH4X61*24**	NOMV156E19*	TDR&TXV	58,500	0.75	11.50	14.00		
	ENH4X61*24**	†	TXV	58,500	0.75	12.00		14.50	
	FEM4P60**A*	—	TDR&TXV	58,000	0.75	12.00	14.50		
	FEM4X60****	—	TDR&TXV	60,000	0.75	12.00	14.50		
	FEM4X60**B*	—	TDR&TXV	58,000	0.75	12.00	14.50		
	FS(M,U)4X60**A*	—	TDR&TXV	59,000	0.75	11.50	13.50		
	FVM4X60****	—	TDR&TXV	59,000	0.75	12.50	15.00		
	FXM4X60**A*	—	TDR&TXV	59,500	0.75	12.00	14.50		

2009 ENERGY STAR compliance for combinations with both: SEER 14.50 or higher and EER 12.00 or higher.

† For coils not listed with a matching furnace or blower, coil rating applies with any indoor blower device.

ACCESSORY USAGE GUIDELINES		
Accessory	REQUIRED FOR LOW-AMBIENT APPLICATIONS {Below 55°F (13°C)}	REQUIRED FOR LONG LINE APPLICATIONS* {Over 80 Ft. (24.4m)}
Crankcase Heater	Yes	Yes
Evaporator Freeze Thermostat	Yes	No
Winter Start Control	Yes **	No
Hard Start Kit (Capacitor & Relay)	Yes	Yes
Low Ambient Kit (Pressure Switch)	Yes	No
Support Feet, 4" (102mm) tall	Recommended	No
Liquid Line Solenoid Valve	No	See Long-Line Application Guideline

* For Line Set lengths between 80 and 200 ft (24.4 and 61m) horizontal, or more than 20 ft (6.1m) indoor-outdoor vertical separation, refer to the Long Line Application Guideline document.

** Can only be installed in conjunction with Low Pressure Switch.

ACCESSORIES		
Part Number	Description	Used On Model Size
NASA003CH	Crankcase Heater for Scroll Compressor (208/230 V)	18, 24, 30, 36
NASA001CH	Crankcase Heater for Scroll Compressor (208/230 V)	42, 48, 49, 60, 61 *
NASA001SC	Start Component - PTC Device	ALL
NASA001FS	Evaporator Freeze Thermostat	ALL
NASA403PS	Low Pressure Switch, AC, R-410A	ALL
NASA404PS	High Pressure Switch, AC or HP, R-410A	ALL
NASA401LS	Liquid Line Solenoid Valve, R-410A	ALL
NASA001TD	Time Delay Relay, Indoor Blower	ALL
NASA001WS	Winter Start Control	ALL
NASA001AC	Anti-Cycle Timer (5 minute delay)	ALL
NASA005SC	Hard Start Kit (Capacitor & Relay)	ALL
NASA401LA	Low Ambient Kit (Pressure Switch), R-410A	ALL
NASA001SF	Support Feet, 4" (102mm) tall	ALL
NASA001SJ	Sound Jacket, Compressor	18, 24, 30, 36, 42, 48, 49
NASA003SJ	Sound Jacket, Compressor	60, 61
NAEA40501TX	TXV Kit, R-410A - 2010 and later Piston Coils	18, 24, 30
NAEA40601TX	TXV Kit, R-410A - 2010 and later Piston Coils	36, 42
NAEA40701TX	TXV Kit, R-410A - 2010 and later Piston Coils	48, 49, 60, 61
EBAC05TXVX	TXV Kit, R-410A - 2005-2009 R-22 TXV Fancoils (air handlers)	18, 24, 30
EBAC06TXVX	TXV Kit, R-410A - 2005-2009 R-22 TXV Fancoils (air handlers)	36, 42
EBAC07TXVX	TXV Kit, R-410A - 2005-2009 R-22 TXV Fancoils (air handlers)	48, 49, 60, 61

* Some models may be factory installed.