



HIGH EFFICIENCY 14 SEER AIR CONDITIONER ENVIRONMENTALLY SOUND R-410A REFRIGERANT

1-1/2 THRU 5 TONS SPLIT SYSTEM

208 / 230 Volt, 1-phase, 60 Hz

REFRIGERATION CIRCUIT

- Copeland® compressors on all models
- Filter-Drier supplied with every unit for field installation
- Copper tube / aluminum fin coil

EASY TO INSTALL AND SERVICE

- Easy Access service valves on all models
- External high and low refrigerant service ports
- Only two screws to access control panel
- Factory charged with R-410A refrigerant

BUILT TO LAST

- Baked-on powder coat finish over galvanized steel
- Post-painted (black) coil fins
- Coated, weather-resistant cabinet screws
- Coated inlet grille with 2" (51mm) spacing standard, alternate models available with 3/8" (10mm) grille spacing for extra protection (hail guard)

WARRANTY*

- 5 year compressor limited warranty
- 5 year parts limited warranty (including compressor and coil)
 - With timely registration, an additional 5 year parts limited warranty (including compressor and coil)

* Applies to original purchaser/homeowner, some limitations may apply. See Warranty certificate for complete details.



This product has been designed and manufactured to meet ENERGY STAR criteria for energy efficiency when matched with appropriate coil components. However, proper refrigerant charge and proper air flow are critical to achieve rated capacity and efficiency. Installation of this product should follow the manufacturer's refrigerant charging and air flow instructions. Failure to confirm proper charge and airflow may reduce energy efficiency and shorten equipment life.

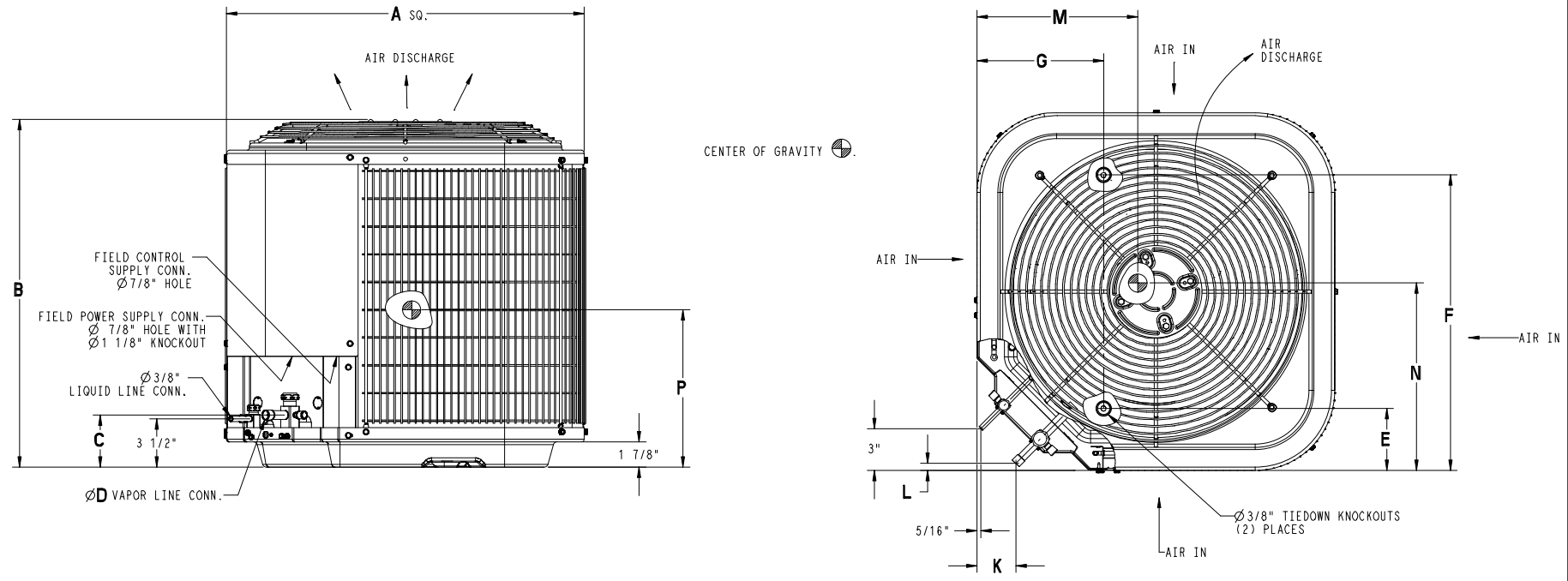


Use of the AHRI Certified TM Mark indicates a manufacturer's participation in the program. For verification of certification for individual products, go to www.ahridirectory.org.

| Model Number | Size (tons) | Nominal BTU/hr | Min. Circuit Ampacity | Max. Fuse or Breaker | Operating Dimensions height x width x depth in. (mm) | Ship / Operating Weight lbs. (kg) |
|--------------|---|----------------|-----------------------|----------------------|--|-----------------------------------|
| N4A418AKA | 1-1/2 | 18,000 | 11.7 | 15 | 35-3/4 x 31-3/16 x 31-3/16 (908 x 792 x 792) | 199 / 171 (90 / 78) |
| 18GKA | same model with 3/8" spacing inlet grille | | | | | |
| N4A424AKB | 2 | 24,000 | 17.3 | 30 | 28-15/16 x 35 x 35 (735 x 889 x 889) | 199 / 158 (90 / 72) |
| 24GKB | same model with 3/8" spacing inlet grille | | | | | |
| N4A430AKB | 2-1/2 | 30,000 | 18.1 | 30 | 28-15/16 35 x 35 (735 x 889 x 889) | 197 / 158 (89 / 72) |
| 30GKB | same model with 3/8" spacing inlet grille | | | | | |
| N4A436AKA | 3 | 36,000 | 22.0 | 35 | 35-3/4 x 35 x 35 (908 x 889 x 889) | 225 / 191 (102 / 87) |
| 36GKA | same model with 3/8" spacing inlet grille | | | | | |
| N4A442AKB | 3-1/2 | 42,000 | 23.6 | 40 | 39-1/8 x 35 x 35 (994 x 889 x 889) | 263 / 225 (119 / 102) |
| 42GKB | same model with 3/8" spacing inlet grille | | | | | |
| N4A448AKB | 4 | 48,000 | 28.4 | 40 | 39-1/8 x 35 x 35 (994 x 889 x 889) | 269 / 231 (122 / 105) |
| 48GKB | same model with 3/8" spacing inlet grille | | | | | |
| N4A449AKB | 4 | 48,000 | 26.1 | 40 | 39-1/8 x 35 x 35 (994 x 889 x 889) | 317 / 264 (144 / 120) |
| 49GKB | same model with 3/8" spacing inlet grille | | | | | |
| N4A460AKB | 5 | 60,000 | 34.2 | 50 | 39-1/8 x 35 x 35 (994 x 889 x 889) | 310 / 272 (141 / 123) |
| 60GKB | same model with 3/8" spacing inlet grille | | | | | |

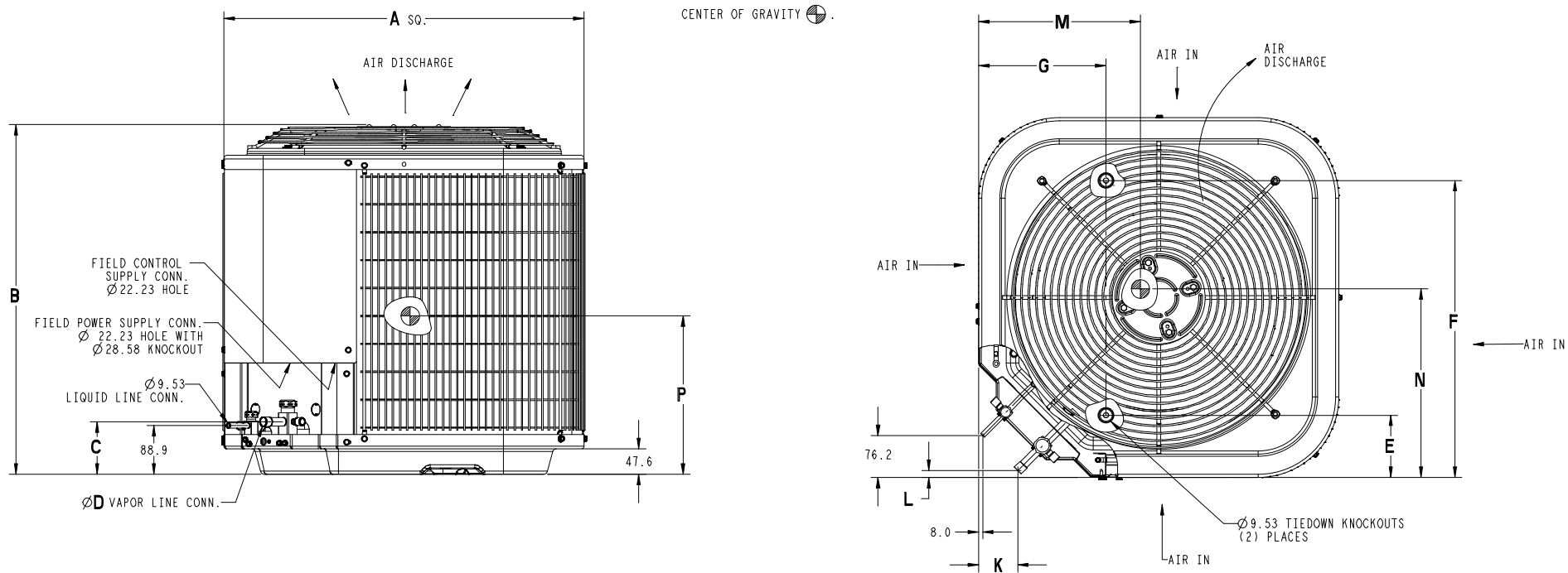
| OUTDOOR UNIT MODEL NUMBER IDENTIFICATION GUIDE (single phase) | | | | | | | | | | | |
|--|----------|----------|----------|----------|-----------|----------|----------|----------|----------|----------|----------|
| Digit Position: | 1 | 2 | 3 | 4 | 5, 6 | 7 | 8 | 9 | 10 | 11 | 12 |
| Example Part Number: | N | 4 | A | 4 | 18 | A | K | B | 2 | 0 | 0 |
| T = Tempstar Mainline | | | | | | | | | | | |
| N = Tempstar Entry BRANDING | | | | | | | | | | | |
| 2 = R-22 | | | | | | | | | | | |
| 4 = R-410A REFRIGERANT | | | | | | | | | | | |
| A = Air Conditioner | | | | | | | | | | | |
| H = Heat Pump TYPE | | | | | | | | | | | |
| 3 = 13 SEER | | | | | | | | | | | |
| 4 = 14 SEER NOMINAL EFFICIENCY | | | | | | | | | | | |
| 18 = 18,000 BTUH = 1-1/2 tons | | | | | | | | | | | |
| 24 = 24,000 BTUH = 2 tons | | | | | | | | | | | |
| 30 = 30,000 BTUH = 2-1/2 tons | | | | | | | | | | | |
| 36 = 36,000 BTUH = 3 tons | | | | | | | | | | | |
| 42 = 42,000 BTUH = 3-1/2 tons | | | | | | | | | | | |
| 48 = 48,000 BTUH = 4 tons | | | | | | | | | | | |
| 49 = 48,000 BTUH = 4 tons | | | | | | | | | | | |
| 60 = 60,000 BTUH = 5 tons NOMINAL CAPACITY | | | | | | | | | | | |
| A = Standard Grille | | | | | | | | | | | |
| G = Coil Guard Grille | | | | | | | | | | | |
| C = Coastal FEATURES | | | | | | | | | | | |
| K = 208/230-1-60 VOLTAGE | | | | | | | | | | | |
| Sales Code | | | | | | | | | | | |
| Engineering Revision | | | | | | | | | | | |
| Extra Digit | | | | | | | | | | | |
| Extra Digit | | | | | | | | | | | |

| ACCESSORIES PART NUMBER IDENTIFICATION GUIDE | | | | | | | | | | |
|---|----------|----------|----------|----------|----------|-----------|-----------|-----------|--|--|
| Digit Position: | 1 | 2 | 3 | 4 | 5 | 6, 7 | 8, 9 | 10, 11 | | |
| Example Part Number: | N | A | S | A | 0 | 01 | 01 | CH | | |
| N = Non-Branded BRANDING | | | | | | | | | | |
| A = Accessory PRODUCT GROUP | | | | | | | | | | |
| S = Split System (AC & HP) KIT USAGE | | | | | | | | | | |
| A = Original | | | | | | | | | | |
| B = 2nd Generation MAJOR SERIES | | | | | | | | | | |
| 0 = Generic or Not Applicable | | | | | | | | | | |
| 2 = R-22 | | | | | | | | | | |
| 4 = R-410A REFRIGERANT | | | | | | | | | | |
| Product Identifier Number | | | | | | | | | | |
| Package Quantity | | | | | | | | | | |
| Type of Kit (Example: CH = Crankcase Heater) | | | | | | | | | | |



All Dimensions Inches (English)

| Model (* = A or G) | All Dimensions Inches (English) | | | | | | | | | | | | Minimum Mounting Pad Size | Crated Dimensions B(h) x (w) x A(d) |
|-----------------------|---------------------------------|---------------------------------|-------------------------------|-------------------------------|--------------------------------|----------------------------------|-------------------------------|---------------------------------|-----|--------------------------------|--------------------------------|--------------------------------|---|--|
| | A | B | C | D | E | F | G | K | L | M | N | P | | |
| N4A418*KA | 31 ¹ / ₁₆ | 35 ³ / ₄ | 3 ³ / ₄ | 5 ⁵ / ₈ | 6 ⁹ / ₁₆ | 24 ¹¹ / ₁₆ | 9 ¹ / ₈ | 2 ¹³ / ₁₆ | 1/2 | 16 ¹ / ₄ | 16 | 16 ⁵ / ₈ | 31 ¹ / ₂ x 31 ¹ / ₂ | 39 ³ / ₈ x 32 ³ / ₈ x 35 ¹ / ₂ |
| N4A424*KB | 35 | 28 ⁵ / ₁₆ | 3 ³ / ₄ | 5 ⁵ / ₈ | 6 ⁹ / ₁₆ | 28 ⁷ / ₁₆ | 9 ¹ / ₈ | 2 ¹³ / ₁₆ | 1/2 | 17 ³ / ₈ | 15 ³ / ₄ | 13 ¹ / ₂ | 35 x 35 | 32 ⁹ / ₁₆ x 36 ¹ / ₈ x 39 ⁵ / ₁₆ |
| N4A430*KB | 35 | 28 ⁵ / ₁₆ | 3 ³ / ₄ | 3/4 | 6 ⁹ / ₁₆ | 28 ⁷ / ₁₆ | 9 ¹ / ₈ | 2 ¹³ / ₁₆ | 1/2 | 15 ⁷ / ₈ | 16 ³ / ₈ | 13 ³ / ₄ | 35 x 35 | 32 ⁹ / ₁₆ x 36 ¹ / ₈ x 39 ⁵ / ₁₆ |
| N4A436*KA | 35 | 35 ³ / ₄ | 3 ³ / ₄ | 3/4 | 6 ⁹ / ₁₆ | 28 ⁷ / ₁₆ | 9 ¹ / ₈ | 2 ¹³ / ₁₆ | 1/2 | 18 ¹ / ₄ | 18 ¹ / ₂ | 17 ¹ / ₂ | 35 x 35 | 39 ³ / ₈ x 36 ¹ / ₈ x 39 ⁵ / ₁₆ |
| N4A442*KB | 35 | 39 ¹ / ₈ | 3 ⁷ / ₈ | 7/8 | 6 ⁹ / ₁₆ | 28 ⁷ / ₁₆ | 9 ¹ / ₈ | 2 ¹⁵ / ₁₆ | 5/8 | 18 ¹ / ₂ | 16 ¹ / ₄ | 16 ¹ / ₂ | 35 x 35 | 42 ³ / ₄ x 36 ¹ / ₈ x 39 ⁵ / ₁₆ |
| N4A448*KB | 35 | 39 ¹ / ₈ | 3 ⁷ / ₈ | 7/8 | 6 ⁹ / ₁₆ | 28 ⁷ / ₁₆ | 9 ¹ / ₈ | 2 ¹⁵ / ₁₆ | 5/8 | 17 ¹ / ₂ | 16 ¹ / ₂ | 15 | 35 x 35 | 42 ³ / ₄ x 36 ¹ / ₈ x 39 ⁵ / ₁₆ |
| N4A449*KB | 35 | 39 ¹ / ₈ | 3 ⁷ / ₈ | 7/8 | 6 ⁹ / ₁₆ | 28 ⁷ / ₁₆ | 9 ¹ / ₈ | 2 ¹⁵ / ₁₆ | 5/8 | 17 ¹ / ₂ | 16 ¹ / ₂ | 15 | 35 x 35 | 42 ³ / ₄ x 36 ¹ / ₈ x 39 ⁵ / ₁₆ |
| N4A460*KB | 35 | 39 ¹ / ₈ | 3 ⁷ / ₈ | 7/8 | 6 ⁹ / ₁₆ | 28 ⁷ / ₁₆ | 9 ¹ / ₈ | 2 ¹⁵ / ₁₆ | 5/8 | 16 ¹ / ₂ | 17 | 16 ¹ / ₄ | 35 x 35 | 42 ³ / ₄ x 36 ¹ / ₈ x 39 ⁵ / ₁₆ |



| Model (* = A or G) | Dimensions mm (SI Metric) | | | | | | | | | | | | Minimum Mounting Pad Size | Crated Dimensions h x w x d |
|-----------------------|---------------------------|-----|----|----|-----|-----|-----|----|----|-----|-----|-----|---------------------------------|-----------------------------------|
| | A | B | C | D | E | F | G | K | L | M | N | P | | |
| N4A418*KA | 792 | 908 | 95 | 16 | 167 | 627 | 232 | 71 | 13 | 412 | 406 | 422 | 800 x 800 | 1000 x 902 x 822 |
| N4A424*KB | 889 | 719 | 95 | 16 | 167 | 722 | 232 | 71 | 13 | 441 | 400 | 343 | 889 x 889 | 827 x 999 x 918 |
| N4A430*KB | 889 | 719 | 95 | 19 | 167 | 722 | 232 | 71 | 13 | 403 | 416 | 349 | 889 x 889 | 827 x 999 x 918 |
| N4A436*KA | 889 | 908 | 95 | 19 | 167 | 722 | 232 | 71 | 13 | 464 | 470 | 445 | 889 x 889 | 1000 x 999 x 918 |
| N4A442*KB | 889 | 994 | 98 | 22 | 167 | 722 | 232 | 75 | 16 | 470 | 413 | 419 | 889 x 889 | 1086 x 999 x 918 |
| N4A448*KB | 889 | 994 | 98 | 22 | 167 | 722 | 232 | 75 | 16 | 445 | 419 | 381 | 889 x 889 | 1086 x 999 x 918 |
| N4A449*KB | 889 | 994 | 98 | 22 | 167 | 722 | 232 | 75 | 16 | 445 | 419 | 381 | 889 x 889 | 1086 x 999 x 918 |
| N4A460*KB | 889 | 994 | 98 | 22 | 167 | 722 | 232 | 75 | 16 | 419 | 431 | 413 | 889 x 889 | 1086 x 999 x 918 |

| PHYSICAL DATA | | | | | | | | |
|--|----------------|----------------|----------------|----------------|----------------|----------------|-----------------|-----------------|
| Model Size | 18 | 24 | 30 | 36 | 42 | 48 | 49 | 60 |
| Nominal Cooling Capacity (BTU/hr) | 18,000 | 24,000 | 30,000 | 36,000 | 42,000 | 48,000 | 48,000 | 60,000 |
| Nominal SEER | 14.0 | 14.0 | 14.0 | 14.0 | 14.0 | 14.0 | 14.0 | 14.0 |
| Sound Rating (dBA)** | 76 | 76 | 76 | 76 | 77 | 78 | 78 | 78 |
| PSC Fan Motor HP | 1/12 | 1/12 | 1/12 | 1/5 | 1/5 | 1/4 | 1/4 | 1/4 |
| Fan RPM (single speed) | 800 | 800 | 800 | 800 | 800 | 800 | 800 | 800 |
| Fan CFM | 2235 | 3223 | 3223 | 3800 | 3800 | 4046 | 4046 | 4046 |
| Coil Face Area ft ² (m ²) | 19.40 (1.8) | 17.60 (1.6) | 17.60 (1.6) | 22.63 (2.1) | 25.15 (2.3) | 25.15 (2.3) | 25.15 (2.3) | 25.15 (2.3) |
| Coil Rows – fins per inch | 1 – 25 | 1 – 25 | 1 – 25 | 1 – 25 | 1 – 25 | 1 – 25 | 2 – 20 | 2 – 20 |
| Liquid Line Connection Size in. (mm) | 3/8 (10) | 3/8 (10) | 3/8 (10) | 3/8 (10) | 3/8 (10) | 3/8 (10) | 3/8 (10) | 3/8 (10) |
| Vapor Line Connection Size in. (mm) | 5/8 (16) | 5/8 (16) | 3/4 (19) | 3/4 (19) | 7/8 (22) | 7/8 (22) | 7/8 (22) | 7/8 (22) |
| Recommended Line Set Liquid Tube Diameter in. (mm) | 3/8 (10) | 3/8 (10) | 3/8 (10) | 3/8 (10) | 3/8 (10) | 3/8 (10) | 3/8 (10) | 3/8 (10) |
| Recommended Line Set Vapor Tube Diameter in. (mm) | 5/8 (16)* | 5/8 (16)* | 3/4 (19) * | 3/4 (19) * | 7/8 (22)* | 7/8 (22)* | 7/8 (22)* | 1 1/8 (29)* |
| * Recommended Vapor Tube Line size is for standard installations. These recommendations may not apply to “Long Line” installations. When the total equivalent line length exceeds 80 feet (24.4m) or there is more than 20 feet (6.1m) vertical separation between indoor and outdoor units, consult the Long Line Application Guide line document before purchasing/installing line sets. | | | | | | | | |
| Factory Charge R-410A lbs. (kg) | 5.40 (2.45) | 5.48 (2.49) | 5.80 (2.63) | 6.97 (3.16) | 8.70 (3.95) | 9.00 (4.08) | 13.00 (5.90) | 11.37 (5.16) |
| Required Subcooling °F (°C) | 10 (6) | 10 (6) | 11 (6) | 10 (6) | 8 (4) | 8 (4) | 8 (4) | 9 (5) |
| Weight, shipping lbs. (kg) | 199 (90) | 199 (90) | 197 (89) | 225 (102) | 263 (119) | 269 (122) | 317 (144) | 310 (141) |
| Weight, operating lbs. (kg) | 171 (78) | 158 (72) | 158 (72) | 191 (87) | 225 (102) | 231 (105) | 264 (120) | 272 (123) |

| ELECTRICAL DATA (208/230-1-60, voltage range 197V – 253V) | | | | | | | | |
|---|-------------|--------------|--------------|--------------|---------------|---------------|---------------|---------------|
| Model Size | 18 | 24 | 30 | 36 | 42 | 48 | 49 | 60 |
| Minimum Circuit Ampacity – MCA (amps) | 11.7 | 17.3 | 18.1 | 22.0 | 23.6 | 28.4 | 26.1 | 34.2 |
| Maximum OverCurrent Protective device – MOCP (amps) | 15 | 30 | 30 | 35 | 40 | 40 | 40 | 50 |
| Compressor RLA (Rated Load Amps) LRA (Locked Rotor Amps) | 9.0 48.0 | 13.5 58.3 | 14.1 73.0 | 16.7 79.0 | 17.9 112.0 | 21.8 117.0 | 19.9 109.0 | 26.4 134.0 |
| Fan Motor FLA (Full Load Amps) | .50 | .50 | .50 | 1.2 | 1.2 | 1.2 | 1.2 | 1.2 |

**Sound Rating tested in accordance with ARI Standard 270-95 (not listed with ARI).

R-410A COOLING CAPACITY LOSS FOR VARIOUS LINE LENGTHS & TUBE DIAMETERS

| Model Size | Liquid Line in.(mm) | Acceptable Vapor Line Sizes in. (mm) | Cooling Capacity Loss (%) at Total Equivalent Line Length, feet (m) Refer to Long Line Application Guideline to calculate equivalent length | | | | | | | | | | |
|------------|---------------------|--------------------------------------|--|---------------|---------------|--|----------------|----------------|----------------|----------------|--------------|----------------|----------------|
| | | | Standard Application | | | Long Line Application (Requires Accessories) | | | | | | | |
| | | | 25' (7.6) | 50' (15.2) | 80' (24.4) | 81' (24.7) | 100' (30.5) | 125' (38.1) | 150' (45.7) | 175' (53.3) | 200' (61) | 225' (68.6) | 250' (76.2) |
| 18 | 3/8 (10) | 1/2 (13) | 1 | 2 | 3 | 3 | 4 | 6 | 7 | 8 | 9 | 10 | 12 |
| | | 5/8 (16) | 0 | 0 | 1 | 1 | 1 | 1 | 2 | 2 | 3 | 3 | 3 |
| 24 | | 5/8 (16) | 0 | 1 | 1 | 1 | 2 | 3 | 3 | 4 | 4 | 5 | 6 |
| | | 3/4 (19) | 0 | 0 | 0 | 0 | 0 | 1 | 1 | 1 | 1 | 1 | 2 |
| 30 | | 5/8 (16) | 1 | 2 | 3 | 3 | 3 | 4 | 5 | 6 | 7 | 8 | 9 |
| | | 3/4 (19) | 0 | 0 | 1 | 1 | 1 | 1 | 2 | 2 | 2 | 3 | 3 |
| | | 7/8 (22) | 0 | 0 | 0 | 0 | 0 | 1 | 1 | 1 | 1 | 1 | 1 |
| 36 | | 5/8 (16) | 1 | 2 | 4 | 4 | 5 | 6 | 7 | 9 | 10 | 11 | 13 |
| | | 3/4 (19) | 0 | 0 | 1 | 1 | 1 | 2 | 2 | 3 | 3 | 4 | 4 |
| | | 7/8 (22) | 0 | 0 | 0 | 0 | 0 | 1 | 1 | 1 | 1 | 2 | 2 |
| 42 | | 3/4 (19) | 0 | 1 | 2 | 2 | 2 | 3 | 4 | 4 | 5 | 6 | 6 |
| | | 7/8 (22) | 0 | 0 | 1 | 1 | 1 | 1 | 2 | 2 | 2 | 3 | 3 |
| 48/49 | 3/4 (19) | 0 | 1 | 2 | 2 | 3 | 4 | 5 | 5 | 6 | 7 | 8 | |
| | 7/8 (22) | 0 | 0 | 1 | 1 | 1 | 2 | 2 | 2 | 3 | 3 | 4 | |
| 60 | 3/4 (19) | 1 | 2 | 4 | 4 | 5 | 6 | 7 | 9 | 10 | 11 | 12 | |
| | 7/8 (22) | 0 | 1 | 2 | 2 | 2 | 3 | 4 | 4 | 5 | 5 | 6 | |
| | 1 1/8 (29) | 0 | 0 | 0 | 0 | 1 | 1 | 1 | 1 | 1 | 1 | 2 | |

* Applications are considered "Long Line" if the total equivalent tubing length exceeds 80 feet (24.4m) or there is more than 20 foot (6.1m) vertical separation between indoor and outdoor units. These applications require additional accessories and system modifications for reliable system operation.

Applications in shaded area may have height restrictions that limit allowable total equivalent length when outdoor unit is below indoor unit.

COOLING PERFORMANCE FOR COMBINATION RATINGS Indoor Models

For complete ratings information, use the AHRI website directory search: www.AHRIdirectory.org.
New ratings may be listed online before Specification Sheets are updated.

| Outdoor Model | Current Indoor Model (‡ tested combo) | Furnace Model | Factory Installed | Cooling (95 ° F) | | | SEER | |
|------------------------|--|---------------|-------------------|------------------|-------|-------|---------|--------------|
| | | | | BTU/hr | S/T | EER | factory | w/ field TDR |
| N4A418AKA N4A418GKA | ‡ED*4X24B** | † | TXV | 18,100 | 0.76 | 11.50 | | 14.00 |
| | ED*4X18B** | *8MPV050 | TDR&TXV | 18,000 | 0.76 | 12.50 | 15.00 | |
| | ED*4X18B** | MV08B15**B* | TDR&TXV | 17,800 | 0.76 | 13.00 | 15.00 | |
| | ED*4X18B** | † | TXV | 17,800 | 0.76 | 11.00 | | 13.50 |
| | ED*4X24B** | *8MPV050 | TDR&TXV | 18,500 | 0.76 | 13.00 | 15.50 | |
| | ED*4X24B** | MV08B15**B* | TDR&TXV | 18,000 | 0.76 | 13.00 | 15.00 | |
| | ED*4X24F** | *8MPV050 | TDR&TXV | 18,600 | 0.76 | 13.00 | 15.50 | |
| | ED*4X24F** | *9MPV050 | TDR&TXV | 18,600 | 0.76 | 13.00 | 15.50 | |
| | ED*4X24F** | *9MPV075 | TDR&TXV | 18,600 | 0.76 | 13.00 | 15.50 | |
| | ED*4X24F** | *9MVX040 | TDR&TXV | 18,600 | 0.76 | 13.00 | 15.50 | |
| | ED*4X24F** | *9MVX060 | TDR&TXV | 18,600 | 0.76 | 13.00 | 15.50 | |
| | ED*4X24F** | † | TXV | 18,100 | 0.76 | 11.50 | | 14.00 |
| | ED*4X30B** | *8MPV050 | TDR&TXV | 18,600 | 0.76 | 13.00 | 15.50 | |
| | ED*4X30B** | MV08B15**B* | TDR&TXV | 18,300 | 0.76 | 13.00 | 16.00 | |
| | ED*4X30F** | *8MPV050 | TDR&TXV | 18,600 | 0.76 | 13.00 | 16.00 | |
| | ED*4X30F** | *8MPV050 | TDR&TXV | 18,800 | 0.76 | 13.00 | 16.00 | |
| | ED*4X30F** | *9MPV050 | TDR&TXV | 18,700 | 0.76 | 13.00 | 16.00 | |
| | ED*4X30F** | *9MPV050 | TDR&TXV | 18,800 | 0.76 | 13.00 | 16.00 | |
| | ED*4X30F** | *9MPV075 | TDR&TXV | 18,800 | 0.76 | 13.00 | 16.00 | |
| | ED*4X30F** | *9MVX060 | TDR&TXV | 19,000 | 0.76 | 13.00 | 16.00 | |
| | ED*4X36B** | *8MPV050 | TDR&TXV | 18,800 | 0.76 | 13.00 | 16.00 | |
| | ED*4X36B** | *9MVX060 | TDR&TXV | 19,000 | 0.76 | 13.00 | 16.00 | |
| | ED*4X36F** | *8MPV050 | TDR&TXV | 18,900 | 0.76 | 13.00 | 16.00 | |
| | ED*4X36F** | *9MPV050 | TDR&TXV | 19,000 | 0.76 | 13.00 | 16.00 | |
| | ED*4X36F** | *9MPV075 | TDR&TXV | 19,000 | 0.76 | 13.00 | 16.00 | |
| | ED*4X36F** | *9MVX060 | TDR&TXV | 19,000 | 0.76 | 13.00 | 16.00 | |
| | ED*4X36F** | MV08B15**B* | TDR&TXV | 18,400 | 0.76 | 13.00 | 16.00 | |
| | EHD4X24A** | *8MPV050 | TDR&TXV | 18,500 | 0.76 | 13.00 | 15.50 | |
| | EHD4X24A** | *9MPV050 | TDR&TXV | 18,600 | 0.76 | 13.00 | 15.50 | |
| | EHD4X24A** | *9MPV075 | TDR&TXV | 18,600 | 0.76 | 13.00 | 15.00 | |
| | EHD4X24A** | *9MVX040 | TDR&TXV | 18,600 | 0.76 | 12.50 | 15.00 | |
| | EHD4X24A** | *9MVX060 | TDR&TXV | 18,600 | 0.76 | 13.00 | 15.50 | |
| | EHD4X24A** | MV08B15**B* | TDR&TXV | 18,000 | 0.76 | 13.00 | 16.00 | |
| | EHD4X24A** | † | TXV | 18,100 | 0.76 | 11.50 | | 14.00 |
| | EHD4X30A** | MV08B15**B* | TDR&TXV | 18,400 | 0.76 | 13.00 | 16.00 | |
| | EHD4X36A** | *8MPV050 | TDR&TXV | 19,000 | 0.76 | 13.00 | 16.00 | |
| | EHD4X36A** | *9MPV050 | TDR&TXV | 19,000 | 0.76 | 13.00 | 16.00 | |
| | EHD4X36A** | *9MPV075 | TDR&TXV | 19,000 | 0.76 | 13.00 | 16.00 | |
| | EHD4X36A** | *9MVX040 | TDR&TXV | 19,000 | 0.76 | 13.00 | 16.00 | |
| | EHD4X36A** | *9MVX060 | TDR&TXV | 19,000 | 0.76 | 13.00 | 16.00 | |
| EHD4X36A** | MV08B15**B* | TDR&TXV | 18,600 | 0.76 | 13.00 | 16.00 | | |
| EMA4X24D** | † | TXV | 18,100 | 0.76 | 11.50 | | 14.00 | |
| FEM4X18**** | — | TDR&TXV | 18,100 | 0.76 | 12.50 | 15.00 | | |
| FEM4X24**** | — | TDR&TXV | 18,300 | 0.76 | 13.00 | 16.00 | | |
| FS(M,U)4X18**** | — | TDR&TXV | 17,800 | 0.76 | 11.20 | 13.50 | | |
| FS(M,U)4X24**** | — | TDR&TXV | 17,900 | 0.76 | 11.20 | 13.50 | | |
| FSA4X24**A* | — | TDR&TXV | 18,000 | 0.76 | 11.20 | 13.10 | | |
| FVM4X24**** | — | TDR&TXV | 18,200 | 0.76 | 13.00 | 16.00 | | |
| N4A424AKB N4A424GKB | ‡ED*4X24B** | † | TXV | 23,200 | 0.73 | 11.70 | | 14.00 |
| | ED*4X24B** | *8MPV050 | TDR&TXV | 23,400 | 0.73 | 12.50 | 15.00 | |
| | ED*4X24B** | MV08B15**B* | TDR&TXV | 23,200 | 0.73 | 13.00 | 16.00 | |
| | ED*4X24F** | *8MPV050 | TDR&TXV | 23,400 | 0.73 | 12.50 | 15.00 | |
| | ED*4X24F** | *8MPV075 | TDR&TXV | 23,600 | 0.73 | 13.00 | 15.50 | |
| | ED*4X24F** | *9MPV050 | TDR&TXV | 23,200 | 0.73 | 12.50 | 15.00 | |
| | ED*4X24F** | *9MPV075 | TDR&TXV | 23,400 | 0.73 | 12.50 | 15.00 | |
| | ED*4X24F** | MV12F19**B* | TDR&TXV | 23,200 | 0.73 | 13.20 | 16.00 | |
| | ED*4X30B** | *8MPV050 | TDR&TXV | 23,800 | 0.73 | 12.50 | 15.00 | |
| | ED*4X30B** | MV08B15**B* | TDR&TXV | 23,400 | 0.73 | 13.20 | 16.00 | |
| | ED*4X30F** | *8MPV050 | TDR&TXV | 23,600 | 0.73 | 12.50 | 15.00 | |
| | ED*4X30F** | *8MPV075 | TDR&TXV | 24,000 | 0.73 | 13.00 | 16.00 | |
| | ED*4X30F** | *9MPV050 | TDR&TXV | 23,600 | 0.73 | 13.00 | 15.50 | |
| | ED*4X30F** | *9MPV075 | TDR&TXV | 23,600 | 0.73 | 13.00 | 15.50 | |
| ED*4X30F** | MV12F19**B* | TDR&TXV | 23,400 | 0.73 | 13.20 | 16.00 | | |

2009 ENERGY STAR compliance for combinations with both: SEER 14.50 or higher and EER 12.00 or higher.

† For coils not listed with a matching furnace or blower, coil rating applies with any indoor blower device.

- continued on next page -

COOLING PERFORMANCE FOR COMBINATION RATINGS (continued) Indoor Models

| Outdoor Model | Current Indoor Model (‡ tested combo) | Furnace Model | Factory Installed | Cooling (95 ° F) | | | SEER | |
|---------------------------------------|--|---------------|-------------------|------------------|-------|-------|---------|--------------|
| | | | | BTU/hr | S/T | EER | factory | w/ field TDR |
| N4A424AKB N4A424GKB (continued) | ED*4X36B** | *8MPV050 | TDR&TXV | 23,600 | 0.73 | 12.50 | 15.00 | |
| | ED*4X36B** | *8MPV075 | TDR&TXV | 23,200 | 0.73 | 13.00 | 16.00 | |
| | ED*4X36B** | MV08B15**B* | TDR&TXV | 23,200 | 0.73 | 13.00 | 16.00 | |
| | ED*4X36B** | MV12F19**B* | TDR&TXV | 23,200 | 0.73 | 13.00 | 16.00 | |
| | ED*4X36F** | *8MPV050 | TDR&TXV | 23,600 | 0.73 | 13.00 | 15.00 | |
| | ED*4X36F** | *8MPV075 | TDR&TXV | 23,600 | 0.73 | 13.00 | 16.00 | |
| | ED*4X36F** | *8MPV075 | TDR&TXV | 23,200 | 0.73 | 13.00 | 16.00 | |
| | ED*4X36F** | *8MPV100 | TDR&TXV | 24,200 | 0.73 | 13.20 | 16.00 | |
| | ED*4X36F** | *8MPV100 | TDR&TXV | 24,400 | 0.73 | 13.00 | 16.00 | |
| | ED*4X36F** | *8MPV125 | TDR&TXV | 24,400 | 0.73 | 13.00 | 16.00 | |
| | ED*4X36F** | *9MPV050 | TDR&TXV | 23,400 | 0.73 | 13.00 | 15.50 | |
| | ED*4X36F** | *9MPV075 | TDR&TXV | 23,600 | 0.73 | 13.00 | 15.50 | |
| | ED*4X36F** | *9MPV100 | TDR&TXV | 23,800 | 0.73 | 13.00 | 16.00 | |
| | ED*4X36F** | *9MPV100 | TDR&TXV | 24,200 | 0.73 | 13.00 | 16.00 | |
| | ED*4X36F** | *9MVX040 | TDR&TXV | 23,400 | 0.73 | 13.00 | 15.50 | |
| | ED*4X36F** | *9MVX060 | TDR&TXV | 23,800 | 0.73 | 13.00 | 16.00 | |
| | ED*4X36F** | *9MVX080 | TDR&TXV | 23,800 | 0.73 | 13.00 | 16.00 | |
| | ED*4X36F** | MV08B15**B* | TDR&TXV | 23,200 | 0.73 | 13.00 | 16.00 | |
| | ED*4X36F** | MV12F19**B* | TDR&TXV | 23,200 | 0.73 | 13.00 | 16.00 | |
| | ED*4X36J** | *8MPV075 | TDR&TXV | 24,000 | 0.73 | 13.00 | 16.00 | |
| | ED*4X36J** | *8MPV075 | TDR&TXV | 24,400 | 0.73 | 13.00 | 16.00 | |
| | ED*4X36J** | *9MPV050 | TDR&TXV | 23,600 | 0.73 | 13.00 | 16.00 | |
| | ED*4X36J** | *9MPV050 | TDR&TXV | 23,200 | 0.73 | 13.00 | 16.00 | |
| | ED*4X36J** | *9MPV075 | TDR&TXV | 23,600 | 0.73 | 13.00 | 16.00 | |
| | ED*4X36J** | *9MPV075 | TDR&TXV | 23,200 | 0.73 | 13.00 | 16.00 | |
| | ED*4X36J** | *9MPV100 | TDR&TXV | 24,400 | 0.73 | 13.00 | 16.00 | |
| | ED*4X36J** | *9MPV125 | TDR&TXV | 24,200 | 0.73 | 13.20 | 16.00 | |
| | ED*4X36J** | *9MVX040 | TDR&TXV | 23,600 | 0.73 | 13.00 | 15.50 | |
| | ED*4X36J** | *9MVX060 | TDR&TXV | 23,200 | 0.73 | 13.00 | 16.00 | |
| | ED*4X36J** | *9MVX080 | TDR&TXV | 23,800 | 0.73 | 13.00 | 16.00 | |
| | ED*4X36J** | *9MVX100 | TDR&TXV | 24,200 | 0.73 | 13.00 | 16.00 | |
| | ED*4X36J** | MV12F19**B* | TDR&TXV | 23,200 | 0.73 | 13.00 | 16.00 | |
| | ED*4X42F** | *8MPV075 | TDR&TXV | 23,200 | 0.73 | 13.00 | 16.00 | |
| | ED*4X42F** | *8MPV100 | TDR&TXV | 24,400 | 0.73 | 13.00 | 16.00 | |
| | ED*4X42F** | *8MPV125 | TDR&TXV | 24,400 | 0.73 | 13.00 | 16.00 | |
| | ED*4X42F** | *9MPV100 | TDR&TXV | 23,200 | 0.73 | 13.00 | 16.00 | |
| | ED*4X42F** | *9MVX080 | TDR&TXV | 24,400 | 0.73 | 13.00 | 16.00 | |
| | ED*4X42F** | MV08B15**B* | TDR&TXV | 23,200 | 0.73 | 13.00 | 16.00 | |
| | ED*4X42F** | MV12F19**B* | TDR&TXV | 23,200 | 0.73 | 13.00 | 16.00 | |
| | ED*4X42J** | *8MPV075 | TDR&TXV | 23,200 | 0.73 | 13.00 | 16.00 | |
| | ED*4X42J** | *8MPV100 | TDR&TXV | 24,400 | 0.73 | 13.00 | 16.00 | |
| | ED*4X42J** | *8MPV125 | TDR&TXV | 24,400 | 0.73 | 13.00 | 16.00 | |
| | ED*4X42J** | *9MPV100 | TDR&TXV | 23,200 | 0.73 | 13.00 | 16.00 | |
| | ED*4X42J** | *9MVX060 | TDR&TXV | 23,200 | 0.73 | 13.00 | 16.00 | |
| | ED*4X42J** | *9MVX080 | TDR&TXV | 24,400 | 0.73 | 13.00 | 16.00 | |
| | ED*4X42J** | *9MVX100 | TDR&TXV | 23,200 | 0.73 | 13.00 | 16.00 | |
| | ED*4X42J** | MV12F19**B* | TDR&TXV | 23,200 | 0.73 | 13.00 | 16.00 | |
| | ED*4X42L** | *8MPV100 | TDR&TXV | 24,400 | 0.73 | 13.00 | 16.00 | |
| | ED*4X42L** | *8MPV125 | TDR&TXV | 24,400 | 0.73 | 13.00 | 16.00 | |
| | ED*4X42L** | *9MPV100 | TDR&TXV | 24,200 | 0.73 | 13.00 | 16.00 | |
| ED*4X42L** | *9MVX080 | TDR&TXV | 24,400 | 0.73 | 13.00 | 16.00 | | |
| ED*4X42L** | *9MVX100 | TDR&TXV | 23,200 | 0.73 | 13.00 | 16.00 | | |
| EHD4X24A** | *8MPV050 | TDR&TXV | 23,400 | 0.73 | 12.50 | 15.00 | | |
| EHD4X24A** | *8MPV075 | TDR&TXV | 23,600 | 0.73 | 13.00 | 15.50 | | |
| EHD4X24A** | *8MPV100 | TDR&TXV | 23,800 | 0.73 | 13.00 | 16.00 | | |
| EHD4X24A** | *8MPV125 | TDR&TXV | 23,800 | 0.73 | 13.00 | 16.00 | | |
| EHD4X24A** | *9MPV050 | TDR&TXV | 23,200 | 0.73 | 12.50 | 15.00 | | |
| EHD4X24A** | *9MPV075 | TDR&TXV | 23,200 | 0.73 | 12.50 | 15.00 | | |
| EHD4X24A** | *9MPV100 | TDR&TXV | 23,600 | 0.73 | 12.50 | 15.00 | | |
| EHD4X24A** | *9MPV125 | TDR&TXV | 23,600 | 0.73 | 13.00 | 15.50 | | |
| EHD4X24A** | MV08B15**B* | TDR&TXV | 23,400 | 0.73 | 13.20 | 16.00 | | |

2009 ENERGY STAR compliance for combinations with both: SEER 14.50 or higher and EER 12.00 or higher.

† For coils not listed with a matching furnace or blower, coil rating applies with any indoor blower device.

- continued on next page -

| COOLING PERFORMANCE FOR COMBINATION RATINGS (continued) Indoor Models | | | | | | | | |
|---|--|---------------|-------------------|------------------|-------|-------|---------|--------------|
| Outdoor Model | Current Indoor Model (‡ tested combo) | Furnace Model | Factory Installed | Cooling (95 ° F) | | | SEER | |
| | | | | BTU/hr | S/T | EER | factory | w/ field TDR |
| N4A424AKB N4A424GKB (continued) | EHD4X24A** | MV12F19**B* | TDR&TXV | 23,200 | 0.73 | 13.20 | 16.00 | |
| | EHD4X30A** | *8MPV050 | TDR&TXV | 23,800 | 0.73 | 12.50 | 15.00 | |
| | EHD4X30A** | *8MPV075 | TDR&TXV | 24,000 | 0.73 | 13.00 | 16.00 | |
| | EHD4X30A** | *8MPV100 | TDR&TXV | 24,200 | 0.73 | 13.20 | 16.00 | |
| | EHD4X30A** | *8MPV125 | TDR&TXV | 24,200 | 0.73 | 13.20 | 16.00 | |
| | EHD4X30A** | *9MPV050 | TDR&TXV | 23,600 | 0.73 | 13.00 | 15.50 | |
| | EHD4X30A** | *9MPV075 | TDR&TXV | 23,600 | 0.73 | 13.00 | 15.50 | |
| | EHD4X30A** | *9MPV100 | TDR&TXV | 24,000 | 0.73 | 13.00 | 16.00 | |
| | EHD4X30A** | *9MPV125 | TDR&TXV | 24,000 | 0.73 | 13.00 | 16.00 | |
| | EHD4X30A** | *9MVX080 | TDR&TXV | 24,000 | 0.73 | 13.00 | 16.00 | |
| | EHD4X30A** | *9MVX100 | TDR&TXV | 24,000 | 0.73 | 13.00 | 16.00 | |
| | EHD4X30A** | MV08B15**B* | TDR&TXV | 23,400 | 0.73 | 13.20 | 16.00 | |
| | EHD4X30A** | MV12F19**B* | TDR&TXV | 23,400 | 0.73 | 13.20 | 16.00 | |
| | EHD4X36A** | *8MPV050 | TDR&TXV | 24,000 | 0.73 | 13.00 | 15.50 | |
| | EHD4X36A** | *8MPV075 | TDR&TXV | 24,000 | 0.73 | 13.20 | 16.00 | |
| | EHD4X36A** | *8MPV075 | TDR&TXV | 23,200 | 0.73 | 13.00 | 16.00 | |
| | EHD4X36A** | *8MPV100 | TDR&TXV | 24,400 | 0.73 | 13.20 | 16.00 | |
| | EHD4X36A** | *8MPV100 | TDR&TXV | 24,400 | 0.73 | 13.00 | 16.00 | |
| | EHD4X36A** | *8MPV125 | TDR&TXV | 24,200 | 0.73 | 13.50 | 16.00 | |
| | EHD4X36A** | *8MPV125 | TDR&TXV | 24,600 | 0.73 | 13.00 | 16.00 | |
| | EHD4X36A** | *9MPV050 | TDR&TXV | 23,600 | 0.73 | 13.00 | 16.00 | |
| | EHD4X36A** | *9MPV050 | TDR&TXV | 23,200 | 0.73 | 13.00 | 16.00 | |
| | EHD4X36A** | *9MPV075 | TDR&TXV | 23,600 | 0.73 | 13.00 | 16.00 | |
| | EHD4X36A** | *9MPV075 | TDR&TXV | 23,200 | 0.73 | 13.00 | 16.00 | |
| | EHD4X36A** | *9MPV100 | TDR&TXV | 24,000 | 0.73 | 13.20 | 16.00 | |
| | EHD4X36A** | *9MPV100 | TDR&TXV | 23,200 | 0.73 | 13.00 | 16.00 | |
| | EHD4X36A** | *9MPV125 | TDR&TXV | 24,000 | 0.73 | 13.20 | 16.00 | |
| | EHD4X36A** | *9MVX040 | TDR&TXV | 23,600 | 0.73 | 13.00 | 15.50 | |
| | EHD4X36A** | *9MVX060 | TDR&TXV | 24,000 | 0.73 | 13.00 | 15.50 | |
| | EHD4X36A** | *9MVX080 | TDR&TXV | 24,600 | 0.73 | 13.20 | 16.00 | |
| | EHD4X36A** | *9MVX100 | TDR&TXV | 24,200 | 0.73 | 13.20 | 16.00 | |
| | EHD4X36A** | MV08B15**B* | TDR&TXV | 23,200 | 0.73 | 13.00 | 16.00 | |
| | EHD4X36A** | MV12F19**B* | TDR&TXV | 23,200 | 0.73 | 13.00 | 16.00 | |
| | EHD4X42A** | *8MPV075 | TDR&TXV | 23,200 | 0.73 | 13.00 | 16.00 | |
| | EHD4X42A** | *8MPV100 | TDR&TXV | 24,400 | 0.73 | 13.00 | 16.00 | |
| | EHD4X42A** | *8MPV125 | TDR&TXV | 24,600 | 0.73 | 13.00 | 16.00 | |
| | EHD4X42A** | *9MPV050 | TDR&TXV | 23,200 | 0.73 | 13.00 | 16.00 | |
| | EHD4X42A** | *9MPV075 | TDR&TXV | 23,800 | 0.73 | 13.00 | 16.00 | |
| | EHD4X42A** | *9MPV100 | TDR&TXV | 23,200 | 0.73 | 13.00 | 16.00 | |
| | EHD4X42A** | *9MPV125 | TDR&TXV | 23,200 | 0.73 | 13.00 | 16.00 | |
| | EHD4X42A** | *9MVX040 | TDR&TXV | 23,800 | 0.73 | 13.00 | 16.00 | |
| | EHD4X42A** | *9MVX060 | TDR&TXV | 23,200 | 0.73 | 13.00 | 16.00 | |
| | EHD4X42A** | *9MVX080 | TDR&TXV | 24,600 | 0.73 | 13.00 | 16.00 | |
| | EHD4X42A** | *9MVX100 | TDR&TXV | 23,200 | 0.73 | 13.00 | 16.00 | |
| | EHD4X42A** | MV08B15**B* | TDR&TXV | 23,200 | 0.73 | 13.00 | 16.00 | |
| | EHD4X42A** | MV12F19**B* | TDR&TXV | 23,200 | 0.73 | 13.00 | 16.00 | |
| | FEM4X24**** | — | TDR&TXV | 23,400 | 0.73 | 12.50 | 15.00 | |
| | FEM4X30**** | — | TDR&TXV | 23,600 | 0.73 | 13.00 | 16.00 | |
| | FS(M,U)4X24**** | — | TDR&TXV | 23,000 | 0.73 | 11.70 | 13.50 | |
| | FS(M,U)4X30**** | — | TDR&TXV | 23,200 | 0.73 | 12.00 | 14.00 | |
| FSA4X24**A* | — | TDR&TXV | 22,800 | 0.73 | 11.20 | 13.50 | | |
| FSA4X30**A* | — | TDR&TXV | 22,800 | 0.73 | 11.20 | 13.20 | | |
| FVM4X24**** | — | TDR&TXV | 23,400 | 0.73 | 13.20 | 16.00 | | |
| FVM4X36**** | — | TDR&TXV | 23,600 | 0.73 | 13.20 | 16.00 | | |
| N4A430AKB N4A430GKB | ‡ED*4X30B** | † | TXV | 29,000 | 0.73 | 11.70 | | 14.00 |
| | ED*4X30B** | *8MPV050 | TDR&TXV | 29,000 | 0.73 | 12.00 | 14.00 | |
| | ED*4X30B** | MV08B15**B* | TDR&TXV | 29,000 | 0.73 | 12.50 | 15.50 | |
| | ED*4X30F** | *8MPV050 | TDR&TXV | 28,400 | 0.73 | 12.00 | 14.00 | |
| | ED*4X30F** | *8MPV075 | TDR&TXV | 29,200 | 0.73 | 12.50 | 15.00 | |
| | ED*4X30F** | *9MPV050 | TDR&TXV | 28,800 | 0.73 | 12.20 | 14.50 | |
| | ED*4X30F** | *9MPV075 | TDR&TXV | 29,000 | 0.73 | 12.20 | 14.50 | |
| | ED*4X30F** | *9MVX040 | TDR&TXV | 28,800 | 0.73 | 12.20 | 14.50 | |
| | ED*4X30F** | *9MVX060 | TDR&TXV | 29,000 | 0.73 | 12.20 | 14.50 | |
| | ED*4X30F** | MV12F19**B* | TDR&TXV | 29,200 | 0.73 | 13.00 | 16.00 | |
| | ED*4X36B** | *8MPV050 | TDR&TXV | 28,200 | 0.73 | 12.00 | 14.50 | |
| | ED*4X36B** | MV08B15**B* | TDR&TXV | 28,400 | 0.73 | 13.00 | 15.50 | |

2009 ENERGY STAR compliance for combinations with both: SEER 14.50 or higher and EER 12.00 or higher.

† For coils not listed with a matching furnace or blower, coil rating applies with any indoor blower device.

- continued on next page -

COOLING PERFORMANCE FOR COMBINATION RATINGS (continued) Indoor Models

| Outdoor Model | Current Indoor Model († tested combo) | Furnace Model | Factory Installed | Cooling (95 ° F) | | | SEER | |
|---------------------------------------|--|---------------|-------------------|------------------|-------|-------|---------|--------------|
| | | | | BTU/hr | S/T | EER | factory | w/ field TDR |
| N4A430AKB N4A430GKB (continued) | ED*4X36F** | *8MPV050 | TDR&TXV | 28,400 | 0.73 | 12.00 | 14.50 | |
| | ED*4X36F** | *8MPV075 | TDR&TXV | 29,400 | 0.73 | 12.50 | 15.00 | |
| | ED*4X36F** | *9MPV050 | TDR&TXV | 29,000 | 0.73 | 12.20 | 14.50 | |
| | ED*4X36F** | *9MPV075 | TDR&TXV | 29,000 | 0.73 | 12.20 | 14.50 | |
| | ED*4X36F** | *9MVX040 | TDR&TXV | 29,000 | 0.73 | 12.20 | 14.50 | |
| | ED*4X36F** | *9MVX060 | TDR&TXV | 29,000 | 0.73 | 12.20 | 14.50 | |
| | ED*4X36F** | MV12F19**B* | TDR&TXV | 29,200 | 0.73 | 13.00 | 16.00 | |
| | ED*4X36J** | *8MPV075 | TDR&TXV | 28,800 | 0.73 | 12.50 | 15.00 | |
| | ED*4X36J** | *8MPV100 | TDR&TXV | 29,600 | 0.73 | 13.00 | 16.00 | |
| | ED*4X36J** | *8MPV125 | TDR&TXV | 29,600 | 0.73 | 13.00 | 16.00 | |
| | ED*4X36J** | *9MPV050 | TDR&TXV | 28,600 | 0.73 | 12.00 | 15.00 | |
| | ED*4X36J** | *9MPV075 | TDR&TXV | 28,800 | 0.73 | 12.50 | 15.00 | |
| | ED*4X36J** | *9MPV100 | TDR&TXV | 29,600 | 0.73 | 12.50 | 15.50 | |
| | ED*4X36J** | *9MVX040 | TDR&TXV | 28,400 | 0.73 | 12.50 | 15.00 | |
| | ED*4X36J** | *9MVX060 | TDR&TXV | 28,800 | 0.73 | 12.50 | 15.00 | |
| | ED*4X36J** | *9MVX080 | TDR&TXV | 29,000 | 0.73 | 13.00 | 15.50 | |
| | ED*4X42F** | *8MPV050 | TDR&TXV | 29,000 | 0.73 | 12.00 | 14.50 | |
| | ED*4X42F** | *8MPV075 | TDR&TXV | 29,000 | 0.73 | 12.50 | 15.00 | |
| | ED*4X42F** | *8MPV100 | TDR&TXV | 29,000 | 0.73 | 13.00 | 16.00 | |
| | ED*4X42F** | *8MPV125 | TDR&TXV | 29,000 | 0.73 | 13.00 | 16.00 | |
| | ED*4X42F** | *9MPV050 | TDR&TXV | 28,800 | 0.73 | 12.50 | 15.00 | |
| | ED*4X42F** | *9MPV075 | TDR&TXV | 28,800 | 0.73 | 12.50 | 15.00 | |
| | ED*4X42F** | *9MVX040 | TDR&TXV | 28,800 | 0.73 | 12.50 | 15.00 | |
| | ED*4X42F** | *9MVX060 | TDR&TXV | 28,800 | 0.73 | 12.50 | 15.00 | |
| | ED*4X42F** | MV08B15**B* | TDR&TXV | 29,000 | 0.73 | 13.00 | 16.00 | |
| | ED*4X42F** | MV12F19**B* | TDR&TXV | 29,000 | 0.73 | 13.00 | 16.00 | |
| | ED*4X42J** | *8MPV075 | TDR&TXV | 29,000 | 0.73 | 12.50 | 15.00 | |
| | ED*4X42J** | *8MPV100 | TDR&TXV | 29,000 | 0.73 | 13.00 | 16.00 | |
| | ED*4X42J** | *8MPV100 | TDR&TXV | 29,000 | 0.73 | 13.00 | 16.00 | |
| | ED*4X42J** | *8MPV125 | TDR&TXV | 29,000 | 0.73 | 13.00 | 16.00 | |
| | ED*4X42J** | *8MPV125 | TDR&TXV | 29,000 | 0.73 | 13.00 | 16.00 | |
| | ED*4X42J** | *9MPV050 | TDR&TXV | 28,800 | 0.73 | 12.50 | 15.00 | |
| | ED*4X42J** | *9MPV075 | TDR&TXV | 29,000 | 0.73 | 12.50 | 15.00 | |
| | ED*4X42J** | *9MPV100 | TDR&TXV | 29,000 | 0.73 | 12.50 | 15.50 | |
| | ED*4X42J** | *9MPV125 | TDR&TXV | 29,000 | 0.73 | 13.00 | 16.00 | |
| | ED*4X42J** | *9MPV125 | TDR&TXV | 29,000 | 0.73 | 13.00 | 16.00 | |
| | ED*4X42J** | *9MVX040 | TDR&TXV | 28,600 | 0.73 | 12.50 | 15.00 | |
| | ED*4X42J** | *9MVX060 | TDR&TXV | 29,000 | 0.73 | 12.50 | 15.00 | |
| | ED*4X42J** | *9MVX080 | TDR&TXV | 29,000 | 0.73 | 12.50 | 15.50 | |
| | ED*4X42J** | *9MVX100 | TDR&TXV | 29,000 | 0.73 | 13.00 | 16.00 | |
| | ED*4X42J** | MV12F19**B* | TDR&TXV | 29,000 | 0.73 | 13.00 | 16.00 | |
| | ED*4X42L** | *8MPV100 | TDR&TXV | 29,000 | 0.73 | 13.00 | 16.00 | |
| | ED*4X42L** | *8MPV100 | TDR&TXV | 29,000 | 0.73 | 13.00 | 16.00 | |
| | ED*4X42L** | *8MPV125 | TDR&TXV | 29,000 | 0.73 | 13.00 | 16.00 | |
| | ED*4X42L** | *8MPV125 | TDR&TXV | 29,000 | 0.73 | 13.00 | 16.00 | |
| | ED*4X42L** | *9MPV100 | TDR&TXV | 29,000 | 0.73 | 13.00 | 15.50 | |
| | ED*4X42L** | *9MPV125 | TDR&TXV | 29,000 | 0.73 | 13.00 | 16.00 | |
| | ED*4X42L** | *9MPV125 | TDR&TXV | 29,000 | 0.73 | 13.00 | 16.00 | |
| ED*4X42L** | *9MVX080 | TDR&TXV | 29,000 | 0.73 | 13.00 | 15.50 | | |
| ED*4X42L** | *9MVX100 | TDR&TXV | 28,800 | 0.73 | 13.00 | 16.00 | | |
| ED*4X48F** | *8MPV100 | TDR&TXV | 29,000 | 0.73 | 13.00 | 16.00 | | |
| ED*4X48F** | *8MPV125 | TDR&TXV | 29,000 | 0.73 | 13.00 | 16.00 | | |
| ED*4X48F** | *9MVX080 | TDR&TXV | 29,000 | 0.73 | 13.00 | 16.00 | | |
| ED*4X48F** | MV12F19**B* | TDR&TXV | 29,000 | 0.73 | 13.00 | 16.00 | | |
| ED*4X48J** | *8MPV100 | TDR&TXV | 29,000 | 0.73 | 13.00 | 16.00 | | |
| ED*4X48J** | *8MPV125 | TDR&TXV | 29,000 | 0.73 | 13.00 | 16.00 | | |
| ED*4X48J** | *9MPV100 | TDR&TXV | 29,000 | 0.73 | 13.00 | 16.00 | | |
| ED*4X48J** | *9MPV125 | TDR&TXV | 29,000 | 0.73 | 13.00 | 16.00 | | |
| ED*4X48J** | *9MVX080 | TDR&TXV | 29,000 | 0.73 | 13.00 | 16.00 | | |
| ED*4X48J** | *9MVX100 | TDR&TXV | 29,000 | 0.73 | 13.00 | 16.00 | | |

2009 ENERGY STAR compliance for combinations with both: SEER 14.50 or higher and EER 12.00 or higher.

† For coils not listed with a matching furnace or blower, coil rating applies with any indoor blower device.

- continued on next page -

| COOLING PERFORMANCE FOR COMBINATION RATINGS (continued) Indoor Models | | | | | | | | |
|---|--|---------------|-------------------|------------------|-------|-------|---------|--------------|
| Outdoor Model | Current Indoor Model († tested combo) | Furnace Model | Factory Installed | Cooling (95 ° F) | | | SEER | |
| | | | | BTU/hr | S/T | EER | factory | w/ field TDR |
| N4A430AKB N4A430GKB (continued) | ED*4X48J** | MV12F19**B* | TDR&TXV | 29,000 | 0.73 | 13.00 | 16.00 | |
| | ED*4X48L** | *8MPV100 | TDR&TXV | 29,000 | 0.73 | 13.00 | 16.00 | |
| | ED*4X48L** | *8MPV125 | TDR&TXV | 29,000 | 0.73 | 13.00 | 16.00 | |
| | ED*4X48L** | *9MPV100 | TDR&TXV | 29,000 | 0.73 | 13.00 | 16.00 | |
| | ED*4X48L** | *9MPV125 | TDR&TXV | 29,000 | 0.73 | 13.00 | 16.00 | |
| | ED*4X48L** | *9MVX080 | TDR&TXV | 29,000 | 0.73 | 13.00 | 16.00 | |
| | ED*4X48L** | *9MVX100 | TDR&TXV | 29,000 | 0.73 | 13.00 | 16.00 | |
| | EHD4X30A** | *8MPV050 | TDR&TXV | 29,000 | 0.73 | 12.00 | 14.00 | |
| | EHD4X30A** | *8MPV075 | TDR&TXV | 29,200 | 0.73 | 12.50 | 15.00 | |
| | EHD4X30A** | *8MPV100 | TDR&TXV | 29,200 | 0.73 | 12.50 | 15.50 | |
| | EHD4X30A** | *8MPV125 | TDR&TXV | 29,200 | 0.73 | 12.50 | 15.50 | |
| | EHD4X30A** | *9MPV050 | TDR&TXV | 28,800 | 0.73 | 12.20 | 14.50 | |
| | EHD4X30A** | *9MPV075 | TDR&TXV | 29,000 | 0.73 | 12.20 | 14.50 | |
| | EHD4X30A** | *9MPV100 | TDR&TXV | 29,200 | 0.73 | 12.50 | 15.00 | |
| | EHD4X30A** | *9MPV125 | TDR&TXV | 29,200 | 0.73 | 12.50 | 15.00 | |
| | EHD4X30A** | *9MVX040 | TDR&TXV | 28,800 | 0.73 | 12.20 | 14.50 | |
| | EHD4X30A** | *9MVX060 | TDR&TXV | 29,000 | 0.73 | 12.20 | 14.50 | |
| | EHD4X30A** | *9MVX080 | TDR&TXV | 29,000 | 0.73 | 12.50 | 15.00 | |
| | EHD4X30A** | *9MVX100 | TDR&TXV | 29,000 | 0.73 | 12.50 | 15.00 | |
| | EHD4X30A** | MV08B15**B* | TDR&TXV | 29,000 | 0.73 | 13.00 | 15.50 | |
| | EHD4X30A** | MV12F19**B* | TDR&TXV | 29,200 | 0.73 | 13.00 | 16.00 | |
| | EHD4X36A** | *8MPV050 | TDR&TXV | 29,000 | 0.73 | 12.00 | 14.50 | |
| | EHD4X36A** | *8MPV075 | TDR&TXV | 29,400 | 0.73 | 12.50 | 15.00 | |
| | EHD4X36A** | *8MPV100 | TDR&TXV | 29,600 | 0.73 | 13.00 | 16.00 | |
| | EHD4X36A** | *8MPV125 | TDR&TXV | 29,600 | 0.73 | 13.00 | 16.00 | |
| | EHD4X36A** | *9MPV050 | TDR&TXV | 29,000 | 0.73 | 12.20 | 14.50 | |
| | EHD4X36A** | *9MPV075 | TDR&TXV | 29,000 | 0.73 | 12.20 | 14.50 | |
| | EHD4X36A** | *9MPV100 | TDR&TXV | 29,600 | 0.73 | 12.50 | 15.50 | |
| | EHD4X36A** | *9MPV125 | TDR&TXV | 29,800 | 0.73 | 13.00 | 16.00 | |
| | EHD4X36A** | *9MVX040 | TDR&TXV | 29,000 | 0.73 | 12.20 | 14.50 | |
| | EHD4X36A** | *9MVX060 | TDR&TXV | 29,000 | 0.73 | 12.20 | 14.50 | |
| | EHD4X36A** | *9MVX080 | TDR&TXV | 29,000 | 0.73 | 13.00 | 15.50 | |
| | EHD4X36A** | *9MVX100 | TDR&TXV | 29,000 | 0.73 | 13.00 | 16.00 | |
| | EHD4X36A** | MV08B15**B* | TDR&TXV | 29,200 | 0.73 | 13.00 | 16.00 | |
| | EHD4X36A** | MV12F19**B* | TDR&TXV | 29,200 | 0.73 | 13.00 | 16.00 | |
| | EHD4X42A** | *8MPV050 | TDR&TXV | 29,000 | 0.73 | 12.00 | 14.50 | |
| | EHD4X42A** | *8MPV075 | TDR&TXV | 28,600 | 0.73 | 13.00 | 15.50 | |
| | EHD4X42A** | *8MPV100 | TDR&TXV | 29,000 | 0.73 | 13.00 | 16.00 | |
| | EHD4X42A** | *8MPV100 | TDR&TXV | 29,000 | 0.73 | 13.00 | 16.00 | |
| | EHD4X42A** | *8MPV125 | TDR&TXV | 29,000 | 0.73 | 13.00 | 16.00 | |
| | EHD4X42A** | *8MPV125 | TDR&TXV | 29,000 | 0.73 | 13.00 | 16.00 | |
| | EHD4X42A** | *9MPV050 | TDR&TXV | 29,000 | 0.73 | 12.50 | 15.00 | |
| | EHD4X42A** | *9MPV075 | TDR&TXV | 29,000 | 0.73 | 12.50 | 15.00 | |
| | EHD4X42A** | *9MPV100 | TDR&TXV | 29,000 | 0.73 | 13.00 | 16.00 | |
| | EHD4X42A** | *9MPV100 | TDR&TXV | 29,000 | 0.73 | 13.00 | 16.00 | |
| | EHD4X42A** | *9MPV125 | TDR&TXV | 29,000 | 0.73 | 13.00 | 16.00 | |
| | EHD4X42A** | *9MVX040 | TDR&TXV | 28,800 | 0.73 | 12.50 | 15.00 | |
| | EHD4X42A** | *9MVX060 | TDR&TXV | 29,000 | 0.73 | 12.50 | 15.00 | |
| EHD4X42A** | *9MVX080 | TDR&TXV | 29,000 | 0.73 | 13.00 | 16.00 | | |
| EHD4X42A** | *9MVX100 | TDR&TXV | 29,000 | 0.73 | 13.00 | 16.00 | | |
| EHD4X42A** | *9MPV125 | TDR&TXV | 29,000 | 0.73 | 13.00 | 16.00 | | |
| EHD4X42A** | *9MVX080 | TDR&TXV | 29,000 | 0.73 | 13.00 | 16.00 | | |
| EHD4X42A** | *9MVX100 | TDR&TXV | 29,000 | 0.73 | 13.00 | 16.00 | | |
| EHD4X42A** | MV08B15**B* | TDR&TXV | 29,000 | 0.73 | 13.00 | 16.00 | | |
| EHD4X42A** | MV12F19**B* | TDR&TXV | 29,000 | 0.73 | 13.00 | 16.00 | | |
| EHD4X48A** | *8MPV100 | TDR&TXV | 29,000 | 0.73 | 13.00 | 16.00 | | |
| EHD4X48A** | *8MPV125 | TDR&TXV | 29,000 | 0.73 | 13.00 | 16.00 | | |
| EHD4X48A** | *9MPV100 | TDR&TXV | 29,000 | 0.73 | 13.00 | 16.00 | | |
| EHD4X48A** | *9MPV125 | TDR&TXV | 29,000 | 0.73 | 13.00 | 16.00 | | |

2009 ENERGY STAR compliance for combinations with both: SEER 14.50 or higher and EER 12.00 or higher.

† For coils not listed with a matching furnace or blower, coil rating applies with any indoor blower device.

- continued on next page -

COOLING PERFORMANCE FOR COMBINATION RATINGS (continued) Indoor Models

| Outdoor Model | Current Indoor Model († tested combo) | Furnace Model | Factory Installed | Cooling (95 ° F) | | | SEER | |
|---------------------------------------|--|---------------|-------------------|------------------|-------|-------|---------|--------------|
| | | | | BTU/hr | S/T | EER | factory | w/ field TDR |
| N4A430AKB N4A430GKB (continued) | EHD4X48A** | *9MVX080 | TDR&TXV | 29,000 | 0.73 | 13.00 | 16.00 | |
| | EHD4X48A** | *9MVX100 | TDR&TXV | 29,000 | 0.73 | 13.00 | 16.00 | |
| | EHD4X48A** | MV12F19**B* | TDR&TXV | 29,000 | 0.73 | 13.00 | 16.00 | |
| | FEM4X30**** | — | TDR&TXV | 29,200 | 0.73 | 12.50 | 15.00 | |
| | FEM4X36**** | — | TDR&TXV | 29,800 | 0.73 | 12.50 | 15.00 | |
| | FS(M,U)4X30**** | — | TDR&TXV | 28,800 | 0.73 | 11.70 | 13.50 | |
| | FSA4X30**A* | — | TDR&TXV | 28,600 | 0.73 | 11.70 | 13.50 | |
| | FSA4X36**A* | — | TDR&TXV | 29,200 | 0.73 | 11.70 | 14.00 | |
| | FSM4X36**** | — | TDR&TXV | 29,600 | 0.73 | 12.00 | 14.00 | |
| | FVM4X24**** | — | TDR&TXV | 29,000 | 0.73 | 12.50 | 15.50 | |
| | FVM4X36**** | — | TDR&TXV | 29,200 | 0.73 | 13.00 | 16.00 | |
| FVM4X48**** | — | TDR&TXV | 30,000 | 0.73 | 13.20 | 16.00 | | |
| N4A436AKA N4A436GKA | ‡ED*4X42J** | † | TXV | 35,800 | 0.77 | 12.00 | | 14.00 |
| | ED*4X36B** | MV08B15**B* | TDR&TXV | 35,400 | 0.77 | 12.50 | 15.00 | |
| | ED*4X36B** | — | TXV | 34,000 | 0.77 | 12.00 | | 14.00 |
| | ED*4X36F** | *8MPV050 | TDR&TXV | 34,600 | 0.77 | 12.00 | 14.00 | |
| | ED*4X36F** | *8MPV075 | TDR&TXV | 35,600 | 0.77 | 12.00 | 14.50 | |
| | ED*4X36F** | *9MVX040 | TDR&TXV | 35,000 | 0.77 | 12.00 | 14.00 | |
| | ED*4X36F** | *9MVX060 | TDR&TXV | 35,200 | 0.77 | 12.20 | 14.50 | |
| | ED*4X36F** | MV12F19**B* | TDR&TXV | 35,400 | 0.77 | 13.00 | 15.00 | |
| | ED*4X36F** | † | TXV | 35,400 | 0.77 | 12.00 | | 14.00 |
| | ED*4X36J** | *8MPV075 | TDR&TXV | 35,400 | 0.77 | 12.50 | 14.50 | |
| | ED*4X36J** | *8MPV100 | TDR&TXV | 35,800 | 0.77 | 12.00 | 15.00 | |
| | ED*4X36J** | *8MPV125 | TDR&TXV | 35,800 | 0.77 | 12.00 | 15.00 | |
| | ED*4X36J** | *9MPV050 | TDR&TXV | 35,000 | 0.77 | 12.00 | 14.00 | |
| | ED*4X36J** | *9MPV075 | TDR&TXV | 35,000 | 0.77 | 12.00 | 14.50 | |
| | ED*4X36J** | *9MPV100 | TDR&TXV | 35,600 | 0.77 | 12.00 | 14.50 | |
| | ED*4X36J** | *9MVX040 | TDR&TXV | 34,600 | 0.77 | 12.00 | 14.00 | |
| | ED*4X36J** | *9MVX060 | TDR&TXV | 35,200 | 0.77 | 12.00 | 14.50 | |
| | ED*4X36J** | *9MVX080 | TDR&TXV | 35,800 | 0.77 | 12.20 | 14.50 | |
| | ED*4X36J** | MV16J22**B* | TDR&TXV | 35,400 | 0.77 | 13.00 | 15.00 | |
| | ED*4X36J** | † | TXV | 35,400 | 0.77 | 12.00 | | 14.00 |
| | ED*4X42F** | *8MPV050 | TDR&TXV | 35,000 | 0.77 | 12.00 | 14.00 | |
| | ED*4X42F** | *9MVX040 | TDR&TXV | 35,200 | 0.77 | 12.00 | 14.00 | |
| | ED*4X42F** | *9MVX060 | TDR&TXV | 35,600 | 0.77 | 12.20 | 14.50 | |
| | ED*4X42J** | *8MPV075 | TDR&TXV | 35,600 | 0.77 | 12.50 | 15.00 | |
| | ED*4X42J** | *8MPV100 | TDR&TXV | 36,000 | 0.77 | 12.00 | 15.00 | |
| | ED*4X42J** | *8MPV125 | TDR&TXV | 36,000 | 0.77 | 12.00 | 15.00 | |
| | ED*4X42J** | *9MPV050 | TDR&TXV | 35,000 | 0.77 | 12.00 | 14.00 | |
| | ED*4X42J** | *9MPV075 | TDR&TXV | 35,200 | 0.77 | 12.00 | 14.50 | |
| | ED*4X42J** | *9MPV100 | TDR&TXV | 36,000 | 0.77 | 12.00 | 14.50 | |
| | ED*4X42J** | *9MVX040 | TDR&TXV | 35,000 | 0.77 | 12.00 | 14.00 | |
| | ED*4X42J** | *9MVX060 | TDR&TXV | 35,200 | 0.77 | 12.00 | 14.50 | |
| | ED*4X42J** | *9MVX080 | TDR&TXV | 36,000 | 0.77 | 12.20 | 14.50 | |
| | ED*4X42J** | MV16J22**B* | TDR&TXV | 35,600 | 0.77 | 13.00 | 15.00 | |
| | ED*4X42L** | *8MPV100 | TDR&TXV | 36,000 | 0.77 | 13.00 | 15.00 | |
| | ED*4X42L** | *8MPV125 | TDR&TXV | 36,000 | 0.77 | 13.00 | 15.00 | |
| | ED*4X42L** | *9MPV100 | TDR&TXV | 35,800 | 0.77 | 12.50 | 15.00 | |
| | ED*4X42L** | *9MPV125 | TDR&TXV | 35,400 | 0.77 | 12.00 | 15.00 | |
| | ED*4X42L** | *9MPV125 | TDR&TXV | 35,800 | 0.77 | 12.50 | 15.00 | |
| | ED*4X42L** | *9MVX080 | TDR&TXV | 35,800 | 0.77 | 12.50 | 15.00 | |
| | ED*4X42L** | *9MVX100 | TDR&TXV | 36,000 | 0.77 | 12.50 | 15.00 | |
| | ED*4X42L** | MV20L24**B* | TDR&TXV | 35,600 | 0.77 | 13.00 | 15.00 | |
| | ED*4X42L** | † | TXV | 35,800 | 0.77 | 12.00 | | 14.00 |
| ED*4X48F** | *8MPV075 | TDR&TXV | 36,000 | 0.77 | 12.50 | 15.00 | | |
| ED*4X48F** | *8MPV100 | TDR&TXV | 36,400 | 0.77 | 13.00 | 15.50 | | |
| ED*4X48F** | *8MPV125 | TDR&TXV | 36,400 | 0.77 | 13.00 | 15.50 | | |
| ED*4X48F** | *9MPV050 | TDR&TXV | 35,600 | 0.77 | 12.00 | 14.50 | | |
| ED*4X48F** | *9MPV075 | TDR&TXV | 35,800 | 0.77 | 12.00 | 14.50 | | |
| ED*4X48F** | *9MPV100 | TDR&TXV | 36,200 | 0.77 | 12.50 | 15.00 | | |
| ED*4X48F** | *9MVX040 | TDR&TXV | 36,000 | 0.77 | 12.20 | 14.50 | | |

2009 ENERGY STAR compliance for combinations with both: SEER 14.50 or higher and EER 12.00 or higher.

† For coils not listed with a matching furnace or blower, coil rating applies with any indoor blower device.

- continued on next page -

| COOLING PERFORMANCE FOR COMBINATION RATINGS (continued) Indoor Models | | | | | | | | |
|---|--|---------------|-------------------|------------------|-------|-------|---------|--------------|
| Outdoor Model | Current Indoor Model († tested combo) | Furnace Model | Factory Installed | Cooling (95 ° F) | | | SEER | |
| | | | | BTU/hr | S/T | EER | factory | w/ field TDR |
| N4A436AKA N4A436GKA (continued) | ED*4X48F** | *9MVX060 | TDR&TXV | 36,000 | 0.77 | 12.50 | 14.50 | |
| | ED*4X48F** | *9MVX080 | TDR&TXV | 36,200 | 0.77 | 12.50 | 15.00 | |
| | ED*4X48F** | MV12F19**B* | TDR&TXV | 35,800 | 0.77 | 13.00 | 16.00 | |
| | ED*4X48F** | MV16J22**B* | TDR&TXV | 35,800 | 0.77 | 13.00 | 16.00 | |
| | ED*4X48J** | *8MPV075 | TDR&TXV | 35,800 | 0.77 | 12.50 | 15.00 | |
| | ED*4X48J** | *8MPV100 | TDR&TXV | 36,200 | 0.77 | 13.00 | 15.50 | |
| | ED*4X48J** | *8MPV125 | TDR&TXV | 36,200 | 0.77 | 13.00 | 15.50 | |
| | ED*4X48J** | *9MPV050 | TDR&TXV | 35,600 | 0.77 | 12.00 | 14.50 | |
| | ED*4X48J** | *9MPV075 | TDR&TXV | 35,600 | 0.77 | 12.50 | 14.50 | |
| | ED*4X48J** | *9MPV100 | TDR&TXV | 36,000 | 0.77 | 12.50 | 15.00 | |
| | ED*4X48J** | *9MPV125 | TDR&TXV | 36,000 | 0.77 | 13.00 | 15.50 | |
| | ED*4X48J** | *9MVX040 | TDR&TXV | 35,200 | 0.77 | 12.00 | 14.50 | |
| | ED*4X48J** | *9MVX060 | TDR&TXV | 35,800 | 0.77 | 12.50 | 14.50 | |
| | ED*4X48J** | *9MVX080 | TDR&TXV | 36,200 | 0.77 | 12.50 | 15.00 | |
| | ED*4X48L** | *8MPV100 | TDR&TXV | 36,200 | 0.77 | 13.00 | 15.50 | |
| | ED*4X48L** | *8MPV125 | TDR&TXV | 36,200 | 0.77 | 13.00 | 15.50 | |
| | ED*4X48L** | *9MPV100 | TDR&TXV | 36,000 | 0.77 | 12.50 | 15.00 | |
| | ED*4X48L** | *9MPV125 | TDR&TXV | 36,000 | 0.77 | 13.00 | 15.50 | |
| | ED*4X48L** | *9MVX080 | TDR&TXV | 36,200 | 0.77 | 12.50 | 15.00 | |
| | ED*4X48L** | *9MVX100 | TDR&TXV | 36,000 | 0.77 | 13.00 | 15.50 | |
| | ED*4X48L** | MV16J22**B* | TDR&TXV | 35,800 | 0.77 | 13.00 | 16.00 | |
| | ED*4X60J** | MV16J22**B* | TDR&TXV | 35,800 | 0.77 | 13.00 | 16.00 | |
| | ED*4X60J** | MV20L24**B* | TDR&TXV | 35,800 | 0.77 | 13.00 | 16.00 | |
| | ED*4X60L** | MV16J22**B* | TDR&TXV | 35,800 | 0.77 | 13.00 | 16.00 | |
| | ED*4X60L** | MV20L24**B* | TDR&TXV | 35,800 | 0.77 | 13.00 | 16.00 | |
| | EHD4X36A** | *8MPV075 | TDR&TXV | 35,600 | 0.77 | 12.00 | 15.00 | |
| | EHD4X36A** | *8MPV100 | TDR&TXV | 35,600 | 0.77 | 12.00 | 15.00 | |
| | EHD4X36A** | *8MPV125 | TDR&TXV | 35,600 | 0.77 | 12.00 | 15.00 | |
| | EHD4X36A** | *9MPV075 | TDR&TXV | 35,600 | 0.77 | 12.00 | 14.50 | |
| | EHD4X36A** | *9MPV100 | TDR&TXV | 35,600 | 0.77 | 12.00 | 15.00 | |
| | EHD4X36A** | *9MPV125 | TDR&TXV | 35,600 | 0.77 | 12.00 | 15.00 | |
| | EHD4X36A** | *9MVX040 | TDR&TXV | 35,000 | 0.77 | 12.00 | 14.00 | |
| | EHD4X36A** | *9MVX060 | TDR&TXV | 35,200 | 0.77 | 12.20 | 14.50 | |
| | EHD4X36A** | *9MVX080 | TDR&TXV | 35,800 | 0.77 | 12.20 | 14.50 | |
| | EHD4X36A** | *9MVX100 | TDR&TXV | 36,000 | 0.77 | 12.50 | 15.00 | |
| | EHD4X36A** | MV08B15**B* | TDR&TXV | 35,400 | 0.77 | 13.00 | 15.00 | |
| | EHD4X36A** | MV12F19**B* | TDR&TXV | 35,400 | 0.77 | 13.00 | 15.00 | |
| | EHD4X36A** | MV16J22**B* | TDR&TXV | 35,400 | 0.77 | 13.00 | 15.00 | |
| | EHD4X36A** | MV20L24**B* | TDR&TXV | 35,400 | 0.77 | 13.00 | 15.00 | |
| | EHD4X36A** | † | TXV | 35,400 | 0.77 | 12.00 | | 14.00 |
| | EHD4X42A** | *8MPV050 | TDR&TXV | 36,000 | 0.77 | 12.00 | 14.50 | |
| | EHD4X42A** | *8MPV075 | TDR&TXV | 36,000 | 0.77 | 12.00 | 14.50 | |
| | EHD4X42A** | *8MPV100 | TDR&TXV | 36,000 | 0.77 | 12.00 | 15.50 | |
| | EHD4X42A** | *8MPV125 | TDR&TXV | 36,000 | 0.77 | 12.50 | 15.50 | |
| | EHD4X42A** | *9MPV050 | TDR&TXV | 36,000 | 0.77 | 12.00 | 14.50 | |
| | EHD4X42A** | *9MPV075 | TDR&TXV | 36,000 | 0.77 | 12.00 | 14.50 | |
| | EHD4X42A** | *9MPV100 | TDR&TXV | 36,000 | 0.77 | 12.00 | 15.00 | |
| | EHD4X42A** | *9MPV125 | TDR&TXV | 36,200 | 0.77 | 12.00 | 15.00 | |
| | EHD4X42A** | *9MVX040 | TDR&TXV | 35,200 | 0.77 | 12.00 | 14.00 | |
| | EHD4X42A** | *9MVX060 | TDR&TXV | 35,600 | 0.77 | 12.20 | 14.50 | |
| EHD4X42A** | *9MVX080 | TDR&TXV | 36,000 | 0.77 | 12.20 | 14.50 | | |
| EHD4X42A** | *9MVX100 | TDR&TXV | 36,000 | 0.77 | 12.50 | 15.00 | | |
| EHD4X42A** | MV08B15**B* | TDR&TXV | 35,600 | 0.77 | 13.00 | 15.00 | | |
| EHD4X42A** | MV12F19**B* | TDR&TXV | 35,600 | 0.77 | 13.00 | 16.00 | | |
| EHD4X42A** | MV16J22**B* | TDR&TXV | 35,600 | 0.77 | 13.00 | 16.00 | | |
| EHD4X42A** | MV20L24**B* | TDR&TXV | 35,600 | 0.77 | 13.00 | 16.00 | | |
| EHD4X42A** | † | TXV | 35,800 | 0.77 | 12.00 | | 14.00 | |
| EHD4X48A** | *8MPV050 | TDR&TXV | 35,600 | 0.77 | 12.00 | 14.50 | | |
| EHD4X48A** | *8MPV075 | TDR&TXV | 36,000 | 0.77 | 12.50 | 15.00 | | |
| EHD4X48A** | *8MPV100 | TDR&TXV | 36,400 | 0.77 | 13.00 | 15.50 | | |
| EHD4X48A** | *8MPV125 | TDR&TXV | 36,400 | 0.77 | 13.00 | 15.50 | | |
| EHD4X48A** | *9MPV050 | TDR&TXV | 35,800 | 0.77 | 12.00 | 14.50 | | |
| EHD4X48A** | *9MPV075 | TDR&TXV | 35,800 | 0.77 | 12.50 | 14.50 | | |

2009 ENERGY STAR compliance for combinations with both: SEER 14.50 or higher and EER 12.00 or higher.

† For coils not listed with a matching furnace or blower, coil rating applies with any indoor blower device.

- continued on next page -

COOLING PERFORMANCE FOR COMBINATION RATINGS (continued) Indoor Models

| Outdoor Model | Current Indoor Model († tested combo) | Furnace Model | Factory Installed | Cooling (95 ° F) | | | SEER | |
|---------------------------------------|--|---------------|-------------------|------------------|-------|-------|---------|--------------|
| | | | | BTU/hr | S/T | EER | factory | w/ field TDR |
| N4A436AKA N4A436GKA (continued) | EHD4X48A** | *9MPV100 | TDR&TXV | 36,200 | 0.77 | 13.00 | 15.00 | |
| | EHD4X48A** | *9MPV125 | TDR&TXV | 36,600 | 0.77 | 13.00 | 15.50 | |
| | EHD4X48A** | *9MVX040 | TDR&TXV | 36,000 | 0.77 | 12.20 | 14.50 | |
| | EHD4X48A** | *9MVX060 | TDR&TXV | 36,000 | 0.77 | 12.50 | 15.00 | |
| | EHD4X48A** | *9MVX080 | TDR&TXV | 36,600 | 0.77 | 12.50 | 15.00 | |
| | EHD4X48A** | *9MVX100 | TDR&TXV | 36,000 | 0.77 | 13.00 | 15.50 | |
| | EHD4X48A** | MV16J22**B* | TDR&TXV | 35,800 | 0.77 | 13.00 | 16.00 | |
| | EHD4X60A** | *8MPV125 | TDR&TXV | 35,800 | 0.77 | 13.00 | 16.00 | |
| | EHD4X60A** | MV12F19**B* | TDR&TXV | 35,800 | 0.77 | 13.00 | 16.00 | |
| | EHD4X60A** | MV16J22**B* | TDR&TXV | 35,800 | 0.77 | 13.00 | 16.00 | |
| | EHD4X60A** | MV20L24**B* | TDR&TXV | 35,800 | 0.77 | 13.00 | 16.00 | |
| | EMA4X36D** | † | TXV | 35,400 | 0.77 | 11.50 | | 14.00 |
| | FEM4X36**** | — | TDR&TXV | 36,600 | 0.77 | 13.00 | 15.00 | |
| | FEM4X42**** | — | TDR&TXV | 36,600 | 0.77 | 13.05 | 15.00 | |
| | FS(M,U)4X42**** | — | TDR&TXV | 35,400 | 0.77 | 12.00 | 14.00 | |
| | FSM2X36**** | — | TDR&TXV | 35,200 | 0.77 | 12.00 | 14.00 | |
| | FSM4X36**** | — | TDR&TXV | 35,400 | 0.77 | 12.20 | 14.00 | |
| | FSU4X36**** | — | TDR&TXV | 34,800 | 0.77 | 11.95 | 14.00 | |
| FVM4X36**** | — | TDR&TXV | 35,400 | 0.77 | 12.50 | 15.00 | | |
| FVM4X48**** | — | TDR&TXV | 36,600 | 0.77 | 13.00 | 16.00 | | |
| N4A442AKB N4A442GKB | †ED*4X48J** | † | TXV | 40,500 | 0.77 | 12.00 | | 14.00 |
| | ED*4X42F** | *8MPV075 | TDR&TXV | 39,500 | 0.77 | 12.00 | 14.00 | |
| | ED*4X42F** | *9MPV075 | TDR&TXV | 39,000 | 0.77 | 11.70 | 13.50 | |
| | ED*4X42F** | *9MVX060 | TDR&TXV | 39,500 | 0.77 | 12.00 | 14.00 | |
| | ED*4X42F** | MV12F19**B* | TDR&TXV | 40,000 | 0.77 | 12.50 | 15.00 | |
| | ED*4X42F** | † | TXV | 40,000 | 0.77 | 11.70 | | 13.50 |
| | ED*4X42J** | *8MPV075 | TDR&TXV | 39,500 | 0.77 | 12.00 | 14.25 | |
| | ED*4X42J** | *8MPV100 | TDR&TXV | 40,000 | 0.77 | 12.20 | 14.50 | |
| | ED*4X42J** | *8MPV125 | TDR&TXV | 40,000 | 0.77 | 12.20 | 14.50 | |
| | ED*4X42J** | *9MPV075 | TDR&TXV | 39,500 | 0.77 | 11.50 | 13.50 | |
| | ED*4X42J** | *9MPV100 | TDR&TXV | 40,000 | 0.77 | 12.20 | 14.50 | |
| | ED*4X42J** | *9MVX060 | TDR&TXV | 39,500 | 0.77 | 12.00 | 14.00 | |
| | ED*4X42J** | *9MVX080 | TDR&TXV | 40,000 | 0.77 | 12.20 | 14.50 | |
| | ED*4X42J** | MV16J22**B* | TDR&TXV | 40,000 | 0.77 | 13.00 | 15.00 | |
| | ED*4X42J** | † | TXV | 40,000 | 0.77 | 11.70 | | 13.50 |
| | ED*4X42L** | *8MPV100 | TDR&TXV | 40,000 | 0.77 | 12.50 | 14.50 | |
| | ED*4X42L** | *8MPV125 | TDR&TXV | 40,000 | 0.77 | 12.50 | 15.00 | |
| | ED*4X42L** | *9MPV100 | TDR&TXV | 40,000 | 0.77 | 12.50 | 14.50 | |
| | ED*4X42L** | *9MPV125 | TDR&TXV | 40,000 | 0.77 | 12.20 | 14.50 | |
| | ED*4X42L** | *9MPV125 | TDR&TXV | 40,000 | 0.77 | 12.50 | 14.50 | |
| | ED*4X42L** | *9MVX080 | TDR&TXV | 40,000 | 0.77 | 12.00 | 14.50 | |
| | ED*4X42L** | *9MVX100 | TDR&TXV | 40,000 | 0.77 | 12.20 | 14.50 | |
| | ED*4X42L** | MV20L24**B* | TDR&TXV | 40,000 | 0.77 | 13.00 | 15.00 | |
| | ED*4X42L** | † | TXV | 40,000 | 0.77 | 11.70 | | 13.50 |
| | ED*4X48F** | *8MPV075 | TDR&TXV | 40,000 | 0.77 | 12.20 | 14.50 | |
| | ED*4X48F** | *9MVX060 | TDR&TXV | 40,500 | 0.77 | 12.00 | 14.00 | |
| | ED*4X48F** | MV12F19**B* | TDR&TXV | 41,000 | 0.77 | 13.00 | 15.00 | |
| | ED*4X48F** | † | TXV | 40,500 | 0.77 | 12.00 | | 14.00 |
| | ED*4X48J** | *8MPV075 | TDR&TXV | 40,500 | 0.77 | 12.00 | 14.50 | |
| | ED*4X48J** | *8MPV100 | TDR&TXV | 40,500 | 0.77 | 12.50 | 15.00 | |
| | ED*4X48J** | *8MPV125 | TDR&TXV | 40,500 | 0.77 | 12.50 | 15.00 | |
| | ED*4X48J** | *9MPV075 | TDR&TXV | 40,000 | 0.77 | 12.00 | 14.00 | |
| | ED*4X48J** | *9MPV100 | TDR&TXV | 40,500 | 0.77 | 12.20 | 14.50 | |
| | ED*4X48J** | *9MVX060 | TDR&TXV | 40,000 | 0.77 | 12.00 | 14.00 | |
| | ED*4X48J** | *9MVX080 | TDR&TXV | 40,500 | 0.77 | 12.20 | 14.50 | |
| | ED*4X48J** | MV16J22**B* | TDR&TXV | 41,000 | 0.77 | 13.00 | 15.50 | |
| | ED*4X48L** | *8MPV100 | TDR&TXV | 40,500 | 0.77 | 12.50 | 15.00 | |
| | ED*4X48L** | *8MPV125 | TDR&TXV | 40,500 | 0.77 | 12.50 | 15.00 | |
| | ED*4X48L** | *9MPV100 | TDR&TXV | 40,500 | 0.77 | 12.50 | 14.50 | |
| | ED*4X48L** | *9MPV125 | TDR&TXV | 40,500 | 0.77 | 12.50 | 15.00 | |
| ED*4X48L** | *9MPV125 | TDR&TXV | 40,500 | 0.77 | 12.50 | 15.00 | | |
| ED*4X48L** | *9MVX080 | TDR&TXV | 40,500 | 0.77 | 12.50 | 14.50 | | |

2009 ENERGY STAR compliance for combinations with both: SEER 14.50 or higher and EER 12.00 or higher.

† For coils not listed with a matching furnace or blower, coil rating applies with any indoor blower device.

- continued on next page -

| COOLING PERFORMANCE FOR COMBINATION RATINGS (continued) Indoor Models | | | | | | | | |
|---|--|---------------|-------------------|-----------------|-------|-------|---------|--------------|
| Outdoor Model | Current Indoor Model (‡ tested combo) | Furnace Model | Factory Installed | Cooling (95° F) | | | SEER | |
| | | | | BTU/hr | S/T | EER | factory | w/ field TDR |
| N4A442AKB N4A442GKB (continued) | ED*4X48L** | *9MVX100 | TDR&TXV | 40,500 | 0.77 | 12.20 | 14.50 | |
| | ED*4X48L** | MV20L24**B* | TDR&TXV | 41,000 | 0.77 | 13.00 | 15.50 | |
| | ED*4X48L** | † | TXV | 40,500 | 0.77 | 12.00 | | 14.00 |
| | ED*4X60J** | *8MPV075 | TDR&TXV | 41,000 | 0.77 | 12.50 | 14.75 | |
| | ED*4X60J** | *8MPV100 | TDR&TXV | 41,500 | 0.77 | 13.00 | 15.00 | |
| | ED*4X60J** | *8MPV125 | TDR&TXV | 41,500 | 0.77 | 13.00 | 15.00 | |
| | ED*4X60J** | *9MPV075 | TDR&TXV | 41,000 | 0.77 | 12.00 | 14.25 | |
| | ED*4X60J** | *9MPV100 | TDR&TXV | 41,500 | 0.77 | 12.50 | 15.00 | |
| | ED*4X60J** | *9MPV125 | TDR&TXV | 41,500 | 0.77 | 13.00 | 15.00 | |
| | ED*4X60J** | *9MVX060 | TDR&TXV | 41,000 | 0.77 | 12.00 | 14.50 | |
| | ED*4X60J** | *9MVX080 | TDR&TXV | 41,500 | 0.77 | 12.50 | 15.00 | |
| | ED*4X60J** | MV16J22**B* | TDR&TXV | 41,000 | 0.77 | 13.00 | 16.00 | |
| | ED*4X60J** | *8MPV125 | TDR&TXV | 41,000 | 0.77 | 13.00 | 16.00 | |
| | ED*4X60J** | MV12F19**B* | TDR&TXV | 41,000 | 0.77 | 13.00 | 16.00 | |
| | ED*4X60L** | *8MPV100 | TDR&TXV | 41,500 | 0.77 | 13.00 | 15.00 | |
| | ED*4X60L** | *8MPV125 | TDR&TXV | 41,500 | 0.77 | 13.00 | 15.00 | |
| | ED*4X60L** | *9MPV100 | TDR&TXV | 41,500 | 0.77 | 12.50 | 15.00 | |
| | ED*4X60L** | *9MPV125 | TDR&TXV | 41,500 | 0.77 | 13.00 | 15.00 | |
| | ED*4X60L** | *9MVX080 | TDR&TXV | 41,500 | 0.77 | 12.50 | 15.00 | |
| | ED*4X60L** | *9MVX100 | TDR&TXV | 41,000 | 0.77 | 13.00 | 15.00 | |
| | ED*4X60L** | *8MPV125 | TDR&TXV | 41,000 | 0.77 | 13.00 | 16.00 | |
| | ED*4X60L** | MV16J22**B* | TDR&TXV | 41,000 | 0.77 | 13.00 | 16.00 | |
| | EHD4X42A** | *8MPV075 | TDR&TXV | 40,500 | 0.77 | 12.20 | 14.50 | |
| | EHD4X42A** | *8MPV100 | TDR&TXV | 41,000 | 0.77 | 12.50 | 15.00 | |
| | EHD4X42A** | *8MPV125 | TDR&TXV | 41,000 | 0.77 | 12.50 | 15.00 | |
| | EHD4X42A** | *9MPV100 | TDR&TXV | 40,500 | 0.77 | 12.20 | 14.50 | |
| | EHD4X42A** | *9MPV125 | TDR&TXV | 40,500 | 0.77 | 12.50 | 15.00 | |
| | EHD4X42A** | *9MVX060 | TDR&TXV | 39,500 | 0.77 | 12.00 | 14.00 | |
| | EHD4X42A** | *9MVX080 | TDR&TXV | 40,000 | 0.77 | 12.20 | 14.50 | |
| | EHD4X42A** | *9MVX100 | TDR&TXV | 40,000 | 0.77 | 12.20 | 14.50 | |
| | EHD4X42A** | MV12F19**B* | TDR&TXV | 40,000 | 0.77 | 13.00 | 15.00 | |
| | EHD4X42A** | MV16J22**B* | TDR&TXV | 40,000 | 0.77 | 13.00 | 15.00 | |
| | EHD4X42A** | MV20L24**B* | TDR&TXV | 40,000 | 0.77 | 13.00 | 15.00 | |
| | EHD4X42A** | † | TXV | 40,500 | 0.77 | 12.00 | | 14.00 |
| | EHD4X48A** | *8MPV075 | TDR&TXV | 40,500 | 0.77 | 12.20 | 14.50 | |
| | EHD4X48A** | *8MPV100 | TDR&TXV | 41,000 | 0.77 | 12.50 | 15.00 | |
| | EHD4X48A** | *8MPV125 | TDR&TXV | 41,000 | 0.77 | 12.50 | 15.00 | |
| | EHD4X48A** | *9MPV100 | TDR&TXV | 41,000 | 0.77 | 12.20 | 14.50 | |
| | EHD4X48A** | *9MPV125 | TDR&TXV | 41,000 | 0.77 | 12.50 | 15.00 | |
| | EHD4X48A** | *9MVX060 | TDR&TXV | 40,500 | 0.77 | 12.00 | 14.00 | |
| | EHD4X48A** | *9MVX080 | TDR&TXV | 40,500 | 0.77 | 12.20 | 14.50 | |
| | EHD4X48A** | *9MVX100 | TDR&TXV | 40,500 | 0.77 | 12.20 | 14.50 | |
| | EHD4X48A** | MV12F19**B* | TDR&TXV | 41,000 | 0.77 | 13.00 | 15.50 | |
| | EHD4X48A** | MV16J22**B* | TDR&TXV | 41,000 | 0.77 | 13.00 | 15.50 | |
| | EHD4X48A** | MV20L24**B* | TDR&TXV | 41,000 | 0.77 | 13.00 | 15.50 | |
| | EHD4X48A** | † | TXV | 41,000 | 0.77 | 12.00 | | 14.00 |
| | EHD4X60A** | *8MPV075 | TDR&TXV | 41,500 | 0.77 | 12.50 | 14.75 | |
| EHD4X60A** | *8MPV100 | TDR&TXV | 41,500 | 0.77 | 13.00 | 15.00 | | |
| EHD4X60A** | *8MPV125 | TDR&TXV | 41,500 | 0.77 | 13.00 | 15.00 | | |
| EHD4X60A** | *9MPV075 | TDR&TXV | 41,000 | 0.77 | 12.00 | 14.25 | | |
| EHD4X60A** | *9MPV100 | TDR&TXV | 41,500 | 0.77 | 13.00 | 15.00 | | |
| EHD4X60A** | *9MPV125 | TDR&TXV | 41,500 | 0.77 | 13.00 | 15.00 | | |
| EHD4X60A** | *9MVX060 | TDR&TXV | 41,000 | 0.77 | 12.00 | 14.50 | | |
| EHD4X60A** | *9MVX080 | TDR&TXV | 41,500 | 0.77 | 12.50 | 15.00 | | |
| EHD4X60A** | *9MVX100 | TDR&TXV | 41,500 | 0.77 | 13.00 | 15.00 | | |
| EHD4X60A** | *8MPV100 | TDR&TXV | 41,000 | 0.77 | 13.00 | 16.00 | | |
| EHD4X60A** | *8MPV125 | TDR&TXV | 41,000 | 0.77 | 13.00 | 16.00 | | |
| EHD4X60A** | MV12F19**B* | TDR&TXV | 41,000 | 0.77 | 13.00 | 16.00 | | |
| EMA4X48D** | † | TXV | 40,000 | 0.77 | 11.70 | | 14.00 | |
| FEM4X42**** | — | TDR&TXV | 40,500 | 0.77 | 12.20 | 14.50 | | |
| FEM4X48**** | — | TDR&TXV | 41,500 | 0.77 | 12.50 | 15.00 | | |
| FS(M,U)4X42**** | — | TDR&TXV | 40,000 | 0.77 | 11.70 | 13.50 | | |
| FS(M,U)4X48**** | — | TDR&TXV | 41,000 | 0.77 | 12.00 | 14.00 | | |
| FVM4X36**** | — | TDR&TXV | 39,500 | 0.77 | 12.50 | 15.00 | | |
| FVM4X48**** | — | TDR&TXV | 41,000 | 0.77 | 12.50 | 15.50 | | |
| FVM4X60**** | — | TDR&TXV | 41,500 | 0.77 | 12.50 | 15.50 | | |

2009 ENERGY STAR compliance for combinations with both: SEER 14.50 or higher and EER 12.00 or higher.

† For coils not listed with a matching furnace or blower, coil rating applies with any indoor blower device.

- continued on next page -

COOLING PERFORMANCE FOR COMBINATION RATINGS (continued) Indoor Models

| Outdoor Model | Current Indoor Model († tested combo) | Furnace Model | Factory Installed | Cooling (95 ° F) | | | SEER | |
|------------------------|--|---------------|-------------------|------------------|-------|-------|---------|--------------|
| | | | | BTU/hr | S/T | EER | factory | w/ field TDR |
| N4A448AKB N4A448GKB | ‡ED*4X60L** | † | TXV | 48,500 | 0.74 | 11.70 | | 14.00 |
| | ED*4X48F** | † | TXV | 47,000 | 0.74 | 11.70 | | 13.50 |
| | ED*4X48J** | *8MPV100 | TDR&TXV | 47,000 | 0.74 | 12.00 | 14.50 | |
| | ED*4X48J** | *8MPV125 | TDR&TXV | 47,500 | 0.74 | 12.20 | 14.50 | |
| | ED*4X48J** | *9MVX080 | TDR&TXV | 47,000 | 0.74 | 11.70 | 14.00 | |
| | ED*4X48J** | MV16J22**B* | TDR&TXV | 47,000 | 0.74 | 12.00 | 15.00 | |
| | ED*4X48J** | † | TXV | 47,500 | 0.74 | 11.50 | | 13.50 |
| | ED*4X48L** | *9MPV125 | TDR&TXV | 47,000 | 0.74 | 12.00 | 14.00 | |
| | ED*4X48L** | *9MVX100 | TDR&TXV | 47,000 | 0.74 | 12.00 | 14.00 | |
| | ED*4X48L** | MV20L24**B* | TDR&TXV | 47,000 | 0.74 | 12.50 | 15.00 | |
| | ED*4X48L** | † | TXV | 47,500 | 0.74 | 11.50 | | 13.50 |
| | ED*4X48L** | *8MPV100 | TDR&TXV | 47,500 | 0.74 | 12.00 | 14.25 | |
| | ED*4X48L** | *8MPV125 | TDR&TXV | 47,500 | 0.74 | 12.00 | 14.50 | |
| | ED*4X48L** | *9MPV100 | TDR&TXV | 47,000 | 0.74 | 11.50 | 14.00 | |
| | ED*4X48L** | *9MPV125 | TDR&TXV | 47,000 | 0.74 | 12.00 | 14.25 | |
| | ED*4X48L** | *9MVX080 | TDR&TXV | 47,000 | 0.74 | 11.50 | 14.00 | |
| | ED*4X60J** | *8MPV100 | TDR&TXV | 48,500 | 0.74 | 12.20 | 14.50 | |
| | ED*4X60J** | *8MPV125 | TDR&TXV | 48,500 | 0.74 | 12.50 | 15.00 | |
| | ED*4X60J** | *9MPV100 | TDR&TXV | 48,500 | 0.74 | 12.20 | 14.50 | |
| | ED*4X60J** | *9MVX080 | TDR&TXV | 48,500 | 0.74 | 12.20 | 14.50 | |
| | ED*4X60J** | MV16J22**B* | TDR&TXV | 48,500 | 0.74 | 12.50 | 15.00 | |
| | ED*4X60J** | † | TXV | 48,500 | 0.74 | 11.70 | | 14.00 |
| | ED*4X60L** | *9MPV125 | TDR&TXV | 48,000 | 0.74 | 12.20 | 14.50 | |
| | ED*4X60L** | *9MVX100 | TDR&TXV | 48,000 | 0.74 | 12.20 | 14.50 | |
| | ED*4X60L** | MV20L24**B* | TDR&TXV | 48,500 | 0.74 | 12.50 | 15.00 | |
| | ED*4X60L** | *8MPV100 | TDR&TXV | 48,500 | 0.74 | 12.00 | 14.50 | |
| | ED*4X60L** | *8MPV125 | TDR&TXV | 48,500 | 0.74 | 12.00 | 14.50 | |
| | ED*4X60L** | *9MPV100 | TDR&TXV | 48,000 | 0.74 | 12.00 | 14.50 | |
| | ED*4X60L** | *9MPV125 | TDR&TXV | 48,000 | 0.74 | 12.00 | 14.50 | |
| | ED*4X60L** | *9MVX080 | TDR&TXV | 48,000 | 0.74 | 12.00 | 14.50 | |
| | EHD4X48A** | *8MPV100 | TDR&TXV | 47,000 | 0.74 | 12.00 | 14.50 | |
| | EHD4X48A** | *8MPV125 | TDR&TXV | 47,000 | 0.74 | 12.20 | 14.50 | |
| | EHD4X48A** | *9MVX080 | TDR&TXV | 47,000 | 0.74 | 11.70 | 14.00 | |
| | EHD4X48A** | *9MVX100 | TDR&TXV | 47,000 | 0.74 | 12.00 | 14.00 | |
| | EHD4X48A** | MV16J22**B* | TDR&TXV | 47,000 | 0.74 | 12.50 | 15.00 | |
| | EHD4X48A** | MV20L24**B* | TDR&TXV | 47,000 | 0.74 | 12.50 | 15.00 | |
| | EHD4X48A** | † | TXV | 47,500 | 0.74 | 11.70 | | 13.50 |
| | EHD4X60A** | *8MPV100 | TDR&TXV | 48,000 | 0.74 | 12.20 | 14.50 | |
| | EHD4X60A** | *8MPV125 | TDR&TXV | 48,000 | 0.74 | 12.50 | 15.00 | |
| | EHD4X60A** | *9MPV100 | TDR&TXV | 48,000 | 0.74 | 12.20 | 14.50 | |
| | EHD4X60A** | *9MPV125 | TDR&TXV | 48,000 | 0.74 | 12.20 | 14.50 | |
| | EHD4X60A** | *9MVX080 | TDR&TXV | 48,000 | 0.74 | 12.20 | 14.50 | |
| EHD4X60A** | *9MVX100 | TDR&TXV | 48,000 | 0.74 | 12.20 | 14.50 | | |
| EHD4X60A** | MV16J22**B* | TDR&TXV | 48,500 | 0.74 | 13.00 | 15.00 | | |
| EHD4X60A** | MV20L24**B* | TDR&TXV | 48,500 | 0.74 | 13.00 | 15.00 | | |
| EHD4X60A** | † | TXV | 48,500 | 0.74 | 11.70 | | 14.00 | |
| EMA4X48D** | † | TXV | 46,000 | 0.74 | 11.50 | | 13.50 | |
| FEM4X48**** | — | TDR&TXV | 48,500 | 0.74 | 12.20 | 14.50 | | |
| FEM4X60**** | — | TDR&TXV | 49,000 | 0.74 | 12.50 | 15.00 | | |
| FS(M,U)4X48**** | — | TDR&TXV | 48,000 | 0.74 | 11.50 | 13.50 | | |
| FS(M,U)4X60**** | — | TDR&TXV | 48,500 | 0.74 | 11.70 | 14.00 | | |
| FVM4X48**** | — | TDR&TXV | 48,000 | 0.74 | 12.50 | 15.00 | | |
| FVM4X60**** | — | TDR&TXV | 48,500 | 0.74 | 12.50 | 15.50 | | |
| N4A449AKB N4A449GKB | ‡ED*4X60L** | † | TXV | 46,000 | 0.75 | 12.50 | | 14.50 |
| | ED*4X48F** | *8MPV100 | TDR&TXV | 45,000 | 0.75 | 12.50 | 15.00 | |
| | ED*4X48F** | *8MPV125 | TDR&TXV | 45,000 | 0.75 | 12.50 | 15.00 | |
| | ED*4X48F** | *9MPV100 | TDR&TXV | 45,000 | 0.75 | 12.50 | 14.50 | |
| | ED*4X48F** | *9MVX080 | TDR&TXV | 45,000 | 0.75 | 12.50 | 14.50 | |
| | ED*4X48F** | MV16J22**B* | TDR&TXV | 45,000 | 0.75 | 13.00 | 16.00 | |
| | ED*4X48F** | † | TXV | 45,000 | 0.75 | 12.50 | | 14.50 |
| | ED*4X48J** | *8MPV100 | TDR&TXV | 45,000 | 0.75 | 12.50 | 15.00 | |
| | ED*4X48J** | *8MPV125 | TDR&TXV | 45,000 | 0.75 | 12.50 | 15.00 | |
| | ED*4X48J** | *9MPV100 | TDR&TXV | 44,500 | 0.75 | 12.50 | 14.50 | |
| | ED*4X48J** | *9MPV125 | TDR&TXV | 44,500 | 0.75 | 12.50 | 15.00 | |
| | ED*4X48J** | *9MVX080 | TDR&TXV | 44,500 | 0.75 | 12.50 | 14.50 | |
| | ED*4X48J** | *9MVX100 | TDR&TXV | 44,500 | 0.75 | 12.50 | 15.00 | |
| | ED*4X48J** | MV16J22**B* | TDR&TXV | 45,000 | 0.75 | 13.00 | 16.00 | |

2009 ENERGY STAR compliance for combinations with both: SEER 14.50 or higher and EER 12.00 or higher.

† For coils not listed with a matching furnace or blower, coil rating applies with any indoor blower device.

- continued on next page -

| COOLING PERFORMANCE FOR COMBINATION RATINGS (continued) Indoor Models | | | | | | | | |
|---|--|---------------|-------------------|------------------|-------|-------|---------|--------------|
| Outdoor Model | Current Indoor Model († tested combo) | Furnace Model | Factory Installed | Cooling (95 ° F) | | | SEER | |
| | | | | BTU/hr | S/T | EER | factory | w/ field TDR |
| N4A449AKB N4A449GKB (continued) | ED*4X48J** | † | TXV | 45,000 | 0.75 | 12.00 | | 14.20 |
| | ED*4X48L** | *8MPV100 | TDR&TXV | 45,000 | 0.75 | 12.50 | 15.00 | |
| | ED*4X48L** | *8MPV125 | TDR&TXV | 45,000 | 0.75 | 12.50 | 15.00 | |
| | ED*4X48L** | *9MPV100 | TDR&TXV | 44,500 | 0.75 | 12.50 | 14.50 | |
| | ED*4X48L** | *9MPV125 | TDR&TXV | 44,500 | 0.75 | 12.50 | 15.00 | |
| | ED*4X48L** | *9MVX080 | TDR&TXV | 45,000 | 0.75 | 12.50 | 14.50 | |
| | ED*4X48L** | *9MVX100 | TDR&TXV | 44,500 | 0.75 | 12.50 | 15.00 | |
| | ED*4X48L** | MV16J22**B* | TDR&TXV | 45,000 | 0.75 | 13.00 | 16.00 | |
| | ED*4X48L** | † | TXV | 45,000 | 0.75 | 12.00 | | 14.20 |
| | ED*4X60J** | *8MPV100 | TDR&TXV | 46,000 | 0.75 | 13.00 | 16.00 | |
| | ED*4X60J** | *8MPV125 | TDR&TXV | 46,000 | 0.75 | 13.00 | 16.00 | |
| | ED*4X60J** | *9MPV100 | TDR&TXV | 45,500 | 0.75 | 12.50 | 15.00 | |
| | ED*4X60J** | *9MPV125 | TDR&TXV | 45,500 | 0.75 | 12.50 | 15.50 | |
| | ED*4X60J** | *9MVX080 | TDR&TXV | 45,500 | 0.75 | 12.50 | 15.00 | |
| | ED*4X60J** | *9MVX100 | TDR&TXV | 45,500 | 0.75 | 12.50 | 15.50 | |
| | ED*4X60J** | MV16J22**B* | TDR&TXV | 46,000 | 0.75 | 13.00 | 16.00 | |
| | ED*4X60J** | † | TXV | 46,000 | 0.75 | 12.50 | | 14.50 |
| | ED*4X60L** | *8MPV100 | TDR&TXV | 46,000 | 0.75 | 12.50 | 15.50 | |
| | ED*4X60L** | *8MPV125 | TDR&TXV | 46,000 | 0.75 | 13.00 | 16.00 | |
| | ED*4X60L** | *9MPV100 | TDR&TXV | 45,500 | 0.75 | 12.50 | 15.00 | |
| | ED*4X60L** | *9MPV125 | TDR&TXV | 45,500 | 0.75 | 12.50 | 15.50 | |
| | ED*4X60L** | *9MVX080 | TDR&TXV | 45,500 | 0.75 | 12.50 | 15.00 | |
| | ED*4X60L** | *9MVX100 | TDR&TXV | 45,500 | 0.75 | 12.50 | 15.50 | |
| | ED*4X60L** | MV16J22**B* | TDR&TXV | 46,000 | 0.75 | 13.00 | 16.00 | |
| | EHD4X48A** | *8MPV100 | TDR&TXV | 45,500 | 0.75 | 12.50 | 15.00 | |
| | EHD4X48A** | *8MPV125 | TDR&TXV | 45,000 | 0.75 | 12.50 | 15.00 | |
| | EHD4X48A** | *9MPV100 | TDR&TXV | 45,000 | 0.75 | 12.50 | 15.00 | |
| | EHD4X48A** | *9MPV125 | TDR&TXV | 45,000 | 0.75 | 12.50 | 15.00 | |
| | EHD4X48A** | *9MVX080 | TDR&TXV | 45,000 | 0.75 | 12.50 | 15.00 | |
| | EHD4X48A** | *9MVX100 | TDR&TXV | 45,000 | 0.75 | 12.50 | 15.00 | |
| | EHD4X48A** | MV16J22**B* | TDR&TXV | 45,000 | 0.75 | 13.00 | 16.00 | |
| | EHD4X48A** | † | TXV | 45,500 | 0.75 | 12.50 | | 14.50 |
| | EHD4X60A** | *8MPV100 | TDR&TXV | 46,000 | 0.75 | 13.00 | 16.00 | |
| | EHD4X60A** | *8MPV125 | TDR&TXV | 46,000 | 0.75 | 13.00 | 16.00 | |
| | EHD4X60A** | *9MPV100 | TDR&TXV | 46,000 | 0.75 | 12.50 | 15.50 | |
| | EHD4X60A** | *9MPV125 | TDR&TXV | 46,000 | 0.75 | 13.00 | 16.00 | |
| | EHD4X60A** | *9MVX080 | TDR&TXV | 46,000 | 0.75 | 12.50 | 15.50 | |
| | EHD4X60A** | *9MVX100 | TDR&TXV | 46,000 | 0.75 | 12.50 | 15.50 | |
| | EHD4X60A** | MV16J22**B* | TDR&TXV | 46,000 | 0.75 | 13.00 | 16.00 | |
| | EHD4X60A** | † | TXV | 46,000 | 0.75 | 12.50 | | 14.50 |
| EMA4X48D** | † | TXV | 44,000 | 0.75 | 12.50 | | 14.20 | |
| FEM4X48**** | — | TDR&TXV | 46,000 | 0.75 | 12.50 | 15.50 | | |
| FEM4X60**** | — | TDR&TXV | 46,000 | 0.75 | 13.00 | 16.00 | | |
| FS(M,U)4X48**** | — | TDR&TXV | 45,000 | 0.75 | 12.00 | 14.50 | | |
| FS(M,U)4X60**** | — | TDR&TXV | 46,000 | 0.75 | 12.00 | 14.50 | | |
| FVM4X48**** | — | TDR&TXV | 46,000 | 0.75 | 13.00 | 16.00 | | |
| FVM4X60**** | — | TDR&TXV | 46,000 | 0.75 | 13.00 | 16.00 | | |
| N4A460AKB N4A460GKB | †ED*4X60L** | † | TXV | 59,000 | 0.75 | 12.00 | | 14.00 |
| | ED*4X60J** | *8MPV100 | TDR&TXV | 57,000 | 0.75 | 12.20 | 14.50 | |
| | ED*4X60J** | *8MPV125 | TDR&TXV | 57,000 | 0.75 | 12.50 | 14.50 | |
| | ED*4X60J** | *9MVX080 | TDR&TXV | 57,000 | 0.75 | 12.00 | 14.50 | |
| | ED*4X60J** | MV16J22**B* | TDR&TXV | 58,500 | 0.75 | 12.50 | 14.50 | |
| | ED*4X60J** | † | TXV | 58,000 | 0.75 | 12.00 | | 14.00 |
| | ED*4X60J** | *8MPV100 | TDR&TXV | 57,000 | 0.75 | 12.00 | 14.50 | |
| | ED*4X60J** | *8MPV125 | TDR&TXV | 57,000 | 0.75 | 12.50 | 14.50 | |
| | ED*4X60J** | *9MPV100 | TDR&TXV | 57,000 | 0.75 | 12.00 | 14.00 | |
| | ED*4X60J** | *9MVX080 | TDR&TXV | 57,000 | 0.75 | 12.00 | 14.00 | |
| | ED*4X60L** | *9MPV125 | TDR&TXV | 56,500 | 0.75 | 12.20 | 14.50 | |
| | ED*4X60L** | *9MVX100 | TDR&TXV | 57,000 | 0.75 | 12.00 | 14.50 | |
| ED*4X60L** | MV20L24**B* | TDR&TXV | 58,500 | 0.75 | 12.50 | 14.50 | | |

2009 ENERGY STAR compliance for combinations with both: SEER 14.50 or higher and EER 12.00 or higher.

† For coils not listed with a matching furnace or blower, coil rating applies with any indoor blower device.

- continued on next page -

COOLING PERFORMANCE FOR COMBINATION RATINGS (continued) Indoor Models

| Outdoor Model | Current Indoor Model (‡ tested combo) | Furnace Model | Factory Installed | Cooling (95 ° F) | | | SEER | |
|---------------------------------------|--|---------------|-------------------|------------------|-------|-------|---------|--------------|
| | | | | BTU/hr | S/T | EER | factory | w/ field TDR |
| N4A460AKB N4A460GKB (continued) | ED*4X60L** | *8MPV100 | TDR&TXV | 57,000 | 0.75 | 12.00 | 14.50 | |
| | ED*4X60L** | *8MPV125 | TDR&TXV | 58,500 | 0.75 | 12.00 | 14.00 | |
| | ED*4X60L** | *9MPV100 | TDR&TXV | 56,500 | 0.75 | 12.00 | 14.00 | |
| | ED*4X60L** | *9MPV125 | TDR&TXV | 56,500 | 0.75 | 12.00 | 14.50 | |
| | ED*4X60L** | *9MPV125 | TDR&TXV | 56,500 | 0.75 | 12.00 | 14.50 | |
| | ED*4X60L** | *9MVX080 | TDR&TXV | 57,000 | 0.75 | 12.00 | 14.00 | |
| | ED*4X60L** | *9MVX100 | TDR&TXV | 56,500 | 0.75 | 12.00 | 14.25 | |
| | EHD4X60A** | *8MPV100 | TDR&TXV | 57,000 | 0.75 | 12.20 | 14.50 | |
| | EHD4X60A** | *8MPV125 | TDR&TXV | 57,000 | 0.75 | 12.20 | 14.50 | |
| | EHD4X60A** | *9MPV125 | TDR&TXV | 56,500 | 0.75 | 12.20 | 14.50 | |
| | EHD4X60A** | *9MVX080 | TDR&TXV | 57,000 | 0.75 | 12.00 | 14.50 | |
| | EHD4X60A** | *9MVX100 | TDR&TXV | 57,000 | 0.75 | 12.00 | 14.50 | |
| | EHD4X60A** | MV16J22**B* | TDR&TXV | 58,500 | 0.75 | 12.50 | 14.50 | |
| | EHD4X60A** | MV20L24**B* | TDR&TXV | 58,500 | 0.75 | 12.50 | 14.50 | |
| | EHD4X60A** | † | TXV | 59,000 | 0.75 | 12.00 | | 14.00 |
| | EHD4X60A** | *8MPV100 | TDR&TXV | 57,500 | 0.75 | 12.00 | 14.50 | |
| | EHD4X60A** | *8MPV125 | TDR&TXV | 57,500 | 0.75 | 12.50 | 14.50 | |
| | EHD4X60A** | *9MPV100 | TDR&TXV | 57,000 | 0.75 | 12.00 | 14.25 | |
| | EHD4X60A** | *9MPV125 | TDR&TXV | 57,000 | 0.75 | 12.00 | 14.50 | |
| | EHD4X60A** | *9MVX080 | TDR&TXV | 57,000 | 0.75 | 12.00 | 14.25 | |
| EHD4X60A** | *9MVX100 | TDR&TXV | 57,000 | 0.75 | 12.00 | 14.50 | | |
| FEM4X60**** | — | TDR&TXV | 60,000 | 0.75 | 12.20 | 14.50 | | |
| FS(M,U)4X60**** | — | TDR&TXV | 59,000 | 0.75 | 11.50 | 13.50 | | |
| FVM4X60**** | — | TDR&TXV | 59,000 | 0.75 | 12.20 | 14.50 | | |

2009 ENERGY STAR compliance for combinations with both: SEER 14.50 or higher and EER 12.00 or higher.

† For coils not listed with a matching furnace or blower, coil rating applies with any indoor blower device.

| ACCESSORY USAGE GUIDELINES | | |
|------------------------------------|--|---|
| Accessory | REQUIRED FOR LOW-AMBIENT APPLICATIONS {Below 55°F (13°C)} | REQUIRED FOR LONG LINE APPLICATIONS* {Over 80 Ft. (24.4m)} |
| Crankcase Heater | Yes | Yes |
| Evaporator Freeze Thermostat | Yes | No |
| Winter Start Control | Yes ** | No |
| Hard Start Kit (Capacitor & Relay) | Yes | Yes |
| Low Ambient Kit (Pressure Switch) | Yes | No |
| Support Feet, 4" (102mm) tall | Recommended | No |
| Liquid Line Solenoid Valve | No | See Long-Line Application Guideline |

* For Line Set lengths between 80 and 200 ft (24.4 and 61m) horizontal, or more than 20 ft (6.1m) indoor-outdoor vertical separation, refer to the Long Line Application Guideline document.

** Can only be installed in conjunction with Low Pressure Switch.

| ACCESSORIES | | |
|--------------------|--|--------------------------------------|
| Part Number | Description | Used On Model Size |
| NASA003CH | Crankcase Heater for Scroll Compressor (208/230 V) | 18, 24, 30, 36 |
| NASA001CH | Crankcase Heater for Scroll Compressor (208/230 V) | 42, 48 (49, 60 Factory installed) |
| NASA001SC | Start Component - PTC Device | ALL |
| NASA001FS | Evaporator Freeze Thermostat | ALL |
| NASA403PS | Low Pressure Switch, AC, R-410A | ALL |
| NASA404PS | High Pressure Switch, AC or HP, R-410A | ALL |
| NASA401LS | Liquid Line Solenoid Valve, R-410A | ALL |
| NASA001TD | Time Delay Relay, Indoor Blower | ALL |
| NASA001WS | Winter Start Control | ALL |
| NASA001AC | Anti-Cycle Timer (5 minute delay) | ALL |
| NASA005SC | Hard Start Kit (Capacitor & Relay) | ALL |
| NASA401LA | Low Ambient Kit (Pressure Switch), R-410A | ALL |
| NASA001SF | Support Feet, 4" (102mm) tall | ALL |
| NASA001SJ | Sound Jacket, Compressor | 18, 24, 30, 36, 42, 48, 49 |
| NASA003SJ | Sound Jacket, Compressor | 60 |
| NAEA40501TX | TXV Kit, R-410A - 2010 and later Piston Coils | 18, 24, 30 |
| NAEA40601TX | TXV Kit, R-410A - 2010 and later Piston Coils | 36, 42 |
| NAEA40701TX | TXV Kit, R-410A - 2010 and later Piston Coils | 48, 49, 60 |
| EBAC05TXVX | TXV Kit, R-410A - 2005-2009 R-22 TXV Fancoils (air handlers) | 18, 24, 30 |
| EBAC06TXVX | TXV Kit, R-410A - 2005-2009 R-22 TXV Fancoils (air handlers) | 36, 42 |
| EBAC07TXVX | TXV Kit, R-410A - 2005-2009 R-22 TXV Fancoils (air handlers) | 48, 49, 60 |