

10

HEIL[®]
HEATING & COOLING PRODUCTS

10+ SEER - AIR CONDITIONER



Representative photo only, some models may vary in appearance.

1 1/2 THRU 5 TONS SPLIT SYSTEM FEATURES

- Service valves on all models with 3-1/2" stubs
- External refrigerant connections
- Copper tube / aluminum fin coil
- Prepainted condenser fins
- Fan motor in-line disconnect plug
- Factory charge
- Top air discharge for quieter operation
- Galvanized steel cabinet with integral base rails
- Triple step paint process
- Coated inlet grille
- 5 Year parts, 5 year compressor limited warranties
- 10+ SEER with Expansion Valve coils



Rated in accordance with ARI Standard 210. Certification applies only when used with proper components as listed with ARI.



International Comfort Products Corporation (USA)
651 Heil-Quaker Ave.
Lewisburg, Tennessee 37091

RESIDENTIAL AND COMMERCIAL SYSTEMS • SPLIT SYSTEMS • PACKAGED AIR CONDITIONERS • COMBINATION GAS / ELECTRIC UNITS • HEAT PUMPS • AIR HANDLERS • MANUFACTURED HOME AIR CONDITIONERS • GAS, OIL AND ELECTRIC FURNACES

Base Specifications

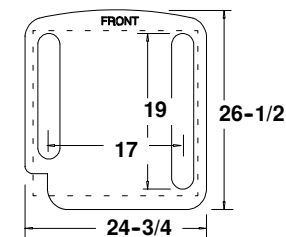
	NAC018AKB	NAC024AKB	NAC030AKA	NAC036AKA	NAC042AKA	NAC048AKA	NAC060AKA
Model Number	NAC018GKB	NAC024GKB	NAC030GKA	NAC036GKA	NAC042GKA	NAC048GKA	NAC060GKA
	NAC018MKB	NAC024MKB	NAC030MKA	NAC036MKA	NAC042MKA	NAC048MKA	NAC060MKA
Max. Cooling Capacity (Btuh)	18400	24200	29000	35600	40500	46000	57000
SEER Label	10	10	10	10	10	10	10
Sound Rating Decibels	74	76	76	76	78	80	80
Compressor Type	Recip.	Recip.	Recip.	Recip.	Recip.	Recip.	Scroll
Fan HP / Type / Speeds	1/8-PSC-1	1/8-PSC-1	1/5-PSC-1	1/5-PSC-1	1/5-PSC-1	1/3-PSC-1	1/3-PSC-1
Fan RPM / Max. CFM	1075 / 1400	1075 / 1400	1075 / 2000	1075 / 2000	1075 / 2000	1075 / 3000	1075 / 3000
Coil Face Area (Sq Ft)	9.84	9.84	10.73	11.63	13.42	15.39	17.76
Coil Rows / Fins Per Inch	1 / 20	1 / 20	1 / 20	1 / 20	1 / 20	1 / 20	1 / 20
Line Connection Suction I.D. Size (In.)	3/4	3/4	3/4	3/4	7/8	7/8	7/8
Line Connection Liquid I.D. Size (In.)	3/8	3/8	3/8	3/8	3/8	3/8	3/8
Supplied Optional Evaporator Orifice Size	.048	.055	.063	.067	.078	.079	.090
Factory Charge - R22 (Oz)	73	67	81	87	105	108	130
Weight Lbs. (Ship)	135	136	142	145	165	190	198

Electrical Specifications - 208 - 230 / 1 / 60, Voltage Range 197V - 253V

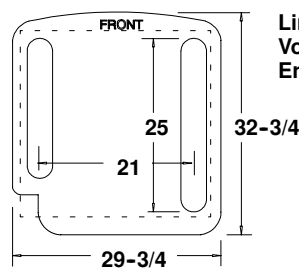
Minimum Circuit Ampacity	11.7	13.2	18.5	19.4	22.7	24.7	33.2
Wire Size/Max. Length (AWG Cu) Ft.	14 / 45	14 / 40	14 / 30	12 / 40	12 / 30	12 / 30	8 / 55
Time Delay Fuse (Amps)	15	20	25	25	30	30	40
Max. Fuse or HACR Breaker Size (Amps)	15	20	30	30	35	40	50
Compressor Full Run / Lock Rotor Amps	8.6 / 49	9.8 / 56	13.7 / 75	14.4 / 82	17.1 / 105	18.3 / 102	25 / 150
Fan Full Load / Lock Rotor Amps.	.66 / 1.55	.66 / 1.55	1.3 / 2.33	1.3 / 2.33	1.3 / 2.33	1.9 / 3.7	1.9 / 3.7

Dimensions		
Model	Chassis	Height (H)
NAC018	1	24
NAC024	1	24
NAC030	1	26
NAC036	1	28
NAC042	1	32
NAC048	2	28
NAC060	2	32

ALL DIMENSIONS IN INCHES



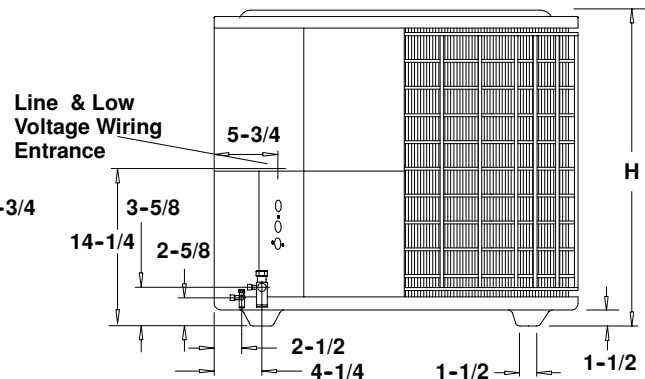
Chassis #1



Chassis #2

Minimum Mounting Pad Sizes with pad starting at 15" from structure for minimum clearance of 12" to structure.

Chassis #1 20" W X 20" D
Chassis #2 24" W X 26" D



Accessory	Description	Used On
AMF153TKB	Expansion Valve Kit	1 1/2 - 3 Ton
AMF355TKB	Expansion Valve Kit	3 1/2 - 5 Ton
AMA001TDA	Indoor Blower Time Delay	All Models
AMB001CMA	Mesh Grille Guard (Pkg of 6) Trim to Fit	All Models
24370800 *	Compressor Anti-short cycle 24 Volt 3 Min. Time Delay	All Models
1070822*	Compressor Anti-short cycle 24 Volt 5 Min. Time Delay	All Models
1148671 *	Low Ambient Kit (Fan Cycling Switch)	All Models
1053477 *	Compressor Crankcase Heater Solid State "Stick On" Type	All Models
1148113 *	Compressor Crankcase Heater "Wrap-around" Type (6.5 to 8.5 inch Dia Compressors)**	**All Models
1061482 *	Compressor Crankcase Heater "Wrap-around" Type (4.2 to 6.7 inch Dia Compressors)**	**All Models
1060834 *	Compressor Sound Jacket (Large Scroll)	5 Ton

* Order from Service Parts

PERFORMANCE DATA COOLING

Outdoor Model	Indoor Model	Hard Start Kit	Cooling 95 F					CFM	Pin/TXV
			Btuh	SEER	S/T	EER	WATTS		
NAC018A(G)K**	EP*30F****+TXV153+EV(MV)12F19****	X	18400	11.50	.73	11.10	1658	600	TXV
NAC018A(G)K**	FCV24****	X	18200	11.50	.73	11.10	1640	600	TXV
NAC018A(G)K**	EX*24B****+MV08B15****	X	18200	11.50	.73	11.10	1640	600	TXV
NAC018A(G)K**	FCP24****		18000	10.00	.73	9.50	1895	600	.048
NAC018A(G)K**	FWM24****		17800	10.00	.73	9.40	1894	600	.049
NAC018A(G)K**	FWM18****		17200	10.30	.77	9.60	1792	600	.049
NAC018A(G)KA*	EE*36B****		18400	10.50	.73	9.90	1859	600	.048
NAC018A(G)KA*	EE*36F****		18400	10.50	.73	9.90	1859	600	.048
NAC018A(G)KA*	EMH30F****		18400	10.50	.73	9.90	1859	600	.048
NAC018A(G)KA*	EP*30B****		18400	10.50	.73	9.90	1859	600	.048
NAC018A(G)KA*	EP*30F****		18400	10.50	.73	9.90	1859	600	.048
NAC018A(G)KA*	EP*24B****+TD1		18000	10.30	.73	9.60	1875	600	.048
NAC018A(G)KA*	EMH24F****		18000	10.25	.73	9.60	1875	600	.048
NAC018A(G)KA*	EP*24B****		18000	10.25	.73	9.60	1875	600	.048
NAC018A(G)KA*	EAH5524**		18000	10.15	.74	9.50	1895	600	.048
NAC018A(G)KA*	EE*24B****		17300	10.00	.72	9.40	1840	600	.048
NAC018A(G)KA*	EP*18B****		17300	10.00	.72	9.40	1840	600	.048
NAC024A(G)K**	EP*36F****+TXV153+EV(MV)12F19****	X	24200	11.25	.75	10.50	2305	800	TXV
NAC024A(G)K**	EP*36J****+TXV153+EV(MV)16J22****	X	24200	11.25	.75	10.50	2305	800	TXV
NAC024A(G)K**	EX*24B****+MV08B15****	X	24000	11.25	.75	10.50	2286	800	TXV
NAC024A(G)K**	FCV24****	X	24000	11.25	.75	10.50	2286	800	TXV
NAC024A(G)K**	EP*30F****+TXV153+EV(MV)12F19****	X	23600	11.25	.75	10.30	2291	800	TXV
NAC024A(G)K**	FWM24****		23000	10.00	.76	9.10	2527	800	.060
NAC024A(G)K**	FCP24****		22800	10.00	.74	9.00	2533	800	.055
NAC024A(G)KA*	EMH36F****		24000	10.25	.75	9.50	2526	800	.055
NAC024A(G)KA*	EP*36B****		24000	10.25	.74	9.50	2526	800	.055
NAC024A(G)KA*	EP*36F****		24000	10.25	.74	9.50	2526	800	.055
NAC024A(G)KA*	EP*36J****		24000	10.25	.74	9.50	2526	800	.055
NAC024A(G)KA*	EP*30B****+TD1		23400	10.25	.74	9.30	2516	800	.055
NAC024A(G)KA*	EP*30F****+TD1		23400	10.25	.74	9.30	2516	800	.055
NAC024A(G)KA*	EE*36B****		23400	10.20	.74	9.50	2463	800	.055
NAC024A(G)KA*	EE*36F****		23400	10.20	.74	9.50	2463	800	.055
NAC024A(G)KA*	EMH30F****		23400	10.20	.74	9.30	2516	800	.055
NAC024A(G)KA*	EP*30B****		23400	10.20	.74	9.30	2516	800	.055
NAC024A(G)KA*	EP*30F****		23400	10.20	.74	9.30	2516	800	.055
NAC024A(G)KA*	EAH5524**		22800	10.00	.75	9.20	2478	800	.055
NAC024A(G)KA*	EE*30B****		22800	10.00	.74	9.10	2505	800	.055
NAC024A(G)KA*	EMH24F****		22800	10.00	.74	9.10	2505	800	.055
NAC024A(G)KA*	EP*24B****		22800	10.00	.74	9.10	2505	800	.055
NAC024A(G)KA*	EE*24B****+TD1		22800	10.00	.73	9.30	2452	800	.055
NAC024A(G)KA*	EPP024****+TD1		22800	10.00	.75	9.10	2505	800	.055
NAC030A(G)K**	EP*36F****+TXV153+EV(MV)12F19****	X	29000	11.25	.76	10.20	2843	1000	TXV
NAC030A(G)K**	EP*36J****+TXV153+EV(MV)16J22****	X	29000	11.25	.76	10.20	2843	1000	TXV
NAC030A(G)K**	EP*30F****+TXV153+EV(MV)12F19****	X	29000	11.00	.76	10.00	2900	1000	TXV
NAC030A(G)K**	FWM30****		28400	10.00	.76	9.20	3087	1000	.066
NAC030A(G)KA*	EP*36B****+TD1		28800	10.25	.75	9.20	3130	1000	.063
NAC030A(G)KA*	EP*36F****+TD1		28800	10.25	.75	9.20	3130	1000	.063
NAC030A(G)KA*	EP*36J****+TD1		28800	10.25	.75	9.20	3130	1000	.063
NAC030A(G)KA*	EMH36F****		28800	10.20	.75	9.20	3130	1000	.063
NAC030A(G)KA*	EP*36B****		28800	10.20	.75	9.20	3130	1000	.063
NAC030A(G)KA*	EP*36F****		28800	10.20	.75	9.20	3130	1000	.063
NAC030A(G)KA*	EP*36J****		28800	10.20	.75	9.20	3130	1000	.063
NAC030A(G)KA*	EAH5536**		28800	10.00	.75	9.30	3097	1000	.063

Many matches require a pin change. Always check pin size to insure maximum performance. PIN=Refrigerant orifice PIN size. TD1=AMA001 TDA Indoor Blower Time Delay Kit, required to make SEER indicated. All products using an electronic fan control satisfy TD1 requirements. TXV=Thermostatic Expansion Valve, TXV153 (AMF153) replaces HTXV1,2 or 3 where listed in ratings, TXV335 (AMF355) Replaces HTXV4 or 5 where listed in ratings. EP* = EPA, EPD, EPM series of coils. EX* = EXA, EXD, EXM series of coils. EE* = EEA OR EED series of coils.

PERFORMANCE DATA COOLING

Outdoor Model	Indoor Model	Hard Start Kit	Cooling 95 F					CFM	Pin/TXV
			Btuh	SEER	S/T	EER	WATTS		
NAC030A(G)KA*	EMH30F****		28000	10.00	.76	9.20	3043	1000	.063
NAC030A(G)KA*	EP*30B****		28000	10.00	.75	9.20	3043	1000	.063
NAC030A(G)KA*	EP*30F****		28000	10.00	.75	9.20	3043	1000	.063
NAC030A(G)KA*	FCP30****		28000	10.00	.75	9.00	3111	1000	.063
NAC030A(G)KA*	EE*36B****		28000	10.00	.75	9.30	3011	1000	.063
NAC030A(G)KA*	EE*30B****+TD1		27800	10.00	.75	9.20	3022	1000	.063
NAC030A(G)KA*	EPP030****+TD1		27800	10.00	.74	9.00	3089	1000	.063
NAC036A(G)K**	EP*48F****+TXV153+EV(MV)12F19****	X	35600	11.40	.76	10.40	3423	1200	TXV
NAC036A(G)K**	EP*48N****+TXV153+EV(MV)20N26****	X	35600	11.40	.76	10.40	3423	1200	TXV
NAC036A(G)K**	EP*48J****+TXV153+EV(MV)16J22****	X	35600	11.40	.76	10.40	3423	1200	TXV
NAC036A(G)K**	EP*36F****+TXV153+EV(MV)12F19****	X	33800	11.05	.79	10.10	3347	1200	TXV
NAC036A(G)K**	EP*36J****+TXV153+EV(MV)16J22****	X	33800	11.05	.79	10.10	3347	1200	TXV
NAC036A(G)K**	EP*30F****+TXV153+EV(MV)12F19****	X	33200	11.00	.73	10.30	3223	1200	TXV
NAC036A(G)K**	EE*36F****+TXV153+EV(MV)12F19****	X	33200	11.00	.74	10.30	3223	1200	TXV
NAC036A(G)KA*	EMH48F****		35400	10.40	.76	9.40	3766	1200	.067
NAC036A(G)KA*	EP*48F****		35400	10.40	.75	9.40	3766	1200	.067
NAC036A(G)KA*	EP*48J****		35400	10.40	.75	9.40	3766	1200	.067
NAC036A(G)KA*	EP*48L****		35400	10.40	.75	9.40	3766	1200	.067
NAC036A(G)KA*	EP*48N****		35400	10.40	.75	9.40	3766	1200	.067
NAC036A(G)KA*	EP*42F****+TXV153+EV(MV)12F19****	X	34600	11.20	.72	10.30	3359	1200	TXV
NAC036A(G)KA*	EP*42J****+TXV153+EV(MV)16J22****	X	34600	11.20	.72	10.30	3359	1200	TXV
NAC036A(G)KA*	EP*42F****+TD1		34400	10.20	.71	9.30	3699	1200	.067
NAC036A(G)KA*	EP*42J****+TD1		34400	10.20	.71	9.30	3699	1200	.067
NAC036A(G)KA*	EMH42F****		34400	10.15	.72	9.30	3699	1200	.067
NAC036A(G)KA*	EP*42F****		34400	10.15	.71	9.30	3699	1200	.067
NAC036A(G)KA*	EP*42J****		34400	10.15	.71	9.30	3699	1200	.067
NAC036A(G)KA*	EMH36F****		33600	10.00	.79	9.10	3692	1200	.067
NAC036A(G)KA*	EP*36B****		33600	10.00	.78	9.10	3692	1200	.067
NAC036A(G)KA*	EP*36F****		33600	10.00	.78	9.10	3692	1200	.067
NAC036A(G)KA*	EP*36J****		33600	10.00	.78	9.10	3692	1200	.067
NAC036A(G)KA*	FCP36****		33600	10.00	.78	9.00	3733	1200	.067
NAC036A(G)KA*	EE*36B****+TD1		33000	10.00	.74	9.30	3548	1200	.067
NAC036A(G)KA*	EE*36F****+TD1		33000	10.00	.74	9.30	3548	1200	.067
NAC036A(G)KA*	EPP036****+TD1		33000	10.00	.76	9.00	3667	1200	.067
NAC036A(G)KA*	EAH5536**+TD1		32600	10.00	.73	9.00	3622	1200	.067
NAC042A(G)K**	EP*48J****+TXV355+EV(MV)16J22****	X	40500	11.35	.77	10.30	3932	1300	TXV
NAC042A(G)K**	EP*48N****+TXV355+EV(MV)16J22****	X	40500	11.35	.77	10.30	3932	1300	TXV
NAC042A(G)K**	EP*42J****+TXV355+EV(MV)16J22****	X	40000	11.05	.75	10.30	3883	1225	TXV
NAC042A(G)K**	EP*36J****+TXV355+EV(MV)16J22****	X	37800	11.00	.74	10.20	3706	1225	TXV
NAC042A(G)KA*	EX*42J****	X	40500	10.40	.76	9.50	4263	1400	TXV
NAC042A(G)KA*	EX*42J****+TD1	X	40500	10.40	.76	9.50	4263	1400	TXV
NAC042A(G)KA*	EMH48F****		40500	10.30	.76	9.40	4309	1400	.079
NAC042A(G)KA*	EP*48J****		40500	10.30	.76	9.40	4309	1400	.079
NAC042A(G)KA*	EP*48F****		40500	10.30	.76	9.40	4309	1400	.079
NAC042A(G)KA*	EP*48J****+TD1		40000	10.35	.76	9.30	4301	1300	.079
NAC042A(G)KA*	EP*48L****+TD1		40000	10.35	.76	9.30	4301	1300	.079
NAC042A(G)KA*	EP*48N****+TD1		40000	10.35	.76	9.30	4301	1300	.079
NAC042A(G)KA*	EP*48F****+TD1		40000	10.35	.76	9.30	4301	1300	.079
NAC042A(G)KA*	EP*48L****		40000	10.30	.76	9.30	4301	1300	.079
NAC042A(G)KA*	EP*48N****		40000	10.30	.76	9.30	4301	1300	.079
NAC042A(G)KA*	EAH5548****		39500	10.00	.78	9.20	4293	1400	.079
NAC042A(G)KA*	EMH42F****		39500	10.00	.74	9.30	4247	1225	.078
NAC042A(G)KA*	EP*42F****		39500	10.00	.74	9.30	4247	1225	.078

Many matches require a pin change. Always check pin size to insure maximum performance. PIN=Refrigerant orifice PIN size. TD1=AMA001TDA Indoor Blower Time Delay Kit, required to make SEER indicated. All products using an electronic fan control satisfy TD1 requirements. TXV=Thermostatic Expansion Valve, TXV153 (AMF153) replaces HTXV1,2 or 3 where listed in ratings, TXV335 (AMF335) Replaces HTXV4 or 5 where listed in ratings. EP* = EPA, EPD, EPM series of coils. EX* = EXA, EXD, EXM series of coils. EE* = EEA OR EED series of coils.

PERFORMANCE DATA COOLING

Outdoor Model	Indoor Model	Hard Start Kit	Cooling 95 F					CFM	Pin/TXV
			Btuh	SEER	S/T	EER	WATTS		
NAC042A(G)KA*	EP*42J****		39500	10.00	.74	9.30	4247	1225	.078
NAC042A(G)KA*	FCP42****		39500	10.00	.74	9.10	4341	1400	.078
NAC042A(G)KA*	EE*42F****+TD1		37600	10.00	.74	9.20	4087	1225	.078
NAC042A(G)KA*	EP*36B****+TD1		37600	10.00	.74	9.20	4087	1225	.078
NAC042A(G)KA*	EP*36F****+TD1		37600	10.00	.74	9.20	4087	1225	.078
NAC042A(G)KA*	EP*36J****+TD1		37600	10.00	.74	9.20	4087	1225	.078
NAC048A(G)K**	EP*60J****+TXV355+EV(MV)16J22****	X	46000	11.50	.77	10.40	4423	1600	TXV
NAC048A(G)K**	EP*60N****+TXV355+EV(MV)20J26****	X	46000	11.50	.77	10.40	4423	1600	TXV
NAC048A(G)KA*	EP*60J****+TD1		45500	10.50	.76	9.40	4840	1600	.079
NAC048A(G)KA*	EP*60L****+TD1		45500	10.50	.76	9.40	4840	1600	.079
NAC048A(G)KA*	EP*60N****+TD1		45500	10.50	.76	9.40	4840	1600	.079
NAC048A(G)KA*	EP*60L****		45500	10.50	.76	9.40	4840	1600	.079
NAC048A(G)KA*	EP*60N****		45500	10.50	.76	9.40	4840	1600	.079
NAC048A(G)KA*	FCX48****	X	45500	10.50	.77	9.40	4840	1600	TXV
NAC048A(G)KA*	EP*60J****		45500	10.40	.76	9.40	4840	1600	.079
NAC048A(G)KA*	EP*48J****		45000	10.50	.76	9.40	4787	1600	.079
NAC048A(G)KA*	FCP48****		45000	10.00	.79	9.20	4891	1600	.079
NAC048A(G)KA*	EMH48F****		45000	10.00	.73	9.30	4839	1500	.079
NAC048A(G)KA*	EP*48F****		45000	10.00	.73	9.30	4839	1500	.079
NAC048A(G)KA*	EP*48L****		44500	10.50	.76	9.40	4734	1600	.079
NAC048A(G)KA*	EP*48N****		44500	10.50	.76	9.40	4734	1600	.079
NAC048A(G)KA*	EAH5560**		44000	10.00	.78	9.30	4731	1600	.079
NAC048A(G)KA*	EE*48F****+TD1		42000	10.00	.72	9.20	4565	1400	.079
NAC060A(G)K**	EP*60J****+TXV355+EV(MV)16J22****		57000	10.40	.76	9.40	6064	1800	TXV
NAC060A(G)K**	EP*60N****+TXV355+EV(MV)20J26****		57000	10.40	.76	9.40	6064	1800	TXV
NAC060A(G)K**	EE*60J****+TXV355+EV(MV)16J22****		53000	10.20	.71	9.50	5579	1800	TXV
NAC060A(G)K**	EP*48N****+TXV355+EV(MV)20N26****		53000	10.20	.72	9.50	5579	1800	TXV
NAC060A(G)KA*	EP*60J****+TD1		57000	10.20	.75	9.20	6196	2000	.090
NAC060A(G)KA*	EP*60L****+TD1		57000	10.20	.75	9.20	6196	2000	.090
NAC060A(G)KA*	EP*60N****+TD1		57000	10.20	.75	9.20	6196	2000	.090
NAC060A(G)KA*	EP*60L****		57000	10.15	.75	9.20	6196	2000	.090
NAC060A(G)KA*	EP*60N****		57000	10.15	.75	9.20	6196	2000	.090
NAC060A(G)KA*	FCP60****		57000	10.00	.75	9.00	6333	1800	.090
NAC060A(G)KA*	EP*60J****		56500	10.00	.75	9.00	6278	1600	.090
NAC060A(G)KA*	EAH5560**+TD1		56000	10.00	.71	9.00	6222	1800	.090
NAC060A(G)KA*	EE*60J****+TD1		53000	10.00	.69	9.30	5699	1400	.090

Many matches require a pin change. Always check pin size to insure maximum performance. PIN=Refrigerant orifice PIN size. TD1=AMA001 TDA Indoor Blower Time Delay Kit, required to make SEER indicated. All products using an electronic fan control satisfy TD1 requirements. TXV=Thermostatic Expansion Valve, TXV153 (AMF153) replaces HTXV1,2 or 3 where listed in ratings, TXV335 (AMF355) Replaces HTXV4 or 5 where listed in ratings. EP* = EPA, EPD, EPM series of coils. EX* = EXA, EXD, EXM series of coils. EE* = EEA OR EED series of coils.

MODEL NUMBER IDENTIFICATION GUIDE

MODEL NUMBER PRODUCT FAMILY N = Brand	N	AC	0	24	A	K	A	SALES CODE ELECTRICAL K = 208/230-1-60 H = 208/230-3-60
PRODUCT TYPE AC = Air Conditioning CA = Condenser A/C HP = Heat Pump CH = Condenser H/P								CONNECTIONS A = Sweat / Valve G = Sweat / Valve w/Coil Guard M = Mesh
NOMINAL SEER RATING 0 = 10 2 = 12 4 = 14								NOMINAL CAPACITY MBTUH 18 = 18,000 24 = 24,000 30 = 30,000 36 = 36,000 42 = 42,000 48 = 48,000 60 = 60,000

EXTENDED REFRIGERANT LINE CORRECTION FACTORS

Varying Line Length in Feet (m) vs. Total Capacity Multiplier					
25 (8)	50 (15)	75 (23)	100 (30)	125 (38)	150 (46)
1.00	.99	.98	.96	.94	.92

REFRIGERANT CHARGE DATA

All models are factory charged with R-22 for outdoor unit, 15' (8m) of refrigerant line and matching indoor section.
Refrigerant charge correction per foot (305mm) of line:
1/4" O.D. = .25 oz.; 5/16" O.D. = .45 oz.; 3/8" O.D. = .60 oz.;
1/2" O.D. = 1.2 oz.

VOLTAGE CORRECTION FACTORS

Volts	Capacity	Watts
208	.98	.99

INDOOR AIRFLOW CORRECTION TABLE

% Rated Air	90	95	100	105	110
Total Cap. Mult.	.98	.99	1.00	1.01	1.03
Sens Cap. Mult.	.95	.98	1.00	1.03	1.05

INDOOR TEMPERATURE CORRECTION TABLE

(Based on 95°F Ambient)

Indoor D.B. °F (°C)	Correction Factor	Entering Indoor Wet Bulb °F (°C)						
		59 (15)	61 (16)	63 (17)	65 (18)	67 (19)	69 (20)	71 (21)
70 (21)	Total Cap. Mult.	.90	.93	.96	.99	1.02	-	-
	Sens Cap. Mult.	.86	.85	.82	.77	.70	-	-
75 (24)	Total Cap. Mult.	.89	.92	.95	.98	1.01	1.04	-
	Sens Cap. Mult.	1.04	1.03	1.00	.95	.88	.78	-
80 (26)	Total Cap. Mult.	.88	.91	.94	.97	1.00	1.03	1.06
	Sens Cap. Mult.	1.18	1.17	1.14	1.08	1.00	.89	.73
85 (29)	Total Cap. Mult.	-	.90	.93	.96	.99	1.02	1.05
	Sens Cap. Mult.	-	1.29	1.26	1.20	1.11	.98	.81

Bold Type = approximately 50% Relative Humidity