

TECHNICAL SUPPORT MANUAL

Split System Air Conditioner

NXA6

Safety Labeling and Signal Words

DANGER, WARNING, CAUTION, and NOTE

The signal words **DANGER**, **WARNING**, **CAUTION**, and **NOTE** are used to identify levels of hazard seriousness. The signal word **DANGER** is only used on product labels to signify an immediate hazard. The signal words **WARNING**, **CAUTION**, and **NOTE** will be used on product labels and throughout this manual and other manuals that may apply to the product.

DANGER - Immediate hazards which **will** result in severe personal injury or death.

WARNING - Hazards or unsafe practices which **could** result in severe personal injury or death.

CAUTION - Hazards or unsafe practices which **may** result in minor personal injury or product or property damage.

NOTE - Used to highlight suggestions which **will** result in enhanced installation, reliability, or operation.

Signal Words in Manuals

The signal word **WARNING** is used throughout this manual in the following manner:



The signal word **CAUTION** is used throughout this manual in the following manner:



Signal Words on Product Labeling

Signal words are used in combination with colors and/or pictures on product labels.

TABLE OF CONTENTS

Model Number Identification	2
R-410A Reference Guide	3
Wiring Diagram	4-5
Charging Chart	6
Tech Labels (Expanded Data)	7-11
Condenser Only Data	12-14
Exploded Drawings	15-17
NXA6 Parts List	18-20
Cooling Multiplying Factors	21-96

MODELS

- NXA618GKA100
- NXA624GKA100
- NXA630GKA100
- NXA636GKA100
- NXA642GKA100
- NXA648GKA100
- NXA649GKA100
- NXA660GKA100
- NXA661GKA100

WARNING

DEATH, PERSONAL INJURY, AND/OR PROPERTY DAMAGE HAZARD

Failure to carefully read and follow this warning could result in equipment malfunction, property damage, personal injury and/or death.

Installation or repairs made by unqualified persons could result in equipment malfunction, property damage, personal injury and/or death.

The information contained in this manual is intended for use by a qualified service technician familiar with safety procedures and equipped with the proper tools and test instruments.

Installation must conform with local building codes and with the National Electrical Code NFPA70 current edition or Canadian Electrical Code Part 1 CSA C.22.1.

OUTDOOR UNIT MODEL NUMBER IDENTIFICATION GUIDE (single phase)											
Digit Position:	1	2	3	4	5, 6	7	8	9	10	11	12
Example Part Number:	N	X	A	6	18	G	K	A	1	0	0
Product Family			REFRIGERANT			TYPE			NOMINAL EFFICIENCY		
X = R-410A			A = Air Conditioner H = Heat Pump			3 = 13 SEER 4 = 14 SEER 5 = 15 SEER 6 = 16 SEER 7 = 17 SEER 8 = 18 SEER			18 = 18,000 BTUH = 1-1/2 tons 24 = 24,000 BTUH = 2 tons 30 = 30,000 BTUH = 2-1/2 tons 36 = 36,000 BTUH = 3 tons 42 = 42,000 BTUH = 3-1/2 tons 48 = 48,000 BTUH = 4 tons 49 = 49,000 BTUH = 4 tons 60 = 60,000 BTUH = 5 tons 61 = 60,000 BTUH = 5 tons		
A = Standard Grille G = Coil Guard Grille C = Coastal			FEATURES			K = 208/230-1-60			VOLTAGE		
Sales Code			Engineering Revision			Extra Digit			Extra Digit		

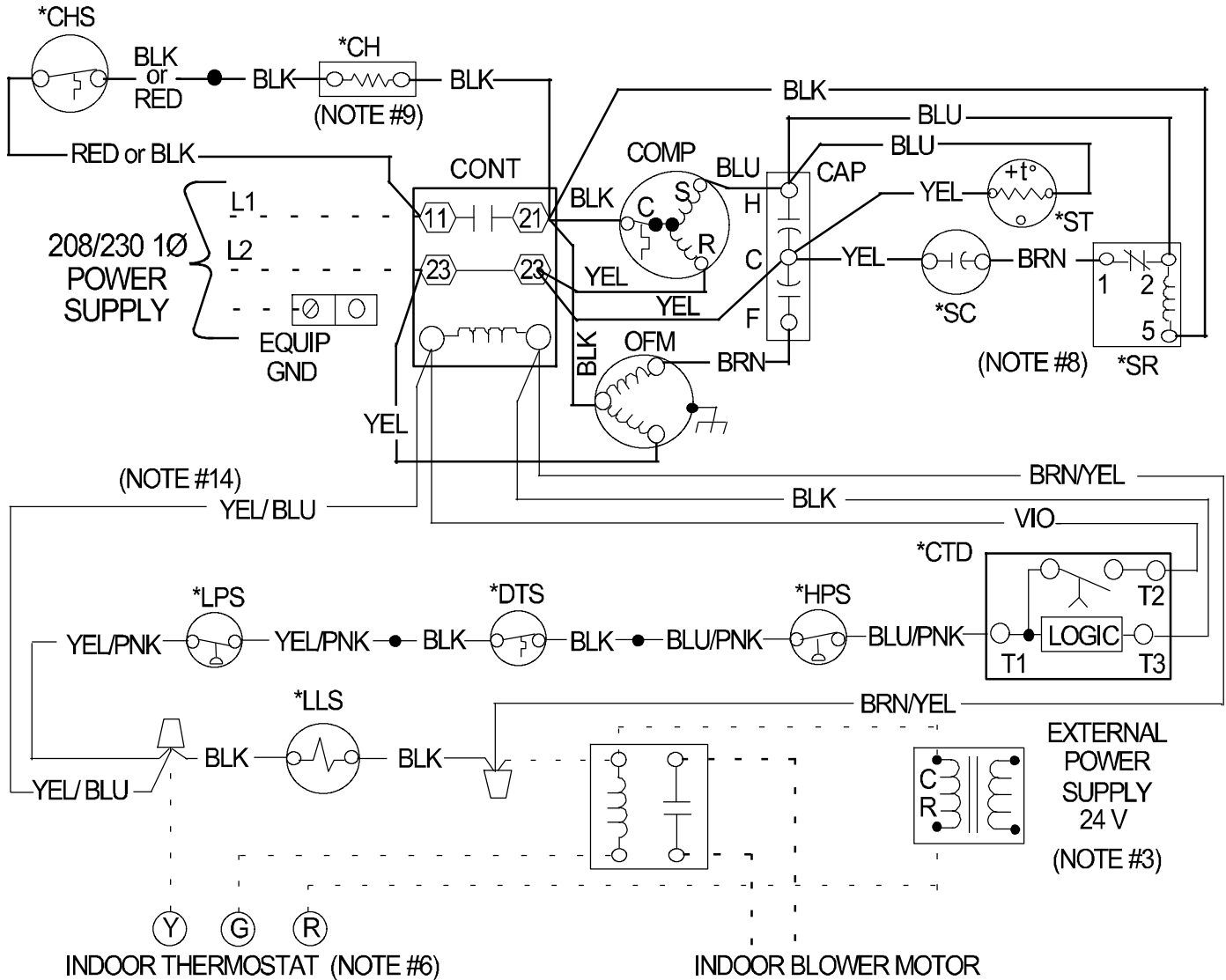
ACCESSORIES PART NUMBER IDENTIFICATION GUIDE									
Digit Position:	1	2	3	4	5	6, 7	8, 9	10, 11	
Example Part Number:	N	A	S	A	0	01	01	CH	
N = Non-Branded		BRANDING		A = Accessory		PRODUCT GROUP		S = Split System (AC & HP)	KIT USAGE
A = Original B = 2nd Generation		0 = Generic or Not Applicable		2 = R-22 4 = R-410A		MAJOR SERIES		REFRIGERANT	
Product Identifier Number		Package Quantity		Type of Kit (Example: CH = Crankcase Heater)					

R-410A QUICK REFERENCE GUIDE

- R-410A refrigerant operates at 50% – 70% higher pressures than R-22. Be sure that servicing equipment and replacement components are designed to operate with R-410A.
- R-410A refrigerant cylinders are rose colored.
- Recovery cylinder service pressure rating must be 400 psig, DOT 4BA400 or DOT BW400.
- R-410A systems should be charged with liquid refrigerant. Use a commercial type metering device in the manifold hose when charging into suction line with compressor operating.
- Manifold sets should be 750 psig high-side and 200 psig low-side with 520 psig low-side retard.
- Use hoses with 750 psig service pressure rating.
- Leak detectors should be designed to detect HFC refrigerant.
- R-410A, as with other HFC refrigerants, is only compatible with POE oils.
- Vacuum pumps will not remove moisture from oil.
- Do not use liquid line filter-driers with rated working pressures less than 600 psig.
- Do not install a suction line filter-drier in liquid line.
- POE oils absorb moisture rapidly. Do not expose oil to atmosphere.
- POE oils may cause damage to certain plastics and roofing materials.
- Wrap all filter-driers and service valves with wet cloth when brazing.
- A liquid line filter-drier is required on every unit.
- Do not use with an R-22 TXV.
- If indoor unit is equipped with an R-22 TXV, it must be changed to an R-410A TXV.
- Never open system to atmosphere while it is under a vacuum.
- When system must be opened for service, break vacuum with dry nitrogen and replace all filter-driers. Evacuate to 500 microns before recharging.
- Do not vent R-410A into the atmosphere.
- Do not use capillary tube indoor coils.
- Observe all **WARNINGS**, **CAUTIONS**, **NOTES**, and **bold** text.

Model Sizes: 18, 24, 30, 36, 42, 48, 49, 60, 61

CONNECTION DIAGRAM

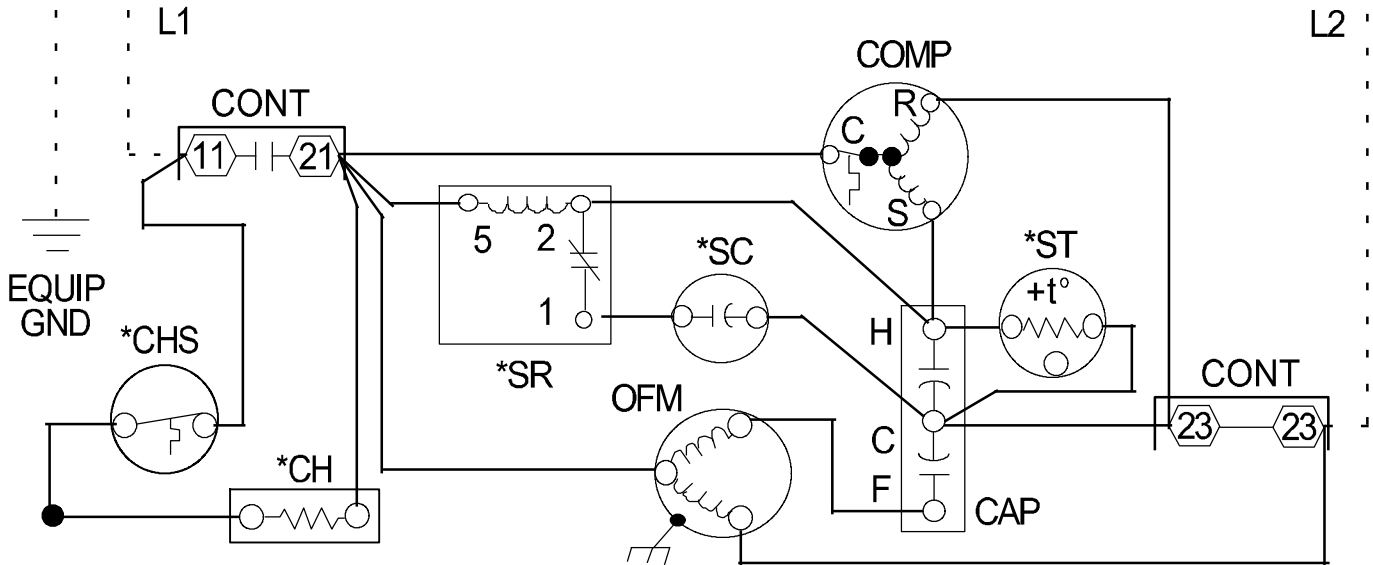


330440-101_F

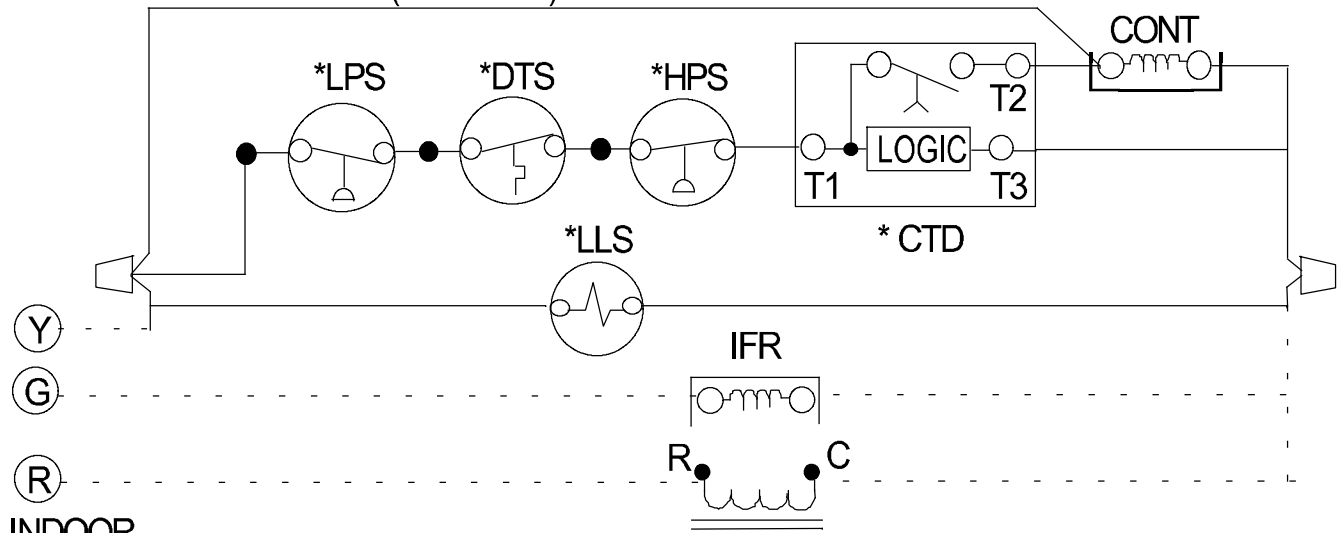
1. Symbols are electrical representation only.
2. Compressor and fan motor furnished with inherent thermal protection.
3. To be wired in accordance with National Electric N.E.C. and local codes.
4. N.E.C. class 2, 24 V circuit, min. 40 VA required, 60 VA on units installed with LLS.
5. Use copper conductors only. Use conductors suitable for at least 75° C (167° F).
6. Connection for typical cooling only thermostat. For other arrangements see installation instructions.
7. If indoor section has a transformer with a grounded secondary, connect the grounded side to the BRN/YEL lead.
8. When start capacitor and relay are installed, start thermistor is not used.
9. CH not used on all units.
10. If any of the original wire, as supplied, must be replaced, use the same or equivalent wire.
11. Check all electrical connections inside control box for tightness.
12. Do not attempt to operate unit until service valves have been opened.
13. Do not rapid cycle compressor. Compressor must be off 3 minutes to allow pressures to equalize between high and low side before starting.
14. Wire not present if HPS, LPS or CTD are used.
15. Not for interrupting current.

Model Sizes: 18, 24, 30, 36, 42, 48, 49, 60, 61

SCHEMATIC DIAGRAM (LADDER FORM)



(NOTE #14)



INDOOR THERMOSTAT

EXTERNAL POWER SUPPLY 24 V

330440-101_F

-LEGEND-

- FACTORY POWER WIRING
- FACTORY CONTROL WIRING
- - - FIELD CONTROL WIRING
- - - FIELD POWER WIRING
- CONDUCTOR ON CIRCUIT BOARD
- COMPONENT CONNECTION
- ⊕ FIELD SPLICE
- JUNCTION
- ⊏ PLUG RECEPTACLE
- CA COMFORT ALERT
- CAP CAPACITOR (DUAL RUN)
- CB CIRCUIT BOARD
- *CH CRANKCASE HEATER
- *CHS CRANKCASE HEATER SWITCH

- COMP COMPRESSOR
- CONT CONTACTOR
- DFT DEFROST THERMOSTAT
- DR DEFROST RELAY AND CIRCUITRY
- *DTS DISCHARGE TEMP SWITCH
- FSC FAN SPEED CONTROL
- *HPS HIGH PRESSURE SWITCH
- *LLS LIQ LINE SOLENOID VALVE
- *LPS LOW PRESSURE SWITCH
- OFM OUTDOOR FAN MOTOR
- PL1 COMPRESSOR PLUG
- PL2 OUTDOOR FAN PLUG
- RECEPTACLE
- RVS REVERSING VALVE SOLENOID
- *SC START CAPICATOR
- *SR START RELAY
- *ST START THERMISTOR

* MAY BE FACTORY INSTALLED

R-410A CHARGING CHART												
Measured Liquid Pressure (psig)	Rating Plate (required) Subcooling Temperature °F (°C)											
	°F 6	(°C) 3	°F 8	(°C) 4	°F 10	(°C) 6	°F 12	(°C) 7	F 14	(°C) 8	F 16	(°C) 9
	R-410A Required Liquid Line Temperature °F (°C)											
251	78	26	76	24	74	23	72	22	70	21	68	20
259	80	27	78	26	76	24	74	23	72	22	70	21
266	82	28	80	27	78	26	76	24	74	23	72	22
274	84	29	82	28	80	27	78	26	76	24	74	23
283	86	30	84	29	82	28	80	27	78	26	76	24
291	88	31	86	30	84	29	82	28	80	27	78	26
299	90	32	88	31	86	30	84	29	82	28	80	27
308	92	33	90	32	88	31	86	30	84	29	82	28
317	94	34	92	33	90	32	88	31	86	30	84	29
326	96	36	94	34	92	33	90	32	88	31	86	30
335	98	37	96	36	94	34	92	33	90	32	88	31
345	100	38	98	37	96	36	94	34	92	33	90	32
364	104	40	102	39	100	38	98	37	96	36	94	34
374	106	41	104	40	102	39	100	38	98	37	96	36
384	108	42	106	41	104	40	102	39	100	38	98	37
395	110	43	108	42	106	41	104	40	102	39	100	38
406	112	44	110	43	108	42	106	41	104	40	102	39
416	114	46	112	44	110	43	108	42	106	41	104	40
427	116	47	114	46	112	44	110	43	108	42	106	41
439	118	48	116	47	114	46	112	44	110	43	108	42
450	120	49	118	48	116	47	114	46	112	44	110	43
462	122	50	120	49	118	48	116	47	114	46	112	44
474	124	51	122	50	120	49	118	48	116	47	114	46

COOLING		18 Size Outdoor With EN(A,D)4X19*17** Indoor Cooling																											
		Outdoor Ambient Temperature - Degrees F, Dry Bulb																											
		75						85						95						105						115			
CFM	57	62	63††	67	72	72	57	62	63††	67	72	72	57	62	63††	67	72	72	57	62	63††	67	72	72	57	62	63††	67	72
MBH†	17.23	17.82	18.16	19.54	21.41	16.58	16.99	17.30	18.66	20.48	15.88	16.12	16.40	17.69	19.46	15.13	15.20	15.43	16.65	18.33	14.32	14.34	14.40	15.56	17.15				
S/††	1.00	0.84	0.67	0.65	0.48	1.00	0.86	0.68	0.66	0.49	1.00	0.88	0.70	0.67	0.50	1.00	0.91	0.72	0.69	0.51	1.00	1.00	0.74	0.72	0.52				
AMPS*	5.08	5.08	5.08	5.09	5.10	5.70	5.70	5.70	5.72	5.75	6.37	6.37	6.38	6.40	6.44	7.12	7.12	7.13	7.16	7.21	7.97	7.97	7.98	8.01	8.06				
HIPR	266	267	267	269	273	308	309	310	312	316	355	356	357	359	363	407	407	408	411	415	464	464	465	468	472				
LO PR	129	133	135	145	159	132	135	137	147	161	135	137	139	149	164	139	140	141	152	166	143	144	144	154	169				
MBH†	18.02	18.26	18.54	19.92	21.81	17.31	17.41	17.65	19.01	20.83	16.56	16.59	16.70	18.00	19.78	15.75	15.78	15.70	16.93	18.61	14.88	14.91	14.63	15.79	17.38				
S/††	1.00	0.88	0.70	0.68	0.50	1.00	0.90	0.72	0.69	0.51	1.00	1.00	0.73	0.71	0.51	1.00	1.00	0.76	0.73	0.53	1.00	1.00	0.78	0.76	0.54				
AMPS*	5.20	5.20	5.20	5.20	5.22	5.82	5.82	5.82	5.84	5.88	6.49	6.49	6.50	6.52	6.57	7.25	7.25	7.25	7.28	7.34	8.10	8.10	8.10	8.13	8.19				
HIPR	267	267	268	270	274	310	310	310	313	317	357	357	357	360	364	409	409	409	412	416	466	466	466	469	473				
LO PR	135	137	138	149	163	138	139	140	151	165	142	142	142	153	167	145	146	144	155	169	149	150	147	158	172				
MBH†	18.66	18.68	18.83	20.20	22.09	17.92	17.95	17.92	19.26	21.08	17.12	17.15	16.94	18.23	20.01	16.26	16.29	15.90	17.12	18.80	15.34	15.36	14.81	15.96	17.53				
S/††	1.00	1.00	0.73	0.71	0.52	1.00	1.00	0.75	0.73	0.52	1.00	1.00	0.77	0.75	0.53	1.00	1.00	0.79	0.77	0.55	1.00	1.00	0.82	0.80	0.56				
AMPS*	5.31	5.31	5.31	5.32	5.34	5.94	5.94	5.94	5.96	6.00	6.62	6.62	6.62	6.64	6.70	7.38	7.38	7.37	7.41	7.46	8.23	8.23	8.23	8.25	8.32				
HIPR	268	268	268	271	274	311	311	311	314	318	358	359	358	361	365	411	411	410	413	417	468	468	468	469	474				
LO PR	141	141	141	152	166	144	144	143	154	168	147	147	145	156	170	151	151	147	158	172	155	155	149	160	174				

COOLING		24 Size Outdoor With EN(A,D)4X31*17** Indoor Cooling																											
		Outdoor Ambient Temperature - Degrees F, Dry Bulb																											
		75						85						95						105						115			
CFM	57	62	63††	67	72	72	57	62	63††	67	72	72	57	62	63††	67	72	72	57	62	63††	67	72	72	57	62	63††	67	72
MBH†	22.68	23.32	23.72	25.63	28.21	21.84	22.25	22.62	24.44	26.92	20.93	21.14	21.46	23.19	25.54	19.96	20.00	20.22	21.87	24.09	18.92	18.96	18.92	20.47	22.56				
S/††	1.00	0.85	0.68	0.65	0.48	1.00	0.87	0.69	0.67	0.49	1.00	0.89	0.71	0.68	0.50	1.00	1.00	0.73	0.70	0.51	1.00	1.00	0.75	0.72	0.52				
AMPS*	6.73	6.73	6.73	6.72	6.72	7.51	7.51	7.52	7.52	7.55	8.35	8.36	8.36	8.38	8.43	9.29	9.30	9.30	9.33	9.39	10.37	10.37	10.37	10.40	10.46				
HIPR	258	259	259	261	263	301	301	302	303	306	347	348	348	350	353	398	398	399	401	404	455	455	455	457	461				
LO PR	131	134	136	146	161	134	136	138	149	163	137	138	140	151	165	141	141	142	153	167	145	145	144	155	170				
MBH†	23.70	23.91	24.23	26.16	28.72	22.79	22.85	23.08	24.91	27.38	21.82	21.85	21.86	23.60	25.95	20.78	20.81	20.58	22.22	24.44	19.66	19.69	19.21	20.76	22.85				
S/††	1.00	0.89	0.71	0.69	0.50	1.00	1.00	0.72	0.70	0.51	1.00	1.00	0.74	0.72	0.52	1.00	1.00	0.76	0.74	0.53	1.00	1.00	0.79	0.77	0.54				
AMPS*	6.89	6.88	6.89	6.88	6.88	7.67	7.67	7.68	7.69	7.72	8.52	8.53	8.53	8.55	8.60	9.47	9.47	9.47	9.50	9.56	10.54	10.54	10.54	10.57	10.63				
HIPR	259	260	260	261	263	302	302	302	304	306	348	349	349	351	353	400	400	400	402	405	456	456	456	458	461				
LO PR	137	138	139	150	164	140	140	141	152	166	143	144	143	154	168	147	147	145	156	171	151	151	148	159	173				
MBH†	24.56	24.60	24.61	26.54	29.08	23.59	23.62	23.42	25.25	27.72	22.55	22.58	22.16	23.90	26.23	21.45	21.48	20.84	22.48	24.68	20.27	20.29	19.45	20.98	23.05				
S/††	1.00	1.00	0.74	0.72	0.52	1.00	1.00	0.76	0.74	0.53	1.00	1.00	0.78	0.76	0.54	1.00	1.00	0.80	0.78	0.55	1.00	1.00	0.83	0.81	0.57				
AMPS*	7.04	7.04	7.04	7.04	7.05	7.84	7.84	7.84	7.85	7.88	8.70	8.70	8.69	8.72	8.77	9.65	9.65	9.64	9.67	9.73	10.72	10.72	10.71	10.74	10.80				
HIPR	260	260	260	262	264	303	303	303	304	307	349	350	349	351	354	401	401	400	402	405	457	458	458	459	462				
LO PR	142	143	142	153	167	146	146	144	155	169	149	149	146	157	171	152	153	148	159	173	156	157	150	161	175				

See Notes following tables.

COOLING		30 Size Outdoor With EN(A,D)4X31*17** Indoor Cooling																							
		Outdoor Ambient Temperature - Degrees F, Dry Bulb								95															
		85				105				95				105											
CFM	57	62	63††	67	72	72	57	62	63††	67	72	72	57	62	63††	67	72	57	62	63††	67	72			
	27.76	28.31	28.76	30.99	34.09	26.76	27.08	27.47	29.61	32.58	25.69	25.80	26.11	28.16	31.00	23.25	23.28	23.07	24.94	27.51					
MBH†	1.00	0.86	0.69	0.66	0.49	1.00	0.88	0.70	0.68	0.50	1.00	0.90	0.72	0.69	0.50	1.00	1.00	0.73	0.71	0.51	1.00	1.00	0.76	0.53	
S/T†	8.35	8.35	8.35	8.33	8.29	9.20	9.20	9.20	9.19	9.16	10.17	10.17	10.18	10.16	10.14	11.29	11.29	11.29	11.29	11.27	12.57	12.57	12.57	12.56	
AMPS*	2.63	2.64	2.64	2.66	2.68	3.06	3.07	3.07	3.09	3.12	3.54	3.54	3.54	3.57	3.60	4.06	4.06	4.06	4.09	4.13	4.62	4.63	4.62	4.69	
HIPR	132	135	136	147	161	135	137	138	149	163	138	139	140	151	165	142	142	142	142	153	167	146	146	145	169
LO PR	28.93	29.03	29.30	31.55	34.67	27.84	27.89	27.95	30.10	33.09	26.70	26.74	26.55	28.60	31.45	25.46	25.50	25.04	27.00	29.71	24.11	24.14	23.40	25.27	27.83
MBH†	1.00	0.99	0.72	0.70	0.51	1.00	1.00	0.73	0.71	0.51	1.00	1.00	0.75	0.73	0.52	1.00	1.00	0.77	0.75	0.54	1.00	1.00	0.80	0.55	
S/T†	8.54	8.54	8.55	8.52	8.48	9.40	9.40	9.40	9.38	9.35	10.37	10.37	10.38	10.36	10.34	11.49	11.49	11.50	11.48	11.47	12.77	12.77	12.78	12.77	12.76
AMPS*	2.64	2.64	2.65	2.67	2.69	3.08	3.08	3.08	3.10	3.13	3.55	3.55	3.55	3.58	3.61	4.07	4.07	4.07	4.09	4.13	4.64	4.64	4.63	4.66	4.70
HIPR	138	139	140	150	164	141	142	141	152	166	145	145	143	154	168	148	148	145	156	170	152	152	152	147	172
LO PR	29.89	29.93	29.70	31.96	35.09	28.74	28.78	28.82	30.47	33.45	27.53	27.57	28.87	28.93	31.78	26.22	26.26	25.32	27.29	29.87	24.80	24.83	23.66	25.52	28.04
MBH†	1.00	1.00	0.75	0.73	0.52	1.00	1.00	0.77	0.75	0.55	1.00	1.00	0.79	0.77	0.55	1.00	1.00	0.81	0.79	0.56	1.00	1.00	0.84	0.52	
S/T†	8.74	8.74	8.74	8.72	8.68	9.59	9.59	9.60	9.58	9.54	10.57	10.57	10.58	10.56	10.53	11.69	11.69	11.70	11.68	11.66	12.97	12.97	12.98	12.97	12.96
AMPS*	2.65	2.65	2.65	2.67	2.70	3.09	3.09	3.08	3.11	3.14	3.56	3.56	3.56	3.58	3.62	4.09	4.09	4.07	4.10	4.14	4.66	4.66	4.64	4.67	4.71
HIPR	144	144	144	153	167	147	147	144	155	169	150	150	146	157	170	153	153	148	158	172	157	157	157	150	174
LO PR	144	144	144	153	167	147	147	144	155	169	150	150	146	157	170	153	153	148	158	172	157	157	157	150	174

COOLING		36 Size Outdoor With EN(A,D)4X37*17** Indoor Cooling																							
		Outdoor Ambient Temperature - Degrees F, Dry Bulb								95															
		85				105				95				105											
CFM	57	62	63††	67	72	72	57	62	63††	67	72	72	57	62	63††	67	72	57	62	63††	67	72			
	33.38	34.09	34.65	37.33	41.06	32.16	32.58	33.08	35.65	39.22	30.85	31.00	31.40	33.87	37.27	29.43	29.47	29.62	31.96	35.20	27.91	27.95	27.73	29.95	
MBH†	1.00	0.88	0.70	0.67	0.50	1.00	0.90	0.71	0.69	0.50	1.00	0.92	0.73	0.70	0.51	1.00	1.00	0.75	0.72	0.52	1.00	1.00	0.77	0.54	
S/T†	9.81	9.82	9.83	9.87	9.95	10.91	10.92	10.93	10.98	11.06	12.14	12.14	12.15	12.20	12.28	13.54	13.54	13.54	13.59	13.67	15.15	15.15	15.15	15.19	
AMPS*	2.60	2.60	2.61	2.62	2.63	3.04	3.04	3.04	3.06	3.08	3.52	3.52	3.52	3.54	3.56	4.04	4.04	4.04	4.06	4.09	4.62	4.62	4.62	4.64	
HIPR	132	135	136	147	161	135	137	138	149	163	138	139	140	151	165	142	142	142	142	153	167	146	146	145	169
LO PR	34.80	34.94	35.31	38.02	41.77	33.47	33.53	33.66	36.25	39.84	32.07	32.12	31.93	34.40	37.82	30.55	30.60	30.09	32.44	35.67	28.93	28.97	28.13	30.35	
MBH†	1.00	0.92	0.73	0.71	0.52	1.00	1.00	0.75	0.72	0.52	1.00	1.00	0.77	0.74	0.53	1.00	1.00	0.79	0.77	0.55	1.00	1.00	0.82	0.56	
S/T†	10.08	10.08	10.09	10.14	10.22	11.19	11.19	11.19	11.24	11.33	12.41	12.41	12.41	12.46	12.56	13.81	13.81	13.81	13.85	13.94	15.42	15.42	15.42	15.45	
AMPS*	2.61	2.61	2.61	2.62	2.64	3.05	3.05	3.05	3.06	3.08	3.53	3.53	3.53	3.54	3.57	4.05	4.05	4.05	4.07	4.10	4.63	4.63	4.62	4.64	
HIPR	138	139	140	150	164	141	141	141	152	166	144	145	143	154	168	148	148	145	156	170	152	152	147	158	
LO PR	35.96	36.01	35.80	38.51	42.28	34.56	34.61	34.11	36.70	40.29	33.08	33.12	32.32	34.80	38.19	31.47	31.51	30.43	32.78	35.98	29.76	29.80	28.44	30.65	
MBH†	1.00	1.00	0.76	0.74	0.53	1.00	1.00	0.78	0.76	0.54	1.00	1.00	0.80	0.78	0.56	1.00	1.00	0.83	0.81	0.57	1.00	1.00	0.86	0.59	
S/T†	10.35	10.35	10.35	10.40	10.48	11.46	11.46	11.45	11.51	11.60	12.69	12.69	12.67	12.73	12.82	14.09	14.08	14.07	14.12	14.21	15.69	15.69	15.67	15.71	
AMPS*	2.61	2.61	2.61	2.62	2.64	3.05	3.05	3.05	3.07	3.08	3.53	3.53	3.53	3.55	3.57	4.06	4.06	4.06	4.07	4.10	4.64	4.64	4.63	4.65	
HIPR	144	144	142	153	167	146	147	144	155	169	150	150	146	157	171	153	153	148	159	173	157	157	157	150	
LO PR	144	144	142	153	167	146	147	144	155	169	150	150	146	157	171	153	153	148	159	173	157	157	157	150	

See Notes following tables.

COOLING		42 Size Outdoor With EN(A,D)4X43*24** Indoor Cooling																									
		Outdoor Ambient Temperature - Degrees F, Dry Bulb									Outdoor Ambient Temperature - Degrees F, Wet Bulb																
		75			85			95			105			115													
CFM		57	62	63††	67	72	77	82	83††	87	92	97	102	103††	107	112	117	118††	122								
1225	MBH†	40.45	41.32	41.97	45.17	49.58	38.96	39.49	40.06	43.10	47.31	37.34	37.56	38.02	40.90	44.88	35.60	35.65	35.83	38.55	42.30	33.73	33.78	33.53	36.07	39.58	
	S/T†	1.00	0.85	0.68	0.66	0.49	1.00	0.87	0.69	0.67	0.49	1.00	0.89	0.71	0.69	0.50	1.00	1.00	0.73	0.71	0.51	1.00	1.00	0.75	0.73	0.52	
	AMPS*	11.89	11.90	11.91	11.97	12.06	13.15	13.17	13.18	13.25	13.36	14.61	14.62	14.63	14.72	14.85	16.26	16.26	16.27	16.37	16.52	18.12	18.12	18.12	18.11	18.22	18.37
	HIPR	268	268	269	271	273	311	312	312	314	317	359	359	359	362	365	411	411	411	411	414	418	467	467	467	470	474
	LO PR	130	133	135	145	159	133	135	137	147	161	137	138	139	149	163	140	141	141	152	166	145	145	145	143	154	168
	MBH†	42.10	42.31	42.74	45.95	50.40	40.50	40.55	40.75	43.80	48.02	36.76	38.82	38.61	41.50	45.48	36.89	36.94	36.36	39.07	42.82	34.89	34.93	33.97	36.51	39.99	
	S/T†	1.00	0.89	0.71	0.69	0.50	1.00	1.00	0.73	0.71	0.51	1.00	1.00	0.75	0.72	0.52	1.00	1.00	0.77	0.75	0.53	1.00	1.00	0.79	0.77	0.55	
	AMPS*	12.21	12.21	12.22	12.28	12.37	13.49	13.49	13.49	13.57	13.68	14.95	14.95	14.95	15.04	15.17	16.61	16.61	16.59	16.69	16.84	18.47	18.47	18.47	18.43	18.54	18.70
	HIPR	269	269	269	271	274	313	313	313	315	318	360	360	360	363	366	412	412	412	415	418	469	469	469	468	471	475
	LO PR	136	137	138	148	162	139	140	140	150	164	143	143	142	152	166	146	147	144	155	169	150	151	146	157	171	
	MBH†	43.46	43.52	43.31	46.53	50.98	41.76	41.82	41.25	44.31	48.52	39.91	39.96	39.06	41.95	45.91	37.93	37.98	36.74	39.45	43.16	35.81	35.86	34.30	36.83	40.25	
	S/T†	1.00	1.00	0.74	0.72	0.52	1.00	1.00	0.76	0.74	0.53	1.00	1.00	0.78	0.76	0.54	1.00	1.00	0.81	0.79	0.56	1.00	1.00	0.84	0.82	0.57	
	AMPS*	12.53	12.53	12.53	12.59	12.68	13.81	13.82	13.80	13.88	14.00	15.29	15.29	15.26	15.35	15.49	16.95	16.95	16.91	17.01	17.16	18.81	18.82	18.75	18.86	19.02	
	HIPR	270	270	270	272	274	314	314	313	316	319	362	362	362	363	367	414	414	414	412	415	470	470	470	469	471	475
	LO PR	142	142	141	151	165	145	145	142	153	167	148	148	144	155	169	151	152	146	157	171	155	156	148	159	173	

COOLING		48 Size Outdoor With ED*4X60L** Indoor Cooling																									
		Outdoor Ambient Temperature - Degrees F, Dry Bulb									Outdoor Ambient Temperature - Degrees F, Wet Bulb																
		75			85			95			105			115													
CFM		57	62	63††	67	72	77	82	83††	87	92	97	102	103††	107	112	117	118††	122								
1400	MBH†	45.04	45.88	46.55	50.40	55.66	43.30	43.74	44.30	47.90	52.87	41.48	41.61	41.99	45.35	50.01	39.52	39.58	39.55	42.69	47.02	37.43	37.48	37.00	39.88	43.90	
	S/T†	1.00	0.89	0.71	0.68	0.50	1.00	0.91	0.72	0.70	0.51	1.00	0.99	0.74	0.72	0.52	1.00	1.00	0.76	0.74	0.53	1.00	1.00	0.78	0.76	0.54	
	AMPS*	13.41	13.32	13.28	12.82	12.12	14.98	14.94	14.92	14.58	14.04	16.61	16.60	16.59	16.36	15.97	18.34	18.34	18.35	18.21	17.95	20.24	20.24	20.24	20.19	20.03	
	HIPR	261	262	262	265	268	304	304	304	307	311	350	350	350	353	358	400	400	400	404	408	455	455	455	458	463	
	LO PR	131	134	135	145	159	135	136	137	147	161	136	139	139	150	163	142	142	141	152	166	146	146	144	154	168	
	MBH†	46.93	47.08	47.42	51.27	56.61	45.05	45.11	45.06	48.67	53.68	43.05	43.11	42.64	46.00	50.68	40.93	40.99	40.11	43.23	47.58	38.67	38.72	37.45	40.33	44.33	
	S/T†	1.00	0.99	0.74	0.72	0.52	1.00	1.00	0.76	0.73	0.53	1.00	1.00	0.78	0.75	0.54	1.00	1.00	0.80	0.78	0.55	1.00	1.00	0.83	0.81	0.57	
	AMPS*	13.56	13.54	13.53	13.05	12.31	15.19	15.19	15.21	14.85	14.28	16.88	16.87	16.92	16.67	16.26	18.66	18.66	18.71	18.55	18.27	20.59	20.59	20.63	20.55	20.38	
	HIPR	263	263	263	266	269	305	305	305	308	312	352	352	351	354	359	402	402	401	405	409	457	457	457	459	464	
	LO PR	137	138	138	149	162	141	141	140	151	164	144	144	142	153	166	148	148	144	155	169	152	152	147	157	171	
	MBH†	48.47	48.53	48.07	51.92	57.28	46.43	46.49	45.62	49.23	54.25	44.30	44.36	43.11	46.48	51.15	42.06	42.10	40.50	43.63	47.94	39.65	39.70	37.78	40.66	44.60	
	S/T†	1.00	1.00	0.77	0.75	0.54	1.00	1.00	0.79	0.77	0.54	1.00	1.00	0.81	0.79	0.56	1.00	1.00	0.84	0.82	0.58	1.00	1.00	0.87	0.85	0.59	
	AMPS*	13.73	13.72	13.81	13.30	12.54	15.42	15.41	15.52	15.14	14.55	17.15	17.14	17.14	17.26	16.98	16.56	18.98	18.97	19.07	18.89	18.60	20.94	20.94	21.00	20.91	20.73
	HIPR	264	264	264	266	269	307	307	306	309	313	353	353	352	355	359	404	404	402	405	410	459	459	457	460	465	
	LO PR	142	143	141	151	165	146	146	143	153	167	149	149	145	155	169	152	153	147	157	171	156	157	149	160	173	

See Notes following tables.

COOLING		49 Size Outdoor With ED*4X60L** Indoor Cooling																							
		Outdoor Ambient Temperature - Degrees F, Dry Bulb									Outdoor Ambient Temperature - Degrees F, Wet Bulb														
		75			85			95			105			115											
CFM		57	62	63††	67	72	72	57	62	63††	67	72	72	57	62	63††	67	72							
1400	MBH†	46.37	47.80	48.68	52.30	57.32	44.61	45.60	46.39	49.82	54.56	42.80	43.36	44.06	47.28	51.78	40.88	41.64	44.69	48.95	38.84	38.90	39.09	41.97	46.98
	S/T†	1.00	0.87	0.70	0.68	0.50	1.00	0.89	0.71	0.69	0.51	1.00	0.92	0.73	0.71	0.52	1.00	0.94	0.75	0.72	0.53	1.00	1.00	0.77	0.54
	AMPS*	14.18	14.14	14.12	14.00	13.81	15.93	15.93	15.94	15.91	15.86	17.73	17.74	17.76	17.81	17.86	19.68	19.70	19.79	19.91	21.84	21.84	21.84	21.85	21.96
	H I P R	272	273	274	277	281	315	316	317	320	325	362	363	364	367	373	414	415	415	419	425	471	471	472	476
	L O P R	126	129	131	141	155	129	132	133	144	157	132	134	135	146	159	136	136	138	148	162	140	140	140	150
	MBH†	48.31	48.89	49.61	53.25	58.31	46.40	46.63	47.20	50.63	55.43	44.45	44.51	44.78	48.00	52.53	42.39	42.44	42.25	45.30	49.58	40.20	40.25	39.63	42.49
	S/T†	1.00	0.92	0.73	0.71	0.52	1.00	0.94	0.75	0.72	0.53	1.00	1.00	0.76	0.74	0.54	1.00	1.00	0.79	0.76	0.55	1.00	1.00	0.81	0.79
	AMPS*	14.44	14.42	14.42	14.28	14.09	16.26	16.26	16.26	16.22	16.17	18.10	18.10	18.11	18.15	18.19	20.06	20.06	20.06	20.14	20.26	22.23	22.23	22.22	22.32
	H I P R	274	274	275	278	282	317	317	318	321	326	365	365	365	369	374	417	417	417	420	426	474	474	474	477
	L O P R	132	133	135	145	158	135	135	137	147	160	138	138	139	149	163	142	142	141	151	165	146	146	143	153
	MBH†	49.89	49.94	50.29	53.94	59.05	47.86	47.92	47.80	51.25	56.05	45.77	45.83	45.29	48.51	53.06	43.59	43.64	42.70	45.75	50.02	41.29	41.34	40.01	42.87
	S/T†	1.00	1.00	0.76	0.74	0.54	1.00	1.00	0.78	0.76	0.55	1.00	1.00	0.80	0.78	0.56	1.00	1.00	0.82	0.80	0.57	1.00	1.00	0.85	0.59
	AMPS*	14.71	14.71	14.71	14.57	14.37	16.57	16.57	16.58	16.54	16.48	18.45	18.45	18.45	18.48	18.52	20.43	20.43	20.41	20.49	20.61	22.61	22.61	22.57	22.67
	H I P R	275	275	276	279	283	319	319	319	322	327	366	366	366	369	375	419	419	419	421	427	476	476	474	478
	L O P R	137	137	137	148	161	140	140	139	150	163	143	143	141	152	165	147	147	147	143	154	167	150	151	145

COOLING		60 Size Outdoor With EN(A,D)4X61*24** Indoor Cooling																							
		Outdoor Ambient Temperature - Degrees F, Dry Bulb									Outdoor Ambient Temperature - Degrees F, Wet Bulb														
		75			85			95			105			115											
CFM		57	62	63††	67	72	72	57	62	63††	67	72	72	57	62	63††	67	72							
1750	MBH†	56.19	56.64	57.26	61.61	67.62	53.95	54.07	54.46	58.55	64.17	51.53	51.61	51.50	55.32	60.58	48.93	48.99	48.36	51.90	56.79	46.09	46.15	45.00	48.28
	S/T†	1.00	0.89	0.71	0.68	0.50	1.00	0.99	0.72	0.70	0.51	1.00	1.00	0.74	0.72	0.52	1.00	1.00	0.76	0.74	0.53	1.00	1.00	0.79	0.55
	AMPS*	16.27	16.28	16.28	16.32	16.37	17.92	17.93	17.93	18.00	18.10	19.74	19.74	19.73	19.83	19.96	21.77	21.77	21.75	21.86	22.01	24.08	24.08	24.04	24.15
	H I P R	270	271	271	274	279	313	314	314	317	322	360	360	360	364	369	411	411	410	415	420	467	467	465	470
	L O P R	136	137	138	148	162	139	139	140	150	164	143	143	142	153	167	146	147	144	155	169	151	151	146	157
	MBH†	58.31	58.38	58.17	62.54	68.55	55.88	55.95	55.24	59.34	64.97	53.28	53.34	52.18	56.00	61.23	50.48	50.54	48.93	52.47	57.31	47.45	47.51	45.49	48.74
	S/T†	1.00	1.00	0.74	0.72	0.52	1.00	1.00	0.76	0.74	0.53	1.00	1.00	0.78	0.76	0.54	1.00	1.00	0.81	0.79	0.56	1.00	1.00	0.84	0.82
	AMPS*	16.72	16.73	16.73	16.76	16.81	18.40	18.40	18.39	18.45	18.55	20.22	20.22	20.19	20.29	20.42	22.26	22.26	22.21	22.32	22.47	24.57	24.57	24.50	24.61
	H I P R	272	272	272	275	280	315	316	315	318	323	363	363	361	365	370	414	414	414	416	421	469	469	466	471
	L O P R	142	142	141	152	165	145	145	143	153	167	148	149	145	156	169	152	152	147	158	172	156	157	149	160
	MBH†	60.03	60.10	58.84	63.21	69.20	57.44	57.51	55.83	59.93	65.50	54.68	54.74	52.68	56.49	61.65	51.71	51.77	49.37	52.89	57.62	48.52	48.57	45.89	49.12
	S/T†	1.00	1.00	0.78	0.75	0.54	1.00	1.00	0.80	0.78	0.55	1.00	1.00	0.82	0.80	0.56	1.00	1.00	0.85	0.83	0.58	1.00	1.00	0.88	0.86
	AMPS*	17.17	17.18	17.17	17.20	17.25	18.86	18.86	18.83	18.90	19.00	20.70	20.70	20.65	20.74	20.87	22.74	22.75	22.67	22.78	22.92	25.05	25.05	24.96	25.07
	H I P R	274	274	273	276	280	317	317	316	319	324	364	364	362	366	371	415	415	413	417	422	471	471	467	472
	L O P R	147	147	143	154	168	150	150	145	156	170	153	154	147	158	172	157	157	149	160	174	161	161	152	163

See Notes following tables.

COOLING		61 Size Outdoor With EN(A,D)4X61*24** Indoor Cooling																							
		Outdoor Ambient Temperature - Degrees F, Dry Bulb									Outdoor Ambient Temperature - Degrees F, Wet Bulb														
		75			85			95			105			115											
CFM	57	62	63††	67	72	57	62	63††	67	72	57	62	63††	67	72	57	62	63††	67	72					
	58.34	59.55	60.41	65.00	71.34	56.15	56.86	57.60	61.94	67.94	53.76	54.03	54.60	58.67	64.31	51.15	51.22	51.36	55.16	60.39	48.28	48.35	47.89	51.37	56.18
	1.00	0.88	0.70	0.68	0.50	1.00	0.90	0.72	0.69	0.51	1.00	0.92	0.73	0.71	0.52	1.00	1.00	0.75	0.73	0.53	1.00	1.00	0.78	0.76	0.54
1750	17.39	17.42	17.43	17.55	17.71	19.05	19.07	19.08	19.21	19.37	20.95	20.96	20.97	21.11	21.29	23.13	23.13	23.13	23.28	23.47	25.60	25.61	25.58	25.74	25.94
	276	277	277	281	285	320	320	321	324	330	367	367	368	372	378	419	419	419	424	430	475	475	474	479	486
	131	133	135	145	159	134	135	137	147	161	137	138	139	149	164	141	141	141	152	166	145	146	144	154	169
	60.68	60.97	61.50	66.11	72.50	58.32	58.39	58.57	62.92	68.94	55.72	55.81	55.42	59.50	65.13	52.92	52.99	52.08	55.86	61.08	49.84	49.90	48.47	51.94	56.71
	1.00	0.92	0.74	0.71	0.52	1.00	1.00	0.75	0.73	0.53	1.00	1.00	0.77	0.75	0.54	1.00	1.00	0.80	0.77	0.55	1.00	1.00	0.82	0.80	0.57
2000	17.87	17.87	17.88	18.00	18.16	19.53	19.53	19.53	19.66	19.83	21.44	21.44	21.43	21.56	21.74	23.62	23.62	23.59	23.73	23.92	26.10	26.11	26.04	26.19	26.39
	278	278	278	282	286	322	322	322	326	331	369	370	369	373	379	422	422	420	425	431	478	478	476	481	487
	137	137	138	149	162	140	140	140	151	164	143	143	142	153	167	147	147	144	155	169	151	152	146	157	171
	62.62	62.70	62.31	66.94	73.32	60.09	60.17	59.27	63.63	69.63	57.34	57.40	56.05	60.11	65.72	54.35	54.41	52.59	56.37	61.53	51.08	51.14	48.91	52.36	57.04
	1.00	1.00	0.77	0.75	0.54	1.00	1.00	0.79	0.77	0.55	1.00	1.00	0.81	0.79	0.56	1.00	1.00	0.84	0.82	0.58	1.00	1.00	0.87	0.85	0.60
2250	18.34	18.34	18.33	18.44	18.60	20.00	20.01	19.98	20.10	20.27	21.92	21.92	21.87	22.00	22.18	24.10	24.11	24.03	24.18	24.36	26.58	26.59	26.48	26.64	26.83
	280	280	279	283	287	324	324	323	327	332	372	372	370	374	380	424	424	421	426	432	480	480	477	482	488
	142	142	141	151	165	145	145	142	153	167	148	149	144	155	169	152	152	147	157	171	156	156	149	160	174

† Total capacities are net (I.D. blower heat subtracted) system capacities based on 25' line set.
 If additional tubing length and/or indoor unit is located above outdoor unit, a slight variation in capacity may occur.

†† At TVA rating indoor condition (75 ° F db, 63 ° F wb), all other indoor air temperatures are at 80 ° F db

If additional tubing length and/or indoor unit is located above outdoor unit, a slight variation in capacity may occur.

^ System amps are total of indoor and outdoor amps.

‡ Chart data is for 80° F indoor dry bulb. For indoor db temperatures other than 80° F, measure indoor db and Indoor CFM, and plug these into the formula below. Measure outdoor db and indoor wet bulb, apply these to the chart above, find MBh and S/T, and plug these into the formula below.
 (Note: if indoor db is the only thing changing, total capacity, MBh, stays the same.)

$$\text{Sensible Capacity at Indoor db LOWER than } 80^\circ \text{ F} = (\text{MBh} \times \text{S/T}) - \left(\frac{(80 - \text{Indoor db}) \times 835 \times \text{Indoor CFM}}{1000} \right)$$

$$\text{Sensible Capacity at Indoor db HIGHER than } 80^\circ \text{ F} = (\text{MBh} \times \text{S/T}) + \left(\frac{(\text{Indoor db} - 80) \times 835 \times \text{Indoor CFM}}{1000} \right)$$

Data for Condenser Only (Cooling)									
Saturated Suction Temperature °F		Condenser Entering Air Temperature °F							
		55	65	75	85	95	105	115	125
NXA618									
30	TCG	15.70	14.90	14.10	13.20	12.30	11.30	10.30	9.20
	SDT	65.20	74.80	84.40	94.00	103.60	113.10	122.60	132.00
	KW	0.75	0.87	0.99	1.12	1.26	1.43	1.61	1.83
35	TCG	17.50	16.60	15.70	14.70	13.70	12.60	11.50	10.40
	SDT	66.30	75.90	85.40	94.90	104.40	113.80	123.20	132.70
	KW	0.74	0.86	0.99	1.12	1.27	1.43	1.61	1.83
40	TCG	19.40	18.40	17.40	16.30	15.20	14.10	12.90	11.60
	SDT	67.50	76.90	86.40	95.80	105.20	114.60	124.00	133.30
	KW	0.73	0.86	0.99	1.12	1.27	1.43	1.62	1.83
45	TCG	21.50	20.40	19.20	18.10	16.80	15.60	14.30	12.90
	SDT	68.70	78.00	87.40	96.70	106.10	115.40	124.80	134.10
	KW	0.72	0.85	0.99	1.13	1.27	1.44	1.62	1.83
50	TCG	23.70	22.50	21.20	19.90	18.60	17.20	15.80	14.30
	SDT	69.90	79.20	88.40	97.70	107.00	116.30	125.60	134.80
	KW	0.71	0.85	0.99	1.13	1.28	1.44	1.63	1.84
55	TCG	26.00	24.70	23.30	21.80	20.40	18.90	17.40	15.80
	SDT	71.20	80.40	89.60	98.80	108.00	117.20	126.50	135.60
	KW	0.71	0.85	0.99	1.14	1.29	1.46	1.64	1.85
NXA624									
30	TCG	20.50	19.50	18.50	17.30	16.20	14.90	13.60	12.30
	SDT	66.10	75.80	85.30	94.90	104.40	114.00	123.40	132.80
	KW	1.00	1.15	1.30	1.47	1.65	1.85	2.09	2.36
35	TCG	22.70	21.60	20.40	19.20	17.90	16.60	15.20	13.70
	SDT	67.20	76.80	86.30	95.80	105.30	114.70	124.10	133.50
	KW	0.99	1.15	1.30	1.47	1.65	1.86	2.09	2.36
40	TCG	25.10	23.80	22.50	21.20	19.80	18.30	16.80	15.30
	SDT	68.40	77.90	87.30	96.70	106.10	115.50	124.80	134.10
	KW	0.98	1.14	1.30	1.47	1.66	1.86	2.09	2.36
45	TCG	27.60	26.20	24.80	23.30	21.80	20.20	18.60	16.90
	SDT	69.60	79.00	88.30	97.60	107.00	116.30	125.60	134.90
	KW	0.97	1.14	1.30	1.48	1.66	1.87	2.10	2.37
50	TCG	30.30	28.80	27.20	25.60	23.90	22.20	20.40	18.50
	SDT	70.80	80.10	89.40	98.70	107.90	117.20	126.40	135.60
	KW	0.96	1.13	1.30	1.48	1.67	1.88	2.11	2.38
55	TCG	33.20	31.50	29.70	27.90	26.10	24.20	22.30	20.30
	SDT	72.10	81.30	90.50	99.70	108.90	118.10	127.30	136.40
	KW	0.95	1.13	1.31	1.49	1.68	1.89	2.12	2.39
NXA630									
30	TCG	25.00	23.60	22.30	20.90	19.50	18.00	16.30	14.40
	SDT	68.10	77.50	87.00	96.40	105.80	115.10	124.40	133.60
	KW	1.26	1.42	1.59	1.78	1.99	2.23	2.51	2.82
35	TCG	27.60	26.10	24.70	23.20	21.60	20.00	18.20	16.30
	SDT	69.40	78.70	88.10	97.40	106.70	116.00	125.30	134.40
	KW	1.27	1.43	1.60	1.79	2.00	2.24	2.52	2.83
40	TCG	30.50	28.80	27.20	25.60	23.90	22.20	20.30	18.20
	SDT	70.70	79.90	89.20	98.50	107.70	117.00	126.20	135.30
	KW	1.28	1.43	1.60	1.79	2.01	2.25	2.53	2.85
45	TCG	33.50	31.70	29.90	28.20	26.40	24.40	22.40	20.20
	SDT	72.00	81.20	90.40	99.60	108.80	118.00	127.20	136.30
	KW	1.28	1.43	1.61	1.80	2.01	2.26	2.54	2.86
50	TCG	36.70	34.70	32.80	30.90	28.90	26.90	24.70	22.30
	SDT	73.50	82.50	91.60	100.80	110.00	119.20	128.20	137.20
	KW	1.28	1.43	1.61	1.80	2.02	2.27	2.55	2.87
55	TCG	40.10	38.00	35.90	33.80	31.60	29.40	27.10	24.60
	SDT	75.00	84.00	93.00	102.10	111.20	120.30	129.30	138.20
	KW	1.27	1.43	1.60	1.80	2.02	2.27	2.55	2.88

TCG = Gross Cooling Capacity (x 1000 BTU/hr)

SDT = Saturated Temperature Leaving Compressor

kW = Outdoor Unit Kilowatts

Data for Condenser Only (Cooling)									
Saturated Suction Temperature °F		Condenser Entering Air Temperature °F							
		55	65	75	85	95	105	115	125
NXA636									
30	TCG	31.30	29.70	28.10	26.40	24.60	22.80	20.80	18.80
	SDT	69.50	78.70	87.90	97.20	106.60	115.90	125.20	134.60
	KW	1.43	1.64	1.86	2.10	2.37	2.68	3.04	3.47
35	TCG	34.50	32.80	31.00	29.20	27.30	25.30	23.20	21.00
	SDT	70.70	79.90	89.10	98.30	107.60	116.80	126.10	135.40
	KW	1.43	1.65	1.87	2.11	2.38	2.69	3.05	3.47
40	TCG	38.10	36.10	34.20	32.20	30.10	27.90	25.70	23.30
	SDT	72.10	81.20	90.30	99.50	108.70	117.80	127.10	136.30
	KW	1.44	1.66	1.88	2.12	2.39	2.70	3.06	3.48
45	TCG	41.80	39.70	37.60	35.40	33.10	30.80	28.30	25.70
	SDT	73.70	82.60	91.60	100.70	109.80	118.90	128.10	137.20
	KW	1.45	1.67	1.90	2.14	2.41	2.72	3.07	3.49
50	TCG	45.90	43.60	41.20	38.80	36.30	33.80	31.10	28.30
	SDT	75.30	84.10	93.10	102.00	111.10	120.10	129.10	138.10
	KW	1.47	1.69	1.92	2.16	2.43	2.74	3.09	3.50
55	TCG	50.20	47.60	45.10	42.40	39.80	37.00	34.10	31.10
	SDT	77.00	85.70	94.60	103.40	112.30	121.30	130.20	139.10
	KW	1.49	1.71	1.94	2.19	2.46	2.76	3.11	3.52
NXA642									
30	TCG	38.00	36.30	34.40	32.40	30.20	27.90	25.60	23.10
	SDT	69.80	79.20	88.70	98.10	107.40	116.70	125.90	135.10
	KW	1.83	2.03	2.26	2.54	2.86	3.22	3.63	4.09
35	TCG	42.00	40.10	38.00	35.80	33.40	30.90	28.40	25.70
	SDT	71.20	80.60	89.90	99.20	108.40	117.70	126.80	136.00
	KW	1.84	2.04	2.28	2.56	2.88	3.24	3.65	4.11
40	TCG	46.30	44.20	41.80	39.40	36.80	34.10	31.30	28.40
	SDT	72.70	81.90	91.20	100.40	109.60	118.70	127.80	136.90
	KW	1.85	2.06	2.30	2.58	2.90	3.26	3.67	4.13
45	TCG	50.90	48.50	45.90	43.20	40.40	37.40	34.40	31.20
	SDT	74.20	83.30	92.50	101.60	110.80	119.90	128.90	137.90
	KW	1.86	2.07	2.32	2.60	2.92	3.29	3.70	4.16
50	TCG	55.70	53.10	50.20	47.30	44.10	40.90	37.60	34.20
	SDT	75.80	84.80	93.90	103.00	112.00	121.00	130.00	138.90
	KW	1.87	2.09	2.34	2.63	2.95	3.32	3.73	4.19
55	TCG	60.90	57.90	54.80	51.50	48.10	44.60	41.00	37.30
	SDT	77.40	86.40	95.40	104.40	113.40	122.30	131.20	140.00
	KW	1.89	2.11	2.36	2.66	2.99	3.36	3.77	4.23
NXA648									
30	TCG	40.60	38.50	36.30	34.20	31.90	29.50	27.10	24.40
	SDT	67.60	77.00	86.40	95.80	105.10	114.50	123.80	133.10
	KW	2.08	2.39	2.69	2.99	3.31	3.67	4.07	4.54
35	TCG	44.90	42.50	40.10	37.70	35.20	32.70	30.00	27.10
	SDT	68.90	78.20	87.50	96.80	106.10	115.30	124.60	133.80
	KW	2.01	2.35	2.67	3.00	3.33	3.69	4.09	4.55
40	TCG	49.70	47.00	44.30	41.60	38.80	36.00	33.10	30.00
	SDT	70.20	79.40	88.60	97.80	107.00	116.30	125.40	134.60
	KW	1.90	2.28	2.63	2.98	3.33	3.70	4.11	4.57
45	TCG	54.80	51.80	48.80	45.80	42.70	39.60	36.40	33.00
	SDT	71.70	80.70	89.80	99.00	108.10	117.30	126.40	135.40
	KW	1.75	2.17	2.55	2.93	3.31	3.70	4.13	4.59
50	TCG	60.50	57.00	53.70	50.30	46.90	43.50	39.90	36.20
	SDT	73.20	82.10	91.20	100.20	109.30	118.30	127.30	136.30
	KW	1.56	2.02	2.44	2.86	3.27	3.69	4.13	4.61
55	TCG	66.60	62.70	58.90	55.20	51.40	47.60	43.60	39.50
	SDT	74.80	83.60	92.60	101.50	110.50	119.40	128.40	137.30
	KW	1.31	1.82	2.30	2.75	3.20	3.65	4.11	4.61

TCG = Gross Cooling Capacity (x 1000 BTU/hr)
 SDT = Saturated Temperature Leaving Compressor
 kW = Outdoor Unit Kilowatts

Data for Condenser Only (Cooling)									
Saturated Suction Temperature °F		Condenser Entering Air Temperature °F							
		55	65	75	85	95	105	115	125
NXA649									
30	TCG	45.70	43.10	40.60	38.10	35.50	32.90	30.10	27.20
	SDT	69.50	78.90	88.20	97.60	106.90	116.20	125.40	134.70
	KW	2.06	2.44	2.79	3.13	3.49	3.90	4.38	4.96
35	TCG	50.50	47.50	44.70	41.90	39.10	36.30	33.30	30.10
	SDT	70.90	80.20	89.40	98.60	107.90	117.10	126.30	135.50
	KW	2.00	2.42	2.79	3.15	3.52	3.93	4.40	4.97
40	TCG	55.80	52.40	49.20	46.10	43.00	39.80	36.60	33.20
	SDT	72.30	81.40	90.60	99.70	108.90	118.10	127.20	136.40
	KW	1.93	2.38	2.78	3.16	3.55	3.96	4.43	4.99
45	TCG	61.40	57.50	53.90	50.50	47.10	43.60	40.10	36.40
	SDT	73.80	82.80	91.90	101.00	110.00	119.20	128.20	137.30
	KW	1.85	2.33	2.77	3.17	3.57	4.00	4.47	5.01
50	TCG	67.30	63.00	59.00	55.20	51.40	47.60	43.70	39.70
	SDT	75.40	84.30	93.20	102.20	111.30	120.30	129.30	138.20
	KW	1.76	2.28	2.74	3.17	3.60	4.03	4.51	5.05
55	TCG	73.60	68.90	64.40	60.10	55.90	51.70	47.50	43.20
	SDT	77.00	85.80	94.70	103.60	112.60	121.50	130.40	139.30
	KW	1.65	2.21	2.71	3.17	3.62	4.07	4.55	5.08
NXA660									
30	TCG	49.80	47.40	44.90	42.20	39.40	36.30	33.00	29.50
	SDT	69.00	78.40	87.70	97.10	106.40	115.60	124.80	134.00
	KW	2.44	2.75	3.07	3.42	3.82	4.27	4.80	5.43
35	TCG	55.20	52.40	49.60	46.60	43.40	40.10	36.50	32.80
	SDT	70.40	79.70	89.00	98.20	107.40	116.60	125.80	134.90
	KW	2.43	2.76	3.09	3.45	3.84	4.30	4.83	5.44
40	TCG	60.90	57.80	54.60	51.30	47.80	44.10	40.20	36.10
	SDT	71.90	81.10	90.20	99.40	108.50	117.60	126.70	135.70
	KW	2.42	2.76	3.10	3.47	3.87	4.33	4.85	5.46
45	TCG	67.00	63.50	59.90	56.20	52.40	48.30	44.10	39.60
	SDT	73.50	82.50	91.60	100.70	109.70	118.70	127.70	136.70
	KW	2.41	2.76	3.12	3.49	3.90	4.36	4.88	5.48
50	TCG	73.50	69.50	65.50	61.40	57.20	52.80	48.10	43.30
	SDT	75.10	84.00	93.00	102.00	111.00	119.90	128.80	137.60
	KW	2.40	2.77	3.13	3.51	3.93	4.39	4.91	5.51
55	TCG	80.40	75.90	71.40	66.90	62.20	57.40	52.30	47.10
	SDT	76.80	85.70	94.50	103.40	112.30	121.10	129.90	138.60
	KW	2.39	2.77	3.15	3.54	3.96	4.42	4.95	5.54
NXA661									
30	TCG	54.20	51.40	48.60	45.70	42.70	39.50	36.10	32.60
	SDT	70.80	80.10	89.30	98.60	107.80	117.00	126.20	135.30
	KW	2.67	2.96	3.29	3.66	4.08	4.55	5.09	5.70
35	TCG	59.70	56.70	53.60	50.40	47.10	43.60	39.90	36.00
	SDT	72.40	81.50	90.70	99.80	109.00	118.10	127.20	136.20
	KW	2.71	3.00	3.32	3.69	4.11	4.59	5.13	5.75
40	TCG	65.60	62.30	58.90	55.40	51.70	47.90	43.80	39.50
	SDT	73.90	83.00	92.10	101.20	110.20	119.30	128.30	137.20
	KW	2.74	3.03	3.35	3.72	4.15	4.63	5.18	5.79
45	TCG	71.90	68.30	64.60	60.70	56.70	52.40	48.00	43.20
	SDT	75.60	84.60	93.60	102.60	111.60	120.50	129.40	138.20
	KW	2.78	3.06	3.39	3.76	4.19	4.67	5.22	5.84
50	TCG	78.60	74.70	70.60	66.30	61.90	57.20	52.30	47.10
	SDT	77.40	86.30	95.20	104.10	113.00	121.80	130.60	139.30
	KW	2.81	3.10	3.42	3.80	4.23	4.71	5.27	5.89
55	TCG	85.70	81.40	76.90	72.20	67.30	62.20	56.80	51.10
	SDT	79.30	88.10	96.90	105.70	114.40	123.20	131.90	140.40
	KW	2.86	3.14	3.46	3.84	4.27	4.76	5.31	5.94

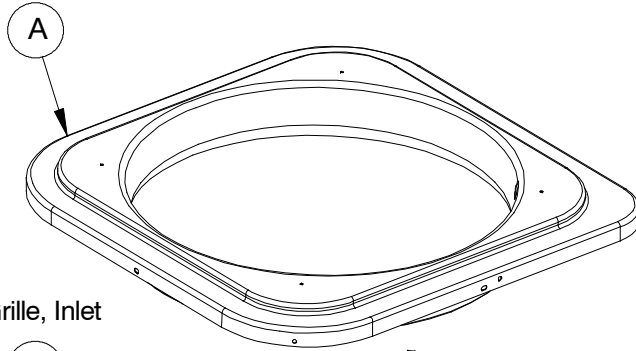
TCG = Gross Cooling Capacity (x 1000 BTU/hr)

SDT = Saturated Temperature Leaving Compressor

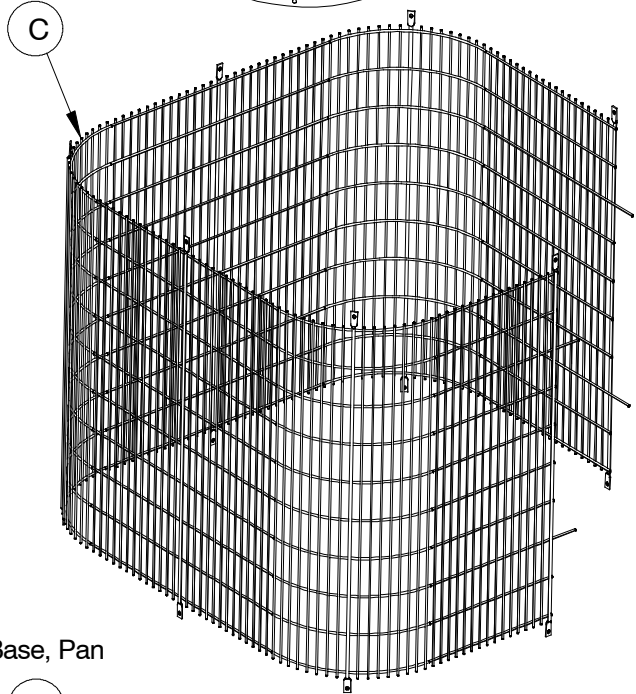
kW = Outdoor Unit Kilowatts

NOTE: This illustration is for reference only. Your unit may differ in appearance or may not include all components shown. Please refer to Parts List for exact parts listing.

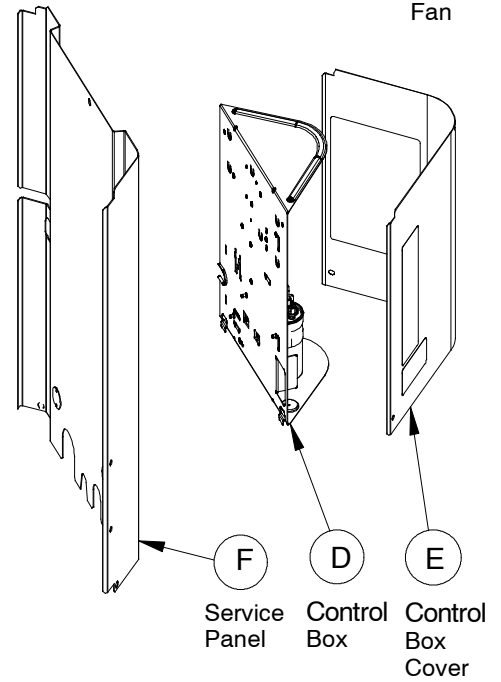
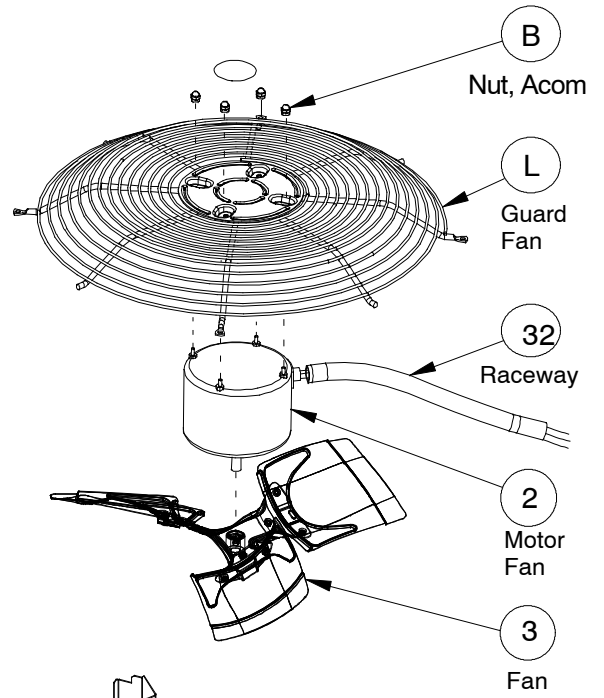
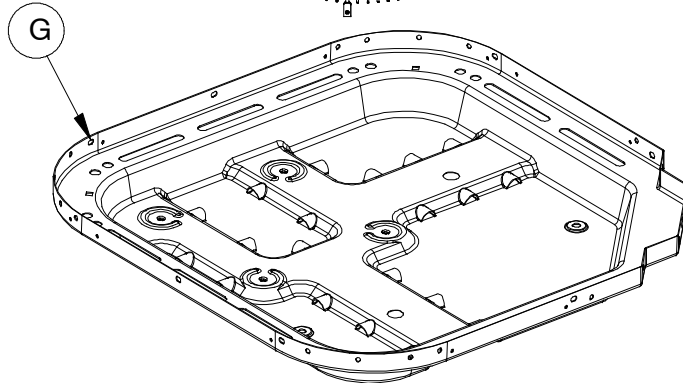
Top, Cover



Grille, Inlet

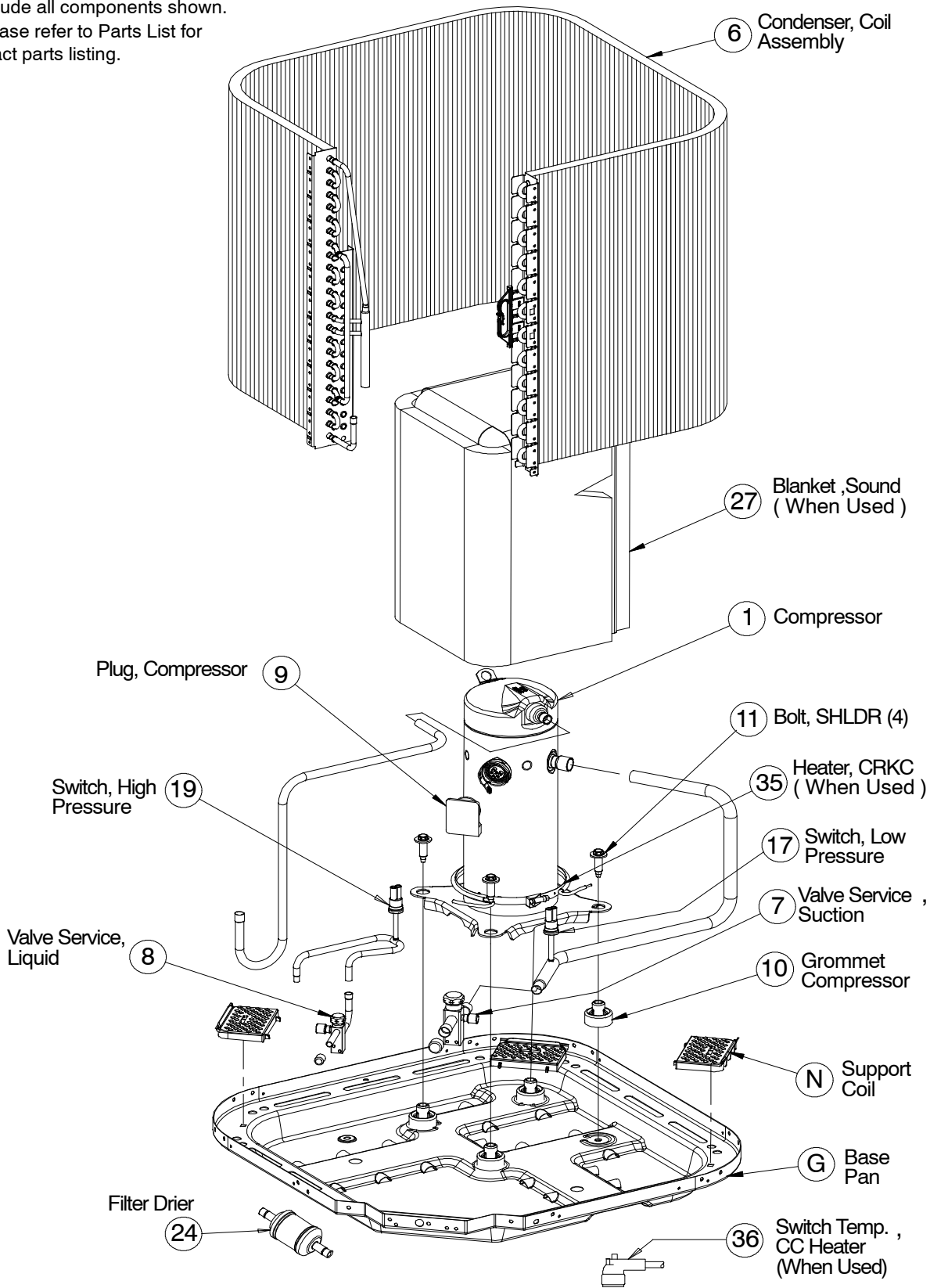


Base, Pan

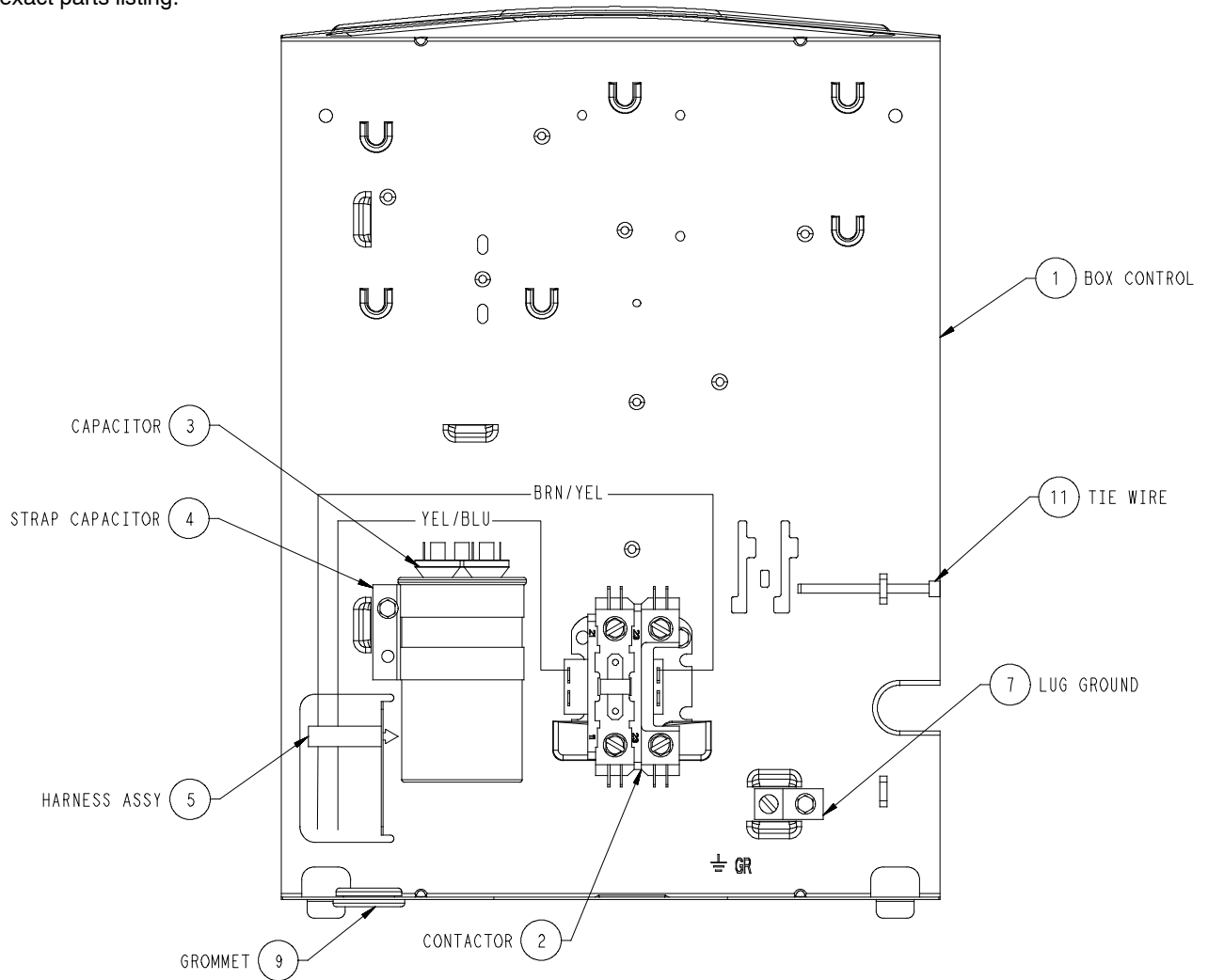


Service Panel (F), Control Box (D), Control Box Cover (E)

NOTE: This illustration is for reference only. Your unit may differ in appearance or may not include all components shown. Please refer to Parts List for exact parts listing.



NOTE: This illustration is for reference only. Your unit may differ in appearance or may not include all components shown. Please refer to Parts List for exact parts listing.



NXA6 PARTS LIST

KEY NO.	DESCRIPTION	PART NO.	NXA618GKA100	NXA624GKA100	NXA630GKA100	NXA636GKA100	NXA642GKA100	NXA648GKA100	NXA649GKA100	NXA660GKA100	NXA661GKA100
01	COMP ZP16K5E-PFV-130	ZP16K5EPFV130	1	-	-	-	-	-	-	-	-
01	COMPRESSOR	ZP20K5EPFV130	-	1	-	-	-	-	-	-	-
01	COMPRESSOR	ZP24K5EPFV130	-	-	1	-	-	-	-	-	-
01	COMPRESSOR	ZP29K5EPFV130	-	-	-	1	-	-	-	-	-
01	COMPRESSOR	ZP34K5EPFV130	-	-	-	-	1	-	-	-	-
01	COMPRESSOR	ZP38K5EPFV130	-	-	-	-	-	1	-	-	-
01	COMPRESSOR	ZP42K5EPFV130	-	-	-	-	-	-	1	-	-
01	COMPRESSOR	ZP44K5EPFV130	-	-	-	-	-	-	-	1	-
01	COMPRESSOR	ZP49K5EPFV130	-	-	-	-	-	-	-	-	1
02	MTR CND 1/230 1/12 1100	1172706	1	-	-	-	-	-	-	-	-
02	MTR CND 1/230 1/10 1100	1173646	-	1	1	-	-	-	-	-	-
02	MTR CND 1/230 1/5	1173716	-	-	-	1	-	-	-	-	-
02	MTR CND 1/230 1/5	1173660	-	-	-	-	1	-	-	-	-
02	MTR CND 1/230 1/4	1173665	-	-	-	-	-	1	1	1	1
03	FAN C 20" 2B 1/2" 20 INT	1172711	1	-	-	-	-	-	-	-	-
03	FAN C 24" 2B 1/2" 16 INT	1173874	-	1	1	-	-	-	-	-	-
03	FAN C 26" 3B 1/2" 16 INT	1174940	-	-	-	1	-	-	-	-	-
03	FAN C 26" 3B 1/2" 21 INT	1173661	-	-	-	-	1	-	-	-	-
03	FAN C 26" 3B 1/2" 24 INT	1172716	-	-	-	-	-	1	1	1	1
04	CONTACTOR 1P 30A 24V W/SHUNT	1172472	1	1	1	1	1	1	1	-	-
04	CONTACTOR 1P 40A 24V	1176763	-	-	-	-	-	-	-	1	1
05	CAP RN RD 370V 5+30	1172109	1	-	-	-	-	-	-	-	-
05	CAP RN RD 370V 5+35	1172110	-	1	-	-	-	-	-	-	-
05	CAP RN RD 370V 5+40	1172147	-	-	1	-	-	-	-	-	-
05	CAP RN RD 370V 5+45	1172124	-	-	-	1	1	-	-	-	-
05	CAP RN RD 370V 7.5+45	1172291	-	-	-	-	-	1	-	-	-
05	CAP RN RD 370V 7.5+70	1172295	-	-	-	-	-	-	1	1	1
06	COIL ASY COND	1183622	1	-	-	-	-	-	-	-	-
06	COIL ASY COND	1183623	-	1	-	-	-	-	-	-	-
06	COIL ASY COND	1183358	-	-	1	-	-	-	-	-	-
06	COIL ASY COND	1183624	-	-	-	1	-	-	-	-	-
06	COIL ASY COND	1183625	-	-	-	-	1	-	-	-	-
06	COIL ASY COND	1179157	-	-	-	-	-	1	-	-	-
06	COIL ASY COND	1183626	-	-	-	-	-	-	1	-	-
06	COIL ASY COND	1183627	-	-	-	-	-	-	-	1	1
07	VALVE SVC PARK SUC 12S-12S	1172726	1	1	1	-	-	-	-	-	-
07	VALVE SVC PARK SUC 14S-14S	1172727	-	-	-	1	1	1	1	1	1
08	VALVE SVC PARK LIQ 06S-06S	1172792	1	1	1	1	1	1	1	1	1
09	PLUG COMP WIRE (SM) 12GAx44"	1172731	1	1	1	1	-	-	-	-	-
09	PLUG COMP WIRE (SM) 12GAx54"	1172793	-	-	-	-	1	-	-	-	-
09	PLUG COMP WIRE (SM)	1176563	-	-	-	-	-	1	1	-	-
09	PLUG COMP WIRE (SM) 10GAx54"	1172732	-	-	-	-	-	-	-	1	1
10	GROMMET COMPRESSOR 1.62"DIA S	1171270	4	4	4	4	4	4	4	4	4
11	BOLT SHLDR COMP. MTG,	1173630	4	4	4	4	4	4	4	4	4
24	FILTER DRIER ASY	1174727	1	1	1	1	1	1	1	-	-
24	FILTER DRIER ASY	1174195	-	-	-	-	-	-	-	1	1

- continued on next page -

NXA6 PARTS LIST											
KEY NO.	DESCRIPTION	PART NO.	NXA618GKA100	NXA624GKA100	NXA630GKA100	NXA636GKA100	NXA642GKA100	NXA648GKA100	NXA649GKA100	NXA660GKA100	NXA661GKA100
32	RACEWAY	1173642	1	-	-	-	-	-	-	-	-
32	RACEWAY	1171428	-	1	1	-	-	-	-	-	-
32	RACEWAY	1175919	-	-	-	1	1	1	1	1	1
33	LUG GROUND	1172300	1	1	1	1	1	1	1	1	1
34	HARNESS WIRE ASY	1172736	1	1	1	1	1	1	1	1	1
A	TOP COVER ASY	1178601	1	-	-	-	-	-	-	-	-
A	TOP COVER ASY	1178643	-	1	1	-	-	-	-	-	-
A	TOP COVER ASY	1178565	-	-	-	1	1	1	1	1	1
B	NUT CAP HEX	1172740	4	4	4	4	4	4	4	4	4
C	GRILLE INLET	1178838	1	-	-	-	-	-	-	-	-
C	GRILLE INLET	1178774	-	1	-	-	-	-	-	-	-
C	GRILLE INLET	1178651	-	-	1	-	-	-	-	-	-
C	GRILLE INLET	1178803	-	-	-	1	-	-	-	-	-
C	GRILLE INLET	1178791	-	-	-	-	1	1	1	-	-
C	GRILLE INLET	1178804	-	-	-	-	-	-	-	1	1
D	BOX CONTROL	1172753	1	1	1	1	1	1	1	1	1
E	KIT CONTROL BOX COVER	1178916	1	-	-	-	-	-	-	-	-
E	KIT CONTROL BOX COVER	1178917	-	1	-	-	-	-	-	-	-
E	KIT CONTROL BOX COVER	1178918	-	-	1	-	-	-	-	-	-
E	KIT CONTROL BOX COVER	1178919	-	-	-	1	-	-	-	-	-
E	KIT CONTROL BOX COVER	1178920	-	-	-	-	1	-	-	-	-
E	KIT CONTROL BOX COVER	1178921	-	-	-	-	-	1	-	-	-
E	KIT CONTROL BOX COVER	1183630	-	-	-	-	-	-	1	-	-
E	KIT CONTROL BOX COVER	1178923	-	-	-	-	-	-	-	1	1
F	SVCE PNL ASSY	1178324	1	1	-	1	-	-	-	-	-
F	SVCE PNL ASSY	1178528	-	-	1	-	-	-	-	-	-
F	SVCE PNL ASSY	1178326	-	-	-	-	1	1	1	-	-
F	SVCE PNL ASSY	1178696	-	-	-	-	-	-	-	1	1
G	BASE PAN ASY	1178653	1	-	-	-	-	-	-	-	-
G	BASE PAN ASY	1178308	-	1	1	-	-	-	-	-	-
G	BASE PAN ASY	1178309	-	-	-	1	1	1	1	1	1
L	GUARD FAN	1178640	1	-	-	-	-	-	-	-	-
L	GUARD FAN	1178644	-	1	1	-	-	-	-	-	-
L	GUARD FAN	1178604	-	-	-	1	1	1	1	1	1
N	SUPPORT COIL	1174068	3	5	5	5	5	5	5	5	5
P	CLAMP CAPACITOR ROUND 2.0"D	1172734	1	1	1	1	1	1	1	-	-
P	CLAMP CAPACITOR ROUND 2.5"D	1172735	-	-	-	-	-	-	-	1	1
Parts Not Shown											
)	GROMMET	1171737	1	1	1	1	1	1	1	1	1
)	FILTER DRIER ASSY	1173955	1	1	1	1	1	1	1	-	-
)	FILTER DRIER ASSY	1173980	-	-	-	-	-	-	-	1	1
)	DRIER FILTER SUCT LINE 8.0 CI	1174194	1	1	1	1	-	-	-	-	-
)	DRIER FILTER SUCT LINE 15.0 CI	1174193	-	-	-	-	1	1	1	1	1
)	CAP SERVICE KIT 11/16-20	1175650	1	1	1	1	1	1	1	1	1
)	CAP SERVICE KIT 15/16-20	1175651	1	1	1	1	-	-	-	-	-
)	CAP SERVICE KIT 1-1/16-20	1175652	-	-	-	-	1	1	1	1	1

- continued on next page -

NXA6 PARTS LIST

KEY NO.	DESCRIPTION	PART NO.	NXA618GKA100	NXA624GKA100	NXA630GKA100	NXA636GKA100	NXA642GKA100	NXA648GKA100	NXA649GKA100	NXA660GKA100	NXA661GKA100
) (PAINT TOUCH UP BALTIC GRY 1 PT	1178322	1	1	1	1	1	1	1	1	1
) (SCREW HEX HD 10AB X 3/8	1176782	14	14	14	14	14	14	14	14	14
) (SCREW HEX HEAD 12AB 5/8	1178281	4	4	4	4	4	4	4	4	4
) (SCREW HX HEAD 10AB 1/2	1178280	12	12	12	12	12	12	12	12	12

COOLING Multiplying Factors for other Indoor Combinations						
Indoor Cooling Model	Furnace Model	CAPACITY (MBh)	Power (AMPS)	Indoor Cooling Model	Furnace Model	Power (AMPS)
NXA618						
*EN(A,D)4X19*17**	-	1.00	1.00	EHD4X24A**	OMV098J12A	0.94
EA*4X18*14A*	*8MX*0451408**	1.00	0.94	EHD4X24A**	-	1.07
EA*4X18*14A*	*8MV*0701412**	1.00	0.94	EHD4X24A**	*8MPV050	0.94
EA*4X18*14A*	*9MX*0401410A**	1.00	0.94	EHD4X24A**	*9MPV050	0.94
EA*4X18*14A*	*9MV*0401410A**	1.00	0.96	EHD4X24A**	*9MPV075	0.94
EA*4X18*14A*	-	1.00	1.03	EHD4X24A**	MV08B15**B*	0.94
EA*4X18*14A*	MV08**14C*	1.00	0.92	EHD4X24A**	MV08**14C*	0.91
EA*4X24*14A*	*8MX*0451408**	1.00	0.92	EHD4X30A**	*9MX*0401410A**	0.92
EA*4X24*14A*	*8MV*0701412**	1.00	0.92	EHD4X30A**	*9MV*0401410A**	0.94
EA*4X24*14A*	*9MX*0401410A**	1.00	0.94	EHD4X30A**	*9MV*0601714A**	0.91
EA*4X24*14A*	*9MV*0401410A**	1.00	0.94	EHD4X30A**	*9MV*0801716A**	0.91
EA*4X24*14A*	-	1.00	1.03	EHD4X30A**	*9MV*0802120A**	0.97
EA*4X24*14A*	MV08**14C*	1.00	0.91	EHD4X30A**	*9MV*1002120A**	0.97
EA*4X24*17A*	*8MX*0451408**	1.00	0.92	EHD4X30A**	*9MV*1202422A**	0.91
EA*4X24*17A*	*8MV*0701412**	1.00	0.92	EHD4X30A**	*9MA*0601714A**	0.92
EA*4X24*17A*	*8MV*0901716**	1.00	0.92	EHD4X30A**	*9MA*0801714A**	0.92
EA*4X24*17A*	*9MX*0401410A**	1.00	0.94	EHD4X30A**	*9MA*0602120A**	0.95
EA*4X24*17A*	*9MV*0401410A**	1.00	0.94	EHD4X30A**	*9MV*1002116A**	0.91
EA*4X24*17A*	*9MV*0601714A**	1.00	0.92	EHD4X30A**	MV08**14C*	0.89
EA*4X24*17A*	*9MV*0801716A**	1.00	0.91	EMA4X24D**	-	1.07
EA*4X24*17A*	*9MA*0601714A**	1.00	0.92	EN(A,D)4X18*14**	*8MX*0451408**	0.92
EA*4X24*17A*	*9MA*0801714A**	1.00	0.92	EN(A,D)4X18*14**	*8MV*0701412**	0.92
EA*4X24*17A*	-	1.00	1.03	EN(A,D)4X18*14**	*9MX*0401410A**	0.94
EA*4X24*17A*	MV08**14C*	1.00	0.91	EN(A,D)4X18*14**	*9MV*0401410A**	0.94
EA*4X30*14A*	*9MX*0401410A**	1.00	0.94	EN(A,D)4X18*14**	-	1.00
EA*4X30*14A*	*9MV*0401410A**	1.00	0.94	EN(A,D)4X18*14**	MV08**14C*	0.91
EA*4X30*14A*	-	1.00	1.03	EN(A,D)4X19*17**	*8MX*0451408**	0.92
EA*4X30*14A*	MV08**14C*	1.00	0.91	EN(A,D)4X19*17**	*8MV*0701412**	0.92
EA*4X30*17A*	*9MX*0401410A**	1.00	0.94	EN(A,D)4X19*17**	*8MV*0901716**	0.92

COOLING Multiplying Factors for other Indoor Combinations

Indoor Cooling Model	Furnace Model	CAPACITY (MBh)	Power (AMPS)	Indoor Cooling Model	Furnace Model	CAPACITY (MBh)	Power (AMPS)
EA*4X30*17A*	*9MV*0401410A**	1.00	0.94	EN(A,D)4X19*17**	*9MX*0401410A**	1.00	0.92
EA*4X30*17A*	*9MV*0601714A**	1.00	0.92	EN(A,D)4X19*17**	*9MV*0401410A**	1.00	0.94
EA*4X30*17A*	*9MV*0801716A**	1.00	0.91	EN(A,D)4X19*17**	*9MV*0601714A**	1.00	0.91
EA*4X30*17A*	*9MA*0601714A**	1.00	0.92	EN(A,D)4X19*17**	*9MV*0801716A**	1.00	0.91
EA*4X30*17A*	*9MA*0801714A**	1.00	0.92	EN(A,D)4X19*17**	*9MA*0601714A**	1.00	0.92
EA*4X30*17A*	-	1.00	1.03	EN(A,D)4X19*17**	*9MA*0801714A**	1.00	0.92
EA*4X30*17A*	MV08**14C*	1.00	0.91	EN(A,D)4X19*17**	NOMV106D12*	1.00	0.92
ED*4X18B**	*9MX*0401410A**	1.00	0.94	EN(A,D)4X19*17**	*9MVX040	1.02	0.94
ED*4X18B**	*9MV*0401410A**	1.00	0.96	EN(A,D)4X19*17**	OLV098A12A	1.02	0.94
ED*4X18B**	-	1.00	1.04	EN(A,D)4X19*17**	OMV098J12A	1.02	0.94
ED*4X18B**	*8MPV050	1.00	0.96	EN(A,D)4X19*17**	*8MPV050	1.00	0.92
ED*4X18B**	MV08B15**B*	1.00	0.92	EN(A,D)4X19*17**	MV08B15**B*	1.00	0.92
ED*4X24B**	*9MX*0401410A**	1.00	0.94	EN(A,D)4X19*17**	*9MPV050	1.02	0.94
ED*4X24B**	*9MV*0401410A**	1.00	0.94	EN(A,D)4X19*17**	MV08**14C*	1.00	0.89
ED*4X24B**	-	1.02	1.07	EN(A,D)4X24*14**	*8MX*0451408**	1.02	0.94
ED*4X24B**	*8MPV050	1.02	0.94	EN(A,D)4X24*14**	*8MV*0701412**	1.02	0.94
ED*4X24B**	MV08B15**B*	1.02	0.94	EN(A,D)4X24*14**	*9MX*0401410A**	1.00	0.94
ED*4X24F**	*9MV*0601714A**	1.00	0.92	EN(A,D)4X24*14**	*9MV*0401410A**	1.00	0.94
ED*4X24F**	*9MV*0801716A**	1.00	0.91	EN(A,D)4X24*14**	-	1.02	1.02
ED*4X24F**	*9MV*0802120A**	1.08	0.98	EN(A,D)4X24*14**	MV08**14C*	1.00	0.91
ED*4X24F**	*9MV*1002120A**	1.09	0.99	EN(A,D)4X24*17**	*8MX*0451408**	1.02	0.94
ED*4X24F**	*9MA*0601714A**	1.00	0.92	EN(A,D)4X24*17**	*8MV*0701412**	1.02	0.94
ED*4X24F**	*9MA*0801714A**	1.00	0.92	EN(A,D)4X24*17**	*8MV*0901716**	1.02	0.94
ED*4X24F**	*9MA*0602120A**	1.04	0.96	EN(A,D)4X24*17**	*9MX*0401410A**	1.00	0.94
ED*4X24F**	*9MVX040	1.02	0.94	EN(A,D)4X24*17**	*9MV*0401410A**	1.00	0.94
ED*4X24F**	*9MVX060	1.02	0.94	EN(A,D)4X24*17**	*9MV*0601714A**	1.00	0.92
ED*4X24F**	*9MV*1002116A**	1.00	0.91	EN(A,D)4X24*17**	*9MV*0801716A**	1.00	0.92
ED*4X24F**	OLV098A12A	1.02	0.94	EN(A,D)4X24*17**	*9MA*0601714A**	1.00	0.92
ED*4X24F**	OMV098J12A	1.02	0.94	EN(A,D)4X24*17**	*9MA*0801714A**	1.00	0.92
ED*4X24F**	-	1.02	1.07	EN(A,D)4X24*17**	NOMV106D12*	1.02	0.94

COOLING Multiplying Factors for other Indoor Combinations

Indoor Cooling Model	Furnace Model	CAPACITY (MBh)	Power (AMPS)	Indoor Cooling Model	Furnace Model	CAPACITY (MBh)	Power (AMPS)
ED*4X24F**	*9MPV050	1.02	0.94	EN(A,D)4X24*17**	*9MVX040	1.02	0.94
ED*4X24F**	*9MPV075	1.02	0.94	EN(A,D)4X24*17**	OLV098A12A	1.02	0.94
ED*4X30B**	*8MX*0451408**	1.02	0.94	EN(A,D)4X24*17**	OMV098J12A	1.02	0.94
ED*4X30B**	*8MV*0701412**	1.02	0.94	EN(A,D)4X24*17**	-	1.02	1.02
ED*4X30B**	*9MX*0401410A**	1.00	0.94	EN(A,D)4X24*17**	*8MPV050	1.02	0.94
ED*4X30B**	*9MV*0401410A**	1.00	0.94	EN(A,D)4X24*17**	MV08B15**B*	1.02	0.94
ED*4X30B**	-	1.02	1.02	EN(A,D)4X24*17**	*9MPV050	1.02	0.94
ED*4X30B**	*8MPV050	1.02	0.94	EN(A,D)4X24*17**	MV08**14C*	1.00	0.91
ED*4X30B**	MV08B15**B*	1.02	0.94	EN(A,D)4X30*14**	*9MX*0401410A**	1.00	0.94
ED*4X30F**	*8MV*0901716**	1.02	0.94	EN(A,D)4X30*14**	*9MV*0401410A**	1.00	0.94
ED*4X30F**	*9MV*0601714A**	1.00	0.92	EN(A,D)4X30*14**	MV08**14C*	1.00	0.91
ED*4X30F**	*9MV*0801716A**	1.00	0.91	EN(A,D)4X30*17**	*9MX*0401410A**	1.00	0.94
ED*4X30F**	*9MV*0802120A**	1.09	0.97	EN(A,D)4X30*17**	*9MV*0401410A**	1.00	0.94
ED*4X30F**	*9MV*1002120A**	1.09	0.97	EN(A,D)4X30*17**	*9MV*0601714A**	1.00	0.92
ED*4X30F**	*9MA*0601714A**	1.00	0.92	EN(A,D)4X30*17**	*9MV*0801716A**	1.00	0.91
ED*4X30F**	*9MA*0801714A**	1.00	0.92	EN(A,D)4X30*17**	*9MA*0601714A**	1.00	0.92
ED*4X30F**	*9MA*0602120A**	1.04	0.96	EN(A,D)4X30*17**	*9MA*0801714A**	1.00	0.92
ED*4X30F**	NOMV106D12*	1.02	0.94	EN(A,D)4X30*17**	MV08**14C*	1.00	0.91
ED*4X30F**	*9MVX040	1.02	0.94	EN(A,D)4X31*17**	MV08**14C*	1.00	0.89
ED*4X30F**	*9MVX060	1.02	0.94	ENH4X24*17**	*8MX*0451408**	1.02	0.94
ED*4X30F**	*9MV*1002116A**	1.00	0.91	ENH4X24*17**	*8MV*0701412**	1.02	0.94
ED*4X30F**	-	1.02	1.02	ENH4X24*17**	*8MV*0901716**	1.02	0.94
ED*4X30F**	*8MPV050	1.02	0.94	ENH4X24*17**	*9MX*0401410A**	1.00	0.94
ED*4X30F**	*8MPV075	1.02	0.94	ENH4X24*17**	*9MV*0401410A**	1.00	0.94
ED*4X30F**	*9MPV050	1.02	0.94	ENH4X24*17**	*9MV*0601714A**	1.00	0.92
ED*4X30F**	*9MPV075	1.02	0.94	ENH4X24*17**	*9MV*0801716A**	1.00	0.92
ED*4X30F**	MV08B15**B*	1.02	0.94	ENH4X24*17**	*9MV*1202422A**	1.00	0.92
ED*4X30F**	MV12F19**B*	1.02	0.94	ENH4X24*17**	*9MA*0601714A**	1.00	0.92
ED*4X36B**	*8MX*0451408**	1.03	0.95	ENH4X24*17**	*9MA*0801714A**	1.00	0.92
ED*4X36B**	*8MV*0701412**	1.03	0.95	ENH4X24*17**	NOMV106D12*	1.02	0.94

COOLING Multiplying Factors for other Indoor Combinations

Indoor Cooling Model	Furnace Model	CAPACITY (MBh)	Power (AMPS)	Indoor Cooling Model	Furnace Model	CAPACITY (MBh)	Power (AMPS)
ED*4X36B**	-	1.03	1.03	ENH4X24*17**	*9MVX040	1.02	0.98
ED*4X36B**	*8MPV050	1.03	0.95	ENH4X24*17**	*9MVX040	1.02	0.98
ED*4X36B**	MV08B15**B*	1.03	0.95	ENH4X24*17**	*9MVX060	1.02	0.94
ED*4X36F**	*8MV*0901716**	1.03	0.95	ENH4X24*17**	*9MVX060	1.02	0.94
ED*4X36F**	NOMV106D12*	1.03	0.95	ENH4X24*17**	*9MV*1002116A**	1.00	0.92
ED*4X36F**	*9MVX040	1.03	0.95	ENH4X24*17**	OLV098A12A	1.02	0.94
ED*4X36F**	*9MVX060	1.03	0.95	ENH4X24*17**	OMV098J12A	1.02	0.94
ED*4X36F**	-	1.03	1.03	ENH4X24*17**	-	1.02	1.02
ED*4X36F**	*8MPV050	1.03	0.95	ENH4X24*17**	*8MPV050	1.02	0.94
ED*4X36F**	*8MPV075	1.03	0.95	ENH4X24*17**	*9MPV050	1.02	0.94
ED*4X36F**	*9MPV050	1.03	0.95	ENH4X24*17**	*9MPV075	1.02	0.94
ED*4X36F**	*9MPV075	1.03	0.95	ENH4X24*17**	MV08B15**B*	1.02	0.94
ED*4X36F**	MV08B15**B*	1.03	0.95	ENH4X24*17**	*9MPV050	1.02	0.94
ED*4X36F**	MV12F19**B*	1.03	0.95	ENH4X24*17**	*9MPV075	1.02	0.94
ED*4X36J**	*8MV*1102120**	1.03	0.95	ENH4X24*17**	MV08**14C*	1.00	0.91
ED*4X36J**	*9MVX040	1.03	0.95	ENH4X30*17**	*9MX*0401410A**	1.00	0.94
ED*4X36J**	*9MVX060	1.03	0.95	ENH4X30*17**	*9MV*0401410A**	1.00	0.94
ED*4X36J**	*9MVX080	1.03	0.95	ENH4X30*17**	*9MV*0601714A**	1.00	0.92
ED*4X36J**	-	1.03	1.03	ENH4X30*17**	*9MV*0801716A**	1.00	0.91
ED*4X36J**	*8MPV075	1.03	0.95	ENH4X30*17**	*9MV*1202422A**	1.00	0.91
ED*4X36J**	*8MPV100	1.03	0.95	ENH4X30*17**	*9MA*0601714A**	1.00	0.92
ED*4X36J**	*8MPV125	1.03	0.95	ENH4X30*17**	*9MA*0801714A**	1.00	0.92
ED*4X36J**	*9MPV050	1.03	0.95	ENH4X30*17**	*9MV*1002116A**	1.00	0.91
ED*4X36J**	*9MPV075	1.03	0.95	ENH4X30*17**	MV08**14C*	1.00	0.91
ED*4X36J**	*9MPV100	1.03	0.95	ENH4X31*17**	MV08**14C*	1.00	0.89
ED*4X36J**	MV12F19**B*	1.03	0.95	FEA4X18**A*	-	1.00	0.96
EHD4X24A**	*8MX*0451408**	1.02	0.94	FEA4X24**A*	-	1.02	0.94
EHD4X24A**	*8MV*0701412**	1.02	0.94	FEA4X30**A*	-	1.02	0.94
EHD4X24A**	*8MV*0901716**	1.02	0.94	FEA4X36**A*	-	1.02	0.94
EHD4X24A**	*9MX*0401410A**	1.00	0.94	FEM4P18**A*	-	1.00	0.92

COOLING Multiplying Factors for other Indoor Combinations

Indoor Cooling Model	Furnace Model	CAPACITY (MBh)	Power (AMPS)	Indoor Cooling Model	Furnace Model	CAPACITY (MBh)	Power (AMPS)
EHD4X24A**	*9MV*0401410A**	1.00	0.94	FEM4P24**A*	-	1.02	0.94
EHD4X24A**	*9MV*0601714A**	1.00	0.92	FEM4P30**A*	-	1.03	0.99
EHD4X24A**	*9MV*0801716A**	1.00	0.92	FEM4X18****	-	1.00	0.92
EHD4X24A**	*9MV*0802120A**	1.07	0.97	FEM4X24****	-	1.02	0.94
EHD4X24A**	*9MV*1002120A**	1.07	0.97	FS(M,U)4P18**A*	-	1.00	0.96
EHD4X24A**	*9MV*1202422A**	1.00	0.92	FS(M,U)4P24**A*	-	1.02	0.98
EHD4X24A**	*9MA*0601714A**	1.00	0.92	FS(M,U)4X18****	-	1.00	1.04
EHD4X24A**	*9MA*0801714A**	1.00	0.92	FS(M,U)4X24****	-	1.02	1.07
EHD4X24A**	*9MA*0602120A**	1.04	0.96	FSA4X18**A*	-	1.00	1.04
EHD4X24A**	NOMV106D12*	1.02	0.94	FSA4X24**A*	-	1.02	1.07
EHD4X24A**	*9MVX040	1.02	0.94	FVM4X24****	-	1.02	0.94
EHD4X24A**	*9MVX060	1.02	0.94	FXM4X18**A*	-	1.02	0.94
EHD4X24A**	*9MV*1002116A**	1.00	0.92	FXM4X24**A*	-	1.02	0.94
EHD4X24A**	OLV098A12A	1.02	0.94	FXM4X30**A*	-	1.02	0.94
NXA62A							
*E(A,D)4X31*17**	-	1.00	1.00	EHD4X36A**	*9MX*0401410A**	1.02	0.98
EA*4X24*14A*	*8MX*0451408**	1.02	0.96	EHD4X36A**	*9MX*0601714A**	1.02	0.92
EA*4X24*14A*	*8MV*0701412**	1.02	0.94	EHD4X36A**	*9MV*0401410A**	1.02	0.96
EA*4X24*14A*	*9MX*0401410A**	1.02	1.02	EHD4X36A**	*9MV*0601714A**	1.02	0.94
EA*4X24*14A*	*9MV*0401410A**	1.01	0.97	EHD4X36A**	*9MV*0801716A**	1.02	0.92
EA*4X24*14A*	-	1.02	1.02	EHD4X36A**	*9MV*0802120A**	1.05	0.92
EA*4X24*14A*	MV08**14C*	1.02	0.90	EHD4X36A**	*9MV*1002120A**	1.06	0.93
EA*4X24*17A*	*8MX*0451408**	1.02	0.94	EHD4X36A**	*9MV*1202422A**	1.02	0.92
EA*4X24*17A*	*8MV*0701412**	1.02	0.94	EHD4X36A**	*9MA*0601714A**	1.02	0.94
EA*4X24*17A*	*8MV*0901716**	1.02	0.94	EHD4X36A**	*9MA*0801714A**	1.02	0.92
EA*4X24*17A*	*9MX*0401410A**	1.02	1.02	EHD4X36A**	*9MA*0802120A**	1.04	0.91
EA*4X24*17A*	*9MX*0601714A**	1.02	0.94	EHD4X36A**	*9MA*1002122A**	1.05	0.92
EA*4X24*17A*	*9MV*0401410A**	1.02	0.98	EHD4X36A**	*9MA*1202422A**	1.02	0.92
EA*4X24*17A*	*9MV*0601714A**	1.02	0.94	EHD4X36A**	*9MA*0602120A**	1.03	0.92
EA*4X24*17A*	*9MV*0801716A**	1.02	0.94	EHD4X36A**	*9MV*1002116A**	1.02	0.92

COOLING Multiplying Factors for other Indoor Combinations

Indoor Cooling Model	Furnace Model	CAPACITY (MBh)	Power (AMPS)	Indoor Cooling Model	Furnace Model	CAPACITY (MBh)	Power (AMPS)
EA*4X24*17A*	*9MA*0601714A**	1.02	0.96	EHD4X36A**	*9MA*1002120A**	1.02	0.92
EA*4X24*17A*	*9MA*0801714A**	1.01	0.93	EHD4X36A**	MV08**14C*	1.02	0.89
EA*4X24*17A*	-	1.02	1.02	EHD4X36A**	MV12**17C*	1.02	0.89
EA*4X24*17A*	MV08**14C*	1.02	0.90	EMA4X24D**	-	0.99	1.03
EA*4X24*17A*	MV12**17C*	1.02	0.90	EN(A,D)4X24*14**	*8MX*0451408**	0.99	0.95
EA*4X30*14A*	*8MX*0451408**	1.02	0.94	EN(A,D)4X24*14**	*8MV*0701412**	0.99	0.92
EA*4X30*14A*	*8MV*0701412**	1.02	0.94	EN(A,D)4X24*14**	*9MX*0401410A**	1.02	1.02
EA*4X30*14A*	*9MX*0401410A**	1.02	1.02	EN(A,D)4X24*14**	*9MV*0401410A**	1.01	0.97
EA*4X30*14A*	*9MV*0401410A**	1.02	0.98	EN(A,D)4X24*14**	-	0.99	1.03
EA*4X30*14A*	-	1.02	1.02	EN(A,D)4X24*14**	MV08**14C*	1.02	0.92
EA*4X30*14A*	MV08**14C*	1.02	0.90	EN(A,D)4X24*17**	*8MX*0451408**	0.99	0.95
EA*4X30*17A*	*8MX*0451408**	1.02	0.94	EN(A,D)4X24*17**	*8MV*0701412**	0.99	0.92
EA*4X30*17A*	*8MV*0701412**	1.02	0.94	EN(A,D)4X24*17**	*8MV*0901716**	0.99	0.92
EA*4X30*17A*	*8MV*0901716**	1.02	0.94	EN(A,D)4X24*17**	*9MX*0401410A**	1.02	1.02
EA*4X30*17A*	*9MX*0401410A**	1.02	1.02	EN(A,D)4X24*17**	*9MX*0601714A**	1.02	0.96
EA*4X30*17A*	*9MX*0601714A**	1.02	0.94	EN(A,D)4X24*17**	*9MV*0401410A**	1.01	0.97
EA*4X30*17A*	*9MV*0401410A**	1.02	0.98	EN(A,D)4X24*17**	*9MV*0601714A**	1.01	0.95
EA*4X30*17A*	*9MV*0601714A**	1.02	0.94	EN(A,D)4X24*17**	*9MV*0801716A**	1.02	0.94
EA*4X30*17A*	*9MV*0801716A**	1.02	0.94	EN(A,D)4X24*17**	*9MA*0601714A**	1.02	0.96
EA*4X30*17A*	*9MA*0601714A**	1.02	0.94	EN(A,D)4X24*17**	*9MA*0801714A**	1.01	0.95
EA*4X30*17A*	*9MA*0801714A**	1.02	0.94	EN(A,D)4X24*17**	NOMV106D12*	0.99	0.95
EA*4X30*17A*	-	1.02	1.02	EN(A,D)4X24*17**	*9MVX040	0.99	0.95
EA*4X30*17A*	MV08**14C*	1.02	0.90	EN(A,D)4X24*17**	OLV098A12A	0.99	0.95
EA*4X30*17A*	MV12**17C*	1.02	0.89	EN(A,D)4X24*17**	OMV098J12A	0.99	0.95
EA*4X36*14A*	*9MX*0401410A**	1.02	1.02	EN(A,D)4X24*17**	OMV112K14A	0.99	0.92
EA*4X36*14A*	*9MV*0401410A**	1.02	0.98	EN(A,D)4X24*17**	-	0.99	1.03
EA*4X36*14A*	-	1.02	1.00	EN(A,D)4X24*17**	*8MPV050	0.99	0.95
EA*4X36*14A*	MV08**14C*	1.02	0.90	EN(A,D)4X24*17**	MV08B15**B*	0.99	0.92
EA*4X36*17A*	*9MX*0401410A**	1.02	0.98	EN(A,D)4X24*17**	*9MPV050	0.98	0.94
EA*4X36*17A*	*9MX*0601714A**	1.02	0.94	EN(A,D)4X24*17**	MV08**14C*	1.02	0.92

COOLING Multiplying Factors for other Indoor Combinations

Indoor Cooling Model	Furnace Model	CAPACITY (MBh)	Power (AMPS)	Indoor Cooling Model	Furnace Model	CAPACITY (MBh)	Power (AMPS)
EA*4X36*17A*	*9MV*0401410A**	1.02	0.98	EN(A,D)4X24*17**	MV12**17C*	1.02	0.90
EA*4X36*17A*	*9MV*0601714A**	1.02	0.94	EN(A,D)4X30*14**	*8MX*0451408**	1.00	0.92
EA*4X36*17A*	*9MV*0801716A**	1.02	0.94	EN(A,D)4X30*14**	*8MV*0701412**	1.00	0.92
EA*4X36*17A*	*9MA*0601714A**	1.02	0.94	EN(A,D)4X30*14**	*9MX*0401410A**	1.02	1.02
EA*4X36*17A*	*9MA*0801714A**	1.02	0.94	EN(A,D)4X30*14**	*9MV*0401410A**	1.02	0.98
EA*4X36*17A*	-	1.02	1.00	EN(A,D)4X30*14**	-	1.00	1.00
EA*4X36*17A*	MV08**14C*	1.02	0.89	EN(A,D)4X30*14**	MV08**14C*	1.02	0.90
EA*4X36*17A*	MV12**17C*	1.02	0.89	EN(A,D)4X30*17**	*8MX*0451408**	1.00	0.92
EA*4X36*21A*	*9MX*0601714A**	1.02	0.94	EN(A,D)4X30*17**	*8MV*0701412**	1.00	0.92
EA*4X36*21A*	*9MV*0601714A**	1.02	0.94	EN(A,D)4X30*17**	*8MV*0901716**	1.00	0.92
EA*4X36*21A*	*9MV*0801716A**	1.02	0.92	EN(A,D)4X30*17**	*9MX*0401410A**	1.02	1.02
EA*4X36*21A*	*9MA*0601714A**	1.02	0.94	EN(A,D)4X30*17**	*9MX*0601714A**	1.02	0.94
EA*4X36*21A*	*9MA*0801714A**	1.02	0.94	EN(A,D)4X30*17**	*9MV*0401410A**	1.02	0.98
EA*4X36*21A*	*9MA*0802120A**	1.03	0.91	EN(A,D)4X30*17**	*9MV*0601714A**	1.02	0.94
EA*4X36*21A*	*9MA*1002122A**	1.03	0.91	EN(A,D)4X30*17**	*9MV*0801716A**	1.02	0.94
EA*4X36*21A*	*9MA*0602120A**	1.03	0.91	EN(A,D)4X30*17**	*9MA*0601714A**	1.02	0.94
EA*4X36*21A*	*9MV*1002116A**	1.02	0.92	EN(A,D)4X30*17**	*9MA*0801714A**	1.02	0.94
EA*4X36*21A*	*9MA*1002120A**	1.02	0.94	EN(A,D)4X30*17**	NOMV106D12*	1.00	0.92
EA*4X36*21A*	-	1.02	1.00	EN(A,D)4X30*17**	*9MVX040	1.00	0.96
EA*4X36*21A*	MV12**17C*	1.02	0.89	EN(A,D)4X30*17**	*9MVX060	1.02	0.98
ED*4X24B**	*9MX*0401410A**	1.02	1.02	EN(A,D)4X30*17**	OLV098A12A	1.00	0.92
ED*4X24B**	*9MV*0401410A**	1.01	0.97	EN(A,D)4X30*17**	OMV098J12A	1.00	0.92
ED*4X24B**	-	0.99	1.03	EN(A,D)4X30*17**	OMV112K14A	1.00	0.92
ED*4X24B**	*8MPV050	0.99	0.95	EN(A,D)4X30*17**	-	1.00	1.00
ED*4X24B**	MV08B15**B*	0.99	0.92	EN(A,D)4X30*17**	*8MPV050	1.00	0.96
ED*4X24F**	*9MX*0601714A**	1.02	0.94	EN(A,D)4X30*17**	MV08B15**B*	1.00	0.92
ED*4X24F**	*9MV*0601714A**	1.02	0.94	EN(A,D)4X30*17**	*9MPV050	1.00	0.96
ED*4X24F**	*9MV*0801716A**	1.02	0.94	EN(A,D)4X30*17**	*9MPV075	1.01	0.97
ED*4X24F**	*9MV*0802120A**	1.02	0.94	EN(A,D)4X30*17**	MV08**14C*	1.02	0.90
ED*4X24F**	*9MV*1002120A**	1.03	0.95	EN(A,D)4X30*17**	MV12**17C*	1.02	0.89

COOLING Multiplying Factors for other Indoor Combinations

Indoor Cooling Model	Furnace Model	CAPACITY (MBh)	Power (AMPS)	Indoor Cooling Model	Furnace Model	CAPACITY (MBh)	Power (AMPS)
ED*4X24F**	*9MA*0601714A**	1.02	0.96	EN(A,D)4X31*17**	*8MX*0451408**	1.00	0.92
ED*4X24F**	*9MA*0801714A**	1.01	0.93	EN(A,D)4X31*17**	*8MV*0701412**	1.00	0.92
ED*4X24F**	*9MA*0802120A**	1.02	0.94	EN(A,D)4X31*17**	*8MV*0901716**	1.00	0.92
ED*4X24F**	*9MA*1002122A**	1.03	0.95	EN(A,D)4X31*17**	*9MX*0401410A**	1.02	0.98
ED*4X24F**	*9MA*0602120A**	1.02	0.94	EN(A,D)4X31*17**	*9MX*0601714A**	1.02	0.92
ED*4X24F**	*9MVX040	0.99	0.95	EN(A,D)4X31*17**	*9MV*0401410A**	1.02	0.96
ED*4X24F**	*9MVX060	0.99	0.95	EN(A,D)4X31*17**	*9MV*0601714A**	1.02	0.92
ED*4X24F**	*9MV*1002116A**	1.02	0.94	EN(A,D)4X31*17**	*9MV*0801716A**	1.02	0.92
ED*4X24F**	*9MA*1002120A**	1.02	0.94	EN(A,D)4X31*17**	*9MA*0601714A**	1.02	0.94
ED*4X24F**	OLV098A12A	0.99	0.92	EN(A,D)4X31*17**	*9MA*0801714A**	1.02	0.92
ED*4X24F**	OMV098J12A	0.99	0.92	EN(A,D)4X31*17**	NOMV106D12*	1.00	0.92
ED*4X24F**	OMV112K14A	0.99	0.92	EN(A,D)4X31*17**	*9MVX040	1.02	0.94
ED*4X24F**	-	0.99	1.03	EN(A,D)4X31*17**	*9MVX060	1.02	0.94
ED*4X24F**	*8MPV075	0.99	0.95	EN(A,D)4X31*17**	OLV098A12A	1.02	0.94
ED*4X24F**	*9MPV050	0.99	0.95	EN(A,D)4X31*17**	OMV098J12A	1.02	0.94
ED*4X24F**	*9MPV075	0.99	0.95	EN(A,D)4X31*17**	OMV112K14A	1.02	0.94
ED*4X24F**	MV12F19**B*	0.99	0.92	EN(A,D)4X31*17**	*8MPV050	1.00	0.92
ED*4X30B**	*9MX*0401410A**	1.02	1.02	EN(A,D)4X31*17**	MV08B15**B*	1.00	0.92
ED*4X30B**	*9MV*0401410A**	1.02	0.98	EN(A,D)4X31*17**	*9MPV050	1.02	0.94
ED*4X30B**	-	1.00	1.04	EN(A,D)4X31*17**	*9MPV075	1.02	0.94
ED*4X30B**	*8MPV050	1.00	0.96	EN(A,D)4X31*17**	MV08**14C*	1.02	0.89
ED*4X30B**	MV08B15**B*	1.00	0.92	EN(A,D)4X31*17**	MV12**17C*	1.02	0.87
ED*4X30F**	*9MX*0601714A**	1.02	0.94	EN(A,D)4X36*21**	*9MX*0601714A**	1.02	0.94
ED*4X30F**	*9MV*0601714A**	1.02	0.94	EN(A,D)4X36*21**	*9MV*0601714A**	1.02	0.94
ED*4X30F**	*9MV*0801716A**	1.02	0.94	EN(A,D)4X36*21**	*9MV*0801716A**	1.02	0.94
ED*4X30F**	*9MV*0802120A**	1.03	0.91	EN(A,D)4X36*21**	*9MV*0802120A**	1.03	0.91
ED*4X30F**	*9MV*1002120A**	1.03	0.92	EN(A,D)4X36*21**	*9MV*1002120A**	1.03	0.92
ED*4X30F**	*9MA*0601714A**	1.02	0.94	EN(A,D)4X36*21**	*9MA*0601714A**	1.02	0.94
ED*4X30F**	*9MA*0801714A**	1.02	0.94	EN(A,D)4X36*21**	*9MA*0801714A**	1.02	0.94
ED*4X30F**	*9MA*0802120A**	1.03	0.91	EN(A,D)4X36*21**	*9MA*0802120A**	1.03	0.91

COOLING Multiplying Factors for other Indoor Combinations

Indoor Cooling Model	Furnace Model	CAPACITY (MBh)	Power (AMPS)	Indoor Cooling Model	Furnace Model	CAPACITY (MBh)	Power (AMPS)
ED*4X30F**	*9MA*1002122A**	1.03	0.91	EN(A,D)4X36*21**	*9MA*1002122A**	1.03	0.91
ED*4X30F**	*9MA*0602120A**	1.02	0.94	EN(A,D)4X36*21**	*9MA*0602120A**	1.02	0.94
ED*4X30F**	*9MVBX040	1.00	0.96	EN(A,D)4X36*21**	*9MVB*1002116A**	1.02	0.94
ED*4X30F**	*9MVBX060	1.00	0.96	EN(A,D)4X36*21**	*9MA*1002120A**	1.02	0.94
ED*4X30F**	*9MV*1002116A**	1.02	0.94	EN(A,D)4X36*21**	MV12**17C*	1.02	0.89
ED*4X30F**	*9MA*1002120A**	1.02	0.94	EN(A,D)4X37*17**	MV08**14C*	1.02	0.87
ED*4X30F**	OLV098A12A	1.00	0.92	EN(A,D)4X37*17**	MV12**17C*	1.02	0.87
ED*4X30F**	OMV098J12A	1.00	0.92	EN(A,D,W)4X36*17**	*9MX*0401410A**	1.02	1.02
ED*4X30F**	OMV112K14A	0.99	0.92	EN(A,D,W)4X36*17**	*9MX*0601714A**	1.02	0.94
ED*4X30F**	-	1.00	1.04	EN(A,D,W)4X36*17**	*9MV*0401410A**	1.02	0.98
ED*4X30F**	*8MPV075	1.00	0.96	EN(A,D,W)4X36*17**	*9MV*0601714A**	1.02	0.94
ED*4X30F**	*9MPV050	1.00	0.96	EN(A,D,W)4X36*17**	*9MV*0801716A**	1.02	0.94
ED*4X30F**	*9MPV075	1.00	0.96	EN(A,D,W)4X36*17**	*9MA*0601714A**	1.02	0.94
ED*4X30F**	MV12F19**B*	1.00	0.92	EN(A,D,W)4X36*17**	*9MA*0801714A**	1.02	0.94
ED*4X36B**	*8MV*0701412**	1.01	0.93	EN(A,D,W)4X36*17**	-	1.02	1.02
ED*4X36B**	*9MX*0401410A**	1.02	1.02	EN(A,D,W)4X36*17**	MV08**14C*	1.02	0.90
ED*4X36B**	*9MV*0401410A**	1.02	0.98	EN(A,D,W)4X36*17**	MV12**17C*	1.02	0.89
ED*4X36B**	-	1.01	1.01	ENH4X24*17**	*8MX*0451408**	0.99	0.95
ED*4X36B**	*8MPV050	1.01	0.97	ENH4X24*17**	*8MV*0701412**	0.99	0.92
ED*4X36B**	MV08B15**B*	1.01	0.93	ENH4X24*17**	*8MV*0901716**	0.99	0.92
ED*4X36F**	*8MX*0701716**	1.01	0.97	ENH4X24*17**	*8MV*1102120**	0.99	0.92
ED*4X36F**	*8MV*0901716**	1.01	0.93	ENH4X24*17**	*8MV*1352422**	0.99	0.92
ED*4X36F**	*9MX*0601714A**	1.02	0.94	ENH4X24*17**	*9MX*0401410A**	1.02	1.02
ED*4X36F**	*9MV*0601714A**	1.02	0.94	ENH4X24*17**	*9MX*0601714A**	1.02	0.96
ED*4X36F**	*9MV*0801716A**	1.02	0.94	ENH4X24*17**	*9MV*0401410A**	1.01	0.97
ED*4X36F**	*9MV*0802120A**	1.03	0.91	ENH4X24*17**	*9MV*0601714A**	1.01	0.95
ED*4X36F**	*9MV*1002120A**	1.04	0.91	ENH4X24*17**	*9MV*0801716A**	1.02	0.94
ED*4X36F**	*9MA*0601714A**	1.02	0.94	ENH4X24*17**	*9MV*1202422A**	1.02	0.94
ED*4X36F**	*9MA*0801714A**	1.02	0.94	ENH4X24*17**	*9MA*0601714A**	1.02	0.96
ED*4X36F**	*9MA*0802120A**	1.03	0.91	ENH4X24*17**	*9MA*0801714A**	1.01	0.95

COOLING Multiplying Factors for other Indoor Combinations

Indoor Cooling Model	Furnace Model	CAPACITY (MBh)	Power (AMPS)	Indoor Cooling Model	Furnace Model	CAPACITY (MBh)	Power (AMPS)
ED*4X36F**	*9MA*1002122A**	1.03	0.91	ENH4X24*17**	*9MA*1202422A**	1.02	0.94
ED*4X36F**	*9MA*0602120A**	1.03	0.95	ENH4X24*17**	NOMV106D12*	0.99	0.95
ED*4X36F**	NOMV106D12*	1.01	0.93	ENH4X24*17**	*9MVX040	0.99	0.95
ED*4X36F**	*9MVX040	1.01	0.97	ENH4X24*17**	*9MVX040	0.99	0.95
ED*4X36F**	*9MVX060	1.01	0.97	ENH4X24*17**	*9MVX060	0.99	0.95
ED*4X36F**	*9MV*1002116A**	1.02	0.94	ENH4X24*17**	*9MVX060	0.99	0.95
ED*4X36F**	*9MA*1002120A**	1.02	0.94	ENH4X24*17**	*9MVX080	0.99	0.95
ED*4X36F**	-	1.01	1.01	ENH4X24*17**	*9MVX080	0.99	0.95
ED*4X36F**	*8MPV050	1.01	0.97	ENH4X24*17**	*9MVX100	0.99	0.95
ED*4X36F**	*8MPV075	1.01	0.93	ENH4X24*17**	*9MVX100	0.99	0.95
ED*4X36F**	*9MPV050	1.01	0.97	ENH4X24*17**	*9MV*1002116A**	1.00	0.94
ED*4X36F**	*9MPV075	1.01	0.97	ENH4X24*17**	*9MA*1002120A**	1.02	0.94
ED*4X36F**	MV08B15**B*	1.01	0.93	ENH4X24*17**	OLV098A12A	0.99	0.95
ED*4X36F**	MV12F19**B*	1.01	0.93	ENH4X24*17**	OMV098J12A	0.99	0.95
ED*4X36J**	*8MX*0902116**	1.01	0.93	ENH4X24*17**	OMV112K14A	0.99	0.92
ED*4X36J**	*8MV*1102120**	1.01	0.93	ENH4X24*17**	-	0.99	1.03
ED*4X36J**	*9MV*0802120A**	1.04	0.91	ENH4X24*17**	*8MPV050	0.99	0.95
ED*4X36J**	*9MV*1002120A**	1.05	0.92	ENH4X24*17**	*8MPV075	0.99	0.95
ED*4X36J**	*9MV*1202422A**	1.02	0.92	ENH4X24*17**	*8MPV100	0.99	0.92
ED*4X36J**	*9MA*0802120A**	1.03	0.91	ENH4X24*17**	*8MPV125	0.99	0.92
ED*4X36J**	*9MA*1002122A**	1.03	0.91	ENH4X24*17**	*9MPV050	0.98	0.94
ED*4X36J**	*9MA*1202422A**	1.02	0.92	ENH4X24*17**	*9MPV075	0.99	0.95
ED*4X36J**	*9MA*0602120A**	1.03	0.91	ENH4X24*17**	*9MPV100	1.00	0.96
ED*4X36J**	*9MVX040	1.01	0.97	ENH4X24*17**	*9MPV125	1.00	0.96
ED*4X36J**	*9MVX060	1.01	0.93	ENH4X24*17**	MV08B15**B*	0.99	0.92
ED*4X36J**	*9MVX080	1.01	0.93	ENH4X24*17**	MV12F19**B*	0.99	0.92
ED*4X36J**	*9MV*1002116A**	1.02	0.92	ENH4X24*17**	*9MPV050	0.98	0.94
ED*4X36J**	*9MA*1002120A**	1.02	0.94	ENH4X24*17**	*9MPV075	0.99	0.95
ED*4X36J**	-	1.01	1.01	ENH4X24*17**	*9MPV100	1.00	0.96
ED*4X36J**	*8MPV075	1.01	0.93	ENH4X24*17**	*9MPV125	1.00	0.96

COOLING Multiplying Factors for other Indoor Combinations

Indoor Cooling Model	Furnace Model	CAPACITY (MBh)	Power (AMPS)	Indoor Cooling Model	Furnace Model	CAPACITY (MBh)	Power (AMPS)
ED*4X36J**	*8MPV100	1.01	0.93	ENH4X24*17**	MV08**14C*	1.02	0.92
ED*4X36J**	*8MPV125	1.01	0.93	ENH4X24*17**	MV12**17C*	1.02	0.90
ED*4X36J**	*9MPV050	1.01	0.97	ENH4X30*17**	*8MX*0451408**	1.00	0.92
ED*4X36J**	*9MPV075	1.01	0.97	ENH4X30*17**	*8MV*0701412**	1.00	0.92
ED*4X36J**	*9MPV100	1.01	0.93	ENH4X30*17**	*8MV*0901716**	1.00	0.92
ED*4X36J**	MV12F19**B*	1.01	0.93	ENH4X30*17**	*8MV*1102120**	1.00	0.92
ED*4X42F**	*8MX*0701716**	1.02	0.94	ENH4X30*17**	*8MV*1352422**	1.00	0.92
ED*4X42F**	*8MV*0901716**	1.02	0.94	ENH4X30*17**	*9MX*0401410A**	1.02	1.02
ED*4X42F**	NOMV106D12*	1.02	0.94	ENH4X30*17**	*9MX*0601714A**	1.02	0.94
ED*4X42F**	*9MVX040	1.02	0.94	ENH4X30*17**	*9MV*0401410A**	1.02	0.98
ED*4X42F**	*9MVX060	1.02	0.94	ENH4X30*17**	*9MV*0601714A**	1.02	0.94
ED*4X42F**	-	1.02	1.02	ENH4X30*17**	*9MV*0801716A**	1.02	0.94
ED*4X42F**	*8MPV050	1.02	0.98	ENH4X30*17**	*9MV*1202422A**	1.02	0.94
ED*4X42F**	*8MPV075	1.02	0.94	ENH4X30*17**	*9MA*0601714A**	1.02	0.94
ED*4X42F**	*9MPV050	1.02	0.94	ENH4X30*17**	*9MA*0801714A**	1.02	0.94
ED*4X42F**	*9MPV075	1.02	0.94	ENH4X30*17**	*9MA*1202422A**	1.02	0.94
ED*4X42F**	MV08B15**B*	1.02	0.94	ENH4X30*17**	NOMV106D12*	1.00	0.92
ED*4X42F**	MV12F19**B*	1.02	0.94	ENH4X30*17**	*9MVX040	1.00	0.96
ED*4X42J**	*8MX*0902116**	1.02	0.94	ENH4X30*17**	*9MVX040	1.00	0.96
ED*4X42J**	*8MV*1102120**	1.02	0.94	ENH4X30*17**	*9MVX060	1.00	0.96
ED*4X42J**	*9MVX040	1.02	0.94	ENH4X30*17**	*9MVX060	1.00	0.96
ED*4X42J**	*9MVX060	1.02	0.94	ENH4X30*17**	*9MVX080	1.00	0.92
ED*4X42J**	*9MVX080	1.02	0.94	ENH4X30*17**	*9MVX080	1.00	0.92
ED*4X42J**	-	1.02	1.02	ENH4X30*17**	*9MVX100	1.00	0.92
ED*4X42J**	*8MPV075	1.02	0.94	ENH4X30*17**	*9MVX100	1.00	0.92
ED*4X42J**	*8MPV100	1.02	0.87	ENH4X30*17**	*9MV*1002116A**	1.02	0.94
ED*4X42J**	*8MPV125	1.02	0.94	ENH4X30*17**	*9MA*1002120A**	1.02	0.94
ED*4X42J**	*9MPV050	1.02	0.94	ENH4X30*17**	OLV098A12A	1.00	0.92
ED*4X42J**	*9MPV075	1.02	0.94	ENH4X30*17**	OMV098J12A	1.00	0.92
ED*4X42J**	*9MPV100	1.02	0.94	ENH4X30*17**	OMV112K14A	1.00	0.92

COOLING Multiplying Factors for other Indoor Combinations

Indoor Cooling Model	Furnace Model	CAPACITY (MBh)	Power (AMPS)	Indoor Cooling Model	Furnace Model	CAPACITY (MBh)	Power (AMPS)
ED*4X42J**	MV12F19**B*	1.02	0.94	ENH4X30*17**	-	1.00	1.00
ED*4X42L**	*8MX*0902116**	1.02	0.94	ENH4X30*17**	*8MPV050	1.00	0.96
ED*4X42L**	*8MV*1102120**	1.02	0.94	ENH4X30*17**	*8MPV075	1.00	0.92
ED*4X42L**	*8MV*1352422**	1.02	0.94	ENH4X30*17**	*8MPV100	1.00	0.92
ED*4X42L**	*9MVX080	1.02	0.94	ENH4X30*17**	*8MPV125	1.00	0.92
ED*4X42L**	*9MVX100	1.02	0.94	ENH4X30*17**	*9MPV050	1.00	0.96
ED*4X42L**	-	1.02	1.02	ENH4X30*17**	*9MPV075	1.01	0.97
ED*4X42L**	*8MPV100	1.02	0.94	ENH4X30*17**	*9MPV100	1.02	0.94
ED*4X42L**	*8MPV125	1.02	0.94	ENH4X30*17**	*9MPV125	1.02	0.94
ED*4X42L**	*9MPV100	1.02	0.94	ENH4X30*17**	MV08B15**B*	1.00	0.92
ED*4X42L**	*9MPV125	1.02	0.94	ENH4X30*17**	MV12F19**B*	1.00	0.92
EHD4X24A**	*8MX*0451408**	0.99	0.92	ENH4X30*17**	*9MPV050	1.00	0.96
EHD4X24A**	*8MV*0701412**	0.99	0.92	ENH4X30*17**	*9MPV075	1.01	0.97
EHD4X24A**	*8MV*0901716**	0.99	0.92	ENH4X30*17**	*9MPV100	1.02	0.94
EHD4X24A**	*8MV*1102120**	0.99	0.92	ENH4X30*17**	*9MPV125	1.02	0.94
EHD4X24A**	*8MV*1352422**	0.99	0.92	ENH4X30*17**	MV08**14C*	1.02	0.90
EHD4X24A**	*9MX*0401410A**	1.02	1.02	ENH4X30*17**	MV12**17C*	1.02	0.89
EHD4X24A**	*9MX*0601714A**	1.02	0.94	ENH4X31*17**	*8MX*0451408**	1.00	0.92
EHD4X24A**	*9MV*0401410A**	1.02	0.98	ENH4X31*17**	*8MX*0902116**	1.04	0.96
EHD4X24A**	*9MV*0601714A**	1.02	0.96	ENH4X31*17**	*8MV*0701412**	1.00	0.92
EHD4X24A**	*9MV*0801716A**	1.02	0.94	ENH4X31*17**	*8MV*0901716**	1.00	0.92
EHD4X24A**	*9MV*0802120A**	1.02	0.94	ENH4X31*17**	*8MV*1102120**	1.00	0.92
EHD4X24A**	*9MV*1002120A**	1.02	0.94	ENH4X31*17**	*8MV*1352422**	1.00	0.92
EHD4X24A**	*9MV*1202422A**	1.02	0.94	ENH4X31*17**	*9MX*0401410A**	1.02	0.98
EHD4X24A**	*9MA*0601714A**	1.02	0.96	ENH4X31*17**	*9MX*0601714A**	1.02	0.92
EHD4X24A**	*9MA*0801714A**	1.02	0.94	ENH4X31*17**	*9MV*0401410A**	1.02	0.96
EHD4X24A**	*9MA*0802120A**	1.03	0.95	ENH4X31*17**	*9MV*0601714A**	1.02	0.92
EHD4X24A**	*9MA*1002122A**	1.03	0.95	ENH4X31*17**	*9MV*0801716A**	1.02	0.92
EHD4X24A**	*9MA*1202422A**	1.02	0.94	ENH4X31*17**	*9MV*1202422A**	1.02	0.92
EHD4X24A**	*9MA*0602120A**	1.03	0.95	ENH4X31*17**	*9MA*0601714A**	1.02	0.94

COOLING Multiplying Factors for other Indoor Combinations

Indoor Cooling Model	Furnace Model	CAPACITY (MBh)	Power (AMPS)	Indoor Cooling Model	Furnace Model	CAPACITY (MBh)	Power (AMPS)
EHD4X24A**	NOMV106D12*	0.99	0.92	ENH4X31*17**	*9MA*0801714A**	1.02	0.92
EHD4X24A**	*9MVX040	0.99	0.95	ENH4X31*17**	*9MA*1202422A**	1.02	0.92
EHD4X24A**	*9MVX060	0.99	0.95	ENH4X31*17**	NOMV106D12*	1.00	0.92
EHD4X24A**	*9MVX080	0.99	0.92	ENH4X31*17**	*9MVX040	1.00	0.92
EHD4X24A**	*9MVX100	0.99	0.92	ENH4X31*17**	*9MVX040	1.00	0.92
EHD4X24A**	*9MV*1002116A**	1.01	0.93	ENH4X31*17**	*9MVX060	1.00	0.92
EHD4X24A**	*9MA*1002120A**	1.02	0.94	ENH4X31*17**	*9MVX060	1.00	0.92
EHD4X24A**	OLV098A12A	1.00	0.92	ENH4X31*17**	*9MVX080	1.00	0.92
EHD4X24A**	OMV098J12A	1.00	0.96	ENH4X31*17**	*9MVX080	1.00	0.92
EHD4X24A**	OMV112K14A	1.00	0.92	ENH4X31*17**	*9MVX100	1.00	0.92
EHD4X24A**	-	0.99	1.03	ENH4X31*17**	*9MVX100	1.00	0.92
EHD4X24A**	*8MPV050	0.99	0.95	ENH4X31*17**	*9MV*1002116A**	1.02	0.92
EHD4X24A**	*8MPV075	0.99	0.92	ENH4X31*17**	*9MA*1002120A**	1.02	0.92
EHD4X24A**	*8MPV100	0.99	0.92	ENH4X31*17**	OLV098A12A	1.02	0.94
EHD4X24A**	*8MPV125	0.99	0.92	ENH4X31*17**	OMV098J12A	1.02	0.94
EHD4X24A**	*9MPV050	0.99	0.95	ENH4X31*17**	OMV112K14A	1.02	0.94
EHD4X24A**	*9MPV075	0.99	0.95	ENH4X31*17**	-	1.00	1.00
EHD4X24A**	*9MPV100	0.99	0.95	ENH4X31*17**	*8MPV050	1.00	0.92
EHD4X24A**	*9MPV125	0.99	0.92	ENH4X31*17**	*8MPV075	1.00	0.92
EHD4X24A**	MV08B15**B*	0.99	0.92	ENH4X31*17**	*8MPV100	1.00	0.92
EHD4X24A**	MV12F19**B*	0.99	0.92	ENH4X31*17**	*8MPV125	1.00	0.92
EHD4X24A**	MV08**14C*	1.02	0.90	ENH4X31*17**	*9MPV050	1.02	0.94
EHD4X24A**	MV12**17C*	1.02	0.90	ENH4X31*17**	*9MPV075	1.02	0.94
EHD4X30A**	*8MX*0451408**	1.00	0.92	ENH4X31*17**	*9MPV100	1.02	0.94
EHD4X30A**	*8MV*0701412**	1.00	0.92	ENH4X31*17**	*9MPV125	1.02	0.94
EHD4X30A**	*8MV*0901716**	1.00	0.92	ENH4X31*17**	MV08B15**B*	1.00	0.92
EHD4X30A**	*8MV*1102120**	1.00	0.92	ENH4X31*17**	MV12F19**B*	1.00	0.92
EHD4X30A**	*8MV*1352422**	1.00	0.92	ENH4X31*17**	*9MPV050	1.02	0.94
EHD4X30A**	*9MX*0401410A**	1.02	0.98	ENH4X31*17**	*9MPV075	1.02	0.94
EHD4X30A**	*9MX*0601714A**	1.02	0.94	ENH4X31*17**	*9MPV100	1.02	0.94

COOLING Multiplying Factors for other Indoor Combinations

Indoor Cooling Model	Furnace Model	CAPACITY (MBh)	Power (AMPS)	Indoor Cooling Model	Furnace Model	CAPACITY (MBh)	Power (AMPS)
EHD4X30A**	*9MV*0401410A**	1.02	0.98	ENH4X31*17**	*9MPV125	1.02	0.94
EHD4X30A**	*9MV*0601714A**	1.02	0.94	ENH4X31*17**	MV08**14C*	1.02	0.89
EHD4X30A**	*9MV*0801716A**	1.02	0.94	ENH4X31*17**	MV12**17C*	1.02	0.87
EHD4X30A**	*9MV*0802120A**	1.03	0.91	ENH4X36*17**	*9MX*0401410A**	1.02	1.02
EHD4X30A**	*9MV*1002120A**	1.03	0.92	ENH4X36*17**	*9MX*0601714A**	1.02	0.94
EHD4X30A**	*9MV*1202422A**	1.02	0.94	ENH4X36*17**	*9MV*0401410A**	1.02	0.98
EHD4X30A**	*9MA*0601714A**	1.02	0.94	ENH4X36*17**	*9MV*0601714A**	1.02	0.94
EHD4X30A**	*9MA*0801714A**	1.02	0.94	ENH4X36*17**	*9MV*0801716A**	1.02	0.94
EHD4X30A**	*9MA*0802120A**	1.03	0.92	ENH4X36*17**	*9MV*1202422A**	1.02	0.94
EHD4X30A**	*9MA*1002122A**	1.03	0.92	ENH4X36*17**	*9MA*0601714A**	1.02	0.94
EHD4X30A**	*9MA*1202422A**	1.02	0.94	ENH4X36*17**	*9MA*0801714A**	1.02	0.94
EHD4X30A**	*9MA*0602120A**	1.03	0.95	ENH4X36*17**	*9MA*1202422A**	1.02	0.94
EHD4X30A**	NOMV106D12*	1.00	0.92	ENH4X36*17**	*9MV*1002116A**	1.02	0.94
EHD4X30A**	*9MVX040	1.00	0.96	ENH4X36*17**	*9MA*1002120A**	1.02	0.94
EHD4X30A**	*9MVX060	1.00	0.96	ENH4X36*17**	MV08**14C*	1.02	0.90
EHD4X30A**	*9MVX080	1.00	0.92	ENH4X36*17**	MV12**17C*	1.02	0.89
EHD4X30A**	*9MVX100	1.00	0.92	FEA4X24**A*	-	0.99	0.95
EHD4X30A**	*9MV*1002116A**	1.02	0.94	FEA4X30**A*	-	1.00	0.96
EHD4X30A**	*9MA*1002120A**	1.02	0.94	FEA4X36**A*	-	1.01	0.97
EHD4X30A**	OLV098A12A	1.00	0.92	FEM4P24**A*	-	0.99	0.95
EHD4X30A**	OMV098J12A	1.00	0.92	FEM4P30**A*	-	1.00	0.92
EHD4X30A**	OMV112K14A	1.00	0.92	FEM4P36**A*	-	1.01	1.05
EHD4X30A**	-	1.00	1.04	FEM4X24****	-	0.99	0.95
EHD4X30A**	*8MPV050	1.00	0.96	FEM4X30****	-	1.00	0.92
EHD4X30A**	*8MPV075	1.00	0.92	FS(M,U)4P24**A*	-	0.99	0.95
EHD4X30A**	*8MPV100	1.00	0.92	FS(M,U)4P30**A*	-	1.00	0.96
EHD4X30A**	*8MPV125	1.00	0.92	FS(M,U)4X24****	-	0.99	1.03
EHD4X30A**	*9MPV050	1.00	0.96	FS(M,U)4X30****	-	1.00	1.00
EHD4X30A**	*9MPV075	1.00	0.96	FSA4X24**A*	-	0.99	1.03
EHD4X30A**	*9MPV100	1.00	0.92	FSA4X30**A*	-	1.00	1.04

COOLING Multiplying Factors for other Indoor Combinations

Indoor Cooling Model	Furnace Model	CAPACITY (MBh)	Power (AMPS)	Indoor Cooling Model	Furnace Model	CAPACITY (MBh)	Power (AMPS)
EHD4X30A**	*9MPV125	1.00	0.92	FVM4X24***	-	1.01	0.93
EHD4X30A**	MV08B15**B*	1.00	0.92	FVM4X36***	-	1.03	0.95
EHD4X30A**	MV12F19**B*	1.00	0.92	FXM4X24**A*	-	1.01	0.93
EHD4X30A**	MV08**14C*	1.02	0.89	FXM4X30**A*	-	1.02	0.98
EHD4X30A**	MV12**17C*	1.02	0.89	FXM4X36**A*	-	1.03	0.95
NXA630							
*EN(A,D)4X31*17**	-	1.00	1.00	EN(A,D)4X36*21**	*9MVX040	1.00	0.96
EA*4X30*14A*	*8MV*0701412**	0.99	0.93	ENH4X31*17**	*9MVX100	0.99	0.92
EA*4X30*17A*	*8MX*0701716**	1.00	0.94	EN(A,D)4X37*17**	*9MVX060	1.01	0.97
EA*4X30*17A*	*8MV*0701412**	0.99	0.91	ENH4X36*17**	*9MVX100	1.01	0.97
EA*4X30*17A*	*8MV*0901716**	0.99	0.92	EHD4X42A**	*9MV*1002116A**	1.02	0.94
EA*4X30*17A*	*9MX*0601714A**	0.99	0.94	ENH4X30*17**	OLV098A12A	0.99	0.95
EA*4X30*17A*	*9MX*0801716A**	1.01	0.95	ENH4X30*17**	OMV098J12A	0.99	0.95
EA*4X30*17A*	*9MV*0601714A**	0.99	0.94	EA*4X36*14A*	MV08**14C*	0.99	0.90
EA*4X30*17A*	*9MV*0801716A**	0.99	0.94	ED*4X36F**	*8MPV075	1.00	0.96
EA*4X30*17A*	*9MA*0601714A**	0.99	0.95	EHD4X30A**	*8MPV125	0.99	0.95
EA*4X30*17A*	*9MA*0801714A**	0.99	0.94	EHD4X36A**	MV12**17C*	1.01	0.90
EA*4X36*14A*	*8MV*0701412**	0.99	0.92	ENH4X36*17**	*9MVX100	1.01	0.97
EA*4X36*17A*	*8MX*0701716**	1.00	0.92	EN(A,D,W)4X36*17**	*9MVX060	1.00	0.96
EA*4X36*17A*	*8MV*0701412**	0.99	0.92	EA*4X36*21A*	*9MV*1002116A**	1.00	0.94
EA*4X36*17A*	*8MV*0901716**	0.99	0.92	EN(A,D)4X36*21**	*9MV*1002116A**	0.99	0.94
EA*4X36*17A*	*9MX*0601714A**	1.00	0.94	ENH4X31*17**	OLV098A12A	1.01	0.97
EA*4X36*17A*	*9MX*0801716A**	1.01	0.95	ENH4X31*17**	OMV098J12A	1.01	0.97
EA*4X36*17A*	*9MV*0601714A**	0.99	0.94	EA*4X36*17A*	-	1.00	1.00
EA*4X36*17A*	*9MV*0801716A**	1.00	0.94	ED*4X36F**	*9MPV050	1.00	0.96
EA*4X36*17A*	*9MA*0601714A**	0.99	0.94	EHD4X30A**	*9MPV050	0.99	0.95
EA*4X36*17A*	*9MA*0801714A**	1.00	0.94	EHD4X42A**	MV08**14C*	1.01	0.90
EA*4X36*21A*	*8MX*0701716**	1.01	0.93	ENH4X30*17**	*9MVX060	0.99	0.95
EA*4X36*21A*	*8MX*0902116**	1.01	0.93	EN(A,D)4X36*21**	*9MVX080	1.01	0.97
EA*4X36*21A*	*8MV*0901716**	0.99	0.92	EN(A,D,W)4X42*21**	*9MV*1002116A**	1.01	0.95

COOLING Multiplying Factors for other Indoor Combinations

Indoor Cooling Model	Furnace Model	CAPACITY (MBh)	Power (AMPS)	Indoor Cooling Model	Furnace Model	CAPACITY (MBh)	Power (AMPS)
EA*4X36*21A*	*8MV*1102120**	1.00	0.92	EHD4X30A**	*9MA*1002120A**	1.01	0.95
EA*4X36*21A*	*9MX*0601714A**	1.01	0.95	ENH4X36*17**	OLV098A12A	0.99	0.95
EA*4X36*21A*	*9MX*0801716A**	1.01	0.96	ENH4X36*17**	OMV098J12A	0.99	0.95
EA*4X36*21A*	*9MV*0601714A**	1.00	0.94	EA*4X36*17A*	MV08**14C*	0.99	0.90
EA*4X36*21A*	*9MV*0801716A**	1.00	0.94	ED*4X36F**	*9MPV075	1.00	0.96
EA*4X36*21A*	*9MV*0802120A**	1.00	0.92	ED*4X42J**	*9MPV100	1.01	0.97
EA*4X36*21A*	*9MV*1002120A**	1.00	0.92	ED*4X48F**	*9MPV050	1.01	0.97
EA*4X36*21A*	*9MA*0601714A**	0.99	0.94	EHD4X30A**	*9MPV075	0.99	0.95
EA*4X36*21A*	*9MA*0801714A**	1.00	0.94	EHD4X42A**	MV12**17C*	1.02	0.89
EA*4X36*21A*	*9MA*0802120A**	1.00	0.92	EN(A,D)4X36*21**	*9MPV050	1.00	0.96
EA*4X36*21A*	*9MA*1002122A**	1.01	0.92	EN(A,D)4X37*17**	MV12**17C*	1.03	0.90
EA*4X36*21A*	*9MA*0602120A**	1.00	0.92	ENH4X30*17**	*9MPV075	0.99	0.95
EA*4X42*21A*	*9MX*0601714A**	1.01	0.95	ED*4X30F**	OLV112A16A	1.00	0.96
EA*4X42*21A*	*9MX*0801716A**	1.01	0.96	ED*4X30F**	OMV112K14A	1.00	0.96
EA*4X42*21A*	*9MV*0601714A**	1.00	0.94	EA*4X36*17A*	MV12**17C*	1.00	0.91
EA*4X42*21A*	*9MV*0801716A**	1.01	0.95	ED*4X36F**	MV12F19**B*	1.00	0.92
EA*4X42*21A*	*9MV*0802120A**	1.01	0.93	ED*4X42J**	MV12F19**B*	1.01	0.93
EA*4X42*21A*	*9MV*1002120A**	1.00	0.92	ED*4X48F**	*9MPV075	1.03	0.99
EA*4X42*21A*	*9MA*0601714A**	1.00	0.94	EHD4X30A**	*9MPV100	0.99	0.95
EA*4X42*21A*	*9MA*0801714A**	1.00	0.94	EMA4X36D**	-	1.00	1.04
EA*4X42*21A*	*9MA*0802120A**	1.01	0.93	EN(A,D)4X36*21**	*9MPV075	1.00	0.96
EA*4X42*21A*	*9MA*1002122A**	1.01	0.90	EN(A,D,W)4X36*17**	-	0.99	1.04
EA*4X42*21A*	*9MA*0602120A**	1.01	0.93	ENH4X30*17**	*9MPV100	1.00	0.96
EA*4X42*24A*	*9MV*1202422A**	1.01	0.94	ED*4X48L**	-	1.01	1.01
EA*4X42*24A*	*9MA*1202422A**	1.01	0.93	ENH4X30*17**	*8MPV050	0.99	0.99
ED*4X30F**	*9MX*0601714A**	0.99	0.94	ED*4X36F**	OLV112A16A	1.00	0.96
ED*4X30F**	*9MX*0801716A**	1.01	0.95	ED*4X36F**	OMV112K14A	1.00	0.96
ED*4X30F**	*9MV*0601714A**	0.99	0.94	EA*4X36*21A*	-	1.00	1.00
ED*4X30F**	*9MV*0801716A**	0.99	0.94	ED*4X36J**	-	1.00	1.04
ED*4X30F**	*9MV*0802120A**	0.99	0.90	ED*4X42J**	MV16J22**B*	1.01	0.93

COOLING Multiplying Factors for other Indoor Combinations

Indoor Cooling Model	Furnace Model	CAPACITY (MBh)	Power (AMPS)	Indoor Cooling Model	Furnace Model	CAPACITY (MBh)	Power (AMPS)
ED*4X30F**	*9MV*1002120A**	0.99	0.90	ED*4X48F**	MV08B15**B*	1.01	0.94
ED*4X30F**	*9MA*0601714A**	0.99	0.95	EHD4X30A**	*9MPV125	0.99	0.95
ED*4X30F**	*9MA*0801714A**	0.99	0.94	EN(A,D)4X30*14**	-	0.99	1.04
ED*4X30F**	*9MA*0802120A**	0.99	0.92	EN(A,D)4X36*21**	MV12F19**B*	1.00	0.96
ED*4X30F**	*9MA*1002122A**	1.00	0.92	EN(A,D,W)4X36*17**	*8MPV050	1.00	1.00
ED*4X30F**	*9MA*0602120A**	0.99	0.94	ENH4X30*17**	*9MPV125	1.00	0.96
ED*4X30F**	*9MVX040	0.99	0.95	ENH4X36*17**	*9MPV100	1.00	0.96
ED*4X36F**	*9MX*0601714A**	1.00	0.94	ED*4X36J**	OLV112A16A	1.01	0.97
ED*4X36F**	*9MX*0801716A**	1.01	0.95	EHD4X30A**	OMV112K14A	1.00	0.96
ED*4X36F**	*9MV*0601714A**	0.99	0.94	EA*4X36*21A*	MV12**17C*	1.00	0.91
ED*4X36F**	*9MV*0801716A**	1.00	0.94	ED*4X36J**	*8MPV100	1.00	0.92
ED*4X36F**	*9MV*0802120A**	1.00	0.92	ED*4X42L**	-	1.01	1.05
ED*4X36F**	*9MV*1002120A**	0.99	0.92	ED*4X48F**	MV12F19**B*	1.01	0.94
ED*4X36F**	*9MA*0601714A**	0.99	0.94	EHD4X30A**	MV08B15**B*	0.99	0.92
ED*4X36F**	*9MA*0801714A**	1.00	0.94	EN(A,D)4X30*14**	MV08**14C*	0.99	0.91
ED*4X36F**	*9MA*0802120A**	1.00	0.91	EN(A,D)4X36*21**	*9MPV050	1.00	0.96
ED*4X36F**	*9MA*1002122A**	1.01	0.93	EN(A,D,W)4X36*17**	MV08B15**B*	1.00	0.96
ED*4X36F**	*9MA*0602120A**	1.00	0.92	ENH4X30*17**	MV08**14C*	0.99	0.90
ED*4X36F**	*9MVX040	1.00	0.96	ENH4X36*17**	*9MPV125	1.00	0.96
ED*4X36J**	*9MV*0802120A**	1.00	0.92	ED*4X42L**	*8MPV100	1.01	0.93
ED*4X36J**	*9MV*1002120A**	1.00	0.92	ED*4X48J**	-	1.01	1.01
ED*4X36J**	*9MV*1202422A**	1.01	0.93	ED*4X48L**	*8MPV100	1.01	0.94
ED*4X36J**	*9MA*0802120A**	1.00	0.92	EN(A,D)4X36*21**	*9MPV075	1.00	0.96
ED*4X36J**	*9MA*1002122A**	1.01	0.93	EN(A,D,W)4X36*17**	*9MPV050	0.99	0.95
ED*4X36J**	*9MA*1202422A**	1.00	0.92	ENH4X30*17**	*8MPV075	0.99	0.95
ED*4X36J**	*9MA*0602120A**	1.00	0.92	ENH4X30*17**	MV12**17C*	1.00	0.91
ED*4X42F**	*8MX*0701716**	1.01	0.97	ENH4X30*17**	*9MVX060	0.99	0.95
ED*4X42F**	*8MV*0901716**	1.01	0.93	ENH4X30*17**	*9MV*1002116A**	0.99	0.94
ED*4X42F**	*9MX*0601714A**	1.01	0.95	EHD4X30A**	OLV112A16A	1.01	0.97
ED*4X42F**	*9MX*0801716A**	1.01	0.96	EHD4X36A**	OMV112K14A	1.01	0.94

COOLING Multiplying Factors for other Indoor Combinations

Indoor Cooling Model	Furnace Model	CAPACITY (MBh)	Power (AMPS)	Indoor Cooling Model	Furnace Model	CAPACITY (MBh)	Power (AMPS)
ED*4X42F**	*9MV*0601714A**	1.00	0.94	EA*4X42*21A*	-	1.01	1.01
ED*4X42F**	*9MV*0801716A**	1.01	0.95	ED*4X36J**	*8MPV125	1.00	0.92
ED*4X42F**	*9MV*0802120A**	1.01	0.93	ED*4X42L**	*8MPV125	1.01	0.93
ED*4X42F**	*9MV*1002120A**	1.00	0.92	ED*4X48J**	*8MPV075	1.01	0.94
ED*4X42F**	*9MA*0601714A**	1.00	0.94	EHD4X30A**	MV12F19**B*	0.99	0.92
ED*4X42F**	*9MA*0801714A**	1.00	0.94	EN(A,D)4X30*17**	-	0.99	1.04
ED*4X42F**	*9MA*0802120A**	1.01	0.93	EN(A,D)4X36*21**	*9MPV100	1.00	0.96
ED*4X42F**	*9MA*1002122A**	1.01	0.93	EN(A,D,W)4X36*17**	*9MPV075	0.99	0.95
ED*4X42F**	*9MA*0602120A**	1.00	0.92	ENH4X31*17**	-	0.99	0.99
ED*4X42F**	NOMV106D12*	1.00	0.92	ENH4X31*17**	*9MPV125	1.01	0.94
ED*4X42F**	*9MVX040	1.01	0.97	ENH4X36*17**	MV08B15**B*	1.00	0.92
ED*4X42J**	*8MX*0902116**	1.01	0.93	ENH4X30*17**	*9MVX080	0.99	0.95
ED*4X42J**	*8MX*1102120**	1.01	0.93	EN(A,D)4X43*24**	*9MVX100	1.01	0.93
ED*4X42J**	*8MV*1102120**	1.01	0.93	EHD4X36A**	*9MA*1002120A**	1.02	0.94
ED*4X42J**	*9MV*0802120A**	1.01	0.93	ED*4X42L**	*9MPV100	1.01	0.93
ED*4X42J**	*9MV*1002120A**	1.00	0.92	ED*4X48J**	*8MPV100	1.01	0.94
ED*4X42J**	*9MV*1202422A**	1.01	0.94	ED*4X48L**	*8MPV125	1.01	0.94
ED*4X42J**	*9MA*0802120A**	1.01	0.93	EN(A,D)4X36*21**	MV12**17C*	1.00	0.91
ED*4X42J**	*9MA*1002122A**	1.01	0.94	EN(A,D,W)4X36*17**	MV08**14C*	0.99	0.90
ED*4X42J**	*9MA*1202422A**	1.01	0.93	ENH4X30*17**	*8MPV100	0.99	0.95
ED*4X42J**	*9MA*0602120A**	1.01	0.93	ENH4X31*17**	*8MPV050	0.99	0.95
ED*4X42J**	NOMV156E19*	1.01	0.93	ENH4X36*17**	*8MPV100	1.00	0.96
ED*4X42J**	*9MVX040	1.01	0.97	ENH4X36*17**	MV12F19**B*	1.00	0.92
ED*4X42L**	*8MX*0902116**	1.01	0.93	ENH4X30*17**	*9MVX080	0.99	0.95
ED*4X42L**	*8MX*1102120**	1.01	0.93	ENH4X30*17**	*9MVX100	0.99	0.95
ED*4X42L**	*8MV*1102120**	1.01	0.93	EHD4X42A**	*9MA*1002120A**	1.03	0.95
ED*4X42L**	*8MV*1352422**	1.01	0.93	EHD4X30A**	OLV098A12A	0.99	0.95
ED*4X42L**	*9MV*1202422A**	1.01	0.94	ED*4X48L**	*9MPV100	1.01	0.94
ED*4X42L**	*9MA*1202422A**	1.01	0.93	ENH4X30*17**	*8MPV125	0.99	0.95
ED*4X42L**	NOMV156E19*	1.01	0.93	ENH4X36*17**	*8MPV125	1.00	0.96

COOLING Multiplying Factors for other Indoor Combinations

Indoor Cooling Model	Furnace Model	CAPACITY (MBh)	Power (AMPS)	Indoor Cooling Model	Furnace Model	CAPACITY (MBh)	Power (AMPS)
ED*4X48F**	*8MX*0701716**	1.01	0.94	ENH4X31*17**	*9MVX060	0.99	0.95
ED*4X48F**	*8MV*0901716**	1.01	0.94	ENH4X31*17**	*9MV*1002116A**	1.01	0.94
ED*4X48F**	NOMV106D12*	1.01	0.94	ENH4X31*17**	MV08B15**B*	0.99	0.92
ED*4X48F**	*9MVX040	1.01	0.97	ENH4X36*17**	*9MPV050	0.99	0.95
ED*4X48J**	*8MX*0902116**	1.01	0.94	ENH4X31*17**	*9MVX080	0.99	0.92
ED*4X48J**	*8MX*1102120**	1.01	0.94	ENH4X30*17**	*9MVX100	0.99	0.95
ED*4X48J**	*8MV*1102120**	1.01	0.94	EN(A,D)4X36*21**	*9MA*1002120A**	1.00	0.94
ED*4X48J**	NOMV156E19*	1.01	0.94	ENH4X36*17**	*9MPV050	0.99	0.95
ED*4X48J**	*9MVX040	1.01	0.97	ENH4X36*17**	*9MPV075	0.99	0.95
ED*4X48L**	*8MX*0902116**	1.01	0.94	ENH4X31*17**	*9MVX080	0.99	0.92
ED*4X48L**	*8MX*1102120**	1.01	0.94	ENH4X31*17**	*9MVX100	0.99	0.92
ED*4X48L**	*8MV*1102120**	1.01	0.94	EN(A,D,W)4X42*21**	*9MA*1002120A**	1.01	0.95
ED*4X48L**	*8MV*1352422**	1.01	0.94	EHD4X36A**	OLV098A12A	1.01	0.97
ED*4X48L**	NOMV156E19*	1.01	0.94	ENH4X36*17**	*9MPV075	0.99	0.95
EHD4X30A**	*8MX*0701716**	0.99	0.95	ENH4X31*17**	*9MVX060	0.99	0.95
EHD4X30A**	*8MX*0902116**	0.99	0.95	ENH4X36*17**	*9MVX080	1.00	0.96
EHD4X30A**	*8MV*0701412**	0.99	0.90	EA*4X42*21A*	*9MV*1002116A**	1.01	0.93
EHD4X30A**	*8MV*0901716**	0.99	0.95	ENH4X36*17**	*9MV*1002116A**	0.99	0.94
EHD4X30A**	*8MV*1102120**	0.99	0.95	ENH4X30*17**	*9MA*1002120A**	1.00	0.94
EHD4X30A**	*8MV*1352422**	0.99	0.95	EN(A,D)4X30*17**	OLV098A12A	0.99	0.95
EHD4X30A**	*9MX*0601714A**	1.00	0.94	EHD4X36A**	OLV112A16A	0.87	0.84
EHD4X30A**	*9MX*0801716A**	1.01	0.95	EN(A,D)4X30*17**	OMV112K14A	1.00	0.96
EHD4X30A**	*9MV*0601714A**	0.99	0.94	EA*4X42*21A*	MV12**17C*	1.01	0.90
EHD4X30A**	*9MV*0801716A**	0.99	0.94	ED*4X36J**	*9MPV100	1.00	0.96
EHD4X30A**	*9MV*0802120A**	0.99	0.90	ED*4X42L**	*9MPV125	1.01	0.93
EHD4X30A**	*9MV*1002120A**	0.99	0.90	ED*4X48J**	*8MPV125	1.01	0.94
EHD4X30A**	*9MV*1202422A**	1.00	0.94	ED*4X48L**	*9MPV125	1.04	0.96
EHD4X30A**	*9MA*0601714A**	0.99	0.95	EHD4X30A**	MV08**14C*	0.99	0.90
EHD4X30A**	*9MA*0801714A**	1.00	0.94	EN(A,D)4X30*17**	*8MPV050	0.99	0.99
EHD4X30A**	*9MA*0802120A**	1.00	0.92	EN(A,D)4X37*17**	-	1.01	1.01

COOLING Multiplying Factors for other Indoor Combinations

Indoor Cooling Model	Furnace Model	CAPACITY (MBh)	Power (AMPS)	Indoor Cooling Model	Furnace Model	CAPACITY (MBh)	Power (AMPS)
EHD4X30A**	*9MA*1002122A**	1.01	0.93	EN(A,D,W)4X36*17**	MV12**17C*	1.00	0.91
EHD4X30A**	*9MA*1202422A**	1.00	0.94	ENH4X30*17**	*9MPV050	0.99	0.95
EHD4X30A**	*9MA*0602120A**	1.00	0.94	ENH4X31*17**	*8MPV075	0.99	0.95
EHD4X30A**	NOMV106D12*	0.99	0.95	ENH4X31*17**	MV12F19**B*	0.99	0.92
EHD4X30A**	*9MVX040	0.99	0.95	ENH4X36*17**	*9MPV100	1.00	0.96
EHD4X36A**	*8MX*0701716**	1.00	0.96	ENH4X36*17**	*9MVX060	1.00	0.96
EHD4X36A**	*8MX*0902116**	1.00	0.92	ENH4X36*17**	*9MVX080	1.00	0.96
EHD4X36A**	*8MV*0701412**	1.00	0.92	EA*4X42*24A*	*9MV*1002116A**	1.01	0.93
EHD4X36A**	*8MV*0901716**	1.00	0.92	ENH4X42*21**	*9MV*1002116A**	1.01	0.95
EHD4X36A**	*8MV*1102120**	1.00	0.92	ENH4X31*17**	*9MA*1002120A**	1.02	0.94
EHD4X36A**	*8MV*1352422**	1.00	0.92	EN(A,D)4X31*17**	OLV098A12A	1.01	0.97
EHD4X36A**	*9MX*0601714A**	1.02	0.96	EN(A,D)4X36*21**	OLV112A16A	1.00	0.96
EHD4X36A**	*9MX*0801716A**	1.03	0.97	EN(A,D)4X31*17**	OMV112K14A	1.01	0.97
EHD4X36A**	*9MV*0601714A**	1.01	0.96	EA*4X42*24A*	-	1.01	1.01
EHD4X36A**	*9MV*0801716A**	1.01	0.94	ED*4X42F**	-	1.01	1.05
EHD4X36A**	*9MV*0802120A**	1.01	0.94	ED*4X42L**	MV16J22**B*	1.01	0.93
EHD4X36A**	*9MV*1002120A**	1.01	0.93	ED*4X48J**	*9MPV050	1.01	0.97
EHD4X36A**	*9MV*1202422A**	1.02	0.94	ED*4X48L**	MV16J22**B*	1.01	0.94
EHD4X36A**	*9MA*0601714A**	1.01	0.95	EHD4X30A**	MV12**17C*	1.00	0.91
EHD4X36A**	*9MA*0801714A**	1.01	0.94	EN(A,D)4X30*17**	MV08B15**B*	0.99	0.95
EHD4X36A**	*9MA*0802120A**	1.01	0.92	EN(A,D)4X37*17**	*8MPV050	1.01	0.97
EHD4X36A**	*9MA*1002122A**	1.02	0.91	EN(A,D,W)4X42*21**	MV12**17C*	1.01	0.92
EHD4X36A**	*9MA*1202422A**	1.02	0.94	ENH4X30*17**	*9MPV075	0.99	0.95
EHD4X36A**	*9MA*0602120A**	1.01	0.94	ENH4X31*17**	*8MPV100	0.99	0.92
EHD4X36A**	NOMV106D12*	1.00	0.92	ENH4X31*17**	*9MPV050	1.01	0.97
EHD4X36A**	*9MVX040	1.00	0.96	ENH4X36*17**	*9MPV125	1.00	0.96
EHD4X42A**	*9MX*0601714A**	1.02	0.96	ENH4X30*17**	OLV112A16A	1.00	0.96
EHD4X42A**	*9MX*0801716A**	1.03	0.96	EN(A,D)4X36*21**	OMV112K14A	1.00	0.96
EHD4X42A**	*9MV*0601714A**	1.01	0.96	ED*4X30B**	-	0.99	1.04
EHD4X42A**	*9MV*0801716A**	1.02	0.94	ED*4X42F**	*8MPV050	1.01	1.01

COOLING Multiplying Factors for other Indoor Combinations

Indoor Cooling Model	Furnace Model	CAPACITY (MBh)	Power (AMPS)	Indoor Cooling Model	Furnace Model	CAPACITY (MBh)	Power (AMPS)
EHD4X42A**	*9MV*0802120A**	1.02	0.91	ED*4X42L**	MV20L24**B*	1.01	0.93
EHD4X42A**	*9MV*1002120A**	1.01	0.90	ED*4X48J**	*9MPV075	1.01	0.97
EHD4X42A**	*9MV*1202422A**	1.03	0.95	ED*4X48L**	MV20L24**B*	1.01	0.94
EHD4X42A**	*9MA*0601714A**	1.01	0.96	EHD4X36A**	-	1.00	1.04
EHD4X42A**	*9MA*0801714A**	1.02	0.94	EN(A,D)4X30*17**	*9MPV050	0.99	0.95
EHD4X42A**	*9MA*0802120A**	1.02	0.91	EN(A,D)4X37*17**	MV08B15**B*	1.01	0.93
EHD4X42A**	*9MA*1002122A**	1.03	0.91	EN(A,D,W)4X48*21**	-	1.02	1.00
EHD4X42A**	*9MA*1202422A**	1.02	0.94	ENH4X30*17**	*9MPV100	1.00	0.96
EHD4X42A**	*9MA*0602120A**	1.02	0.94	ENH4X31*17**	*8MPV125	0.99	0.92
EN(A,D)4X30*14**	*8MV*0701412**	0.99	0.95	ED*4X30F**	*9MV*1002116A**	0.99	0.94
EN(A,D)4X30*17**	*8MX*0701716**	0.99	0.95	ENH4X36*17**	*9MVX060	1.00	0.96
EN(A,D)4X30*17**	*8MV*0701412**	0.99	0.95	ED*4X36F**	*9MV*1002116A**	1.00	0.94
EN(A,D)4X30*17**	*8MV*0901716**	0.99	0.95	EA*4X36*21A*	*9MA*1002120A**	1.00	0.94
EN(A,D)4X30*17**	*9MX*0601714A**	1.00	0.94	ENH4X31*17**	OLV112A16A	1.01	0.97
EN(A,D)4X30*17**	*9MX*0801716A**	1.01	0.95	EN(A,D)4X37*17**	OMV112K14A	1.01	0.94
EN(A,D)4X30*17**	*9MV*0601714A**	0.99	0.94	ED*4X30B**	*8MPV050	0.99	0.99
EN(A,D)4X30*17**	*9MV*0801716A**	0.99	0.94	ED*4X42F**	*8MPV075	1.01	0.97
EN(A,D)4X30*17**	*9MA*0601714A**	0.99	0.95	EHD4X36A**	*8MPV050	1.00	0.96
EN(A,D)4X30*17**	*9MA*0801714A**	0.99	0.94	EN(A,D)4X30*17**	*9MPV075	0.99	0.95
EN(A,D)4X30*17**	NOMV106D12*	0.99	0.95	ENH4X31*17**	*9MPV075	1.01	0.97
EN(A,D)4X30*17**	*9MVX040	0.99	0.95	ENH4X36*17**	MV08**14C*	0.99	0.90
EN(A,D)4X31*17**	*8MX*0701716**	0.99	0.95	ED*4X36J**	*9MVX080	1.00	0.96
EN(A,D)4X31*17**	*8MV*0701412**	0.99	0.92	ED*4X36J**	*9MV*1002116A**	1.00	0.94
EN(A,D)4X31*17**	*8MV*0901716**	0.99	0.92	EA*4X42*21A*	*9MA*1002120A**	1.01	0.93
EN(A,D)4X31*17**	*9MX*0601714A**	1.02	0.96	ENH4X36*17**	OLV112A16A	1.00	0.96
EN(A,D)4X31*17**	*9MX*0801716A**	1.03	0.97	EN(A,D,W)4X36*17**	OMV112K14A	1.00	0.96
EN(A,D)4X31*17**	*9MV*0601714A**	1.01	0.96	ED*4X30B**	MV08B15**B*	0.99	0.92
EN(A,D)4X31*17**	*9MV*0801716A**	1.01	0.94	ED*4X42F**	*9MPV050	1.01	0.97
EN(A,D)4X31*17**	*9MA*0601714A**	1.01	0.96	EHD4X36A**	*8MPV075	1.00	0.96
EN(A,D)4X31*17**	*9MA*0801714A**	1.01	0.94	EN(A,D)4X30*17**	MV08**14C*	0.99	0.90

COOLING Multiplying Factors for other Indoor Combinations

Indoor Cooling Model	Furnace Model	CAPACITY (MBh)	Power (AMPS)	Indoor Cooling Model	Furnace Model	CAPACITY (MBh)	Power (AMPS)
EN(A,D)4X31*17**	NOMV106D12*	0.99	0.92	ENH4X31*17**	*9MPV100	1.01	0.94
EN(A,D)4X31*17**	*9MVX040	1.01	0.97	ENH4X36*17**	MV12**17C*	1.00	0.91
EN(A,D)4X36*21**	*8MX*0701716**	1.00	0.96	ED*4X42J**	*9MVX080	1.01	0.93
EN(A,D)4X36*21**	*8MX*0902116**	1.00	0.96	ED*4X42L**	*9MVX100	1.01	0.93
EN(A,D)4X36*21**	*8MV*0901716**	1.00	0.96	EA*4X42*24A*	*9MA*1002120A**	1.01	0.93
EN(A,D)4X36*21**	*8MV*1102120**	1.00	0.96	ENH4X36*17**	*9MA*1002120A**	1.00	0.94
EN(A,D)4X36*21**	*9MX*0601714A**	1.00	0.94	ED*4X30F**	OMV098J12A	0.99	0.95
EN(A,D)4X36*21**	*9MX*0801716A**	1.01	0.95	ENH4X30*17**	OMV112K14A	1.00	0.96
EN(A,D)4X36*21**	*9MV*0601714A**	0.99	0.94	ED*4X30F**	-	0.99	1.04
EN(A,D)4X36*21**	*9MV*0801716A**	0.99	0.94	ED*4X42F**	*9MPV075	1.01	0.97
EN(A,D)4X36*21**	*9MV*0802120A**	0.99	0.90	ED*4X48F**	-	1.01	1.01
EN(A,D)4X36*21**	*9MV*1002120A**	0.99	0.90	ED*4X48J**	*9MPV100	1.01	0.97
EN(A,D)4X36*21**	*9MA*0601714A**	0.99	0.95	EHD4X36A**	*8MPV100	1.00	0.92
EN(A,D)4X36*21**	*9MA*0801714A**	0.99	0.94	EN(A,D)4X30*17**	MV12**17C*	1.00	0.91
EN(A,D)4X36*21**	*9MA*0802120A**	0.99	0.92	EN(A,D)4X37*17**	*9MPV050	1.01	0.97
EN(A,D)4X36*21**	*9MA*1002122A**	1.00	0.92	END4X42*17**	MV08**14C*	1.01	0.90
EN(A,D)4X36*21**	*9MA*0602120A**	0.99	0.94	ENH4X31*17**	*9MPV050	1.01	0.97
EN(A,D)4X36*21**	NOMV106D12*	0.99	0.95	ENH4X31*17**	*9MPV125	1.01	0.94
EN(A,D)4X36*21**	*9MVX040	1.00	0.96	ENH4X42*21**	MV12**17C*	1.01	0.92
EN(A,D)4X37*17**	*8MX*0701716**	1.01	0.93	ED*4X42L**	*9MVX080	1.01	0.93
EN(A,D)4X37*17**	*8MV*0701412**	1.01	0.93	ED*4X42F**	*9MV*1002116A**	1.01	0.95
EN(A,D)4X37*17**	*8MV*0901716**	1.01	0.93	ED*4X30F**	*9MA*1002120A**	1.00	0.94
EN(A,D)4X37*17**	*9MX*0601714A**	1.03	0.96	ED*4X36F**	OMV098J12A	0.99	0.95
EN(A,D)4X37*17**	*9MX*0801716A**	1.04	0.96	ENH4X31*17**	OMV112K14A	1.01	0.94
EN(A,D)4X37*17**	*9MV*0601714A**	1.02	0.94	ED*4X30F**	*8MPV075	0.99	0.95
EN(A,D)4X37*17**	*9MV*0801716A**	1.03	0.95	ED*4X42F**	MV08B15**B*	1.01	0.93
EN(A,D)4X37*17**	*9MA*0601714A**	1.02	0.94	EHD4X36A**	*8MPV125	1.00	0.92
EN(A,D)4X37*17**	*9MA*0801714A**	1.03	0.95	EN(A,D)4X31*17**	*8MPV050	0.99	0.95
EN(A,D)4X37*17**	NOMV106D12*	1.01	0.93	ENH4X31*17**	MV08**14C*	1.01	0.90
EN(A,D,W)4X36*17**	*8MX*0701716**	1.00	0.96	ED*4X48J**	*9MVX080	1.01	0.97

COOLING Multiplying Factors for other Indoor Combinations

Indoor Cooling Model	Furnace Model	CAPACITY (MBh)	Power (AMPS)	Indoor Cooling Model	Furnace Model	CAPACITY (MBh)	Power (AMPS)
EN(A,D,W)4X36*17**	*8MV*0701412**	1.00	0.96	ED*4X42J**	*9MV*1002116A**	1.01	0.93
EN(A,D,W)4X36*17**	*8MV*0901716**	1.00	0.96	ED*4X36F**	*9MA*1002120A**	1.00	0.94
EN(A,D,W)4X36*17**	*9MX*0601714A**	1.00	0.94	EHD4X30A**	OMV098J12A	1.00	0.96
EN(A,D,W)4X36*17**	*9MX*0801716A**	1.01	0.95	ENH4X36*17**	OMV112K14A	1.00	0.96
EN(A,D,W)4X36*17**	*9MV*0601714A**	0.99	0.94	ED*4X30F**	*9MPV050	0.99	0.95
EN(A,D,W)4X36*17**	*9MV*0801716A**	0.99	0.94	ED*4X42F**	MV12F19**B*	1.01	0.93
EN(A,D,W)4X36*17**	*9MA*0601714A**	0.99	0.95	EHD4X36A**	*9MPV050	1.00	0.96
EN(A,D,W)4X36*17**	*9MA*0801714A**	0.99	0.94	EN(A,D)4X31*17**	MV08B15**B*	0.99	0.92
EN(A,D,W)4X36*17**	NOMV106D12*	0.99	0.95	ENH4X31*17**	MV12**17C*	1.02	0.91
EN(A,D,W)4X42*21**	*9MX*0601714A**	1.01	0.95	EHD4X36A**	OMV098J12A	1.01	0.97
EN(A,D,W)4X42*21**	*9MX*0801716A**	1.01	0.96	EA*4X30*14A*	-	1.00	1.03
EN(A,D,W)4X42*21**	*9MV*0601714A**	1.00	0.94	ED*4X30F**	*9MPV075	0.99	0.95
EN(A,D,W)4X42*21**	*9MV*0801716A**	1.01	0.95	ED*4X42J**	-	1.01	1.05
EN(A,D,W)4X42*21**	*9MV*0802120A**	1.01	0.93	ED*4X48F**	*8MPV050	1.01	0.97
EN(A,D,W)4X42*21**	*9MV*1002120A**	1.00	0.92	ED*4X48J**	MV12F19**B*	1.01	0.94
EN(A,D,W)4X42*21**	*9MA*0601714A**	1.00	0.94	EHD4X36A**	*9MPV075	1.00	0.96
EN(A,D,W)4X42*21**	*9MA*0801714A**	1.01	0.95	EN(A,D)4X31*17**	*9MPV050	1.01	0.97
EN(A,D,W)4X42*21**	*9MA*0802120A**	1.01	0.93	EN(A,D)4X37*17**	*9MPV075	1.01	0.97
EN(A,D,W)4X42*21**	*9MA*1002122A**	1.01	0.92	END4X42*17**	MV12**17C*	1.01	0.90
EN(A,D,W)4X42*21**	*9MA*0602120A**	1.01	0.93	ENH4X31*17**	*9MPV075	1.01	0.97
END4X42*17**	*8MV*0901716**	1.01	0.93	ED*4X36J**	*9MA*1002120A**	1.00	0.94
END4X42*17**	*9MX*0601714A**	1.01	0.96	EN(A,D)4X30*17**	OMV098J12A	0.99	0.95
END4X42*17**	*9MX*0801716A**	1.02	0.96	EA*4X30*14A*	MV08**14C*	0.99	0.90
END4X42*17**	*9MV*0601714A**	1.01	0.95	ED*4X30F**	MV12F19**B*	0.99	0.92
END4X42*17**	*9MV*0801716A**	1.01	0.94	ED*4X42J**	*8MPV075	1.01	0.97
END4X42*17**	*9MA*0601714A**	1.01	0.95	EHD4X36A**	*9MPV100	1.00	0.92
END4X42*17**	*9MA*0801714A**	1.01	0.96	EN(A,D)4X31*17**	*9MPV075	1.01	0.97
ENH4X30*17**	*8MX*0701716**	0.99	0.95	ED*4X48L**	*9MVX080	1.01	0.94
ENH4X30*17**	*8MX*0902116**	0.99	0.95	ED*4X48L**	*9MVX100	1.01	0.94
ENH4X30*17**	*8MV*0701412**	0.99	0.95	ED*4X42L**	*9MV*1002116A**	1.01	0.93

COOLING Multiplying Factors for other Indoor Combinations

Indoor Cooling Model	Furnace Model	CAPACITY (MBh)	Power (AMPS)	Indoor Cooling Model	Furnace Model	CAPACITY (MBh)	Power (AMPS)
ENH4X30*17**	*8MV*0901716**	0.99	0.95	ED*4X42F**	*9MA*1002120A**	1.01	0.95
ENH4X30*17**	*8MV*1102120**	0.99	0.95	ENH4X42*21**	*9MA*1002120A**	1.01	0.95
ENH4X30*17**	*8MV*1352422**	0.99	0.95	EN(A,D)4X36*21**	OLV098A12A	0.99	0.95
ENH4X30*17**	*9MX*0601714A**	1.00	0.94	EN(A,D)4X31*17**	OMV098J12A	1.01	0.97
ENH4X30*17**	*9MX*0801716A**	1.01	0.95	EA*4X30*17A*	-	1.00	1.03
ENH4X30*17**	*9MV*0601714A**	0.99	0.94	ED*4X36B**	-	1.00	1.04
ENH4X30*17**	*9MV*0801716A**	0.99	0.94	ED*4X42J**	*8MPV100	1.01	0.93
ENH4X30*17**	*9MV*1202422A**	0.99	0.94	EHD4X30A**	-	0.99	1.04
ENH4X30*17**	*9MA*0601714A**	0.99	0.95	EHD4X36A**	*9MPV125	1.00	0.92
ENH4X30*17**	*9MA*0801714A**	0.99	0.94	EN(A,D)4X31*17**	MV08**14C*	1.01	0.90
ENH4X30*17**	*9MA*1202422A**	1.00	0.94	ENH4X30*17**	*9MPV125	1.00	0.96
ENH4X30*17**	NOMV106D12*	0.99	0.95	ENH4X36*17**	-	1.00	1.04
ENH4X31*17**	*8MX*0701716**	0.99	0.95	EHD4X30A**	*9MVX080	0.99	0.95
ENH4X31*17**	*8MX*0902116**	0.99	0.92	EHD4X30A**	*9MVX100	0.99	0.95
ENH4X31*17**	*8MV*0701412**	0.99	0.92	EHD4X30A**	*9MV*1002116A**	0.99	0.94
ENH4X31*17**	*8MV*0901716**	0.99	0.92	ED*4X42J**	*9MA*1002120A**	1.01	0.93
ENH4X31*17**	*8MV*1102120**	0.99	0.92	ED*4X30F**	OLV098A12A	0.99	0.95
ENH4X31*17**	*8MV*1352422**	0.99	0.92	EN(A,D)4X37*17**	OLV098A12A	1.01	0.94
ENH4X31*17**	*9MX*0601714A**	1.02	0.96	EN(A,D)4X36*21**	OMV098J12A	0.99	0.95
ENH4X31*17**	*9MX*0801716A**	1.03	0.97	EA*4X30*17A*	MV08**14C*	0.99	0.90
ENH4X31*17**	*9MV*0601714A**	1.01	0.96	ED*4X36B**	*8MPV050	1.00	1.00
ENH4X31*17**	*9MV*0801716A**	1.01	0.94	ED*4X42J**	*8MPV125	1.01	0.93
ENH4X31*17**	*9MV*1202422A**	1.02	0.94	EHD4X30A**	*8MPV050	0.99	0.99
ENH4X31*17**	*9MA*0601714A**	1.01	0.96	EHD4X36A**	MV08B15**B*	1.00	0.92
ENH4X31*17**	*9MA*0801714A**	1.01	0.94	EN(A,D)4X31*17**	MV12**17C*	1.02	0.91
ENH4X31*17**	*9MA*1202422A**	1.02	0.94	ENH4X30*17**	MV08B15**B*	0.99	0.92
ENH4X31*17**	NOMV106D12*	0.99	0.92	ENH4X36*17**	*8MPV050	1.00	1.00
ENH4X36*17**	*8MX*0701716**	1.00	0.96	EHD4X36A**	*9MVX080	1.00	0.92
ENH4X36*17**	*8MX*0902116**	1.00	0.96	EHD4X36A**	*9MVX100	1.00	0.92
ENH4X36*17**	*8MV*0701412**	1.00	0.96	EHD4X36A**	*9MV*1002116A**	1.01	0.94

COOLING Multiplying Factors for other Indoor Combinations

Indoor Cooling Model	Furnace Model	CAPACITY (MBh)	Power (AMPS)	Indoor Cooling Model	Furnace Model	CAPACITY (MBh)	Power (AMPS)
ENH4X36*17**	*8MV*0901716**	1.00	0.96	ED*4X42L**	*9MA*1002120A**	1.01	0.93
ENH4X36*17**	*8MV*1102120**	1.00	0.96	ED*4X36F**	OLV098A12A	0.99	0.95
ENH4X36*17**	*8MV*1352422**	1.00	0.96	EN(A,D,W)4X36*17**	OLV098A12A	0.99	0.95
ENH4X36*17**	*9MX*0601714A**	1.00	0.94	EN(A,D)4X37*17**	OMV098J12A	1.01	0.97
ENH4X36*17**	*9MX*0801716A**	1.01	0.95	EA*4X30*17A*	MV12**17C*	0.99	0.90
ENH4X36*17**	*9MV*0601714A**	0.99	0.94	ED*4X36B**	MV08B15**B*	1.00	0.92
ENH4X36*17**	*9MV*0801716A**	0.99	0.94	ED*4X42J**	*9MPV050	1.01	0.97
ENH4X36*17**	*9MV*1202422A**	0.99	0.94	EHD4X30A**	*8MPV075	0.99	0.95
ENH4X36*17**	*9MA*0601714A**	0.99	0.95	EHD4X36A**	MV12F19**B*	1.00	0.92
ENH4X36*17**	*9MA*0801714A**	0.99	0.94	EN(A,D)4X36*21**	-	1.00	1.04
ENH4X36*17**	*9MA*1202422A**	1.00	0.94	ENH4X30*17**	MV12F19**B*	0.99	0.92
ENH4X36*17**	NOMV106D12*	0.99	0.95	ENH4X36*17**	*8MPV075	1.00	0.96
ENH4X42*21**	*9MX*0601714A**	1.01	0.95	EN(A,D,W)4X36*17**	OMV098J12A	0.99	0.95
ENH4X42*21**	*9MX*0801716A**	1.01	0.96	EA*4X36*14A*	-	1.00	1.00
ENH4X42*21**	*9MV*0601714A**	1.00	0.94	ED*4X36F**	-	1.00	1.04
ENH4X42*21**	*9MV*0801716A**	1.01	0.95	ED*4X42J**	*9MPV075	1.01	0.97
ENH4X42*21**	*9MV*080120A**	1.01	0.93	ED*4X48F**	*8MPV075	1.01	0.94
ENH4X42*21**	*9MV*1002120A**	1.00	0.92	ED*4X48J**	MV16J22**B*	1.01	0.94
ENH4X42*21**	*9MV*1202422A**	1.01	0.93	EHD4X30A**	*8MPV100	0.99	0.95
ENH4X42*21**	*9MA*0601714A**	1.00	0.94	EHD4X36A**	MV08**14C*	1.01	0.90
ENH4X42*21**	*9MA*0801714A**	1.01	0.95	EN(A,D)4X36*21**	*8MPV075	1.00	0.96
ENH4X42*21**	*9MA*080120A**	1.01	0.93	EN(A,D)4X37*17**	MV08**14C*	1.02	0.89
ENH4X42*21**	*9MA*1002122A**	1.01	0.92	ENH4X30*17**	-	0.99	1.04
ENH4X42*21**	*9MA*1202422A**	1.01	0.93	ENH4X30*17**	*9MPV050	0.99	0.95
ENH4X42*21**	*9MA*060120A**	1.01	0.93	ENH4X31*17**	*9MPV100	1.01	0.94
FEA4X30**A*	-	1.00	0.96	EN(A,D)4X37*17**	*9MVX040	1.01	0.97
FEA4X36**A*	-	1.00	0.96	EN(A,D,W)4X36*17**	*9MVX040	0.99	0.95
FEM4P30**A*	-	0.99	0.95	ENH4X30*17**	*9MVX040	0.99	0.95
FEM4P36**A*	-	1.00	0.96	ENH4X30*17**	*9MVX040	0.99	0.95
FEM4P42**A*	-	1.01	0.97	ENH4X31*17**	*9MVX040	0.99	0.95

COOLING Multiplying Factors for other Indoor Combinations

Indoor Cooling Model	Furnace Model	CAPACITY (MBh)	Power (AMPS)	Indoor Cooling Model	Furnace Model	CAPACITY (MBh)	Power (AMPS)
FEM4X30****	-	0.99	0.95	ENH4X31*17**	*9MVX040	0.99	0.95
FEM4X36****	-	1.00	0.96	ENH4X36*17**	*9MVX040	1.00	0.96
FS(M,U)4P30**A*	-	0.99	0.95	ENH4X36*17**	*9MVX040	1.00	0.96
FS(M,U)4P36**A*	-	1.00	1.00	ED*4X30F**	*9MVX060	0.99	0.95
FS(M,U)4X30****	-	0.99	1.04	ED*4X36F**	*9MVX060	1.00	0.96
FSA4X30**A*	-	0.99	1.04	ED*4X42F**	*9MVX060	1.01	0.97
FSA4X36**A*	-	1.00	1.00	ED*4X42J**	*9MVX060	1.01	0.97
FSM4X36****	-	1.00	1.00	ED*4X48F**	*9MVX060	1.01	0.97
FSU4X36****	-	1.00	1.04	ED*4X48J**	*9MVX060	1.01	0.97
FVM4X24****	-	0.99	0.92	EHD4X30A**	*9MVX060	0.99	0.95
FVM4X36****	-	1.00	0.92	EHD4X36A**	*9MVX060	1.00	0.96
FVM4X48****	-	1.01	0.93	EN(A,D)4X30*17**	*9MVX060	1.00	0.96
FXM4X30**A*	-	1.00	0.96	EN(A,D)4X31*17**	*9MVX060	1.01	0.97
FXM4X36**A*	-	1.01	0.93	EN(A,D)4X36*21**	*9MVX060	1.00	0.96
FXM4X42**A*	-	1.01	0.97	EN(A,D)4X36*21**	*9MVX060	1.00	0.96
-	-	-	-	ENH4X43*21**	MV12**17C*	1.03	0.90
NXA636							
*EN(A,D)4X37*17**	-	1.00	1.00	EHD4X48A**	*9MA*1202422A**	0.99	0.92
EA*4X36*14A*	*8MX*0451408**	0.96	0.96	EHD4X48A**	*9MA*0602120A**	0.99	0.91
EA*4X36*14A*	*8MV*0701412**	0.97	0.93	EHD4X48A**	*9MV*1002116A**	1.00	0.94
EA*4X36*14A*	-	0.97	0.99	EHD4X48A**	*9MA*1002120A**	0.99	0.92
EA*4X36*14A*	MV08**14C*	0.97	0.91	EHD4X48A**	MV08**14C*	1.00	0.91
EA*4X36*17A*	*8MX*0451408**	0.97	0.97	EHD4X48A**	MV12**17C*	1.01	0.91
EA*4X36*17A*	*8MX*0701716**	0.97	0.95	EHD4X48A**	MV16**21C*	1.01	0.91
EA*4X36*17A*	*8MV*0701412**	0.97	0.93	EHD4X48A**	MV20**24C*	1.00	0.91
EA*4X36*17A*	*8MV*0901716**	0.97	0.91	EMA4X36D**	-	0.97	1.01
EA*4X36*17A*	*9MX*0601714A**	0.97	0.93	EN(A,D)4X36*21**	*8MX*0701716**	0.97	0.93
EA*4X36*17A*	*9MX*0801716A**	0.97	0.91	EN(A,D)4X36*21**	*8MX*0902116**	0.97	0.93
EA*4X36*17A*	*9MV*0601714A**	0.97	0.93	EN(A,D)4X36*21**	*8MX*1102120**	0.97	0.93
EA*4X36*17A*	*9MV*0801716A**	0.97	0.93	EN(A,D)4X36*21**	*8MV*0901716**	0.97	0.93

COOLING Multiplying Factors for other Indoor Combinations

Indoor Cooling Model	Furnace Model	CAPACITY (MBh)	Power (AMPS)	Indoor Cooling Model	Furnace Model	CAPACITY (MBh)	Power (AMPS)
EA*4X36*17A*	*9MA*0601714A**	0.95	0.92	EN(A,D)4X36*21**	*8MV*1102120**	0.97	0.93
EA*4X36*17A*	*9MA*0801714A**	0.96	0.91	EN(A,D)4X36*21**	*9MX*0601714A**	0.97	0.93
EA*4X36*17A*	-	0.97	1.00	EN(A,D)4X36*21**	*9MX*0801716A**	0.96	0.92
EA*4X36*17A*	MV08**14C*	0.97	0.92	EN(A,D)4X36*21**	*9MX*1002120A**	0.98	0.94
EA*4X36*17A*	MV12**17C*	0.98	0.92	EN(A,D)4X36*21**	*9MV*0601714A**	0.96	0.92
EA*4X36*21A*	*8MX*0701716**	0.97	0.93	EN(A,D)4X36*21**	*9MV*0801716A**	0.97	0.93
EA*4X36*21A*	*8MX*0902116**	0.98	0.92	EN(A,D)4X36*21**	*9MV*0802120A**	0.97	0.91
EA*4X36*21A*	*8MX*1102120**	0.98	0.91	EN(A,D)4X36*21**	*9MV*1002120A**	0.97	0.91
EA*4X36*21A*	*8MV*0901716**	0.97	0.92	EN(A,D)4X36*21**	*9MA*0601714A**	0.95	0.92
EA*4X36*21A*	*8MV*1102120**	0.97	0.92	EN(A,D)4X36*21**	*9MA*0801714A**	0.96	0.92
EA*4X36*21A*	*9MX*0601714A**	0.97	0.93	EN(A,D)4X36*21**	*9MA*0802120A**	0.97	0.91
EA*4X36*21A*	*9MX*0801716A**	0.97	0.91	EN(A,D)4X36*21**	*9MA*1002122A**	0.97	0.91
EA*4X36*21A*	*9MX*1002120A**	0.99	0.93	EN(A,D)4X36*21**	*9MA*0602120A**	0.96	0.92
EA*4X36*21A*	*9MV*0601714A**	0.97	0.93	EN(A,D)4X36*21**	NOMV106D12*	0.97	0.93
EA*4X36*21A*	*9MV*0801716A**	0.97	0.93	EN(A,D)4X36*21**	NOMV156E19*	0.97	0.93
EA*4X36*21A*	*9MV*0802120A**	0.97	0.92	EN(A,D)4X36*21**	*9MVX040	0.97	1.01
EA*4X36*21A*	*9MV*1002120A**	0.97	0.92	EN(A,D)4X36*21**	*9MVX040	0.97	1.01
EA*4X36*21A*	*9MA*0601714A**	0.96	0.92	EN(A,D)4X36*21**	*9MVX060	0.97	0.97
EA*4X36*21A*	*9MA*0801714A**	0.96	0.91	EN(A,D)4X36*21**	*9MVX060	0.97	0.97
EA*4X36*21A*	*9MA*0802120A**	0.97	0.89	EN(A,D)4X36*21**	*9MVX080	0.98	0.94
EA*4X36*21A*	*9MA*1002122A**	0.97	0.90	EN(A,D)4X36*21**	*9MV*1002116A**	0.97	0.93
EA*4X36*21A*	*9MA*0602120A**	0.96	0.91	EN(A,D)4X36*21**	*9MA*1002120A**	0.96	0.92
EA*4X36*21A*	*9MV*1002116A**	0.97	0.92	EN(A,D)4X36*21**	OLV098A12A	0.96	0.96
EA*4X36*21A*	*9MA*1002120A**	0.97	0.91	EN(A,D)4X36*21**	OLV112A16A	0.97	0.97
EA*4X36*21A*	-	0.97	1.00	EN(A,D)4X36*21**	OMV098J12A	0.97	0.97
EA*4X36*21A*	MV12**17C*	0.98	0.90	EN(A,D)4X36*21**	OMV112K14A	0.97	0.93
EA*4X36*21A*	MV16**21C*	0.98	0.90	EN(A,D)4X36*21**	-	0.97	1.01
EA*4X42*21A*	*8MX*0701716**	0.98	0.94	EN(A,D)4X36*21**	*8MPV075	0.97	0.93
EA*4X42*21A*	*8MX*0902116**	0.98	0.91	EN(A,D)4X36*21**	*9MPV050	0.97	1.01
EA*4X42*21A*	*8MX*1102120**	0.99	0.91	EN(A,D)4X36*21**	*9MPV075	0.97	1.01

COOLING Multiplying Factors for other Indoor Combinations

Indoor Cooling Model	Furnace Model	CAPACITY (MBh)	Power (AMPS)	Indoor Cooling Model	Furnace Model	CAPACITY (MBh)	Power (AMPS)
EA*4X42*21A*	*8MV*0901716**	0.98	0.90	EN(A,D)4X36*21**	MV12F19**B*	0.97	0.93
EA*4X42*21A*	*8MV*1102120**	0.98	0.90	EN(A,D)4X36*21**	*9MPV050	0.97	1.01
EA*4X42*21A*	*9MX*0601714A**	0.98	0.94	EN(A,D)4X36*21**	*9MPV075	0.97	1.01
EA*4X42*21A*	*9MX*0801716A**	0.97	0.92	EN(A,D)4X36*21**	*9MPV100	0.98	0.94
EA*4X42*21A*	*9MX*1002120A**	0.99	0.94	EN(A,D)4X36*21**	MV12**17C*	0.97	0.92
EA*4X42*21A*	*9MV*0601714A**	0.98	0.94	EN(A,D)4X36*21**	MV16**21C*	0.97	0.92
EA*4X42*21A*	*9MV*0801716A**	0.98	0.92	EN(A,D)4X37*17**	*8MX*0451408**	1.00	0.96
EA*4X42*21A*	*9MV*0802120A**	0.98	0.90	EN(A,D)4X37*17**	*8MX*0701716**	1.00	0.96
EA*4X42*21A*	*9MV*1002120A**	0.98	0.90	EN(A,D)4X37*17**	*8MV*0701412**	1.00	0.96
EA*4X42*21A*	*9MA*0601714A**	0.97	0.91	EN(A,D)4X37*17**	*8MV*0901716**	1.00	0.96
EA*4X42*21A*	*9MA*0801714A**	0.97	0.91	EN(A,D)4X37*17**	*9MX*0601714A**	1.00	0.94
EA*4X42*21A*	*9MA*0802120A**	0.97	0.90	EN(A,D)4X37*17**	*9MX*0801716A**	1.00	0.92
EA*4X42*21A*	*9MA*1002122A**	0.98	0.90	EN(A,D)4X37*17**	*9MV*0601714A**	1.00	0.94
EA*4X42*21A*	*9MA*0602120A**	0.97	0.91	EN(A,D)4X37*17**	*9MV*0801716A**	0.99	0.92
EA*4X42*21A*	*9MV*1002116A**	0.98	0.93	EN(A,D)4X37*17**	*9MA*0601714A**	0.99	0.93
EA*4X42*21A*	*9MA*1002120A**	0.97	0.92	EN(A,D)4X37*17**	*9MA*0801714A**	0.99	0.91
EA*4X42*21A*	-	0.98	1.01	EN(A,D)4X37*17**	NOMV106D12*	1.00	0.96
EA*4X42*21A*	MV12**17C*	0.98	0.91	EN(A,D)4X37*17**	*9MVX040	1.00	1.00
EA*4X42*21A*	MV16**21C*	0.98	0.89	EN(A,D)4X37*17**	*9MVX060	1.01	0.97
EA*4X42*24A*	*8MX*0902116**	0.99	0.91	EN(A,D)4X37*17**	OLV098A12A	0.99	0.95
EA*4X42*24A*	*8MX*1102120**	0.99	0.91	EN(A,D)4X37*17**	OMV098J12A	1.00	0.96
EA*4X42*24A*	*8MV*1102120**	0.98	0.90	EN(A,D)4X37*17**	OMV112K14A	1.00	0.96
EA*4X42*24A*	*8MV*1352422**	0.98	0.90	EN(A,D)4X37*17**	*8MPV050	1.00	1.00
EA*4X42*24A*	*9MX*1002120A**	0.99	0.94	EN(A,D)4X37*17**	MV08B15**B*	1.00	0.92
EA*4X42*24A*	*9MV*0802120A**	0.98	0.90	EN(A,D)4X37*17**	*9MPV050	1.00	1.00
EA*4X42*24A*	*9MV*1002120A**	0.98	0.90	EN(A,D)4X37*17**	*9MPV075	1.00	0.96
EA*4X42*24A*	*9MV*1202422A**	0.98	0.91	EN(A,D)4X37*17**	MV08**14C*	1.00	0.91
EA*4X42*24A*	*9MA*0802120A**	0.97	0.90	EN(A,D)4X37*17**	MV12**17C*	1.01	0.92
EA*4X42*24A*	*9MA*1002122A**	0.98	0.90	EN(A,D)4X43*24**	*8MX*0902116**	1.01	0.93
EA*4X42*24A*	*9MA*1202422A**	0.97	0.90	EN(A,D)4X43*24**	*8MX*1102120**	1.01	0.93

COOLING Multiplying Factors for other Indoor Combinations

Indoor Cooling Model	Furnace Model	CAPACITY (MBh)	Power (AMPS)	Indoor Cooling Model	Furnace Model	CAPACITY (MBh)	Power (AMPS)
EA*4X42*24A*	*9MA*0602120A**	0.97	0.91	EN(A,D)4X43*24**	*8MV*1102120**	1.01	0.93
EA*4X42*24A*	*9MV*1002116A**	0.98	0.93	EN(A,D)4X43*24**	*8MV*1352422**	1.01	0.93
EA*4X42*24A*	*9MA*1002120A**	0.97	0.92	EN(A,D)4X43*24**	*9MX*1002120A**	1.03	0.95
EA*4X42*24A*	-	0.98	1.01	EN(A,D)4X43*24**	*9MV*0802120A**	1.01	0.91
EA*4X42*24A*	MV16**21C*	0.98	0.89	EN(A,D)4X43*24**	*9MV*1002120A**	1.01	0.91
EA*4X42*24A*	MV20**24C*	0.98	0.89	EN(A,D)4X43*24**	*9MV*1202422A**	1.00	0.91
EA*4X48*17A*	*9MX*0601714A**	0.99	0.94	EN(A,D)4X43*24**	*9MA*0802120A**	1.00	0.89
EA*4X48*17A*	*9MX*0801716A**	0.99	0.94	EN(A,D)4X43*24**	*9MA*1002122A**	1.01	0.89
EA*4X48*17A*	*9MV*0601714A**	0.99	0.94	EN(A,D)4X43*24**	*9MA*1202422A**	1.00	0.91
EA*4X48*17A*	*9MV*0801716A**	0.99	0.94	EN(A,D)4X43*24**	*9MA*0602120A**	0.99	0.92
EA*4X48*17A*	*9MA*0601714A**	0.98	0.93	EN(A,D)4X43*24**	NOMV156E19*	1.01	0.93
EA*4X48*17A*	*9MA*0801714A**	0.98	0.93	EN(A,D)4X43*24**	*9MVX080	1.01	0.97
EA*4X48*17A*	-	1.00	1.00	EN(A,D)4X43*24**	*9MVX080	1.01	0.97
EA*4X48*17A*	MV08**14C*	0.99	0.92	EN(A,D)4X43*24**	*9MVX100	1.01	0.93
EA*4X48*17A*	MV12**17C*	1.00	0.91	EN(A,D)4X43*24**	*9MVX100	1.01	0.93
EA*4X48*21A*	*9MX*0601714A**	0.99	0.93	EN(A,D)4X43*24**	*9MV*1002116A**	1.00	0.92
EA*4X48*21A*	*9MX*0801716A**	0.98	0.93	EN(A,D)4X43*24**	*9MA*1002120A**	1.00	0.92
EA*4X48*21A*	*9MV*0601714A**	0.99	0.95	EN(A,D)4X43*24**	OLV112A16A	1.01	0.97
EA*4X48*21A*	*9MV*0801716A**	0.99	0.93	EN(A,D)4X43*24**	OLV154F20A	1.01	0.93
EA*4X48*21A*	*9MV*0802120A**	0.99	0.91	EN(A,D)4X43*24**	-	1.01	1.01
EA*4X48*21A*	*9MV*1002120A**	0.99	0.91	EN(A,D)4X43*24**	*8MPV100	1.01	0.93
EA*4X48*21A*	*9MA*0601714A**	0.98	0.92	EN(A,D)4X43*24**	*8MPV125	1.01	0.93
EA*4X48*21A*	*9MA*0801714A**	0.98	0.92	EN(A,D)4X43*24**	*9MPV100	1.01	0.97
EA*4X48*21A*	*9MA*0802120A**	0.98	0.91	EN(A,D)4X43*24**	*9MPV125	1.01	0.93
EA*4X48*21A*	*9MA*1002122A**	0.99	0.91	EN(A,D)4X43*24**	MV16J22**B*	1.01	0.93
EA*4X48*21A*	*9MA*0602120A**	0.98	0.92	EN(A,D)4X43*24**	MV20L24**B*	1.01	0.93
EA*4X48*21A*	*9MV*1002116A**	0.99	0.94	EN(A,D)4X43*24**	*9MPV100	1.01	0.97
EA*4X48*21A*	*9MA*1002120A**	0.98	0.93	EN(A,D)4X43*24**	*9MPV125	1.01	0.93
EA*4X48*21A*	-	0.99	1.02	EN(A,D)4X43*24**	MV16**21C*	1.01	0.90
EA*4X48*21A*	MV12**17C*	0.99	0.90	EN(A,D)4X43*24**	MV20**24C*	1.01	0.89

COOLING Multiplying Factors for other Indoor Combinations

Indoor Cooling Model	Furnace Model	CAPACITY (MBh)	Power (AMPS)	Indoor Cooling Model	Furnace Model	CAPACITY (MBh)	Power (AMPS)
EA*4X48*24A*	MV16**21C*	0.99	0.90	EN(A,D)4X48*24**	*9MV*1202422A**	0.99	0.92
EA*4X48*24A*	*9MV*1202422A**	0.99	0.92	EN(A,D)4X48*24**	*9MA*1202422A**	0.99	0.91
EA*4X48*24A*	*9MA*1202422A**	0.98	0.91	EN(A,D)4X48*24**	*9MV*1002116A**	1.00	0.94
EA*4X48*24A*	*9MV*1002116A**	0.99	0.94	EN(A,D)4X48*24**	*9MA*1002120A**	0.99	0.91
EA*4X48*24A*	*9MA*1002120A**	0.98	0.91	EN(A,D)4X48*24**	MV16**21C*	1.00	0.91
EA*4X48*24A*	-	0.99	1.02	EN(A,D)4X48*24**	MV20**24C*	0.99	0.90
EA*4X48*24A*	MV16**21C*	0.99	0.90	EN(A,D,W)4X36*17**	*8MX*0451408**	0.97	0.97
EA*4X48*24A*	MV20**24C*	0.99	0.90	EN(A,D,W)4X36*17**	*8MX*0701716**	0.97	0.97
ED*4X36B**	-	0.97	1.01	EN(A,D,W)4X36*17**	*8MV*0701412**	0.97	0.93
ED*4X36B**	*8MPV050	0.96	1.00	EN(A,D,W)4X36*17**	*8MV*0901716**	0.97	0.93
ED*4X36F**	MV08B15**B*	0.97	0.93	EN(A,D,W)4X36*17**	*9MX*0601714A**	0.97	0.93
ED*4X36F**	*9MX*0601714A**	0.97	0.93	EN(A,D,W)4X36*17**	*9MX*0801716A**	0.96	0.92
ED*4X36F**	*9MX*0801716A**	0.97	0.91	EN(A,D,W)4X36*17**	*9MV*0601714A**	0.96	0.92
ED*4X36F**	*9MV*0601714A**	0.97	0.93	EN(A,D,W)4X36*17**	*9MV*0801716A**	0.97	0.93
ED*4X36F**	*9MV*0801716A**	0.97	0.93	EN(A,D,W)4X36*17**	*9MA*0601714A**	0.95	0.92
ED*4X36F**	*9MV*0802120A**	0.97	0.91	EN(A,D,W)4X36*17**	*9MA*0801714A**	0.96	0.92
ED*4X36F**	*9MV*1002120A**	0.97	0.91	EN(A,D,W)4X36*17**	NOMV106D12*	0.97	0.93
ED*4X36F**	*9MA*0601714A**	0.95	0.92	EN(A,D,W)4X36*17**	*9MVX040	0.96	0.96
ED*4X36F**	*9MA*0801714A**	0.96	0.91	EN(A,D,W)4X36*17**	*9MVX060	0.97	0.97
ED*4X36F**	*9MA*0802120A**	0.97	0.91	EN(A,D,W)4X36*17**	OLV098A12A	0.96	0.96
ED*4X36F**	*9MA*1002122A**	0.97	0.91	EN(A,D,W)4X36*17**	OMV098J12A	0.96	0.96
ED*4X36F**	*9MA*0602120A**	0.96	0.92	EN(A,D,W)4X36*17**	OMV112K14A	0.97	0.93
ED*4X36F**	*9MVX040	0.97	1.01	EN(A,D,W)4X36*17**	-	0.97	1.01
ED*4X36F**	*9MVX060	0.97	0.97	EN(A,D,W)4X36*17**	*8MPV050	0.97	1.01
ED*4X36F**	*9MV*1002116A**	0.97	0.93	EN(A,D,W)4X36*17**	MV08B15**B*	0.97	0.93
ED*4X36F**	*9MA*1002120A**	0.97	0.91	EN(A,D,W)4X36*17**	*9MPV050	0.96	0.96
ED*4X36F**	OLV098A12A	0.96	0.96	EN(A,D,W)4X36*17**	*9MPV075	0.96	0.96
ED*4X36F**	OLV112A16A	0.97	0.93	EN(A,D,W)4X36*17**	MV08**14C*	0.97	0.91
ED*4X36F**	OMV098J12A	0.97	0.97	EN(A,D,W)4X36*17**	MV12**17C*	0.97	0.92
ED*4X36F**	OMV112K14A	0.97	0.93	EN(A,D,W)4X42*21**	*8MX*0701716**	0.98	0.94

COOLING Multiplying Factors for other Indoor Combinations

Indoor Cooling Model	Furnace Model	CAPACITY (MBh)	Power (AMPS)	Indoor Cooling Model	Furnace Model	CAPACITY (MBh)	Power (AMPS)
ED*4X36F**	-	0.97	1.01	EN(A,D,W)4X42*21**	*8MX*0902116**	0.99	0.95
ED*4X36F**	*8MPV075	0.97	0.93	EN(A,D,W)4X42*21**	*8MX*1102120**	0.99	0.95
ED*4X36F**	*9MPV050	0.97	0.97	EN(A,D,W)4X42*21**	*8MV*0901716**	0.98	0.94
ED*4X36F**	*9MPV075	0.97	0.97	EN(A,D,W)4X42*21**	*8MV*1102120**	0.98	0.94
ED*4X36F**	MV12F19**B*	0.97	0.89	EN(A,D,W)4X42*21**	*9MX*0601714A**	0.98	0.94
ED*4X36J**	*9MV*0802120A**	0.97	0.92	EN(A,D,W)4X42*21**	*9MX*0801716A**	0.97	0.92
ED*4X36J**	*9MV*1002120A**	0.97	0.92	EN(A,D,W)4X42*21**	*9MX*1002120A**	0.99	0.94
ED*4X36J**	*9MV*1202422A**	0.97	0.92	EN(A,D,W)4X42*21**	*9MV*0601714A**	0.97	0.93
ED*4X36J**	*9MA*0802120A**	0.97	0.89	EN(A,D,W)4X42*21**	*9MV*0801716A**	0.98	0.92
ED*4X36J**	*9MA*1002122A**	0.97	0.90	EN(A,D,W)4X42*21**	*9MV*0802120A**	0.98	0.92
ED*4X36J**	*9MA*1202422A**	0.97	0.91	EN(A,D,W)4X42*21**	*9MV*1002120A**	0.98	0.92
ED*4X36J**	*9MA*0602120A**	0.96	0.91	EN(A,D,W)4X42*21**	*9MA*0601714A**	0.97	0.93
ED*4X36J**	*9MVX080	0.97	0.93	EN(A,D,W)4X42*21**	*9MA*0801714A**	0.97	0.91
ED*4X36J**	*9MV*1002116A**	0.97	0.92	EN(A,D,W)4X42*21**	*9MA*0802120A**	0.97	0.90
ED*4X36J**	*9MA*1002120A**	0.97	0.91	EN(A,D,W)4X42*21**	*9MA*1002122A**	0.98	0.92
ED*4X36J**	OLV112A16A	0.97	0.93	EN(A,D,W)4X42*21**	*9MA*0602120A**	0.97	0.92
ED*4X36J**	-	0.97	1.01	EN(A,D,W)4X42*21**	NOMV106D12*	0.98	0.94
ED*4X36J**	*8MPV100	0.97	0.93	EN(A,D,W)4X42*21**	NOMV156E19*	0.98	0.94
ED*4X36J**	*8MPV125	0.97	0.93	EN(A,D,W)4X42*21**	*9MVX040	0.98	0.98
ED*4X36J**	*9MPV100	0.97	0.93	EN(A,D,W)4X42*21**	*9MVX040	0.98	0.98
ED*4X36J**	MV16J22**B*	0.97	0.89	EN(A,D,W)4X42*21**	*9MVX060	0.98	0.98
ED*4X42F**	*9MX*0601714A**	0.98	0.94	EN(A,D,W)4X42*21**	*9MVX060	0.98	0.98
ED*4X42F**	*9MX*0801716A**	0.97	0.92	EN(A,D,W)4X42*21**	*9MVX080	0.99	0.95
ED*4X42F**	*9MV*0601714A**	0.97	0.93	EN(A,D,W)4X42*21**	*9MV*1002116A**	0.98	0.92
ED*4X42F**	*9MV*0801716A**	0.98	0.92	EN(A,D,W)4X42*21**	*9MA*1002120A**	0.97	0.92
ED*4X42F**	*9MV*0802120A**	0.98	0.92	EN(A,D,W)4X42*21**	OLV098A12A	0.97	0.97
ED*4X42F**	*9MV*1002120A**	0.98	0.90	EN(A,D,W)4X42*21**	OLV112A16A	0.98	0.94
ED*4X42F**	*9MA*0601714A**	0.96	0.92	EN(A,D,W)4X42*21**	OMV098J12A	0.97	0.97
ED*4X42F**	*9MA*0801714A**	0.97	0.91	EN(A,D,W)4X42*21**	OMV112K14A	0.98	0.94
ED*4X42F**	*9MA*0802120A**	0.97	0.90	EN(A,D,W)4X42*21**	-	0.99	1.03

COOLING Multiplying Factors for other Indoor Combinations

Indoor Cooling Model	Furnace Model	CAPACITY (MBh)	Power (AMPS)	Indoor Cooling Model	Furnace Model	CAPACITY (MBh)	Power (AMPS)
ED*4X42F**	*9MA*1002122A**	0.98	0.90	EN(A,D,W)4X42*21**	*8MPV075	0.99	0.95
ED*4X42F**	*9MA*0602120A**	0.97	0.91	EN(A,D,W)4X42*21**	*9MPV050	0.98	0.98
ED*4X42F**	*9MVX040	0.98	0.98	EN(A,D,W)4X42*21**	*9MPV075	0.98	0.98
ED*4X42F**	*9MVX060	0.98	0.98	EN(A,D,W)4X42*21**	MV12F19**B*	0.99	0.91
ED*4X42F**	*9MV*1002116A**	0.98	0.92	EN(A,D,W)4X42*21**	*9MPV050	0.98	0.98
ED*4X42F**	*9MA*1002120A**	0.97	0.92	EN(A,D,W)4X42*21**	*9MPV075	0.98	0.98
ED*4X42F**	OLV098A12A	0.97	0.97	EN(A,D,W)4X42*21**	*9MPV100	0.99	0.95
ED*4X42F**	OLV112A16A	0.98	0.94	EN(A,D,W)4X42*21**	MV12**17C*	0.98	0.91
ED*4X42F**	OMV098J12A	0.97	0.97	EN(A,D,W)4X42*21**	MV16**21C*	0.98	0.91
ED*4X42F**	OMV112K14A	0.98	0.94	EN(A,D,W)4X48*21**	*9MX*0601714A**	0.99	0.94
ED*4X42F**	-	0.98	1.02	EN(A,D,W)4X48*21**	*9MX*0801716A**	0.99	0.93
ED*4X42F**	*8MPV075	0.98	0.94	EN(A,D,W)4X48*21**	*9MV*0601714A**	0.99	0.93
ED*4X42F**	*9MPV050	0.98	0.98	EN(A,D,W)4X48*21**	*9MV*0801716A**	0.99	0.94
ED*4X42F**	*9MPV075	0.98	0.98	EN(A,D,W)4X48*21**	*9MV*0802120A**	0.99	0.92
ED*4X42F**	MV12F19**B*	0.98	0.90	EN(A,D,W)4X48*21**	*9MV*1002120A**	0.99	0.92
ED*4X42J**	*9MV*0802120A**	0.98	0.90	EN(A,D,W)4X48*21**	*9MA*0601714A**	0.98	0.92
ED*4X42J**	*9MV*1002120A**	0.98	0.90	EN(A,D,W)4X48*21**	*9MA*0801714A**	0.98	0.91
ED*4X42J**	*9MV*1202422A**	0.98	0.92	EN(A,D,W)4X48*21**	*9MA*0802120A**	0.99	0.90
ED*4X42J**	*9MA*0802120A**	0.97	0.90	EN(A,D,W)4X48*21**	*9MA*1002122A**	0.99	0.90
ED*4X42J**	*9MA*1002122A**	0.98	0.90	EN(A,D,W)4X48*21**	*9MA*0602120A**	0.98	0.91
ED*4X42J**	*9MA*1202422A**	0.97	0.90	EN(A,D,W)4X48*21**	*9MV*1002116A**	1.00	0.94
ED*4X42J**	*9MA*0602120A**	0.97	0.91	EN(A,D,W)4X48*21**	*9MA*1002120A**	0.99	0.91
ED*4X42J**	*9MVX080	0.98	0.94	EN(A,D,W)4X48*21**	-	1.00	1.00
ED*4X42J**	*9MV*1002116A**	0.98	0.93	EN(A,D,W)4X48*21**	MV12**17C*	1.00	0.91
ED*4X42J**	*9MA*1002120A**	0.97	0.92	EN(A,D,W)4X48*21**	MV16**21C*	1.00	0.91
ED*4X42J**	OLV112A16A	0.98	0.94	END4X42*17**	*8MX*0451408**	0.99	0.99
ED*4X42J**	-	0.98	1.02	END4X42*17**	*8MX*0701716**	0.99	0.95
ED*4X42J**	*8MPV100	0.98	0.94	END4X42*17**	*8MV*0701412**	0.99	0.95
ED*4X42J**	*8MPV125	0.98	0.94	END4X42*17**	*8MV*0901716**	0.99	0.95
ED*4X42J**	*9MPV100	0.98	0.94	END4X42*17**	*9MX*0601714A**	0.98	0.94

COOLING Multiplying Factors for other Indoor Combinations

Indoor Cooling Model	Furnace Model	CAPACITY (MBh)	Power (AMPS)	Indoor Cooling Model	Furnace Model	CAPACITY (MBh)	Power (AMPS)
ED*4X42L**	MV16J22**B*	0.98	0.90	END4X42*17**	*9MX*0801716A**	0.98	0.92
ED*4X42L**	*8MV*1352422**	0.98	0.94	END4X42*17**	*9MV*0601714A**	0.98	0.94
ED*4X42L**	*9MV*0802120A**	0.98	0.90	END4X42*17**	*9MV*0801716A**	0.98	0.93
ED*4X42L**	*9MV*1002120A**	0.98	0.90	END4X42*17**	*9MA*0601714A**	0.97	0.93
ED*4X42L**	*9MV*1202422A**	0.98	0.91	END4X42*17**	*9MA*0801714A**	0.98	0.92
ED*4X42L**	*9MA*0802120A**	0.97	0.90	END4X42*17**	NOMV106D12*	0.98	0.94
ED*4X42L**	*9MA*1002122A**	0.98	0.90	END4X42*17**	*9MVX040	0.98	0.98
ED*4X42L**	*9MA*1202422A**	0.97	0.90	END4X42*17**	*9MVX060	0.99	0.99
ED*4X42L**	*9MA*0602120A**	0.97	0.91	END4X42*17**	OLV098A12A	0.98	0.94
ED*4X42L**	*9MVX100	0.98	0.94	END4X42*17**	OMV098J12A	0.98	0.94
ED*4X42L**	*9MV*1002116A**	0.98	0.93	END4X42*17**	OMV112K14A	0.98	0.94
ED*4X42L**	*9MA*1002120A**	0.97	0.92	END4X42*17**	-	0.99	1.03
ED*4X42L**	OLV112A16A	0.98	0.94	END4X42*17**	*8MPV050	0.98	0.98
ED*4X42L**	OLV154F20A	1.00	0.96	END4X42*17**	MV08B15**B*	0.99	0.91
ED*4X42L**	-	0.98	1.02	END4X42*17**	*9MPV050	0.98	0.98
ED*4X42L**	*9MPV125	0.98	0.94	END4X42*17**	*9MPV075	0.98	0.98
ED*4X42L**	MV20L24**B*	0.98	0.90	END4X42*17**	MV08**14C*	0.98	0.91
ED*4X48F**	*8MX*0701716**	0.99	0.95	END4X42*17**	MV12**17C*	0.99	0.92
ED*4X48F**	*8MV*0901716**	0.99	0.95	ENH4X36*17**	*8MX*0451408**	0.97	0.97
ED*4X48F**	*9MX*0601714A**	0.99	0.94	ENH4X36*17**	*8MX*0701716**	0.97	0.97
ED*4X48F**	*9MX*0801716A**	0.99	0.94	ENH4X36*17**	*8MX*0902116**	0.97	0.93
ED*4X48F**	*9MV*0601714A**	0.99	0.94	ENH4X36*17**	*8MX*1102120**	0.97	0.93
ED*4X48F**	*9MV*0801716A**	0.99	0.94	ENH4X36*17**	*8MV*0701412**	0.97	0.93
ED*4X48F**	*9MV*0802120A**	0.99	0.92	ENH4X36*17**	*8MV*0901716**	0.97	0.93
ED*4X48F**	*9MV*1002120A**	0.99	0.92	ENH4X36*17**	*8MV*1102120**	0.97	0.93
ED*4X48F**	*9MA*0601714A**	0.98	0.93	ENH4X36*17**	*8MV*1352422**	0.97	0.93
ED*4X48F**	*9MA*0801714A**	0.98	0.93	ENH4X36*17**	*9MX*0601714A**	0.97	0.93
ED*4X48F**	*9MA*0802120A**	0.99	0.91	ENH4X36*17**	*9MX*0801716A**	0.96	0.92
ED*4X48F**	*9MA*1002122A**	0.99	0.92	ENH4X36*17**	*9MV*0601714A**	0.96	0.92
ED*4X48F**	*9MA*0602120A**	0.99	0.93	ENH4X36*17**	*9MV*0801716A**	0.97	0.93

COOLING Multiplying Factors for other Indoor Combinations

Indoor Cooling Model	Furnace Model	CAPACITY (MBh)	Power (AMPS)	Indoor Cooling Model	Furnace Model	CAPACITY (MBh)	Power (AMPS)
ED*4X48F**	*9MVX060	0.99	0.95	ENH4X36*17**	*9MV*1202422A**	0.97	0.91
ED*4X48F**	*9MV*1002116A**	1.00	0.94	ENH4X36*17**	*9MA*0601714A**	0.95	0.92
ED*4X48F**	*9MA*1002120A**	0.99	0.91	ENH4X36*17**	*9MA*0801714A**	0.96	0.92
ED*4X48F**	-	0.99	1.04	ENH4X36*17**	*9MA*1202422A**	0.96	0.91
ED*4X48F**	*8MPV075	0.99	0.95	ENH4X36*17**	NOMV106D12*	0.97	0.93
ED*4X48F**	*9MPV075	0.99	0.95	ENH4X36*17**	NOMV156E19*	0.97	0.93
ED*4X48F**	MV12F19**B*	0.99	0.92	ENH4X36*17**	*9MVX040	0.97	1.01
ED*4X48J**	*8MX*0902116**	0.99	0.92	ENH4X36*17**	*9MVX040	0.97	1.01
ED*4X48J**	*8MX*1102120**	0.99	0.92	ENH4X36*17**	*9MVX060	0.97	0.97
ED*4X48J**	*8MV*1102120**	0.99	0.92	ENH4X36*17**	*9MVX060	0.97	0.97
ED*4X48J**	*9MV*0802120A**	0.99	0.91	ENH4X36*17**	*9MVX080	0.97	0.93
ED*4X48J**	*9MV*1002120A**	0.99	0.91	ENH4X36*17**	*9MVX080	0.97	0.93
ED*4X48J**	*9MV*1202422A**	0.99	0.91	ENH4X36*17**	*9MVX100	0.97	0.93
ED*4X48J**	*9MA*0802120A**	0.98	0.91	ENH4X36*17**	*9MVX100	0.97	0.93
ED*4X48J**	*9MA*1002122A**	0.99	0.91	ENH4X36*17**	*9MV*1002116A**	0.97	0.93
ED*4X48J**	*9MA*1202422A**	0.98	0.91	ENH4X36*17**	*9MA*1002120A**	0.96	0.92
ED*4X48J**	*9MA*0602120A**	0.98	0.92	ENH4X36*17**	OLV098A12A	0.96	0.96
ED*4X48J**	NOMV156E19*	0.99	0.95	ENH4X36*17**	OLV112A16A	0.97	0.97
ED*4X48J**	*9MVX060	0.99	0.95	ENH4X36*17**	OLV154F20A	0.99	0.95
ED*4X48J**	*9MVX080	0.99	0.95	ENH4X36*17**	OMV098J12A	0.96	0.96
ED*4X48J**	*9MV*1002116A**	0.99	0.94	ENH4X36*17**	OMV112K14A	0.97	0.93
ED*4X48J**	*9MA*1002120A**	0.98	0.93	ENH4X36*17**	-	0.97	1.02
ED*4X48J**	-	0.99	1.04	ENH4X36*17**	*8MPV050	0.97	1.01
ED*4X48J**	*8MPV075	0.99	0.95	ENH4X36*17**	*8MPV075	0.97	0.93
ED*4X48J**	*8MPV100	0.99	0.95	ENH4X36*17**	*8MPV100	0.97	0.93
ED*4X48J**	*8MPV125	0.99	0.92	ENH4X36*17**	*8MPV125	0.97	0.93
ED*4X48J**	*9MPV075	0.99	0.95	ENH4X36*17**	*9MPV050	0.96	0.96
ED*4X48J**	*9MPV100	0.99	0.95	ENH4X36*17**	*9MPV075	0.96	0.96
ED*4X48J**	MV12F19**B*	0.99	0.92	ENH4X36*17**	*9MPV100	0.98	0.94
ED*4X48J**	MV16J22**B*	0.99	0.92	ENH4X36*17**	*9MPV125	0.98	0.94

COOLING Multiplying Factors for other Indoor Combinations

Indoor Cooling Model	Furnace Model	CAPACITY (MBh)	Power (AMPS)	Indoor Cooling Model	Furnace Model	CAPACITY (MBh)	Power (AMPS)
ED*4X48L**	*8MX*0902116**	0.99	0.92	ENH4X36*17**	MV08B15**B*	0.97	0.93
ED*4X48L**	*8MX*1102120**	0.99	0.92	ENH4X36*17**	MV12F19**B*	0.97	0.93
ED*4X48L**	*8MX*1352420**	0.99	0.95	ENH4X36*17**	MV16J22**B*	0.97	0.93
ED*4X48L**	*8MV*1102120**	0.99	0.92	ENH4X36*17**	MV20L24**B*	0.97	0.93
ED*4X48L**	*8MV*1352422**	0.99	0.92	ENH4X36*17**	*9MPV050	0.96	0.96
ED*4X48L**	*9MV*1202422A**	0.99	0.92	ENH4X36*17**	*9MPV075	0.96	0.96
ED*4X48L**	*9MA*1202422A**	0.98	0.91	ENH4X36*17**	*9MPV100	0.98	0.94
ED*4X48L**	NOMV156E19*	0.99	0.95	ENH4X36*17**	*9MPV125	0.98	0.94
ED*4X48L**	*9MVX080	0.99	0.95	ENH4X36*17**	MV08**14C*	0.97	0.91
ED*4X48L**	*9MVX100	0.99	0.95	ENH4X36*17**	MV12**17C*	0.97	0.92
ED*4X48L**	*9MV*1002116A**	0.99	0.94	ENH4X42*21**	*8MX*0451408**	0.98	0.98
ED*4X48L**	*9MA*1002120A**	0.98	0.91	ENH4X42*21**	*8MX*0701716**	0.98	0.94
ED*4X48L**	-	0.99	1.04	ENH4X42*21**	*8MX*0902116**	0.98	0.94
ED*4X48L**	*8MPV100	0.99	0.95	ENH4X42*21**	*8MX*1102120**	0.98	0.94
ED*4X48L**	*8MPV125	0.99	0.95	ENH4X42*21**	*8MV*0701412**	0.98	0.94
ED*4X48L**	*9MPV100	0.99	0.95	ENH4X42*21**	*8MV*0901716**	0.98	0.94
ED*4X48L**	*9MPV125	0.99	0.95	ENH4X42*21**	*8MV*1102120**	0.98	0.94
ED*4X48L**	MV16J22**B*	0.99	0.95	ENH4X42*21**	*8MV*1352422**	0.98	0.94
ED*4X48L**	MV20L24**B*	0.99	0.95	ENH4X42*21**	*9MX*0601714A**	0.98	0.94
ED*4X60J**	*8MX*0902116**	1.01	0.93	ENH4X42*21**	*9MX*0801716A**	0.97	0.92
ED*4X60J**	*8MX*1102120**	1.01	0.93	ENH4X42*21**	*9MX*1002120A**	0.99	0.94
ED*4X60J**	*8MV*1102120**	1.01	0.93	ENH4X42*21**	*9MV*0601714A**	0.97	0.93
ED*4X60J**	NOMV156E19*	1.00	0.92	ENH4X42*21**	*9MV*0801716A**	0.98	0.92
ED*4X60J**	*9MVX060	1.01	0.97	ENH4X42*21**	*9MV*0802120A**	0.98	0.92
ED*4X60J**	*9MVX080	1.01	0.97	ENH4X42*21**	*9MV*1002120A**	0.98	0.92
ED*4X60J**	-	1.01	1.01	ENH4X42*21**	*9MV*1202422A**	0.98	0.92
ED*4X60J**	*8MPV075	1.01	0.97	ENH4X42*21**	*9MA*0601714A**	0.97	0.93
ED*4X60J**	*8MPV100	1.01	0.93	ENH4X42*21**	*9MA*0801714A**	0.97	0.91
ED*4X60J**	*8MPV125	1.01	0.93	ENH4X42*21**	*9MA*0802120A**	0.97	0.90
ED*4X60J**	*9MPV075	1.01	0.97	ENH4X42*21**	*9MA*1002122A**	0.98	0.92

COOLING Multiplying Factors for other Indoor Combinations

Indoor Cooling Model	Furnace Model	CAPACITY (MBh)	Power (AMPS)	Indoor Cooling Model	Furnace Model	CAPACITY (MBh)	Power (AMPS)
ED*4X60J**	*9MPV100	1.01	0.97	ENH4X42*21**	*9MA*1202422A**	0.97	0.92
ED*4X60J**	MV12F19**B*	1.01	0.93	ENH4X42*21**	*9MA*0602120A**	0.97	0.92
ED*4X60J**	MV16J22**B*	1.01	0.93	ENH4X42*21**	NOMV106D12*	0.98	0.94
ED*4X60L**	*8MX*0902116**	1.01	0.93	ENH4X42*21**	NOMV156E19*	0.98	0.94
ED*4X60L**	*8MX*1102120**	1.01	0.93	ENH4X42*21**	*9MVX040	0.98	0.98
ED*4X60L**	*8MX*1352420**	1.01	0.93	ENH4X42*21**	*9MVX040	0.98	0.98
ED*4X60L**	*8MV*1102120**	1.01	0.93	ENH4X42*21**	*9MVX060	0.98	0.98
ED*4X60L**	*8MV*1352422**	1.01	0.93	ENH4X42*21**	*9MVX060	0.98	0.98
ED*4X60L**	NOMV156E19*	1.00	0.92	ENH4X42*21**	*9MVX080	0.98	0.94
ED*4X60L**	*9MVX080	1.01	0.97	ENH4X42*21**	*9MVX080	0.98	0.94
ED*4X60L**	*9MVX100	1.01	0.93	ENH4X42*21**	*9MVX100	0.98	0.94
ED*4X60L**	-	1.01	1.01	ENH4X42*21**	*9MVX100	0.98	0.94
ED*4X60L**	*8MPV100	1.01	0.93	ENH4X42*21**	*9MV*1002116A**	0.98	0.92
ED*4X60L**	*8MPV125	1.01	0.93	ENH4X42*21**	*9MA*1002120A**	0.97	0.92
ED*4X60L**	*9MPV100	1.01	0.97	ENH4X42*21**	OLV098A12A	0.97	0.97
ED*4X60L**	*9MPV125	1.01	0.97	ENH4X42*21**	OLV112A16A	0.98	0.94
ED*4X60L**	MV16J22**B*	1.01	0.93	ENH4X42*21**	OLV154F20A	1.00	0.96
ED*4X60L**	MV20L24**B*	1.01	0.93	ENH4X42*21**	OMV098J12A	0.97	0.97
EHD4X36A**	*8MX*0451408**	0.97	0.97	ENH4X42*21**	OMV112K14A	0.98	0.94
EHD4X36A**	*8MX*0701716**	0.97	0.93	ENH4X42*21**	-	0.98	1.01
EHD4X36A**	*8MX*0902116**	0.97	0.93	ENH4X42*21**	*8MPV050	0.98	0.98
EHD4X36A**	*8MX*1102120**	0.97	0.93	ENH4X42*21**	*8MPV075	0.98	0.94
EHD4X36A**	*8MV*0701412**	0.97	0.93	ENH4X42*21**	*8MPV100	0.98	0.94
EHD4X36A**	*8MV*0901716**	0.97	0.93	ENH4X42*21**	*8MPV125	0.98	0.94
EHD4X36A**	*8MV*1102120**	0.97	0.93	ENH4X42*21**	*9MPV050	0.97	0.97
EHD4X36A**	*8MV*1352422**	0.97	0.93	ENH4X42*21**	*9MPV075	0.98	0.98
EHD4X36A**	*9MX*0601714A**	0.99	0.93	ENH4X42*21**	*9MPV100	0.99	0.95
EHD4X36A**	*9MX*0801716A**	0.98	0.93	ENH4X42*21**	*9MPV125	0.99	0.95
EHD4X36A**	*9MX*1002120A**	1.01	0.95	ENH4X42*21**	MV08B15**B*	0.98	0.94
EHD4X36A**	*9MV*0601714A**	0.99	0.95	ENH4X42*21**	MV12F19**B*	0.98	0.90

COOLING Multiplying Factors for other Indoor Combinations

Indoor Cooling Model	Furnace Model	CAPACITY (MBh)	Power (AMPS)	Indoor Cooling Model	Furnace Model	CAPACITY (MBh)	Power (AMPS)
EHD4X36A**	*9MV*0801716A**	0.99	0.93	ENH4X42*21**	MV16J22**B*	0.98	0.90
EHD4X36A**	*9MV*0802120A**	0.99	0.91	ENH4X42*21**	MV20L24**B*	0.98	0.90
EHD4X36A**	*9MV*1002120A**	0.99	0.91	ENH4X42*21**	*9MPV050	0.97	0.97
EHD4X36A**	*9MV*1202422A**	0.99	0.91	ENH4X42*21**	*9MPV075	0.98	0.98
EHD4X36A**	*9MA*0601714A**	0.98	0.92	ENH4X42*21**	*9MPV100	0.99	0.95
EHD4X36A**	*9MA*0801714A**	0.98	0.92	ENH4X42*21**	*9MPV125	0.99	0.95
EHD4X36A**	*9MA*0802120A**	0.98	0.91	ENH4X42*21**	MV12**17C*	0.98	0.91
EHD4X36A**	*9MA*1002122A**	0.99	0.91	ENH4X42*21**	MV16**21C*	0.98	0.91
EHD4X36A**	*9MA*1202422A**	0.98	0.91	ENH4X43*21**	*8MX*0451408**	0.98	0.94
EHD4X36A**	*9MA*0602120A**	0.98	0.93	ENH4X43*21**	*8MX*0701716**	0.98	0.94
EHD4X36A**	NOMV106D12*	0.97	0.93	ENH4X43*21**	*8MX*0902116**	0.98	0.90
EHD4X36A**	NOMV156E19*	0.97	0.93	ENH4X43*21**	*8MX*1102120**	0.98	0.90
EHD4X36A**	*9MVX040	0.97	0.97	ENH4X43*21**	*8MV*0701412**	0.98	0.94
EHD4X36A**	*9MVX060	0.97	0.93	ENH4X43*21**	*8MV*0901716**	0.98	0.90
EHD4X36A**	*9MVX080	0.97	0.93	ENH4X43*21**	*8MV*1102120**	0.98	0.90
EHD4X36A**	*9MVX100	0.97	0.93	ENH4X43*21**	*8MV*1352422**	0.98	0.90
EHD4X36A**	*9MV*1002116A**	0.99	0.93	ENH4X43*21**	*9MX*0601714A**	1.01	0.95
EHD4X36A**	*9MA*1002120A**	0.98	0.93	ENH4X43*21**	*9MX*0801716A**	1.00	0.92
EHD4X36A**	OLV098A12A	0.98	0.94	ENH4X43*21**	*9MX*1002120A**	1.02	0.94
EHD4X36A**	OLV112A16A	0.99	0.95	ENH4X43*21**	*9MV*0601714A**	0.99	0.93
EHD4X36A**	OLV154F20A	1.01	0.97	ENH4X43*21**	*9MV*0801716A**	0.99	0.92
EHD4X36A**	OMV098J12A	0.98	0.94	ENH4X43*21**	*9MV*0802120A**	1.01	0.91
EHD4X36A**	OMV112K14A	0.99	0.95	ENH4X43*21**	*9MV*1002120A**	1.01	0.91
EHD4X36A**	-	0.97	1.01	ENH4X43*21**	*9MV*1202422A**	0.99	0.90
EHD4X36A**	*8MPV050	0.97	0.97	ENH4X43*21**	*9MA*0601714A**	0.99	0.93
EHD4X36A**	*8MPV075	0.97	0.93	ENH4X43*21**	*9MA*0801714A**	0.99	0.92
EHD4X36A**	*8MPV100	0.97	0.93	ENH4X43*21**	*9MA*0802120A**	1.00	0.91
EHD4X36A**	*8MPV125	0.97	0.93	ENH4X43*21**	*9MA*1002122A**	1.00	0.91
EHD4X36A**	*9MPV050	0.97	0.97	ENH4X43*21**	*9MA*1202422A**	1.00	0.92
EHD4X36A**	*9MPV075	0.97	0.93	ENH4X43*21**	*9MA*0602120A**	0.99	0.92

COOLING Multiplying Factors for other Indoor Combinations

Indoor Cooling Model	Furnace Model	CAPACITY (MBh)	Power (AMPS)	Indoor Cooling Model	Furnace Model	CAPACITY (MBh)	Power (AMPS)
EHD4X36A**	*9MPV100	0.97	0.93	ENH4X43*21**	NOMV106D12*	0.98	0.90
EHD4X36A**	*9MPV125	0.97	0.93	ENH4X43*21**	NOMV156E19*	0.98	0.90
EHD4X36A**	MV08B15**B*	0.97	0.89	ENH4X43*21**	*9MVX040	0.98	0.94
EHD4X36A**	MV12F19**B*	0.97	0.89	ENH4X43*21**	*9MVX040	0.98	0.94
EHD4X36A**	MV16J22**B*	0.97	0.89	ENH4X43*21**	*9MVX060	0.98	0.94
EHD4X36A**	MV20L24**B*	0.97	0.89	ENH4X43*21**	*9MVX060	0.98	0.94
EHD4X36A**	MV08**14C*	0.99	0.91	ENH4X43*21**	*9MVX080	0.98	0.94
EHD4X36A**	MV12**17C*	0.99	0.90	ENH4X43*21**	*9MVX080	0.98	0.94
EHD4X36A**	MV16**21C*	0.99	0.90	ENH4X43*21**	*9MVX100	0.98	0.94
EHD4X36A**	MV20**24C*	0.99	0.90	ENH4X43*21**	*9MVX100	0.98	0.94
EHD4X42A**	*8MX*0451408**	0.98	0.98	ENH4X43*21**	*9MV*1002116A**	0.99	0.92
EHD4X42A**	*8MX*0701716**	0.98	0.94	ENH4X43*21**	*9MA*1002120A**	1.00	0.92
EHD4X42A**	*8MX*0902116**	0.98	0.90	ENH4X43*21**	OLV098A12A	0.99	0.95
EHD4X42A**	*8MX*1102120**	0.98	0.90	ENH4X43*21**	OLV112A16A	1.01	0.97
EHD4X42A**	*8MV*0701412**	0.98	0.94	ENH4X43*21**	OLV154F20A	1.03	0.95
EHD4X42A**	*8MV*0901716**	0.98	0.90	ENH4X43*21**	OMV098J12A	1.00	0.96
EHD4X42A**	*8MV*1102120**	0.98	0.90	ENH4X43*21**	OMV112K14A	1.00	0.96
EHD4X42A**	*8MV*1352422**	0.98	0.90	ENH4X43*21**	-	0.98	0.98
EHD4X42A**	*9MX*0601714A**	0.99	0.94	ENH4X43*21**	*8MPV050	0.98	0.98
EHD4X42A**	*9MX*0801716A**	0.99	0.93	ENH4X43*21**	*8MPV075	0.98	0.94
EHD4X42A**	*9MX*1002120A**	1.01	0.93	ENH4X43*21**	*8MPV100	0.98	0.90
EHD4X42A**	*9MV*0601714A**	0.99	0.94	ENH4X43*21**	*8MPV125	0.98	0.90
EHD4X42A**	*9MV*0801716A**	0.99	0.94	ENH4X43*21**	*9MPV050	1.00	1.00
EHD4X42A**	*9MV*0802120A**	0.99	0.92	ENH4X43*21**	*9MPV075	1.01	0.97
EHD4X42A**	*9MV*1002120A**	0.99	0.92	ENH4X43*21**	*9MPV100	1.01	0.97
EHD4X42A**	*9MV*1202422A**	0.99	0.92	ENH4X43*21**	*9MPV125	1.01	0.93
EHD4X42A**	*9MA*0601714A**	0.98	0.93	ENH4X43*21**	MV08B15**B*	0.98	0.90
EHD4X42A**	*9MA*0801714A**	0.98	0.93	ENH4X43*21**	MV12F19**B*	0.98	0.90
EHD4X42A**	*9MA*0802120A**	0.99	0.91	ENH4X43*21**	MV16J22**B*	0.98	0.90
EHD4X42A**	*9MA*1002122A**	0.99	0.92	ENH4X43*21**	MV20L24**B*	0.98	0.90

COOLING Multiplying Factors for other Indoor Combinations

Indoor Cooling Model	Furnace Model	CAPACITY (MBh)	Power (AMPS)	Indoor Cooling Model	Furnace Model	CAPACITY (MBh)	Power (AMPS)
EHD4X42A**	*9MA*1202422A**	0.99	0.91	ENH4X43*21**	*9MPV050	1.00	1.00
EHD4X42A**	*9MA*0602120A**	0.98	0.93	ENH4X43*21**	*9MPV075	1.01	0.97
EHD4X42A**	NOMV106D12*	0.98	0.94	ENH4X43*21**	*9MPV100	1.01	0.97
EHD4X42A**	NOMV156E19*	0.98	0.94	ENH4X43*21**	*9MPV125	1.01	0.93
EHD4X42A**	*9MVX040	0.98	0.98	ENH4X43*21**	MV12**17C*	1.01	0.92
EHD4X42A**	*9MVX060	0.98	0.94	ENH4X43*21**	MV16**21C*	1.01	0.90
EHD4X42A**	*9MVX080	0.98	0.94	ENH4X48*21**	*8MV*0901716**	0.99	0.91
EHD4X42A**	*9MVX100	0.98	0.94	ENH4X48*21**	*9MX*0601714A**	0.99	0.94
EHD4X42A**	*9MV*1002116A**	1.00	0.94	ENH4X48*21**	*9MX*0801716A**	0.99	0.93
EHD4X42A**	*9MA*1002120A**	0.99	0.91	ENH4X48*21**	*9MV*0601714A**	0.99	0.93
EHD4X42A**	OLV098A12A	0.99	0.95	ENH4X48*21**	*9MV*0801716A**	0.99	0.94
EHD4X42A**	OLV112A16A	1.00	0.96	ENH4X48*21**	*9MV*0802120A**	0.99	0.92
EHD4X42A**	OLV154F20A	1.01	0.97	ENH4X48*21**	*9MV*1002120A**	0.99	0.92
EHD4X42A**	OMV098J12A	0.99	0.95	ENH4X48*21**	*9MV*1202422A**	0.99	0.92
EHD4X42A**	OMV112K14A	0.99	0.95	ENH4X48*21**	*9MA*0601714A**	0.98	0.92
EHD4X42A**	-	0.98	0.98	ENH4X48*21**	*9MA*0801714A**	0.98	0.91
EHD4X42A**	*8MPV050	0.98	0.98	ENH4X48*21**	*9MA*0802120A**	0.99	0.90
EHD4X42A**	*8MPV075	0.98	0.94	ENH4X48*21**	*9MA*1002122A**	0.99	0.90
EHD4X42A**	*8MPV100	0.98	0.94	ENH4X48*21**	*9MA*1202422A**	0.99	0.91
EHD4X42A**	*8MPV125	0.98	0.94	ENH4X48*21**	*9MA*0602120A**	0.98	0.91
EHD4X42A**	*9MPV050	0.98	0.98	ENH4X48*21**	*9MV*1002116A**	1.00	0.94
EHD4X42A**	*9MPV075	1.00	0.96	ENH4X48*21**	*9MA*1002120A**	0.99	0.91
EHD4X42A**	*9MPV100	0.98	0.94	ENH4X48*21**	MV12**17C*	1.00	0.91
EHD4X42A**	*9MPV125	0.98	0.94	ENH4X48*21**	MV16**21C*	1.00	0.91
EHD4X42A**	MV08B15**B*	0.98	0.90	FEA4X36**A*	-	0.98	1.02
EHD4X42A**	MV12F19**B*	0.98	0.90	FEM4P36**A*	-	0.97	0.97
EHD4X42A**	MV16J22**B*	0.98	0.90	FEM4P42**A*	-	0.99	0.95
EHD4X42A**	MV20L24**B*	0.98	0.90	FEM4P48**A*	-	0.99	0.95
EHD4X42A**	MV08**14C*	0.99	0.92	FEM4X36****	-	1.00	0.96
EHD4X42A**	MV12**17C*	1.00	0.91	FEM4X42****	-	1.00	0.96

COOLING Multiplying Factors for other Indoor Combinations

Indoor Cooling Model	Furnace Model	CAPACITY (MBh)	Power (AMPS)	Indoor Cooling Model	Furnace Model	CAPACITY (MBh)	Power (AMPS)
EHD4X42A**	MV16**21C*	1.00	0.91	FS(M,U)4P36**A*	-	0.97	0.97
EHD4X42A**	MV20**24C*	1.00	0.91	FS(M,U)4P42**A*	-	0.99	0.99
EHD4X48A**	*9MX*0601714A**	1.00	0.94	FS(M,U)4X42****	-	0.99	1.03
EHD4X48A**	*9MX*0801716A**	0.99	0.92	FSA4X36**A*	-	0.97	1.01
EHD4X48A**	*9MV*0601714A**	0.99	0.94	FSA4X36****	-	0.99	1.03
EHD4X48A**	*9MV*0801716A**	1.00	0.94	FSU4X36****	-	0.97	1.01
EHD4X48A**	*9MV*0802120A**	1.00	0.92	FVM4X24****	-	0.97	0.93
EHD4X48A**	*9MV*1002120A**	0.99	0.92	FVM4X36****	-	0.98	0.90
EHD4X48A**	*9MV*1202422A**	1.00	0.92	FVM4X48****	-	0.99	0.91
EHD4X48A**	*9MA*0601714A**	0.98	0.93	FVM4X60****	-	1.00	0.92
EHD4X48A**	*9MA*0801714A**	0.99	0.91	FXM4X36**A*	-	0.99	0.92
EHD4X48A**	*9MA*0802120A**	0.99	0.9	FXM4X42**A*	-	0.99	0.92
EHD4X48A**	*9MA*1002122A**	1.00	0.92	FXM4X48**A*	-	1.01	0.97
NXA642							
*EN(A,D)4X43*24**	-	1.00	1.00	ED*4X48L**	*9MA*1202422A**	0.96	0.89
EA*4X42*21A*	*8MX*0701716**	0.95	0.95	EA*4X60*21A*	*9MA*0602120A**	0.98	0.90
EA*4X42*21A*	*8MX*0902116**	0.96	0.91	EN(A,D)4X43*24**	*9MA*0602120A**	0.98	0.90
EA*4X42*21A*	*8MX*1102120**	0.96	0.89	ENH4X42*21**	NOMV156E19*	0.96	0.93
EA*4X42*21A*	*8MV*0901716**	0.95	0.90	ENH4X43*21**	*9MVX080	1.00	0.96
EA*4X42*21A*	*8MV*1102120**	0.96	0.91	EN(A,D)4X48*24**	*9MVX100	0.99	0.99
EA*4X42*21A*	*9MX*0601714A**	0.95	0.95	EN(A,D,W)4X48*21**	*9MX*1002116A**	0.98	0.92
EA*4X42*21A*	*9MX*0801716A**	0.96	0.93	ED*4X48J**	*9MV*1002116A**	0.98	0.94
EA*4X42*21A*	*9MX*0802120A**	0.96	0.91	EA*4X42*21A*	*9MA*1002120A**	0.95	0.90
EA*4X42*21A*	*9MX*1002120A**	0.96	0.91	ENH4X42*21**	*9MA*1002120A**	0.95	0.91
EA*4X42*21A*	*9MV*0601714A**	0.95	0.95	EA*4X42*24A*	-	0.96	0.99
EA*4X42*21A*	*9MV*0801716A**	0.95	0.91	ED*4X42F**	*8MPV075	0.96	0.96
EA*4X42*21A*	*9MV*0802120A**	0.96	0.91	ED*4X48J**	*8MPV100	0.98	0.94
EA*4X42*21A*	*9MV*1002120A**	0.96	0.91	EHD4X42A**	-	0.98	0.98
EA*4X42*21A*	*9MA*0601714A**	0.94	0.90	EN(A,D)4X48*24**	*8MPV100	0.99	0.99
EA*4X42*21A*	*9MA*0801714A**	0.95	0.91	EN(A,D,W)4X42*21**	*9MPV075	0.96	1.01

COOLING Multiplying Factors for other Indoor Combinations

Indoor Cooling Model	Furnace Model	CAPACITY (MBh)	Power (AMPS)	Indoor Cooling Model	Furnace Model	CAPACITY (MBh)	Power (AMPS)
EA*4X42*21A*	*9MA*0802120A**	0.95	0.90	END4X42*17**	MV12**17C*	0.98	0.92
EA*4X42*21A*	*9MA*1002122A**	0.96	0.91	ENH4X43*21**	*9MPV125	1.00	0.96
EA*4X42*24A*	*8MX*0902116**	0.96	0.91	EN(A,D)4X48*24**	*9MA*0602120A**	0.96	0.91
EA*4X42*24A*	*8MX*1102120**	0.96	0.89	ENH4X43*21**	NOMV156E19*	1.00	0.92
EA*4X42*24A*	*8MX*1352420**	0.96	0.91	ENH4X43*21**	*9MVX060	1.00	0.96
EA*4X42*24A*	*8MV*1102120**	0.96	0.91	ENH4X42*21**	*9MVX100	0.96	0.93
EA*4X42*24A*	*8MV*1352422**	0.96	0.89	ED*4X42L**	*9MX*1002116A**	0.95	0.91
EA*4X42*24A*	*9MX*0802120A**	0.96	0.91	EA*4X42*24A*	*9MA*1002120A**	0.95	0.90
EA*4X42*24A*	*9MX*1002120A**	0.96	0.91	ENH4X43*21**	*9MA*1002120A**	0.98	0.92
EA*4X42*24A*	*9MX*1202422A**	0.96	0.91	EHD4X48A**	OLV154F20A	1.00	0.96
EA*4X42*24A*	*9MV*0802120A**	0.96	0.91	ED*4X48J**	*8MPV125	0.98	0.94
EA*4X42*24A*	*9MV*1002120A**	0.96	0.91	EHD4X42A**	*8MPV075	0.98	0.94
EA*4X42*24A*	*9MV*1202422A**	0.96	0.91	EHD4X48A**	MV20L24**B*	0.99	0.91
EA*4X42*24A*	*9MA*0802120A**	0.95	0.90	ENH4X42*21**	-	0.96	1.01
EA*4X42*24A*	*9MA*1002122A**	0.96	0.91	ENH4X43*21**	MV12F19**B*	1.00	0.92
EA*4X42*24A*	*9MA*1202422A**	0.95	0.90	ENH4X48*21**	MV12**17C*	0.98	0.90
EA*4X48*17A*	*8MX*0701716**	0.98	0.96	ED*4X42F**	*9MA*0602120A**	0.95	0.91
EA*4X48*17A*	*8MV*0701412**	0.98	0.94	EN(A,D)4X48*24**	*9MVX080	0.99	0.99
EA*4X48*17A*	*8MV*0901716**	0.98	0.90	ENH4X48*21**	*9MVX080	0.99	0.95
EA*4X48*17A*	*9MX*0601714A**	0.98	0.94	EN(A,D,W)4X60*24**	*9MX*1002116A**	0.99	0.93
EA*4X48*17A*	*9MX*0801716A**	0.98	0.94	ED*4X48L**	*9MV*1002116A**	0.98	0.92
EA*4X48*17A*	*9MV*0601714A**	0.98	0.94	EA*4X42*24A*	MV16**21C*	0.96	0.89
EA*4X48*17A*	*9MV*0801716A**	0.98	0.94	ED*4X42F**	*9MPV075	0.96	1.01
EA*4X48*17A*	*9MA*0601714A**	0.96	0.93	EN(A,D)4X48*24**	*8MPV125	0.99	0.95
EA*4X48*17A*	*9MA*0801714A**	0.96	0.91	EN(A,D,W)4X42*21**	*9MPV100	0.96	0.96
EA*4X48*21A*	*8MX*0701716**	0.98	0.96	ED*4X42J**	*9MA*0602120A**	0.95	0.91
EA*4X48*21A*	*8MX*0902116**	0.98	0.90	EN(A,D,W)4X42*21**	*9MA*0602120A**	0.95	0.91
EA*4X48*21A*	*8MX*1102120**	0.98	0.90	ENH4X48*21**	NOMV156E19*	0.99	0.95
EA*4X48*21A*	*8MV*0901716**	0.98	0.92	ENH4X48*21**	*9MVX080	0.99	0.95
EA*4X48*21A*	*8MV*1102120**	0.98	0.92	ENH4X42*21**	*9MVX100	0.96	0.93

COOLING Multiplying Factors for other Indoor Combinations

Indoor Cooling Model	Furnace Model	CAPACITY (MBh)	Power (AMPS)	Indoor Cooling Model	Furnace Model	CAPACITY (MBh)	Power (AMPS)
EA*4X48*21A*	*9MX*0601714A**	0.96	0.93	ENH4X42*21**	*9MX*1002116A**	0.95	0.91
EA*4X48*21A*	*9MX*0801716A**	0.98	0.94	ED*4X60J**	*9MV*1002116A**	0.99	0.93
EA*4X48*21A*	*9MX*0802120A**	0.98	0.92	EA*4X48*21A*	*9MA*1002120A**	0.96	0.91
EA*4X48*21A*	*9MX*1002120A**	0.98	0.90	ENH4X48*21**	*9MA*1002120A**	0.96	0.91
EA*4X48*21A*	*9MV*0601714A**	0.96	0.93	EA*4X42*24A*	MV20**24C*	0.96	0.89
EA*4X48*21A*	*9MV*0801716A**	0.96	0.93	ED*4X42F**	MV12F19**B*	0.96	0.93
EA*4X48*21A*	*9MV*0802120A**	0.98	0.92	ED*4X48J**	*9MPV100	0.98	0.94
EA*4X48*21A*	*9MV*1002120A**	0.98	0.90	EHD4X42A**	*8MPV100	0.98	0.94
EA*4X48*21A*	*9MA*0601714A**	0.96	0.93	EN(A,D)4X48*24**	*9MPV100	0.99	0.95
EA*4X48*21A*	*9MA*0801714A**	0.96	0.93	EN(A,D,W)4X42*21**	MV12**17C*	0.96	0.91
EA*4X48*21A*	*9MA*0802120A**	0.96	0.91	ENH4X42*21**	*8MPV075	0.96	0.96
EA*4X48*21A*	*9MA*1002122A**	0.98	0.90	ENH4X43*21**	MV16J22**B*	1.00	0.92
EA*4X48*24A*	*8MX*0902116**	0.98	0.90	EN(A,D,W)4X48*21**	*9MA*0602120A**	0.96	0.91
EA*4X48*24A*	*8MX*1102120**	0.98	0.90	ED*4X42F**	*9MVX060	0.96	0.96
EA*4X48*24A*	*8MX*1352420**	0.98	0.90	ENH4X43*21**	*9MVX060	1.00	0.96
EA*4X48*24A*	*8MV*1102120**	0.98	0.90	ENH4X43*21**	*9MVX100	1.00	0.96
EA*4X48*24A*	*8MV*1352422**	0.98	0.90	ED*4X48F**	*9MX*1002116A**	0.98	0.92
EA*4X48*24A*	*9MX*0802120A**	0.98	0.92	EA*4X48*24A*	*9MA*1002120A**	0.96	0.91
EA*4X48*24A*	*9MX*1002120A**	0.98	0.90	ENH4X60*24**	*9MA*1002120A**	0.98	0.90
EA*4X48*24A*	*9MX*1202422A**	0.99	0.93	EN(A,D)4X43*24**	OLV154F20A	1.01	0.97
EA*4X48*24A*	*9MV*0802120A**	0.98	0.90	ED*4X48J**	MV16J22**B*	0.98	0.90
EA*4X48*24A*	*9MV*1002120A**	0.98	0.90	EHD4X42A**	*8MPV125	0.98	0.94
EA*4X48*24A*	*9MV*1202422A**	0.98	0.92	EHD4X48A**	MV12**17C*	0.99	0.91
EA*4X48*24A*	*9MA*0802120A**	0.96	0.89	ENH4X42*21**	*8MPV100	0.96	0.93
EA*4X48*24A*	*9MA*1002122A**	0.98	0.90	ENH4X43*21**	MV20L24**B*	1.00	0.92
EA*4X48*24A*	*9MA*1202422A**	0.96	0.89	ENH4X48*21**	MV16**21C*	0.99	0.90
EA*4X60*21A*	*9MX*0601714A**	0.99	0.95	ENH4X43*21**	*9MX*1002116A**	0.99	0.93
EA*4X60*21A*	*9MX*0801716A**	0.99	0.93	ED*4X60L**	*9MV*1002116A**	0.99	0.93
EA*4X60*21A*	*9MX*0802120A**	1.00	0.92	EA*4X60*21A*	*9MA*1002120A**	0.98	0.92
EA*4X60*21A*	*9MX*1002120A**	0.99	0.91	ED*4X42F**	OLV112A16A	0.96	0.96

COOLING Multiplying Factors for other Indoor Combinations

Indoor Cooling Model	Furnace Model	CAPACITY (MBh)	Power (AMPS)	Indoor Cooling Model	Furnace Model	CAPACITY (MBh)	Power (AMPS)
EA*4X60*21A*	*9MV*0601714A**	0.99	0.95	EA*4X48*17A*	-	0.99	0.99
EA*4X60*21A*	*9MV*0801716A**	0.99	0.93	ED*4X42J**	-	0.96	1.01
EA*4X60*21A*	*9MV*0802120A**	0.99	0.91	ED*4X48L**	-	0.98	0.98
EA*4X60*21A*	*9MV*1002120A**	0.99	0.91	EHD4X42A**	*9MPV075	0.98	0.98
EA*4X60*21A*	*9MA*0601714A**	0.98	0.94	EN(A,D)4X48*24**	*9MPV125	0.99	0.95
EA*4X60*21A*	*9MA*0801714A**	0.98	0.92	EN(A,D,W)4X42*21**	MV16**21C*	0.96	0.91
EA*4X60*21A*	*9MA*0802120A**	0.98	0.90	ENH4X42*21**	*8MPV125	0.96	0.93
EA*4X60*21A*	*9MA*1002122A**	0.99	0.91	ENH4X43*21**	*9MPV075	0.99	0.99
EA*4X60*24A*	*9MX*1202422A**	1.00	0.92	EN(A,D)4X48*24**	OLV154F20A	1.00	0.96
EA*4X60*24A*	*9MV*1202422A**	0.99	0.91	EHD4X48A**	MV16**21C*	0.99	0.90
EA*4X60*24A*	*9MA*1202422A**	0.98	0.90	ENH4X60*24**	MV16**21C*	1.00	0.91
ED*4X42F**	*9MX*0601714A**	0.95	0.95	ENH4X48*21**	*9MX*1002116A**	0.98	0.92
ED*4X42F**	*9MX*0801716A**	0.95	0.91	EHD4X42A**	*9MV*1002116A**	0.98	0.92
ED*4X42F**	*9MX*0802120A**	0.96	0.91	EA*4X60*24A*	*9MA*1002120A**	0.98	0.92
ED*4X42F**	*9MX*1002120A**	0.95	0.90	ED*4X42J**	OLV112A16A	0.96	0.96
ED*4X42F**	*9MV*0601714A**	0.95	0.95	EA*4X48*17A*	MV12**17C*	0.99	0.91
ED*4X42F**	*9MV*0801716A**	0.95	0.91	ED*4X42J**	*8MPV100	0.96	0.93
ED*4X42F**	*9MV*0802120A**	0.95	0.90	ED*4X48L**	*9MPV125	0.98	0.94
ED*4X42F**	*9MV*1002120A**	0.95	0.90	EHD4X42A**	*9MPV100	0.98	0.94
ED*4X42F**	*9MA*0601714A**	0.94	0.94	EN(A,D)4X48*24**	MV16J22**B*	0.99	0.99
ED*4X42F**	*9MA*0801714A**	0.95	0.91	EN(A,D,W)4X48*21**	-	0.99	0.99
ED*4X42F**	*9MA*0802120A**	0.95	0.90	ENH4X42*21**	*9MPV075	0.95	0.95
ED*4X42F**	*9MA*1002122A**	0.96	0.91	ENH4X43*21**	*9MPV100	1.00	0.96
ED*4X42J**	*9MX*0802120A**	0.96	0.91	ED*4X42F**	*9MA*1002120A**	0.95	0.91
ED*4X42J**	*9MX*1002120A**	0.96	0.91	ED*4X42L**	OLV112A16A	0.96	0.96
ED*4X42J**	*9MX*1202422A**	0.96	0.91	ENH4X42*21**	OLV154F20A	0.98	0.98
ED*4X42J**	*9MV*0802120A**	0.96	0.91	ED*4X48L**	MV20L24**B*	0.98	0.90
ED*4X42J**	*9MV*1002120A**	0.96	0.91	EHD4X42A**	*9MPV125	0.98	0.94
ED*4X42J**	*9MV*1202422A**	0.96	0.91	EHD4X48A**	MV20**24C*	0.99	0.90
ED*4X42J**	*9MA*0802120A**	0.95	0.90	ENH4X42*21**	*9MPV100	0.96	0.96

COOLING Multiplying Factors for other Indoor Combinations

Indoor Cooling Model	Furnace Model	CAPACITY (MBh)	Power (AMPS)	Indoor Cooling Model	Furnace Model	CAPACITY (MBh)	Power (AMPS)
ED*4X42J**	*9MA*1002122A**	0.96	0.91	ENH4X43*21**	*9MPV125	1.00	0.96
ED*4X42J**	*9MA*1202422A**	0.95	0.90	ENH4X60*24**	MV20**24C*	0.99	0.90
ED*4X42L**	*8MX*1352420**	0.96	0.93	ENH4X48*21**	*9MVX060	0.99	0.99
ED*4X42L**	*8MV*1352422**	0.96	0.93	ED*4X48J**	*9MX*1002116A**	0.96	0.91
ED*4X42L**	*9MX*0802120A**	0.96	0.91	ED*4X42J**	*9MA*1002120A**	0.95	0.90
ED*4X42L**	*9MX*1002120A**	0.96	0.91	ED*4X48F**	OLV112A16A	0.98	0.98
ED*4X42L**	*9MX*1202422A**	0.96	0.91	ENH4X43*21**	OLV154F20A	1.01	0.97
ED*4X42L**	*9MV*0802120A**	0.96	0.91	ED*4X60J**	-	1.00	1.00
ED*4X42L**	*9MV*1002120A**	0.96	0.91	EHD4X42A**	MV12F19**B*	0.98	0.90
ED*4X42L**	*9MV*1202422A**	0.96	0.91	EHD4X60A**	MV12**17C*	1.00	0.91
ED*4X42L**	*9MA*0802120A**	0.95	0.90	ENH4X42*21**	*9MPV125	0.96	0.93
ED*4X42L**	*9MA*1002122A**	0.96	0.91	ENH4X43*21**	MV12**17C*	0.99	0.90
ED*4X42L**	*9MA*1202422A**	0.95	0.90	ENH4X61*24**	MV16**21C*	1.00	0.91
ED*4X48F**	*9MX*0601714A**	0.98	0.94	ENH4X60*24**	*9MX*1002116A**	0.99	0.93
ED*4X48F**	*9MX*0801716A**	0.98	0.94	EHD4X48A**	*9MV*1002116A**	0.99	0.93
ED*4X48F**	*9MX*0802120A**	0.99	0.93	ED*4X42L**	*9MA*1002120A**	0.95	0.90
ED*4X48F**	*9MX*1002120A**	0.98	0.90	ED*4X48J**	OLV112A16A	0.98	0.98
ED*4X48F**	*9MV*0601714A**	0.98	0.94	EA*4X48*21A*	-	0.98	0.98
ED*4X48F**	*9MV*0801716A**	0.98	0.94	ED*4X42J**	*8MPV125	0.96	0.93
ED*4X48F**	*9MV*0802120A**	0.98	0.90	ED*4X60J**	*8MPV075	1.00	0.96
ED*4X48F**	*9MV*1002120A**	0.98	0.90	EHD4X42A**	MV16J22**B*	0.98	0.90
ED*4X48F**	*9MA*0601714A**	0.96	0.93	EN(A,D)4X48*24**	MV20L24**B*	0.99	0.99
ED*4X48F**	*9MA*0801714A**	0.96	0.91	EN(A,D,W)4X48*21**	*8MPV075	0.99	0.95
ED*4X48F**	*9MA*0802120A**	0.98	0.90	ENH4X42*21**	MV12F19**B*	0.96	0.93
ED*4X48F**	*9MA*1002122A**	0.98	0.90	ENH4X43*21**	MV16**21C*	1.00	0.91
ED*4X48J**	*9MX*0802120A**	0.98	0.92	ED*4X48F**	*9MA*1002120A**	0.98	0.92
ED*4X48J**	*9MX*1002120A**	0.98	0.90	ED*4X48L**	OLV112A16A	0.98	0.98
ED*4X48J**	*9MX*1202422A**	0.98	0.92	ENH4X48*21**	OLV154F20A	1.00	0.96
ED*4X48J**	*9MV*0802120A**	0.98	0.92	ED*4X60J**	*8MPV100	1.00	0.96
ED*4X48J**	*9MV*1002120A**	0.98	0.90	EHD4X42A**	MV20L24**B*	0.98	0.90

COOLING Multiplying Factors for other Indoor Combinations

Indoor Cooling Model	Furnace Model	CAPACITY (MBh)	Power (AMPS)	Indoor Cooling Model	Furnace Model	CAPACITY (MBh)	Power (AMPS)
ED*4X48J**	*9MV*1202422A**	0.98	0.92	EHD4X60A**	MV16**21C*	1.00	0.89
ED*4X48J**	*9MA*0802120A**	0.96	0.91	ENH4X42*21**	MV16J22**B*	0.96	0.89
ED*4X48J**	*9MA*1002122A**	0.98	0.90	ENH4X48*21**	-	0.99	0.99
ED*4X48J**	*9MA*1202422A**	0.96	0.91	ENH4X61*24**	MV20**24C*	1.00	0.91
ED*4X48L**	*8MX*1352420**	0.98	0.94	ENH4X48*21**	*9MVX060	0.99	0.99
ED*4X48L**	*8MV*1352422**	0.98	0.94	ED*4X48L**	*9MX*1002116A**	0.96	0.91
ED*4X48L**	*9MX*0802120A**	0.98	0.92	ED*4X48J**	*9MA*1002120A**	0.96	0.91
ED*4X48L**	*9MX*1002120A**	0.98	0.90	EHD4X42A**	OLV112A16A	0.98	0.98
ED*4X48L**	*9MX*1202422A**	0.99	0.93	ED*4X42F**	OMV112K14A	0.95	0.95
ED*4X48L**	*9MV*0802120A**	0.98	0.90	ED*4X60J**	*8MPV125	1.00	0.92
ED*4X48L**	*9MV*1002120A**	0.98	0.90	EHD4X42A**	MV12**17C*	0.99	0.91
ED*4X48L**	*9MV*1202422A**	0.98	0.92	EHD4X60A**	MV20**24C*	1.00	0.89
ED*4X48L**	*9MA*0802120A**	0.96	0.89	ENH4X42*21**	MV20L24**B*	0.96	0.89
ED*4X48L**	*9MA*1002122A**	0.98	0.90	ENH4X48*21**	*8MPV075	0.99	0.95
ED*4X60J**	*8MX*0902116**	1.00	0.92	ENH4X42*21**	*9MA*0602120A**	0.95	0.91
ED*4X60J**	*8MX*1102120**	1.00	0.92	ED*4X48F**	*9MVX060	0.98	0.98
ED*4X60J**	*8MV*1102120**	1.00	0.92	ENH4X43*21**	*9MVX100	1.00	0.96
ED*4X60J**	*9MX*0802120A**	1.00	0.92	ED*4X48L**	*9MA*1002120A**	0.96	0.91
ED*4X60J**	*9MX*1002120A**	0.99	0.91	EHD4X48A**	OLV112A16A	0.99	0.99
ED*4X60J**	*9MX*1202422A**	1.00	0.92	ED*4X48F**	OMV112K14A	0.98	0.94
ED*4X60J**	*9MV*0802120A**	0.99	0.91	ED*4X60J**	*9MPV075	1.00	1.00
ED*4X60J**	*9MV*1002120A**	0.99	0.91	EHD4X42A**	MV16**21C*	0.99	0.90
ED*4X60J**	*9MV*1202422A**	0.99	0.91	EMA4X48D**	-	0.98	1.02
ED*4X60J**	*9MA*0802120A**	0.98	0.90	ENH4X42*21**	*9MPV075	0.95	0.95
ED*4X60J**	*9MA*1002122A**	0.99	0.91	ENH4X48*21**	*8MPV100	0.99	0.95
ED*4X60L**	*8MX*0902116**	1.00	0.92	ENH4X43*21**	*9MA*0602120A**	0.98	0.92
ED*4X60L**	*8MX*1102120**	1.00	0.92	ED*4X60J**	*9MVX060	1.00	0.96
ED*4X60L**	*8MX*1352420**	1.00	0.92	ED*4X42J**	*9MVX080	0.96	0.93
ED*4X60L**	*8MV*1102120**	1.00	0.92	ENH4X48*21**	*9MVX100	0.99	0.95
ED*4X60L**	*8MV*1352422**	1.00	0.92	ED*4X60J**	*9MX*1002116A**	0.99	0.93

COOLING Multiplying Factors for other Indoor Combinations

Indoor Cooling Model	Furnace Model	CAPACITY (MBh)	Power (AMPS)	Indoor Cooling Model	Furnace Model	CAPACITY (MBh)	Power (AMPS)
EHD4X60L**	*9MX*1202422A**	1.00	0.92	EHD4X42A**	OMV112K14A	0.98	0.94
ED*4X60L**	*9MV*1202422A**	0.99	0.91	EN(A,D)4X43*24**	*8MPV100	1.00	0.92
EHD4X42A**	*8MX*0701716**	0.98	0.98	ED*4X42L**	*9MA*0602120A**	0.95	0.91
EHD4X42A**	*8MX*0902116**	0.98	0.94	ENH4X48*21**	*9MA*0602120A**	0.96	0.91
EHD4X42A**	*8MX*1102120**	0.98	0.90	EHD4X42A**	*9MVX060	0.98	0.98
EHD4X42A**	*8MX*1352420**	0.98	0.94	ED*4X48J**	*9MVX080	0.98	0.94
EHD4X42A**	*8MV*0701412**	0.98	0.94	EN(A,D)4X48*24**	*9MVX080	0.99	0.99
EHD4X42A**	*8MV*0901716**	0.98	0.94	ED*4X42L**	*9MVX100	0.96	0.93
EHD4X42A**	*8MV*1102120**	0.98	0.94	ENH4X48*21**	*9MVX100	0.99	0.95
EHD4X42A**	*8MV*1352422**	0.98	0.90	ED*4X60L**	*9MX*1002116A**	0.99	0.93
EHD4X42A**	*9MX*0601714A**	0.98	0.94	EA*4X42*21A*	*9MV*1002116A**	0.96	0.93
EHD4X42A**	*9MX*0801716A**	0.98	0.94	EHD4X60A**	*9MV*1002116A**	1.00	0.94
EHD4X42A**	*9MX*0802120A**	0.99	0.93	ED*4X60J**	*9MA*1002120A**	0.98	0.92
EHD4X42A**	*9MX*1002120A**	0.98	0.90	EN(A,D)4X43*24**	OLV112A16A	0.99	0.95
EHD4X42A**	*9MX*1202422A**	0.99	0.93	EHD4X48A**	OMV112K14A	0.98	0.94
EHD4X42A**	*9MV*0601714A**	0.98	0.94	EA*4X48*21A*	MV12**17C*	0.98	0.90
EHD4X42A**	*9MV*0801716A**	0.98	0.94	ED*4X42J**	*9MPV100	0.96	0.93
EHD4X42A**	*9MV*0802120A**	0.98	0.90	ED*4X60J**	*9MPV100	1.00	0.96
EHD4X42A**	*9MV*1002120A**	0.98	0.90	EHD4X42A**	MV20**24C*	0.99	0.90
EHD4X42A**	*9MV*1202422A**	0.98	0.92	EN(A,D)4X43*24**	*8MPV125	1.00	0.92
EHD4X42A**	*9MA*0601714A**	0.96	0.93	EN(A,D)4X48*24**	*9MPV100	0.99	0.95
EHD4X42A**	*9MA*0801714A**	0.96	0.91	EN(A,D,W)4X48*21**	*9MPV075	0.99	0.99
EHD4X42A**	*9MA*0802120A**	0.98	0.90	ENH4X42*21**	*9MPV100	0.96	0.96
EHD4X42A**	*9MA*1002122A**	0.98	0.90	ENH4X48*21**	*8MPV125	0.99	0.95
EHD4X48A**	*8MX*0701716**	0.99	0.99	ED*4X48F**	*9MA*0602120A**	0.96	0.91
EHD4X48A**	*8MX*0902116**	0.99	0.95	ED*4X60J**	NOMV156E19*	1.00	0.92
EHD4X48A**	*8MX*1102120**	0.99	0.95	EHD4X48A**	*9MVX060	0.99	0.99
EHD4X48A**	*8MX*1352420**	0.99	0.95	ED*4X60J**	*9MVX080	1.00	0.96
EHD4X48A**	*8MV*0701412**	0.99	0.95	EN(A,D,W)4X42*21**	*9MVX080	0.96	0.96
EHD4X48A**	*8MV*0901716**	0.99	0.95	ED*4X48L**	*9MVX100	0.98	0.94

COOLING Multiplying Factors for other Indoor Combinations

Indoor Cooling Model	Furnace Model	CAPACITY (MBh)	Power (AMPS)	Indoor Cooling Model	Furnace Model	CAPACITY (MBh)	Power (AMPS)
EHD4X48A**	*8MV*1102120**	0.99	0.95	EA*4X42*21A*	*9MX*1002116A**	0.95	0.91
EHD4X48A**	*8MV*1352422**	0.99	0.91	EHD4X42A**	*9MX*1002116A**	0.98	0.92
EHD4X48A**	*9MX*0601714A**	0.98	0.94	EA*4X42*24A*	*9MV*1002116A**	0.96	0.93
EHD4X48A**	*9MX*0801716A**	0.99	0.95	EN(A,D)4X43*24**	*9MV*1002116A**	0.98	0.90
EHD4X48A**	*9MX*0802120A**	0.99	0.91	ED*4X60L**	*9MA*1002120A**	0.98	0.92
EHD4X48A**	*9MX*1002120A**	0.98	0.90	EN(A,D)4X48*24**	OLV112A16A	0.98	0.98
EHD4X48A**	*9MX*1202422A**	0.99	0.93	EN(A,D,W)4X42*21**	OMV112K14A	0.95	0.95
EHD4X48A**	*9MV*0601714A**	0.98	0.94	EA*4X48*21A*	MV16**21C*	0.98	0.90
EHD4X48A**	*9MV*0801716A**	0.98	0.92	ED*4X42J**	MV16J22**B*	0.96	0.89
EHD4X48A**	*9MV*0802120A**	0.98	0.90	ED*4X60J**	MV12F19**B*	1.00	0.92
EHD4X48A**	*9MV*1002120A**	0.98	0.90	EHD4X48A**	-	0.99	0.99
EHD4X48A**	*9MV*1202422A**	0.98	0.90	EN(A,D)4X43*24**	*9MPV100	1.00	0.96
EHD4X48A**	*9MA*0601714A**	0.96	0.93	EN(A,D)4X48*24**	*9MPV125	0.99	0.95
EHD4X48A**	*9MA*0801714A**	0.98	0.92	EN(A,D,W)4X48*21**	MV12F19**B*	0.99	0.91
EHD4X48A**	*9MA*0802120A**	0.98	0.90	ENH4X42*21**	*9MPV125	0.96	0.93
EHD4X48A**	*9MA*1002122A**	0.99	0.91	ENH4X48*21**	*9MPV075	0.98	0.98
EHD4X60A**	*9MX*0601714A**	0.99	0.93	EA*4X48*21A*	*9MV*1002116A**	0.98	0.94
EHD4X60A**	*9MX*0801716A**	1.00	0.94	EN(A,D)4X48*24**	*9MV*1002116A**	0.98	0.92
EHD4X60A**	*9MX*0802120A**	1.00	0.92	EHD4X42A**	*9MA*1002120A**	0.98	0.92
EHD4X60A**	*9MX*1002120A**	1.00	0.92	EN(A,D,W)4X42*21**	OLV112A16A	0.96	0.96
EHD4X60A**	*9MX*1202422A**	1.00	0.92	EN(A,D,W)4X48*21**	OMV112K14A	0.98	0.94
EHD4X60A**	*9MV*0601714A**	0.99	0.95	EA*4X48*24A*	-	0.98	0.98
EHD4X60A**	*9MV*0801716A**	0.99	0.93	ED*4X42L**	-	0.96	1.01
EHD4X60A**	*9MV*0802120A**	1.00	0.92	ED*4X60J**	MV16J22**B*	1.00	0.92
EHD4X60A**	*9MV*1002120A**	1.00	0.92	EHD4X48A**	*8MPV075	0.99	0.95
EHD4X60A**	*9MV*1202422A**	1.00	0.92	EN(A,D)4X43*24**	*9MPV125	1.00	0.96
EHD4X60A**	*9MA*0601714A**	0.98	0.92	EN(A,D)4X48*24**	MV16**21C*	0.99	0.90
EHD4X60A**	*9MA*0801714A**	0.99	0.93	EN(A,D,W)4X48*21**	*9MPV075	0.99	0.99
EHD4X60A**	*9MA*0802120A**	0.99	0.91	ENH4X42*21**	MV12**17C*	0.96	0.91
EHD4X60A**	*9MA*1002122A**	1.00	0.91	ENH4X48*21**	*9MPV100	0.99	0.95

COOLING Multiplying Factors for other Indoor Combinations

Indoor Cooling Model	Furnace Model	CAPACITY (MBh)	Power (AMPS)	Indoor Cooling Model	Furnace Model	CAPACITY (MBh)	Power (AMPS)
EN(A,D)4X43*24**	*8MX*0902116**	1.00	0.92	ED*4X60L**	NOMV156E19*	1.00	0.96
EN(A,D)4X43*24**	*8MX*1102120**	1.00	0.92	EN(A,D,W)4X42*21**	*9MVX060	0.96	0.96
EN(A,D)4X43*24**	*8MX*1352420**	1.00	0.92	ED*4X60L**	*9MVX080	1.00	0.96
EN(A,D)4X43*24**	*8MV*1102120**	1.00	0.92	EA*4X42*24A*	*9MX*1002116A**	0.95	0.91
EN(A,D)4X43*24**	*8MV*1352422**	1.00	0.92	EHD4X48A**	*9MX*1002116A**	0.98	0.92
EN(A,D)4X43*24**	*9MX*0802120A**	1.00	0.92	EHD4X48A**	*9MA*1002120A**	0.98	0.92
EN(A,D)4X43*24**	*9MX*1002120A**	0.99	0.91	EN(A,D,W)4X48*21**	OLV112A16A	0.98	0.98
EN(A,D)4X43*24**	*9MX*1202422A**	1.00	0.92	END4X42*17**	OMV112K14A	0.96	0.96
EN(A,D)4X43*24**	*9MV*0802120A**	0.99	0.91	ED*4X60L**	-	1.00	1.00
EN(A,D)4X43*24**	*9MV*1002120A**	0.99	0.91	EHD4X48A**	*8MPV100	0.99	0.95
EN(A,D)4X43*24**	*9MV*1202422A**	0.99	0.91	EN(A,D)4X43*24**	MV16J22**B*	1.00	0.92
EN(A,D)4X43*24**	*9MA*0802120A**	0.98	0.90	ENH4X42*21**	MV16**21C*	0.96	0.91
EN(A,D)4X43*24**	*9MA*1002122A**	0.99	0.91	ENH4X48*21**	*9MPV125	0.99	0.95
EN(A,D)4X48*24**	*8MX*0902116**	0.99	0.99	EHD4X42A**	NOMV156E19*	0.98	0.94
EN(A,D)4X48*24**	*8MX*1102120**	0.99	0.99	EN(A,D,W)4X42*21**	*9MVX060	0.96	0.96
EN(A,D)4X48*24**	*8MX*1352420**	0.99	0.99	EHD4X42A**	*9MVX080	0.98	0.94
EN(A,D)4X48*24**	*8MV*1102120**	0.99	0.99	EA*4X48*21A*	*9MX*1002116A**	0.96	0.91
EN(A,D)4X48*24**	*8MV*1352422**	0.99	0.99	EHD4X60A**	*9MX*1002116A**	0.99	0.93
EN(A,D)4X48*24**	*9MX*0802120A**	0.99	0.93	EHD4X60A**	*9MA*1002120A**	0.99	0.91
EN(A,D)4X48*24**	*9MX*1002120A**	0.98	0.90	ENH4X42*21**	OLV112A16A	0.96	0.96
EN(A,D)4X48*24**	*9MX*1202422A**	0.99	0.93	ENH4X42*21**	OMV112K14A	0.95	0.95
EN(A,D)4X48*24**	*9MV*0802120A**	0.98	0.90	ED*4X60L**	*8MPV100	1.00	0.96
EN(A,D)4X48*24**	*9MV*1002120A**	0.98	0.90	EHD4X48A**	*8MPV125	0.99	0.95
EN(A,D)4X48*24**	*9MV*1202422A**	0.98	0.90	EN(A,D)4X43*24**	MV20L24**B*	1.00	0.92
EN(A,D)4X48*24**	*9MA*0802120A**	0.96	0.89	ENH4X43*21**	-	1.00	1.00
EN(A,D)4X48*24**	*9MA*1002122A**	0.98	0.90	ENH4X48*21**	MV12F19**B*	0.99	0.91
EN(A,D,W)4X42*21**	*8MX*0701716**	0.96	0.96	ED*4X48J**	*9MA*0602120A**	0.96	0.91
EN(A,D,W)4X42*21**	*8MX*0902116**	0.96	0.93	EHD4X48A**	NOMV156E19*	0.99	0.95
EN(A,D,W)4X42*21**	*8MX*1102120**	0.96	0.93	EN(A,D,W)4X48*21**	*9MVX060	0.99	0.99
EN(A,D,W)4X42*21**	*8MV*0901716**	0.96	0.93	ED*4X60L**	*9MVX100	1.00	0.96

COOLING Multiplying Factors for other Indoor Combinations

Indoor Cooling Model	Furnace Model	CAPACITY (MBh)	Power (AMPS)	Indoor Cooling Model	Furnace Model	CAPACITY (MBh)	Power (AMPS)
EN(A,D,W)4X42*21**	*8MV*1102120**	0.96	0.93	EA*4X48*24A*	*9MX*1002116A**	0.96	0.91
EN(A,D,W)4X42*21**	*9MX*0601714A**	0.95	0.95	EA*4X48*24A*	*9MV*1002116A**	0.98	0.92
EN(A,D,W)4X42*21**	*9MX*0801716A**	0.96	0.93	EN(A,D,W)4X42*21**	*9MV*1002116A**	0.96	0.93
EN(A,D,W)4X42*21**	*9MX*0802120A**	0.96	0.91	EN(A,D)4X43*24**	*9MA*1002120A**	0.98	0.90
EN(A,D,W)4X42*21**	*9MX*1002120A**	0.95	0.90	ENH4X43*21**	OLV112A16A	0.99	0.95
EN(A,D,W)4X42*21**	*9MV*0601714A**	0.95	0.95	EA*4X48*24A*	MV16**21C*	0.98	0.89
EN(A,D,W)4X42*21**	*9MV*0801716A**	0.95	0.91	ED*4X42L**	*9MPV125	0.96	0.93
EN(A,D,W)4X42*21**	*9MV*0802120A**	0.95	0.90	ED*4X60L**	*8MPV125	1.00	0.96
EN(A,D,W)4X42*21**	*9MV*1002120A**	0.95	0.90	EHD4X48A**	*9MPV075	0.99	0.99
EN(A,D,W)4X42*21**	*9MA*0601714A**	0.95	0.95	EN(A,D)4X48*24**	MV20**24C*	0.98	0.89
EN(A,D,W)4X42*21**	*9MA*0801714A**	0.95	0.91	EN(A,D,W)4X48*21**	*9MPV100	0.99	0.95
EN(A,D,W)4X42*21**	*9MA*0802120A**	0.95	0.90	ENH4X43*21**	*8MPV075	1.00	0.96
EN(A,D,W)4X42*21**	*9MA*1002122A**	0.96	0.91	ENH4X48*21**	MV16J22**B*	0.99	0.91
EN(A,D,W)4X48*21**	*8MX*0701716**	0.99	0.99	ED*4X48L**	*9MA*0602120A**	0.96	0.91
EN(A,D,W)4X48*21**	*8MX*0902116**	0.99	0.95	EN(A,D)4X43*24**	NOMV156E19*	1.00	0.92
EN(A,D,W)4X48*21**	*8MX*1102120**	0.99	0.95	EN(A,D,W)4X48*21**	*9MVX060	0.99	0.99
EN(A,D,W)4X48*21**	*8MV*0901716**	0.99	0.95	EHD4X42A**	*9MVX100	0.98	0.94
EN(A,D,W)4X48*21**	*8MV*1102120**	0.99	0.95	EA*4X60*21A*	*9MX*1002116A**	0.99	0.93
EN(A,D,W)4X48*21**	*9MX*0601714A**	0.98	0.94	EA*4X60*21A*	*9MV*1002116A**	0.99	0.93
EN(A,D,W)4X48*21**	*9MX*0801716A**	0.98	0.94	EN(A,D,W)4X48*21**	*9MV*1002116A**	0.98	0.92
EN(A,D,W)4X48*21**	*9MX*0802120A**	0.99	0.93	EN(A,D)4X48*24**	*9MA*1002120A**	0.96	0.91
EN(A,D,W)4X48*21**	*9MX*1002120A**	0.98	0.90	ENH4X48*21**	OLV112A16A	0.98	0.98
EN(A,D,W)4X48*21**	*9MV*0601714A**	0.98	0.94	EA*4X48*24A*	MV20**24C*	0.98	0.89
EN(A,D,W)4X48*21**	*9MV*0801716A**	0.98	0.94	ED*4X42L**	MV20L24**B*	0.96	0.89
EN(A,D,W)4X48*21**	*9MV*0802120A**	0.98	0.90	ED*4X60L**	*9MPV100	1.00	0.96
EN(A,D,W)4X48*21**	*9MV*1002120A**	0.98	0.90	EHD4X48A**	*9MPV100	0.99	0.95
EN(A,D,W)4X48*21**	*9MA*0601714A**	0.96	0.93	EN(A,D)4X61*24**	MV16**21C*	1.01	0.90
EN(A,D,W)4X48*21**	*9MA*0801714A**	0.96	0.91	EN(A,D,W)4X48*21**	MV12**17C*	0.98	0.90
EN(A,D,W)4X48*21**	*9MA*0802120A**	0.96	0.89	ENH4X43*21**	*8MPV100	1.00	0.96
EN(A,D,W)4X48*21**	*9MA*1002122A**	0.98	0.90	ENH4X48*21**	MV20L24**B*	0.99	0.91

COOLING Multiplying Factors for other Indoor Combinations

Indoor Cooling Model	Furnace Model	CAPACITY (MBh)	Power (AMPS)	Indoor Cooling Model	Furnace Model	CAPACITY (MBh)	Power (AMPS)
EN(A,D,W)4X60*24**	*9MX*1202422A**	1.00	0.92	ENH4X43*21**	OMV112K14A	0.99	0.95
EN(A,D,W)4X60*24**	*9MV*1202422A**	0.99	0.91	EN(A,D)4X43*24**	*9MPV100	1.00	0.96
END4X42*17**	*8MX*0701716**	0.98	0.98	ED*4X60J**	*9MA*0602120A**	0.98	0.92
END4X42*17**	*8MV*0701412**	0.98	0.94	EN(A,D,W)4X48*21**	*9MVX080	0.99	0.95
END4X42*17**	*8MV*0901716**	0.98	0.94	EHD4X48A**	*9MVX100	0.99	0.95
END4X42*17**	*9MX*0601714A**	0.96	0.93	EA*4X60*24A*	*9MV*1002116A**	0.99	0.93
END4X42*17**	*9MX*0801716A**	0.96	0.93	EN(A,D,W)4X60*24**	*9MV*1002116A**	0.99	0.93
END4X42*17**	*9MV*0601714A**	0.96	0.96	EA*4X60*21A*	MV12**17C*	0.99	0.90
END4X42*17**	*9MV*0801716A**	0.96	0.93	ED*4X48F**	-	0.98	0.98
END4X42*17**	*9MA*0601714A**	0.95	0.91	EN(A,D)4X61*24**	MV20**24C*	1.00	0.89
END4X42*17**	*9MA*0801714A**	0.95	0.91	EN(A,D,W)4X48*21**	MV16**21C*	0.99	0.90
ENH4X42*21**	*8MX*0701716**	0.96	0.96	EHD4X42A**	*9MA*0602120A**	0.96	0.91
ENH4X42*21**	*8MX*0902116**	0.96	0.93	EN(A,D)4X48*24**	NOMV156E19*	0.99	0.99
ENH4X42*21**	*8MX*1102120**	0.96	0.93	END4X42*17**	*9MVX060	0.96	0.96
ENH4X42*21**	*8MX*1352420**	0.96	0.93	EHD4X48A**	*9MVX080	0.99	0.95
ENH4X42*21**	*8MV*0701412**	0.96	0.93	ENH4X42*21**	*9MVX080	0.96	0.96
ENH4X42*21**	*8MV*0901716**	0.96	0.93	EN(A,D)4X43*24**	*9MVX100	1.00	0.96
ENH4X42*21**	*8MV*1102120**	0.96	0.93	EA*4X60*24A*	*9MX*1002116A**	0.99	0.93
ENH4X42*21**	*8MV*1352422**	0.96	0.93	EN(A,D)4X43*24**	*9MX*1002116A**	0.99	0.93
ENH4X42*21**	*9MX*0601714A**	0.95	0.95	ED*4X42F**	*9MV*1002116A**	0.95	0.91
ENH4X42*21**	*9MX*0801716A**	0.96	0.93	ENH4X42*21**	*9MV*1002116A**	0.96	0.93
ENH4X42*21**	*9MX*0802120A**	0.96	0.91	EN(A,D,W)4X42*21**	*9MA*1002120A**	0.95	0.91
ENH4X42*21**	*9MX*1002120A**	0.95	0.90	ED*4X42L**	OLV154F20A	0.98	0.94
ENH4X42*21**	*9MX*1202422A**	0.96	0.91	ENH4X48*21**	OMV112K14A	0.98	0.94
ENH4X42*21**	*9MV*0601714A**	0.95	0.95	EA*4X60*21A*	MV16**21C*	1.00	0.91
ENH4X42*21**	*9MV*0801716A**	0.95	0.91	ED*4X48F**	*8MPV075	0.98	0.98
ENH4X42*21**	*9MV*0802120A**	0.95	0.90	ED*4X60L**	*9MPV125	1.00	0.96
ENH4X42*21**	*9MV*1002120A**	0.95	0.90	EHD4X48A**	*9MPV125	0.99	0.95
ENH4X42*21**	*9MV*1202422A**	0.95	0.90	EN(A,D)4X43*24**	*9MPV125	1.00	0.96
ENH4X42*21**	*9MA*0601714A**	0.95	0.95	EN(A,D,W)4X42*21**	-	0.96	1.01

COOLING Multiplying Factors for other Indoor Combinations

Indoor Cooling Model	Furnace Model	CAPACITY (MBh)	Power (AMPS)	Indoor Cooling Model	Furnace Model	CAPACITY (MBh)	Power (AMPS)
ENH4X42*21**	*9MA*0801714A**	0.95	0.91	EN(A,D,W)4X60*24**	MV16**21C*	1.00	0.91
ENH4X42*21**	*9MA*0802120A**	0.95	0.90	ENH4X43*21**	*8MPV125	1.00	0.92
ENH4X42*21**	*9MA*1002122A**	0.96	0.91	ENH4X48*21**	*9MPV075	0.98	0.98
ENH4X43*21**	*8MX*0701716**	1.00	0.96	EHD4X48A**	*9MA*0602120A**	0.98	0.92
ENH4X43*21**	*8MX*0902116**	1.00	0.92	EN(A,D,W)4X42*21**	NOMV156E19*	0.96	0.93
ENH4X43*21**	*8MX*1102120**	1.00	0.92	ENH4X42*21**	*9MVX060	0.96	0.96
ENH4X43*21**	*8MX*1352420**	1.00	0.92	EN(A,D)4X43*24**	*9MVX080	1.00	0.96
ENH4X43*21**	*8MV*0701412**	0.99	0.95	ENH4X42*21**	*9MVX080	0.96	0.96
ENH4X43*21**	*8MV*0901716**	1.00	0.92	EN(A,D)4X43*24**	*9MVX100	1.00	0.96
ENH4X43*21**	*8MV*1102120**	1.00	0.92	ED*4X42F**	*9MX*1002116A**	0.95	0.91
ENH4X43*21**	*8MV*1352422**	1.00	0.92	EN(A,D)4X48*24**	*9MX*1002116A**	0.98	0.92
ENH4X43*21**	*9MX*0601714A**	0.99	0.95	ED*4X42J**	*9MV*1002116A**	0.96	0.93
ENH4X43*21**	*9MX*0801716A**	0.99	0.93	ENH4X43*21**	*9MV*1002116A**	0.98	0.92
ENH4X43*21**	*9MX*0802120A**	1.00	0.92	EN(A,D,W)4X48*21**	*9MA*1002120A**	0.96	0.91
ENH4X43*21**	*9MX*1002120A**	0.99	0.91	ED*4X48L**	OLV154F20A	1.00	0.96
ENH4X43*21**	*9MX*1202422A**	1.00	0.92	EA*4X42*21A*	-	0.96	0.99
ENH4X43*21**	*9MV*0601714A**	0.99	0.95	EA*4X60*24A*	MV16**21C*	1.00	0.91
ENH4X43*21**	*9MV*0801716A**	0.99	0.93	ED*4X48F**	*9MPV075	0.98	0.98
ENH4X43*21**	*9MV*0802120A**	0.99	0.91	ED*4X60L**	MV16J22**B*	1.00	0.92
ENH4X43*21**	*9MV*1002120A**	0.99	0.91	EHD4X48A**	MV12F19**B*	0.99	0.87
ENH4X43*21**	*9MV*1202422A**	0.98	0.90	EN(A,D)4X43*24**	MV16**21C*	1.00	0.91
ENH4X43*21**	*9MA*0601714A**	0.98	0.94	EN(A,D,W)4X42*21**	*8MPV075	0.96	0.96
ENH4X43*21**	*9MA*0801714A**	0.98	0.92	EN(A,D,W)4X60*24**	MV20**24C*	0.99	0.90
ENH4X43*21**	*9MA*0802120A**	0.98	0.90	ENH4X43*21**	*9MPV075	0.99	0.99
ENH4X43*21**	*9MA*1002122A**	0.99	0.91	ENH4X48*21**	*9MPV100	0.99	0.95
ENH4X48*21**	*8MX*0701716**	0.99	0.99	EHD4X60A**	*9MA*0602120A**	0.98	0.90
ENH4X48*21**	*8MX*0902116**	0.99	0.95	EN(A,D,W)4X48*21**	NOMV156E19*	0.99	0.95
ENH4X48*21**	*8MX*1102120**	0.99	0.91	ENH4X42*21**	*9MVX060	0.96	0.96
ENH4X48*21**	*8MX*1352420**	0.99	0.95	EN(A,D)4X43*24**	*9MVX080	1.00	0.96
ENH4X48*21**	*8MV*0701412**	0.99	0.95	ENH4X43*21**	*9MVX080	1.00	0.96

COOLING Multiplying Factors for other Indoor Combinations

Indoor Cooling Model	Furnace Model	CAPACITY (MBh)	Power (AMPS)	Indoor Cooling Model	Furnace Model	CAPACITY (MBh)	Power (AMPS)
ENH4X48*21**	*8MV*0901716**	0.99	0.95	EN(A,D)4X48*24**	*9MVX100	0.99	0.99
ENH4X48*21**	*8MV*1102120**	0.99	0.95	ED*4X42J**	*9MX*1002116A**	0.95	0.91
ENH4X48*21**	*8MV*1352422**	0.99	0.91	EN(A,D,W)4X42*21**	*9MX*1002116A**	0.95	0.91
ENH4X48*21**	*9MX*0601714A**	0.98	0.94	ED*4X42L**	*9MV*1002116A**	0.96	0.93
ENH4X48*21**	*9MX*0801716A**	0.98	0.94	ENH4X48*21**	*9MV*1002116A**	0.98	0.92
ENH4X48*21**	*9MX*0802120A**	0.99	0.93	EN(A,D,W)4X60*24**	*9MA*1002120A**	0.98	0.90
ENH4X48*21**	*9MX*1002120A**	0.98	0.90	EHD4X42A**	OLV154F20A	1.00	0.96
ENH4X48*21**	*9MX*1202422A**	0.99	0.93	EA*4X42*21A*	MV12**17C*	0.96	0.91
ENH4X48*21**	*9MV*0601714A**	0.98	0.94	EA*4X60*24A*	MV20**24C*	0.99	0.90
ENH4X48*21**	*9MV*0801716A**	0.98	0.94	ED*4X48F**	MV12F19**B*	0.98	0.90
ENH4X48*21**	*9MV*0802120A**	0.98	0.90	ED*4X60L**	MV20L24**B*	1.00	0.92
ENH4X48*21**	*9MV*1002120A**	0.98	0.90	EHD4X48A**	MV16J22**B*	0.99	0.91
ENH4X48*21**	*9MV*1202422A**	0.98	0.90	EN(A,D)4X43*24**	MV20**24C*	0.99	0.90
ENH4X48*21**	*9MA*0601714A**	0.96	0.93	EN(A,D,W)4X42*21**	*9MPV075	0.96	1.01
ENH4X48*21**	*9MA*0801714A**	0.96	0.91	END4X42*17**	-	0.98	1.02
ENH4X48*21**	*9MA*0802120A**	0.96	0.89	ENH4X43*21**	*9MPV100	1.00	0.96
ENH4X48*21**	*9MA*1002122A**	0.98	0.90	ENH4X48*21**	*9MPV125	0.99	0.95
ENH4X60*24**	*9MX*0601714A**	0.99	0.95	ED*4X48F**	*9MV*1002116A**	0.98	0.92
ENH4X60*24**	*9MX*0801716A**	0.99	0.93	ENH4X60*24**	*9MV*1002116A**	0.99	0.93
ENH4X60*24**	*9MX*1202422A**	1.00	0.92	EA*4X42*21A*	MV16**21C*	0.96	0.89
ENH4X60*24**	*9MV*0601714A**	0.99	0.95	ED*4X42F**	-	0.96	1.01
ENH4X60*24**	*9MV*0801716A**	0.99	0.93	ED*4X48J**	-	0.98	0.98
ENH4X60*24**	*9MV*1202422A**	0.99	0.91	EN(A,D)4X48*24**	-	0.99	0.99
ENH4X60*24**	*9MA*0601714A**	0.98	0.92	EN(A,D,W)4X42*21**	MV12F19**B*	0.96	0.93
ENH4X60*24**	*9MA*0801714A**	0.98	0.92	END4X42*17**	*9MPV075	0.96	0.96
FEM4P42**A*	-	0.99	0.95	ED*4X60J**	*9MA*1202422A**	0.98	0.90
FEM4P48**A*	-	0.99	0.95	ED*4X60L**	*9MA*1202422A**	0.98	0.90
FEM4P60**A*	-	1.00	0.96	EHD4X42A**	*9MA*1202422A**	0.98	0.90
FEM4X42****	-	0.99	0.95	EHD4X48A**	*9MA*1202422A**	0.98	0.90
FEM4X48****	-	1.00	0.96	EHD4X60A**	*9MA*1202422A**	0.99	0.91

COOLING Multiplying Factors for other Indoor Combinations

Indoor Cooling Model	Furnace Model	CAPACITY (MBh)	Power (AMPS)	Indoor Cooling Model	Furnace Model	CAPACITY (MBh)	Power (AMPS)
FEM4X60**B*	-	1.00	0.96	EN(A,D)4X43*24**	*9MA*1202422A**	0.99	0.91
FS(M,U)4P42**A*	-	0.98	0.98	EN(A,D)4X48*24**	*9MA*1202422A**	0.96	0.89
FS(M,U)4P48**A*	-	1.00	1.00	EN(A,D,W)4X60*24**	*9MA*1202422A**	0.98	0.90
FS(M,U)4X42****	-	0.98	1.02	ENH4X42*21**	*9MA*1202422A**	0.95	0.90
FS(M,U)4X48****	-	0.99	1.03	ENH4X43*21**	*9MA*1202422A**	0.98	0.90
FVM4X36****	-	0.96	0.93	ENH4X48*21**	*9MA*1202422A**	0.96	0.89
FVM4X48****	-	0.99	0.91	ENH4X60*24**	*9MA*1202422A**	0.98	0.90
FVM4X60****	-	1.00	0.92	EA*4X42*21A*	*9MA*0602120A**	0.95	0.91
FXM4X42**A*	-	0.99	0.95	EA*4X42*24A*	*9MA*0602120A**	0.95	0.91
FXM4X48**A*	-	1.01	0.93	EA*4X48*21A*	*9MA*0602120A**	0.96	0.91
FXM4X60**A*	-	1.02	0.95	EA*4X48*24A*	*9MA*0602120A**	0.96	0.91
NXA648							
*ED*4X60L**	-	1.00	1.00	ENH4X61*24**	*9MA*1202422A**	0.98	0.90
EA*4X48*17A*	*8MV*0901716**	0.97	0.91	ENH4X60*24**	*9MVX100	0.99	0.95
EA*4X48*21A*	*8MX*0902116**	0.97	0.91	EHD4X48A**	NOMV156E19*	0.98	0.94
EA*4X48*21A*	*8MX*1102120**	0.97	0.89	EN(A,D)4X48*24**	*9MVX080	0.97	0.93
EA*4X48*21A*	*8MV*0901716**	0.91	0.86	ENH4X60*24**	*9MVX100	0.99	0.95
EA*4X48*21A*	*8MV*1102120**	0.91	0.86	ED*4X48J**	*9MX*1002116A**	0.91	0.88
EA*4X48*21A*	*9MX*0802120A**	0.97	0.91	ENH4X60*24**	*9MV*1002116A**	0.98	0.92
EA*4X48*21A*	*9MX*1002120A**	0.91	0.86	ENH4X60*24**	*9MA*1002120A**	0.97	0.91
EA*4X48*21A*	*9MV*0801716A**	0.91	0.88	EA*4X60*21A*	-	0.99	0.95
EA*4X48*21A*	*9MV*0802120A**	0.96	0.90	ED*4X48J**	*9MPV100	0.98	0.98
EA*4X48*21A*	*9MV*1002120A**	0.96	0.90	EHD4X48A**	MV20L24**B*	0.98	0.90
EA*4X48*21A*	*9MA*0802120A**	0.96	0.90	EN(A,D)4X61*24**	*9MPV125	1.00	0.96
EA*4X48*21A*	*9MA*1002122A**	0.96	0.88	ENH4X48*21**	*8MPV100	0.98	0.94
EA*4X48*24A*	*8MX*0902116**	0.97	0.91	EHD4X60A**	NOMV156E19*	0.98	0.94
EA*4X48*24A*	*8MX*1102120**	0.97	0.89	EN(A,D)4X48*24**	*9MVX080	0.97	0.93
EA*4X48*24A*	*8MX*1352420**	0.97	0.89	ED*4X48L**	*9MVX100	0.98	0.94
EA*4X48*24A*	*8MV*1102120**	0.91	0.84	ED*4X48L**	*9MX*1002116A**	0.91	0.88
EA*4X48*24A*	*8MV*1352422**	0.97	0.89	EA*4X48*21A*	*9MV*1002116A**	0.91	0.88

COOLING Multiplying Factors for other Indoor Combinations

Indoor Cooling Model	Furnace Model	CAPACITY (MBh)	Power (AMPS)	Indoor Cooling Model	Furnace Model	CAPACITY (MBh)	Power (AMPS)
EA*4X48*24A*	*9MX*0802120A**	0.97	0.91	ENH4X61*24**	*9MV*1002116A**	0.98	0.92
EA*4X48*24A*	*9MX*1002120A**	0.97	0.91	ENH4X61*24**	*9MA*1002120A**	0.98	0.92
EA*4X48*24A*	*9MX*1202422A**	0.97	0.91	EHD4X48A**	OLV154F20A	0.99	0.99
EA*4X48*24A*	*9MV*0802120A**	0.96	0.90	ED*4X48J**	MV16J22**B*	0.98	0.90
EA*4X48*24A*	*9MV*1002120A**	0.97	0.89	EHD4X48A**	MV16**21C*	0.98	0.89
EA*4X48*24A*	*9MV*1202422A**	0.97	0.91	EN(A,D)4X48*24**	MV16J22**B*	0.97	0.89
EA*4X48*24A*	*9MA*0802120A**	0.96	0.88	EN(A,D)4X61*24**	MV16**21C*	1.00	0.88
EA*4X48*24A*	*9MA*1002122A**	0.97	0.89	ENH4X48*21**	*8MPV125	0.98	0.94
EA*4X48*24A*	*9MA*1202422A**	0.91	0.86	ENH4X60*24**	MV16**21C*	0.99	0.88
EA*4X60*21A*	*8MX*0902116**	0.98	0.90	EN(A,D)4X48*24**	NOMV156E19*	0.97	0.93
EA*4X60*21A*	*8MX*1102120**	0.98	0.90	EN(A,D)4X61*24**	*9MVX080	1.00	0.96
EA*4X60*21A*	*8MV*0901716**	0.98	0.90	ENH4X61*24**	*9MVX100	0.99	0.95
EA*4X60*21A*	*8MV*1102120**	0.98	0.90	ED*4X60J**	*9MX*1002116A**	0.98	0.92
EA*4X60*21A*	*9MX*0802120A**	0.98	0.90	EA*4X48*21A*	*9MA*1002120A**	0.91	0.88
EA*4X60*21A*	*9MX*1002120A**	0.98	0.90	ED*4X48F**	OLV112A16A	0.97	0.97
EA*4X60*21A*	*9MV*0801716A**	0.97	0.91	EA*4X60*21A*	MV16**21C*	0.99	0.88
EA*4X60*21A*	*9MV*0802120A**	0.98	0.90	ED*4X48L**	-	0.98	0.98
EA*4X60*21A*	*9MV*1002120A**	0.98	0.90	EHD4X48A**	MV20**24C*	0.98	0.89
EA*4X60*21A*	*9MA*0802120A**	0.97	0.89	EN(A,D)4X61*24**	MV20**24C*	0.99	0.87
EA*4X60*21A*	*9MA*1002122A**	0.98	0.90	ENH4X48*21**	*9MPV100	0.97	0.97
EA*4X60*24A*	*8MX*0902116**	0.99	0.91	EN(A,D)4X61*24**	NOMV156E19*	1.00	0.96
EA*4X60*24A*	*8MX*1102120**	0.99	0.91	EN(A,D)4X61*24**	*9MVX080	1.00	0.96
EA*4X60*24A*	*8MX*1352420**	0.99	0.91	ED*4X60L**	*9MVX100	0.99	0.95
EA*4X60*24A*	*8MV*1102120**	0.98	0.90	ED*4X60L**	*9MX*1002116A**	0.98	0.92
EA*4X60*24A*	*8MV*1352422**	0.98	0.90	EA*4X48*24A*	*9MV*1002116A**	0.91	0.88
EA*4X60*24A*	*9MX*0802120A**	0.98	0.90	EA*4X48*24A*	*9MA*1002120A**	0.91	0.88
EA*4X60*24A*	*9MX*1002120A**	0.98	0.90	ED*4X48J**	OLV112A16A	0.96	0.96
EA*4X60*24A*	*9MX*1202422A**	0.99	0.91	EHD4X60A**	OLV154F20A	1.00	0.96
EA*4X60*24A*	*9MV*0802120A**	0.98	0.90	ED*4X48L**	*9MPV125	0.98	0.94
EA*4X60*24A*	*9MV*1002120A**	0.98	0.90	EHD4X60A**	-	0.98	0.94

COOLING Multiplying Factors for other Indoor Combinations

Indoor Cooling Model	Furnace Model	CAPACITY (MBh)	Power (AMPS)	Indoor Cooling Model	Furnace Model	CAPACITY (MBh)	Power (AMPS)
EA*4X60*24A*	*9MV*1202422A**	0.98	0.90	EN(A,D)4X48*24**	MV20L24**B*	0.97	0.89
EA*4X60*24A*	*9MA*0802120A**	0.97	0.89	EN(A,D,W)4X48*21**	-	0.98	0.98
EA*4X60*24A*	*9MA*1002122A**	0.98	0.90	ENH4X48*21**	*9MPV125	0.97	0.93
EA*4X60*24A*	*9MA*1202422A**	0.98	0.90	ENH4X60*24**	MV20**24C*	0.98	0.87
ED*4X48F**	*9MX*0802120A**	0.97	0.91	EA*4X60*21A*	*9MA*1002120A**	0.97	0.91
ED*4X48F**	*9MX*1002120A**	0.97	0.89	ED*4X48L**	OLV112A16A	0.96	0.96
ED*4X48F**	*9MV*0802120A**	0.97	0.91	ED*4X48L**	MV20L24**B*	0.98	0.90
ED*4X48F**	*9MV*1002120A**	0.97	0.89	EHD4X60A**	*8MPV100	0.98	0.94
ED*4X48F**	*9MA*0802120A**	0.96	0.88	EN(A,D,W)4X48*21**	*9MPV100	0.97	0.97
ED*4X48F**	*9MA*1002122A**	0.97	0.89	ENH4X48*21**	MV16J22**B*	0.98	0.90
ED*4X48J**	*9MX*0802120A**	0.97	0.91	EA*4X60*24A*	*9MA*1002120A**	0.97	0.91
ED*4X48J**	*9MX*1002120A**	0.96	0.90	ED*4X60J**	OLV112A16A	0.98	0.98
ED*4X48J**	*9MX*1202422A**	0.97	0.91	EN(A,D)4X48*24**	OLV154F20A	0.98	0.98
ED*4X48J**	*9MV*0802120A**	0.96	0.90	ED*4X60J**	-	1.00	1.00
ED*4X48J**	*9MV*1002120A**	0.96	0.90	EHD4X60A**	*8MPV125	0.98	0.90
ED*4X48J**	*9MV*1202422A**	0.91	0.86	EN(A,D)4X48*24**	*9MPV100	0.97	0.93
ED*4X48J**	*9MA*0802120A**	0.96	0.90	EN(A,D,W)4X48*21**	MV16**21C*	0.97	0.88
ED*4X48J**	*9MA*1002122A**	0.96	0.88	ENH4X48*21**	MV20L24**B*	0.98	0.90
ED*4X48L**	*9MA*1202422A**	0.91	0.86	ENH4X61*24**	-	0.99	0.99
ED*4X48L**	*8MX*1352420**	0.98	0.94	EHD4X48A**	*9MVX100	0.98	0.94
ED*4X48L**	*8MV*1352422**	0.98	0.94	EA*4X60*21A*	*9MV*1002116A**	0.98	0.92
ED*4X48L**	*9MX*0802120A**	0.97	0.91	ED*4X48F**	*9MA*1002120A**	0.91	0.88
ED*4X48L**	*9MX*1002120A**	0.97	0.91	ED*4X60L**	OLV112A16A	0.98	0.98
ED*4X48L**	*9MX*1202422A**	0.97	0.91	EN(A,D)4X61*24**	OLV154F20A	1.01	0.97
ED*4X48L**	*9MV*0802120A**	0.96	0.90	ED*4X60J**	*8MPV100	1.00	0.96
ED*4X48L**	*9MV*1002120A**	0.97	0.89	EHD4X60A**	*9MPV100	0.98	0.94
ED*4X48L**	*9MV*1202422A**	0.97	0.91	EN(A,D)4X48*24**	*9MPV125	0.97	0.93
ED*4X48L**	*9MA*0802120A**	0.96	0.88	EN(A,D,W)4X60*24**	-	0.99	0.99
ED*4X48L**	*9MA*1002122A**	0.97	0.89	ENH4X48*21**	*9MPV100	0.97	0.97
ED*4X48L**	*9MA*1202422A**	0.91	0.86	ENH4X61*24**	*8MPV100	0.98	0.94

COOLING Multiplying Factors for other Indoor Combinations

Indoor Cooling Model	Furnace Model	CAPACITY (MBh)	Power (AMPS)	Indoor Cooling Model	Furnace Model	CAPACITY (MBh)	Power (AMPS)
ED*4X60J**	*9MX*0802120A**	0.98	0.90	ED*4X48J**	*9MA*1002120A**	0.91	0.88
ED*4X60J**	*9MX*1002120A**	0.98	0.90	EHD4X48A**	OLV112A16A	0.97	0.97
ED*4X60J**	*9MX*1202422A**	0.98	0.90	EN(A,D,W)4X60*24**	OLV154F20A	1.00	0.96
ED*4X60J**	*9MV*0802120A**	0.98	0.90	ED*4X60J**	*8MPV125	1.00	0.96
ED*4X60J**	*9MV*1002120A**	0.98	0.90	EHD4X60A**	*9MPV125	0.98	0.94
ED*4X60J**	*9MV*1202422A**	0.98	0.90	EN(A,D)4X48*24**	MV16**21C*	0.97	0.88
ED*4X60J**	*9MA*0802120A**	0.97	0.89	EN(A,D,W)4X60*24**	*8MPV100	0.99	0.95
ED*4X60J**	*9MA*1002122A**	0.98	0.90	ENH4X48*21**	*9MPV125	0.97	0.93
ED*4X60J**	*9MA*1202422A**	0.97	0.89	ENH4X61*24**	*8MPV125	0.99	0.91
ED*4X60L**	*8MX*1352420**	1.00	0.96	EHD4X60A**	*9MVX100	0.98	0.94
ED*4X60L**	*8MV*1352422**	0.99	0.95	EA*4X60*24A*	*9MV*1002116A**	0.98	0.92
ED*4X60L**	*9MX*0802120A**	0.98	0.90	ED*4X48L**	*9MA*1002120A**	0.91	0.88
ED*4X60L**	*9MX*1002120A**	0.98	0.90	EHD4X60A**	OLV112A16A	0.99	0.99
ED*4X60L**	*9MX*1202422A**	0.99	0.91	ENH4X48*21**	OLV154F20A	0.98	0.98
ED*4X60L**	*9MV*0802120A**	0.98	0.90	ED*4X60J**	*9MPV100	1.00	0.96
ED*4X60L**	*9MV*1002120A**	0.98	0.90	EHD4X60A**	MV16J22**B*	0.98	0.90
ED*4X60L**	*9MV*1202422A**	0.98	0.90	EN(A,D)4X48*24**	MV20**24C*	0.97	0.88
ED*4X60L**	*9MA*0802120A**	0.97	0.89	EN(A,D,W)4X60*24**	*8MPV125	0.99	0.95
ED*4X60L**	*9MA*1002122A**	0.98	0.90	ENH4X48*21**	MV16**21C*	0.97	0.88
ED*4X60L**	*9MA*1202422A**	0.98	0.90	ENH4X61*24**	*9MPV100	0.99	0.95
EHD4X48A**	*8MX*0701716**	0.98	1.02	EN(A,D)4X61*24**	*9MA*0602120A**	0.98	0.90
EHD4X48A**	*8MX*0902116**	0.98	0.94	EN(A,D,W)4X48*21**	NOMV156E19*	0.97	0.93
EHD4X48A**	*8MX*1102120**	0.98	0.94	EN(A,D,W)4X48*21**	*9MVX080	0.97	0.97
EHD4X48A**	*8MX*1352420**	0.98	0.94	EN(A,D)4X48*24**	*9MVX100	0.97	0.93
EHD4X48A**	*8MV*0901716**	0.98	0.94	ENH4X61*24**	*9MVX100	0.99	0.95
EHD4X48A**	*8MV*1102120**	0.98	0.94	EHD4X48A**	*9MX*1002116A**	0.97	0.93
EHD4X48A**	*8MV*1352422**	0.98	0.94	ED*4X48F**	*9MV*1002116A**	0.97	0.93
EHD4X48A**	*9MX*0802120A**	0.98	0.90	ED*4X60J**	*9MA*1002120A**	0.97	0.91
EHD4X48A**	*9MX*1002120A**	0.97	0.89	EN(A,D)4X48*24**	OLV112A16A	0.97	0.97
EHD4X48A**	*9MX*1202422A**	0.98	0.92	ENH4X60*24**	OLV154F20A	1.00	0.96

COOLING Multiplying Factors for other Indoor Combinations

Indoor Cooling Model	Furnace Model	CAPACITY (MBh)	Power (AMPS)	Indoor Cooling Model	Furnace Model	CAPACITY (MBh)	Power (AMPS)
EHD4X48A**	*9MV*0801716A**	0.91	0.88	EA*4X60*24A*	-	0.99	0.95
EHD4X48A**	*9MV*0802120A**	0.97	0.89	ED*4X60J**	MV16J22**B*	1.00	0.92
EHD4X48A**	*9MV*1002120A**	0.97	0.89	EHD4X60A**	MV20L24**B*	0.98	0.9
EHD4X48A**	*9MV*1202422A**	0.97	0.91	EN(A,D)4X61*24**	-	1.00	1.00
EHD4X48A**	*9MA*0802120A**	0.97	0.89	EN(A,D,W)4X60*24**	*9MPV100	0.99	0.95
EHD4X48A**	*9MA*1002122A**	0.98	0.90	ENH4X60*24**	-	0.99	0.99
EHD4X48A**	*9MA*1202422A**	0.97	0.91	ENH4X61*24**	*9MPV125	0.99	0.95
EHD4X60A**	*8MX*0701716**	0.98	0.98	EN(A,D,W)4X48*21**	*9MA*0602120A**	0.96	0.90
EHD4X60A**	*8MX*0902116**	0.98	0.94	EN(A,D,W)4X60*24**	NOMV156E19*	0.99	0.95
EHD4X60A**	*8MX*1102120**	0.98	0.90	EN(A,D,W)4X60*24**	*9MVX080	0.99	0.95
EHD4X60A**	*8MX*1352420**	0.98	0.90	EN(A,D)4X48*24**	*9MVX100	0.97	0.93
EHD4X60A**	*8MV*0901716**	0.98	0.94	EA*4X48*21A*	*9MX*1002116A**	0.91	0.88
EHD4X60A**	*8MV*1102120**	0.98	0.90	EHD4X60A**	*9MX*1002116A**	0.99	0.93
EHD4X60A**	*8MV*1352422**	0.98	0.90	ED*4X48J**	*9MV*1002116A**	0.91	0.88
EHD4X60A**	*9MX*0801716A**	0.98	0.92	EN(A,D)4X61*24**	*9MV*1002116A**	0.99	0.91
EHD4X60A**	*9MX*0802120A**	0.99	0.91	ED*4X60L**	*9MA*1002120A**	0.97	0.91
EHD4X60A**	*9MX*1002120A**	0.99	0.90	EN(A,D)4X61*24**	OLV112A16A	0.99	0.95
EHD4X60A**	*9MX*1202422A**	0.99	0.91	ENH4X61*24**	OLV154F20A	1.00	0.96
EHD4X60A**	*9MV*0801716A**	0.98	0.92	EA*4X60*24A*	MV16**21C*	0.99	0.88
EHD4X60A**	*9MV*0802120A**	0.99	0.91	ED*4X60L**	*9MPV125	1.00	0.96
EHD4X60A**	*9MV*1002120A**	0.99	0.90	EHD4X60A**	MV16**21C*	0.99	0.87
EHD4X60A**	*9MV*1202422A**	0.99	0.91	EN(A,D)4X61*24**	*8MPV100	1.00	0.92
EHD4X60A**	*9MA*0802120A**	0.98	0.90	EN(A,D,W)4X60*24**	*9MPV125	0.99	0.95
EHD4X60A**	*9MA*1002122A**	0.99	0.88	ENH4X60*24**	*8MPV100	0.99	0.95
EHD4X60A**	*9MA*1202422A**	0.98	0.90	ENH4X61*24**	MV16J22**B*	0.99	0.91
EN(A,D)4X48*24**	*8MX*0902116**	0.97	0.93	ENH4X48*21**	NOMV156E19*	0.98	0.94
EN(A,D)4X48*24**	*8MX*1102120**	0.97	0.93	EN(A,D,W)4X60*24**	*9MVX080	0.99	0.95
EN(A,D)4X48*24**	*8MX*1352420**	0.97	0.93	EN(A,D)4X61*24**	*9MVX100	1.00	0.96
EN(A,D)4X48*24**	*8MV*1102120**	0.97	0.93	EN(A,D)4X48*24**	*9MX*1002116A**	0.97	0.93
EN(A,D)4X48*24**	*8MV*1352422**	0.97	0.93	ED*4X48L**	*9MV*1002116A**	0.91	0.88

COOLING Multiplying Factors for other Indoor Combinations

Indoor Cooling Model	Furnace Model	CAPACITY (MBh)	Power (AMPS)	Indoor Cooling Model	Furnace Model	CAPACITY (MBh)	Power (AMPS)
EN(A,D)4X48*24**	*9MX*0802120A**	0.97	0.91	EHD4X48A**	*9MA*1002120A**	0.97	0.91
EN(A,D)4X48*24**	*9MX*1002120A**	0.97	0.89	EN(A,D,W)4X48*21**	OLV112A16A	0.97	0.97
EN(A,D)4X48*24**	*9MX*1202422A**	0.97	0.91	EA*4X48*17A*	-	0.97	0.93
EN(A,D)4X48*24**	*9MV*0802120A**	0.97	0.89	ED*4X60L**	MV20L24**B*	1.00	0.92
EN(A,D)4X48*24**	*9MV*1002120A**	0.97	0.89	EHD4X60A**	MV20**24C*	0.99	0.88
EN(A,D)4X48*24**	*9MV*1202422A**	0.97	0.91	EN(A,D)4X61*24**	*8MPV125	1.00	0.92
EN(A,D)4X48*24**	*9MA*0802120A**	0.95	0.87	EN(A,D,W)4X60*24**	MV16J22**B*	0.99	0.91
EN(A,D)4X48*24**	*9MA*1002122A**	0.97	0.89	ENH4X60*24**	*8MPV125	0.99	0.95
EN(A,D)4X48*24**	*9MA*1202422A**	0.91	0.86	ENH4X61*24**	MV20L24**B*	0.99	0.91
EN(A,D)4X61*24**	*8MX*0902116**	1.00	0.92	ENH4X60*24**	NOMV156E19*	0.99	0.95
EN(A,D)4X61*24**	*8MX*1102120**	1.00	0.92	ENH4X48*21**	*9MVX080	0.98	0.94
EN(A,D)4X61*24**	*8MX*1352420**	1.00	0.92	EN(A,D)4X61*24**	*9MVX100	1.00	0.96
EN(A,D)4X61*24**	*8MV*1102120**	1.00	0.92	EN(A,D)4X61*24**	*9MX*1002116A**	0.99	0.91
EN(A,D)4X61*24**	*8MV*1352422**	1.00	0.92	ED*4X60J**	*9MV*1002116A**	0.98	0.92
EN(A,D)4X61*24**	*9MX*0802120A**	1.00	0.91	EHD4X60A**	*9MA*1002120A**	0.98	0.90
EN(A,D)4X61*24**	*9MX*1002120A**	1.00	0.89	EN(A,D,W)4X60*24**	OLV112A16A	0.98	0.98
EN(A,D)4X61*24**	*9MX*1202422A**	1.00	0.91	EA*4X48*21A*	-	0.97	0.95
EN(A,D)4X61*24**	*9MV*0802120A**	0.99	0.88	EHD4X48A**	-	0.98	0.98
EN(A,D)4X61*24**	*9MV*1002120A**	1.00	0.89	EMA4X48D**	-	0.97	0.97
EN(A,D)4X61*24**	*9MV*1202422A**	0.99	0.90	EN(A,D)4X61*24**	*9MPV100	1.00	0.96
EN(A,D)4X61*24**	*9MA*0802120A**	0.99	0.88	EN(A,D,W)4X60*24**	MV20L24**B*	0.99	0.91
EN(A,D)4X61*24**	*9MA*1002122A**	0.99	0.88	ENH4X60*24**	*9MPV100	0.99	0.95
EN(A,D)4X61*24**	*9MA*1202422A**	0.99	0.90	ENH4X61*24**	*9MPV100	0.99	0.95
EN(A,D,W)4X48*21**	*8MX*0701716**	0.97	1.01	EN(A,D,W)4X60*24**	*9MA*0602120A**	0.97	0.91
EN(A,D,W)4X48*21**	*8MX*0902116**	0.97	0.93	ENH4X61*24**	NOMV156E19*	0.99	0.95
EN(A,D,W)4X48*21**	*8MX*1102120**	0.97	0.93	ENH4X48*21**	*9MVX080	0.98	0.94
EN(A,D,W)4X48*21**	*8MV*0901716**	0.98	0.94	EA*4X48*24A*	*9MX*1002116A**	0.91	0.88
EN(A,D,W)4X48*21**	*8MV*1102120**	0.98	0.94	EN(A,D,W)4X48*21**	*9MX*1002116A**	0.97	0.93
EN(A,D,W)4X48*21**	*9MX*0801716A**	0.91	0.88	EN(A,D,W)4X48*21**	*9MV*1002116A**	0.97	0.93
EN(A,D,W)4X48*21**	*9MX*0802120A**	0.97	0.91	EN(A,D)4X48*24**	*9MA*1002120A**	0.91	0.86

COOLING Multiplying Factors for other Indoor Combinations

Indoor Cooling Model	Furnace Model	CAPACITY (MBh)	Power (AMPS)	Indoor Cooling Model	Furnace Model	CAPACITY (MBh)	Power (AMPS)
EN(A,D,W)4X48*21**	*9MX*1002120A**	0.97	0.89	ENH4X48*21**	OLV112A16A	0.97	0.97
EN(A,D,W)4X48*21**	*9MV*0801716A**	0.91	0.88	ED*4X48F**	-	0.98	0.98
EN(A,D,W)4X48*21**	*9MV*0802120A**	0.97	0.89	EHD4X48A**	*8MPV100	0.98	0.94
EN(A,D,W)4X48*21**	*9MV*1002120A**	0.97	0.89	EN(A,D)4X48*24**	-	0.97	0.97
EN(A,D,W)4X48*21**	*9MA*0802120A**	0.96	0.88	EN(A,D,W)4X60*24**	*9MPV100	0.99	0.95
EN(A,D,W)4X48*21**	*9MA*1002122A**	0.97	0.89	ENH4X60*24**	*9MPV125	0.99	0.95
EN(A,D,W)4X60*24**	*8MX*0902116**	0.99	0.95	ED*4X48J**	*9MVX080	0.98	0.98
EN(A,D,W)4X60*24**	*8MX*1102120**	0.99	0.91	ENH4X60*24**	*9MVX080	0.99	0.95
EN(A,D,W)4X60*24**	*8MX*1352420**	0.99	0.95	EN(A,D,W)4X60*24**	*9MVX100	0.99	0.95
EN(A,D,W)4X60*24**	*8MV*1102120**	0.99	0.95	EN(A,D,W)4X60*24**	*9MX*1002116A**	0.98	0.92
EN(A,D,W)4X60*24**	*8MV*1352422**	0.99	0.91	ED*4X60L**	*9MV*1002116A**	0.98	0.92
EN(A,D,W)4X60*24**	*9MX*0802120A**	0.98	0.90	EN(A,D)4X61*24**	*9MA*1002120A**	0.99	0.91
EN(A,D,W)4X60*24**	*9MX*1002120A**	0.98	0.90	ENH4X60*24**	OLV112A16A	0.98	0.98
EN(A,D,W)4X60*24**	*9MX*1202422A**	0.99	0.91	EA*4X48*21A*	MV16**21C*	0.97	0.89
EN(A,D,W)4X60*24**	*9MV*0802120A**	0.98	0.90	EHD4X48A**	*8MPV125	0.98	0.94
EN(A,D,W)4X60*24**	*9MV*1002120A**	0.98	0.90	EN(A,D)4X48*24**	*8MPV100	0.97	0.93
EN(A,D,W)4X60*24**	*9MV*1202422A**	0.98	0.90	EN(A,D)4X61*24**	*9MPV125	1.00	0.96
EN(A,D,W)4X60*24**	*9MA*0802120A**	0.97	0.89	EN(A,D,W)4X60*24**	*9MPV125	0.99	0.95
EN(A,D,W)4X60*24**	*9MA*1002122A**	0.98	0.90	ENH4X60*24**	MV16J22**B*	0.99	0.91
EN(A,D,W)4X60*24**	*9MA*1202422A**	0.97	0.89	ENH4X61*24**	*9MPV125	0.99	0.95
ENH4X48*21**	*8MX*0701716**	0.97	1.01	ENH4X48*21**	*9MA*0602120A**	0.96	0.90
ENH4X48*21**	*8MX*0902116**	0.98	0.94	ED*4X60J**	*9MVX080	1.00	0.96
ENH4X48*21**	*8MX*1102120**	0.98	0.94	ENH4X60*24**	*9MVX080	0.99	0.95
ENH4X48*21**	*8MX*1352420**	0.98	0.94	EN(A,D,W)4X60*24**	*9MVX100	0.99	0.95
ENH4X48*21**	*8MV*0901716**	0.98	0.94	EA*4X60*21A*	*9MX*1002116A**	0.98	0.92
ENH4X48*21**	*8MV*1102120**	0.98	0.94	ENH4X48*21**	*9MX*1002116A**	0.97	0.93
ENH4X48*21**	*8MV*1352422**	0.98	0.94	EHD4X48A**	*9MV*1002116A**	0.97	0.93
ENH4X48*21**	*9MX*0801716A**	0.91	0.88	EN(A,D,W)4X60*24**	*9MV*1002116A**	0.98	0.92
ENH4X48*21**	*9MX*0802120A**	0.97	0.91	EN(A,D,W)4X48*21**	*9MA*1002120A**	0.91	0.86
ENH4X48*21**	*9MX*1002120A**	0.97	0.89	ENH4X61*24**	OLV112A16A	0.98	0.98

COOLING Multiplying Factors for other Indoor Combinations

Indoor Cooling Model	Furnace Model	CAPACITY (MBh)	Power (AMPS)	Indoor Cooling Model	Furnace Model	CAPACITY (MBh)	Power (AMPS)
ENH4X48*21**	*9MX*1202422A**	0.97	0.91	EA*4X48*24A*	-	0.97	0.95
ENH4X48*21**	*9MV*0801716A**	0.91	0.88	ED*4X48J**	-	0.98	0.98
ENH4X48*21**	*9MV*0802120A**	0.97	0.89	EHD4X48A**	*9MPV100	0.98	0.94
ENH4X48*21**	*9MV*1002120A**	0.97	0.89	EN(A,D)4X48*24**	*8MPV125	0.99	0.95
ENH4X48*21**	*9MV*1202422A**	0.97	0.91	EN(A,D)4X61*24**	MV16J22**B*	1.00	0.92
ENH4X48*21**	*9MA*0802120A**	0.96	0.88	EN(A,D,W)4X60*24**	MV16**21C*	0.99	0.88
ENH4X48*21**	*9MA*1002122A**	0.97	0.89	ENH4X60*24**	MV20L24**B*	0.99	0.91
ENH4X48*21**	*9MA*1202422A**	0.91	0.86	ENH4X61*24**	MV16**21C*	0.99	0.88
ENH4X60*24**	*8MX*0701716**	0.99	0.99	ENH4X60*24**	*9MA*0602120A**	0.97	0.91
ENH4X60*24**	*8MX*0902116**	0.99	0.95	EHD4X48A**	*9MVX080	0.98	0.94
ENH4X60*24**	*8MX*1102120**	0.99	0.91	ENH4X61*24**	*9MVX080	0.99	0.95
ENH4X60*24**	*8MX*1352420**	0.99	0.95	ENH4X48*21**	*9MVX100	0.98	0.94
ENH4X60*24**	*8MV*0901716**	0.99	0.95	EA*4X60*24A*	*9MX*1002116A**	0.98	0.92
ENH4X60*24**	*8MV*1102120**	0.99	0.95	ENH4X60*24**	*9MX*1002116A**	0.98	0.92
ENH4X60*24**	*8MV*1352422**	0.99	0.91	EHD4X60A**	*9MV*1002116A**	0.99	0.93
ENH4X60*24**	*9MX*0801716A**	0.98	0.94	ENH4X48*21**	*9MV*1002116A**	0.97	0.93
ENH4X60*24**	*9MX*0802120A**	0.98	0.90	EN(A,D,W)4X60*24**	*9MA*1002120A**	0.97	0.91
ENH4X60*24**	*9MX*1002120A**	0.98	0.90	ED*4X48L**	OLV154F20A	0.98	0.98
ENH4X60*24**	*9MX*1202422A**	0.99	0.91	EA*4X48*24A*	MV16**21C*	0.97	0.88
ENH4X60*24**	*9MV*0801716A**	0.98	0.94	ED*4X48J**	*8MPV100	0.98	0.94
ENH4X60*24**	*9MV*0802120A**	0.98	0.90	EHD4X48A**	*9MPV125	0.98	0.94
ENH4X60*24**	*9MV*1002120A**	0.98	0.90	EN(A,D)4X48*24**	*9MPV100	0.97	0.93
ENH4X60*24**	*9MV*1202422A**	0.98	0.90	EN(A,D)4X61*24**	MV20L24**B*	1.00	0.92
ENH4X60*24**	*9MA*0802120A**	0.97	0.89	EN(A,D,W)4X60*24**	MV20**24C*	0.98	0.87
ENH4X60*24**	*9MA*1002122A**	0.98	0.90	ENH4X60*24**	*9MPV100	0.99	0.95
ENH4X60*24**	*9MA*1202422A**	0.97	0.89	ENH4X61*24**	MV20**24C*	0.99	0.88
ENH4X61*24**	*8MX*0701716**	0.99	0.99	ENH4X61*24**	*9MA*0602120A**	0.97	0.91
ENH4X61*24**	*8MX*0902116**	0.99	0.95	EHD4X60A**	*9MVX080	0.98	0.94
ENH4X61*24**	*8MX*1102120**	0.99	0.91	ENH4X61*24**	*9MVX080	0.99	0.95
ENH4X61*24**	*8MX*1352420**	0.99	0.91	ENH4X48*21**	*9MVX100	0.98	0.94

COOLING Multiplying Factors for other Indoor Combinations

Indoor Cooling Model	Furnace Model	CAPACITY (MBh)	Power (AMPS)	Indoor Cooling Model	Furnace Model	CAPACITY (MBh)	Power (AMPS)
ENH4X61*24**	*8MV*0901716**	0.99	0.95	ED*4X48F**	*9MX*1002116A**	0.97	0.93
ENH4X61*24**	*8MV*1102120**	0.99	0.95	ENH4X61*24**	*9MX*1002116A**	0.98	0.92
ENH4X61*24**	*8MV*1352422**	0.99	0.91	EN(A,D)4X48*24**	*9MV*1002116A**	0.97	0.93
ENH4X61*24**	*9MX*0802120A**	0.99	0.91	ENH4X48*21**	*9MA*1002120A**	0.91	0.86
ENH4X61*24**	*9MX*1002120A**	0.99	0.91	ED*4X60L**	OLV154F20A	1.00	0.96
ENH4X61*24**	*9MX*1202422A**	0.99	0.91	EA*4X48*24A*	MV20**24C*	0.97	0.88
ENH4X61*24**	*9MV*0801716A**	0.97	0.91	ED*4X48J**	*8MPV125	0.98	0.94
ENH4X61*24**	*9MV*0802120A**	0.98	0.90	EHD4X48A**	MV16J22**B*	0.98	0.90
ENH4X61*24**	*9MV*1002120A**	0.99	0.91	EN(A,D)4X48*24**	*9MPV125	0.97	0.93
ENH4X61*24**	*9MV*1202422A**	0.99	0.91	EN(A,D)4X61*24**	*9MPV100	1.00	0.96
ENH4X61*24**	*9MA*0802120A**	0.98	0.90	ENH4X48*21**	-	0.98	0.98
ENH4X61*24**	*9MA*1002122A**	0.99	0.90	ENH4X60*24**	*9MPV125	0.99	0.95
FEM4P48**A*	-	0.98	0.98	EA*4X48*21A*	*9MA*0602120A**	0.93	0.90
FEM4P60**A*	-	1.00	0.96	EA*4X48*24A*	*9MA*0602120A**	0.95	0.91
FEM4X48****	-	1.00	0.96	EA*4X60*21A*	*9MA*0602120A**	0.97	0.89
FEM4X60****	-	1.01	0.93	EA*4X60*24A*	*9MA*0602120A**	0.97	0.91
FEM4X60**B*	-	1.00	0.96	ED*4X48F**	*9MA*0602120A**	0.96	0.92
FS(M,U)4P48**A*	-	0.99	0.95	ED*4X48J**	*9MA*0602120A**	0.95	0.91
FS(M,U)4X48****	-	0.99	0.99	ED*4X48L**	*9MA*0602120A**	0.95	0.91
FS(M,U)4X60**A*	-	1.00	1.00	ED*4X60J**	*9MA*0602120A**	0.97	0.91
FVM4X48****	-	1.00	0.92	ED*4X60L**	*9MA*0602120A**	0.97	0.91
FVM4X60****	-	1.01	0.93	EHD4X48A**	*9MA*0602120A**	0.96	0.90
FXM4X48**A*	-	1.00	0.92	EHD4X60A**	*9MA*0602120A**	0.97	0.89
FXM4X60**A*	-	1.01	0.93	EN(A,D)4X48*24**	*9MA*0602120A**	0.95	0.89
NXA649							
*ED*4X60L**	-	1.00	1.00	ENH4X60*24**	*9MA*1202422A**	0.99	0.91
EA*4X48*17A*	*8MV*0901716**	0.98	0.94	ENH4X48*21**	*9MVX100	0.99	0.95
EA*4X48*21A*	*8MX*0902116**	0.98	0.94	ENH4X61*24**	*9MA*0602120A**	0.99	0.95
EA*4X48*21A*	*8MX*1102120**	0.98	0.92	EHD4X60A**	*9MVX080	1.01	0.97
EA*4X48*21A*	*8MV*0901716**	0.98	0.94	ENH4X60*24**	*9MVX100	1.00	0.96

COOLING Multiplying Factors for other Indoor Combinations

Indoor Cooling Model	Furnace Model	CAPACITY (MBh)	Power (AMPS)	Indoor Cooling Model	Furnace Model	CAPACITY (MBh)	Power (AMPS)
EA*4X48*21A*	*8MV*1102120**	0.98	0.94	ED*4X48F**	*9MX*1002116A**	0.98	0.95
EA*4X48*21A*	*9MX*0802120A**	0.98	0.94	ENH4X48*21**	*9MV*1002116A**	0.98	0.95
EA*4X48*21A*	*9MX*1002120A**	0.98	0.94	ENH4X48*21**	*9MA*1002120A**	0.98	0.94
EA*4X48*21A*	*9MV*0801716A**	0.96	0.93	EA*4X48*24A*	MV20**24C*	0.98	0.92
EA*4X48*21A*	*9MV*0802120A**	0.98	0.94	ED*4X48J**	*8MPV100	0.99	0.95
EA*4X48*21A*	*9MV*1002120A**	0.98	0.94	EHD4X48A**	*9MPV125	1.00	0.96
EA*4X48*21A*	*9MA*0802120A**	0.97	0.93	EN(A,D)4X61*24**	MV20L24**B*	1.01	0.89
EA*4X48*21A*	*9MA*1002122A**	0.98	0.94	EN(A,D,W)4X60*24**	MV20**24C*	1.00	0.92
EA*4X48*24A*	*8MX*0902116**	0.98	0.94	EHD4X48A**	NOMV156E19*	1.00	0.96
EA*4X48*24A*	*8MX*1102120**	0.98	0.92	EN(A,D)4X48*24**	*9MVX080	0.99	0.95
EA*4X48*24A*	*8MX*1352420**	0.98	0.94	ENH4X61*24**	*9MVX080	1.01	0.97
EA*4X48*24A*	*8MV*1102120**	0.98	0.94	ED*4X48J**	*9MX*1002116A**	0.97	0.94
EA*4X48*24A*	*8MV*1352422**	0.98	0.92	ENH4X61*24**	*9MX*1002116A**	1.00	0.96
EA*4X48*24A*	*9MX*0802120A**	0.98	0.94	ENH4X60*24**	*9MV*1002116A**	1.00	0.96
EA*4X48*24A*	*9MX*1002120A**	0.98	0.94	ENH4X60*24**	*9MA*1002120A**	0.99	0.95
EA*4X48*24A*	*9MX*1202422A**	0.98	0.94	ED*4X60L**	OLV154F20A	1.01	0.97
EA*4X48*24A*	*9MV*0802120A**	0.98	0.94	ED*4X48J**	*8MPV125	0.99	0.95
EA*4X48*24A*	*9MV*1002120A**	0.98	0.94	EHD4X48A**	MV16J22**B*	1.00	0.92
EA*4X48*24A*	*9MV*1202422A**	0.98	0.94	EN(A,D)4X48*24**	*9MPV100	0.99	0.95
EA*4X48*24A*	*9MA*0802120A**	0.97	0.93	EN(A,D)4X61*24**	*9MPV100	1.01	0.97
EA*4X48*24A*	*9MA*1002122A**	0.98	0.94	ENH4X48*21**	-	0.99	0.99
EA*4X48*24A*	*9MA*1202422A**	0.97	0.93	ENH4X60*24**	*9MPV100	1.00	0.96
EA*4X60*21A*	*8MX*0902116**	1.00	0.94	EHD4X60A**	NOMV156E19*	1.01	0.93
EA*4X60*21A*	*8MX*1102120**	1.00	0.92	EN(A,D)4X48*24**	*9MVX080	0.99	0.95
EA*4X60*21A*	*8MV*0901716**	0.99	0.93	ENH4X60*24**	*9MVX100	1.00	0.96
EA*4X60*21A*	*8MV*1102120**	1.00	0.94	ED*4X48L**	*9MX*1002116A**	0.98	0.95
EA*4X60*21A*	*9MX*0802120A**	1.00	0.94	ENH4X61*24**	*9MV*1002116A**	0.99	0.95
EA*4X60*21A*	*9MX*1002120A**	1.00	0.94	ENH4X61*24**	*9MA*1002120A**	0.99	0.95
EA*4X60*21A*	*9MV*0801716A**	0.98	0.94	EA*4X60*21A*	-	1.00	0.98
EA*4X60*21A*	*9MV*0802120A**	1.00	0.94	ED*4X48J**	*9MPV100	0.99	0.99

COOLING Multiplying Factors for other Indoor Combinations

Indoor Cooling Model	Furnace Model	CAPACITY (MBh)	Power (AMPS)	Indoor Cooling Model	Furnace Model	CAPACITY (MBh)	Power (AMPS)
EA*4X60*21A*	*9MV*1002120A**	1.00	0.94	EHD4X48A**	MV20L24**B*	1.00	0.92
EA*4X60*21A*	*9MA*0802120A**	0.99	0.93	EN(A,D)4X61*24**	*9MPV125	1.01	0.93
EA*4X60*21A*	*9MA*1002122A**	1.00	0.94	ENH4X48*21**	*8MPV100	0.99	0.95
EA*4X60*24A*	*8MX*0902116**	1.00	0.94	EN(A,D)4X48*24**	NOMV156E19*	0.99	0.95
EA*4X60*24A*	*8MX*1102120**	1.00	0.92	EN(A,D)4X61*24**	*9MVX080	1.01	0.97
EA*4X60*24A*	*8MX*1352420**	1.00	0.94	ED*4X48L**	*9MVX100	0.99	0.95
EA*4X60*24A*	*8MV*1102120**	1.00	0.94	ED*4X60J**	*9MX*1002116A**	0.99	0.95
EA*4X60*24A*	*8MV*1352422**	1.00	0.94	EA*4X48*21A*	*9MV*1002116A**	0.98	0.95
EA*4X60*24A*	*9MX*0802120A**	1.00	0.94	EA*4X48*21A*	*9MA*1002120A**	0.97	0.94
EA*4X60*24A*	*9MX*1002120A**	1.00	0.94	ED*4X48F**	OLV112A16A	0.98	0.98
EA*4X60*24A*	*9MX*1202422A**	1.00	0.92	EHD4X48A**	OLV154F20A	1.01	1.01
EA*4X60*24A*	*9MV*0802120A**	1.00	0.94	ED*4X48J**	MV16J22**B*	0.99	0.91
EA*4X60*24A*	*9MV*1002120A**	1.00	0.94	EHD4X48A**	MV16**21C*	1.00	0.94
EA*4X60*24A*	*9MV*1202422A**	1.00	0.92	EN(A,D)4X48*24**	*9MPV125	0.99	0.95
EA*4X60*24A*	*9MA*0802120A**	0.99	0.93	EN(A,D)4X61*24**	MV16**21C*	1.00	0.91
EA*4X60*24A*	*9MA*1002122A**	1.00	0.94	ENH4X48*21**	*8MPV125	0.99	0.95
EA*4X60*24A*	*9MA*1202422A**	0.99	0.91	ENH4X60*24**	*9MPV125	1.00	0.96
ED*4X48F**	*9MX*0802120A**	0.99	0.95	EA*4X48*24A*	*9MA*1002120A**	0.97	0.93
ED*4X48F**	*9MX*1002120A**	0.98	0.94	ED*4X48J**	OLV112A16A	0.98	0.98
ED*4X48F**	*9MV*0802120A**	0.98	0.94	ED*4X48L**	-	0.99	0.99
ED*4X48F**	*9MV*1002120A**	0.98	0.94	EHD4X48A**	MV20**24C*	0.99	0.93
ED*4X48F**	*9MA*0802120A**	0.98	0.94	EN(A,D)4X61*24**	MV20**24C*	1.00	0.91
ED*4X48F**	*9MA*1002122A**	0.99	0.95	ENH4X48*21**	*9MPV100	0.99	0.99
ED*4X48J**	*9MX*0802120A**	0.98	0.94	EA*4X60*21A*	*9MA*1002120A**	0.99	0.95
ED*4X48J**	*9MX*1002120A**	0.98	0.94	ED*4X48L**	OLV112A16A	0.98	0.98
ED*4X48J**	*9MX*1202422A**	0.98	0.94	EHD4X60A**	OLV154F20A	1.01	0.97
ED*4X48J**	*9MV*0802120A**	0.98	0.94	ED*4X48L**	*9MPV125	0.99	0.95
ED*4X48J**	*9MV*1002120A**	0.98	0.94	EHD4X60A**	-	1.01	1.01
ED*4X48J**	*9MV*1202422A**	0.98	0.94	EN(A,D)4X48*24**	MV16J22**B*	0.99	0.91
ED*4X48J**	*9MA*0802120A**	0.97	0.93	EN(A,D,W)4X48*21**	-	0.99	0.99

COOLING Multiplying Factors for other Indoor Combinations

Indoor Cooling Model	Furnace Model	CAPACITY (MBh)	Power (AMPS)	Indoor Cooling Model	Furnace Model	CAPACITY (MBh)	Power (AMPS)
ED*4X48J**	*9MA*1002122A**	0.98	0.94	ENH4X48*21**	*9MPV125	0.99	0.95
ED*4X48J**	*9MA*1202422A**	0.97	0.93	ENH4X60*24**	MV16**21C*	1.00	0.92
ED*4X48L**	*8MX*1352420**	0.99	0.95	ED*4X60L**	*9MVX100	1.00	0.96
ED*4X48L**	*8MV*1352422**	0.99	0.95	EA*4X48*24A*	*9MV*1002116A**	0.98	0.95
ED*4X48L**	*9MX*0802120A**	0.98	0.94	EA*4X60*24A*	*9MA*1002120A**	0.99	0.95
ED*4X48L**	*9MX*1002120A**	0.98	0.94	ED*4X60J**	OLV112A16A	1.00	1.00
ED*4X48L**	*9MX*1202422A**	0.98	0.94	EN(A,D)4X48*24**	OLV154F20A	1.00	1.00
ED*4X48L**	*9MV*0802120A**	0.98	0.94	ED*4X48L**	MV20L24**B*	0.99	0.91
ED*4X48L**	*9MV*1002120A**	0.98	0.94	EHD4X60A**	*8MPV100	1.01	0.93
ED*4X48L**	*9MV*1202422A**	0.98	0.94	EN(A,D)4X48*24**	MV20L24**B*	0.99	0.91
ED*4X48L**	*9MA*0802120A**	0.97	0.93	EN(A,D,W)4X48*21**	*9MPV100	0.99	0.99
ED*4X48L**	*9MA*1002122A**	0.98	0.94	ENH4X48*21**	MV16J22**B*	0.99	0.91
ED*4X48L**	*9MA*1202422A**	0.97	0.93	ENH4X60*24**	MV20**24C*	1.00	0.92
ED*4X60J**	*9MX*0802120A**	1.00	0.94	ED*4X48F**	*9MA*1002120A**	0.98	0.94
ED*4X60J**	*9MX*1002120A**	1.00	0.94	ED*4X60L**	OLV112A16A	1.00	1.00
ED*4X60J**	*9MX*1202422A**	1.00	0.92	EN(A,D)4X61*24**	OLV154F20A	1.01	0.97
ED*4X60J**	*9MV*0802120A**	1.00	0.94	ED*4X60J**	-	1.00	1.00
ED*4X60J**	*9MV*1002120A**	1.00	0.94	EHD4X60A**	*8MPV125	1.01	0.93
ED*4X60J**	*9MV*1202422A**	1.00	0.92	EN(A,D)4X48*24**	*9MPV100	0.99	0.95
ED*4X60J**	*9MA*0802120A**	0.99	0.93	EN(A,D,W)4X48*21**	MV16**21C*	0.99	0.93
ED*4X60J**	*9MA*1002122A**	1.00	0.94	ENH4X48*21**	MV20L24**B*	0.99	0.91
ED*4X60J**	*9MA*1202422A**	0.99	0.91	ENH4X61*24**	-	1.01	1.01
ED*4X60L**	*8MX*1352420**	1.00	0.92	EHD4X48A**	*9MVX100	1.00	0.96
ED*4X60L**	*8MV*1352422**	1.00	0.92	EA*4X60*21A*	*9MV*1002116A**	1.00	0.96
ED*4X60L**	*9MX*0802120A**	1.00	0.94	ED*4X48J**	*9MA*1002120A**	0.97	0.94
ED*4X60L**	*9MX*1002120A**	1.00	0.94	EHD4X48A**	OLV112A16A	0.99	0.99
ED*4X60L**	*9MX*1202422A**	1.00	0.92	EN(A,D,W)4X60*24**	OLV154F20A	1.01	0.97
ED*4X60L**	*9MV*0802120A**	1.00	0.94	ED*4X60J**	*8MPV100	1.00	0.96
ED*4X60L**	*9MV*1002120A**	1.00	0.94	EHD4X60A**	*9MPV100	1.01	0.97
ED*4X60L**	*9MV*1202422A**	1.00	0.92	EN(A,D)4X48*24**	*9MPV125	0.99	0.95

COOLING Multiplying Factors for other Indoor Combinations

Indoor Cooling Model	Furnace Model	CAPACITY (MBh)	Power (AMPS)	Indoor Cooling Model	Furnace Model	CAPACITY (MBh)	Power (AMPS)
ED*4X60L**	*9MA*0802120A**	0.99	0.93	EN(A,D,W)4X60*24**	-	1.00	1.00
ED*4X60L**	*9MA*1002122A**	1.00	0.94	ENH4X48*21**	*9MPV100	0.99	0.99
ED*4X60L**	*9MA*1202422A**	0.99	0.91	ENH4X61*24**	*8MPV100	1.01	0.97
EHD4X48A**	*8MX*0701716**	0.99	0.99	EN(A,D)4X48*24**	*9MA*0602120A**	0.97	0.93
EHD4X48A**	*8MX*0902116**	1.00	0.96	EN(A,D)4X61*24**	NOMV156E19*	1.01	0.93
EHD4X48A**	*8MX*1102120**	1.00	0.96	EN(A,D)4X61*24**	*9MVX080	1.01	0.97
EHD4X48A**	*8MX*1352420**	1.00	0.96	EHD4X60A**	*9MVX100	1.01	0.97
EHD4X48A**	*8MV*0901716**	1.00	1.00	ENH4X61*24**	*9MVX100	1.01	0.97
EHD4X48A**	*8MV*1102120**	1.00	0.96	ED*4X60L**	*9MX*1002116A**	0.99	0.95
EHD4X48A**	*8MV*1352422**	1.00	0.96	EA*4X60*24A*	*9MV*1002116A**	1.00	0.96
EHD4X48A**	*9MX*0802120A**	0.99	0.95	ED*4X48L**	*9MA*1002120A**	0.97	0.93
EHD4X48A**	*9MX*1002120A**	0.99	0.95	EHD4X60A**	OLV112A16A	1.00	0.96
EHD4X48A**	*9MX*1202422A**	0.99	0.95	ENH4X48*21**	OLV154F20A	1.00	1.00
EHD4X48A**	*9MV*0801716A**	0.98	0.94	EA*4X60*21A*	MV16**21C*	1.00	0.92
EHD4X48A**	*9MV*0802120A**	0.99	0.95	ED*4X60J**	*8MPV125	1.00	0.96
EHD4X48A**	*9MV*1002120A**	0.99	0.93	EHD4X60A**	*9MPV125	1.01	0.97
EHD4X48A**	*9MV*1202422A**	0.99	0.95	EN(A,D)4X48*24**	MV16**21C*	0.99	0.93
EHD4X48A**	*9MA*0802120A**	0.98	0.94	EN(A,D,W)4X60*24**	*8MPV100	1.00	0.96
EHD4X48A**	*9MA*1002122A**	0.99	0.93	ENH4X48*21**	*9MPV125	0.99	0.95
EHD4X48A**	*9MA*1202422A**	0.98	0.94	ENH4X61*24**	*8MPV125	1.01	0.97
EHD4X60A**	*8MX*0701716**	1.01	1.01	EN(A,D)4X61*24**	*9MA*0602120A**	1.00	0.94
EHD4X60A**	*8MX*0902116**	1.01	0.93	EN(A,D,W)4X48*21**	NOMV156E19*	0.99	0.95
EHD4X60A**	*8MX*1102120**	1.01	0.93	EN(A,D,W)4X48*21**	*9MVX080	0.99	0.99
EHD4X60A**	*8MX*1352420**	1.01	0.93	EN(A,D)4X48*24**	*9MVX100	0.99	0.95
EHD4X60A**	*8MV*0901716**	1.01	0.97	ENH4X61*24**	*9MVX100	1.01	0.97
EHD4X60A**	*8MV*1102120**	1.01	0.93	EHD4X48A**	*9MX*1002116A**	0.99	0.95
EHD4X60A**	*8MV*1352422**	1.01	0.93	ED*4X48F**	*9MV*1002116A**	0.98	0.95
EHD4X60A**	*9MX*0801716A**	1.00	0.96	EN(A,D)4X48*24**	*9MV*1002116A**	0.98	0.95
EHD4X60A**	*9MX*0802120A**	1.01	0.95	ED*4X60J**	*9MA*1002120A**	0.99	0.95
EHD4X60A**	*9MX*1002120A**	1.01	0.95	EN(A,D)4X48*24**	OLV112A16A	0.98	0.98

COOLING Multiplying Factors for other Indoor Combinations

Indoor Cooling Model	Furnace Model	CAPACITY (MBh)	Power (AMPS)	Indoor Cooling Model	Furnace Model	CAPACITY (MBh)	Power (AMPS)
EHD4X60A**	*9MX*1202422A**	1.00	0.92	ENH4X60*24**	OLV154F20A	1.01	0.97
EHD4X60A**	*9MV*0801716A**	1.00	0.96	EA*4X60*24A*	-	1.00	0.98
EHD4X60A**	*9MV*0802120A**	1.00	0.94	ED*4X60J**	*9MPV100	1.00	0.96
EHD4X60A**	*9MV*1002120A**	1.01	0.95	EHD4X60A**	MV16J22**B*	1.01	0.93
EHD4X60A**	*9MV*1202422A**	1.00	0.92	EN(A,D)4X48*24**	MV20**24C*	0.98	0.92
EHD4X60A**	*9MA*0802120A**	0.99	0.93	EN(A,D,W)4X60*24**	*8MPV125	1.00	0.92
EHD4X60A**	*9MA*1002122A**	1.00	0.92	ENH4X48*21**	MV16**21C*	0.99	0.93
EHD4X60A**	*9MA*1202422A**	1.00	0.92	ENH4X61*24**	*9MPV100	1.01	0.97
EN(A,D)4X48*24**	*8MX*0902116**	0.99	0.95	EN(A,D,W)4X60*24**	NOMV156E19*	1.00	0.96
EN(A,D)4X48*24**	*8MX*1102120**	0.99	0.91	EN(A,D,W)4X60*24**	*9MVX080	1.01	0.97
EN(A,D)4X48*24**	*8MX*1352420**	0.99	0.92	EN(A,D)4X48*24**	*9MVX100	0.99	0.95
EN(A,D)4X48*24**	*8MV*1102120**	0.99	0.95	EHD4X60A**	*9MX*1002116A**	1.00	0.96
EN(A,D)4X48*24**	*8MV*1352422**	0.99	0.95	ED*4X48J**	*9MV*1002116A**	0.98	0.95
EN(A,D)4X48*24**	*9MX*0802120A**	0.99	0.95	ED*4X60L**	*9MA*1002120A**	0.99	0.95
EN(A,D)4X48*24**	*9MX*1002120A**	0.98	0.94	EN(A,D)4X61*24**	OLV112A16A	1.01	0.97
EN(A,D)4X48*24**	*9MX*1202422A**	0.99	0.95	ENH4X61*24**	OLV154F20A	1.01	0.97
EN(A,D)4X48*24**	*9MV*0802120A**	0.98	0.94	ED*4X60J**	MV16J22**B*	1.00	0.92
EN(A,D)4X48*24**	*9MV*1002120A**	0.98	0.94	EHD4X60A**	MV20L24**B*	1.01	0.93
EN(A,D)4X48*24**	*9MV*1202422A**	0.98	0.94	EN(A,D)4X61*24**	-	1.01	0.97
EN(A,D)4X48*24**	*9MA*0802120A**	0.97	0.93	EN(A,D,W)4X60*24**	*9MPV100	1.00	0.96
EN(A,D)4X48*24**	*9MA*1002122A**	0.98	0.92	ENH4X60*24**	-	1.00	1.00
EN(A,D)4X48*24**	*9MA*1202422A**	0.98	0.94	ENH4X61*24**	*9MPV125	1.01	0.97
EN(A,D)4X61*24**	*8MX*0902116**	1.01	0.93	ENH4X48*21**	NOMV156E19*	0.99	0.95
EN(A,D)4X61*24**	*8MX*1102120**	1.01	0.93	EN(A,D,W)4X60*24**	*9MVX080	1.01	0.97
EN(A,D)4X61*24**	*8MX*1352420**	1.01	0.93	EN(A,D)4X61*24**	*9MVX100	1.01	0.93
EN(A,D)4X61*24**	*8MV*1102120**	1.01	0.93	EN(A,D)4X48*24**	*9MX*1002116A**	0.98	0.94
EN(A,D)4X61*24**	*8MV*1352422**	1.01	0.93	ED*4X48L**	*9MV*1002116A**	0.98	0.95
EN(A,D)4X61*24**	*9MX*0802120A**	1.01	0.95	EHD4X48A**	*9MA*1002120A**	0.98	0.94
EN(A,D)4X61*24**	*9MX*1002120A**	1.01	0.93	EN(A,D,W)4X48*21**	OLV112A16A	0.98	0.98
EN(A,D)4X61*24**	*9MX*1202422A**	1.00	0.92	EA*4X48*17A*	-	0.98	0.98

COOLING Multiplying Factors for other Indoor Combinations

Indoor Cooling Model	Furnace Model	CAPACITY (MBh)	Power (AMPS)	Indoor Cooling Model	Furnace Model	CAPACITY (MBh)	Power (AMPS)
EN(A,D)4X61*24**	*9MV*0802120A**	1.01	0.95	ED*4X60L**	*9MPV125	1.00	0.96
EN(A,D)4X61*24**	*9MV*1002120A**	1.01	0.93	EHD4X60A**	MV16**21C*	1.00	0.92
EN(A,D)4X61*24**	*9MV*1202422A**	1.00	0.91	EN(A,D)4X61*24**	*8MPV100	1.01	0.93
EN(A,D)4X61*24**	*9MA*0802120A**	1.00	0.92	EN(A,D,W)4X60*24**	*9MPV125	1.00	0.96
EN(A,D)4X61*24**	*9MA*1002122A**	1.01	0.93	ENH4X60*24**	*8MPV100	1.00	0.96
EN(A,D)4X61*24**	*9MA*1202422A**	1.00	0.92	ENH4X61*24**	MV16J22**B*	1.01	0.93
EN(A,D,W)4X48*21**	*8MX*0701716**	0.99	0.99	EN(A,D,W)4X48*21**	*9MA*0602120A**	0.97	0.93
EN(A,D,W)4X48*21**	*8MX*0902116**	0.99	0.95	ENH4X60*24**	NOMV156E19*	1.00	0.96
EN(A,D,W)4X48*21**	*8MX*1102120**	0.99	0.95	ENH4X48*21**	*9MVX080	0.99	0.95
EN(A,D,W)4X48*21**	*8MV*0901716**	0.99	0.95	EA*4X48*21A*	*9MX*1002116A**	0.97	0.94
EN(A,D,W)4X48*21**	*8MV*1102120**	0.99	0.95	EN(A,D)4X61*24**	*9MX*1002116A**	1.00	0.96
EN(A,D,W)4X48*21**	*9MX*0801716A**	0.98	0.95	EN(A,D)4X61*24**	*9MV*1002116A**	1.00	0.92
EN(A,D,W)4X48*21**	*9MX*0802120A**	0.99	0.95	EHD4X60A**	*9MA*1002120A**	1.00	0.93
EN(A,D,W)4X48*21**	*9MX*1002120A**	0.98	0.94	EN(A,D,W)4X60*24**	OLV112A16A	1.00	1.00
EN(A,D,W)4X48*21**	*9MV*0801716A**	0.98	0.95	EA*4X60*24A*	MV16**21C*	1.00	0.92
EN(A,D,W)4X48*21**	*9MV*0802120A**	0.98	0.94	ED*4X60L**	MV20L24**B*	1.00	0.92
EN(A,D,W)4X48*21**	*9MV*1002120A**	0.98	0.94	EHD4X60A**	MV20**24C*	1.00	0.92
EN(A,D,W)4X48*21**	*9MA*0802120A**	0.97	0.93	EN(A,D,W)4X60*24**	MV16J22**B*	1.00	0.92
EN(A,D,W)4X48*21**	*9MA*1002122A**	0.98	0.92	ENH4X60*24**	*8MPV125	1.00	0.92
EN(A,D,W)4X60*24**	*8MX*0902116**	1.00	0.92	ENH4X61*24**	NOMV156E19*	1.01	0.97
EN(A,D,W)4X60*24**	*8MX*1102120**	1.00	0.92	ENH4X48*21**	*9MVX080	0.99	0.95
EN(A,D,W)4X60*24**	*8MX*1352420**	1.00	0.92	EN(A,D)4X61*24**	*9MVX100	1.01	0.93
EN(A,D,W)4X60*24**	*8MV*1102120**	1.00	0.92	EN(A,D,W)4X48*21**	*9MX*1002116A**	0.98	0.94
EN(A,D,W)4X60*24**	*8MV*1352422**	1.00	0.92	ED*4X60J**	*9MV*1002116A**	1.00	0.96
EN(A,D,W)4X60*24**	*9MX*0802120A**	1.00	0.94	EN(A,D)4X48*24**	*9MA*1002120A**	0.98	0.94
EN(A,D,W)4X60*24**	*9MX*1002120A**	1.00	0.94	ENH4X48*21**	OLV112A16A	0.98	0.98
EN(A,D,W)4X60*24**	*9MX*1202422A**	1.00	0.92	EA*4X48*21A*	-	0.99	0.99
EN(A,D,W)4X60*24**	*9MV*0802120A**	1.00	0.94	EHD4X48A**	-	1.00	1.00
EN(A,D,W)4X60*24**	*9MV*1002120A**	1.00	0.94	EMA4X48D**	-	0.97	0.97
EN(A,D,W)4X60*24**	*9MV*1202422A**	1.00	0.92	EN(A,D)4X61*24**	*8MPV125	1.01	0.93

COOLING Multiplying Factors for other Indoor Combinations

Indoor Cooling Model	Furnace Model	CAPACITY (MBh)	Power (AMPS)	Indoor Cooling Model	Furnace Model	CAPACITY (MBh)	Power (AMPS)
EN(A,D,W)4X60*24**	*9MA*0802120A**	0.99	0.93	EN(A,D,W)4X60*24**	MV20L24**B*	1.00	0.92
EN(A,D,W)4X60*24**	*9MA*1002122A**	1.00	0.94	ENH4X60*24**	*9MPV100	1.00	0.96
EN(A,D,W)4X60*24**	*9MA*1202422A**	0.99	0.91	ENH4X61*24**	MV20L24**B*	1.01	0.93
ENH4X48*21**	*8MX*0701716**	0.99	0.99	EN(A,D,W)4X60*24**	*9MA*0602120A**	0.98	0.94
ENH4X48*21**	*8MX*0902116**	0.99	0.95	ED*4X48J**	*9MVX080	0.99	0.99
ENH4X48*21**	*8MX*1102120**	0.99	0.95	ENH4X60*24**	*9MVX080	1.00	0.96
ENH4X48*21**	*8MX*1352420**	0.99	0.95	EN(A,D,W)4X60*24**	*9MVX100	1.00	0.96
ENH4X48*21**	*8MV*0901716**	0.99	0.95	EA*4X48*24A*	*9MX*1002116A**	0.98	0.95
ENH4X48*21**	*8MV*1102120**	0.99	0.95	EN(A,D,W)4X60*24**	*9MX*1002116A**	1.00	0.96
ENH4X48*21**	*8MV*1352422**	0.99	0.95	ED*4X60L**	*9MV*1002116A**	1.00	0.96
ENH4X48*21**	*9MX*0801716A**	0.98	0.95	EN(A,D,W)4X48*21**	*9MV*1002116A**	0.98	0.95
ENH4X48*21**	*9MX*0802120A**	0.99	0.95	EN(A,D)4X61*24**	*9MA*1002120A**	1.00	0.92
ENH4X48*21**	*9MX*1002120A**	0.98	0.94	ENH4X60*24**	OLV112A16A	1.00	1.00
ENH4X48*21**	*9MX*1202422A**	0.99	0.95	EA*4X48*21A*	MV16**21C*	0.98	0.92
ENH4X48*21**	*9MV*0801716A**	0.98	0.95	EA*4X60*24A*	MV20**24C*	1.00	0.92
ENH4X48*21**	*9MV*0802120A**	0.98	0.94	EHD4X48A**	*8MPV100	1.00	0.96
ENH4X48*21**	*9MV*1002120A**	0.98	0.94	EN(A,D)4X48*24**	-	0.99	0.99
ENH4X48*21**	*9MV*1202422A**	0.98	0.94	EN(A,D)4X61*24**	*9MPV100	1.01	0.97
ENH4X48*21**	*9MA*0802120A**	0.97	0.93	EN(A,D,W)4X60*24**	*9MPV100	1.00	0.96
ENH4X48*21**	*9MA*1002122A**	0.98	0.92	ENH4X60*24**	*9MPV125	1.00	0.96
ENH4X48*21**	*9MA*1202422A**	0.98	0.94	ENH4X61*24**	*9MPV100	1.01	0.97
ENH4X60*24**	*8MX*0701716**	1.00	1.00	ENH4X48*21**	*9MA*0602120A**	0.97	0.93
ENH4X60*24**	*8MX*0902116**	1.00	0.92	ED*4X60J**	*9MVX080	1.00	0.96
ENH4X60*24**	*8MX*1102120**	1.00	0.92	ENH4X60*24**	*9MVX080	1.00	0.96
ENH4X60*24**	*8MX*1352420**	1.00	0.92	EN(A,D,W)4X60*24**	*9MVX100	1.00	0.96
ENH4X60*24**	*8MV*0901716**	1.00	0.96	EA*4X60*21A*	*9MX*1002116A**	0.99	0.95
ENH4X60*24**	*8MV*1102120**	1.00	0.96	ENH4X48*21**	*9MX*1002116A**	0.98	0.94
ENH4X60*24**	*8MV*1352422**	1.00	0.96	EHD4X48A**	*9MV*1002116A**	0.99	0.95
ENH4X60*24**	*9MX*0801716A**	0.99	0.95	EN(A,D,W)4X60*24**	*9MV*1002116A**	1.00	0.96
ENH4X60*24**	*9MX*0802120A**	1.00	0.94	EN(A,D,W)4X48*21**	*9MA*1002120A**	0.98	0.94

COOLING Multiplying Factors for other Indoor Combinations

Indoor Cooling Model	Furnace Model	CAPACITY (MBh)	Power (AMPS)	Indoor Cooling Model	Furnace Model	CAPACITY (MBh)	Power (AMPS)
ENH4X60*24**	*9MX*1002120A**	1.00	0.94	ENH4X61*24**	OLV112A16A	1.00	1.00
ENH4X60*24**	*9MX*1202422A**	1.00	0.92	EA*4X48*24A*	-	0.99	0.99
ENH4X60*24**	*9MV*0801716A**	0.99	0.95	ED*4X48F**	-	0.99	0.99
ENH4X60*24**	*9MV*0802120A**	1.00	0.94	EHD4X48A**	*8MPV125	1.00	0.96
ENH4X60*24**	*9MV*1002120A**	1.00	0.94	EN(A,D)4X48*24**	*8MPV100	0.99	0.95
ENH4X60*24**	*9MV*1202422A**	1.00	0.92	EN(A,D)4X61*24**	*9MPV125	1.01	0.93
ENH4X60*24**	*9MA*0802120A**	0.99	0.93	EN(A,D,W)4X60*24**	*9MPV125	1.00	0.96
ENH4X60*24**	*9MA*1002122A**	1.00	0.94	ENH4X60*24**	MV16J22**B*	1.00	0.92
ENH4X61*24**	*8MX*0701716**	1.01	1.01	ENH4X60*24**	*9MA*0602120A**	0.98	0.94
ENH4X61*24**	*8MX*0902116**	1.01	0.93	EHD4X48A**	*9MVX080	1.00	0.96
ENH4X61*24**	*8MX*1102120**	1.01	0.93	ENH4X61*24**	*9MVX080	1.01	0.97
ENH4X61*24**	*8MX*1352420**	1.01	0.93	ENH4X48*21**	*9MVX100	0.99	0.95
ENH4X61*24**	*8MV*0901716**	1.01	0.97	EA*4X60*24A*	*9MX*1002116A**	0.99	0.95
ENH4X61*24**	*8MV*1102120**	1.01	0.97	ENH4X60*24**	*9MX*1002116A**	1.00	0.96
ENH4X61*24**	*8MV*1352422**	1.01	0.97	EHD4X60A**	*9MV*1002116A**	1.00	0.96
ENH4X61*24**	*9MX*0802120A**	1.00	0.94	EN(A,D,W)4X60*24**	*9MA*1002120A**	0.99	0.95
ENH4X61*24**	*9MX*1002120A**	1.00	0.94	ED*4X48L**	OLV154F20A	1.00	1.00
ENH4X61*24**	*9MX*1202422A**	1.00	0.92	EA*4X48*24A*	MV16**21C*	0.99	0.93
ENH4X61*24**	*9MV*0801716A**	0.99	0.95	ED*4X48J**	-	0.99	0.99
ENH4X61*24**	*9MV*0802120A**	1.00	0.94	EHD4X48A**	*9MPV100	1.00	0.96
ENH4X61*24**	*9MV*1002120A**	1.00	0.94	EN(A,D)4X48*24**	*8MPV125	0.99	0.95
ENH4X61*24**	*9MV*1202422A**	1.00	0.92	EN(A,D)4X61*24**	MV16J22**B*	1.01	0.89
ENH4X61*24**	*9MA*0802120A**	0.99	0.93	EN(A,D,W)4X60*24**	MV16**21C*	1.00	0.92
ENH4X61*24**	*9MA*1002122A**	1.00	0.94	ENH4X60*24**	MV20L24**B*	1.00	0.92
FEM4P48**A*	-	0.99	0.95	ENH4X61*24**	*9MA*1202422A**	0.99	0.91
FEM4P60**A*	-	1.00	0.96	EA*4X48*21A*	*9MA*0602120A**	0.97	0.95
FEM4X48****	-	1.01	0.97	EA*4X48*24A*	*9MA*0602120A**	0.97	0.93
FEM4X60****	-	1.02	0.94	EA*4X60*21A*	*9MA*0602120A**	0.98	0.94
FEM4X60**B*	-	1.00	0.96	EA*4X60*24A*	*9MA*0602120A**	0.98	0.94
FS(M,U)4P48**A*	-	1.01	1.01	ED*4X48F**	*9MA*0602120A**	0.97	0.93

COOLING Multiplying Factors for other Indoor Combinations

Indoor Cooling Model	Furnace Model	CAPACITY (MBh)	Power (AMPS)	Indoor Cooling Model	Furnace Model	CAPACITY (MBh)	Power (AMPS)
FS(M,U)4X48****	-	1.00	1.00	ED*4X48J**	*9MA*0602120A**	0.97	0.95
FS(M,U)4X60**A*	-	1.01	1.01	ED*4X48L**	*9MA*0602120A**	0.97	0.93
FVM4X48****	-	1.00	0.92	ED*4X60J**	*9MA*0602120A**	0.98	0.94
FVM4X60****	-	1.01	0.93	ED*4X60L**	*9MA*0602120A**	0.98	0.94
FXM4X48**A*	-	1.01	0.93	EHD4X48A**	*9MA*0602120A**	0.98	0.94
FXM4X60**A*	-	1.02	0.94	EHD4X60A**	*9MA*0602120A**	0.99	0.95
-	-	-	-	ENH4X61*24**	*9MPV125	1.01	0.97
-	-	-	-	ENH4X61*24**	MV16**21C*	1.00	0.92
-	-	-	-	ENH4X61*24**	MV20**24C*	1.00	0.92
NXA660							
*EN(A,D)4X61*24**	-	1.00	1.00	EN(A,D,W)4X60*24**	*9MA*1202422A**	0.96	0.91
EA*4X60*21A*	*8MX*1102120**	0.96	0.89	ENH4X61*24**	NOMV156E19*	0.97	0.97
EA*4X60*21A*	*8MV*1102120**	0.96	0.89	EN(A,D)4X61*24**	*9MVX100	0.98	0.94
EA*4X60*21A*	*9MX*0802120A**	0.96	0.87	EA*4X60*21A*	MV16**21C*	0.97	0.88
EA*4X60*21A*	*9MV*1002120A**	0.96	0.89	EN(A,D)4X61*24**	MV16J22**B*	0.98	0.91
EA*4X60*21A*	*9MA*1002122A**	0.96	0.88	ENH4X60*24**	MV16J22**B*	0.97	0.9
EA*4X60*24A*	*8MX*1102120**	0.96	0.89	ED*4X60J**	*9MVX080	0.97	0.97
EA*4X60*24A*	*8MX*1352420**	0.96	0.89	ENH4X60*24**	*9MVX080	0.97	0.97
EA*4X60*24A*	*8MV*1102120**	0.96	0.89	EN(A,D,W)4X60*24**	*9MVX100	0.97	0.97
EA*4X60*24A*	*8MV*1352422**	0.96	0.89	ED*4X60L**	OLV154F20A	0.97	0.97
EA*4X60*24A*	*9MX*0802120A**	0.96	0.88	EA*4X60*24A*	-	0.98	0.93
EA*4X60*24A*	*9MX*1002120A**	0.96	0.89	ED*4X60L**	-	0.97	0.97
EA*4X60*24A*	*9MX*1202422A**	0.96	0.91	EHD4X60A**	*9MPV100	0.97	0.97
EA*4X60*24A*	*9MV*1002120A**	0.96	0.89	EN(A,D)4X61*24**	MV20L24**B*	0.98	0.91
EA*4X60*24A*	*9MV*1202422A**	0.96	0.91	EN(A,D,W)4X60*24**	*8MPV125	0.97	0.93
EA*4X60*24A*	*9MA*0802120A**	0.96	0.88	EN(A,D,W)4X60*24**	MV20**24C*	0.96	0.88
EA*4X60*24A*	*9MA*1002122A**	0.96	0.88	ENH4X60*24**	MV20L24**B*	0.97	0.9
EA*4X60*24A*	*9MA*1202422A**	0.96	0.91	ENH4X61*24**	*9MPV100	0.96	0.96
ED*4X60J**	*9MX*0802120A**	0.96	0.87	EA*4X60*24A*	MV16**21C*	0.97	0.88
ED*4X60J**	*9MX*1202422A**	0.96	0.91	EHD4X60A**	*9MPV125	0.97	0.97

COOLING Multiplying Factors for other Indoor Combinations

Indoor Cooling Model	Furnace Model	CAPACITY (MBh)	Power (AMPS)	Indoor Cooling Model	Furnace Model	CAPACITY (MBh)	Power (AMPS)
ED*4X60J**	*9MV*1002120A**	0.96	0.89	EN(A,D)4X61*24**	*9MPV100	0.98	0.94
ED*4X60J**	*9MV*1202422A**	0.96	0.90	EN(A,D,W)4X60*24**	*9MPV100	0.97	0.97
ED*4X60J**	*9MA*1002122A**	0.96	0.88	ENH4X60*24**	*9MPV100	0.96	0.96
ED*4X60J**	*9MA*1202422A**	0.96	0.91	ENH4X61*24**	*9MPV125	0.96	0.96
ED*4X60L**	*8MX*1352420**	0.97	0.93	ENH4X60*24**	*9MVX080	0.97	0.97
ED*4X60L**	*8MV*1352422**	0.97	0.93	EHD4X60A**	OLV154F20A	0.98	0.98
ED*4X60L**	*9MX*0802120A**	0.96	0.88	EA*4X60*24A*	MV20**24C*	0.96	0.88
ED*4X60L**	*9MX*1002120A**	0.96	0.89	ED*4X60L**	*9MPV125	0.97	0.97
ED*4X60L**	*9MX*1202422A**	0.96	0.91	EHD4X60A**	MV16J22**B*	0.97	0.90
ED*4X60L**	*9MA*0802120A**	0.96	0.88	EN(A,D)4X61*24**	*9MPV125	0.98	0.94
ED*4X60L**	*9MA*1002120A**	0.96	0.91	EN(A,D,W)4X60*24**	*9MPV125	0.97	0.97
ED*4X60L**	*9MA*1202422A**	0.96	0.88	ENH4X60*24**	-	0.97	0.97
ED*4X60L**	*9MA*1002122A**	0.96	0.88	ENH4X60*24**	*9MPV125	0.96	0.96
ED*4X60L**	*9MA*1202422A**	0.96	0.91	ENH4X61*24**	MV16J22**B*	0.97	0.90
EHD4X60A**	*8MX*1102120**	0.97	0.90	EHD4X60A**	*9MVX080	0.97	0.97
EHD4X60A**	*8MX*1352420**	0.97	0.93	ENH4X61*24**	*9MVX080	0.97	0.97
EHD4X60A**	*8MV*1102120**	0.97	0.93	EN(A,D,W)4X60*24**	*9MVX100	0.97	0.97
EHD4X60A**	*8MV*1352422**	0.97	0.90	EN(A,D)4X61*24**	OLV154F20A	0.98	0.98
EHD4X60A**	*9MX*0802120A**	0.96	0.88	ED*4X60J**	-	0.97	0.97
EHD4X60A**	*9MX*1002120A**	0.97	0.88	ED*4X60L**	MV20L24**B*	0.98	0.91
EHD4X60A**	*9MX*1202422A**	0.97	0.92	EHD4X60A**	MV20L24**B*	0.97	0.93
EHD4X60A**	*9MV*1002120A**	0.97	0.88	EN(A,D)4X61*24**	MV16**21C*	0.98	0.87
EHD4X60A**	*9MV*1202422A**	0.96	0.91	EN(A,D,W)4X60*24**	MV16J22**B*	0.97	0.90
EHD4X60A**	*9MA*0802120A**	0.96	0.88	ENH4X60*24**	*8MPV100	0.97	0.93
EHD4X60A**	*9MA*1002122A**	0.97	0.90	ENH4X60*24**	MV16**21C*	0.97	0.88
EHD4X60A**	*9MA*1202422A**	0.96	0.91	ENH4X61*24**	MV20L24**B*	0.97	0.90
EN(A,D)4X61*24**	*8MX*1102120**	0.98	0.91	EN(A,D)4X61*24**	*9MVX080	0.99	0.99
EN(A,D)4X61*24**	*8MX*1352420**	0.98	0.91	ENH4X61*24**	*9MVX080	0.97	0.97
EN(A,D)4X61*24**	*8MV*1102120**	0.98	0.94	ENH4X60*24**	*9MVX100	0.97	0.93
EN(A,D)4X61*24**	*8MV*1352422**	0.98	0.91	EN(A,D,W)4X60*24**	OLV154F20A	0.97	0.97

COOLING Multiplying Factors for other Indoor Combinations

Indoor Cooling Model	Furnace Model	CAPACITY (MBh)	Power (AMPS)	Indoor Cooling Model	Furnace Model	CAPACITY (MBh)	Power (AMPS)
EN(A,D)4X61*24**	*9MX*0802120A**	0.97	0.90	ED*4X60J**	*8MPV100	0.97	0.97
EN(A,D)4X61*24**	*9MX*1002120A**	0.98	0.89	EHD4X60A**	-	0.97	0.97
EN(A,D)4X61*24**	*9MX*1202422A**	0.97	0.92	EHD4X60A**	MV16**21C*	0.98	0.87
EN(A,D)4X61*24**	*9MV*0802120A**	0.97	0.87	EN(A,D)4X61*24**	*9MPV100	0.98	0.94
EN(A,D)4X61*24**	*9MV*1002120A**	0.97	0.90	EN(A,D)4X61*24**	MV20**24C*	0.98	0.87
EN(A,D)4X61*24**	*9MV*1202422A**	0.97	0.90	EN(A,D,W)4X60*24**	MV20L24**B*	0.97	0.90
EN(A,D)4X61*24**	*9MA*0802120A**	0.97	0.90	ENH4X60*24**	*8MPV125	0.97	0.93
EN(A,D)4X61*24**	*9MA*1002122A**	0.97	0.90	ENH4X60*24**	MV20**24C*	0.96	0.88
EN(A,D)4X61*24**	*9MA*1202422A**	0.97	0.92	ENH4X61*24**	*9MPV100	0.96	0.96
EN(A,D,W)4X60*24**	*8MX*1102120**	0.97	0.93	EN(A,D)4X61*24**	*9MVX080	0.99	0.99
EN(A,D,W)4X60*24**	*8MX*1352420**	0.97	0.93	ED*4X60L**	*9MVX100	0.97	0.93
EN(A,D,W)4X60*24**	*8MV*1102120**	0.97	0.93	ENH4X60*24**	*9MVX100	0.97	0.93
EN(A,D,W)4X60*24**	*8MV*1352422**	0.97	0.93	ENH4X60*24**	OLV154F20A	0.97	0.97
EN(A,D,W)4X60*24**	*9MX*0802120A**	0.96	0.88	ED*4X60J**	*8MPV125	0.97	0.97
EN(A,D,W)4X60*24**	*9MX*1002120A**	0.96	0.89	EHD4X60A**	*8MPV100	0.97	0.93
EN(A,D,W)4X60*24**	*9MX*1202422A**	0.96	0.91	EHD4X60A**	MV20**24C*	0.97	0.87
EN(A,D,W)4X60*24**	*9MV*1002120A**	0.96	0.88	EN(A,D,W)4X60*24**	-	0.97	0.97
EN(A,D,W)4X60*24**	*9MV*1202422A**	0.96	0.91	EN(A,D,W)4X60*24**	*9MPV100	0.97	0.97
EN(A,D,W)4X60*24**	*9MA*0802120A**	0.96	0.87	ENH4X60*24**	*9MPV100	0.96	0.96
EN(A,D,W)4X60*24**	*9MA*1002122A**	0.96	0.88	ENH4X61*24**	-	0.98	0.98
ENH4X60*24**	*8MX*1102120**	0.97	0.93	EN(A,D,W)4X60*24**	*9MVX080	0.97	0.97
ENH4X60*24**	*8MX*1352420**	0.97	0.93	EHD4X60A**	*9MVX100	0.97	0.93
ENH4X60*24**	*8MV*1102120**	0.97	0.93	ENH4X61*24**	*9MVX100	0.97	0.97
ENH4X60*24**	*8MV*1352422**	0.97	0.93	ENH4X61*24**	OLV154F20A	0.97	0.97
ENH4X60*24**	*9MX*0802120A**	0.96	0.88	ED*4X60J**	*9MPV100	0.97	0.97
ENH4X60*24**	*9MX*1002120A**	0.96	0.89	EHD4X60A**	*8MPV125	0.97	0.93
ENH4X60*24**	*9MX*1202422A**	0.96	0.91	ENH4X60A**	*8MPV125	0.97	0.93
ENH4X60*24**	*9MV*1002120A**	0.96	0.88	EN(A,D)4X61*24**	*8MPV100	0.98	0.94
ENH4X60*24**	*9MV*1202422A**	0.96	0.88	EN(A,D,W)4X60*24**	*8MPV100	0.97	0.93
ENH4X60*24**	*9MA*0802120A**	0.96	0.91	EN(A,D,W)4X60*24**	*9MPV125	0.97	0.97
ENH4X60*24**	*9MA*1002122A**	0.96	0.87	ENH4X60*24**	*9MPV125	0.97	0.96
ENH4X60*24**	*9MA*1202422A**	0.96	0.87	ENH4X60*24**	*9MPV125	0.96	0.96

COOLING Multiplying Factors for other Indoor Combinations

Indoor Cooling Model	Furnace Model	CAPACITY (MBh)	Power (AMPS)	Indoor Cooling Model	Furnace Model	CAPACITY (MBh)	Power (AMPS)
ENH4X60*24**	*9MA*1002122A**	0.96	0.88	ENH4X61*24**	*8MPV100	0.97	0.93
ENH4X61*24**	*8MX*1102120**	0.97	0.93	EN(A,D,W)4X60*24**	*9MVX080	0.97	0.97
ENH4X61*24**	*8MX*1352420**	0.97	0.93	EN(A,D)4X61*24**	*9MVX100	0.98	0.94
ENH4X61*24**	*8MV*1102120**	0.97	0.93	ENH4X61*24**	*9MVX100	0.97	0.97
ENH4X61*24**	*8MV*1352422**	0.97	0.93	EA*4X60*21A*	-	0.96	0.89
ENH4X61*24**	*9MX*0802120A**	0.96	0.88	ED*4X60J**	MV16J22**B*	0.97	0.90
ENH4X61*24**	*9MX*1202422A**	0.96	0.91	EN(A,D)4X61*24**	*8MPV125	0.98	0.94
ENH4X61*24**	*9MV*0802120A**	0.96	0.88	EN(A,D)4X61*24**	*9MPV125	0.98	0.94
ENH4X61*24**	*9MV*1202422A**	0.96	0.91	EN(A,D,W)4X60*24**	MV16**21C*	0.97	0.88
ENH4X61*24**	*9MA*1002122A**	0.97	0.88	ENH4X61*24**	*8MPV125	0.97	0.93
FEM4P60**A*	-	0.97	0.97	ENH4X60*24**	*9MA*1202422A**	0.96	0.91
FEM4X60***	-	0.99	0.91	ENH4X61*24**	*9MA*1202422A**	0.96	0.91
FEM4X60**B*	-	0.97	0.97	EHD4X60A**	NOMV156E19*	0.97	0.93
FS(M,U)4X60**A*	-	0.98	0.98	EN(A,D)4X61*24**	NOMV156E19*	0.98	0.94
FVM4X60***	-	0.98	0.91	EN(A,D,W)4X60*24**	NOMV156E19*	0.97	0.97
FXM4X60**A*	-	0.99	0.91	ENH4X60*24**	NOMV156E19*	0.97	0.97
-	-	-	-	ENH4X61*24**	*9MPV125	0.96	0.96
-	-	-	-	ENH4X61*24**	MV16**21C*	0.97	0.88
-	-	-	-	ENH4X61*24**	MV20**24C*	0.97	0.88
NXA661							
*EN(A,D)4X61*24**	-	1.00	1.00	ENH4X60*24**	*9MA*1202422A**	0.97	0.97
EA*4X60*21A*	*8MX*1102120**	0.97	0.92	ED*4X60J**	*9MVX080	0.98	1.03
EA*4X60*21A*	*8MV*1102120**	0.97	0.94	EN(A,D,W)4X60*24**	*9MVX100	0.98	1.03
EA*4X60*21A*	*9MX*0802120A**	0.97	0.94	EA*4X60*24A*	-	0.99	0.98
EA*4X60*21A*	*9MV*1002120A**	0.97	0.94	EN(A,D)4X61*24**	MV20L24**B*	0.98	0.98
EA*4X60*21A*	*9MA*1002122A**	0.97	0.94	ENH4X60*24**	*9MPV100	0.97	0.97
EA*4X60*24A*	*8MX*1102120**	0.97	0.92	EHD4X60A**	*9MVX080	0.98	1.03
EA*4X60*24A*	*8MX*1352420**	0.97	0.92	ENH4X60*24**	*9MVX080	0.98	1.03
EA*4X60*24A*	*8MV*1102120**	0.97	0.94	EN(A,D,W)4X60*24**	*9MVX100	0.98	1.03
EA*4X60*24A*	*8MV*1352422**	0.97	0.92	EHD4X60A**	OLV154F20A	0.98	1.03

COOLING Multiplying Factors for other Indoor Combinations

Indoor Cooling Model	Furnace Model	CAPACITY (MBh)	Power (AMPS)	Indoor Cooling Model	Furnace Model	CAPACITY (MBh)	Power (AMPS)
EA*4X60*24A*	*9MX*0802120A**	0.97	0.94	EA*4X60*24A*	MV16**21C*	0.98	0.93
EA*4X60*24A*	*9MX*1002120A**	0.98	0.94	ED*4X60L**	*9MPV125	0.98	1.03
EA*4X60*24A*	*9MX*1202422A**	0.97	0.97	EHD4X60A**	*9MPV125	0.98	1.03
EA*4X60*24A*	*9MV*1002120A**	0.97	0.94	EN(A,D)4X61*24**	*9MPV100	0.98	1.03
EA*4X60*24A*	*9MV*1202422A**	0.97	0.97	EN(A,D,W)4X60*24**	*9MPV125	0.98	1.03
EA*4X60*24A*	*9MA*0802120A**	0.97	0.93	ENH4X60*24**	*8MPV100	0.98	1.03
EA*4X60*24A*	*9MA*1002122A**	0.97	0.94	ENH4X60*24**	*9MPV125	0.97	0.97
EA*4X60*24A*	*9MA*1202422A**	0.97	0.97	ENH4X61*24**	MV16J22**B*	0.98	0.98
ED*4X60J**	*9MX*0802120A**	0.97	0.94	EA*4X60*24A*	MV20**24C*	0.98	0.93
ED*4X60J**	*9MX*1202422A**	0.97	0.97	EHD4X60A**	MV16J22**B*	0.98	0.98
ED*4X60J**	*9MV*1002120A**	0.97	0.94	EN(A,D)4X61*24**	*9MPV125	0.98	1.03
ED*4X60J**	*9MV*1202422A**	0.97	0.97	EN(A,D,W)4X60*24**	MV16J22**B*	0.98	0.98
ED*4X60J**	*9MA*1002122A**	0.97	0.94	ENH4X60*24**	MV16**21C*	0.98	0.93
ED*4X60J**	*9MA*1202422A**	0.97	0.97	ENH4X61*24**	MV20L24**B*	0.98	0.98
ED*4X60L**	*8MX*1352420**	0.98	0.98	ENH4X61*24**	*9MVX080	0.98	1.03
ED*4X60L**	*8MV*1352422**	0.98	0.98	EN(A,D)4X61*24**	OLV154F20A	0.98	1.03
ED*4X60L**	*9MX*0802120A**	0.97	0.94	ED*4X60J**	-	0.98	1.03
ED*4X60L**	*9MX*1002120A**	0.98	0.94	ED*4X60L**	MV20L24**B*	0.98	0.98
ED*4X60L**	*9MX*1202422A**	0.97	0.97	EHD4X60A**	MV20L24**B*	0.98	0.98
ED*4X60L**	*9MV*1002120A**	0.97	0.94	EN(A,D)4X61*24**	MV16**21C*	1.00	0.94
ED*4X60L**	*9MV*1202422A**	0.97	0.97	EN(A,D,W)4X60*24**	MV20L24**B*	0.98	0.98
ED*4X60L**	*9MA*0802120A**	0.97	0.93	ENH4X60*24**	*8MPV125	0.98	1.03
ED*4X60L**	*9MA*1002122A**	0.97	0.94	ENH4X60*24**	MV20**24C*	0.98	0.93
ED*4X60L**	*9MA*1202422A**	0.97	0.97	ENH4X61*24**	*9MPV100	0.97	0.97
EHD4X60A**	*8MX*1102120**	0.98	0.98	EN(A,D)4X61*24**	*9MVX080	0.98	1.03
EHD4X60A**	*8MX*1352420**	0.98	0.98	ENH4X61*24**	*9MVX080	0.98	1.03
EHD4X60A**	*8MV*1102120**	0.98	0.98	ENH4X60*24**	*9MVX100	0.98	1.03
EHD4X60A**	*8MV*1352422**	0.98	0.98	EN(A,D,W)4X60*24**	OLV154F20A	0.98	1.03
EHD4X60A**	*9MX*0802120A**	0.98	0.94	ED*4X60J**	*8MPV100	0.98	1.03
EHD4X60A**	*9MX*1002120A**	0.98	0.94	EHD4X60A**	-	0.98	1.03

COOLING Multiplying Factors for other Indoor Combinations

Indoor Cooling Model	Furnace Model	CAPACITY (MBh)	Power (AMPS)	Indoor Cooling Model	Furnace Model	CAPACITY (MBh)	Power (AMPS)
EHD4X60A**	*9MX*1202422A**	0.98	0.98	EHD4X60A**	MV16**21C*	0.99	0.94
EHD4X60A**	*9MV*1002120A**	0.98	0.94	EN(A,D)4X61*24**	MV20**24C*	0.99	0.94
EHD4X60A**	*9MV*1202422A**	0.98	0.94	EN(A,D,W)4X60*24**	*9MPV100	0.98	1.03
EHD4X60A**	*9MA*0802120A**	0.97	0.94	ENH4X60*24**	*9MPV100	0.97	0.97
EHD4X60A**	*9MA*1002122A**	0.98	0.93	ENH4X61*24**	-	0.98	0.98
EHD4X60A**	*9MA*1202422A**	0.98	0.98	ENH4X61*24**	*9MPV125	0.97	0.97
EN(A,D)4X61*24**	*8MX*1102120**	0.98	0.98	EN(A,D)4X61*24**	*9MVX080	0.98	1.03
EN(A,D)4X61*24**	*8MX*1352420**	0.98	0.98	ED*4X60L**	*9MVX100	0.98	1.03
EN(A,D)4X61*24**	*8MV*1102120**	0.98	0.98	ENH4X60*24**	*9MVX100	0.98	1.03
EN(A,D)4X61*24**	*8MV*1352422**	0.98	0.98	ENH4X60*24**	OLV154F20A	0.98	1.03
EN(A,D)4X61*24**	*9MX*0802120A**	0.98	0.93	ED*4X60J**	*8MPV125	0.98	1.03
EN(A,D)4X61*24**	*9MX*1002120A**	0.99	0.95	EHD4X60A**	*8MPV100	0.98	1.03
EN(A,D)4X61*24**	*9MX*1202422A**	0.99	0.95	EHD4X60A**	MV20**24C*	0.98	0.93
EN(A,D)4X61*24**	*9MA*0802120A**	0.98	0.93	EN(A,D)4X61*24**	*9MPV125	0.98	1.03
EN(A,D)4X61*24**	*9MA*1002122A**	0.99	0.94	EN(A,D,W)4X60*24**	-	0.99	1.03
EN(A,D)4X61*24**	*9MA*1202422A**	0.99	0.95	EN(A,D,W)4X60*24**	*9MPV125	0.98	1.03
EN(A,D)4X61*24**	*8MX*1102120**	0.98	0.98	EHD4X60A**	*9MVX080	0.98	1.03
EN(A,D)4X61*24**	*8MX*1352420**	0.98	0.98	ENH4X61*24**	*9MVX100	0.98	1.03
EN(A,D)4X61*24**	*8MV*1102120**	0.98	0.98	ENH4X61*24**	OLV154F20A	0.98	1.03
EN(A,D)4X61*24**	*8MV*1352422**	0.97	0.94	ED*4X60J**	*9MPV100	0.98	1.03
EN(A,D)4X61*24**	*9MX*0802120A**	0.98	0.94	EHD4X60A**	*8MPV125	0.98	1.03
EN(A,D)4X61*24**	*9MX*1002120A**	0.97	0.97	EN(A,D)4X61*24**	*8MPV100	0.98	0.98
EN(A,D)4X61*24**	*9MX*1202422A**	0.97	0.94	EN(A,D)4X61*24**	*8MPV100	0.98	0.98
EN(A,D)4X61*24**	*8MX*1102120**	0.98	0.98	EN(A,D,W)4X60*24**	*8MPV100	0.98	0.98
EN(A,D)4X61*24**	*8MX*1352420**	0.98	0.98	EN(A,D,W)4X60*24**	MV16**21C*	0.98	0.93
EN(A,D)4X61*24**	*8MV*1102120**	0.97	0.93	ENH4X60*24**	MV16J22**B*	0.98	0.98
EN(A,D)4X61*24**	*8MV*1352422**	0.97	0.92	ENH4X61*24**	*8MPV125	0.98	1.03

COOLING Multiplying Factors for other Indoor Combinations

Indoor Cooling Model	Furnace Model	CAPACITY (MBh)	Power (AMPS)	Indoor Cooling Model	Furnace Model	CAPACITY (MBh)	Power (AMPS)
EN(A,D,W)4X60*24**	*9MA*1202422A**	0.97	0.97	ENH4X61*24**	MV20**24C*	0.98	0.93
ENH4X60*24**	*8MX*1102120**	0.98	0.98	EN(A,D,W)4X60*24**	*9MVX080	0.98	1.03
ENH4X60*24**	*8MX*1352420**	0.98	0.98	EN(A,D)4X61*24**	*9MVX100	0.98	1.03
ENH4X60*24**	*8MV*1102120**	0.98	0.98	ENH4X61*24**	*9MVX100	0.98	1.03
ENH4X60*24**	*8MV*1352422**	0.98	0.98	EA*4X60*21A*	-	0.98	0.97
ENH4X60*24**	*9MX*0802120A**	0.97	0.94	ED*4X60J**	MV16J22**B*	0.98	0.98
ENH4X60*24**	*9MX*1002120A**	0.98	0.94	EHD4X60A**	*9MPV100	0.98	1.03
ENH4X60*24**	*9MX*1202422A**	0.97	0.97	EN(A,D)4X61*24**	*8MPV125	0.98	0.98
ENH4X60*24**	*9MV*1002120A**	0.97	0.94	EN(A,D,W)4X60*24**	*8MPV125	0.98	1.03
ENH4X60*24**	*9MV*1202422A**	0.97	0.97	EN(A,D,W)4X60*24**	MV20**24C*	0.98	0.93
ENH4X60*24**	*9MA*0802120A**	0.97	0.93	ENH4X60*24**	MV20L24**B*	0.98	0.88
ENH4X60*24**	*9MA*1002122A**	0.97	0.92	ENH4X61*24**	*9MPV100	0.97	0.97
ENH4X61*24**	*8MX*1102120**	0.98	0.98	ENH4X60*24**	*9MVX080	0.98	1.03
ENH4X61*24**	*8MX*1352420**	0.98	0.98	EN(A,D)4X61*24**	*9MVX100	0.98	1.03
ENH4X61*24**	*8MV*1102120**	0.98	0.98	ED*4X60L**	OLV154F20A	0.98	1.03
ENH4X61*24**	*8MV*1352422**	0.98	0.98	EA*4X60*21A*	MV16**21C*	0.98	0.94
ENH4X61*24**	*9MX*0802120A**	0.97	0.94	ED*4X60L**	-	0.98	1.03
ENH4X61*24**	*9MX*1202422A**	0.97	0.97	EN(A,D)4X61*24**	*9MPV100	0.98	1.03
ENH4X61*24**	*9MV*0802120A**	0.97	0.92	EN(A,D)4X61*24**	MV16J22**B*	0.98	0.98
ENH4X61*24**	*9MV*1002120A**	0.98	0.94	EN(A,D,W)4X60*24**	*9MPV100	0.98	1.03
ENH4X61*24**	*9MV*1202422A**	0.97	0.97	ENH4X60*24**	-	0.98	1.03
ENH4X61*24**	*9MA*1002122A**	0.98	0.93	ENH4X61*24**	*9MPV125	0.97	0.97
FEM4P60**A*	-	0.97	0.97	ENH4X61*24**	*9MA*1202422A**	0.98	0.98
FEM4X60***	-	1.01	1.01	EHD4X60A**	NOMV156E19*	0.98	1.03
FEM4X60**B*	-	0.97	0.97	EN(A,D)4X61*24**	NOMV156E19*	0.98	1.03
FS(M,U)4X60**A*	-	0.99	1.03	EN(A,D,W)4X60*24**	NOMV156E19*	0.97	1.02
FVM4X60****	-	0.99	0.95	ENH4X60*24**	NOMV156E19*	0.97	1.02
FXM4X60**A*	-	1.00	1.00	ENH4X61*24**	NOMV156E19*	0.98	1.03